

RVL2398

FIRECLAY FARMHOUSE SINK

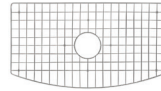
RUVATI[®]
SPECIFICATION SHEET

MATERIAL

- True Italian Fireclay - Made in ITALY.
- 1-inch thick solid fireclay.
- Fired at 2900F for extreme strength.

FEATURES

- Large deep bowl.
- Rounded inside corners.
- Glossy enamel surface resistant to stains and scratches.



COLOR OPTIONS

BK: Glossy Black

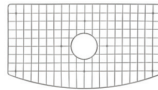
BS: Biscuit

WH: White

IN THE BOX



Basket Strainer
[RVA1039ST]



Rinse Grid
[RVA62398]

NOMINAL DIMENSIONS

Exterior: 32-3/4" (wide) x 19-1/4" (front-to-back)
Interior Bowl: 30-3/4" (wide) x 17-1/4" (front-to-back)
Bowl Depth: 8-3/4"
Minimum Cabinet Size: 36" wide
Drain Hole Size: 3 1/2"

Installation Type:
Farmhouse

Inside Corners:
Rounded

Drain Location:
Center

RUVATI USA
www.ruvati.com

Phone: 1.855.478.8284
Email: support@ruvati.com

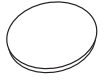
OPTIONAL ACCESSORIES (SOLD SEPARATELY)



Deep Basket
Disposal Flange
[RVA1049ST]

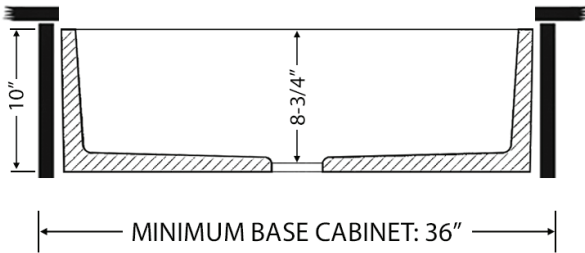
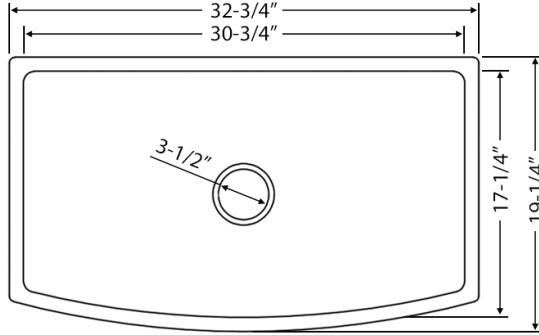


Deep Basket
Disposal Flange/Stopper
[RVA1052ST]



Drain Cover
[RVA1035]

DIMENSIONS



SCAN TO REGISTER YOUR WARRANTY

or visit
www.ruvati.com/register

RUVATI USA
www.ruvati.com

Phone: 1.855.478.8284
Email: support@ruvati.com