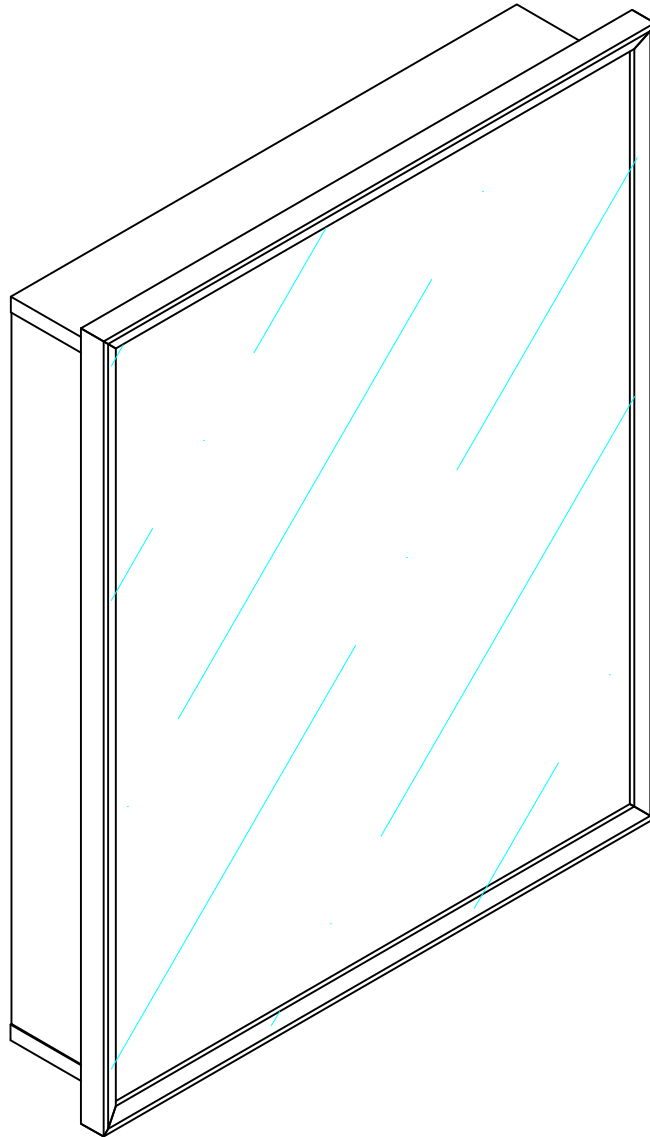


HB EZON

Reno Series Mirror Medicine Cabinet

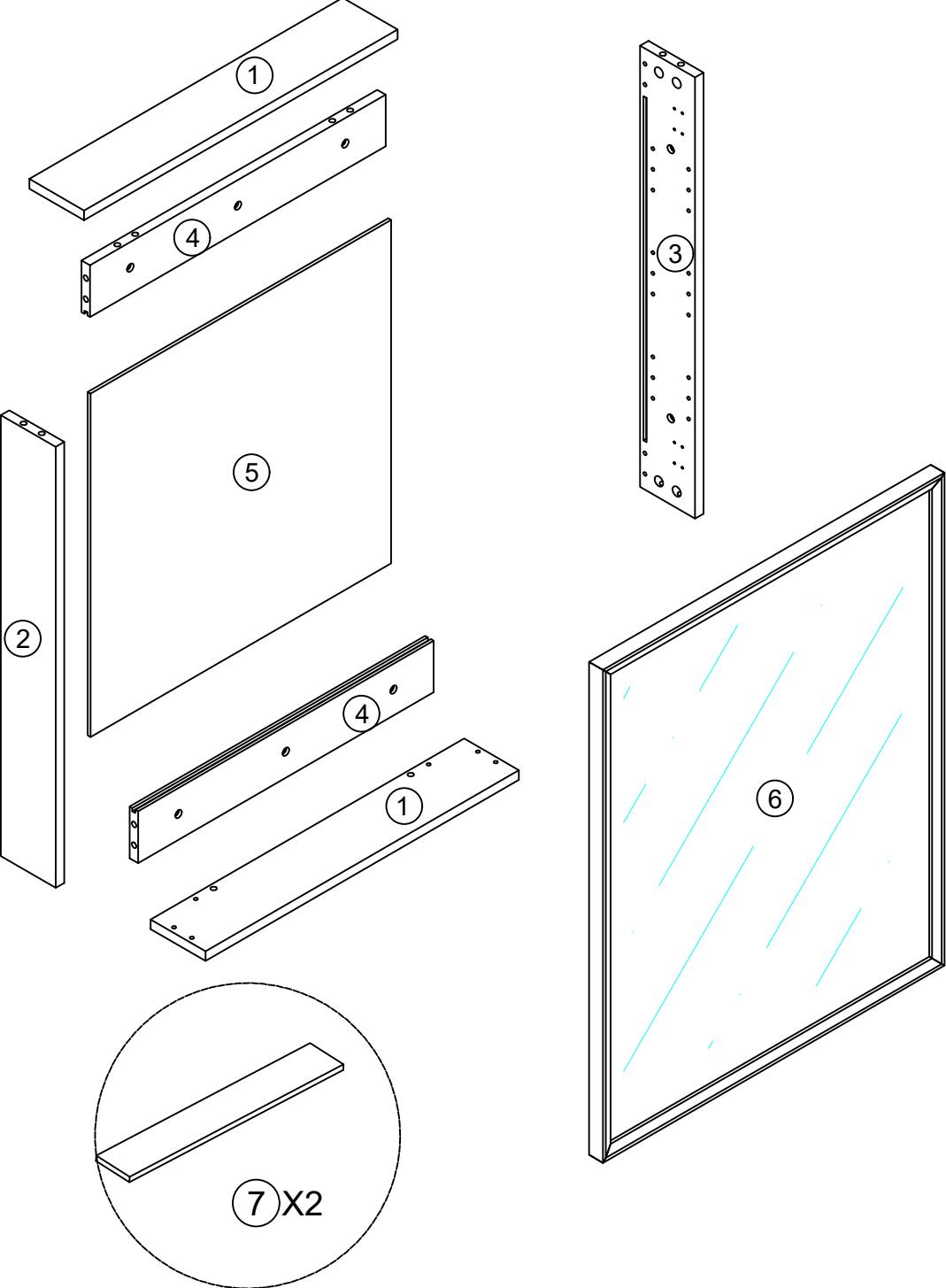
SKU#: RENO-1624-OAK

SIZE: 16"Wx24"Hx5"D (SMALL)



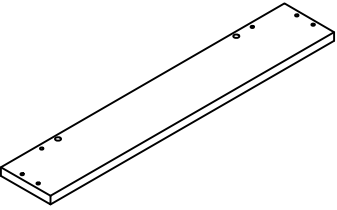
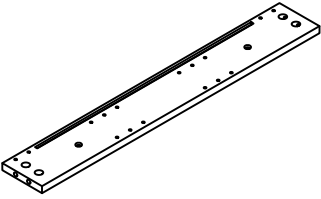
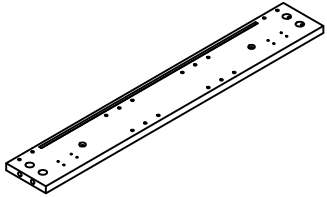
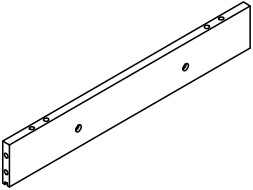
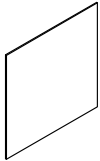
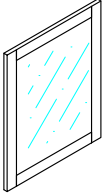
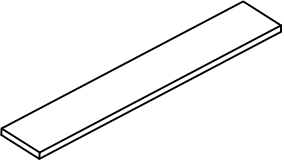



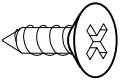
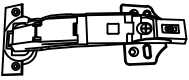
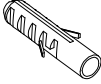

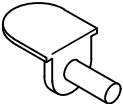

Installation Manual

Exploded Diagram



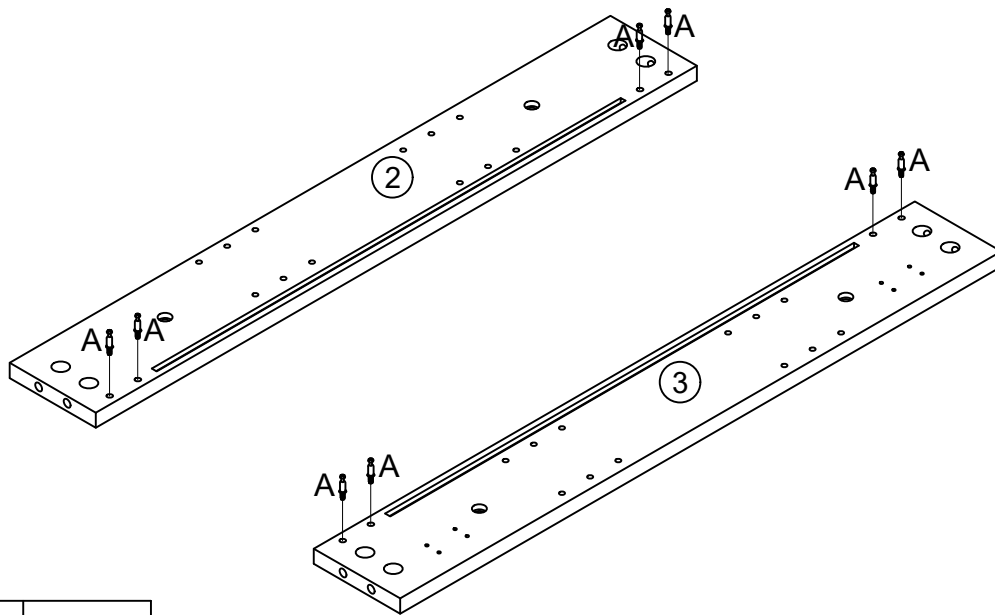
Assembling Instruction

Attention: Do not tighten the screws until all of them are in right positions

 <p>Top/Bottom Panel ① X2</p>	 <p>Side Panel ② X1</p>	 <p>Hinge Side Panel ③ X1</p>
 <p>Rear Support Rails ④ X2</p>	 <p>Back Panel ⑤ X1</p>	 <p>Mirror Door ⑥ X1</p>
 <p>Cabinet Shelves ⑦ X3</p>		
<p>A</p>  <p>Connector Screws (20 + 2 PCS)</p>	<p>B</p>  <p>Locking Screws (20 + 2 PCS)</p>	<p>C</p>  <p>Wooden Dowels (4 + 1 PCS)</p>
<p>D</p>  <p>Self-Tapping Screws (12 + 2 PCS)</p>	<p>E</p>  <p>Soft-Close Hinges (2 PCS)</p>	<p>F</p>  <p>Plastic Wall Anchors (4 PCS)</p>
<p>G</p>  <p>Mounting Screws for Wall Anchors (4 PCS)</p>	<p>H</p>  <p>Shelf Pins (8 PCS)</p>	<p>I</p>  <p>Screw Hole Covers (16 + 2 PCS)</p>

Step:1.1

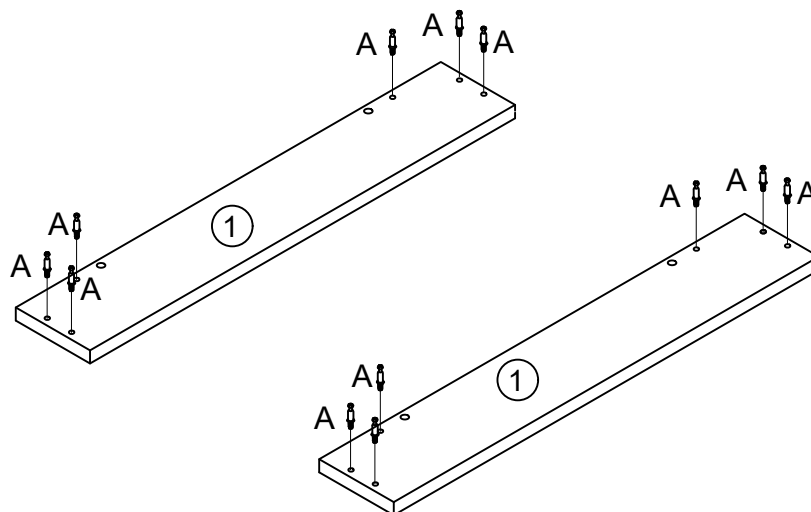
Insert connector screws (A) into the pre-drilled holes on the side panels ②, ③



A x8PCS

Step:1.2

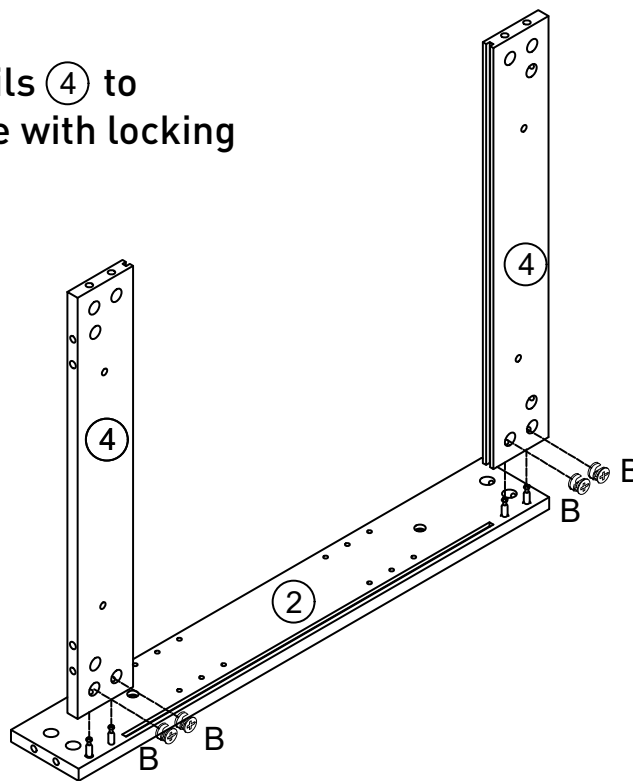
Insert connector screws (A) into the pre-drilled holes on the top/bottom panel ①



A x12PCS

Step:2

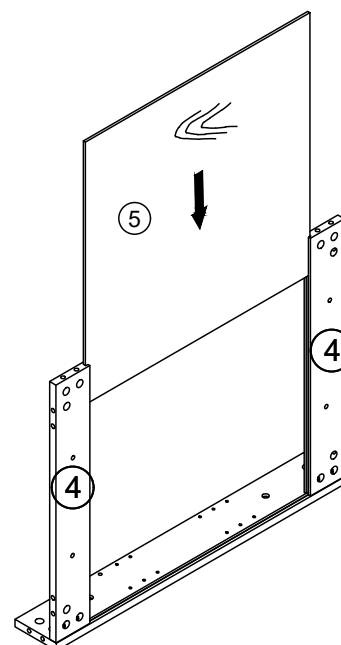
Connect the rear support rails ④ to the side panel ② and secure with locking screws (B).



B x4PCS

Step:3

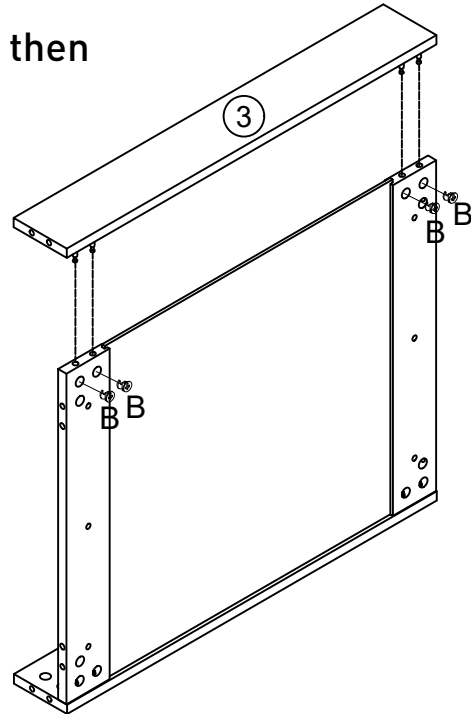
Slide the back panel ⑤ between the rear support rails ④ along the guide grooves.



Note: Ensure the grain direction of panel ⑤ is the same as that of rails ④ .

Step:4

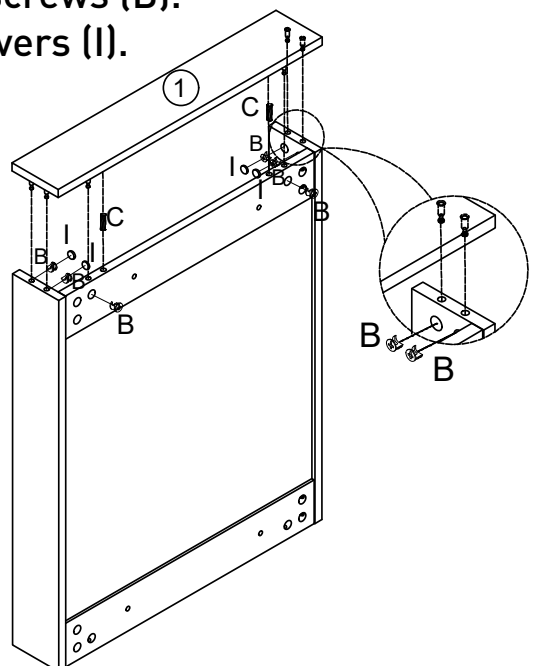
Connect side panel ③ to the structure, then secure with locking screws (B).



B x4PCS

Step:5

Connect the top panel ① to the frame using wooden dowels (C), then secure with locking screws (B).
Cover screw holes with screw hole covers (I).



I x 4PCS



C x 2PCS

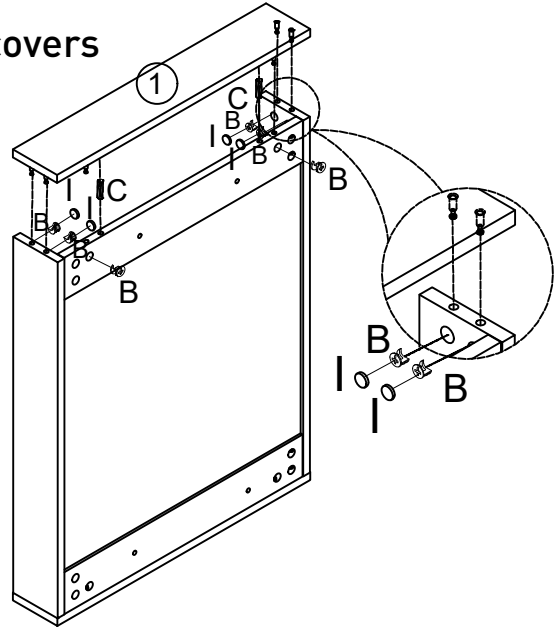





B x6PCS

Step:6

Connect the bottom panel ① to the frame using wooden dowels (C), then secure with locking screws (B).

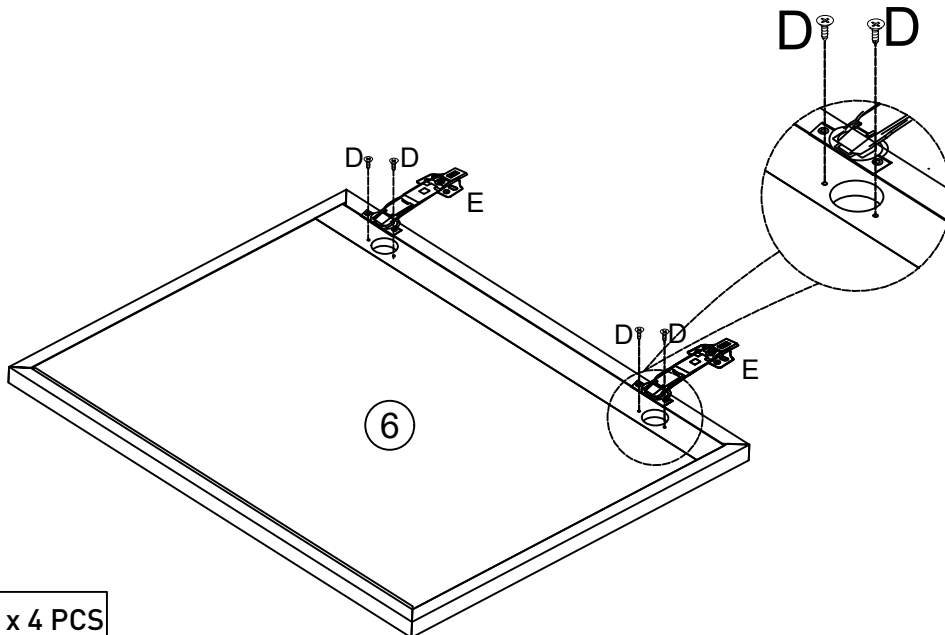
Cover screw holes with screw hole covers (I).

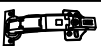



	I x 4PCS
	C x 2PCS
	B x 6PCS

Step:7

Install the hinges (E) onto the mirror door ⑥ using screws (D).



	E x 4 PCS
	D x 4 PCS

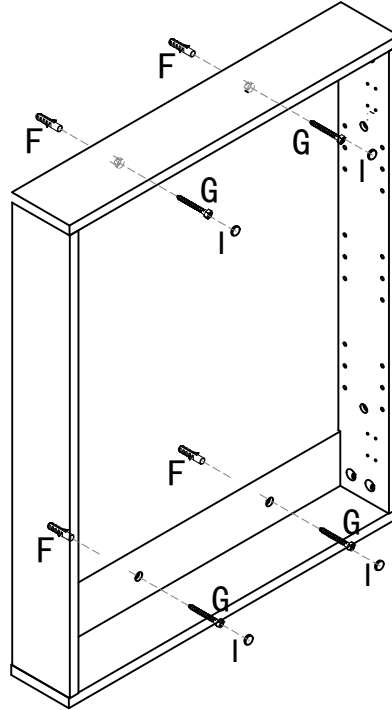
Installation Instructions




Wall Mount

Step:8.1

Wall Mount Installation

Drill holes in the wall, install wall anchors (F), then mount the cabinet using screws (G).



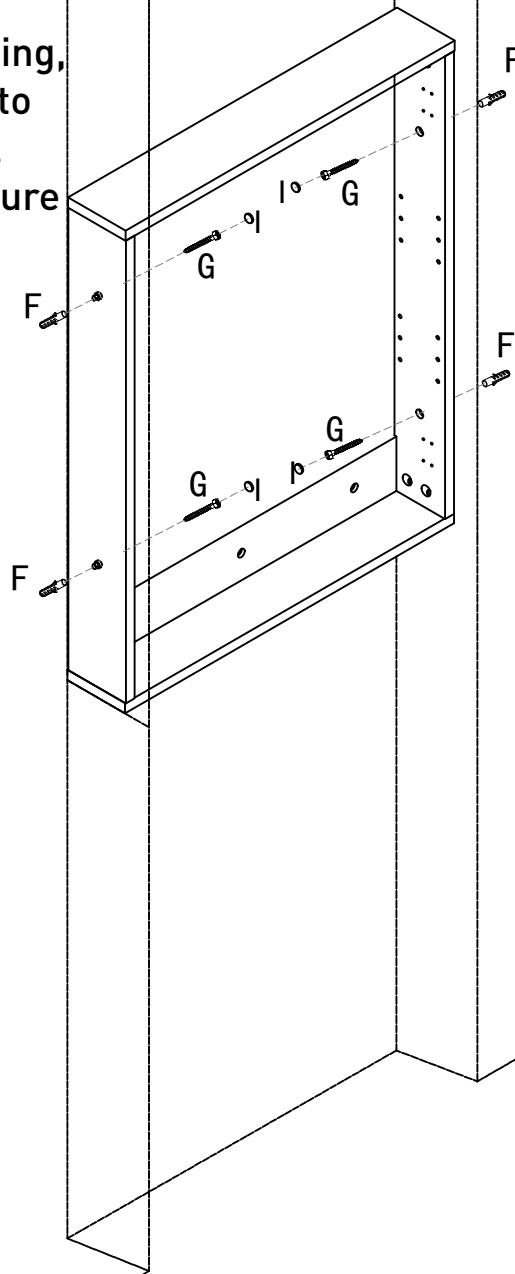
	I x 4PCS
	F x 4PCS
	G x 4PCS




Recessed Mount

Step:8.2

Recessed Mount Installation

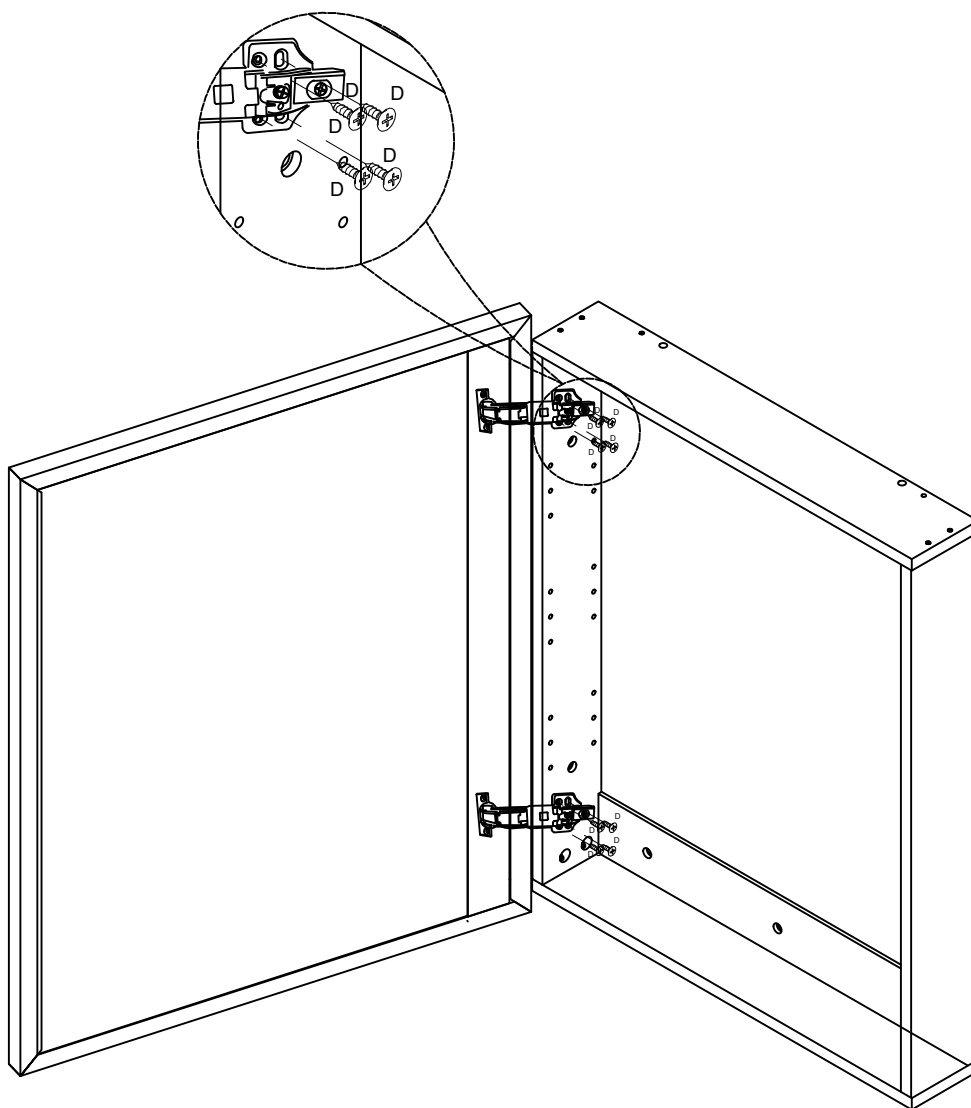
Cut a recessed opening, insert the cabinet into the wall, install wall anchors (F), and secure with mounting screws (G).



	1 x 4PCS
	Fx 4PCS
	Gx4PCS

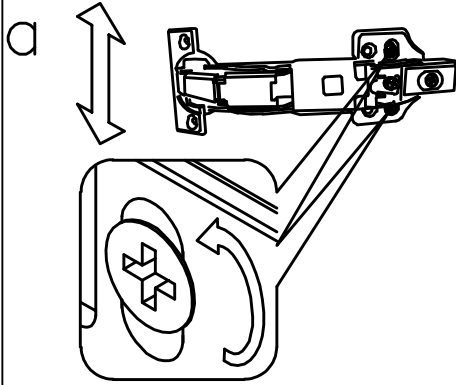
Step:9

Attach the mirror door ⑥ to the cabinet using hinges (E), and secure with screws (D).



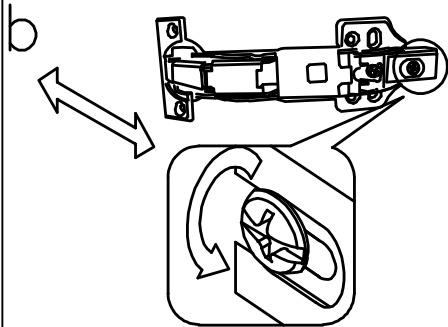
D x 8 PCS

Step:10



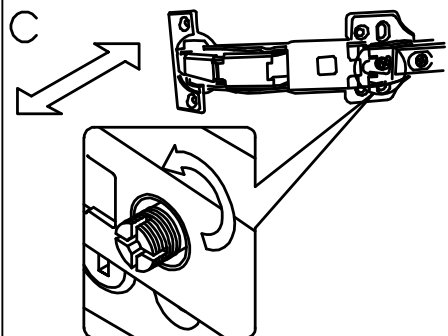
Vertical adjustment:

Move the hinge up or down to adjust door height.



Horizontal adjustment:

Turn the screw to shift the door left or right.

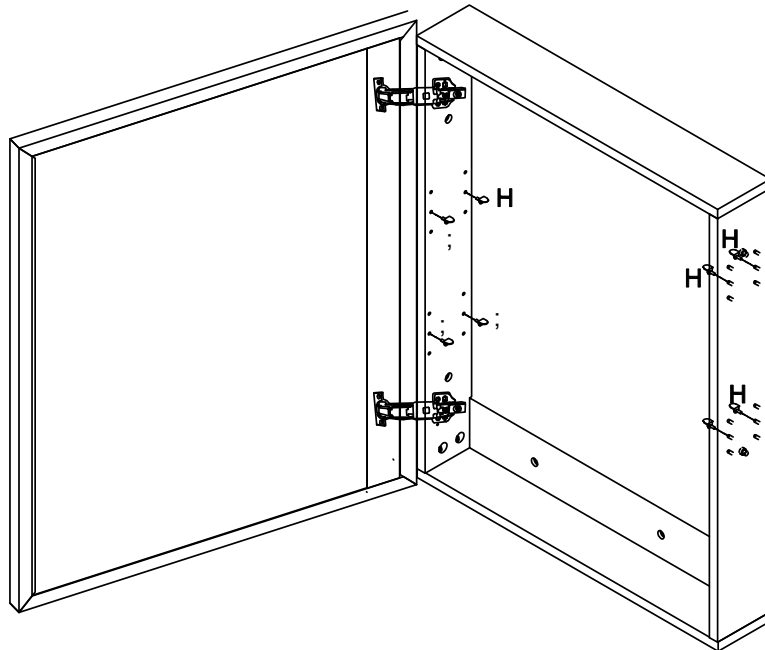


Depth adjustment:

Turn the screw to move the door in or out.

Step:11

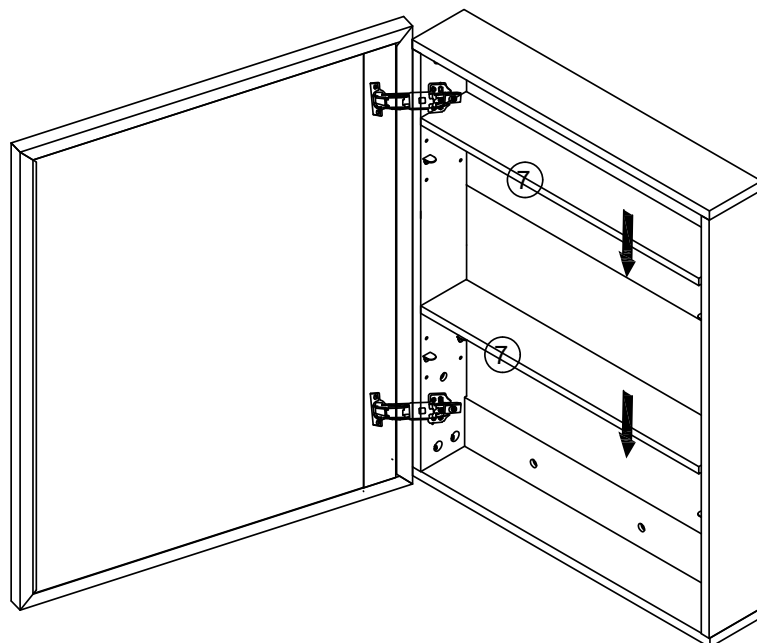
Insert shelf pins (H) into the pre-drilled holes inside the cabinet.



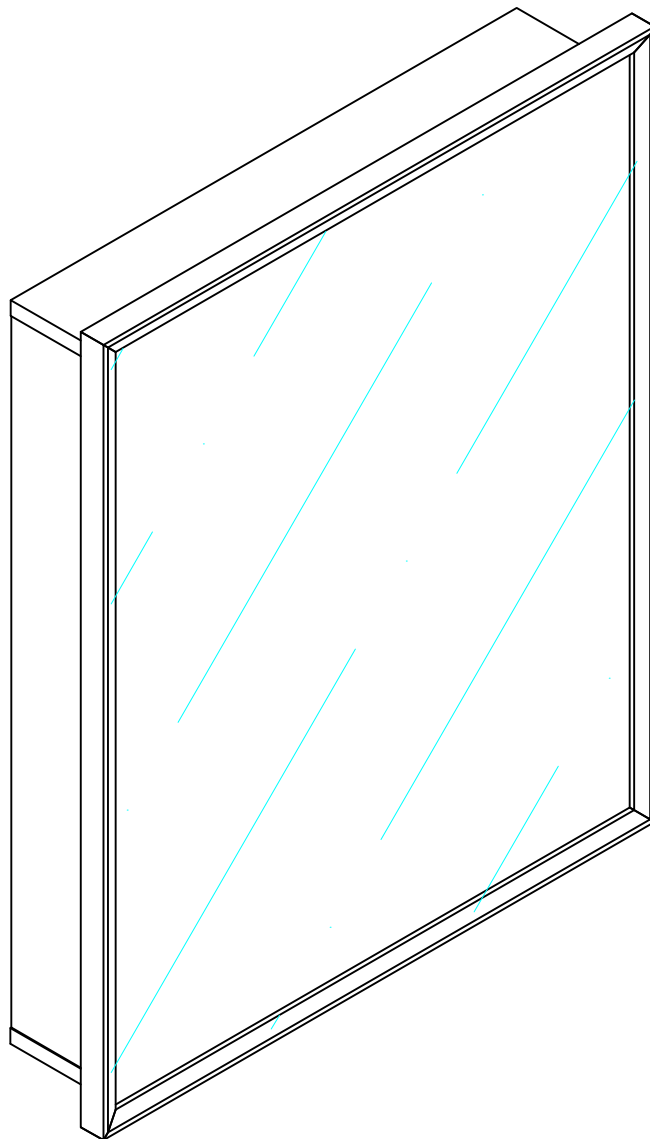
H x 8PCS

Step:12

Place the cabinet shelves (7) onto the shelf pins (H).



Assembly complete. Your mirror cabinet is ready for use.



Care & Maintenance

Keep the cabinet body dry to prevent warping or moisture damage.

Wipe the mirror and wooden surfaces with a soft, damp cloth, then dry immediately with a clean towel.

Avoid prolonged exposure to high humidity or direct sunlight.

Do not use harsh chemicals, abrasive pads, or ammonia-based cleaners.

Periodically check and tighten all screws and hardware.

Do not overload the shelves beyond their intended weight limit.

Warranty Information

Your HBEZON wood medicine cabinet is backed by a 1-year limited warranty from the date of purchase. This warranty covers manufacturing defects and hardware issues under normal residential use.

For assistance or service, please contact us at:



cs@hbezon.com

We are here to assist and typically respond within 24 hours.