

lawn mower

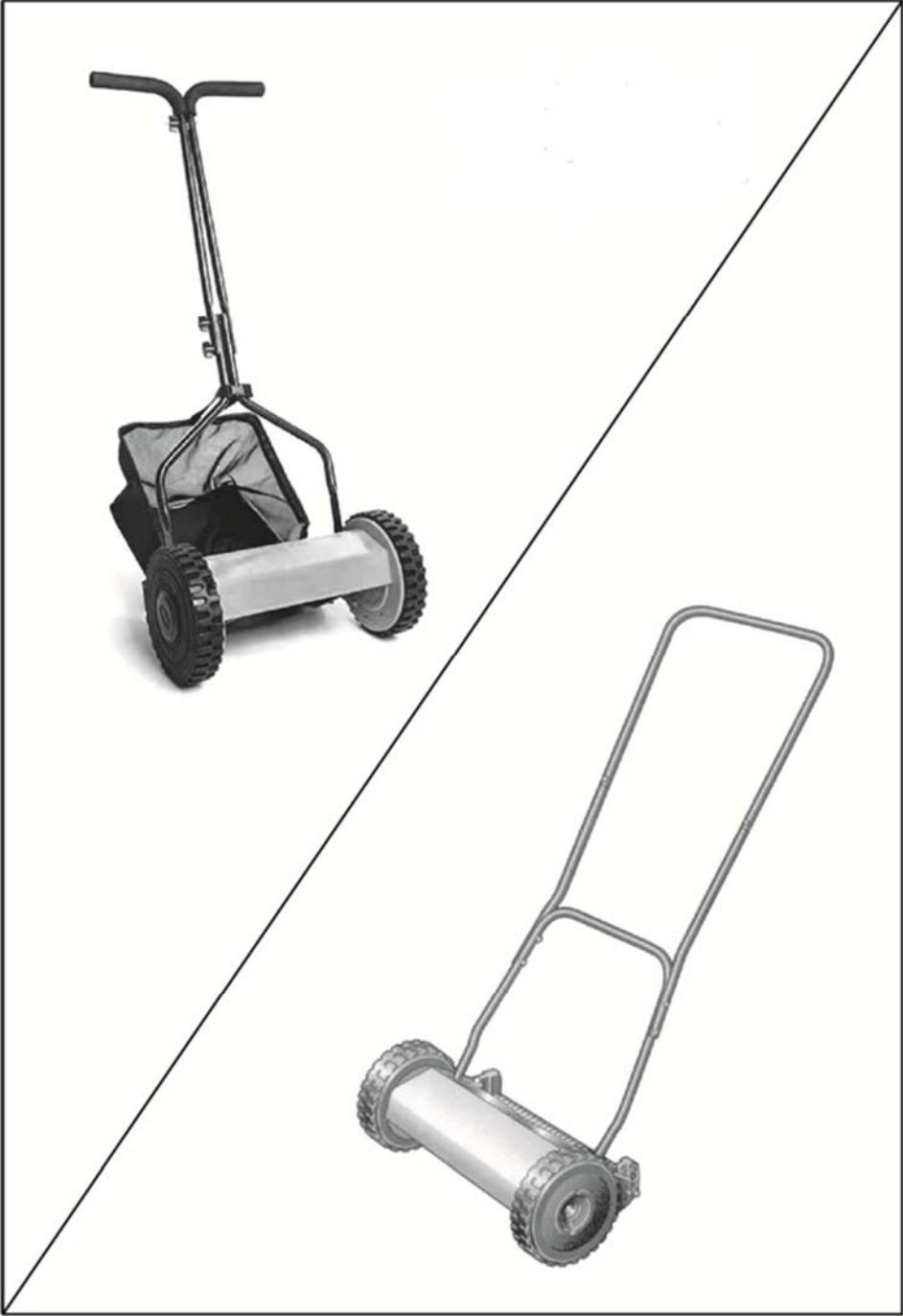
Product ID. 7AXNW



Scan for Support
support@garvee.com



GARVEE.com



Thank you for purchasing the Lawn Star cylinder push mower which is one of the finest today's technology can produce. Before you begin using it, please read this manual carefully and familiarise yourself with the control and proper use of this product to ensure you get the best possible performance from it.

SAFETY PRECAUTIONS

Never use the mower while people, especially children or pets, are nearby. Always walk never run.

Do not operate the mower when barefoot or wearing open sandals.

Thoroughly inspect the area where the mower is to be used and remove all objects, which may be thrown by the machine.

Always be sure of your footing on slopes. Do not mow excessively steep slopes.

Keep all nuts, bolts and screws tightened. Always ensure that the equipment is in a safe working condition

Replace worn or damaged parts immediately.

Keep hands and feet clear of the rotating blades.

Use caution when adjusting the blades.

PREPARATION FOR USE

Carefully remove the machine from packaging and check that you have all the following items:

- Lawnmower
- Bottom handle
- Top handle
- 2 Handle Centres
- 6 Nuts
- 6 Bolts
- Operating instructions

Assembly

A Attach bottom handle **1** to the mower.

B Assemble the top handle **2** to the handle centres **3**, and fit to handle bottom **1**.

ADJUSTING THE CUTTING HEIGHT (FIGURE C)

Loosen the knobs on either side of the roller and adjust both sides equally, in the direction of the arrow, to obtain the desired cutting height. Tighten the knobs.

MOWING (FIGURE E)

For best results, place the lawnmower on the edge of the lawn and mow in the forward direction. Then turn at the end of each run and mow in the opposite direction, slightly over-lapping the previously cut strip.

MAINTENANCE

To ensure long and reliable service, carry out the following maintenance regularly:

Regularly check for obvious defects such as loose, dislodged or damaged blades, loose fittings and worn or damaged components. Check that covers and guards are undamaged and correctly fitted. Carry out necessary maintenance or repairs before using.

All repair work should be carried out by an authorised Lawn Star service agent.

ADJUSTING THE BLADE (FIGURE C)

The cutting blade 8 should be adjusted if the grass is not cut cleanly and evenly. Insert a piece of paper between the cylinder 6 and the fixed blade 8. Turn both adjuster nuts 7 clockwise a little at a time until the cutting cylinder 6 cuts the paper evenly across the whole blade length 8.

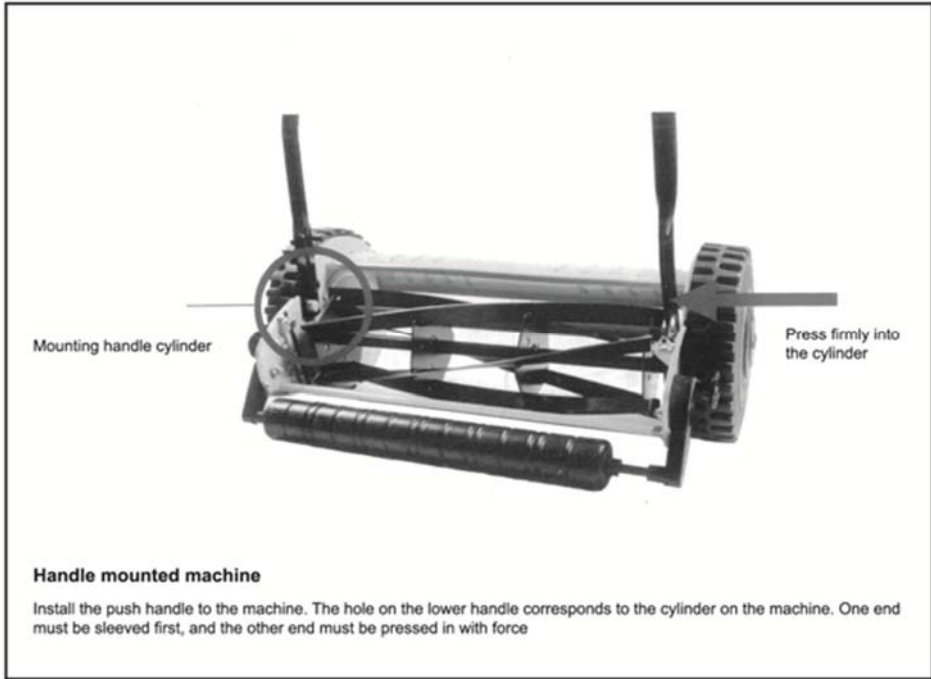
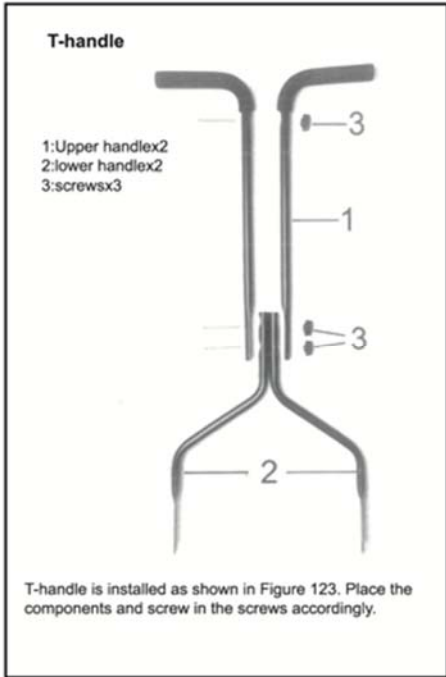
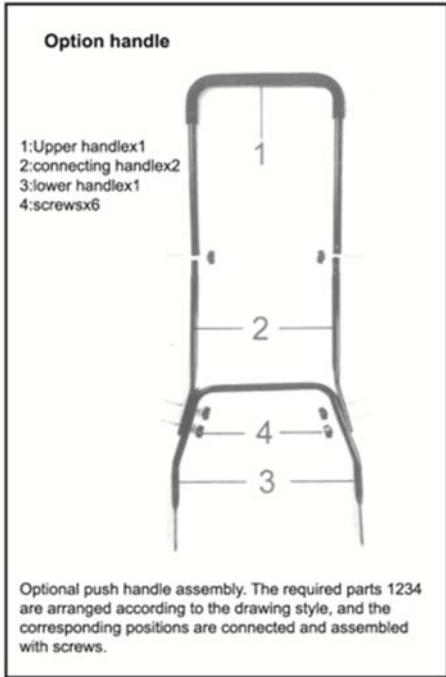
Note: The blades act like a pair of shears.

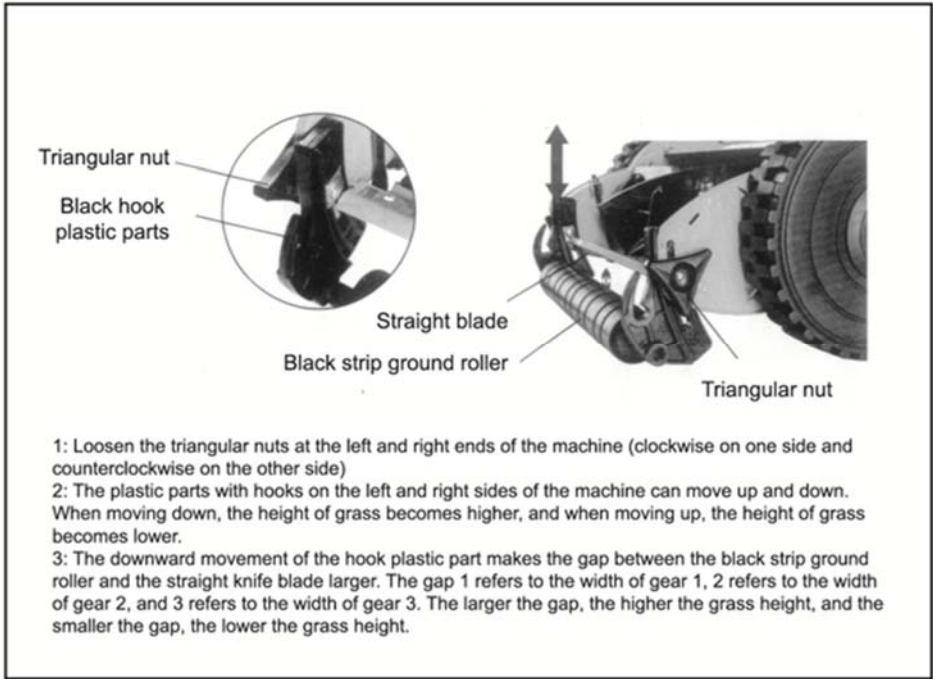
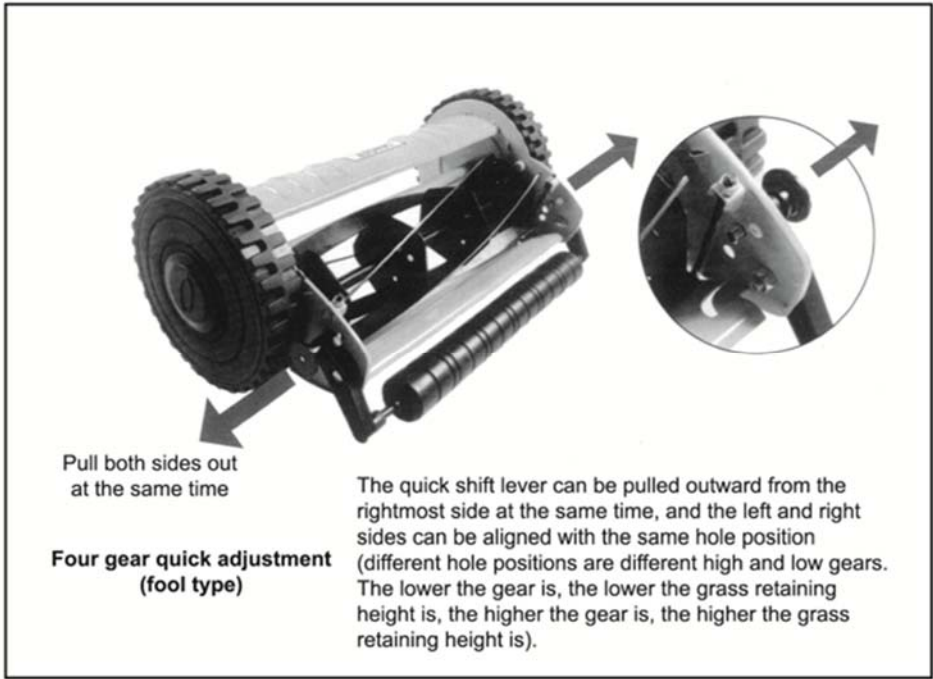
STORAGE

Clean the exterior of the machine thoroughly using a soft brush and cloth. Do not use water, solvents or polish. Remove all grass and debris.

Turn the machine on its side and clean the blade area. If grass cuttings are compacted in the blade area, remove with a wooden or plastic implement.

Store the lawnmower in a safe and dry place out of the reach of children. Do not place other objects on top of the machine.

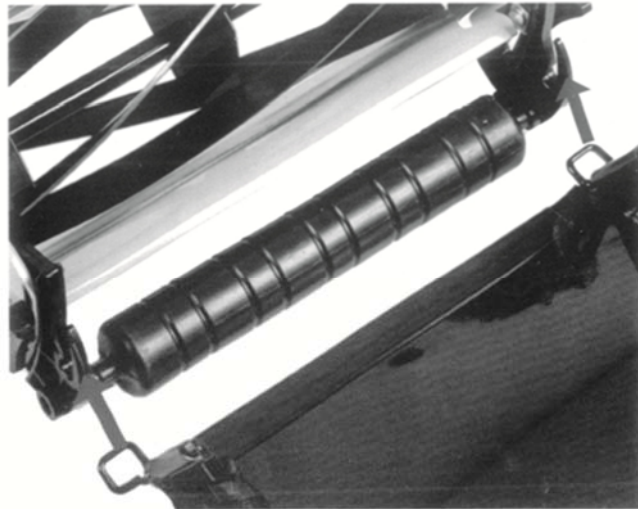






Installation position of snap on straw bag

The installation of the straw bag is shown in the left figure. Align the buckle at the lower end of the straw bag with the position on the figure and clip it in. The rope on the straw bag can be tied to the middle rung of the push handle



Installation position of hook type straw bag

The straw bag is installed. The two irons on the straw bag are also directly hung on the two plastic hooks symmetrically on the right of the installation position of the left hook type straw bag behind the machine. The rope on the straw bag can be tied to the rung of the push handle

Limited Liability & Warning

No Unauthorized Modifications/Repairs: Do not modify or attempt to repair this product unless you are an authorized technician. Unauthorized actions may create hazards and void all warranties

Misuse & Non-Compliance: We are not liable for any injury, damage, or loss resulting from:

- (a) misuse, abuse, neglect, or improper installation;
- (b) failure to follow instructions or safety precautions;
- (c) use of unauthorized parts/accessories;
- (d) unauthorized modifications/repairs;
- (e) accidents, natural disasters, or external causes.

If you doubt any step of installation or operation, stop using the product and contact authorized service or the customer support.

LIMITACIÓN DE RESPONSABILIDAD Y ADVERTENCIA

Modificaciones o Reparaciones No Autorizadas: NO modifique ni intente reparar este producto a menos que sea un técnico autorizado. Las acciones no autorizadas pueden generar riesgos y anularán todas las garantías.

Uso Indevido e Incumplimiento: No asumimos responsabilidad alguna por lesiones, daños o pérdidas que resulten de:

- (a) uso indebido, abuso, negligencia o instalación incorrecta;
- (b) incumplimiento de las instrucciones o precauciones de seguridad;
- (c) uso de piezas o accesorios no autorizados;
- (d) modificaciones o reparaciones no autorizadas;
- (e) accidentes, desastres naturales o causas externas.

Si tiene dudas sobre algún paso de la instalación o el funcionamiento, deje de usar el producto y póngase en contacto con el servicio técnico autorizado o con atención al cliente.

GARVEE
support@garvee.com