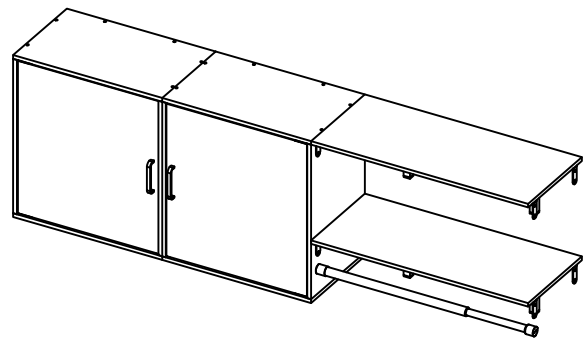
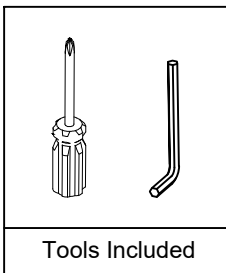
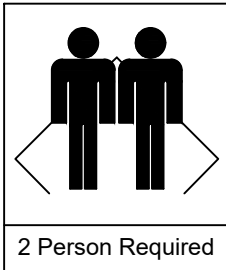


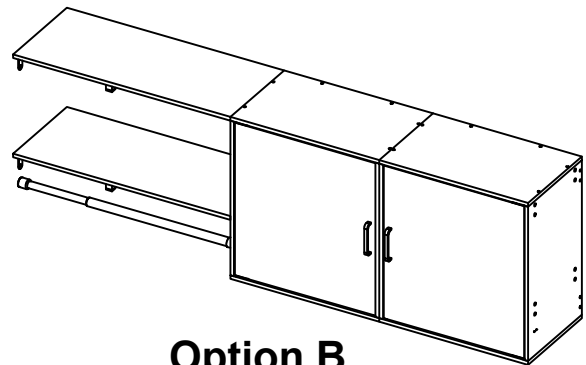
# Wall Storage Cabinet with Hanging Rod

## Assembly Instruction

CS-SMXYFG\_V1.0



**Option A**



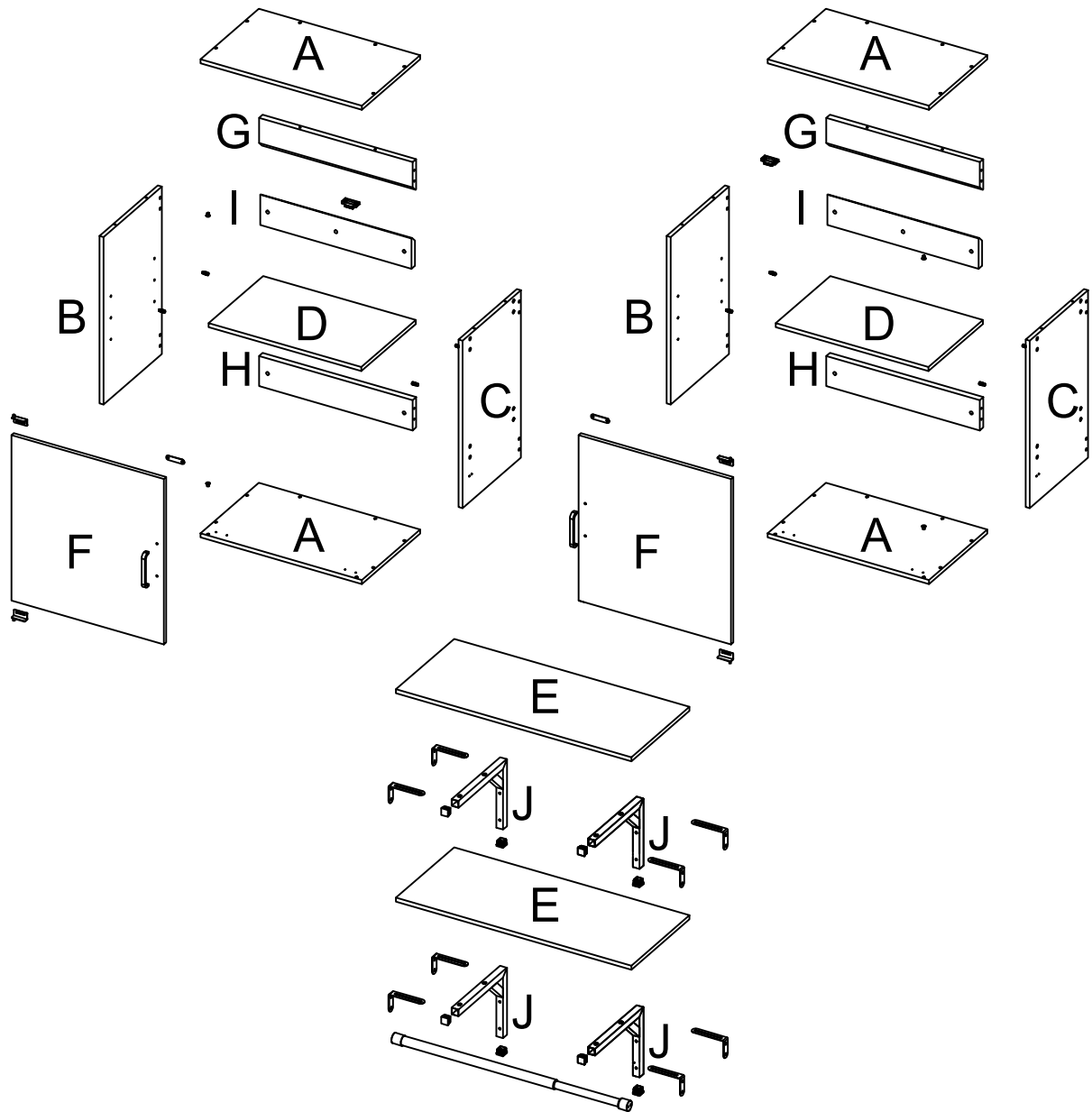
**Option B**



### Customer Support

**NEED HELP?** For replacement requests or product inquiries, please contact our Customer Service Team by emailing us at [cozylifecs@hotmail.com](mailto:cozylifecs@hotmail.com). Thank you for selecting!

## PART LIST

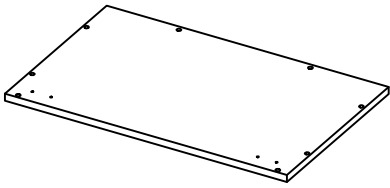


### USEFUL HINTS BEFORE YOU START:

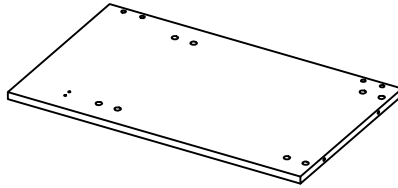
1. Read each step carefully before starting.
2. It is important that each step is performed in correct order to avoid difficulties.
3. Identify, sort and count the parts before assembly.
4. Assemble your furniture on packaging cardboard to prevent scratch or damage.
5. Clean the product with mild cleanser using soft damped cloth. Do not use harsh or abrasive cleanser.
6. Using incompatible hardware might cause damage to product.

**PART LIST**

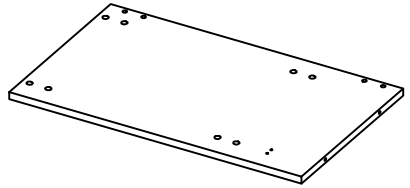
**A** x 4pcs



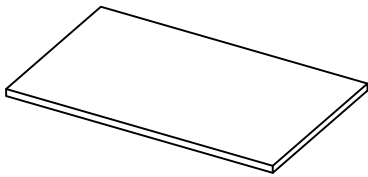
**B** x 2pcs



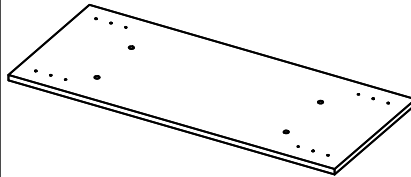
**C** x 2pcs



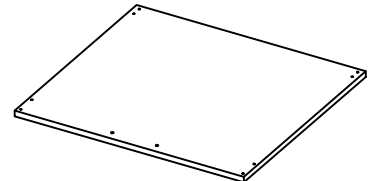
**D** x 2pcs



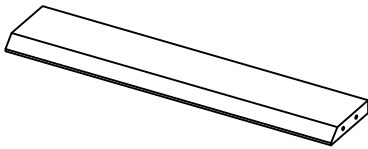
**E** x 2pcs



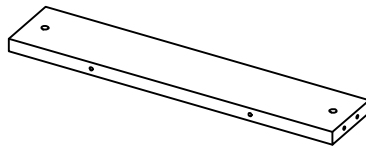
**F** x 2pcs



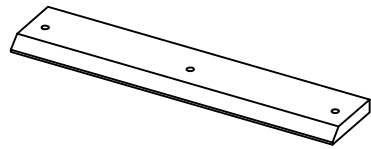
**G** x 2pcs



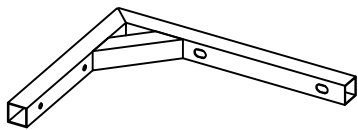
**H** x 2pcs




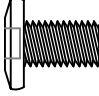
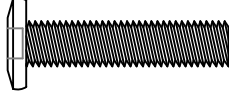





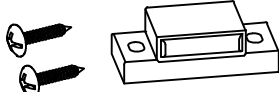
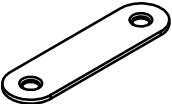

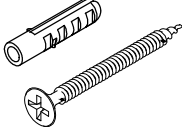
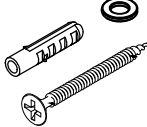
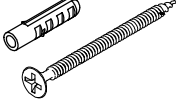
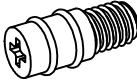
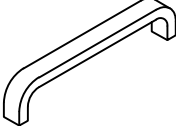
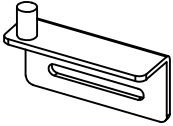
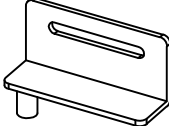
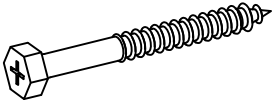

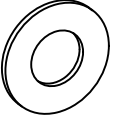
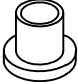

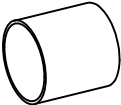
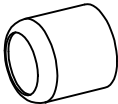


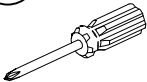
**I** x 2pcs




**J** x 4pcs

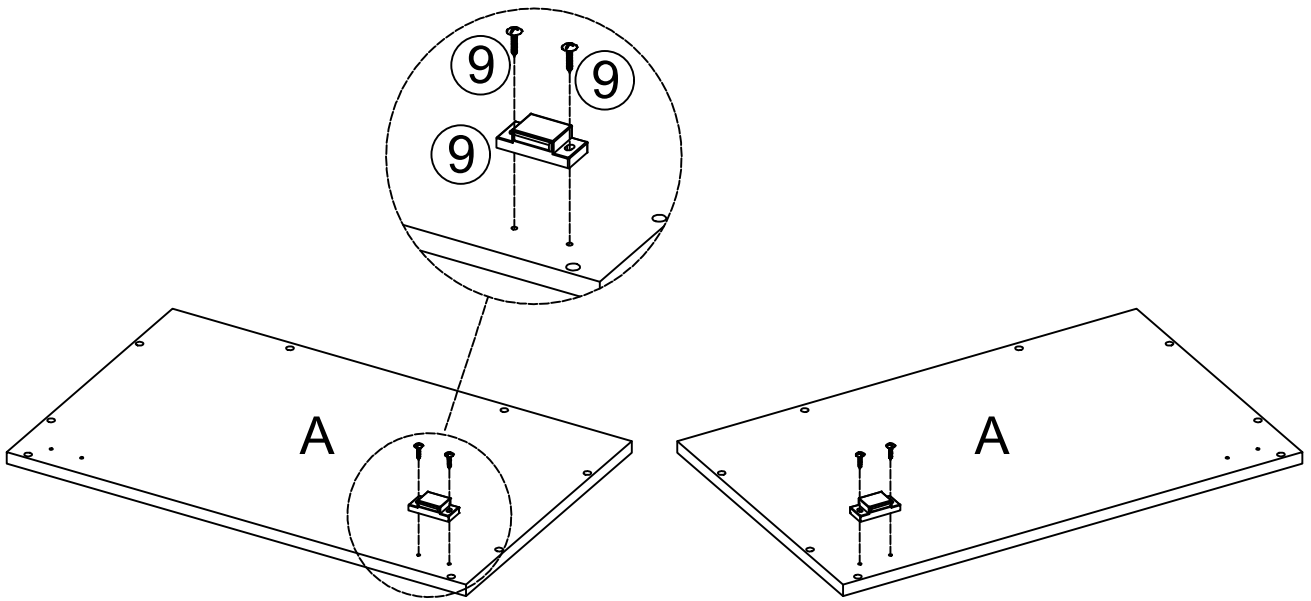


## HARDWARE LIST

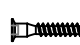
|   |  |   |
|---|--|---|
| <p>①</p>  <p>20x20</p> <p style="text-align: right;">8 pcs</p>   | <p>②</p>  <p>M6x10</p> <p style="text-align: right;">16 pcs</p>   | <p>③</p>  <p>M6x27</p> <p style="text-align: right;">8 pcs</p>   |
| <p>④</p>  <p>M6x40</p> <p style="text-align: right;">40 pcs</p>  | <p>⑤</p>  <p>M3x12</p> <p style="text-align: right;">4 pcs</p>    | <p>⑥</p>  <p>M4x12</p> <p style="text-align: right;">4 pcs</p>   |
| <p>⑦</p>  <p>M4x12</p> <p style="text-align: right;">16 pcs</p>  | <p>⑧</p>  <p>M3.5x12</p> <p style="text-align: right;">8 pcs</p>  | <p>⑨</p>  <p>M3x16</p> <p style="text-align: right;">2 pcs</p>   |
| <p>⑩</p>  <p style="text-align: right;">2 pcs</p>               | <p>⑪</p>  <p>M4x16</p> <p style="text-align: right;">4 pcs</p>    | <p>⑫</p>  <p>M4x40</p> <p style="text-align: right;">2 pcs</p>  |
| <p>⑬</p>  <p>M4x40</p> <p style="text-align: right;">8 pcs</p> | <p>⑭</p>  <p>M4x60</p> <p style="text-align: right;">8 pcs</p>  | <p>⑮</p>  <p>M6x19</p> <p style="text-align: right;">8 pcs</p> |
| <p>⑯</p>  <p style="text-align: right;">2 pcs</p>              | <p>⑰</p>  <p style="text-align: right;">2 pcs</p>               | <p>⑱</p>  <p style="text-align: right;">2 pcs</p>              |
| <p>⑲</p>  <p style="text-align: right;">10 pcs</p>             | <p>⑳</p>  <p style="text-align: right;">10 pcs</p>              | <p>㉑</p>  <p style="text-align: right;">10 pcs</p>             |
| <p>㉒</p>  <p style="text-align: right;">4 pcs</p>              | <p>㉓</p>  <p>100x55</p> <p style="text-align: right;">8 pcs</p> | <p>㉔</p>  <p style="text-align: right;">1 pc</p>               |
| <p>㉕</p>  <p style="text-align: right;">1 pc</p>               | <p>㉖</p>  <p>47-80cm</p> <p style="text-align: right;">1 pc</p> | <p>㉗</p>  <p>M4</p> <p style="text-align: right;">1 pc</p>     |
|   |  | <p>㉘</p>  <p style="text-align: right;">1 pc</p>               |

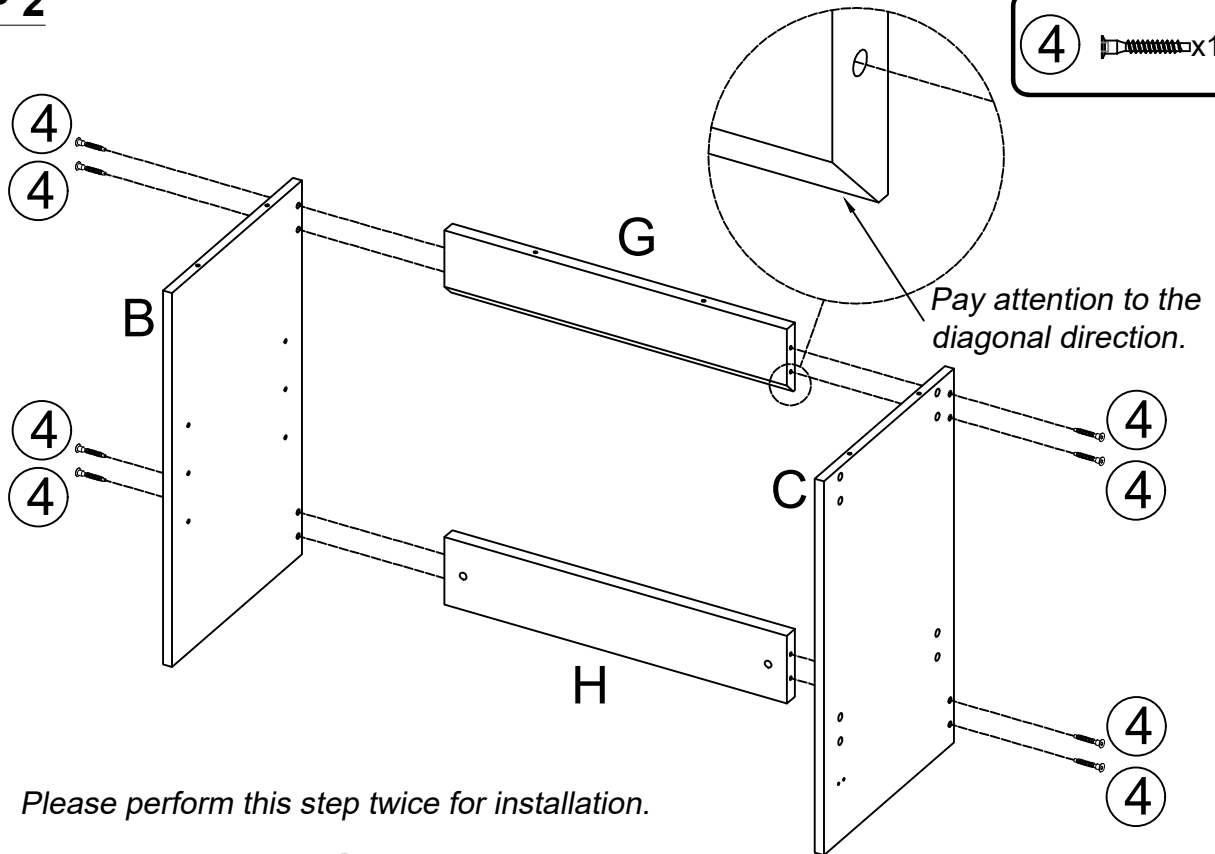
# STEP 1

9  x2



# STEP 2

4  x16

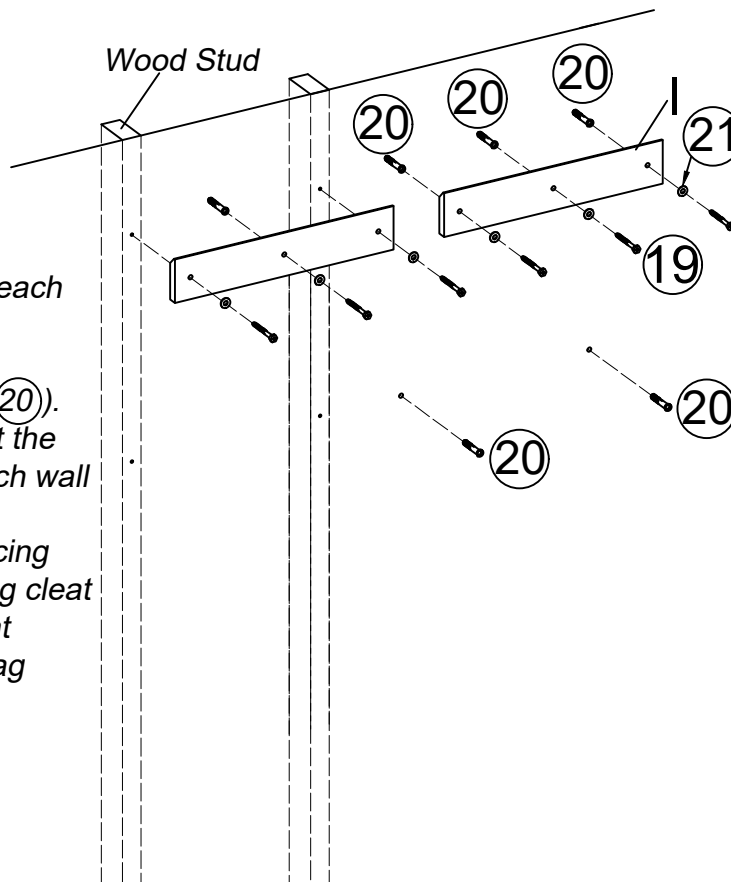
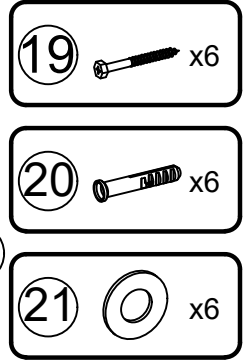


Please perform this step twice for installation.

# X2



## STEP 5



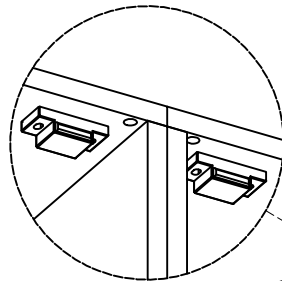
Drill a 3/8 in. pilot hole at each of the mounting holes not marked on a stud.

Insert concrete anchors (20).

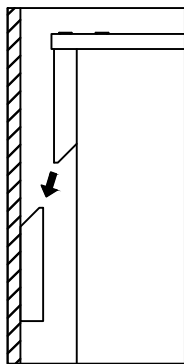
Drill a 3/16 in. pilot hole at the marked locations over each wall stud.

With the beveled edge facing up, attach the wall hanging cleat (1) to the wall using the flat washers (21) and M8 lag bolts (19).

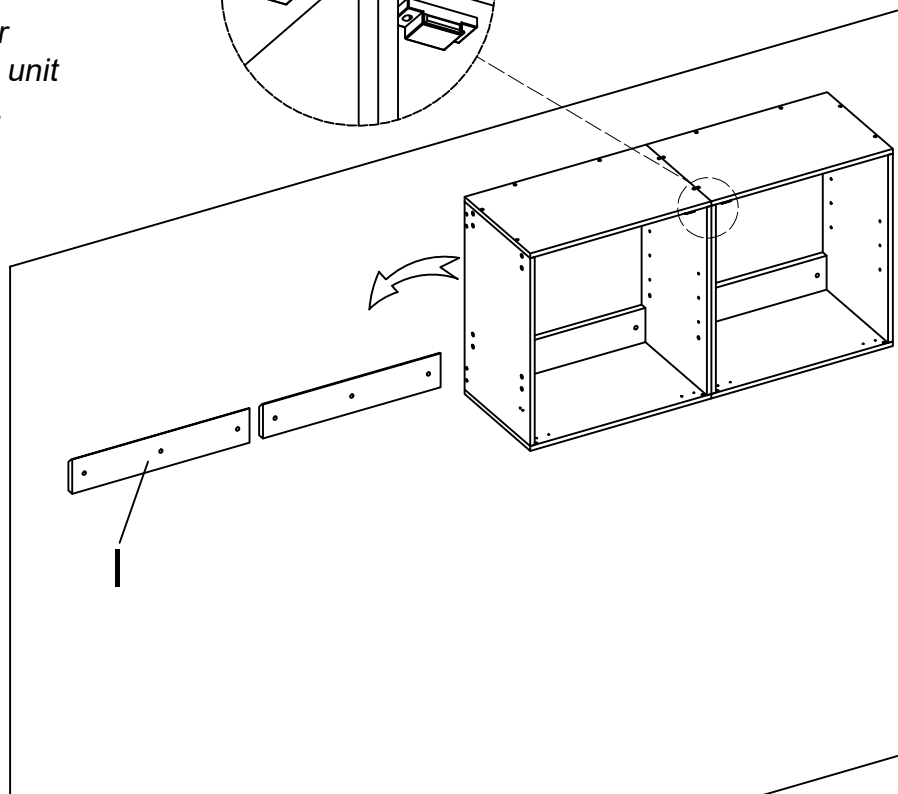
## STEP 6



With the help from another person, carefully hang the unit onto wall hanging cleat (1).

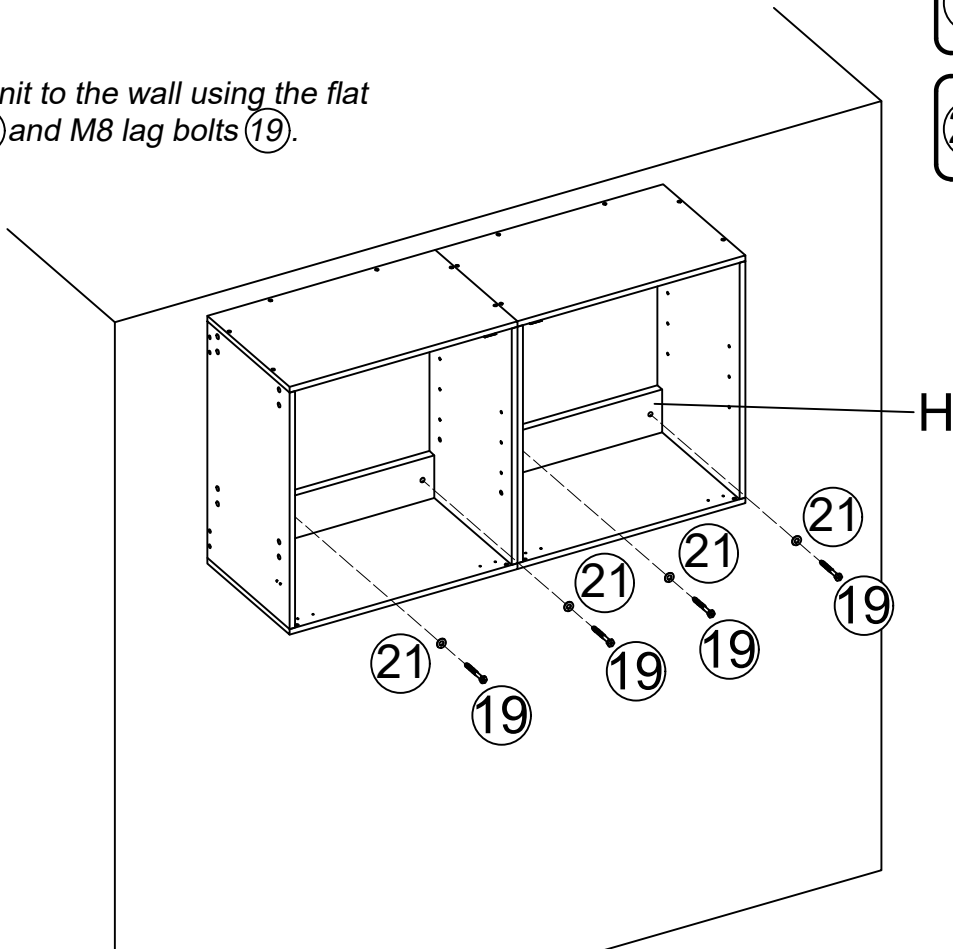
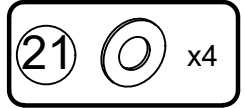
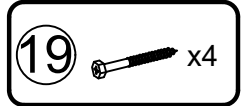


Side view



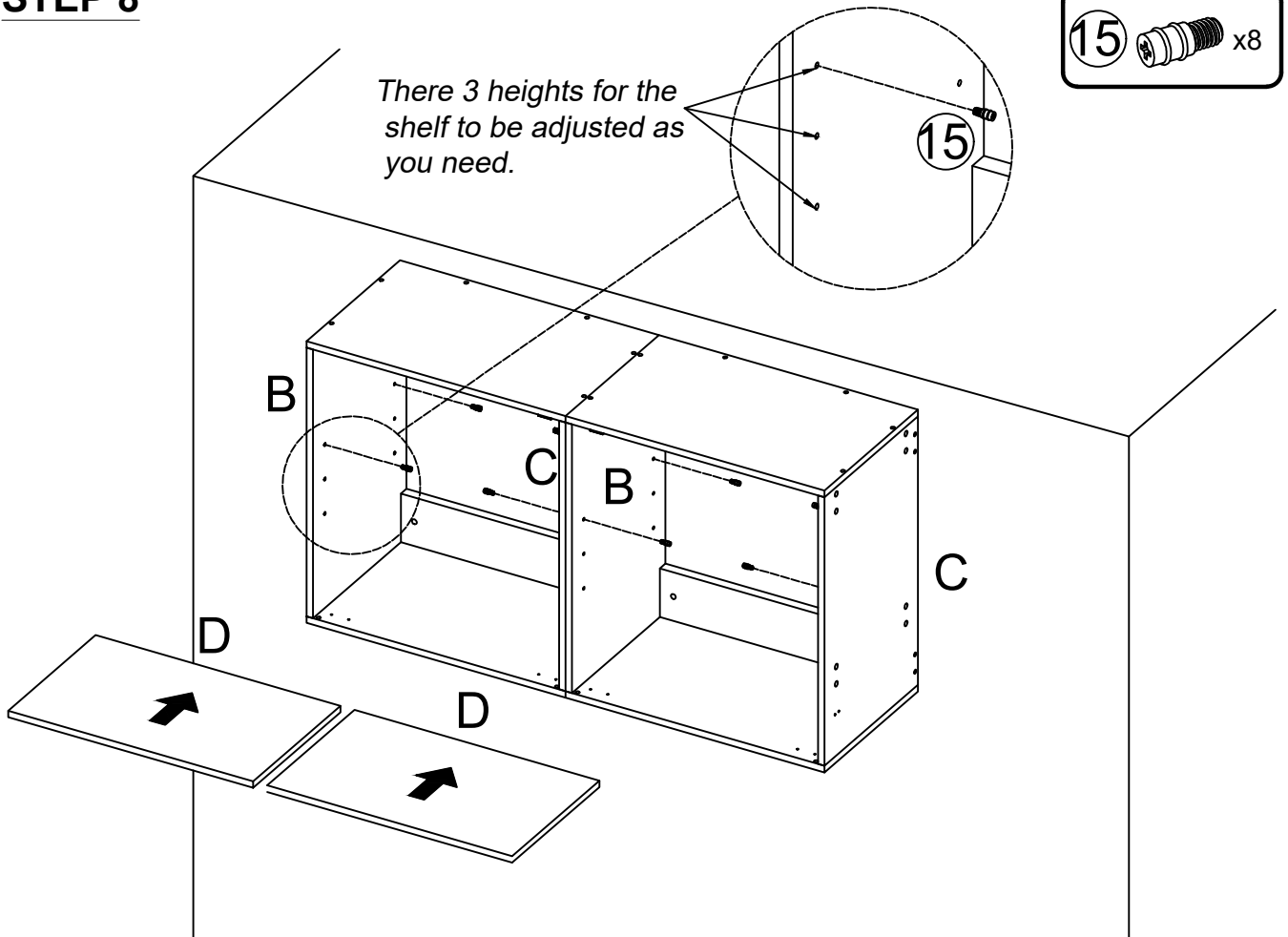
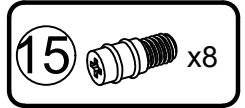
## STEP 7

Attach the unit to the wall using the flat washers (21) and M8 lag bolts (19).

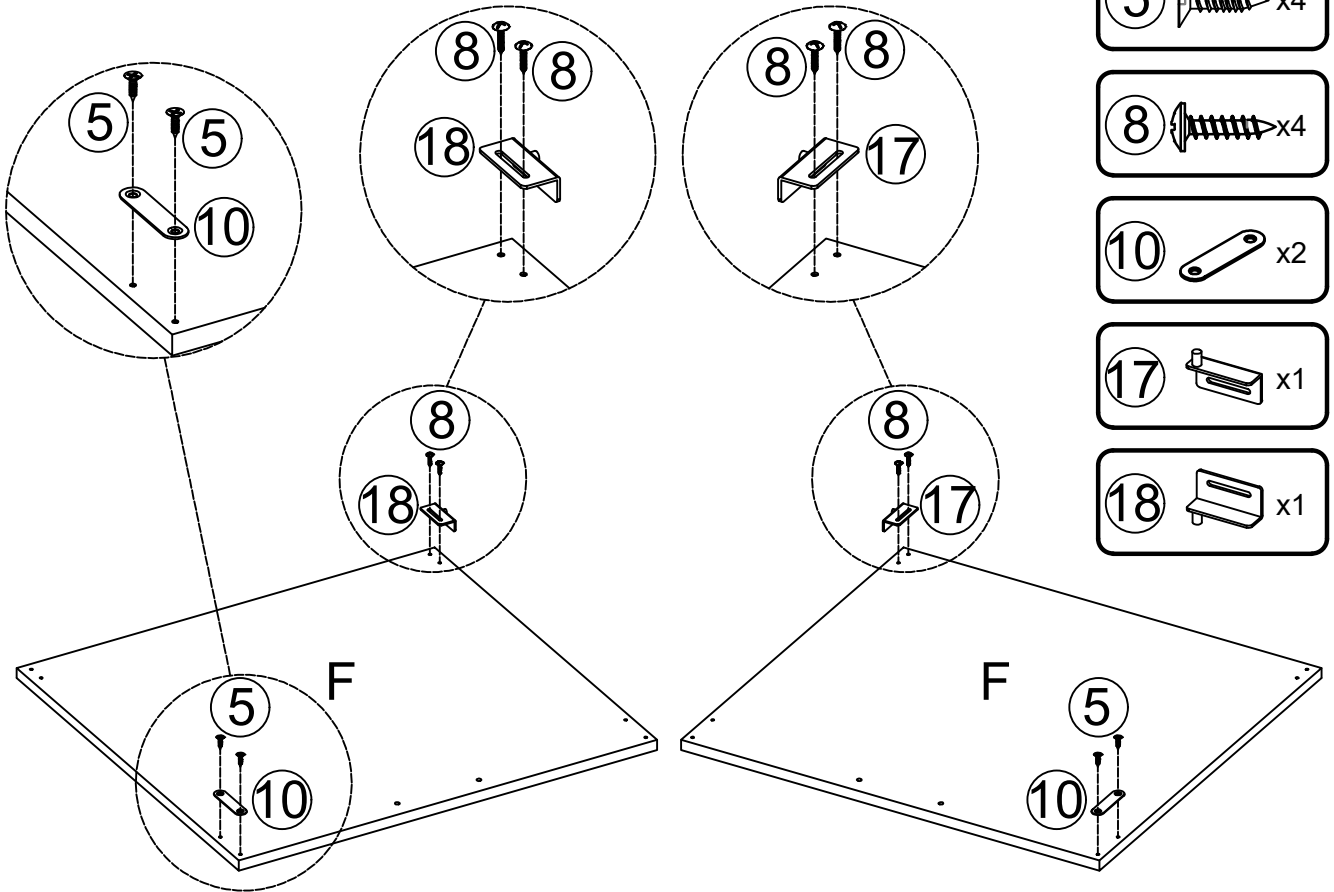


## STEP 8

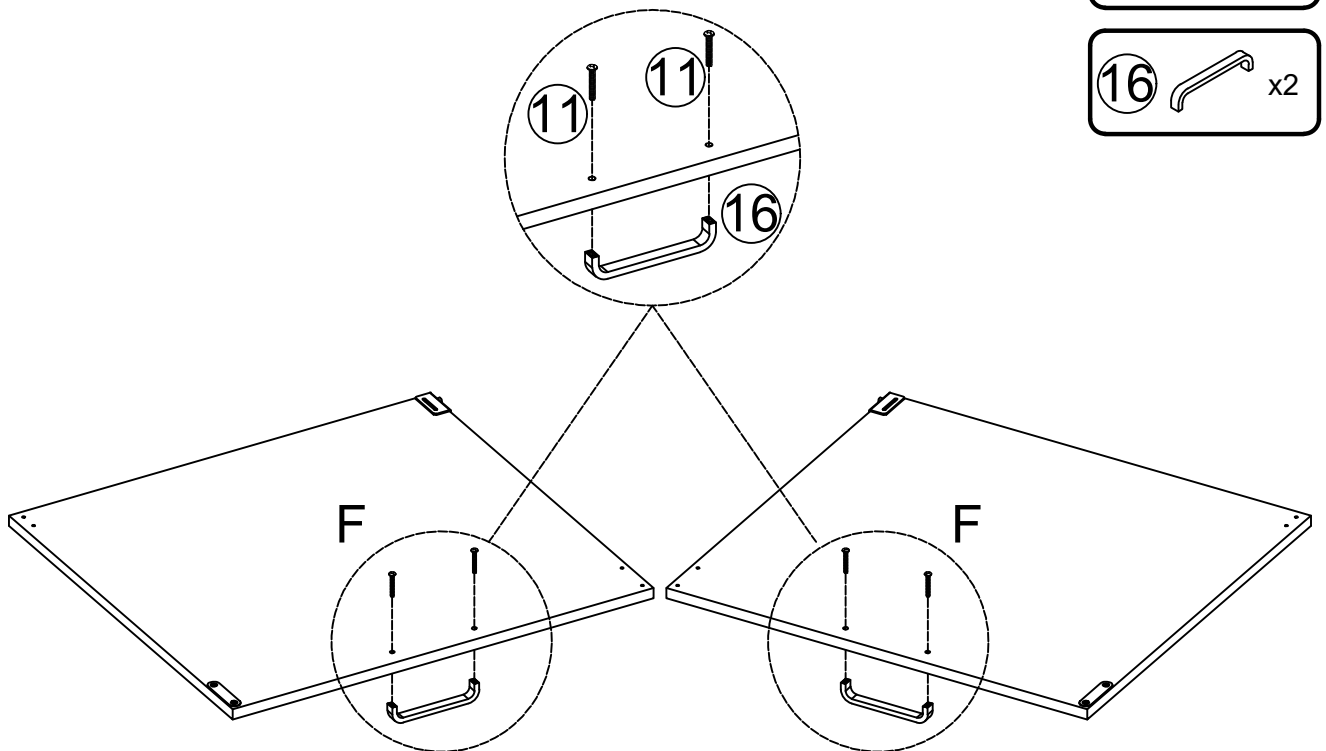
There 3 heights for the shelf to be adjusted as you need.



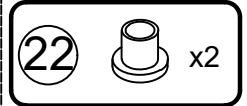
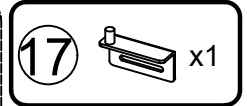
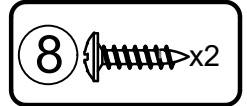
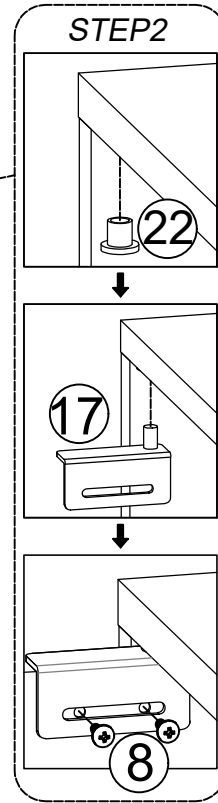
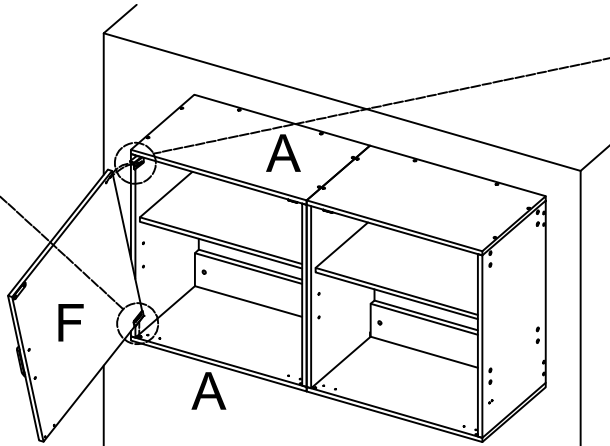
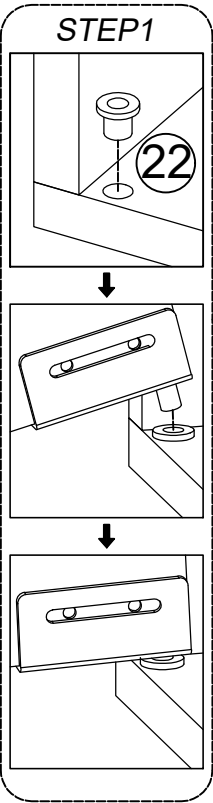
## STEP 9



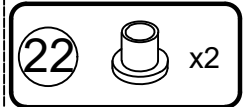
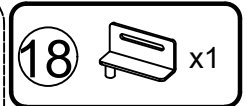
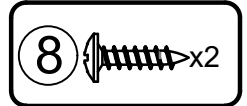
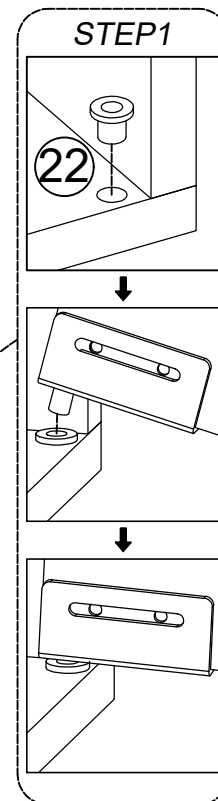
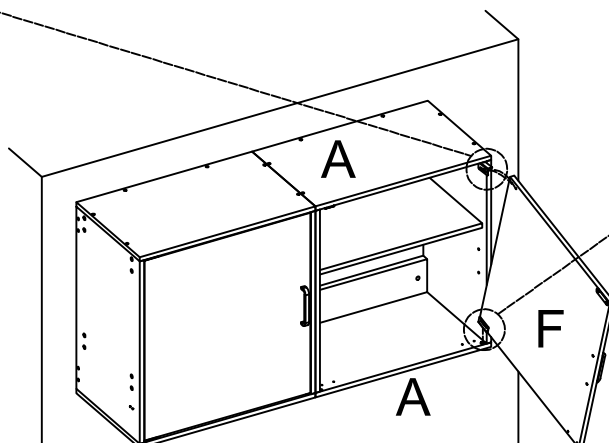
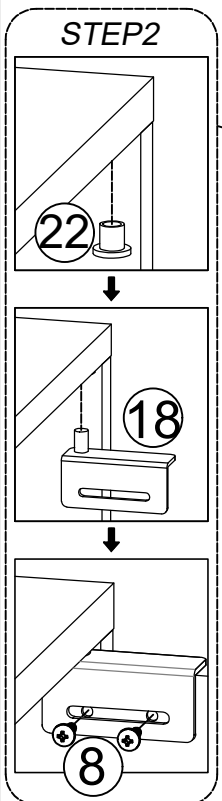
## STEP 10



## STEP 11



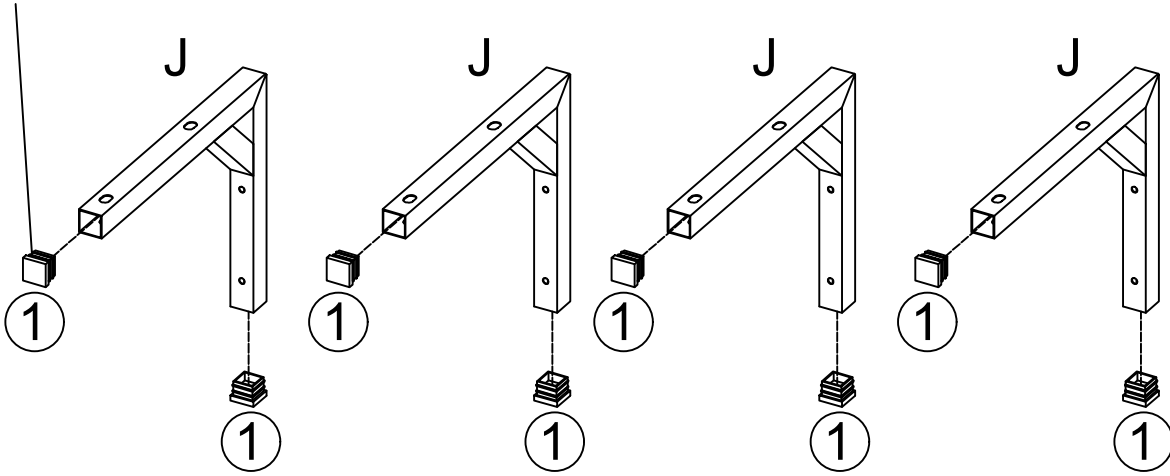
## STEP 12



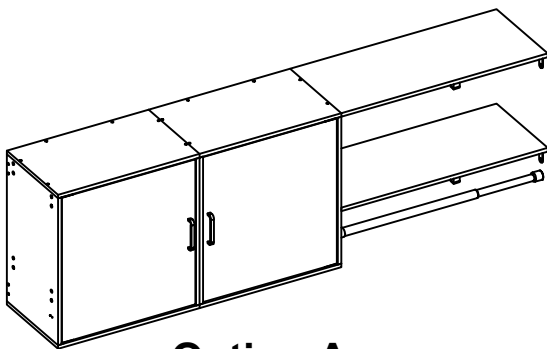
## STEP 13



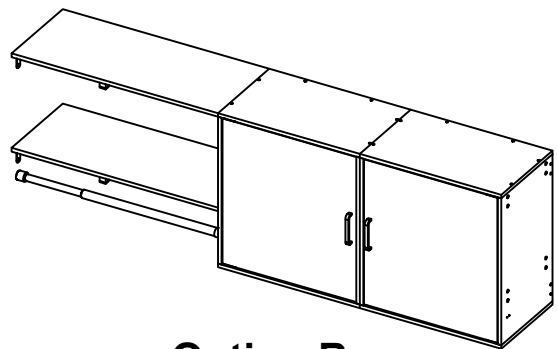
Please use a hammer or solid tools  
(not included) to knock the plastic  
pads into the frame.



## STEP 14



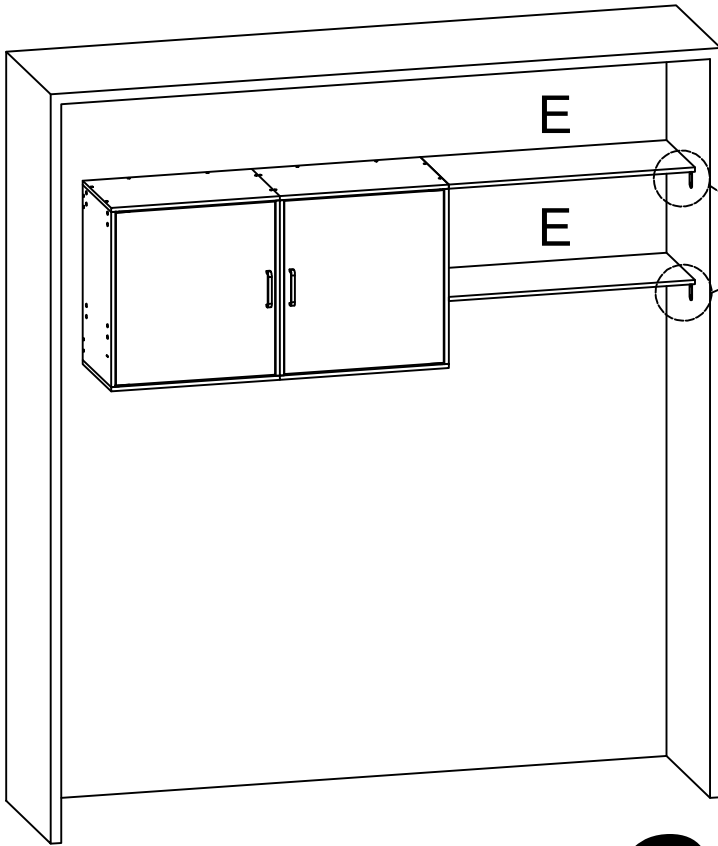
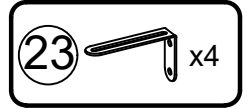
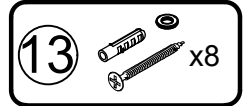
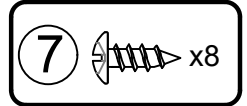
Option A



Option B

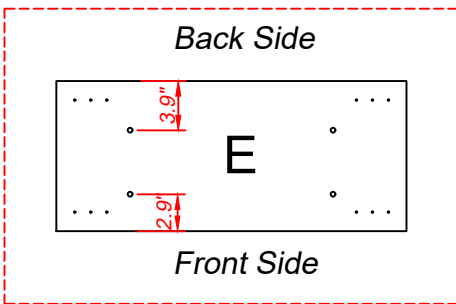
# STEP 15

## Long Shelf Installation

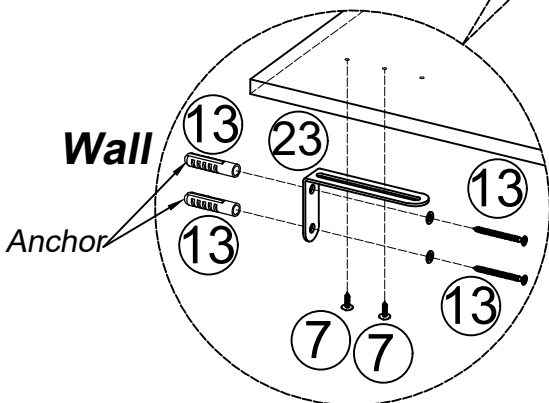
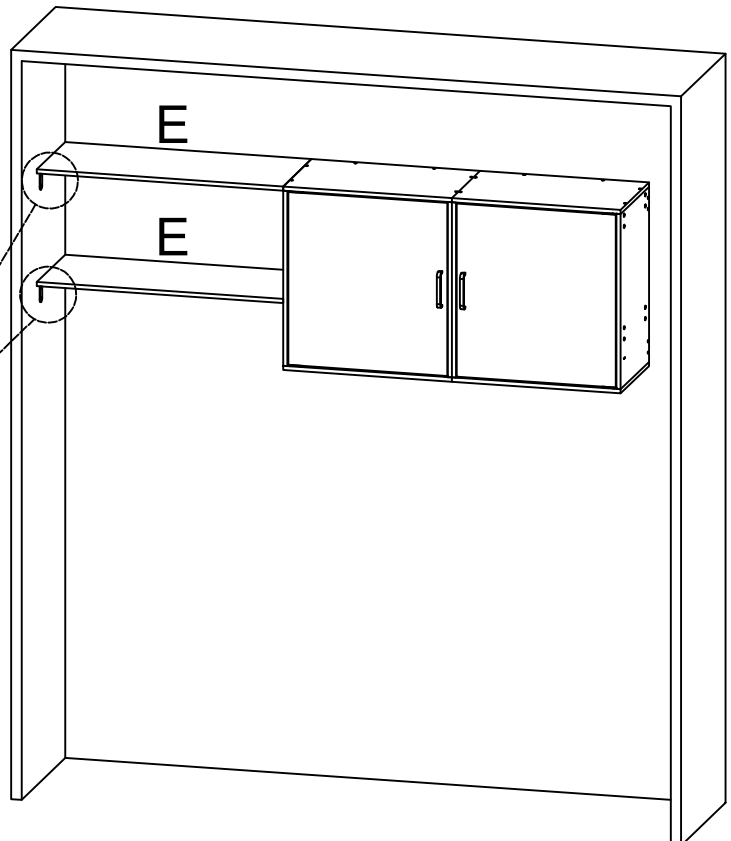


**Note:** If long shelf (E) needs cut to fit inside your closet space, cut only one side of the shelf and do not use a hacksaw. It is recommended you hire an insured remodeler for this type of installation.

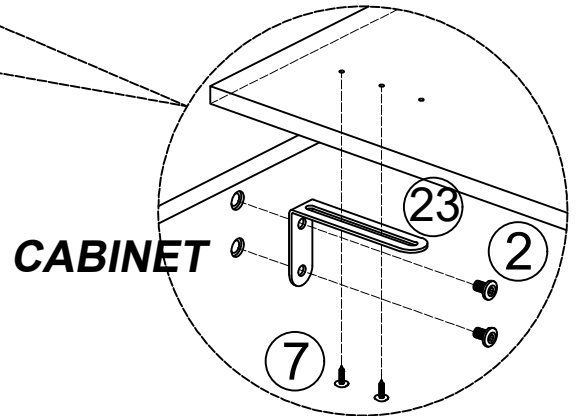
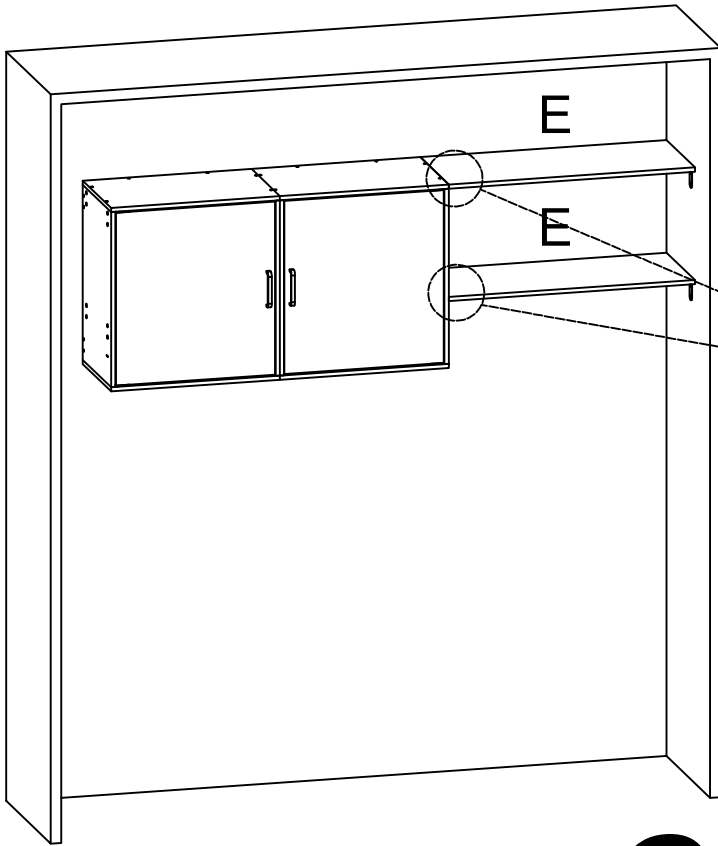
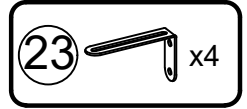
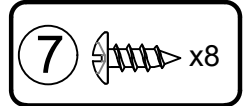
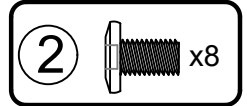
# OR



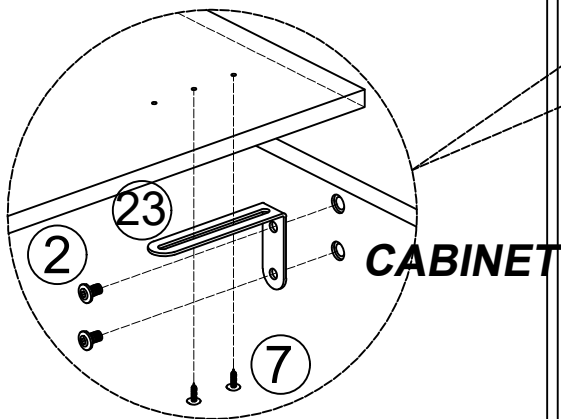
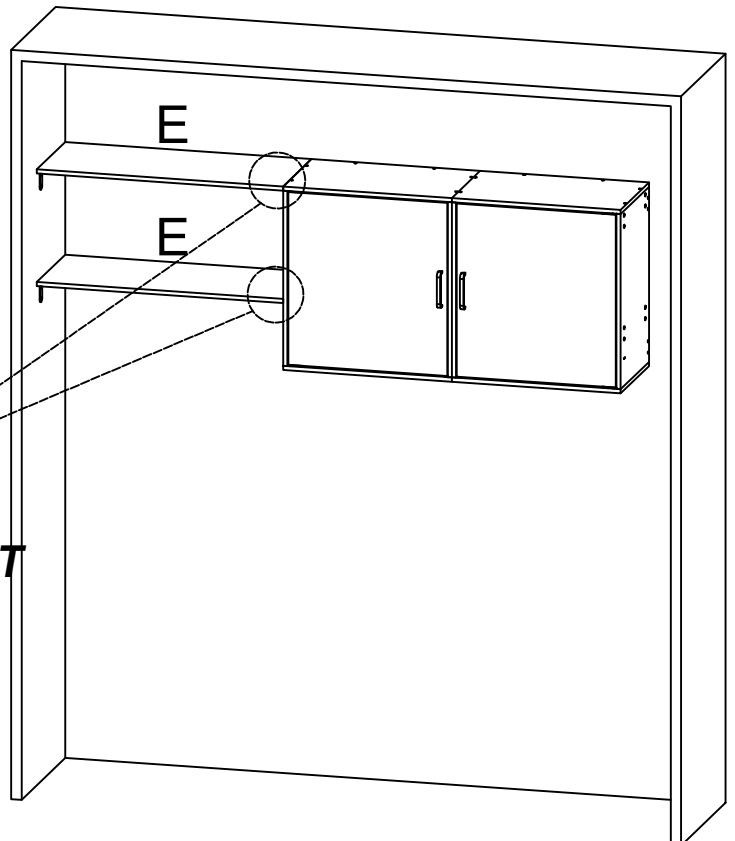
Keep the holes of the Part E toward this direction as shown.



**STEP 16**

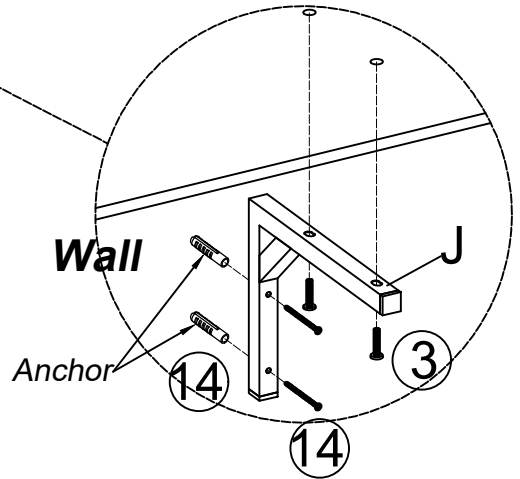
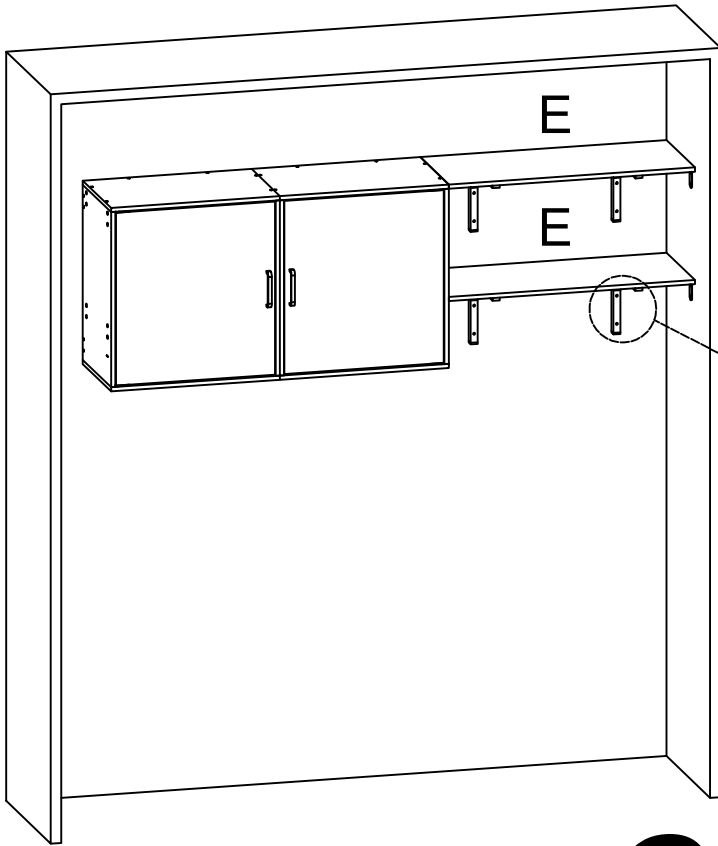
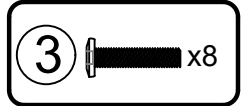


**OR**

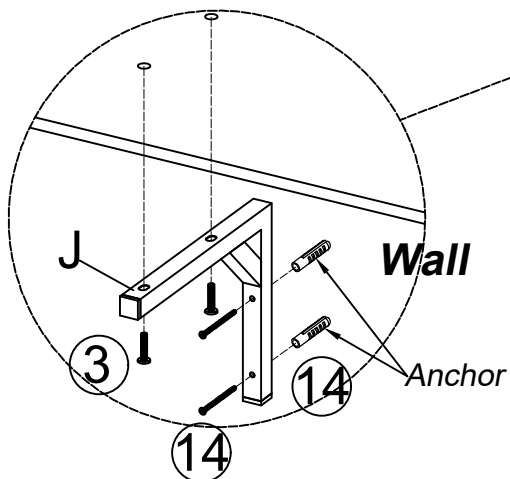
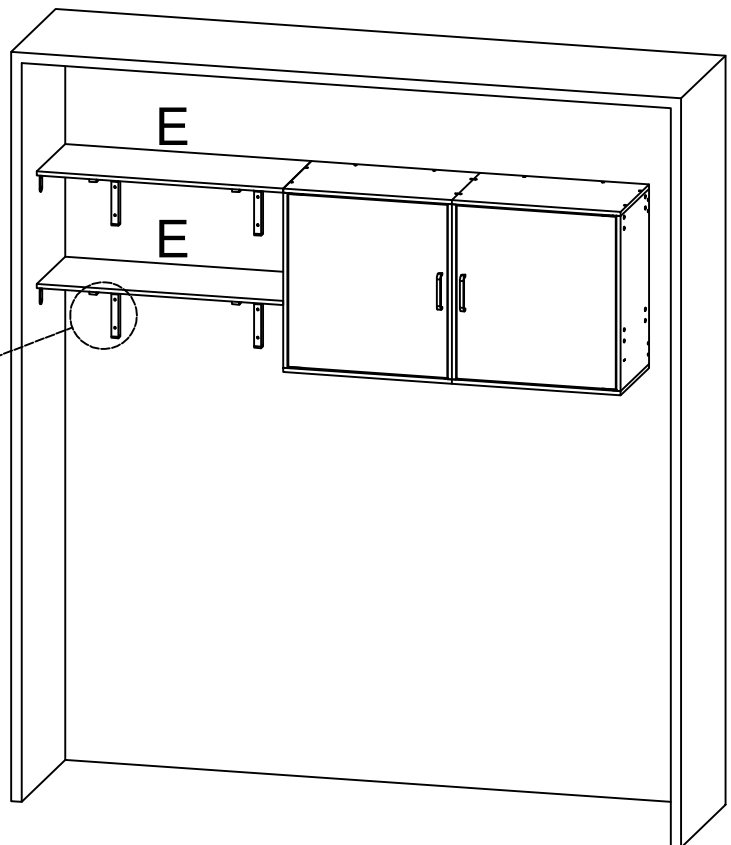


# STEP 17

## Shelf Support Installation

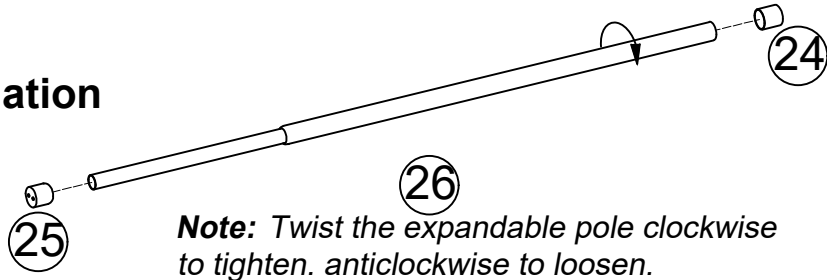


# OR

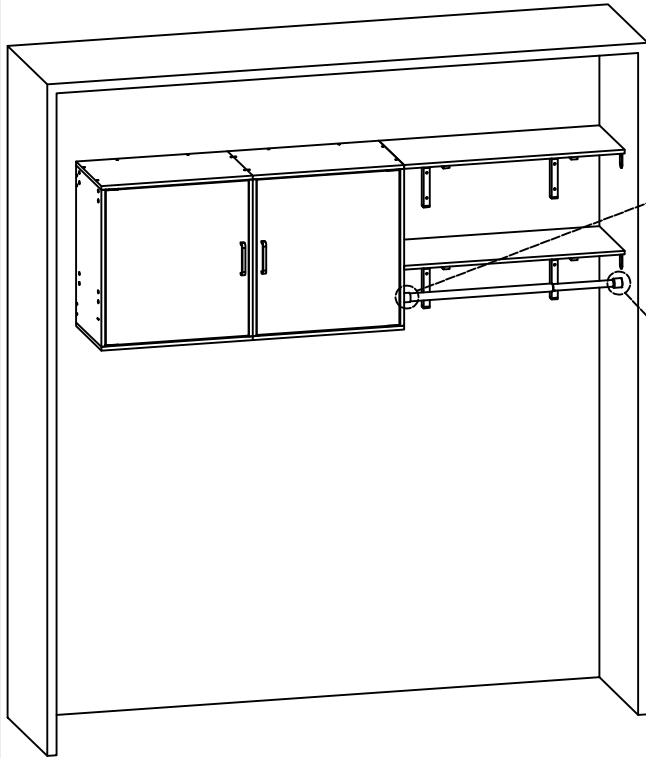
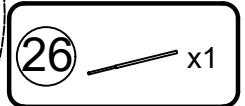
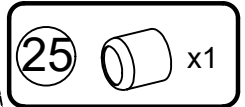
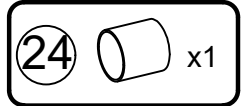
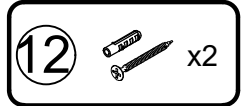
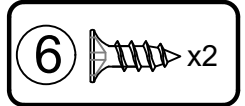


# STEP 18

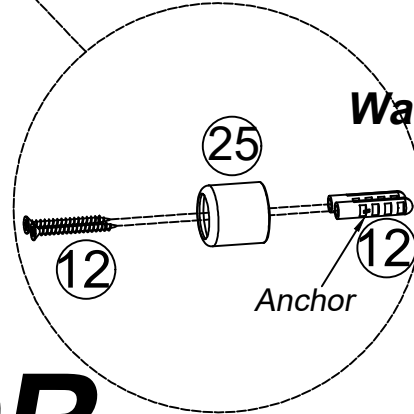
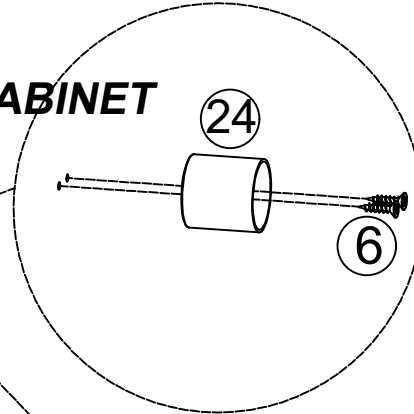
## Pole Installation



**Note:** Twist the expandable pole clockwise to tighten. anticlockwise to loosen.



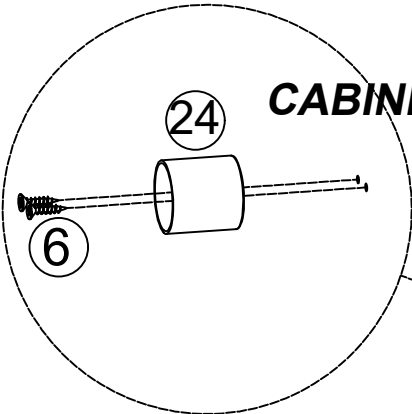
**CABINET**



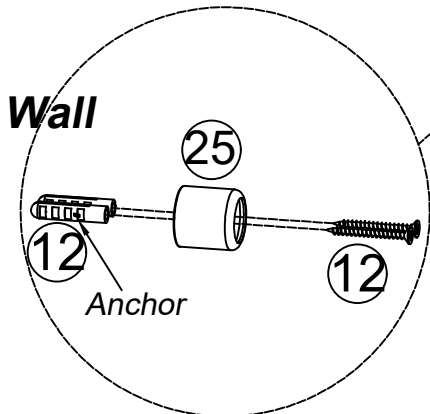
**Wall**

Anchor

# OR

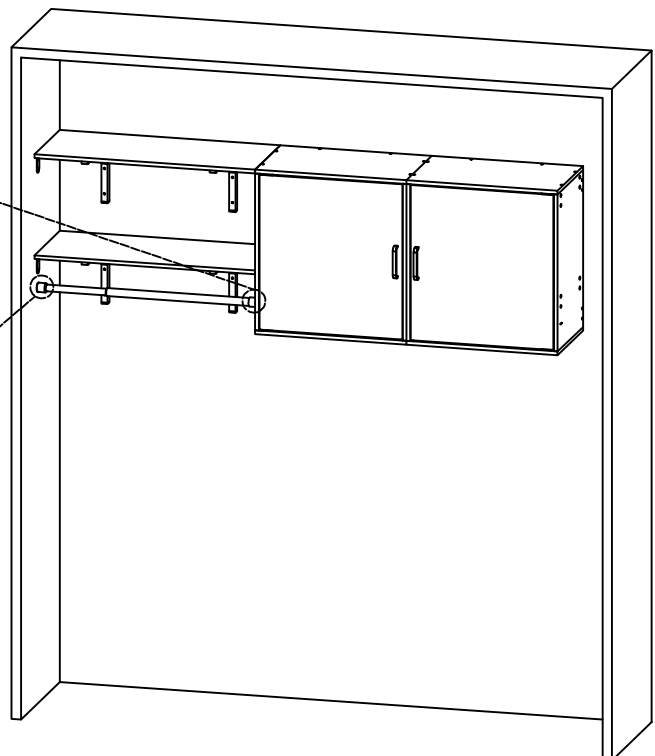


**CABINET**



**Wall**

Anchor



## Other Function

### STEP 19

*The long shelf can be installed in both sides of each cabinet, you are free to install it in different way as you need.*

