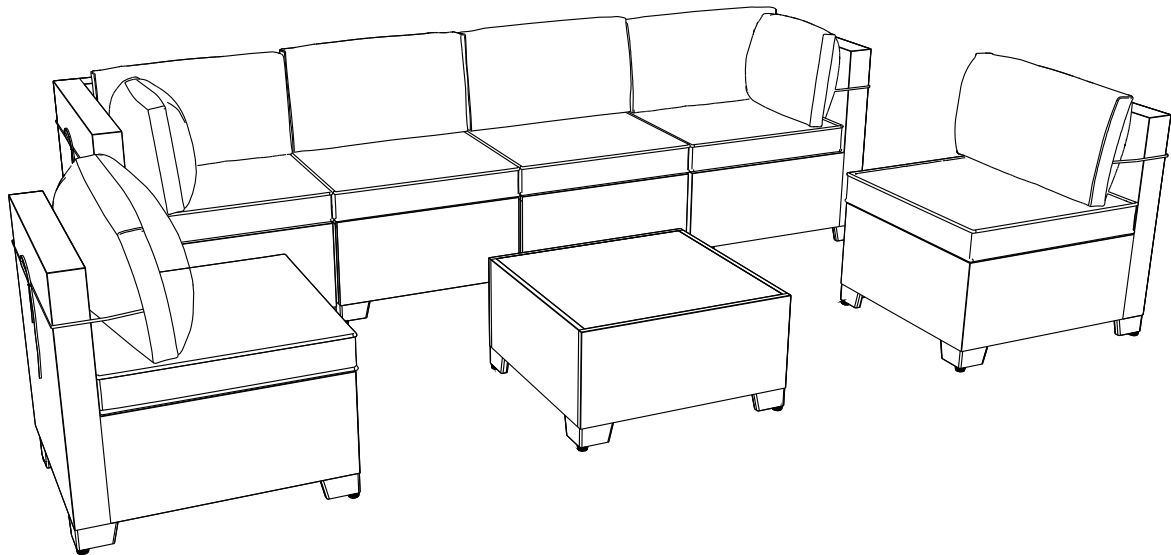




Patio Conversation Set





WARNINGS

Not for Children

This sofa set is intended for adult use only. Avoid allowing children to play or climb on the furniture to reduce the risk of injury.

No Standing on Furniture

The furniture is designed for sitting only. Do not stand, jump, or place excessive weight on the armrests or backrests.

Avoid Modifications

Do not modify or attempt to repair the sofa set. Contact customer service for any necessary repairs or replacement parts.

Important Safety Information

Choking Hazard: Keep packaging materials, small parts, and screws away from children. This product contains parts that could be harmful if swallowed.

Adult Supervision: Always supervise children around the furniture, especially when playing or climbing.

Stable Surface: For safety and stability, ensure the sofa set is placed on a level, stable surface. Avoid placing it on uneven or slippery ground.

Weight Limit: Please do not exceed the recommended weight capacity for each seating unit and coffee table to prevent damage. Refer to the product's weight specifications for more details.

Cushion Safety: Ensure that cushions and pillows are securely in place before using the furniture. Avoid using the product if any cushions are damaged or misplaced.

Protect from Weather: Although the rattan material is designed for outdoor use, we recommend covering the sofa set or moving it to a sheltered area during heavy rain, snow, or extreme sunlight exposure to protect the cushions and prolong the life of the set.

Proper Assembly: Always ensure that all components are properly assembled and that all screws and bolts are tightened securely before use. Check for loose screws periodically.

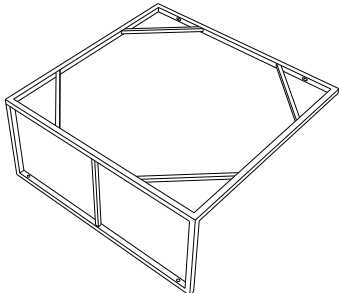
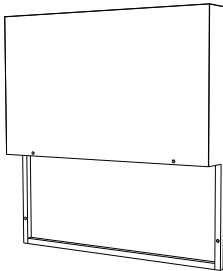
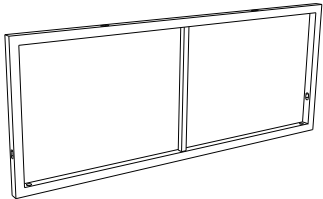
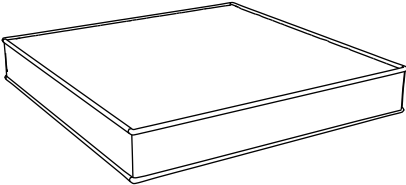
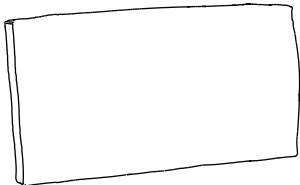
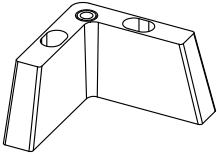
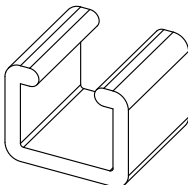




CONTENTS

Important.....	1
Packing List.....	3
Assembly steps for middle sofa.....	9
Assembly steps for corner sofa.....	12
Assembly steps for coffee table.....	14
U-shapped connector.....	17
Sofa cover washing instruction.....	18
Maintenance and Care.....	18



List of Parts in Box A

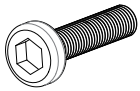
<p>(A) × 4</p> 	<p>(B) × 4</p> 	<p>(C) × 8</p> 
Sofa Seat Part	Middle Sofa Back Part	Middle Sofa Side Part
<p>(SC) × 2</p> 	<p>(PL) × 4</p> 	<p>(J) × 16</p> 
Seat Cushion	Long Back Cushion	High L-Shaped Feet
<p>(K) × 6</p> 	<p>Instructions × 1</p> 	<p>(SSA) × 1</p> 
U-Shaped Connector	Instructions	Screw Set A



Screw Set A

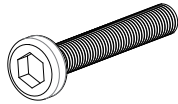
Middle Sofa's Screw × 4

Ⓢ × 8



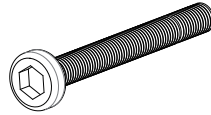
Bolt M6x35

Ⓚ × 2



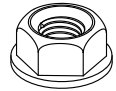
Bolt M6x50

Ⓣ × 8



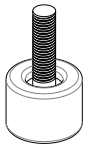
Bolt M6x60

Ⓡ × 10



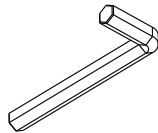
Washer Nut

Ⓟ × 4



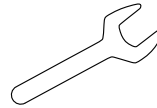
Adjustable Screws

Ⓦ × 1



Spanner

Ⓥ × 1



Wrench

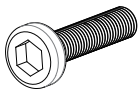
Ⓞ × 10



Aperture Cover

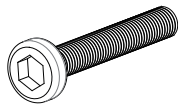
Additional Screws-A

Ⓢ × 2



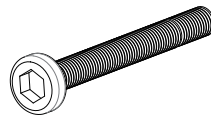
Bolt M6x35

Ⓚ × 1



Bolt M6x50

Ⓣ × 2



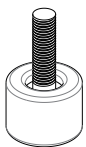
Bolt M6x60

Ⓡ × 2



Washer Nut

Ⓟ × 1



Adjustable Screws

Ⓨ × 1



Restoration of rattan

Ⓩ × 1



Velcro

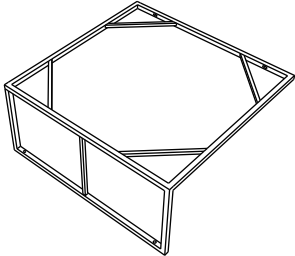
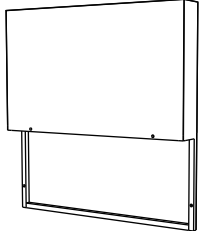
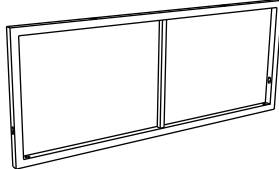
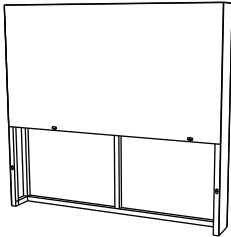
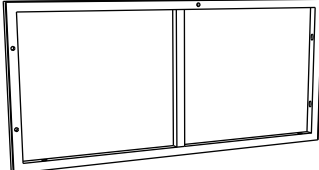
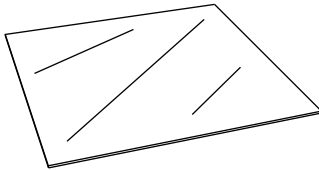
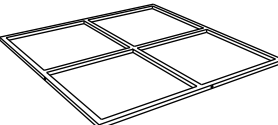
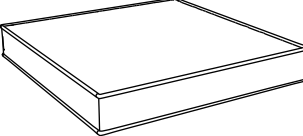
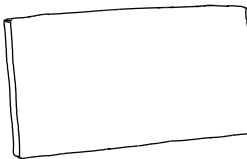
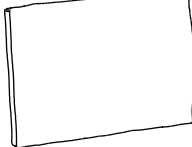
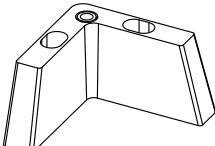
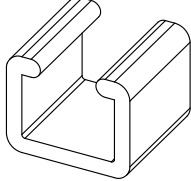


Ⓞ × 1



Aperture Cover



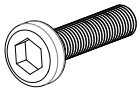
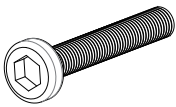
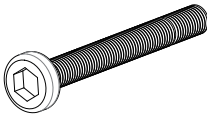

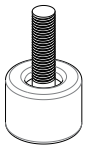
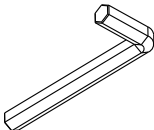
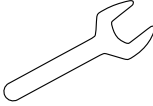

List of Parts in Box B

<p>(A) × 2</p> 	<p>(B) × 2</p> 	<p>(C) × 2</p> 	
<p>Sofa Seat Part</p>	<p>Middle Sofa Back Part</p>	<p>Middle Sofa Side Part</p>	
<p>(D) × 2</p> 	<p>(F) × 4</p> 	<p>(G) × 1</p> 	
<p>Corner Sofa Long Back Part</p>	<p>Coffee Table Side Part</p>	<p>Coffee Table Glass Top</p>	
<p>(H) × 1</p> 	<p>(SC) × 4</p> 	<p>(PL) × 2</p> 	<p>(PS) × 2</p> 
<p>Coffee Table Connector</p>	<p>Seat Cushion</p>	<p>Long Back Cushion</p>	<p>Short Back Cushion</p>
<p>(J) × 14</p> 	<p>(K) × 4</p> 	<p>Instruction × 1</p> 	<p>(SSA) × 1</p> 
<p>High L-Shaped Feet</p>	<p>U-Shaped Connector</p>	<p>Instruction</p>	<p>Screw Set A</p>

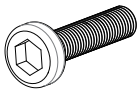
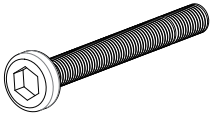
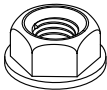
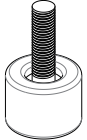
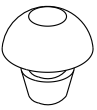
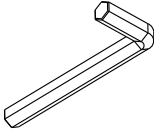
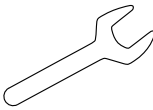


Screw Set B

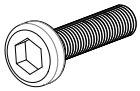
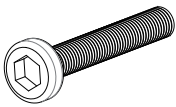
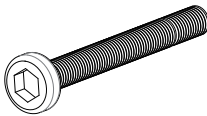

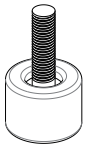
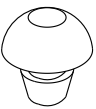


Corner Sofa's Screw × 2

<p>(S) × 4</p>  <p>Bolt M6×35</p>	<p>(Q) × 7</p>  <p>Bolt M6×50</p>	<p>(T) × 8</p>  <p>Bolt M6×60</p>	<p>(R) × 15</p>  <p>Washer Nut</p>
<p>(P) × 4</p>  <p>Adjustable Screws</p>	<p>(W) × 1</p>  <p>Spanner</p>	<p>(V) × 1</p>  <p>Wrench</p>	<p>(O) × 6</p>  <p>Aperture Cover</p>

Coffee Table's Screw × 1

<p>(S) × 8</p>  <p>Bolt M6×35</p>	<p>(T) × 8</p>  <p>Bolt M6×60</p>	<p>(R) × 8</p>  <p>Washer Nut</p>	<p>(P) × 4</p>  <p>Adjustable Screws</p>
<p>(X) × 4</p>  <p>Glass Mat</p>	<p>(W) × 1</p>  <p>Spanner</p>	<p>(V) × 1</p>  <p>Wrench</p>	

Additional Screws-B

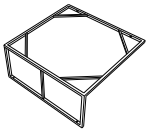
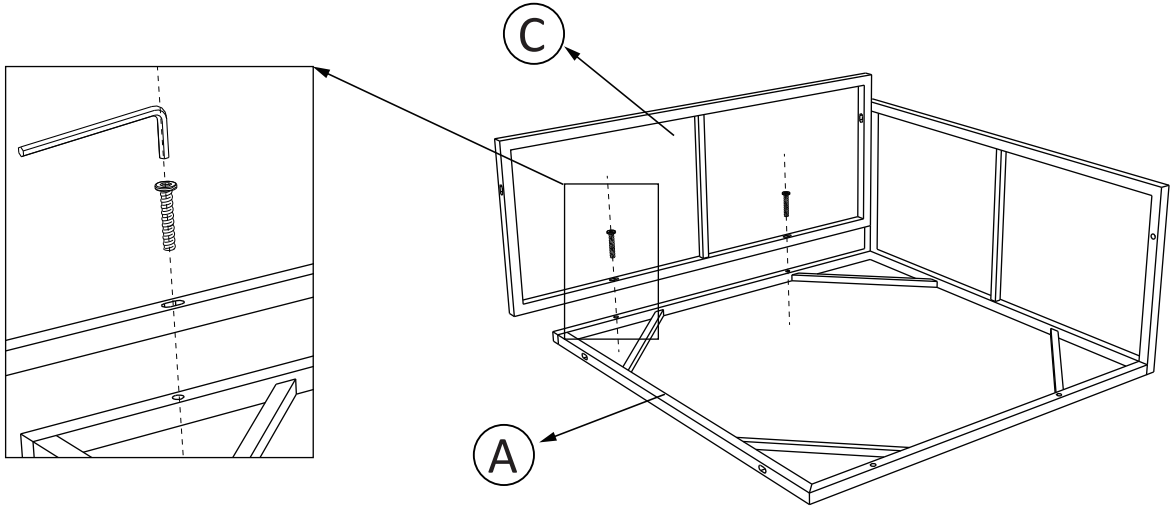
<p>(S) × 2</p>  <p>Bolt M6×35</p>	<p>(Q) × 2</p>  <p>Bolt M6×50</p>	<p>(T) × 2</p>  <p>Bolt M6×60</p>	<p>(R) × 2</p>  <p>Washer Nut</p>
<p>(P) × 1</p>  <p>Adjustable Screws</p>	<p>(X) × 1</p>  <p>Glass Mat</p>	<p>(Z) × 2</p>  <p>Velcro</p>	<p>(O) × 1</p>  <p>Aperture Cover</p>



Step 1

As shown in the figure, install the sofa side panel (C) on one side of the seat board (A), align the holes, and fix them with screws (S).

NOTE:Don't tighten it.



(A) × 1

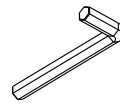


(C) × 1



Bolt M6×35

(S) × 2

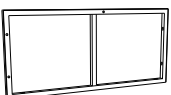
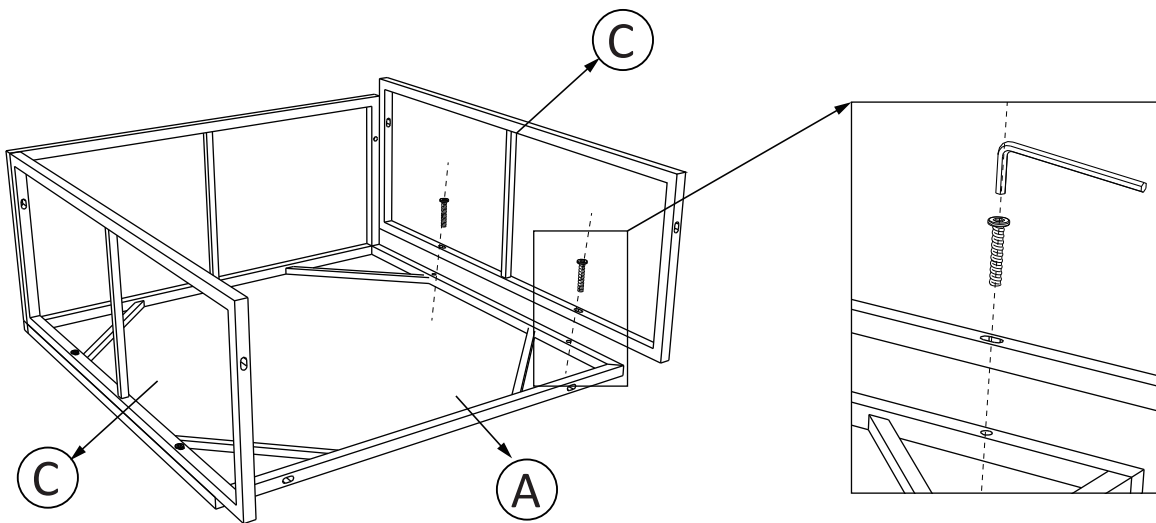


(W) × 1

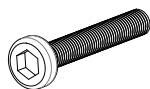
Step 2

As shown in the figure, install the other sofa side panel (C) on the other side of the seat board (A), align the holes, and fix them with screws (S).

NOTE:Don't tighten it.

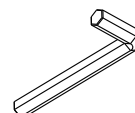


(C) × 1



Bolt M6×35

(S) × 2



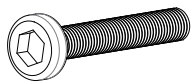
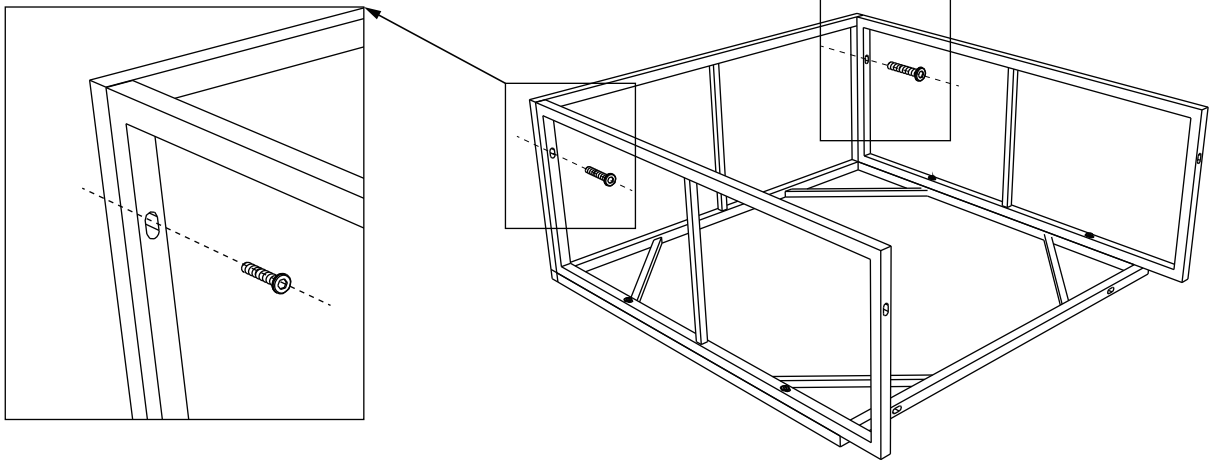
(W) × 1



Step 3

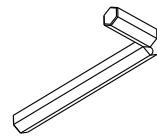
As shown in the figure, install two screws (S) into the holes at the rear of the front side of the sofa side panel and the seat board (A), and screw them in for fixation.

NOTE: Don't tighten it.



Bolt M6x35

(S) × 2

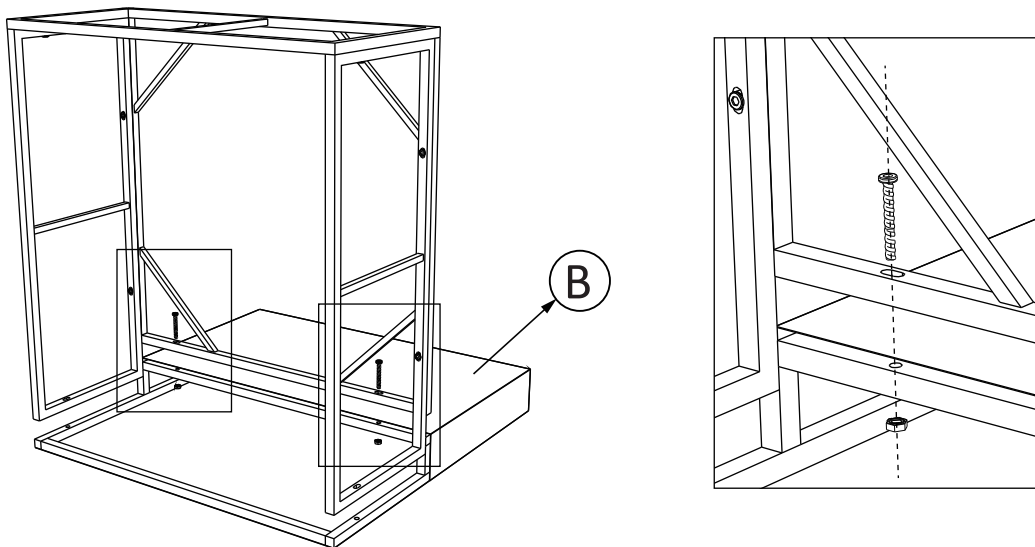


(W) × 1

Step 4

As shown in the figure, combine the installed seat board part with the sofa backrest (B). After aligning the holes, insert the screws (Q) and fix them with nuts (R) from the bottom.

NOTE: Don't tighten it.



(B) × 1

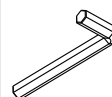


Bolt M6x50

(Q) × 2



(R) × 2



(W) × 1



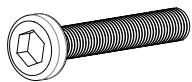
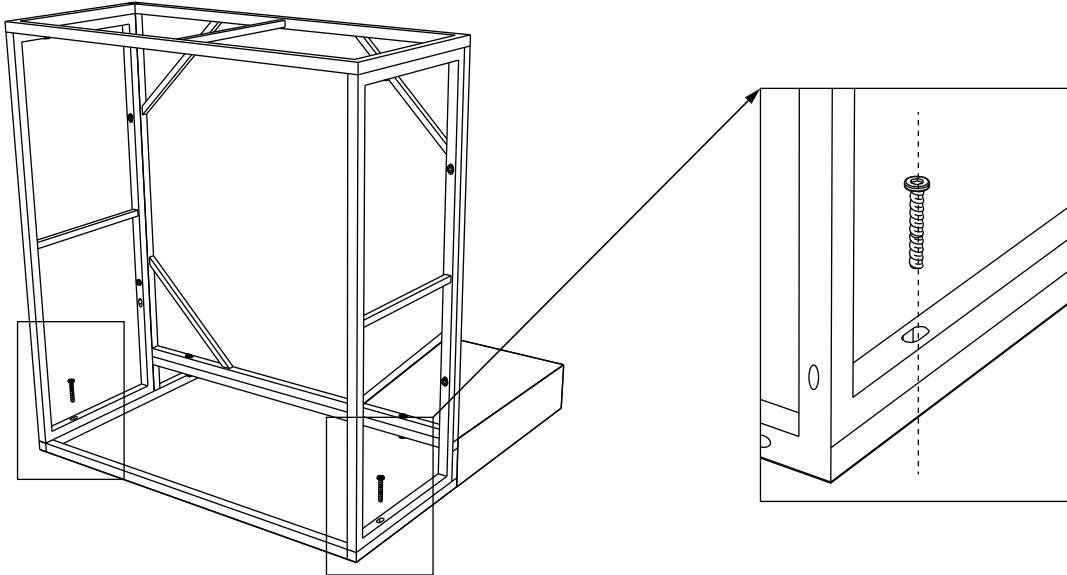
(V) × 1



Step 5

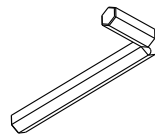
Velcro the underside of the Seat Cushion (SC) to the Seat Part velcro and fasten the Long Back Cushion (PL) to the backrest with a tie-down cord.

NOTE:Please tighten all bolts.



Bolt M6x35

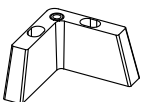
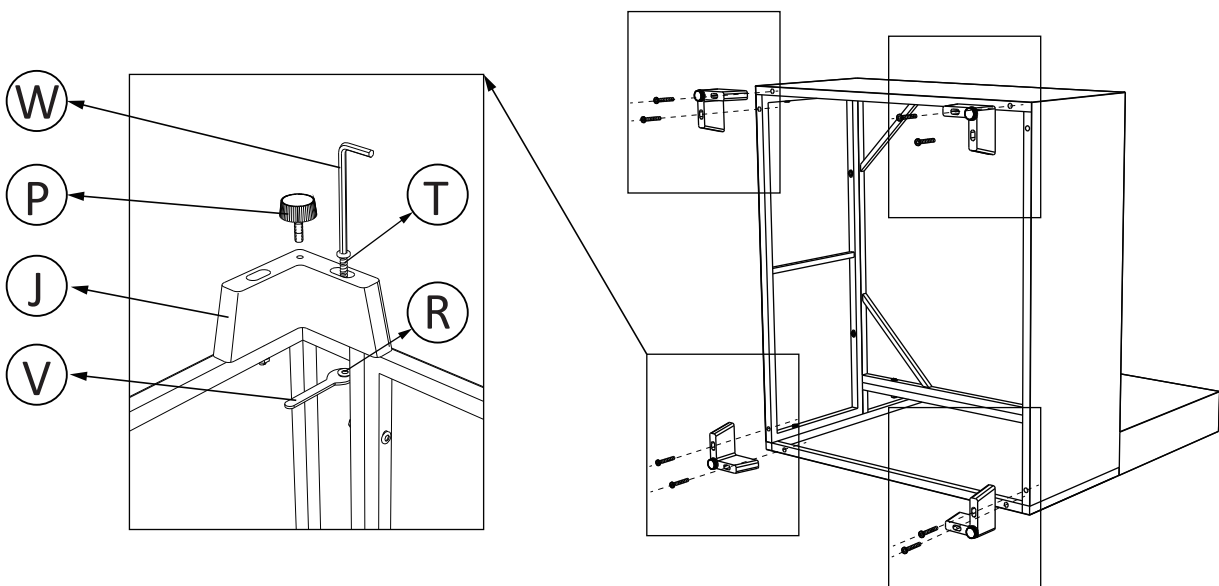
(S) × 2



(W) × 1

Step 6

Assemble the High L-Shaped Feet (J) around the bottom of the sofa using the bolts (T) and nuts (R) and screw the adjusting screws (P) into (J).



(J) × 4



(P) × 4

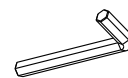


Bolt M6x60

(T) × 8



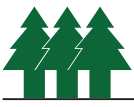
(R) × 8



(W) × 1

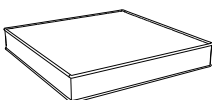
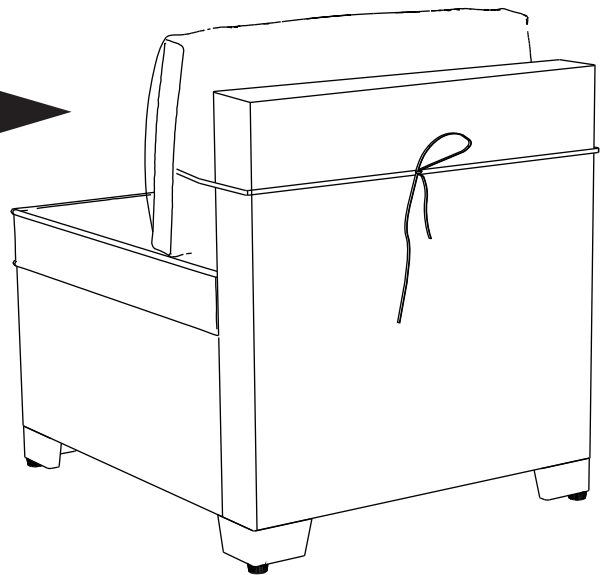
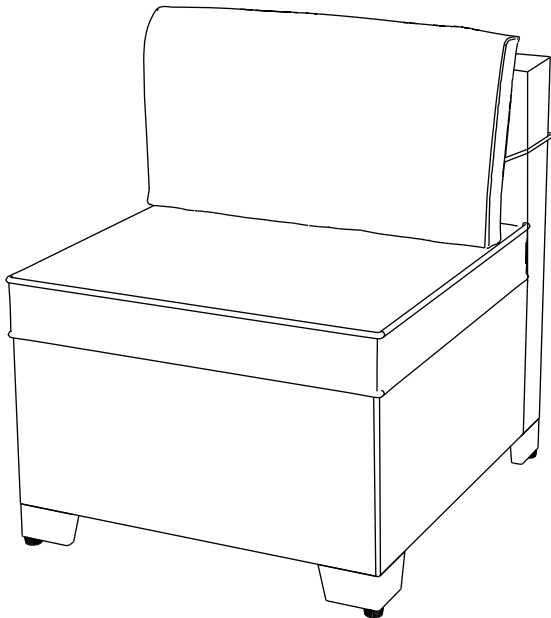
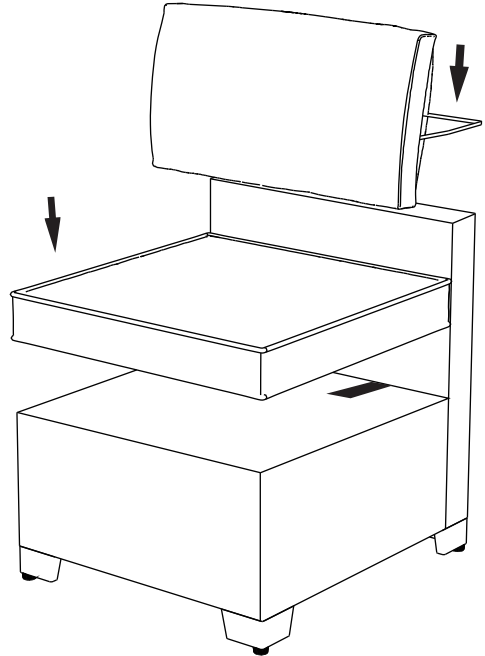
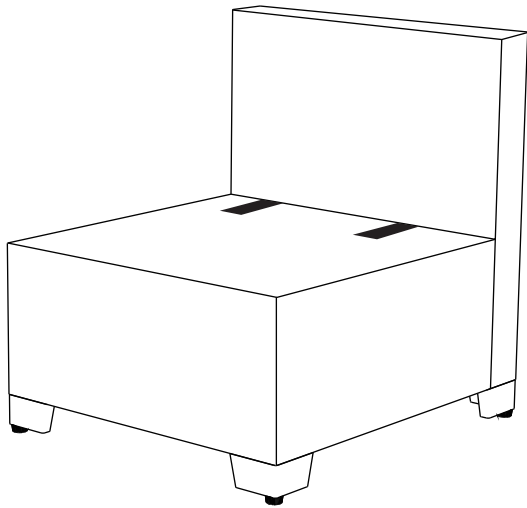


(V) × 1



Step 7

Velcro the underside of the Seat Cushion (SC) to the Seat Part velcro and fasten the Long Back Cushion (PL) to the backrest with a tie-down cord.



ⓈC × 1



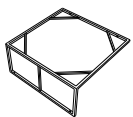
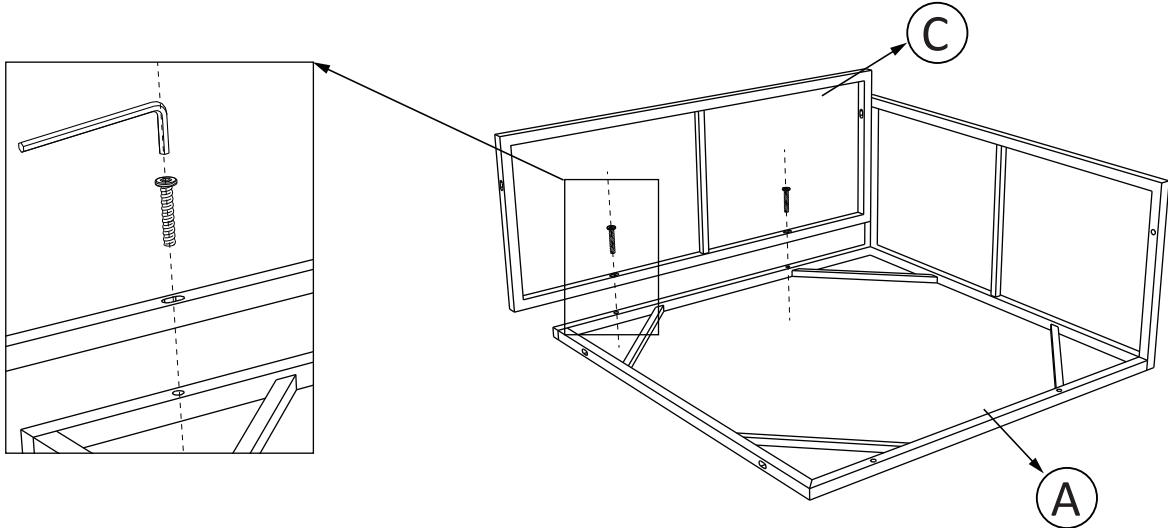
ⓅL × 1



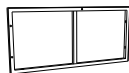
Step 1

As shown in the figure, install the sofa side panel (C) on one side of the seat board (A), align the holes, and fix them with screws (S).

NOTE: Don't tighten it.



(A) × 1

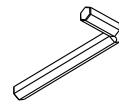


(C) × 1



Bolt M6x35

(S) × 2

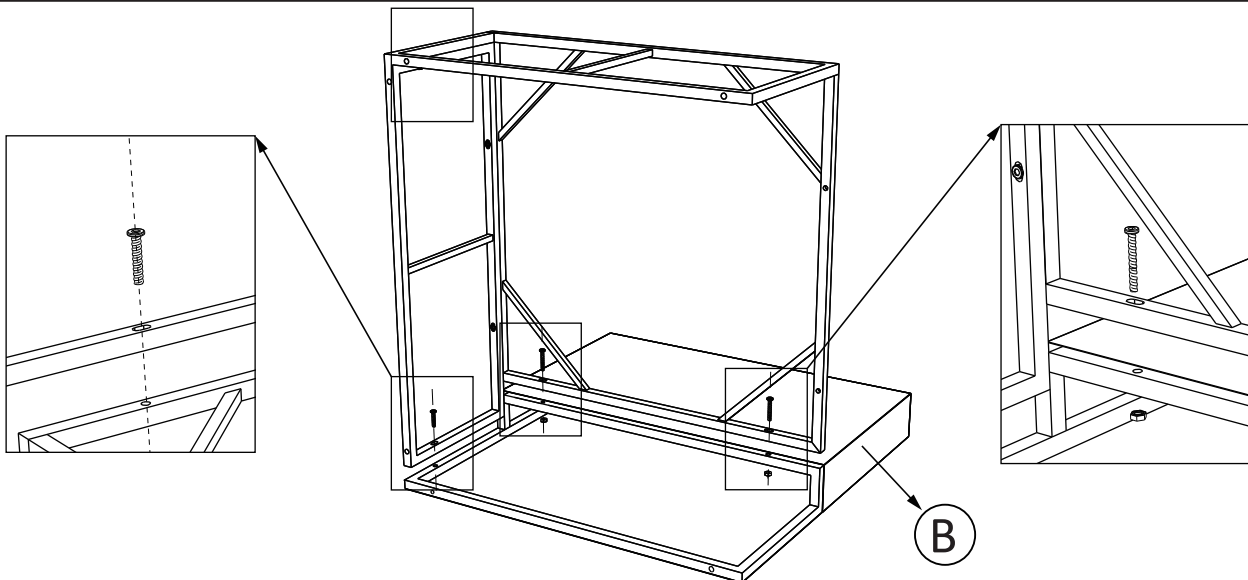


(W) × 1

Step 2

As shown in the figure, combine the installed seat board with the back panel, and use screws (S) to fix them in the front screw holes of the back panel (B) and the seat board (A) respectively. Then pass screws (Q) through the aligned holes of the seat board (A) and the back panel (B), and fix them with nuts (R) at the other end.

NOTE: Don't tighten it.



(B) × 1



Bolt M6x35

(S) × 2

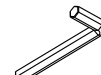


Bolt M6x50

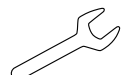
(Q) × 2



(R) × 2



(W) × 1

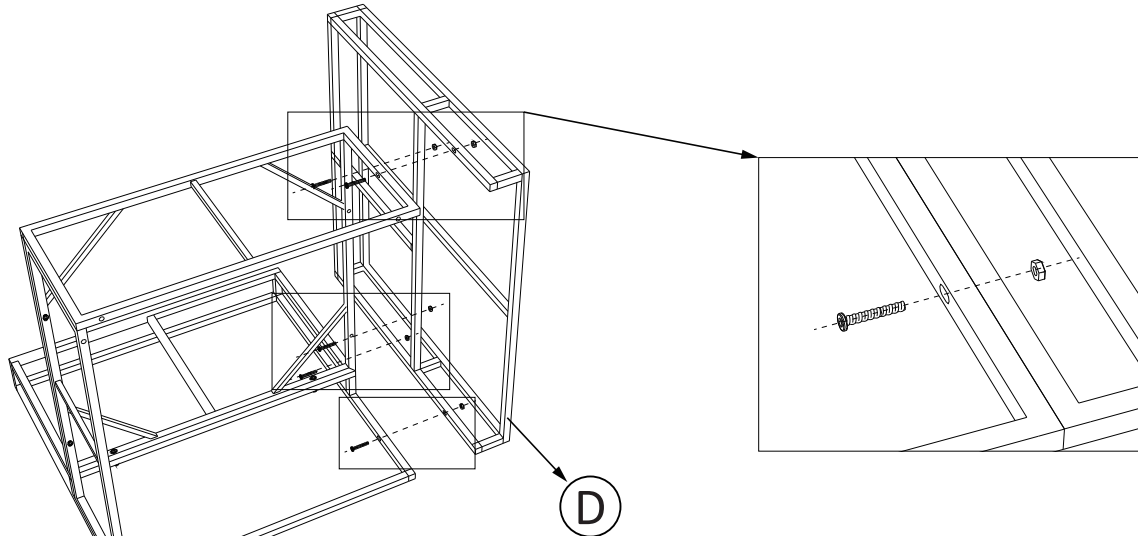


(V) × 1



Step 3

Combine the installed part with the long backrest. As shown in the figure, install the long backrest on the side without the side panel (C), insert the screws (Q) through the through-holes, and then fix them by screwing in the nuts (R).
NOTE:Please tighten all bolts.



ⓓ × 1



Bolt M6x50

Ⓚ × 5



Ⓡ × 5



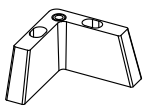
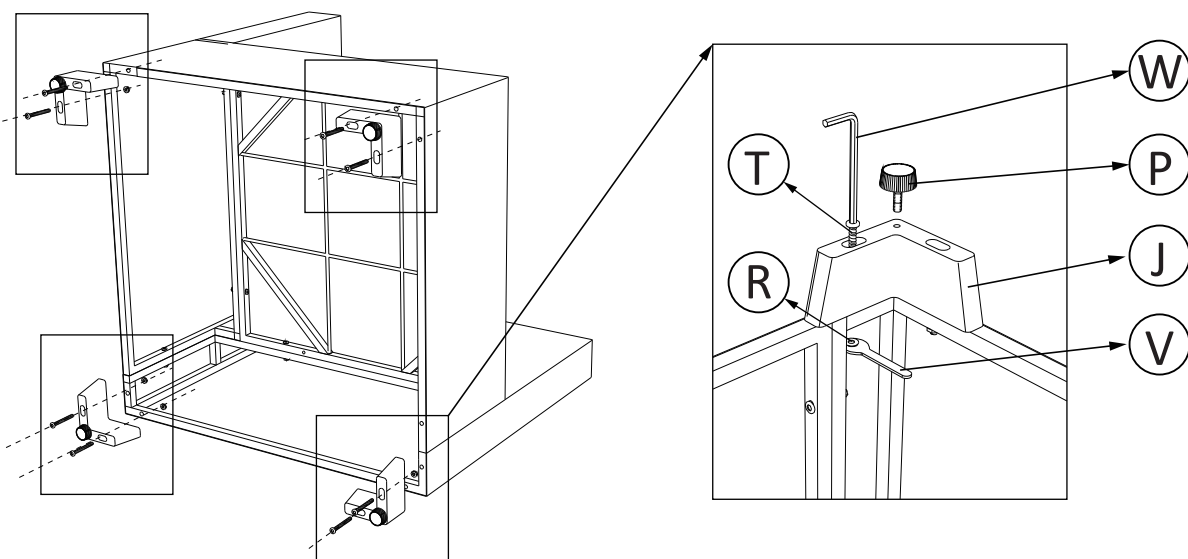
Ⓦ × 1



Ⓥ × 1

Step 4

Assemble the High L-Shaped Feet (J) around the bottom of the sofa using the bolts (T) and nuts (R) and screw the adjusting screws (P) into (J).

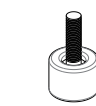


ⓙ × 4

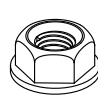


Bolt M6x60

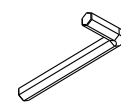
Ⓣ × 8



Ⓟ × 4



Ⓡ × 8



Ⓦ × 1

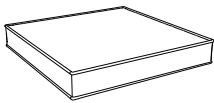
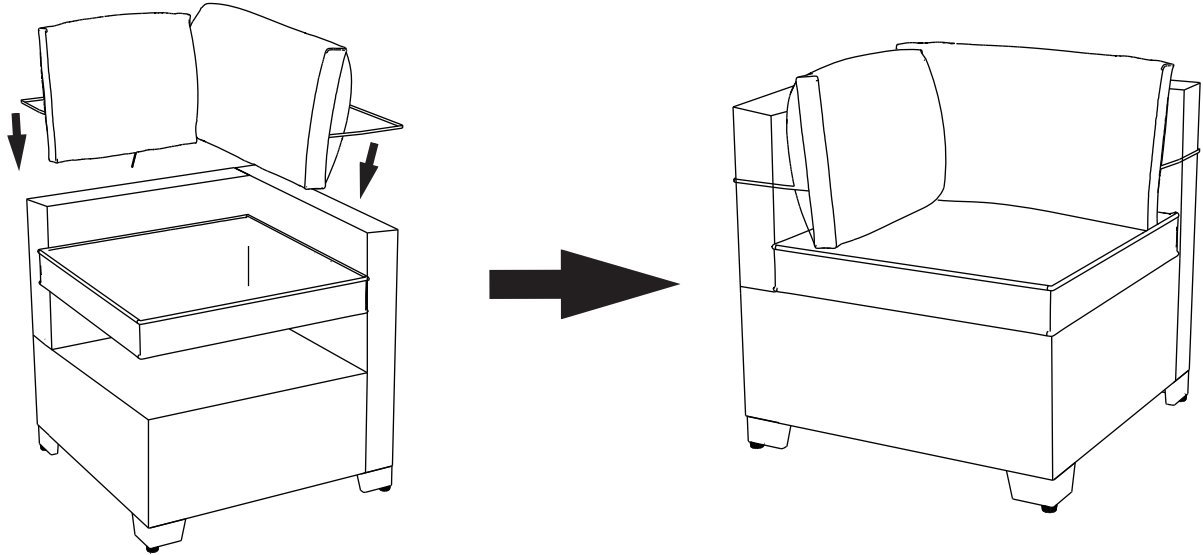


Ⓥ × 1

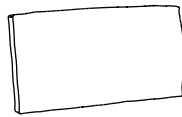


Step 5

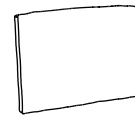
Velcro the underside of the Seat Cushion (SC) to the Seat Part velcro and fasten the Long Back Cushion (PL) and the Short Back Cushion(PS) to the backrest with a tie-down cord.



Ⓢ × 1



Ⓟ × 1

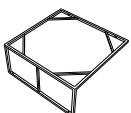
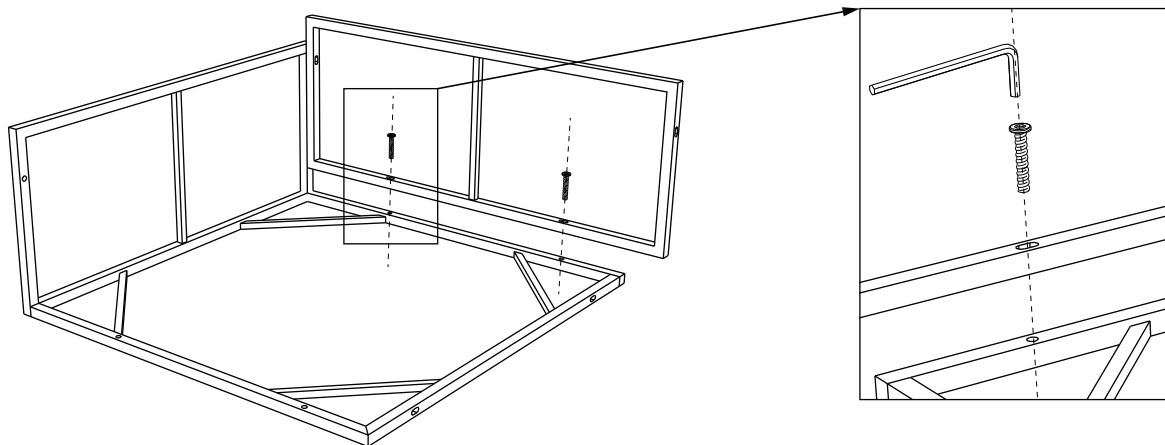


Ⓟ × 1

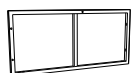
Step 1

As shown in the figure, install the sofa side panel (C) on one side of the seat board (A), align the holes, and fix them with screws (S).

NOTE:Don't tighten it.



Ⓐ × 1

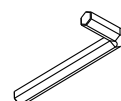


Ⓒ × 1



Bolt M6x35

Ⓢ × 2

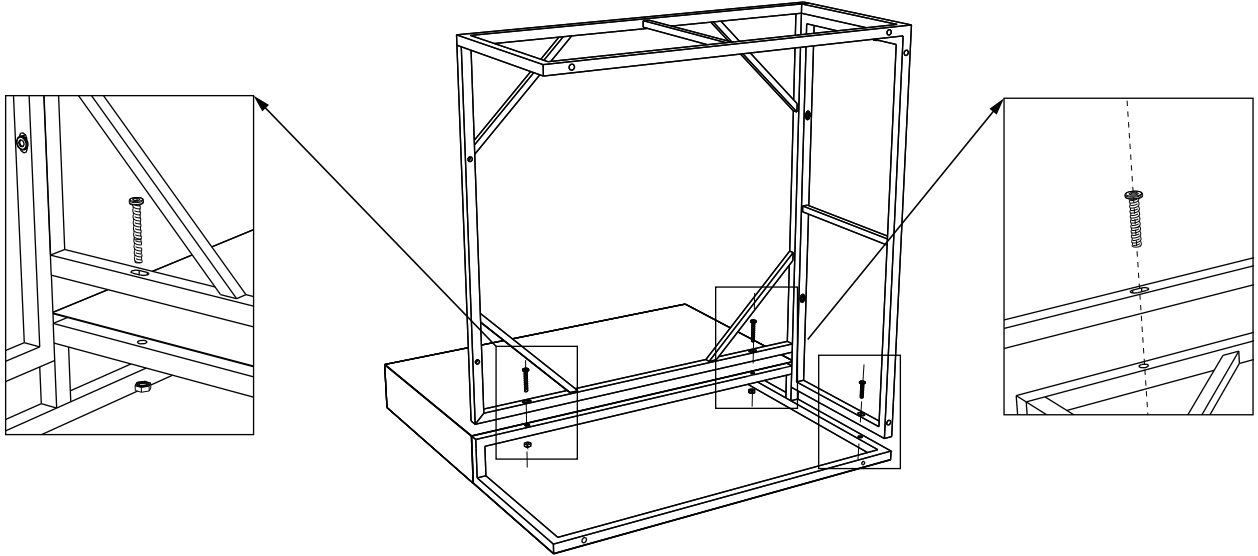


Ⓦ × 1



Step 2

As shown in the figure, combine the installed seat board with the back panel, and use screws (S) to fix them in the front screw holes of the back panel (B) and the seat board (A) respectively. Then pass screws (Q) through the aligned holes of the seat board (A) and the back panel (B), and fix them with nuts (R) at the other end. **NOTE:**Don't tighten it.

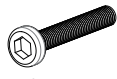


ⓑ × 1



Bolt M6x35

Ⓢ × 2

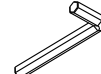


Bolt M6x50

Ⓚ × 2



Ⓡ × 2



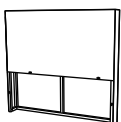
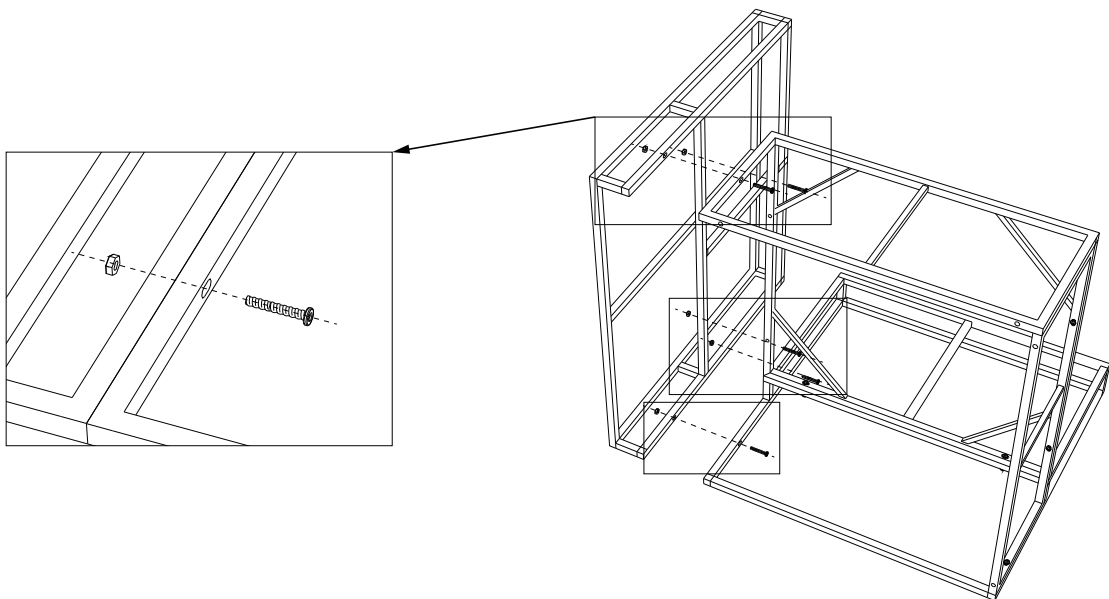
Ⓦ × 1



Ⓥ × 1

Step 3

Combine the installed part with the long backrest. As shown in the figure, install the long backrest on the side without the side panel (C), insert the screws (Q) through the through-holes, and then fix them by screwing in the nuts (R). **NOTE:**Please tighten all bolts.



ⓓ × 1



Bolt M6x50

Ⓚ × 5



Ⓡ × 5



Ⓦ × 1

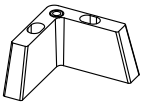
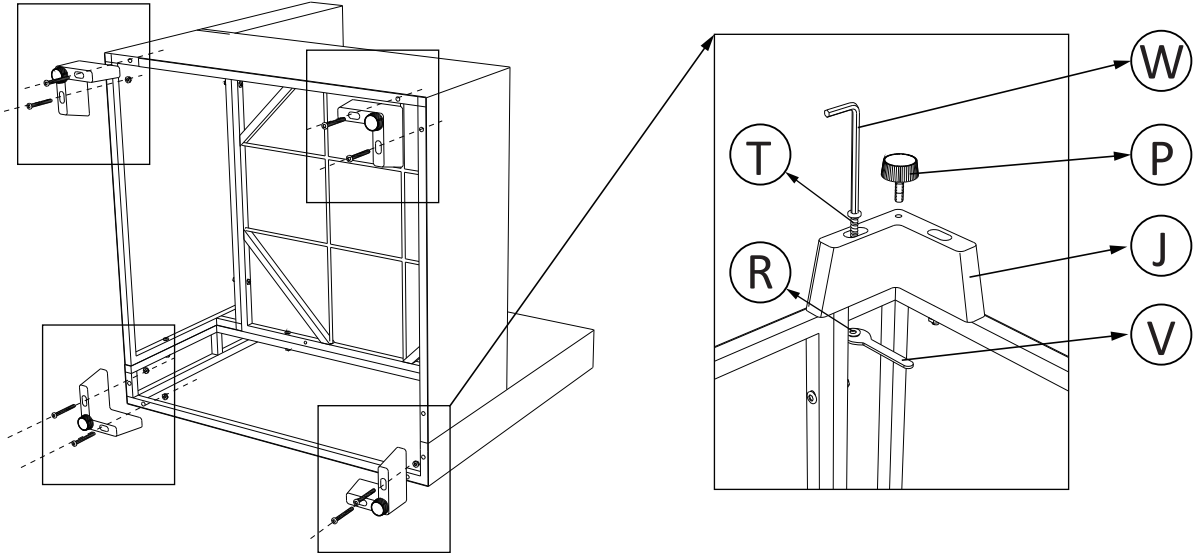


Ⓥ × 1



Step 4

Assemble the High L-Shaped Feet (J) around the bottom of the sofa using the bolts (T) and nuts (R) and screw the adjusting screws (P) into (J).

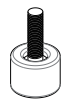


(J) × 4



Bolt M6x60

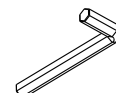
(T) × 8



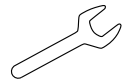
(P) × 4



(R) × 8



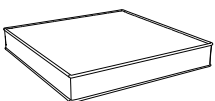
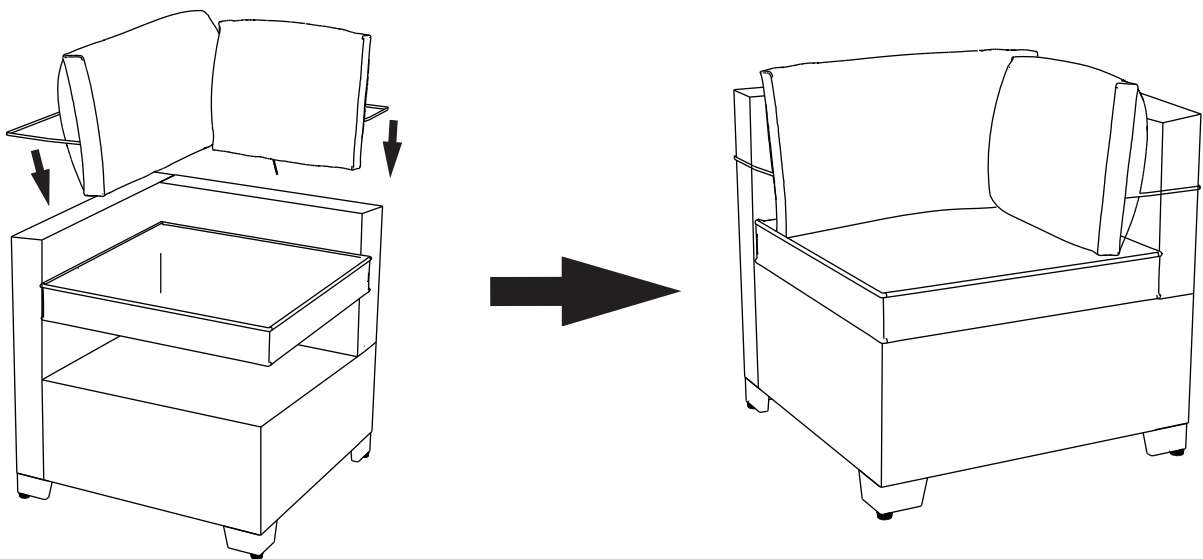
(W) × 1



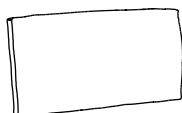
(V) × 1

Step 5

Velcro the underside of the Seat Cushion (SC) to the Seat Part velcro and fasten the Long Back Cushion (PL) and the Short Back Cushion (PS) to the backrest with a tie-down cord.



(SC) × 1



(PL) × 1

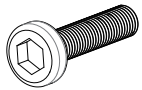
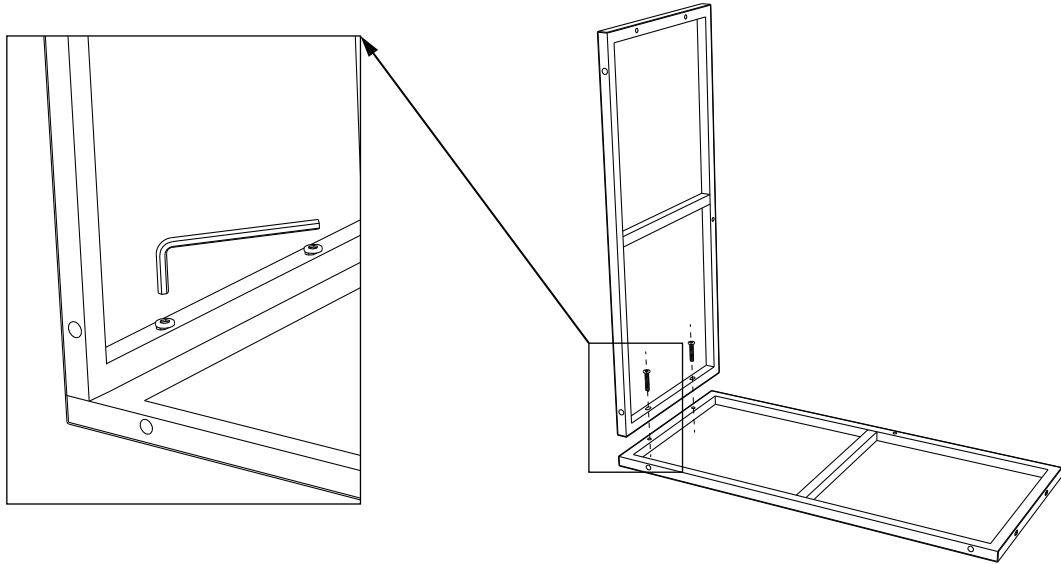


(PS) × 1



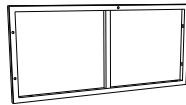
Step 1

Assemble the two Coffee Table Side Parts(F) with bolts (S).
NOTE:Don't tighten it.

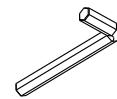


Bolt M6×35

Ⓢ × 2



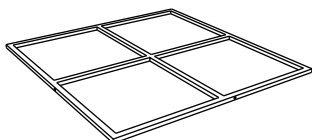
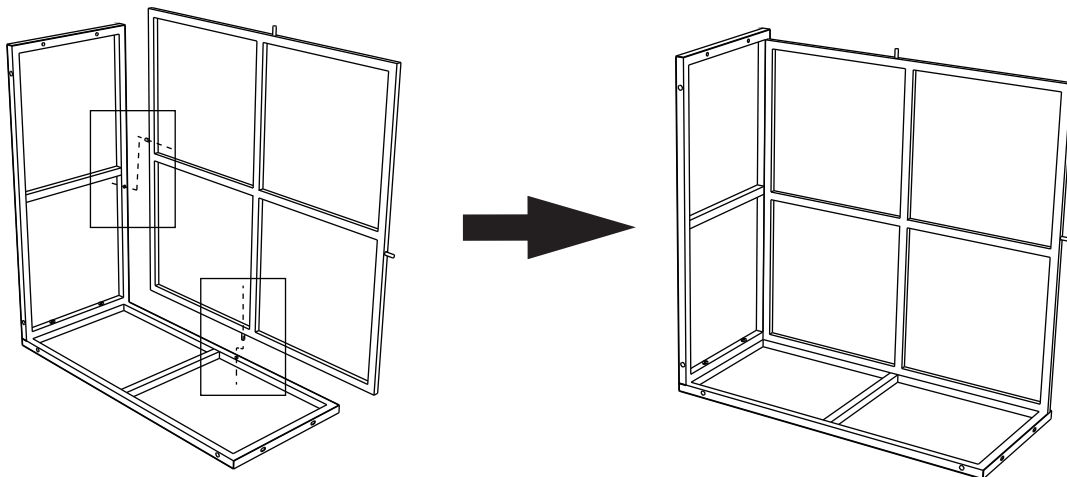
ⓕ × 2



Ⓦ × 1

Step 2

Insert the Coffee Table Connector (H) into the mounted two Side Parts.

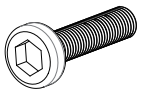
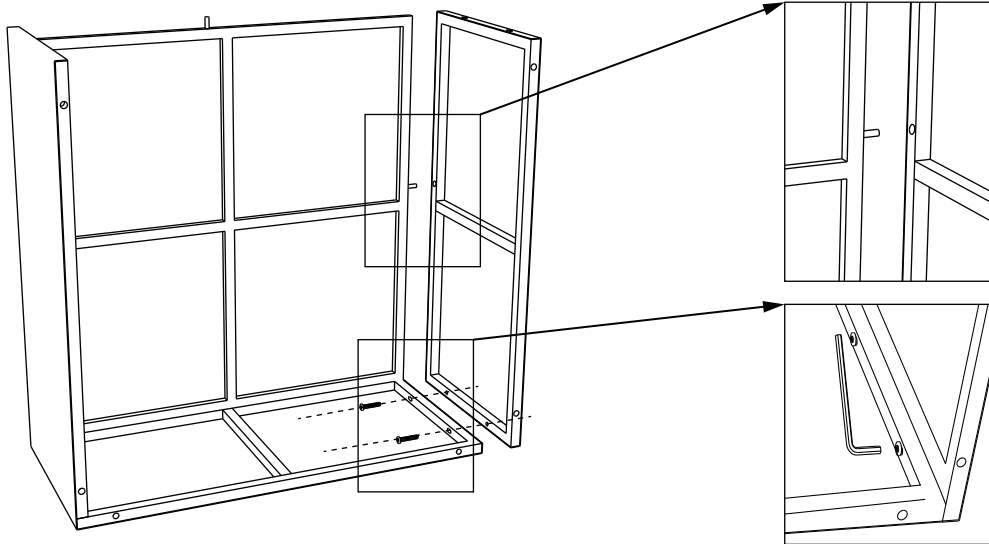


ⓗ × 1



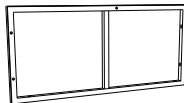
Step 3

Assemble one side Coffee Table Side Part (F) using bolt (S).
NOTE:Don't tighten it.

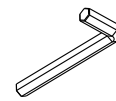


Bolt M6x35

(S) × 2



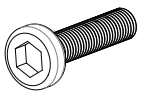
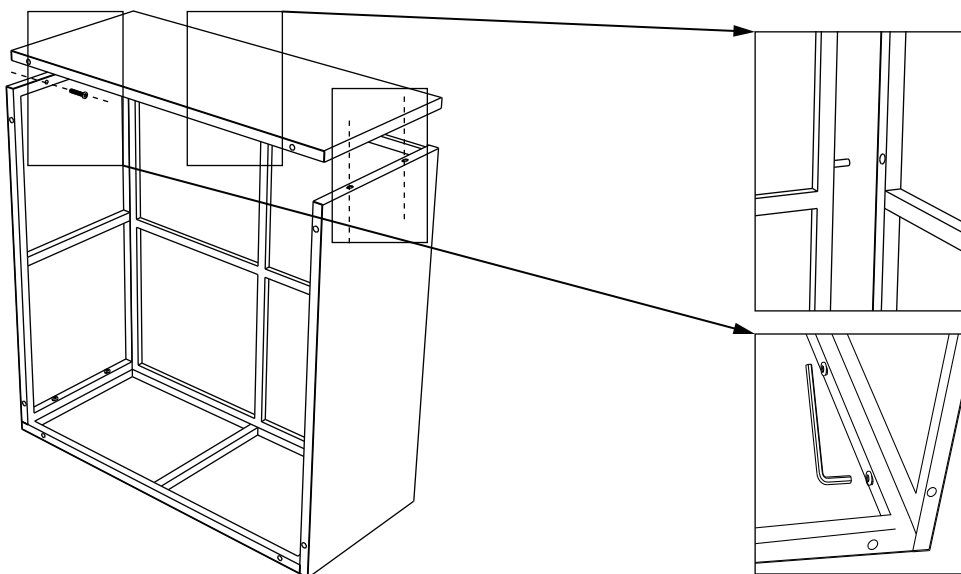
(F) × 1



(W) × 1

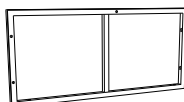
Step 4

Assemble one side Coffee Table Side Part (F) using bolt (S).
NOTE:Please tighten all bolts.

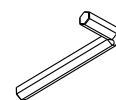


Bolt M6x35

(S) × 4



(F) × 1

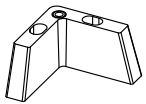
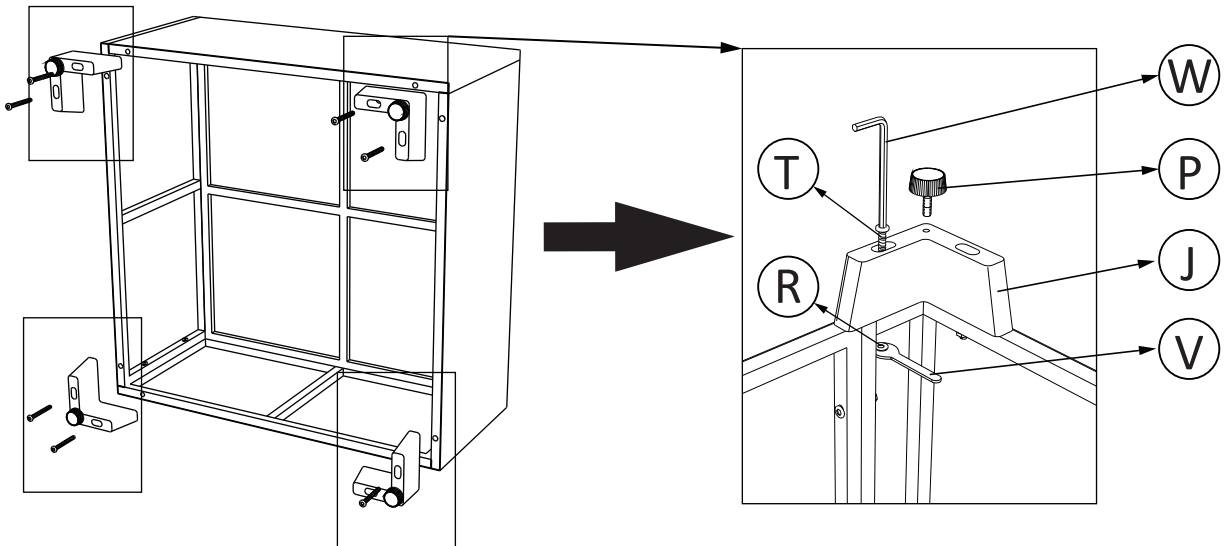


(W) × 1



Step 5

Assemble the High L-Shaped Feet (J) around the bottom of the coffee table using the bolts (T) and nuts (R) and screw the adjusting screws (P) into (J).

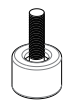


(J) × 4



Bolt M6×60

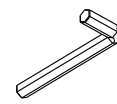
(T) × 8



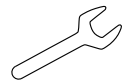
(P) × 4



(R) × 8



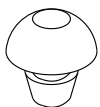
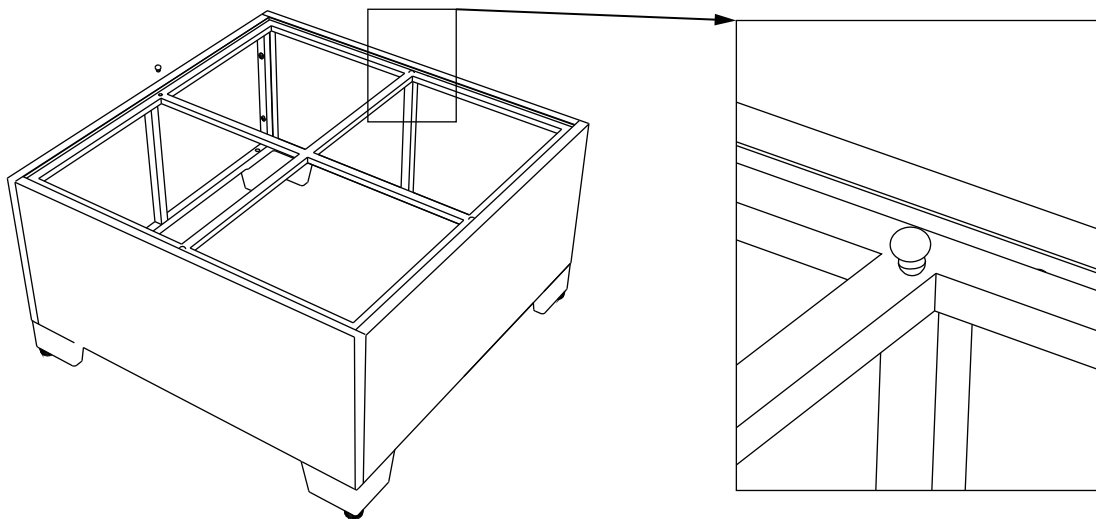
(W) × 1



(V) × 1

Step 6

Install the Glass Mat (X) in the upper hole of the Coffee Table Connection (H).

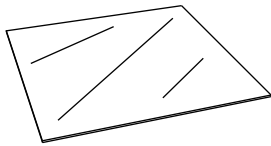
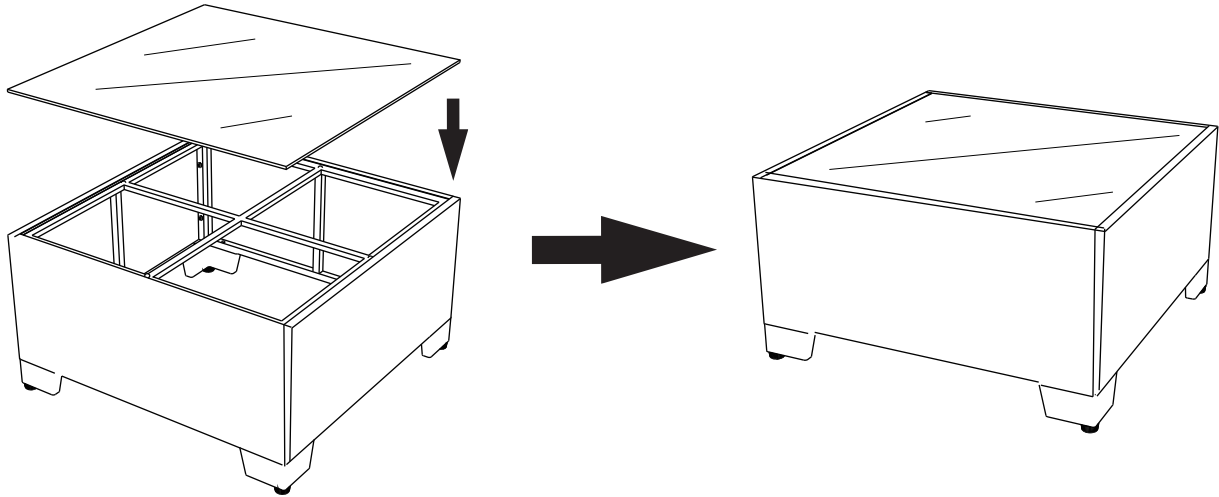


(X) × 4

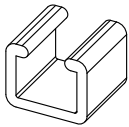


Step 7

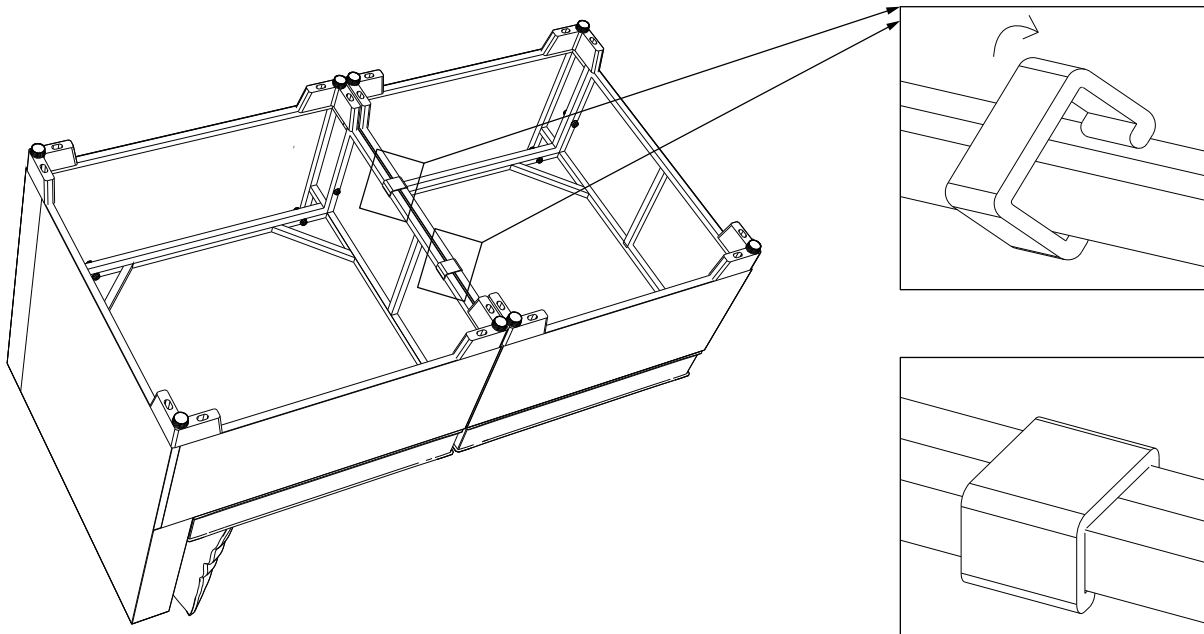
Finally, place the Coffee Table Glass (G) on the Coffee Table Connection (H).



ⓐ × 1



U-shapped connector instructions





Sofa cover washing instruction



Back pillow



Take the back insert out of the fabric cover



Wash the cloth cover after removing it



Seat Cushion



Take the cushion insert out of the fabric cover

Maintenance and Care

Cleaning

For the rattan frame, use a damp cloth to clean off dust, dirt, or stains. Avoid using harsh chemicals, abrasive cleaners, or scrubbers.

For the cushions and pillows, follow the care instructions on the covers. Wash removable covers in cold water, and for non-removable covers, spot clean with mild soap and water.

Storage

If the sofa set is not in use for extended periods, cover the furniture or store it indoors in a dry, cool location to prevent damage from weather or dirt.

Inspection:

Regularly check the furniture for any loose parts, wear, or damage. Tighten screws and bolts as needed, and replace any damaged components promptly.