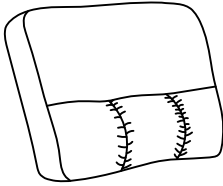
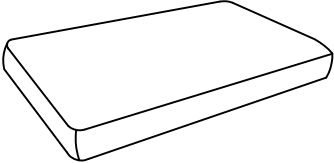
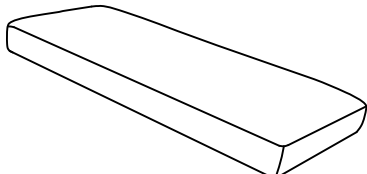
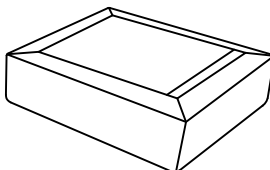
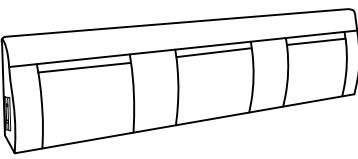
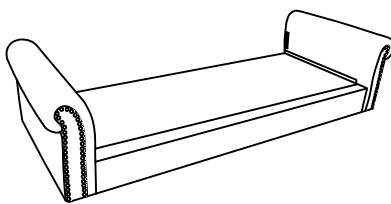


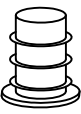
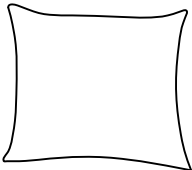


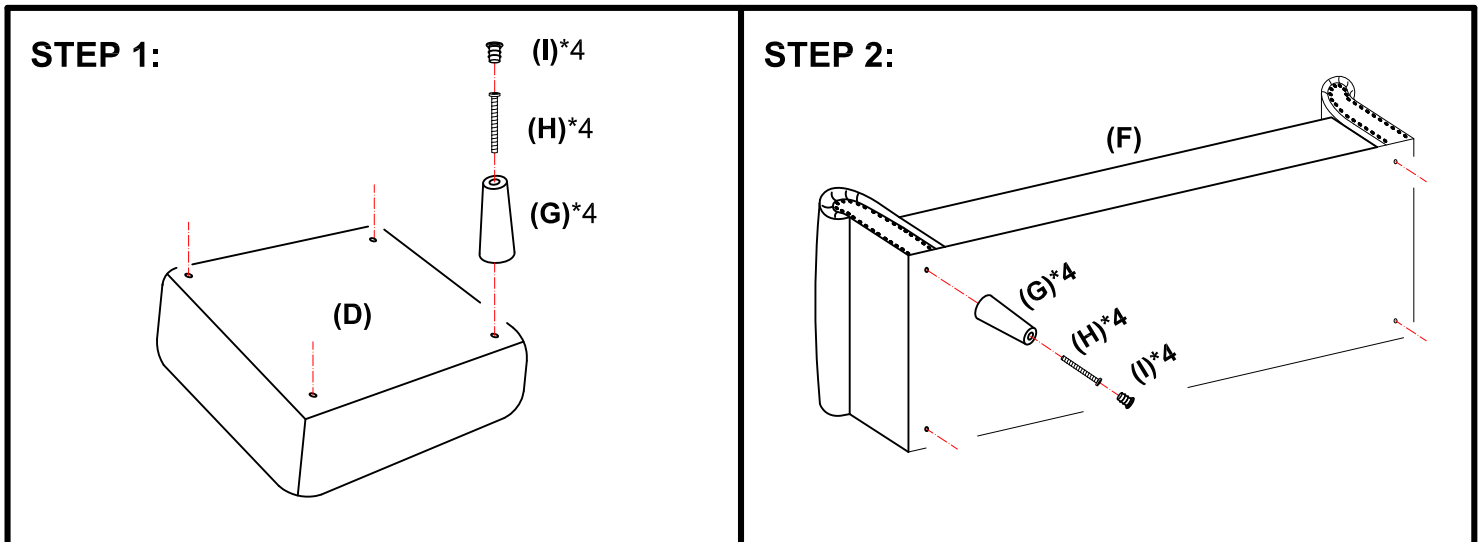
Model: F6447/F6448/F6449(SECTIONAL W/ 2 ACCENT PILLOW)

ASSEMBLY INSTRUCTIONS

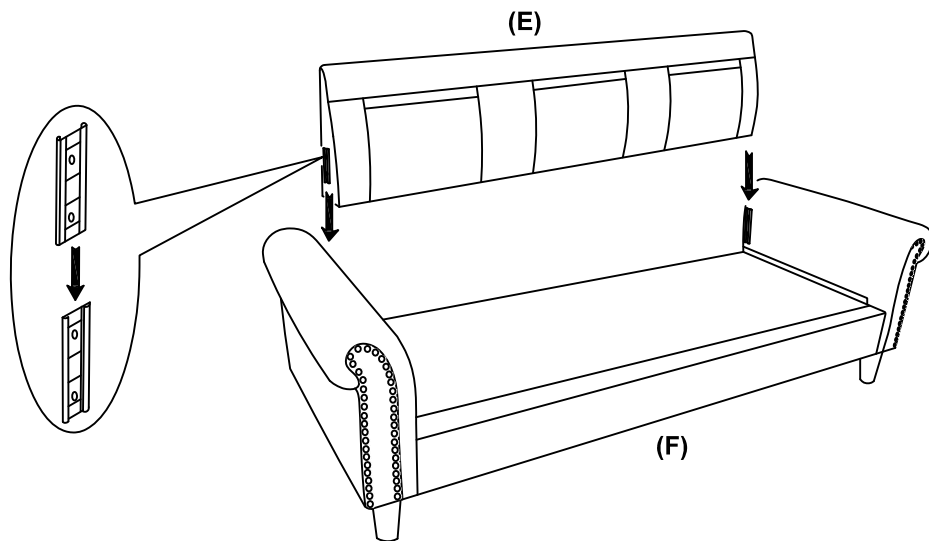
Parts list:

| | | | |
|---|---|--|---|
| A BACK CUSHIONS (3 PCS)  | B SEAT CUSHION (1 PC)  | C SEAT CUSHION (1 PC)  | |
| D SEAT FRAME (1 PC)  | E BACK FRAME (1 PC)  | F SEAT FRAME (1 PC)  | |
| G LEGS (8 PCS)  | H BOLTS (8 PCS)  | I PLASTIC CAPS (8PCS)  | J PILLOWS (2 PCS)  |

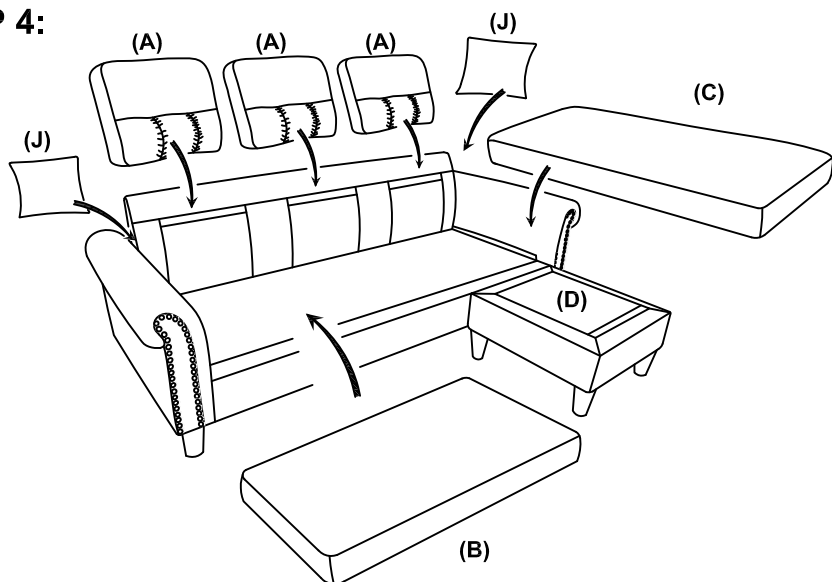
How to assemble:



STEP 3:



STEP 4:



OR

