

NOTICE

- * Please make sure that you have all parts indicated and they are in good condition before you begin assembly of this item. Refer to part list and hardware list below for guidance.
- * This item should be assembled on a soft surface to prevent scratching the finish during assembly.
- * This item may require periodic tightening.
- * If you are having difficulty, our friendly Customer Care team is always here to help. Please email customersupport@safavieh.com

PREPARATION

- * Before beginning assembly of product, ensure all parts are present by comparing them with the Parts List and Hardware List.
- * If any part is missing or damaged, do not attempt to assemble the product.
- * Estimated assembly time: 20 minutes.
- * Tools required for assembly (included) : Allen Key

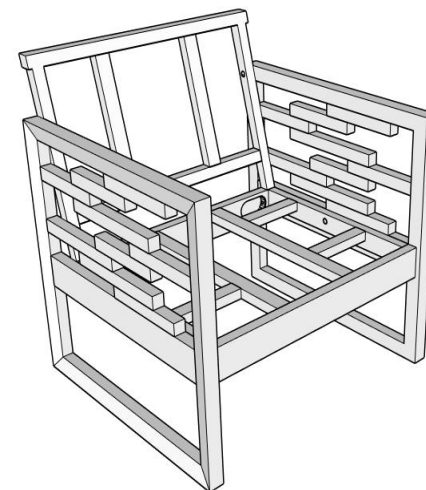
CARE AND MAINTENANCE

Always use felt pads under all items to prevent discoloration or softening of the lacquer finish. Be aware that plastic and rubber bases can discolor wood surfaces. Wipe up spills immediately and avoid common hazards such as hot dishes, harsh solvents, and abrasive materials. For cleaning, use a soft, lint-free cotton cloth dampened with water or a furniture polish. For surfaces that are frequently used, we recommend applying a high-quality paste wax regularly to provide additional protection against scratches and spills. The frequency of wax application depends on the amount of use and wear the furniture receives.

 **SAFAVIEH**
FURNITURE

Item ID : ACH1205

Product Dimensions : W : 29.9 " x D : 28.7 " x H : 31.1 "



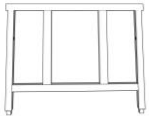
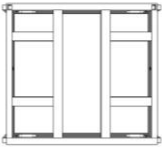
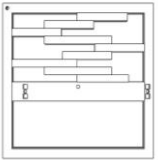
 **WARNING :** 




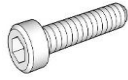


Weight Capacity - 275 LBS

Warning : Do not stand on chair.

Warning : Do not over torque bolts.

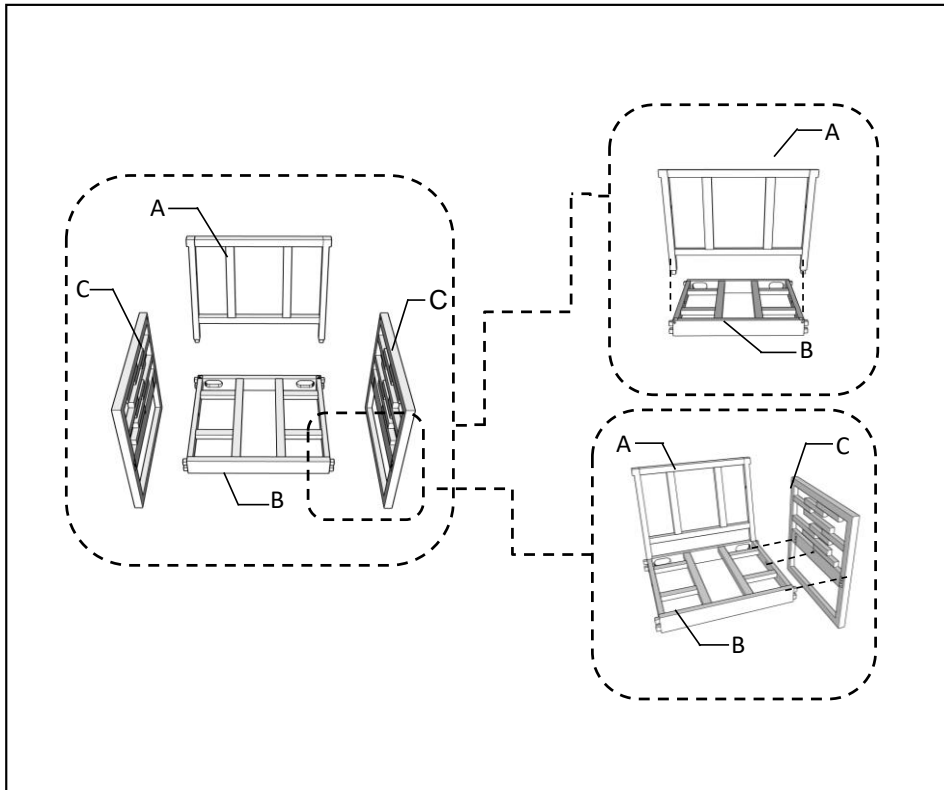
Part List and Hardware List

PIECE	DESCRIPTION	PICTURE	QUANTITY
A	Backrest Frame		1X
B	Seat Frame		1X
C	Legs Frame		2X

PIECE	DESCRIPTION	PICTURE	QUANTITY
HW1	Allen Long Bolt : M8 x Ø 8 mm x 70 mm		4X
HW2	Curve Iron Plate : 20 x 50 mm , Ø 8 mm		4X
HW3	Split Lock Washer : M8 x Ø 8 mm		6X
HW4	Allen Bolt : M8 x Ø 8 mm x 45 mm		6X
HW5	Hole Cap : Ø 15 mm x 5 mm		6X
HW6	Allen Key : M8 x 8 mm		1X

PREPARATION

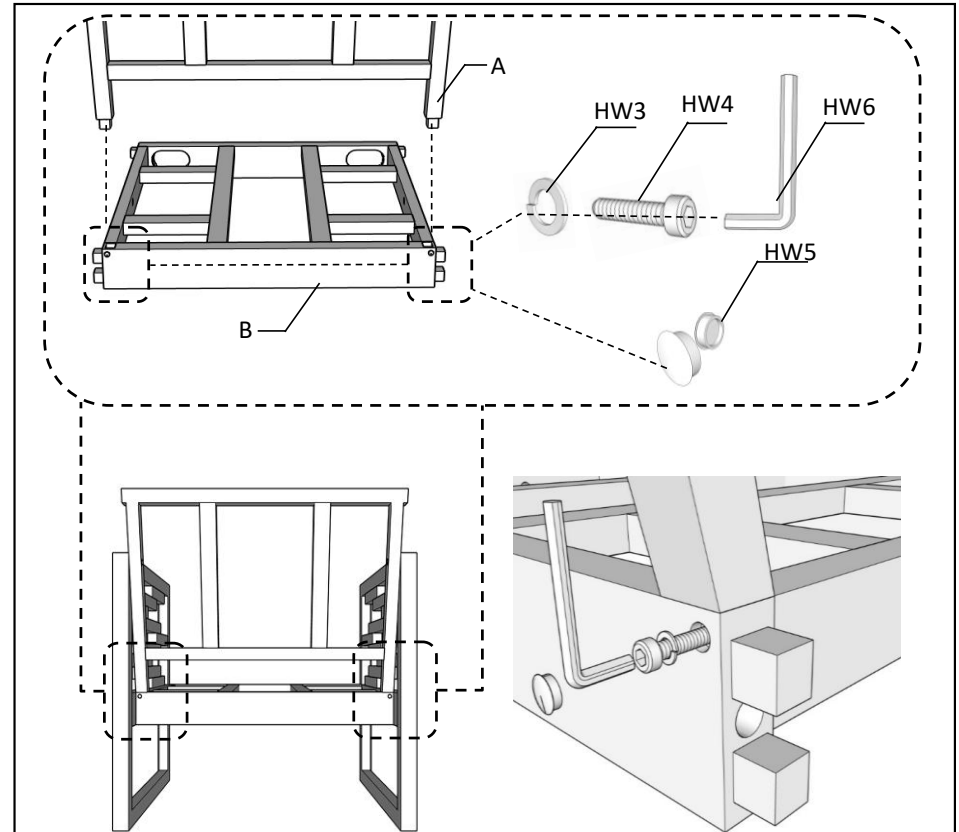
- * Before beginning assembly of product, ensure all parts are present by comparing them with the Parts List and Hardware List.
 - * If any part is missing or damaged, do not attempt to assemble the product.
 - * Estimated assembly time: 20 minutes.
 - * Tools required for assembly (included) : Allen Key
 - * If you are having difficulty, our friendly Customer Care team is always here to help.
- Please email customersupport@safavieh.com



STEP 1 :

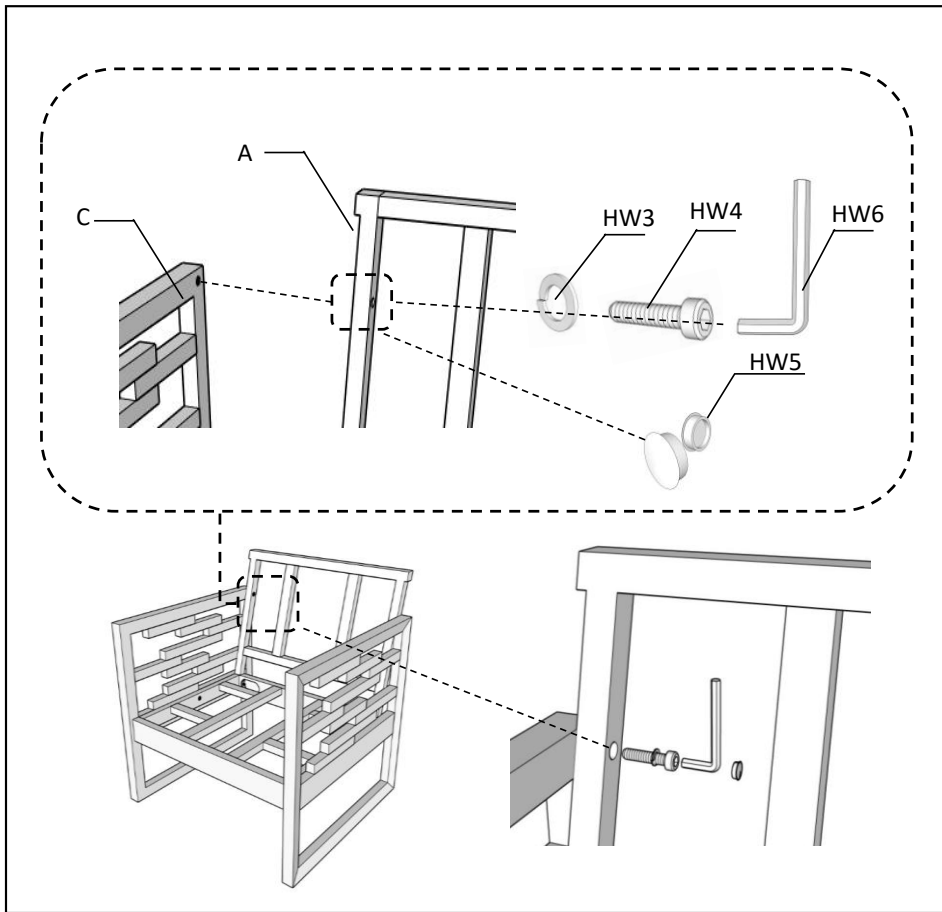
Assembly of Frame (A), (B), and (C) as shown above :

- Use Split Lock Washer (HW3) and Allen bolt (HW4) to connect (A) to (B).
- Use Split Lock Washer (HW3) and Allen bolt (HW4) to connect the Legs (C) to (A).
- Use Allen Long Bolt (HW1), Curve Iron Plate (HW2), Split Lock Washer (HW3), and Allen bolt (HW4) [Step 5] to connect the Legs (C) to (B).



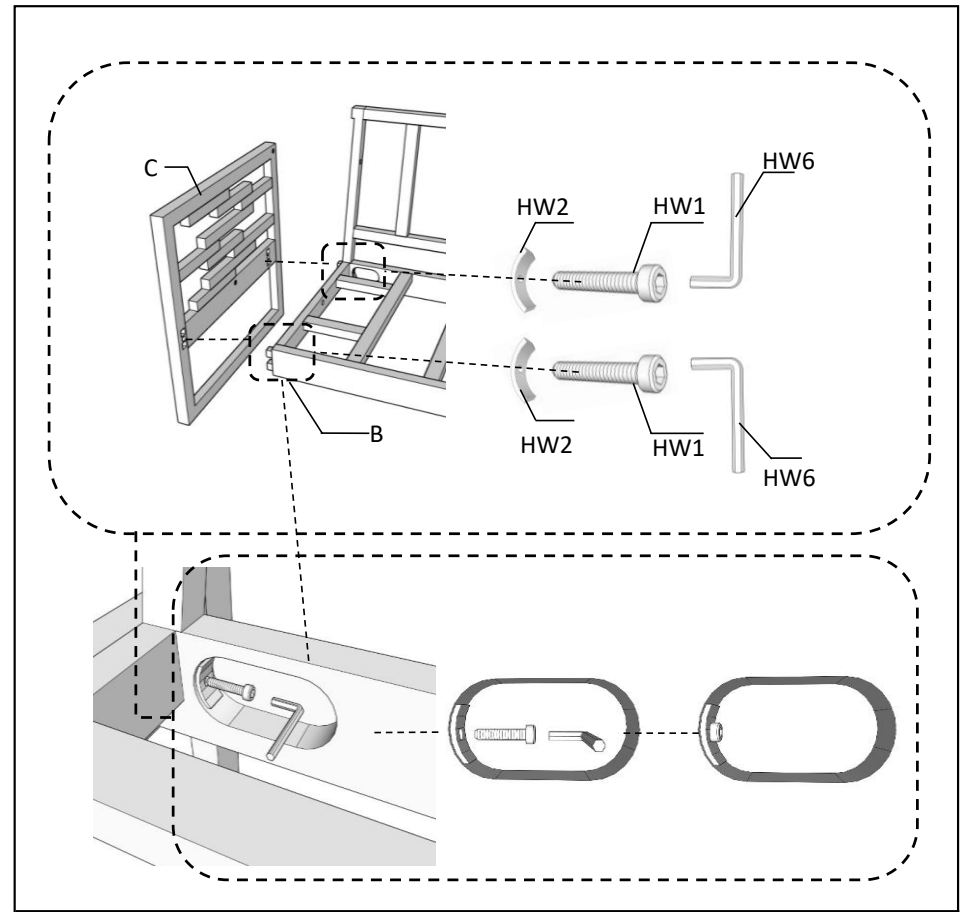
STEP 2 :

Assemble the Backrest Frame (A) and Seat Frame (B) using Split Lock Washer (HW3) and Allen Bolt (HW4), fasten it with the Allen Key (HW6), and cover with Hole Cap (HW5); Repeat for opposite side.



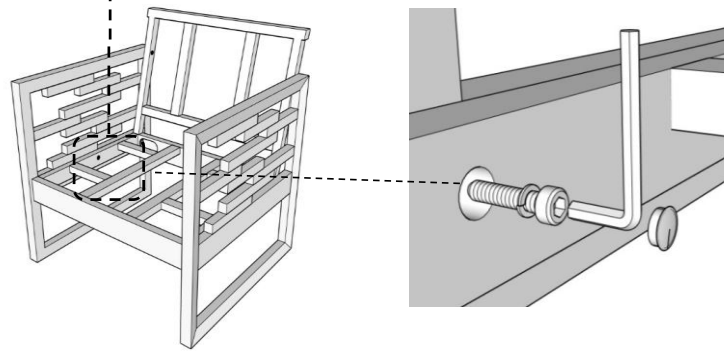
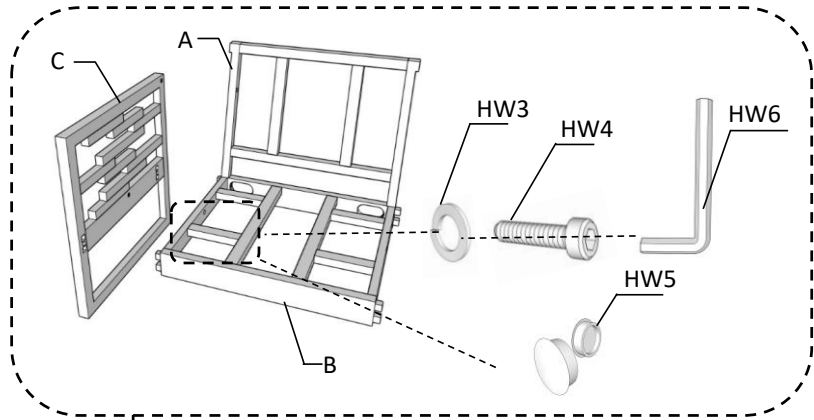
STEP 3 :

Assemble the Legs Frame (C) to the Backrest Frame (A) using Split Lock Washer (HW3) and Allen Bolt (HW4). Fasten it with the Allen Key (HW6), and cover with Hole Cap (HW5); Repeat for opposite leg.



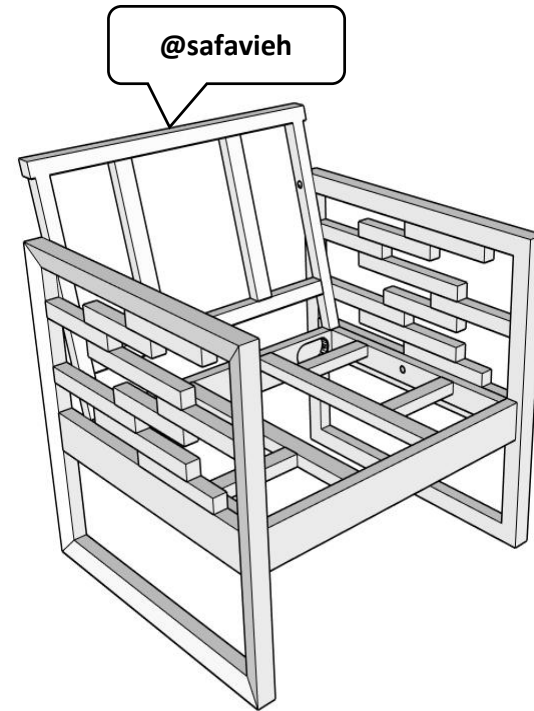
STEP 4 :

Assemble the Legs Frame (C) to the Seat Frame (B) using Allen Long Bolt (HW1), and Curved Iron Plate (HW2). Fasten it with the Allen Key (HW6); Repeat for opposite leg.



STEP 5 :

Assemble the Legs Frame (C) to the Seat Frame (B) using Split Lock Washer (HW3) and Allen Bolt (HW4), fasten it with the Allen Key (HW6), and cover with Hole Cap (HW5); Repeat for opposite leg.



Place the chair in your desired position. We'd love to see it — just tag us (we're @safavieh) and use the hashtag #safavieh on Instagram!