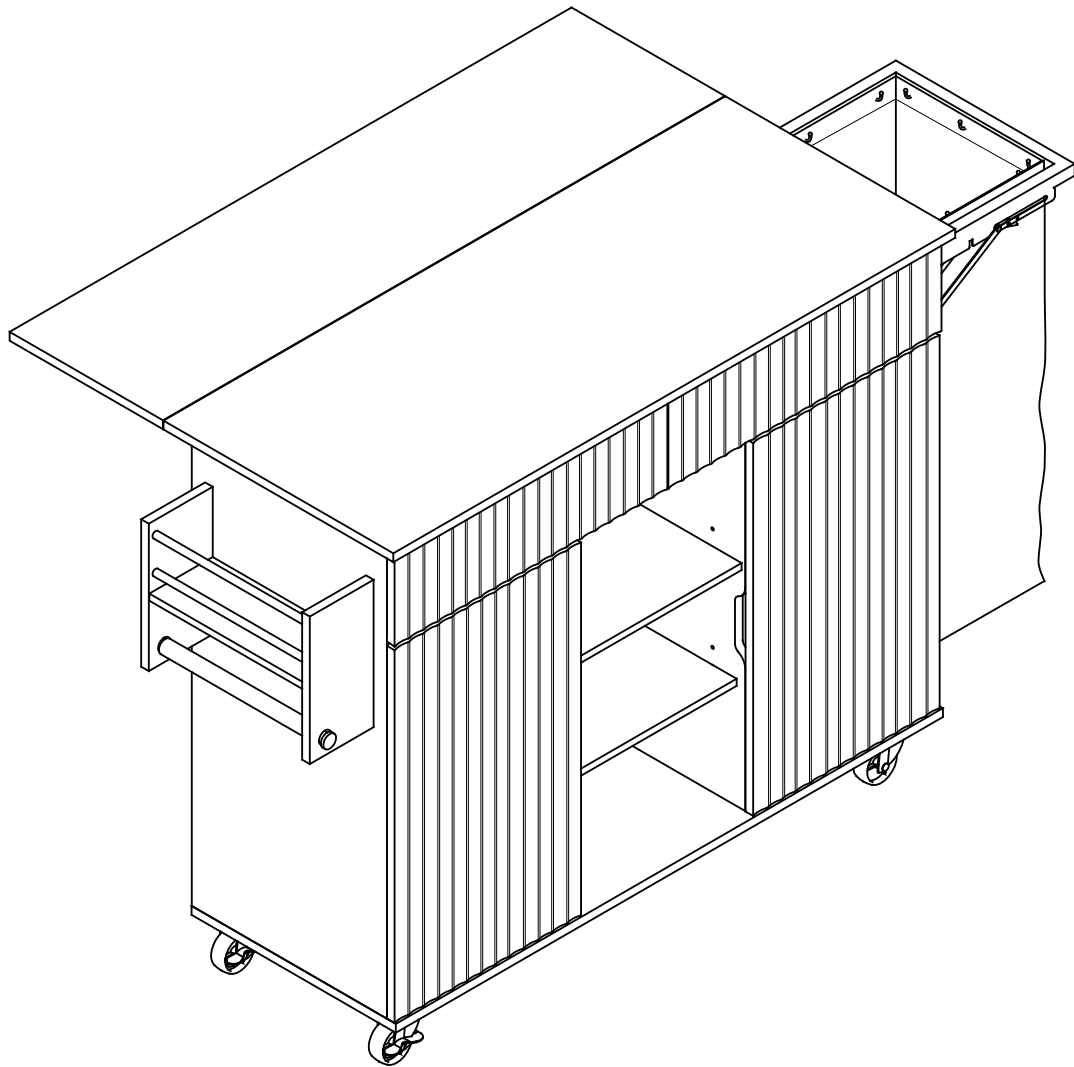
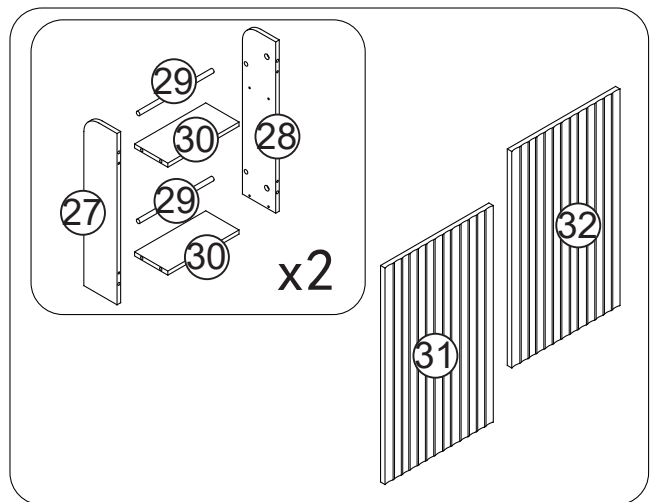
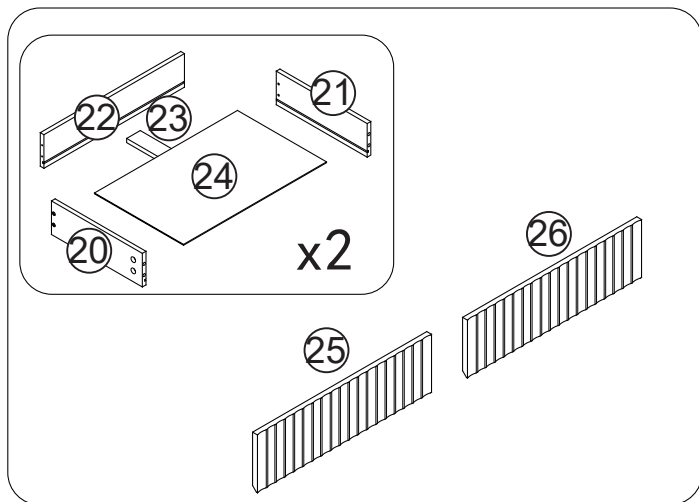
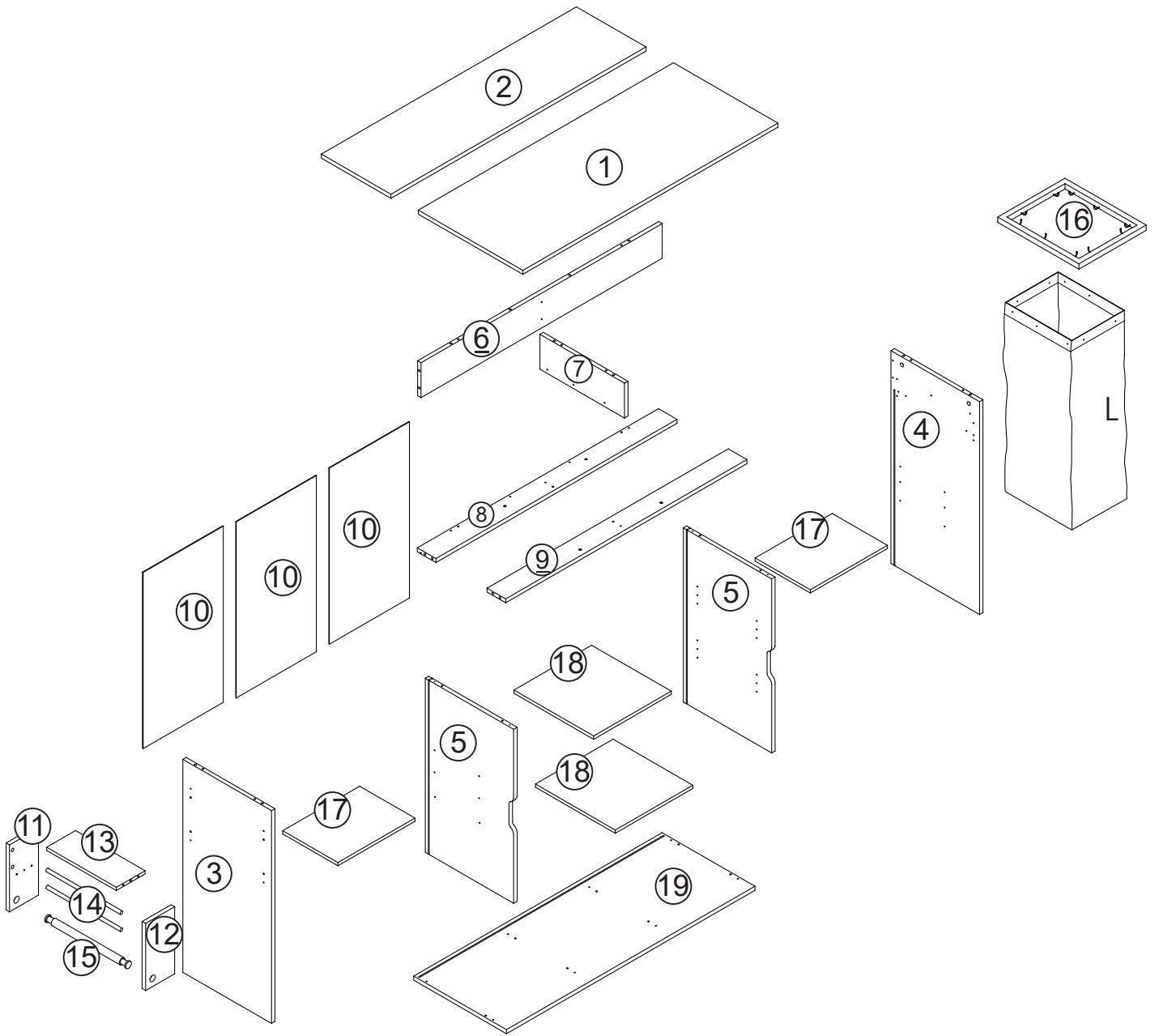
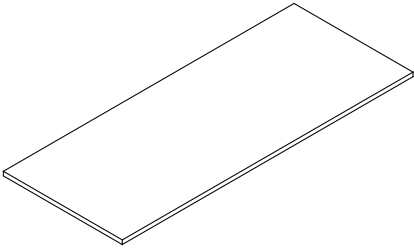


ASSEMBLY INSTRUCTION

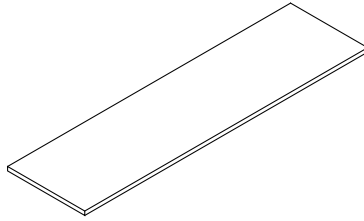




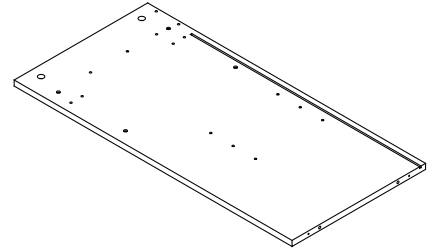
1 x1



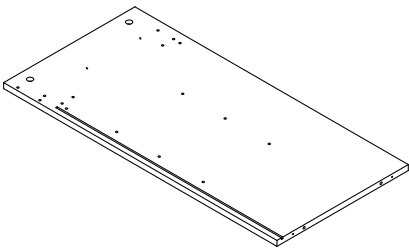
2 x1



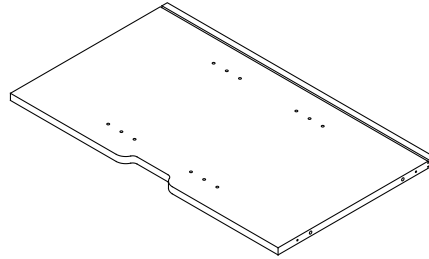
3 x1



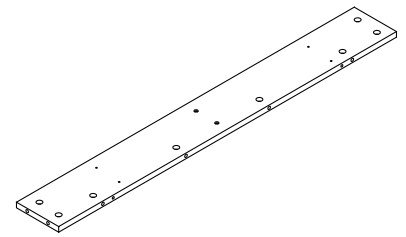
4 x1



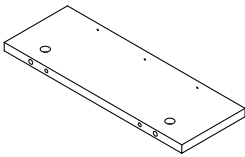
5 x2



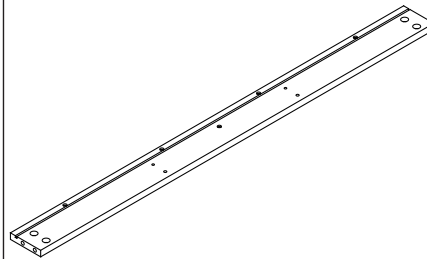
6 x1



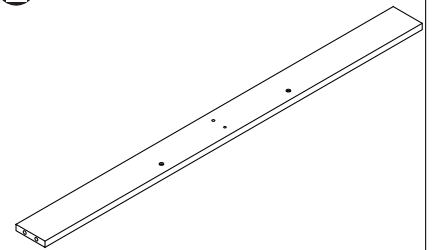
7 x1



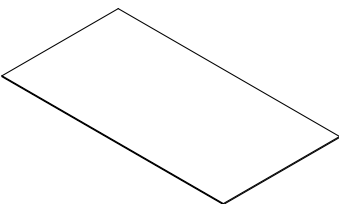
8 x1



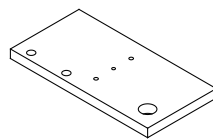
9 x1



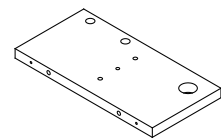
10 x3



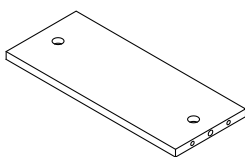
11 x1



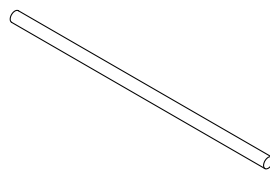
12 x1



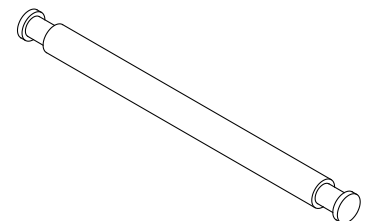
13 x1



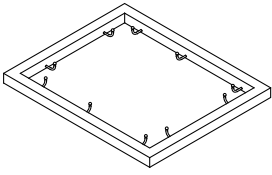
14 x2



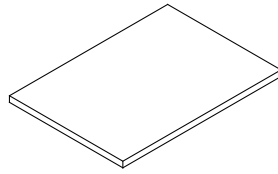
15 x1



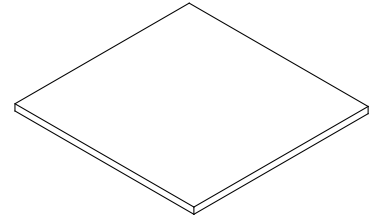
16 x1



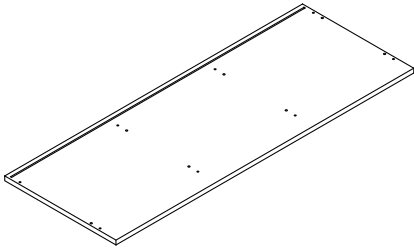
17 x2



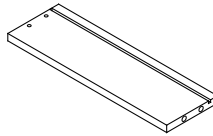
18 x2



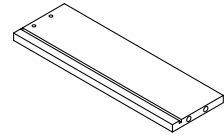
19 x1



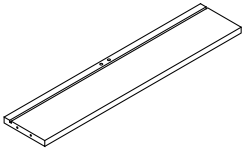
20 x2



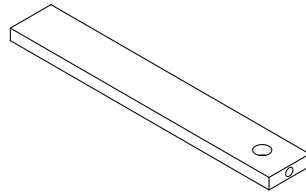
21 x2



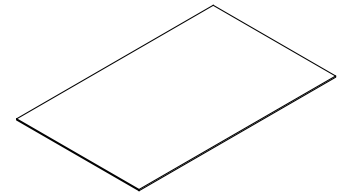
22 x2



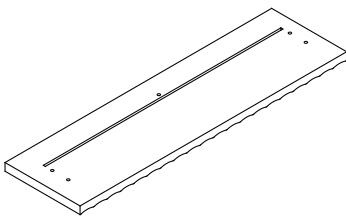
23 x2



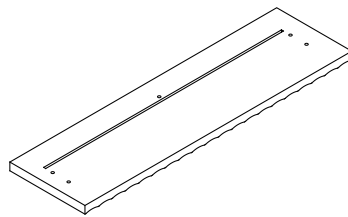
24 x2



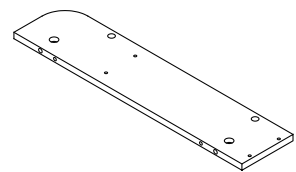
25 x1



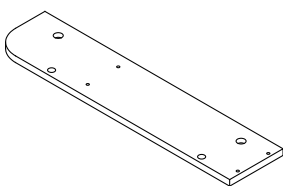
26 x1



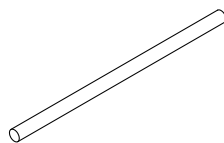
27 x2



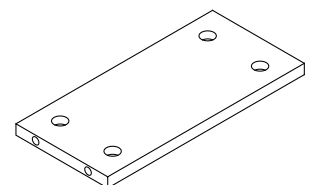
28 x2



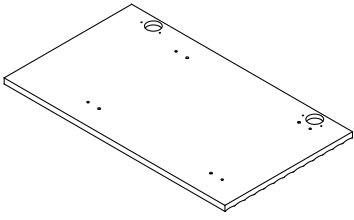
29 x4



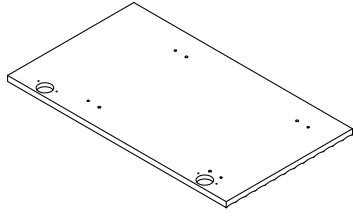
30 x4



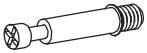



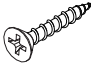

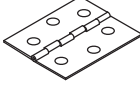
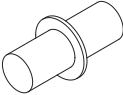


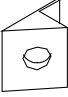




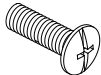
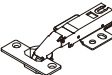


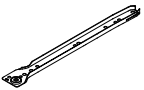
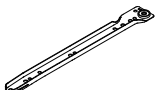
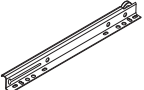
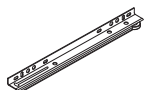
31 x1



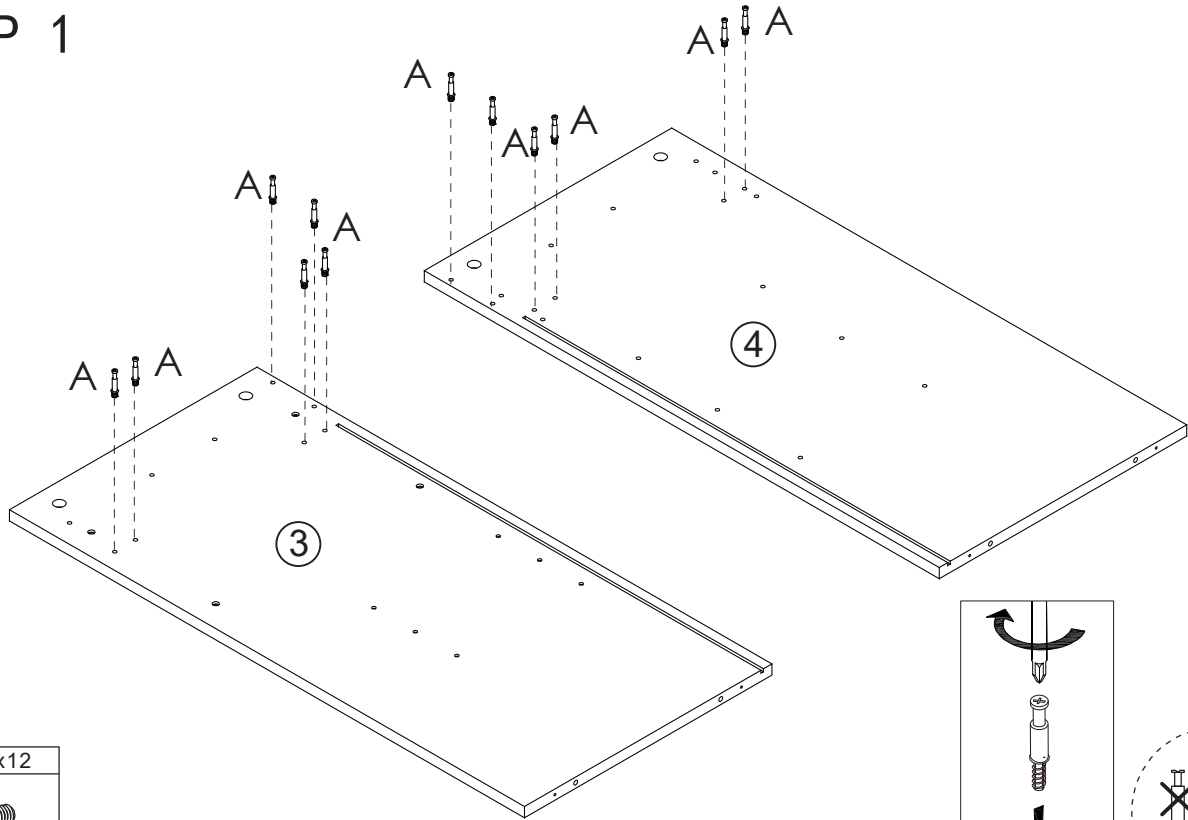
32 x1

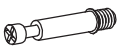


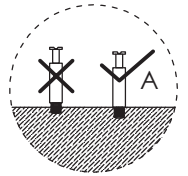
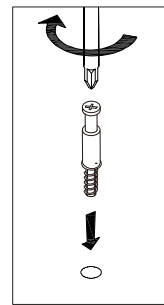
HARDWARE LIST

A	x58	B	x58	C	x40	D	x36	E	x42	
										
Φ6x35mm		Φ15x10mm		Φ6x30mm		Φ4x40mm		Φ3x12mm		
F	x20	G	x3	H	x16	I	x3	J	x2	
										
Φ5x14mm		50x38mm		Φ5x15mm		Φ88x66mm		Φ88x66mm		
K	x18			L	x1	M	x4	N	x8	
		+								
		Φ3x16mm					Φ253x122mm		Φ10x3mm	
O	x6	P	x8	Q	x4	R	x24	S	x8	
										
Φ4x10mm		Φ6x16mm		Φ62x108mm		Φ3.5x14mm		Φ20mm		
CL	x2	CR	x2	DL	x2	DR	x2			
										
L 300mm		L 300mm		L 300mm		L 300mm				

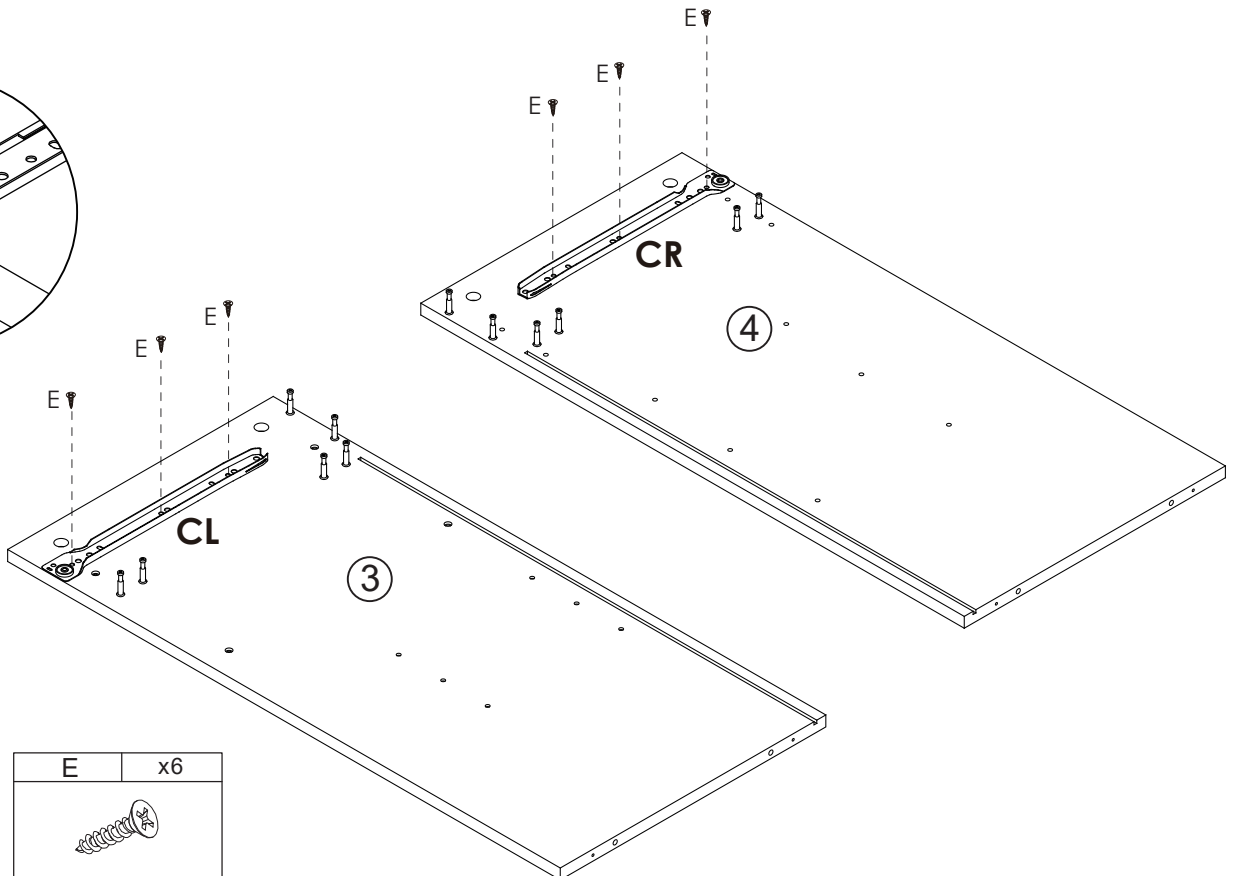
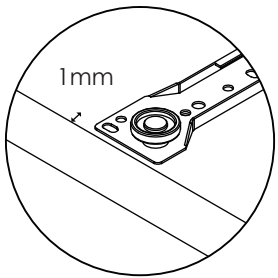
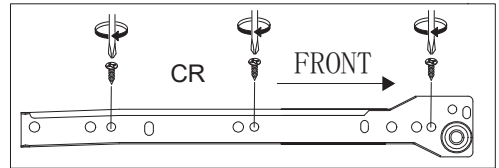
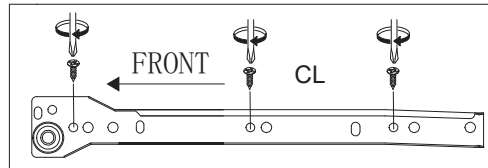
STEP 1

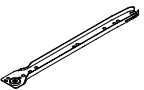


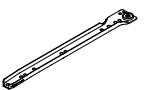
A	x12
	
Φ6x35mm	




STEP 2

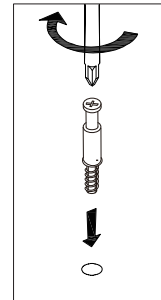
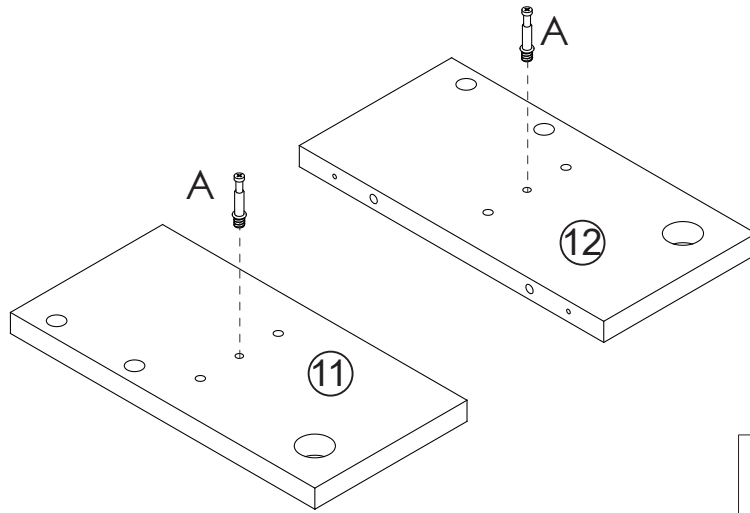


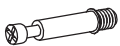
CL	x1
	
L 300mm	

CR	x1
	
L 300mm	

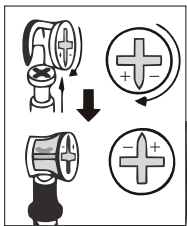
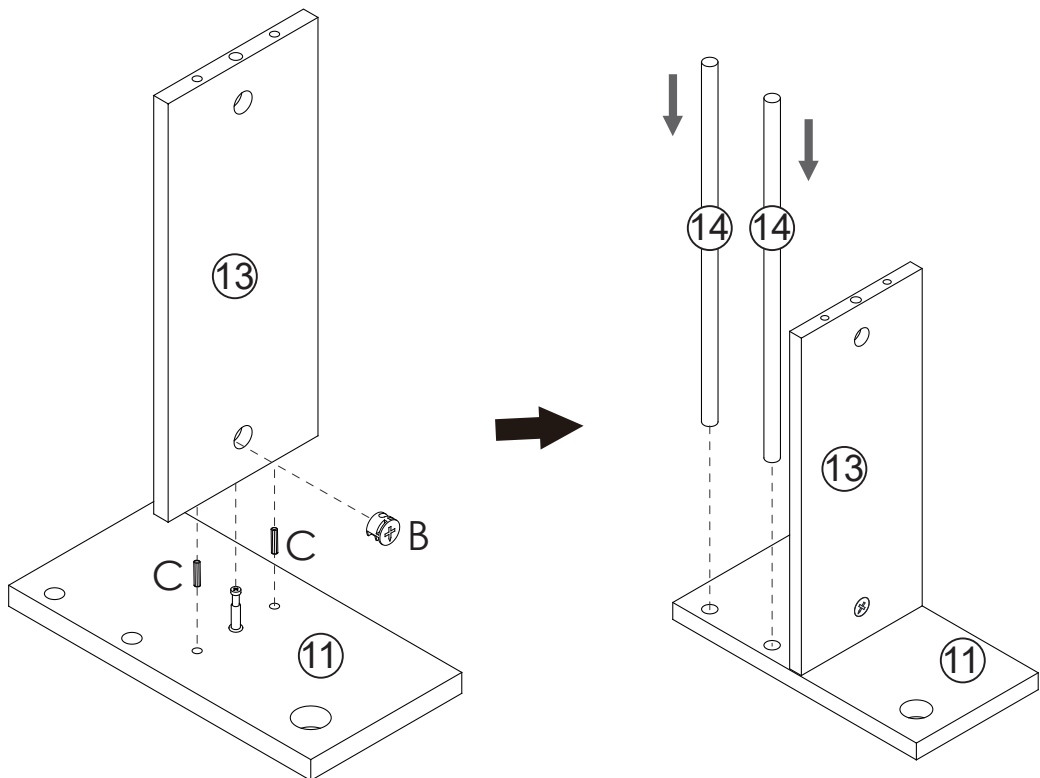
E	x6
	
Φ3x12mm	


STEP 3




A	x2
	
Φ6x35mm	

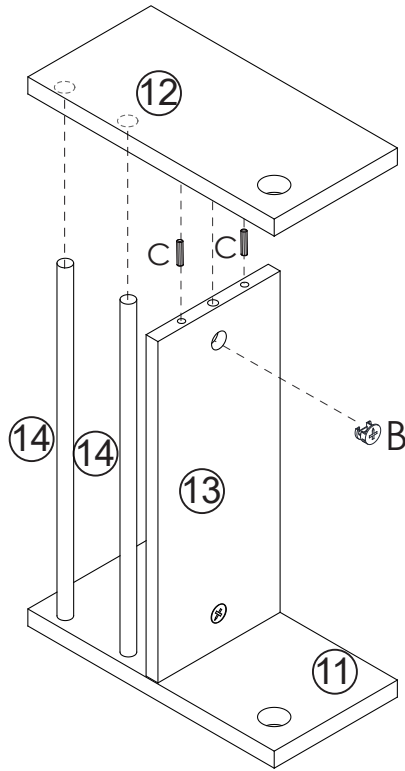
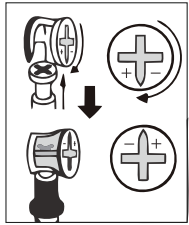
STEP 4





C	x2
	
Φ6x30mm	

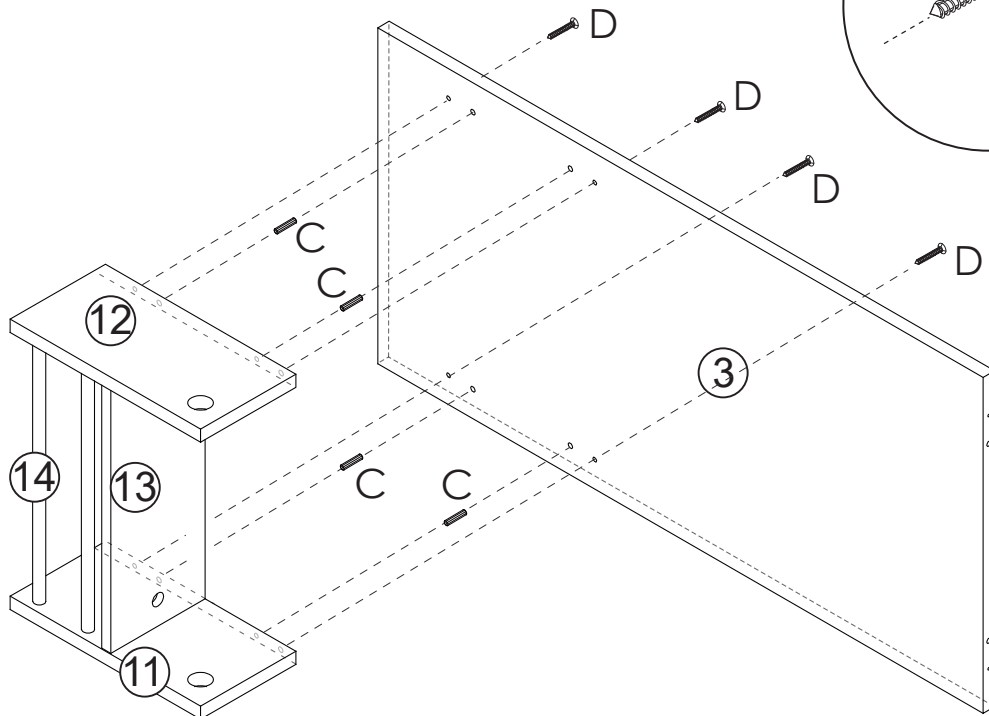
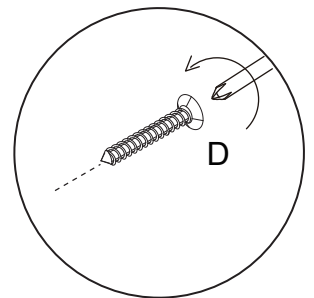
B	x1
	
Φ15x10mm	



STEP 5



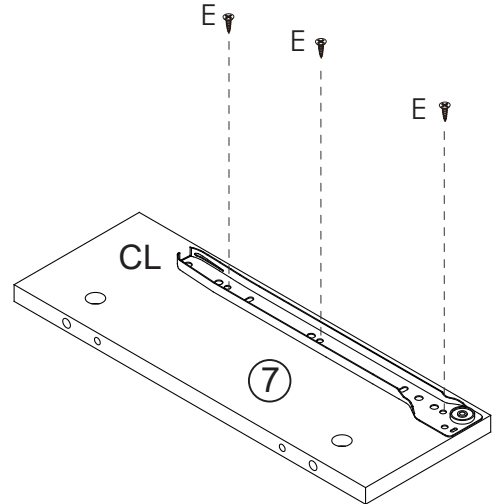
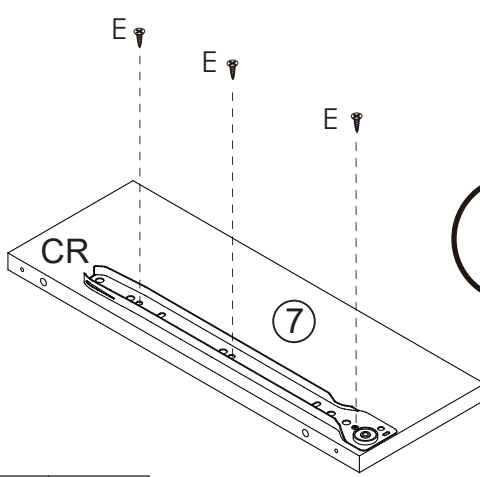
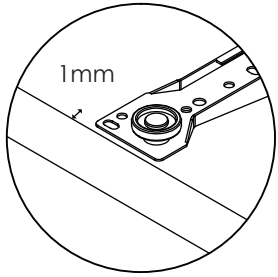
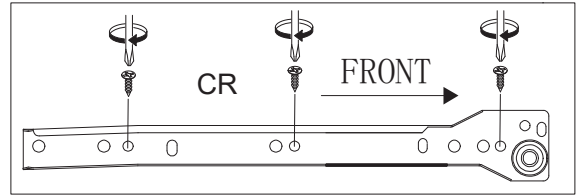
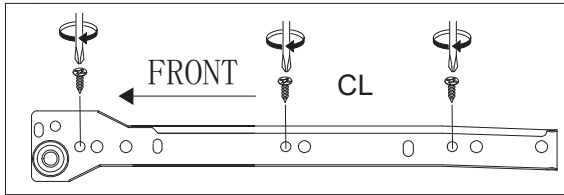
C	x2
	
Φ6x30mm	
B	x1
	
Φ15x10mm	

STEP 6



C	x4
	
Φ6x30mm	
D	x4
	
Φ4x40mm	

STEP 7

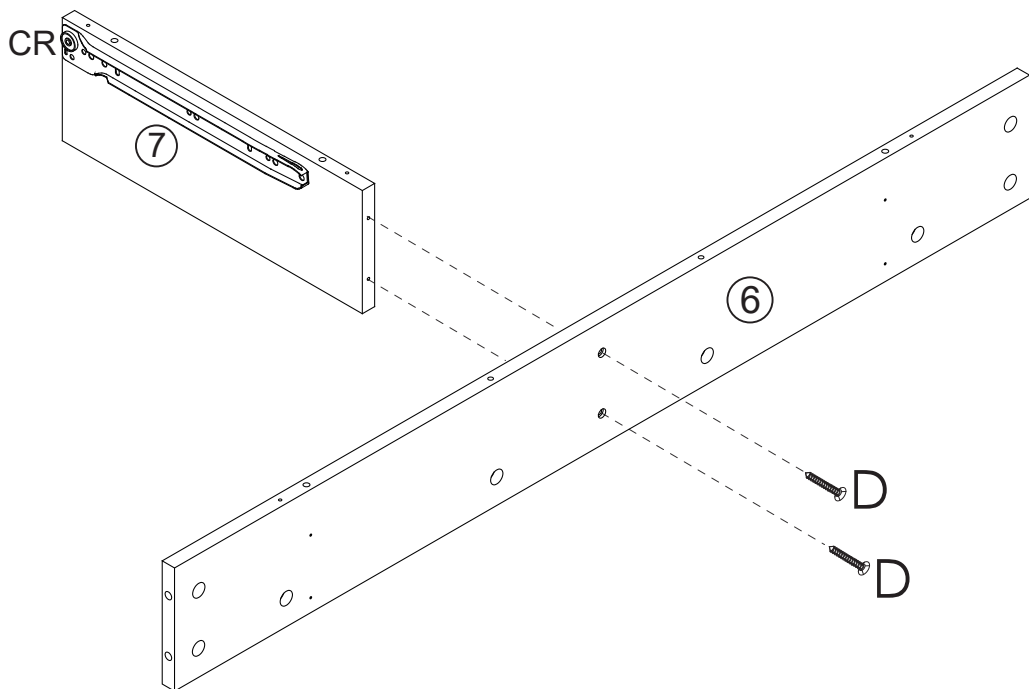


CL	x1
L 300mm	

CR	x1
L 300mm	

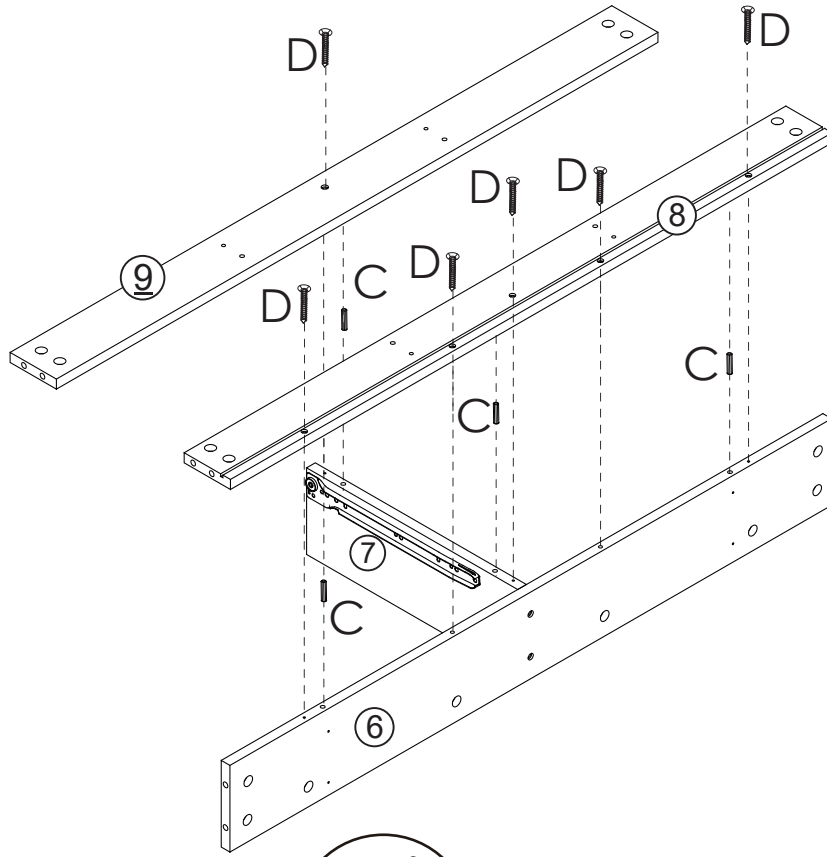
E	x6
Φ3x12mm	



STEP 8

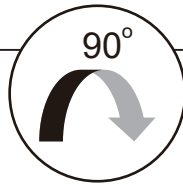


D	x2
Φ4x40mm	

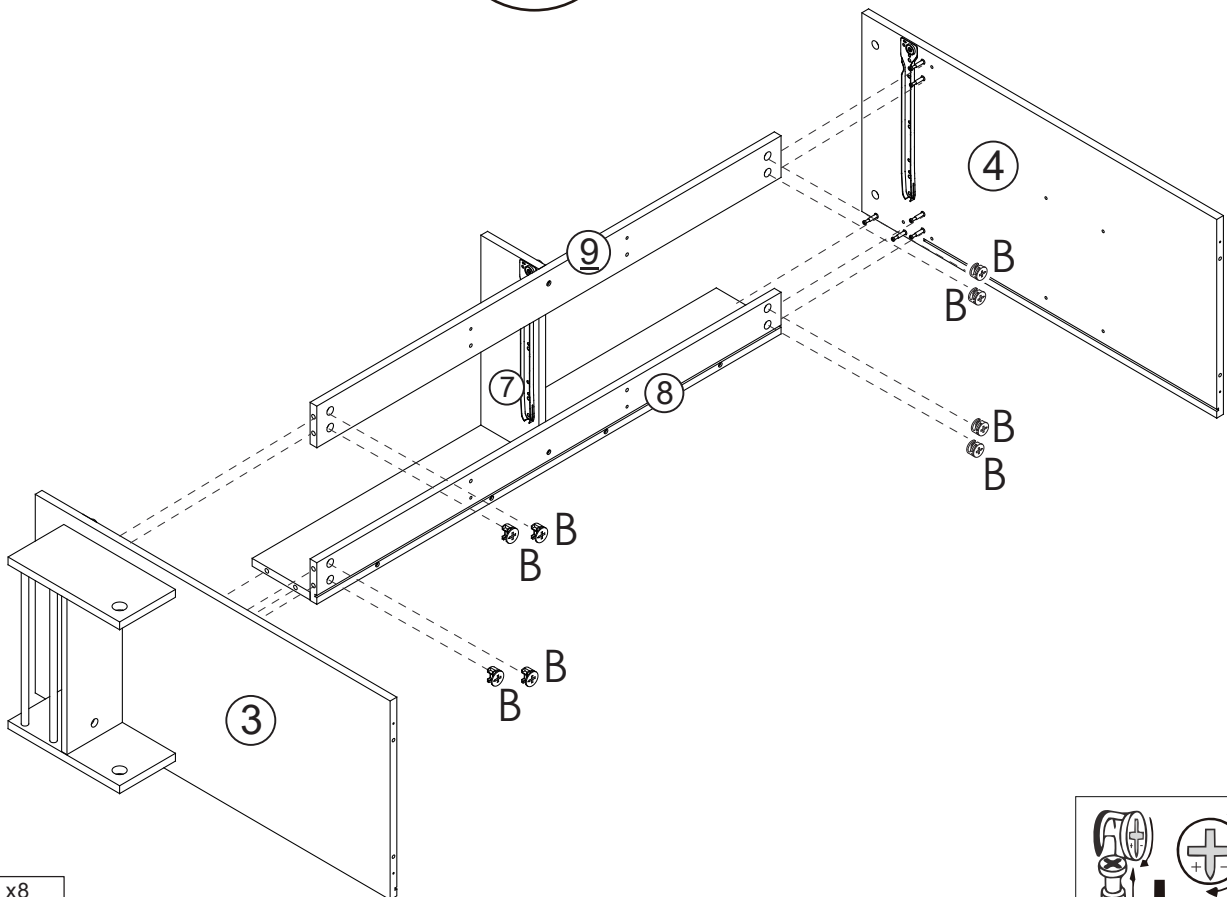
STEP 9




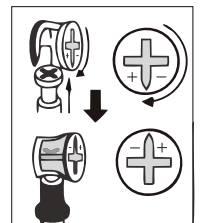
C	x4
	
Φ6x30mm	
D	x6
	
Φ4x40mm	



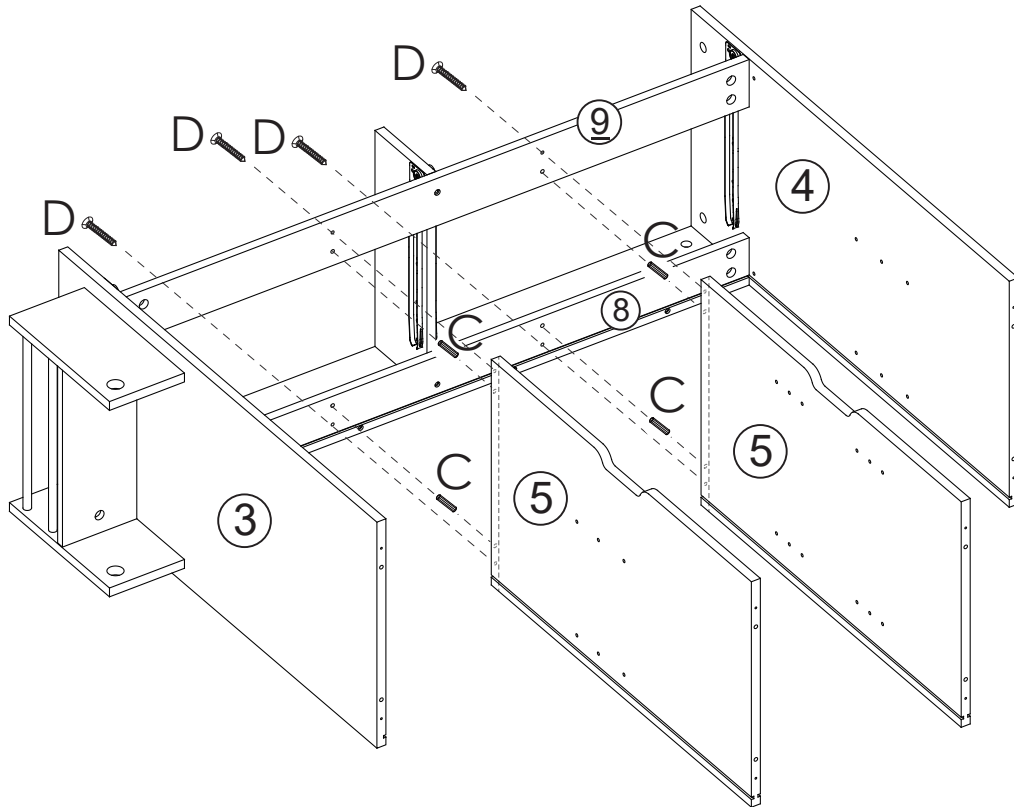
STEP 10





B	x8
	
Φ15x10mm	

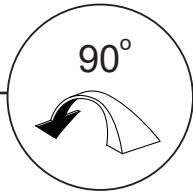


STEP 11

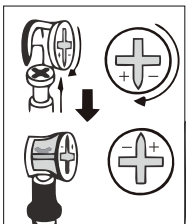
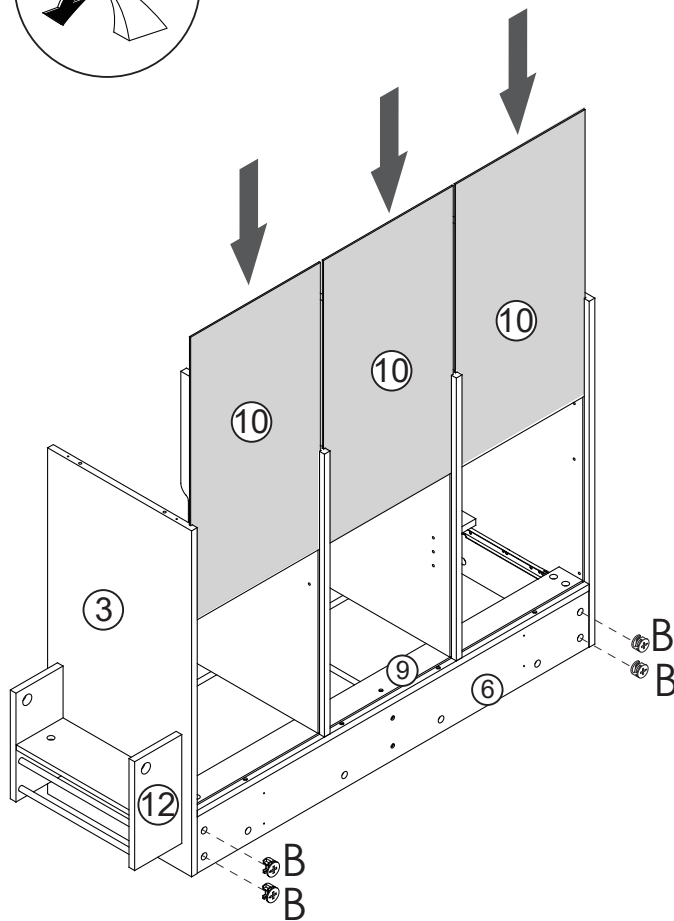



C	x4
	
Φ6x30mm	

D	x4
	
Φ4x40mm	



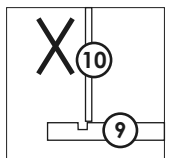
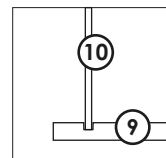
STEP 12



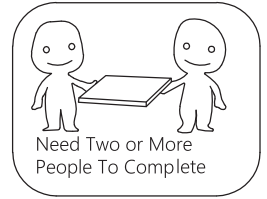
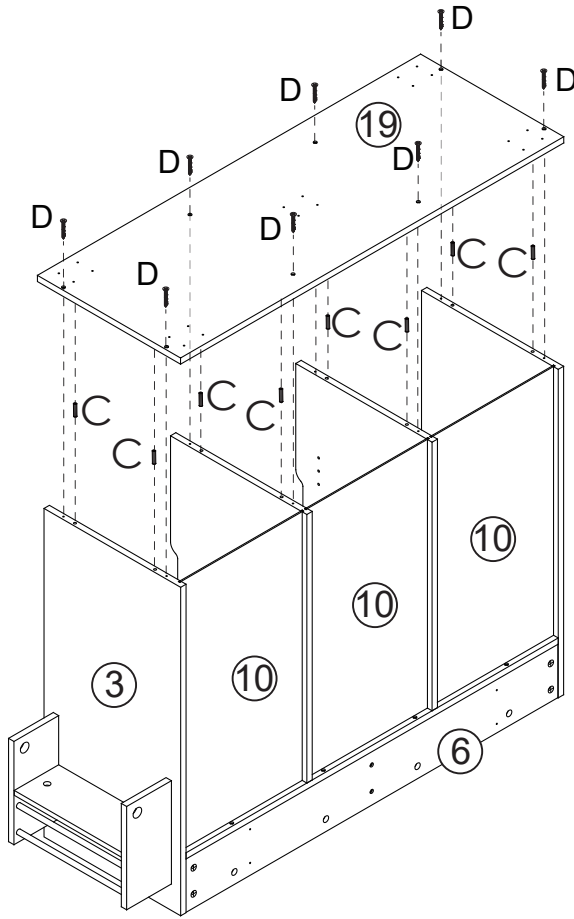
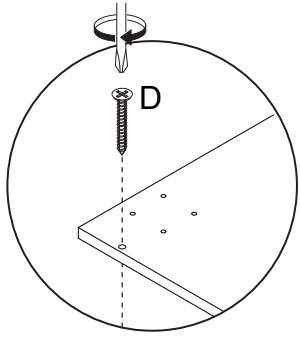
B	x4
	
Φ15x10mm	



The 10th board needs to be fully inserted into the 5th board

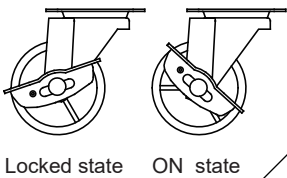


STEP 13

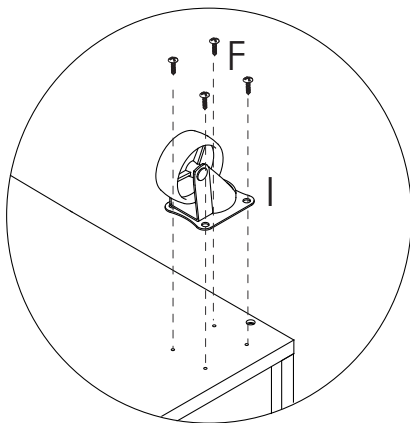
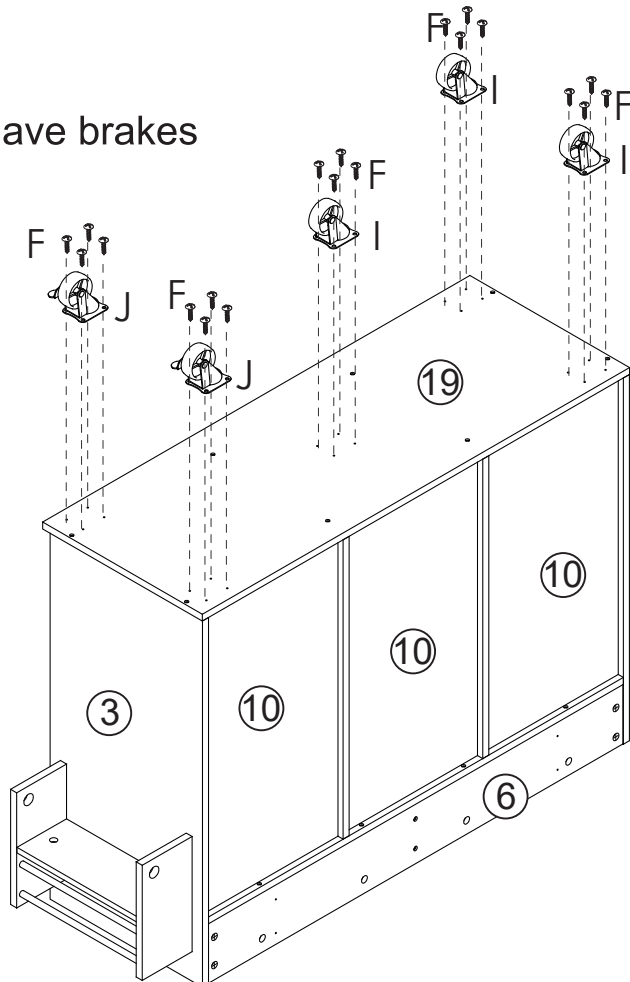


C	x8
Φ6x30mm	
D	x8
Φ4x40mm	

STEP 14

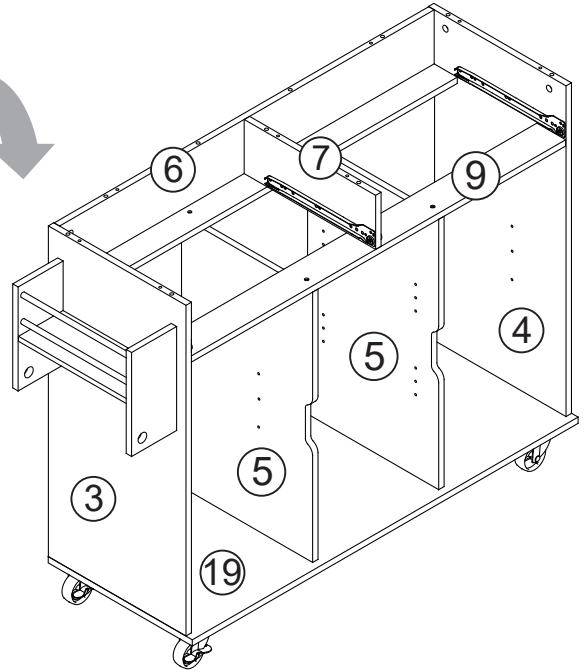
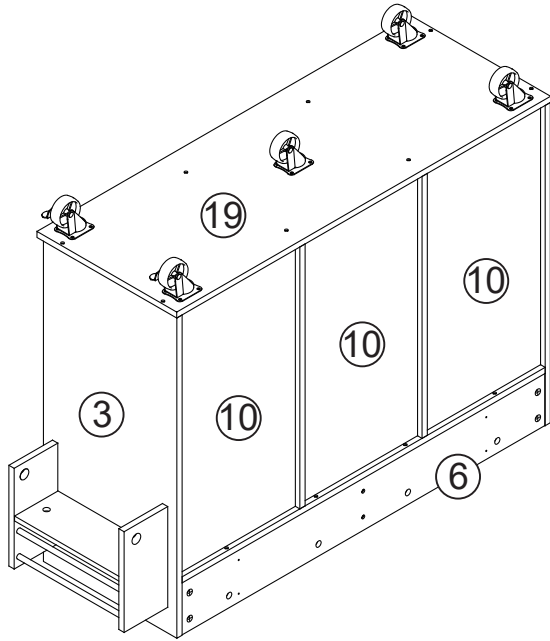
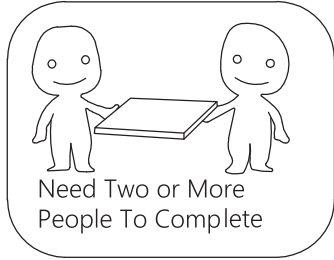


J wheels have brakes

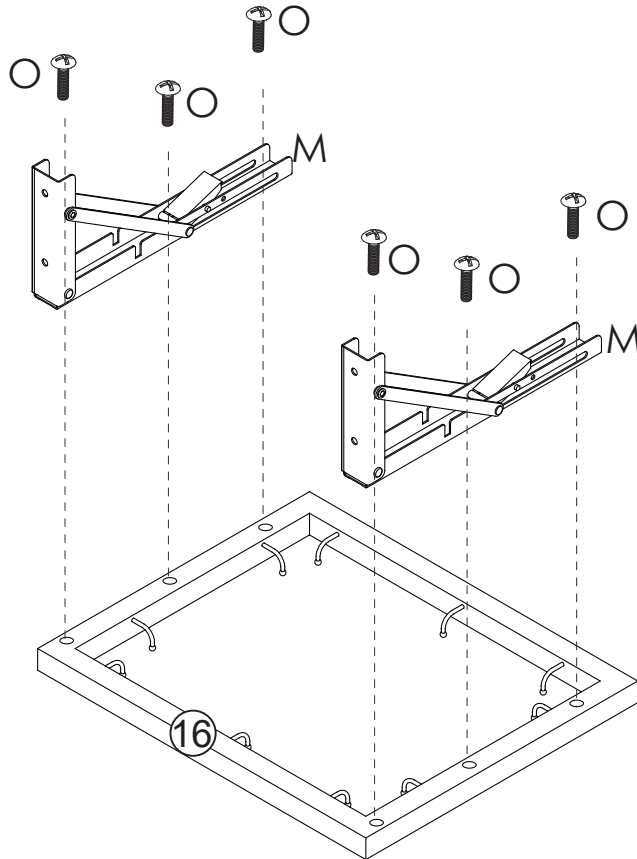
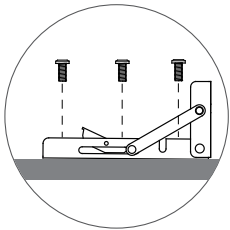
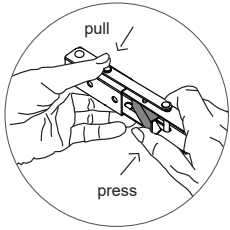


J	x2
Φ88x66mm	
I	x3
Φ88x66mm	
F	x20
Φ5x14mm	

STEP 15

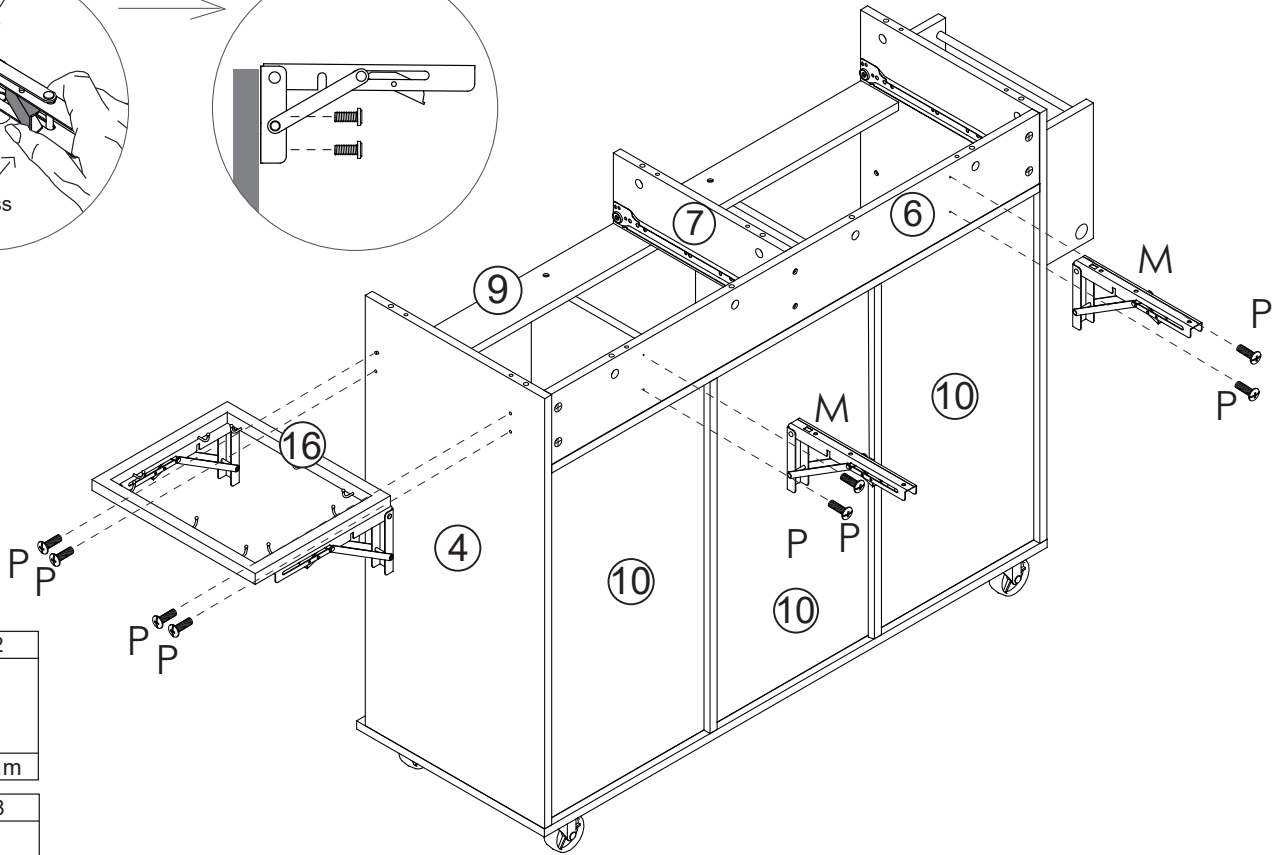
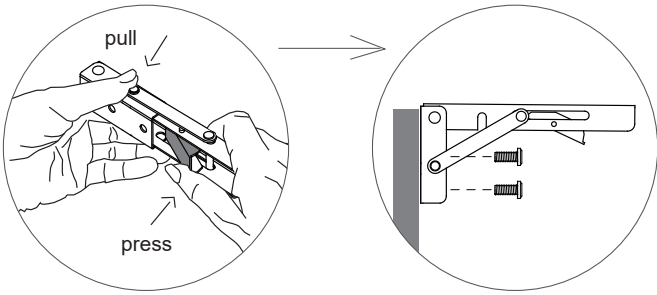



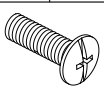
STEP 16



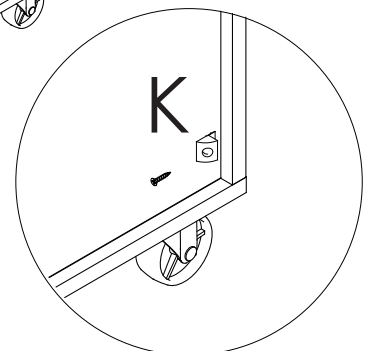
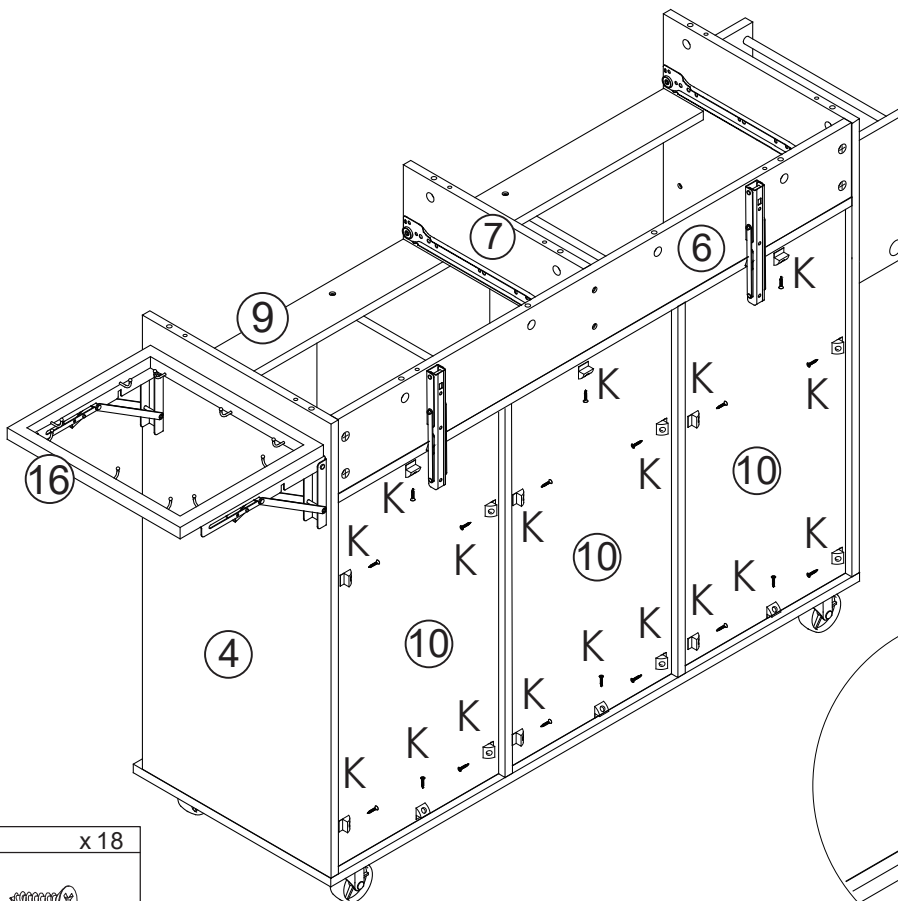
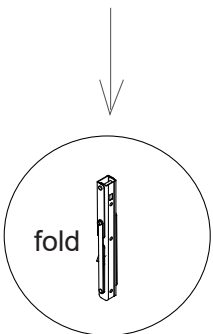
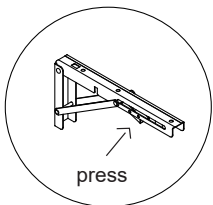
M	x2
Φ253x122mm	
O	x6
Φ4x10mm	



STEP 17



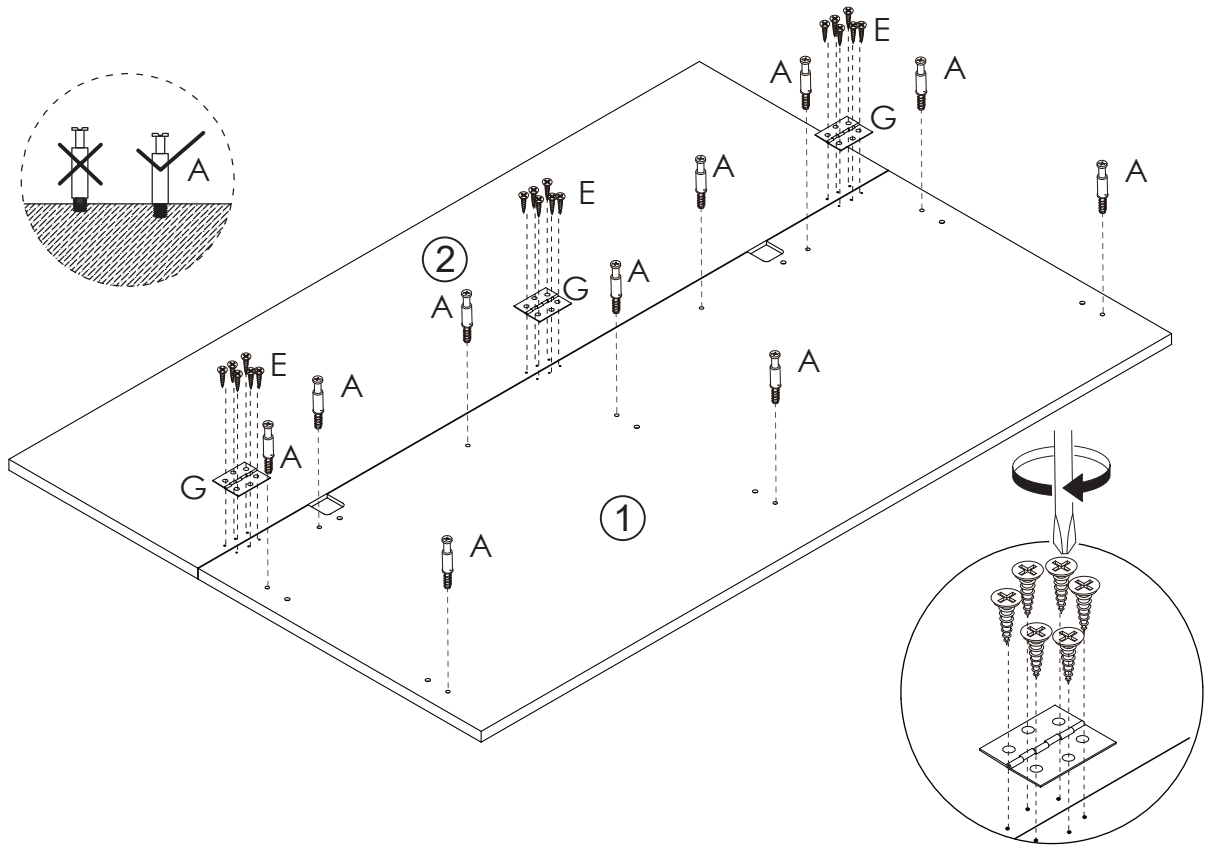
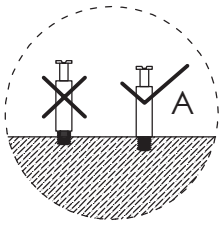
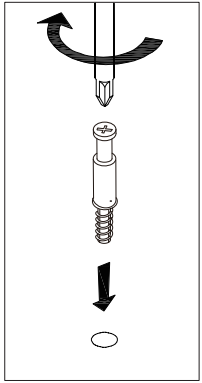
M	x2
	
Φ253x122mm	
P	x8
	
Φ6x16mm	




STEP 18



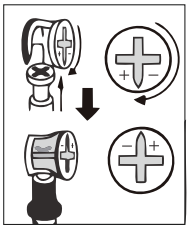
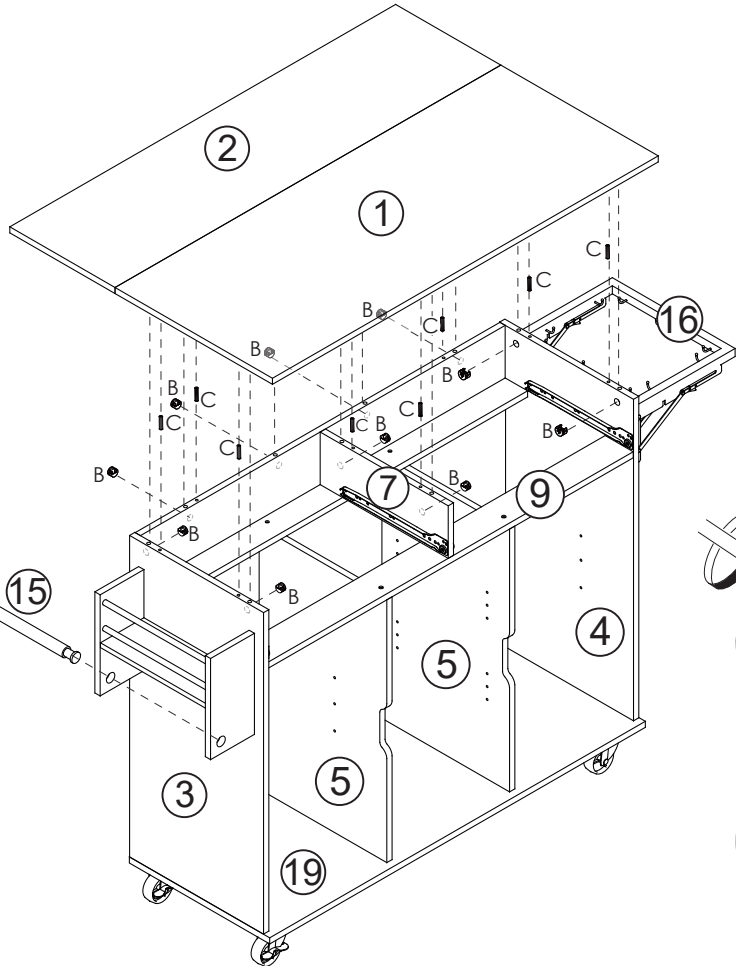
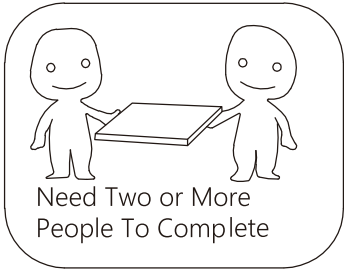
K	x18
	+ 
Φ3x16mm	



STEP 19

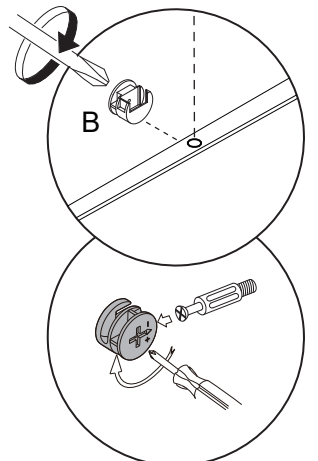


G	x3
	
Φ50x38mm	
A	x10
	
Φ6x35mm	
E	x18
	
Φ3x12mm	

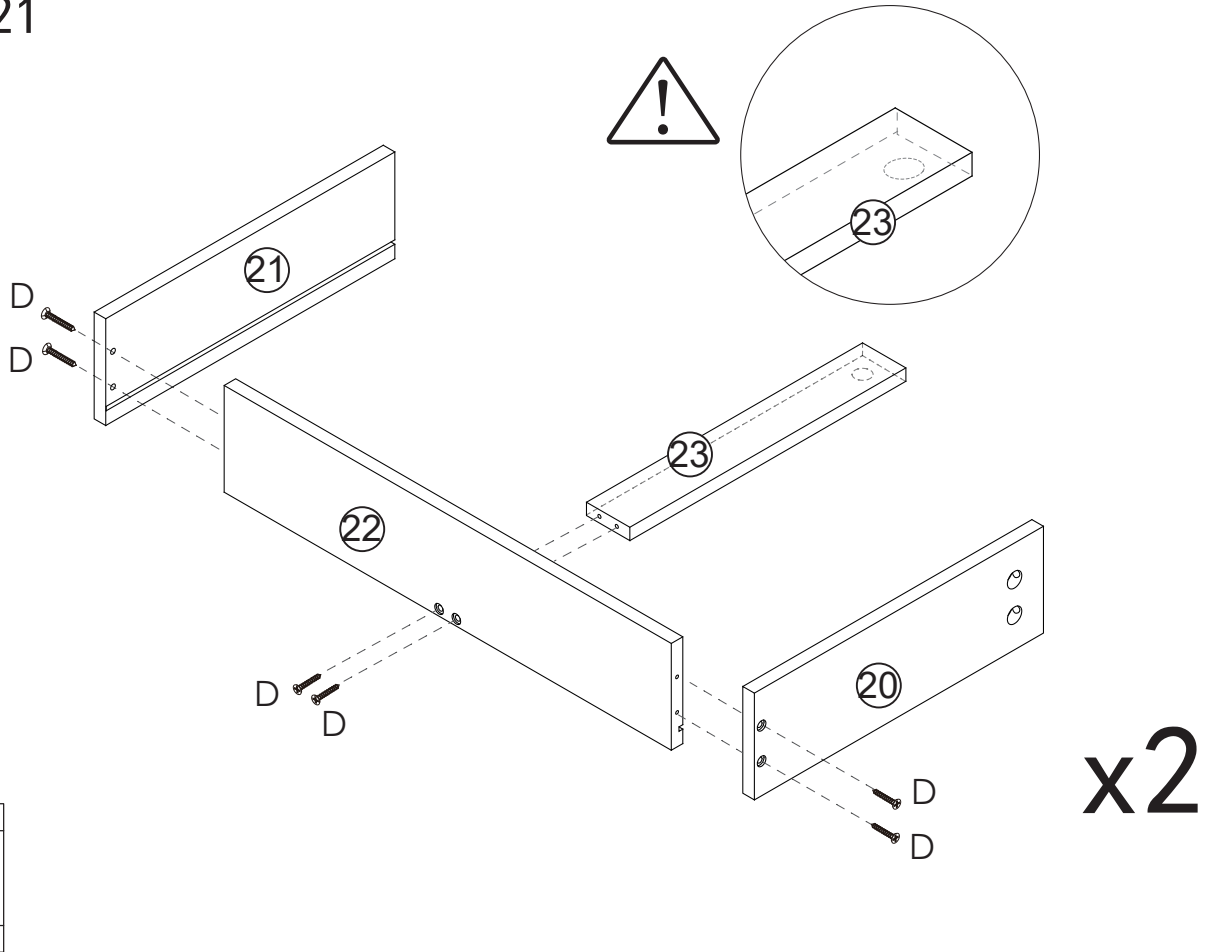
STEP 20



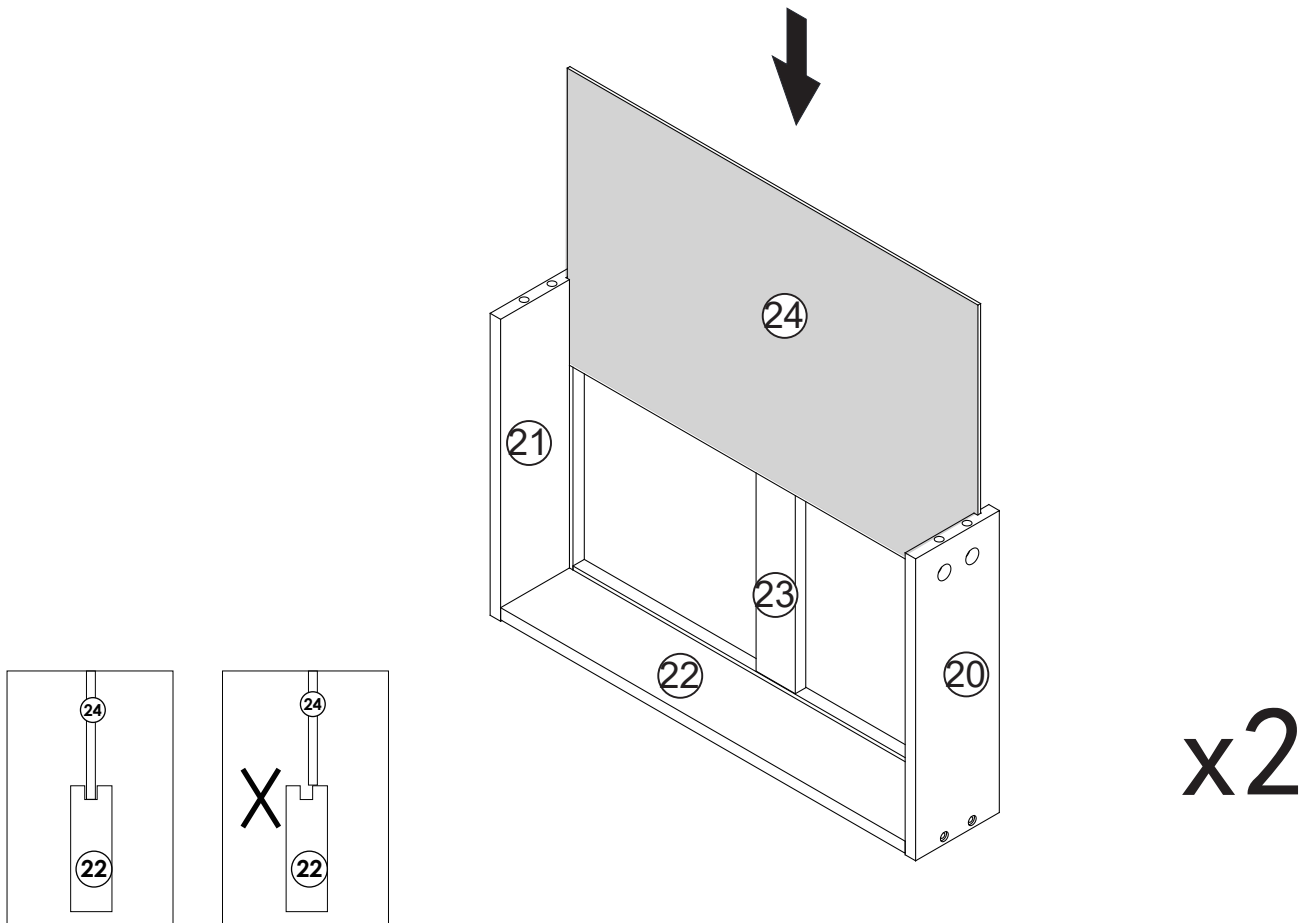
C	x8
	
Φ6x30mm	
B	x10
	
Φ15x10mm	



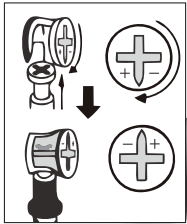
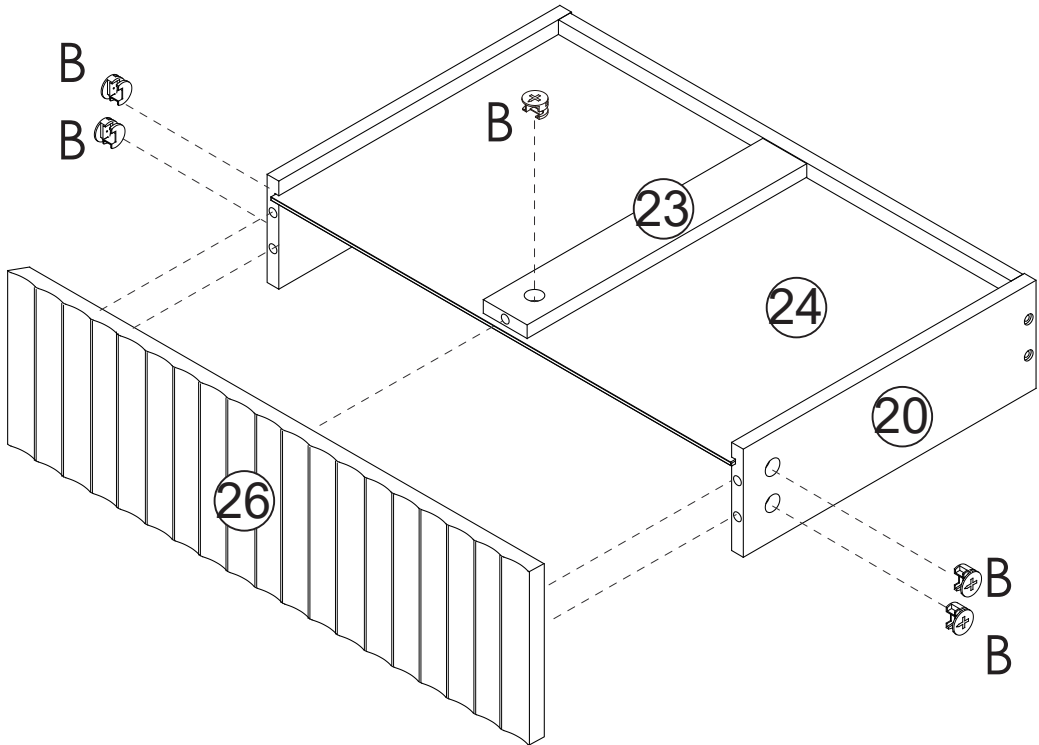
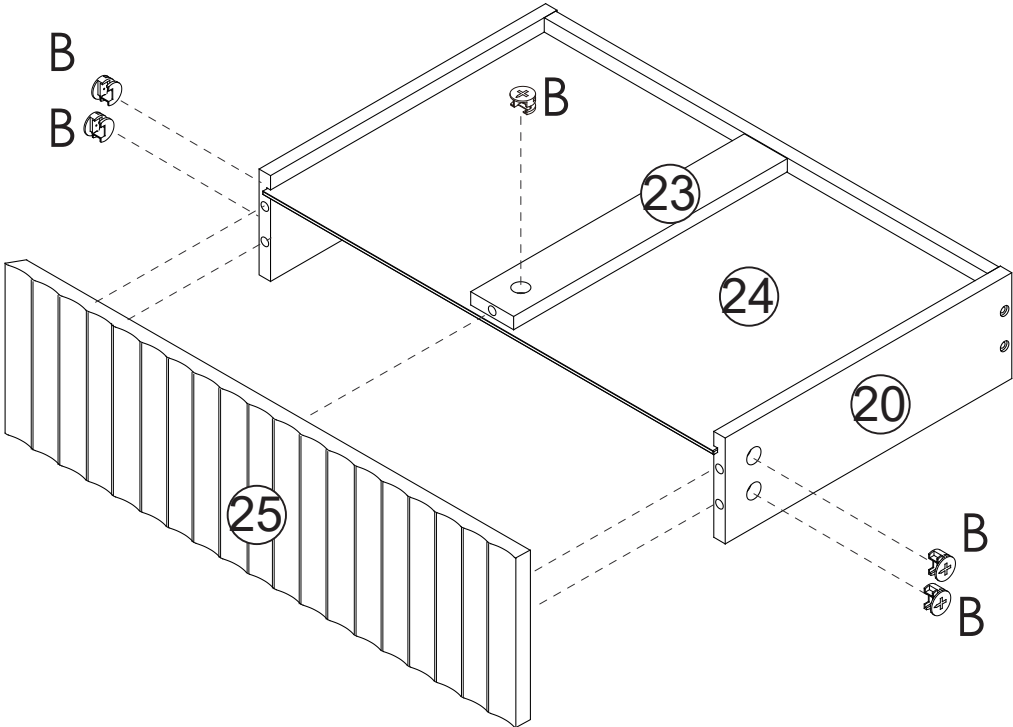
STEP 21



STEP 22

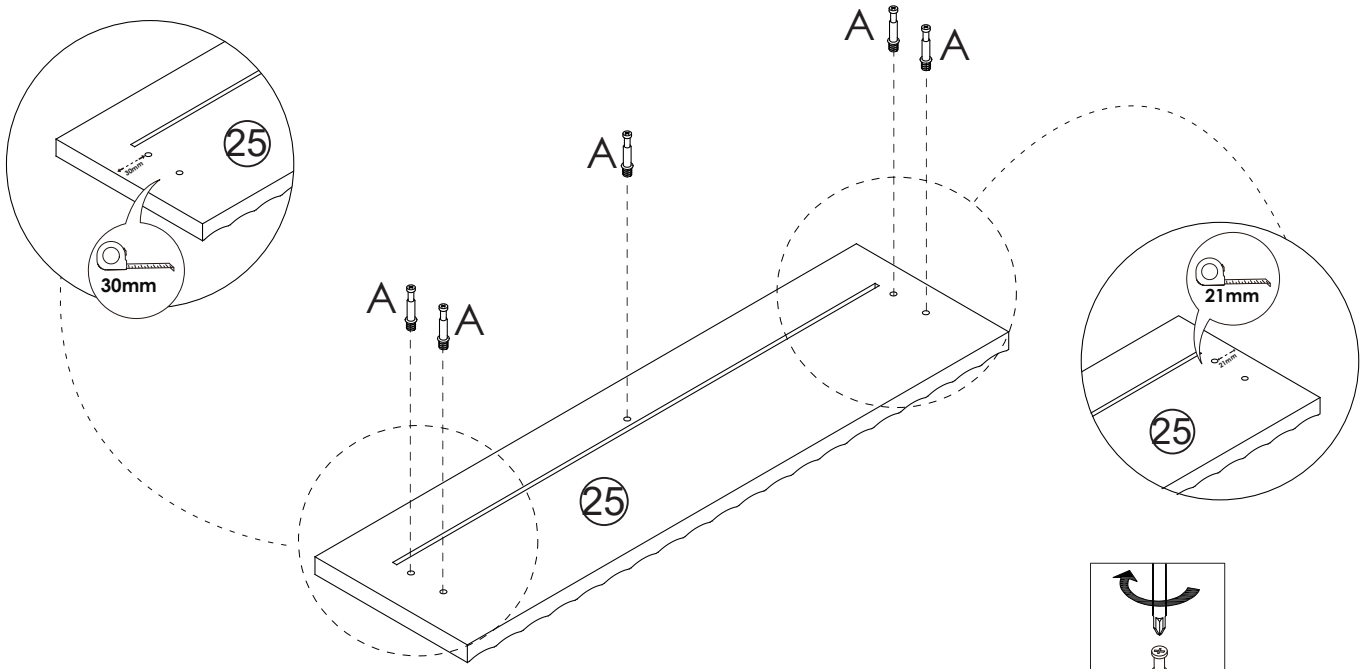


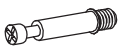
STEP 23

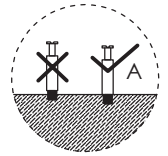
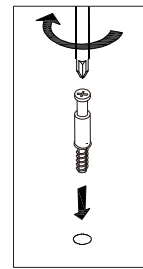


B	x10
$\Phi 15 \times 10 \text{mm}$	

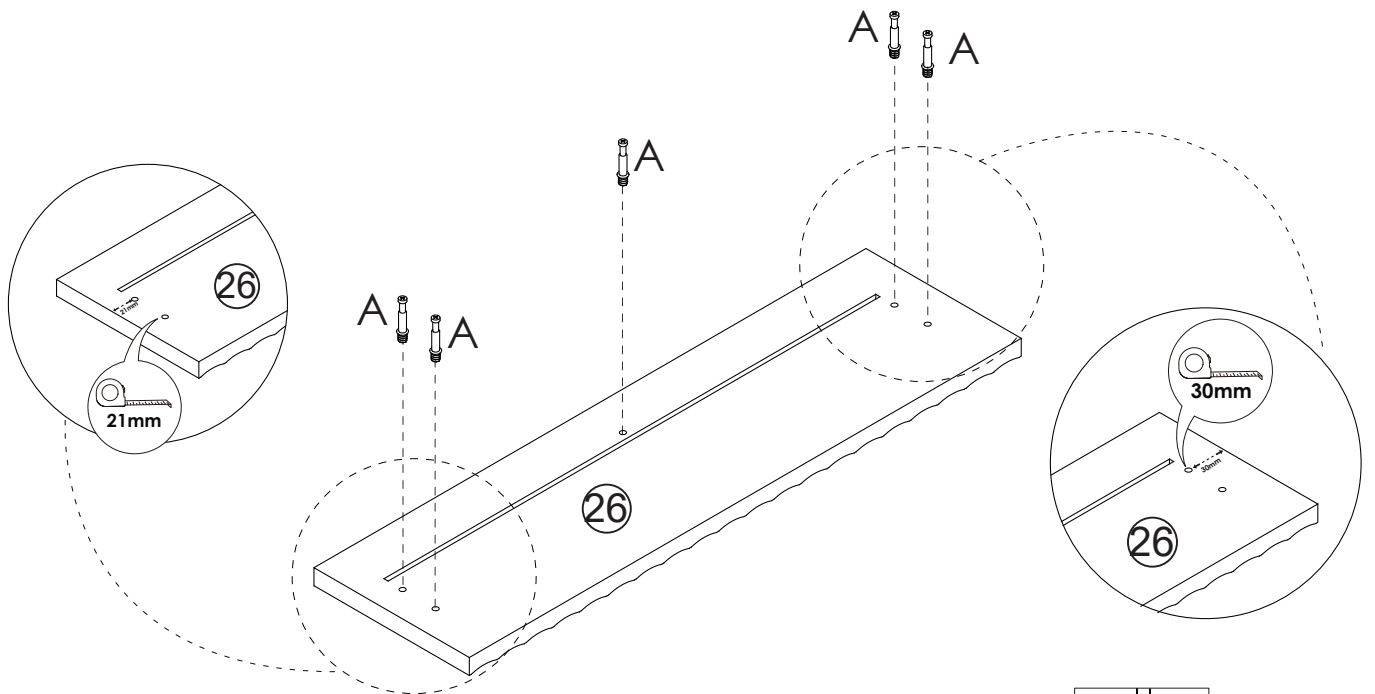
STEP 24

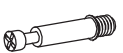


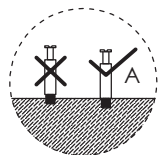
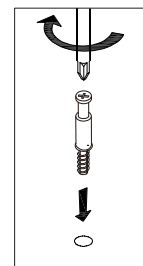
A	x5
	
Φ6x35mm	



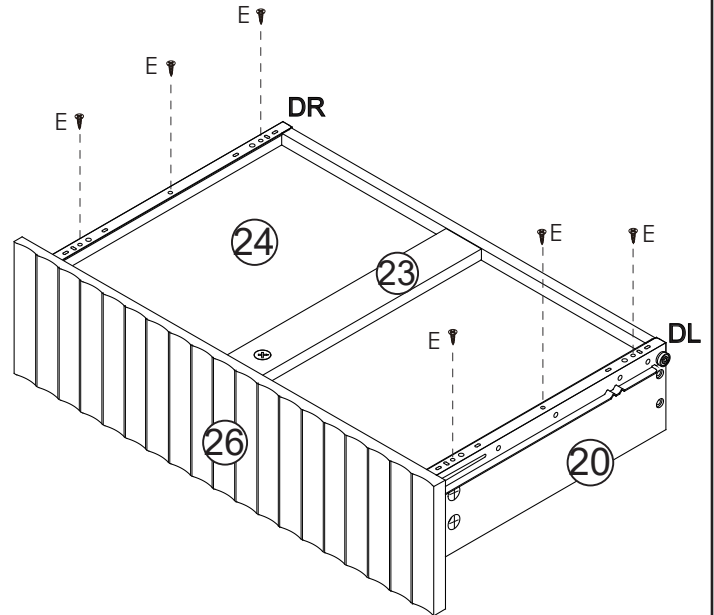
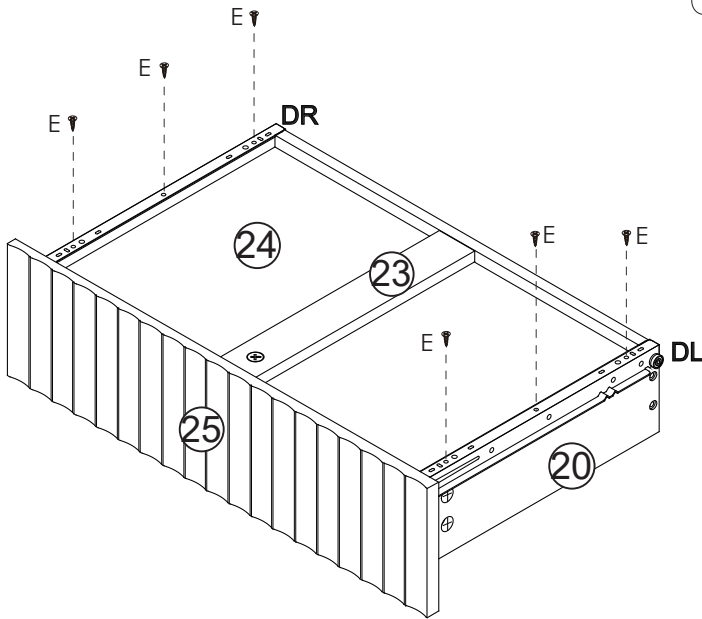
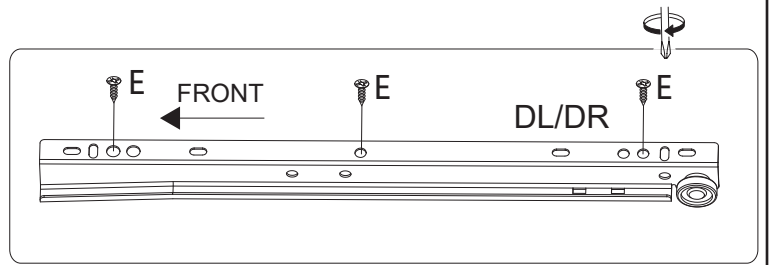
STEP 25

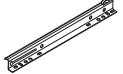




A	x5
	
Φ6x35mm	

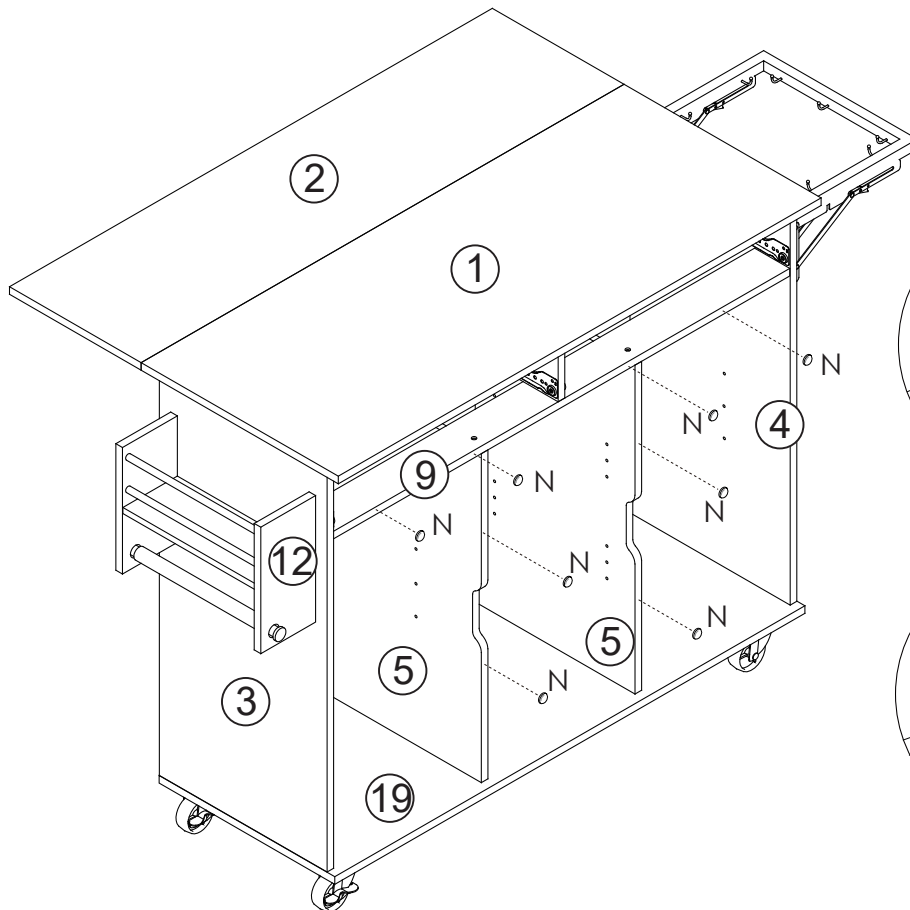



STEP 26



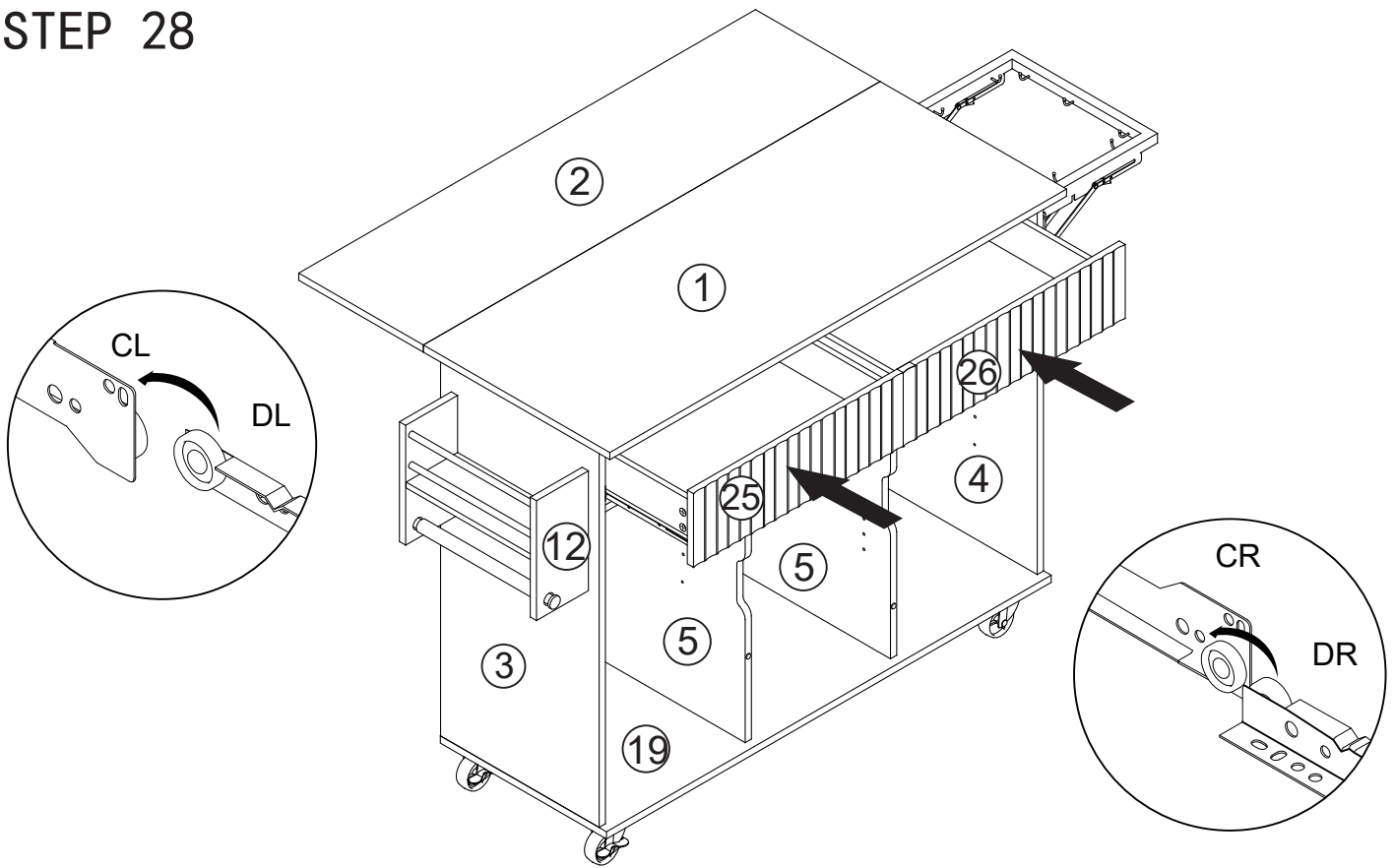
DL	x2	DR	x2	E	x12
					
L 300mm		L 300mm		Φ3x12mm	

STEP 27

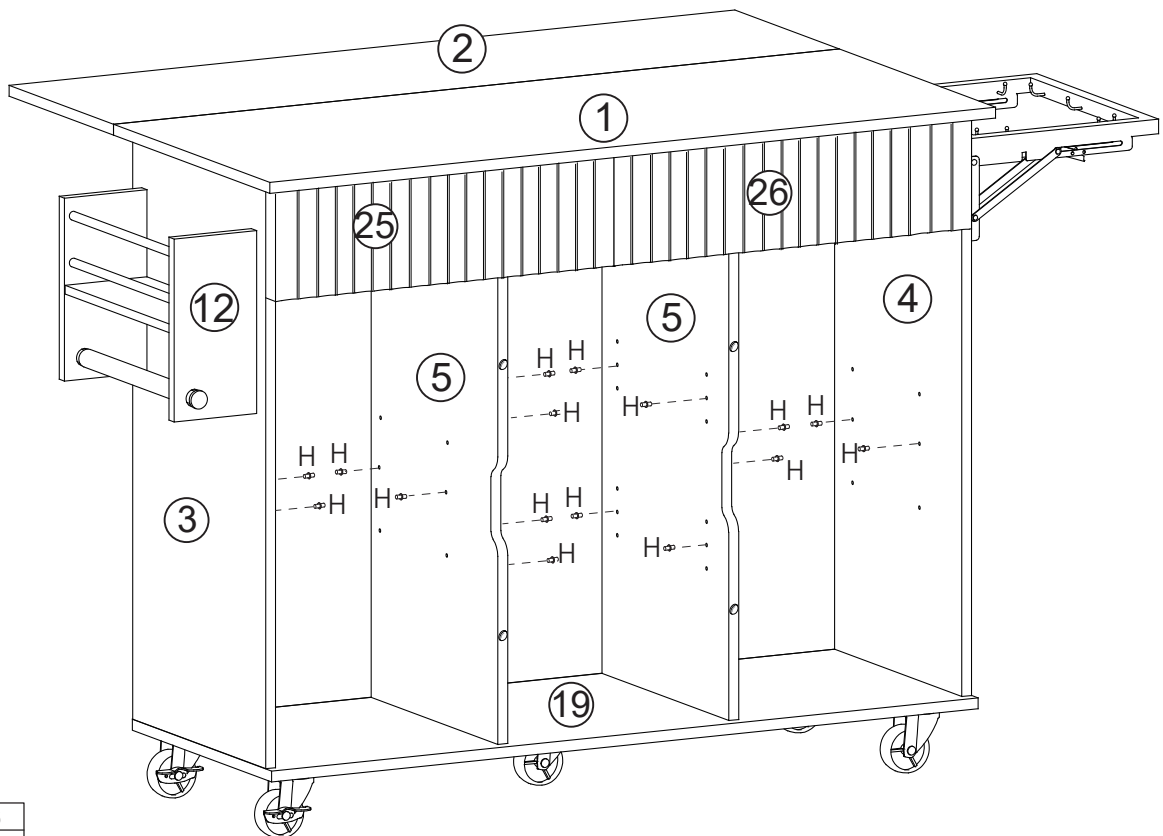


N	x8
	
Φ10x3mm	

STEP 28

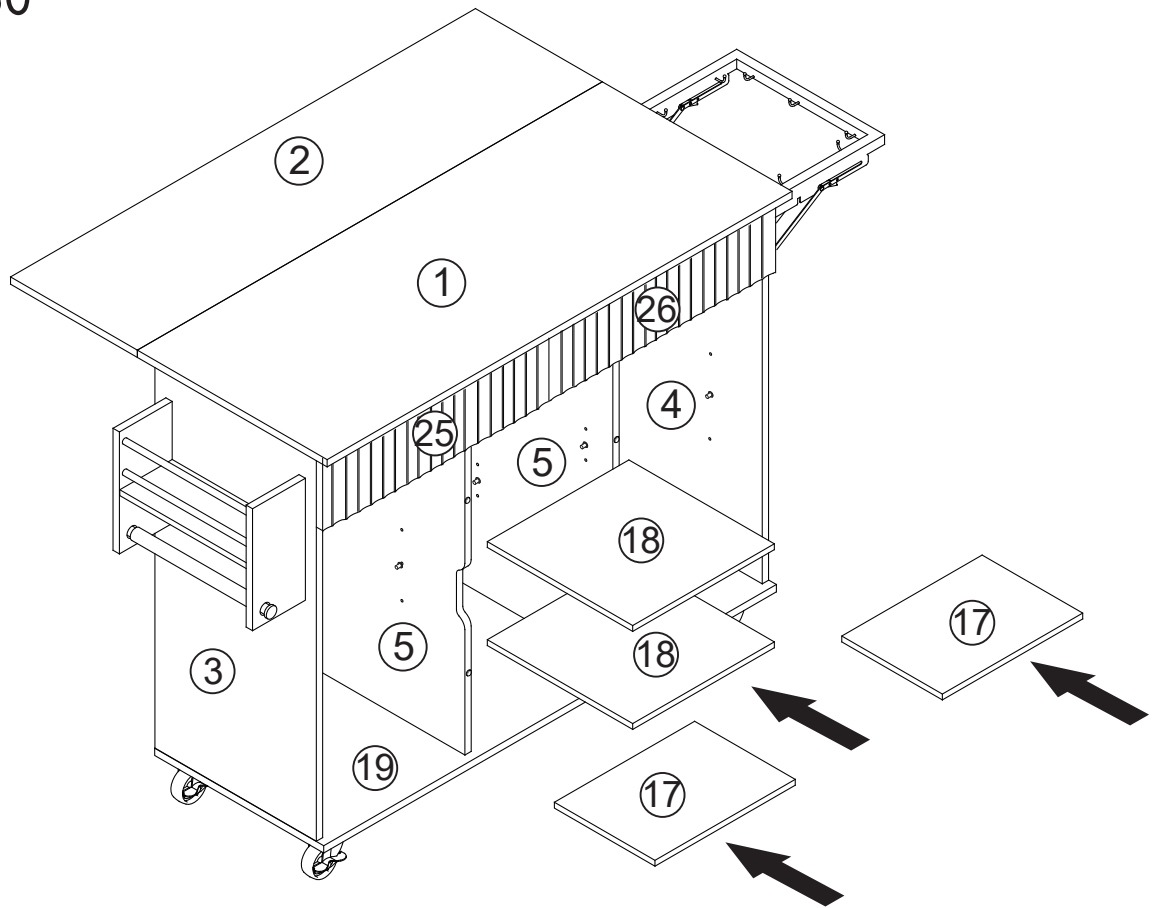


STEP 29

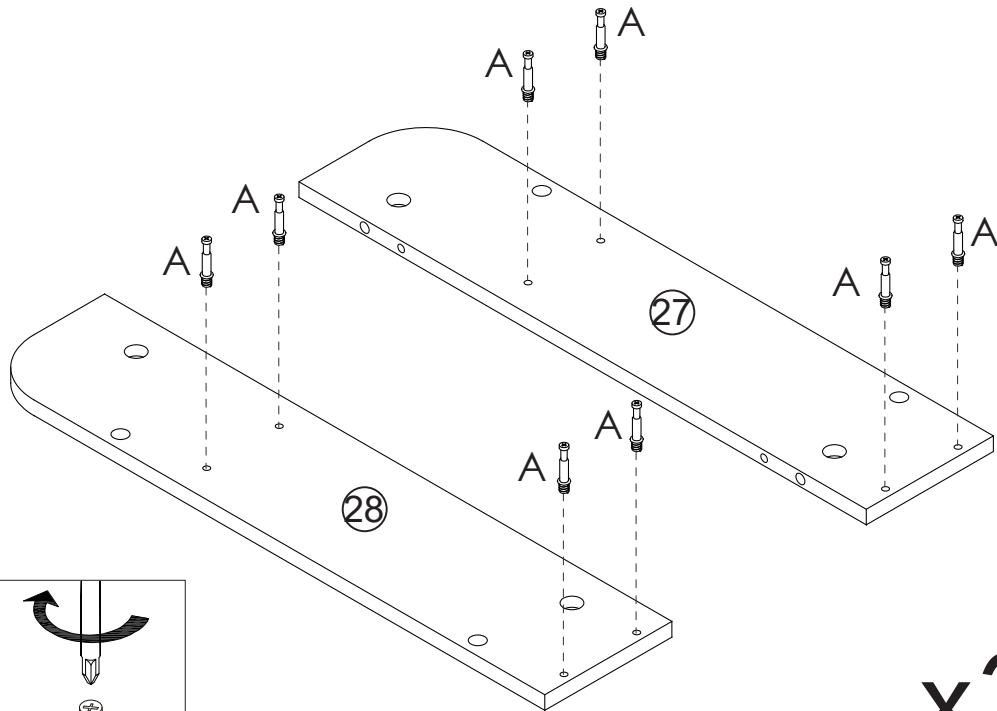


H	x16
Φ6mm	

STEP 30

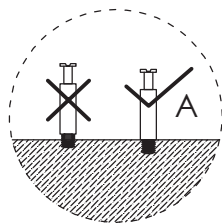
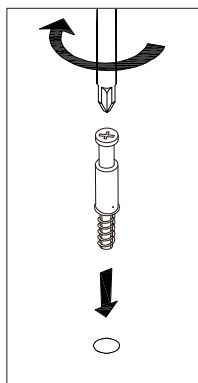


STEP 31

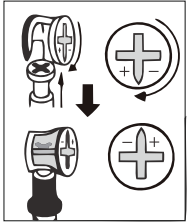



x2

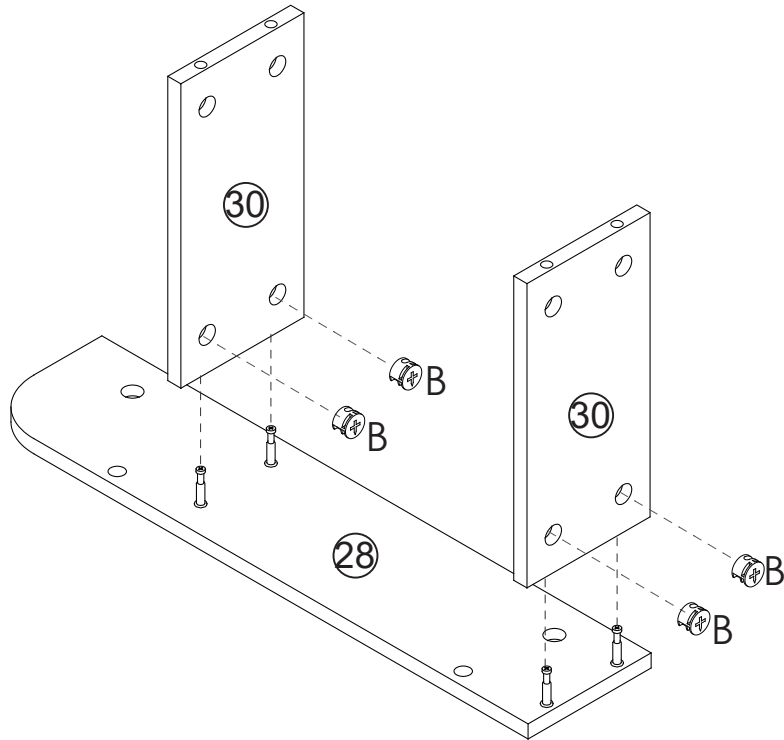
A	x16
Φ6x35mm	



STEP 32

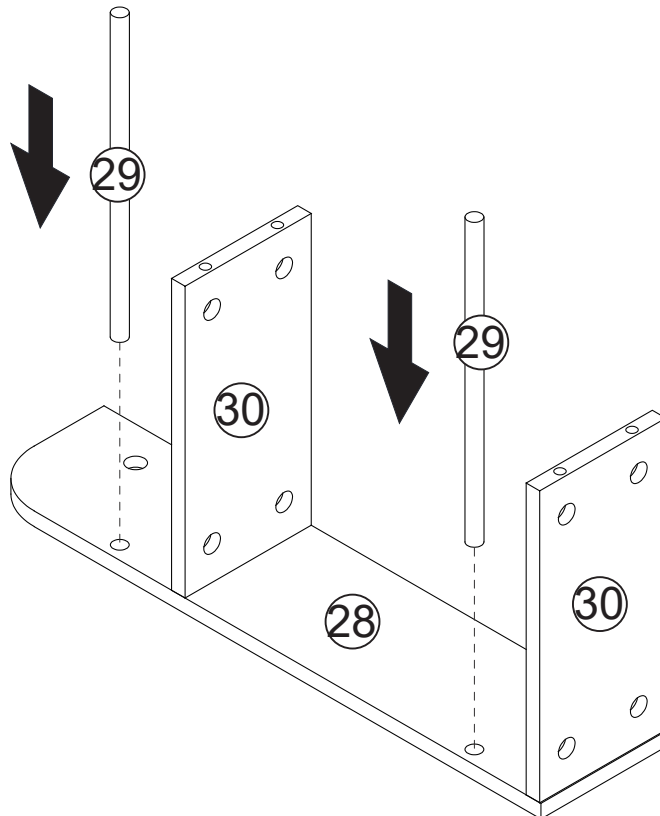


B	x8
	
Φ15x10mm	



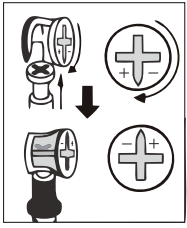
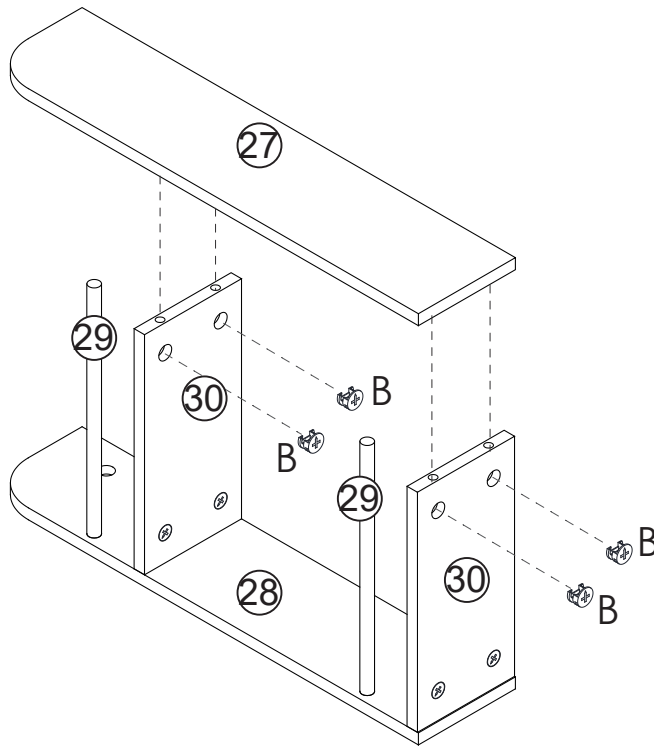
x2


STEP 33



x2

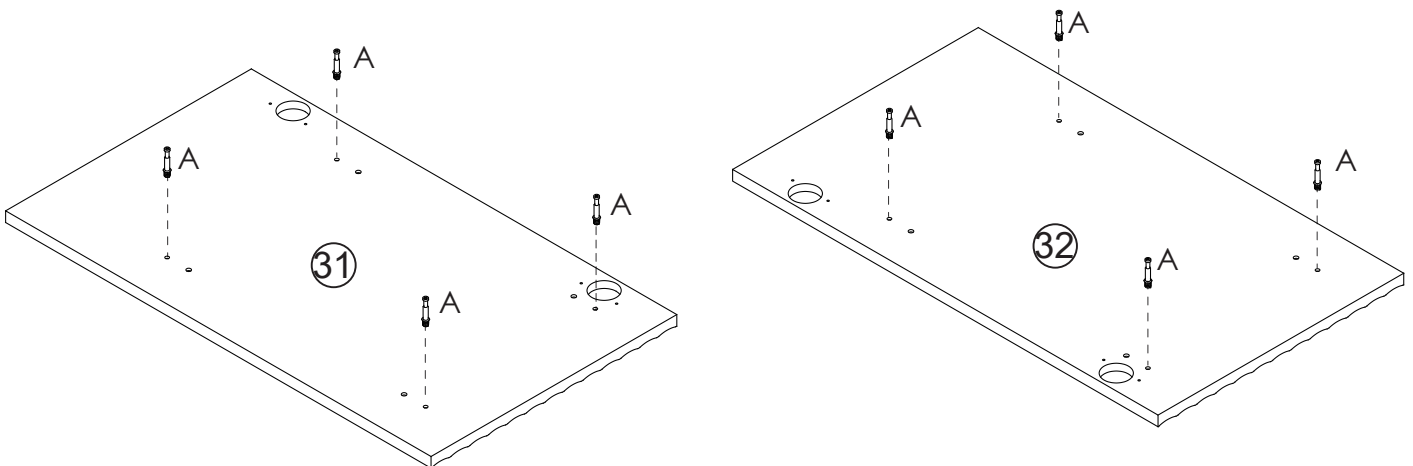
STEP 34

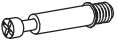


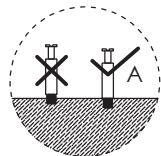
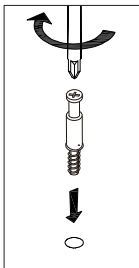
B	x8
	
$\Phi 15 \times 10 \text{mm}$	

x2

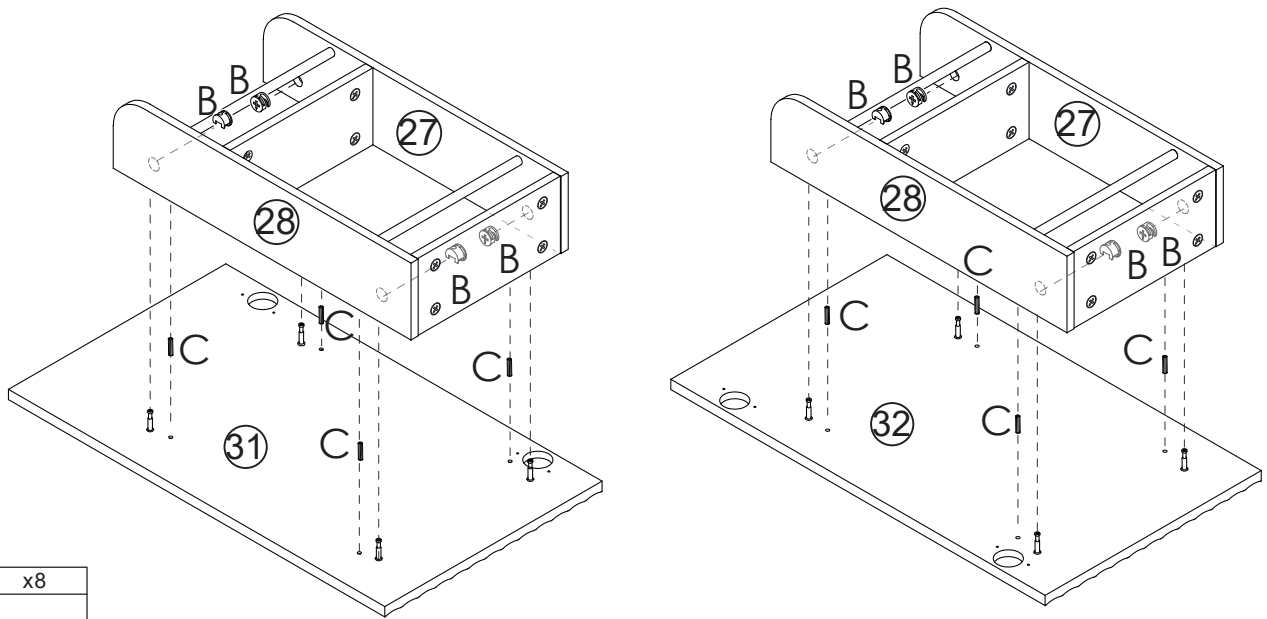
STEP 35



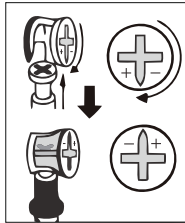
A	x8
	
$\Phi 6 \times 35 \text{mm}$	



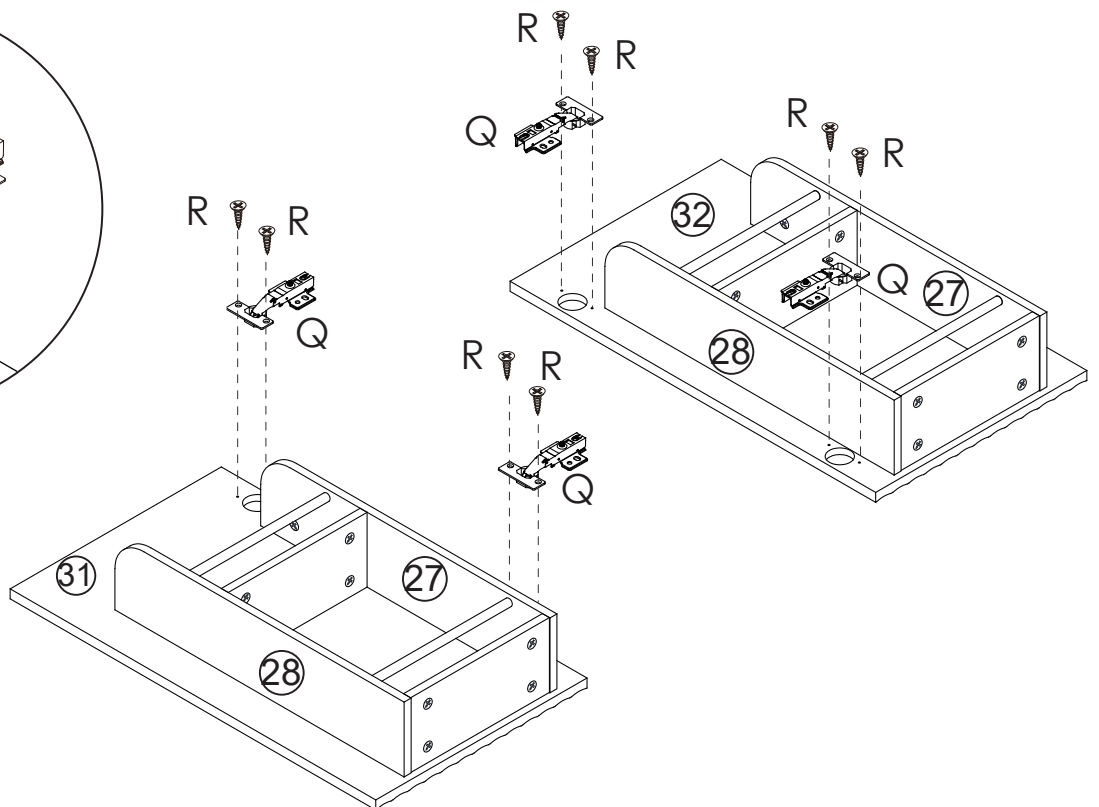
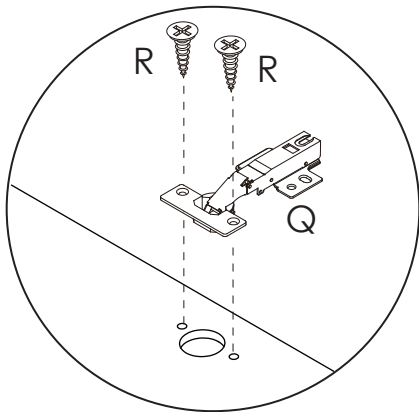
STEP 36



C	x8
Φ6x30mm	
B	x8
Φ15x10mm	



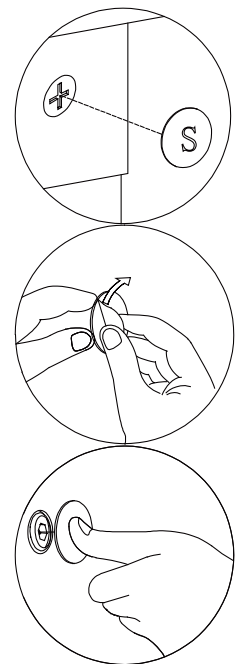
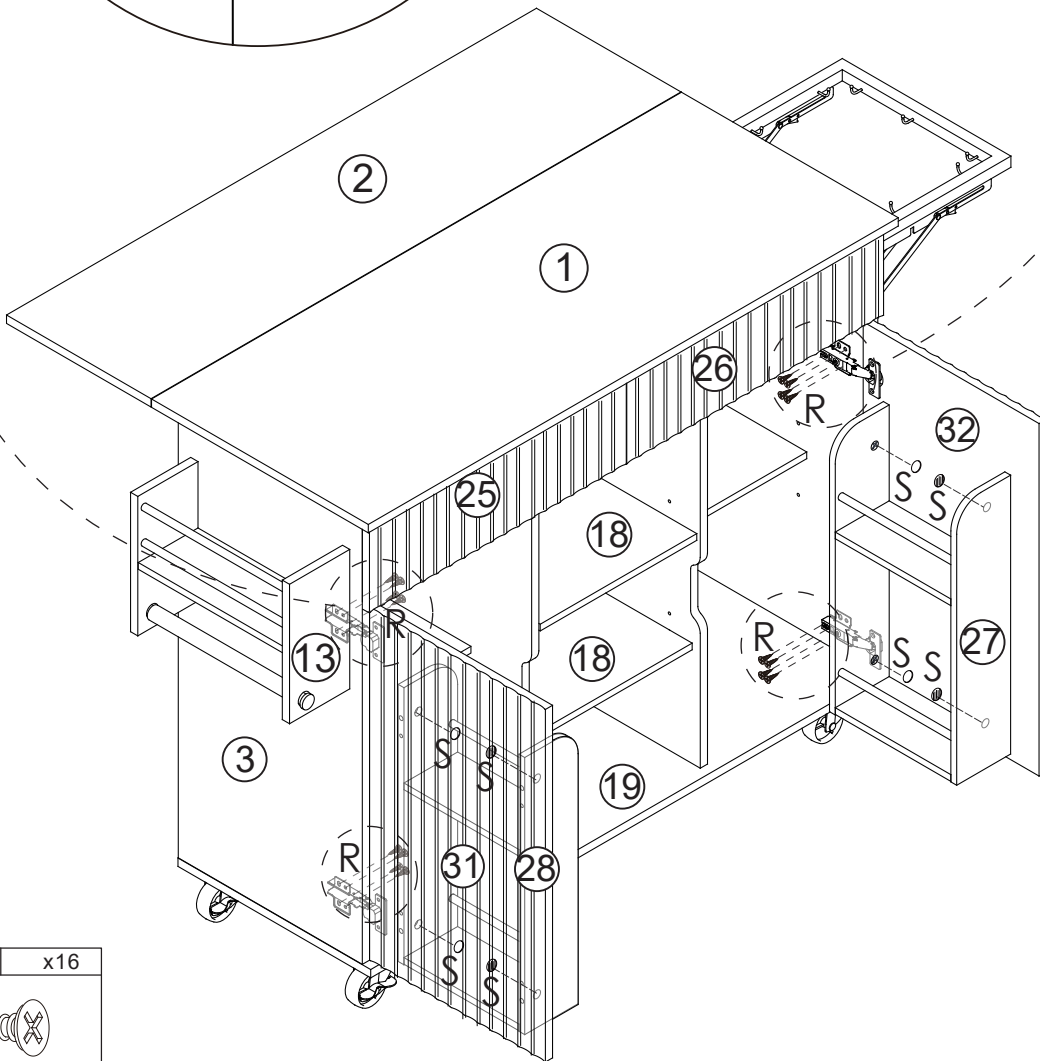
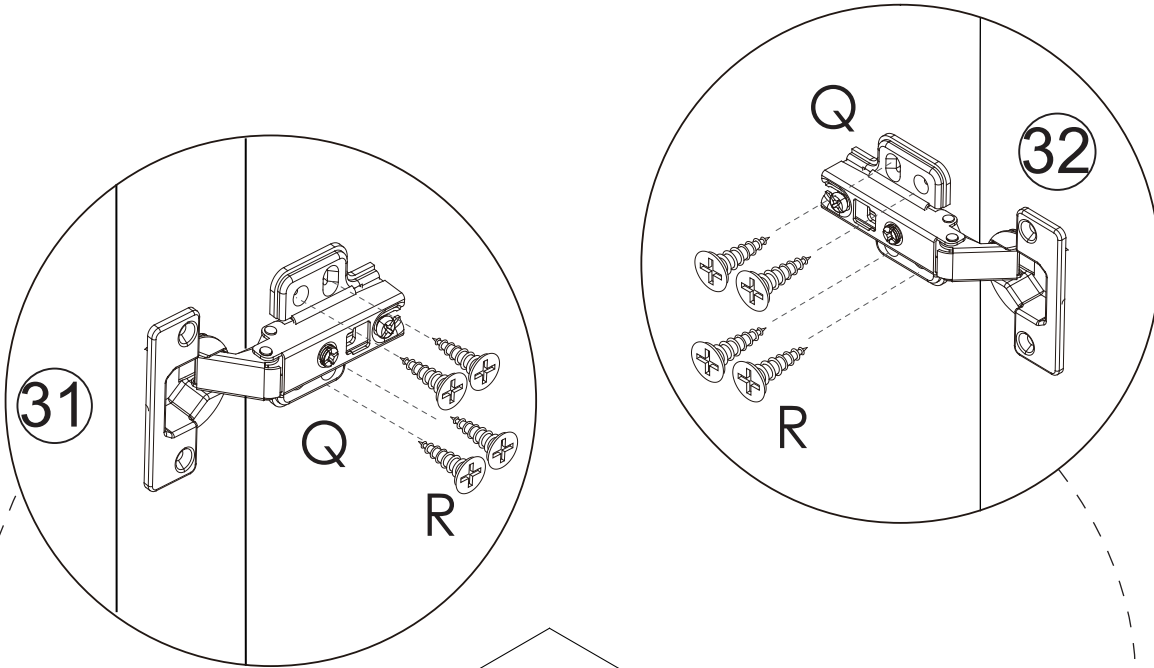
STEP 37



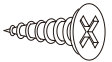
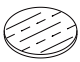
Q	x4
R	x8
Φ3.5x14mm	

STEP 38

Note: Please assemble the door according to the installation steps first. If the cabinet door is deviated, the internal hinge needs to be slowly adjusted to solve the problem.



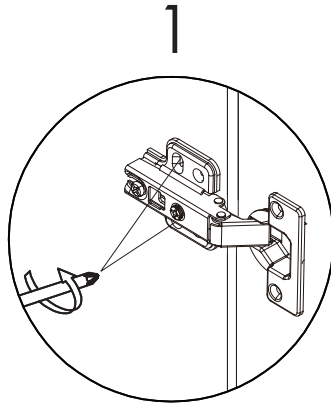
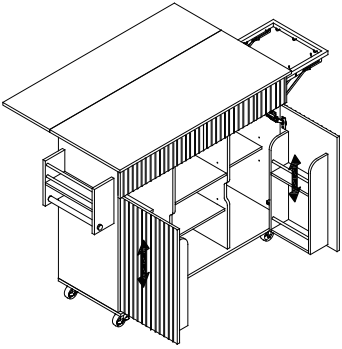
Cover the visible

R	x16
	
Φ3.5x14mm	
S	x8
	
Φ20mm	

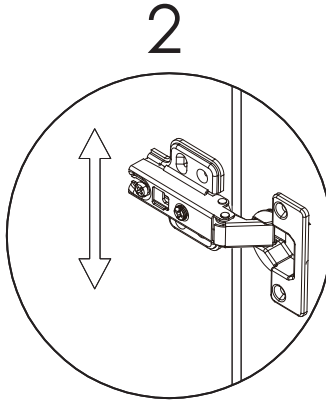
STEP 39



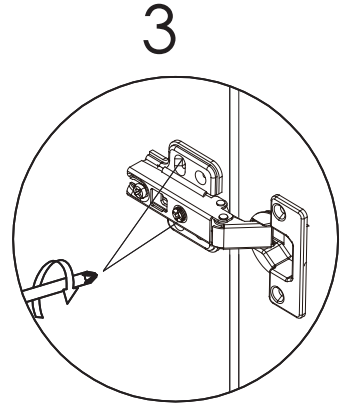
NOTE :If you notice that the cabinet doors are not properly aligned, such as significant gaps or vertical or horizontal misalignment, please adhere to the following adjustment instructions.



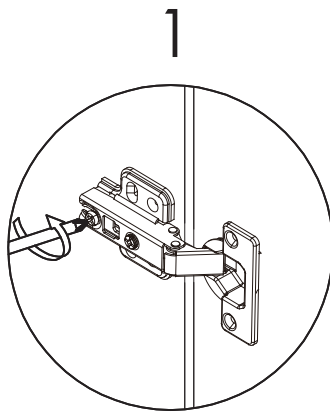
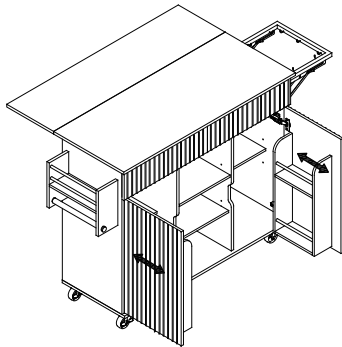
lose these 2 screws



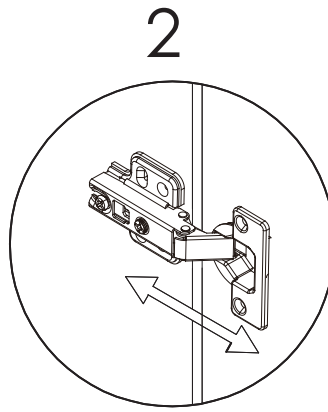
move hinge up/down



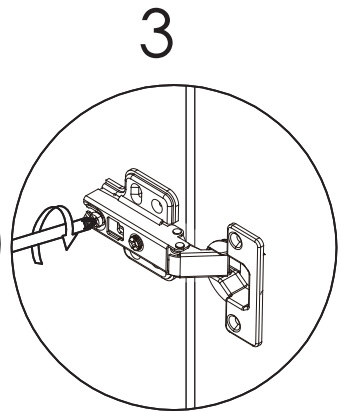
tighten these 2 screws again



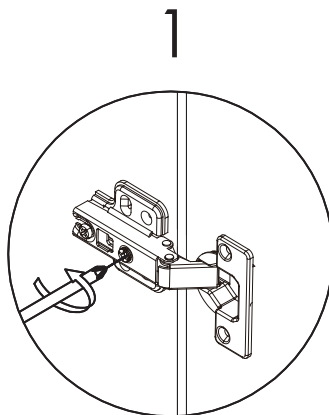
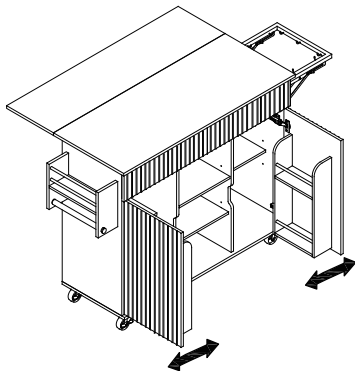
lose these screws



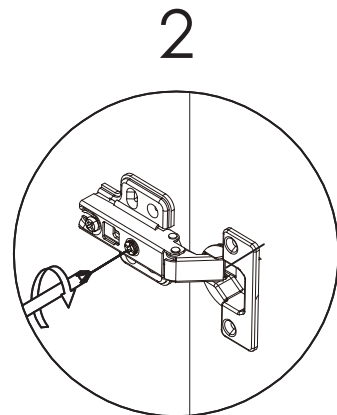
shift hinge in/out



tighten this screw again



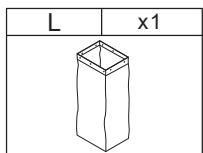
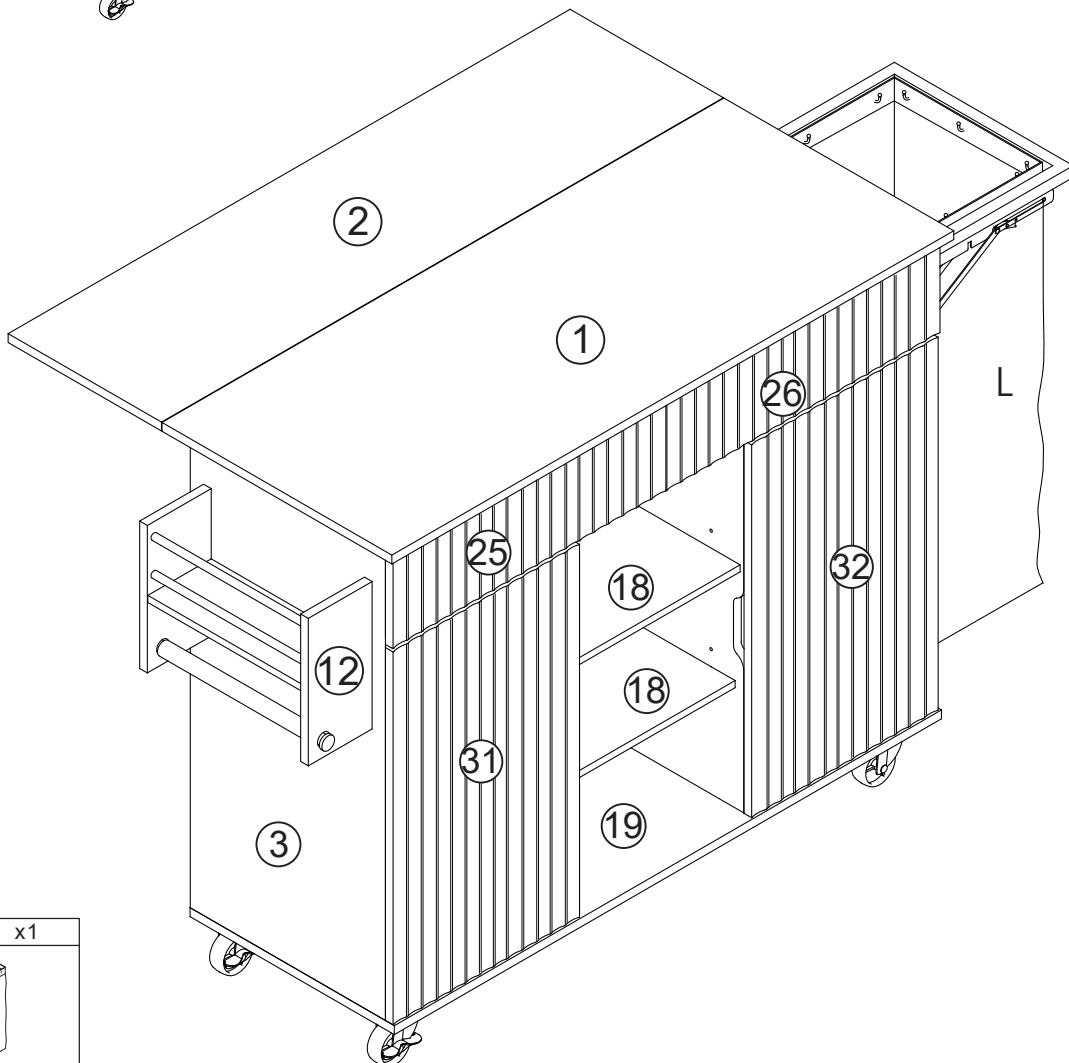
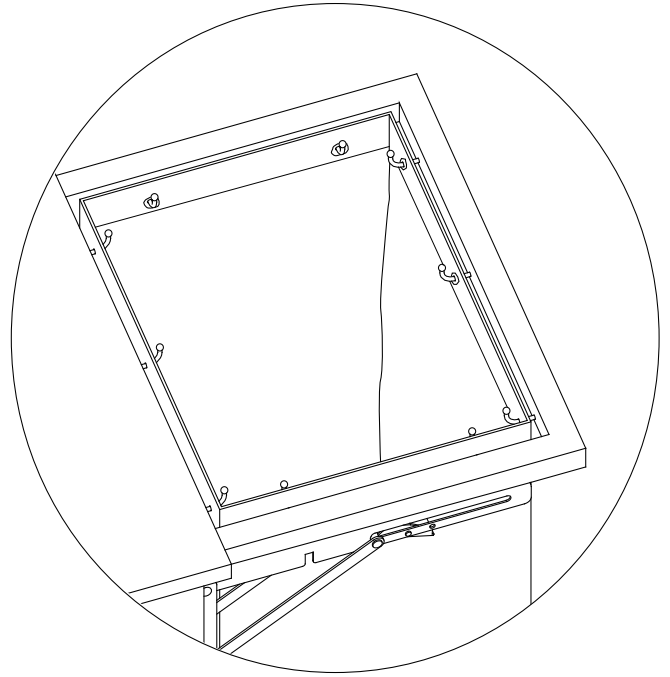
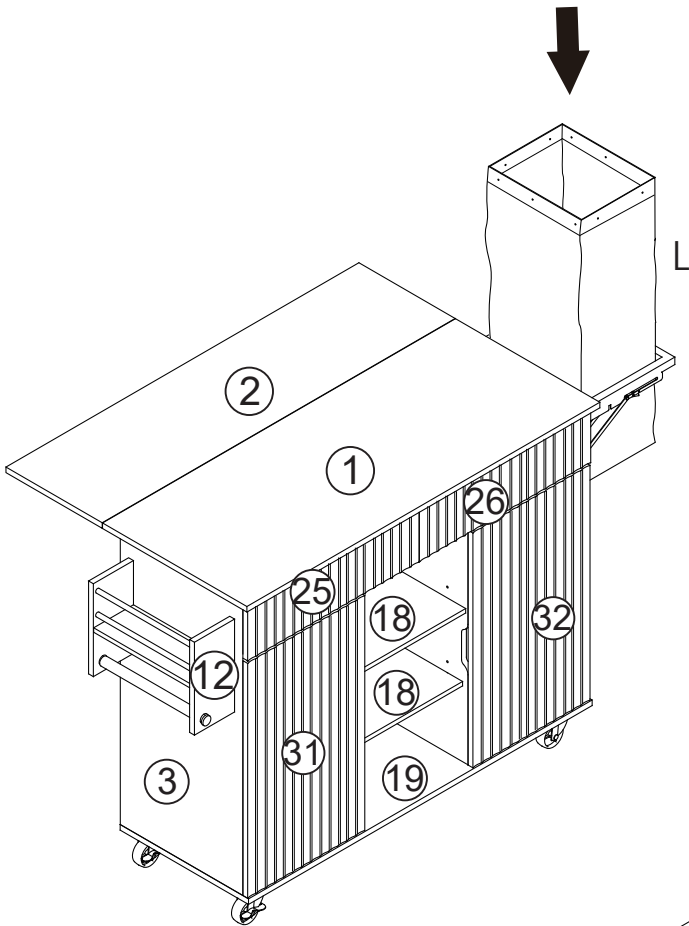
lose this screw would get hinge/door closer to side board



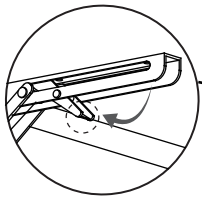
tighten this screw would get hinge/door away from side board

STEP 40

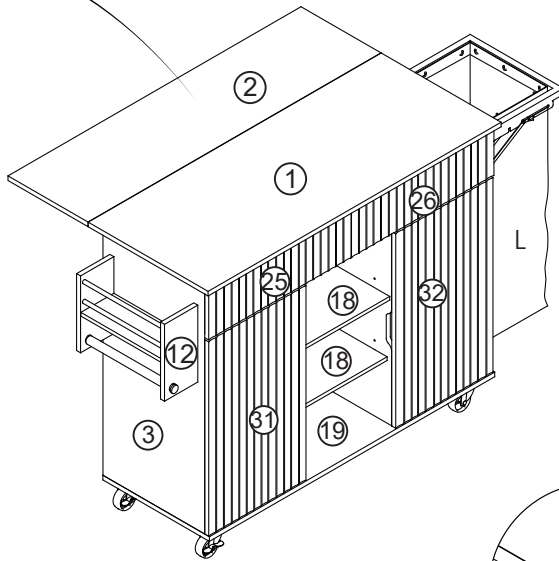
Please place the bag on the hook slowly adjusted to solve the problem.



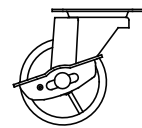
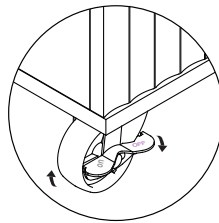
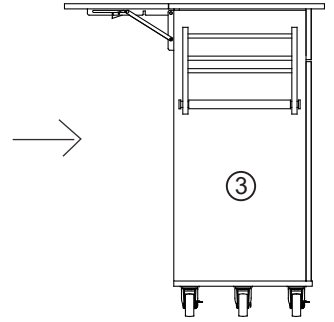
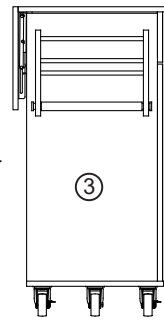
STEP 41



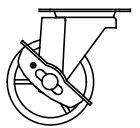
Press the handrail to fold the table top



90°



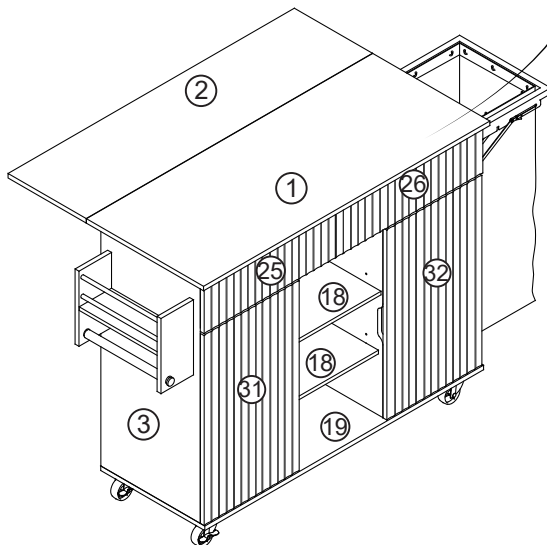
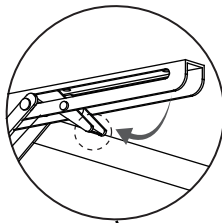
Locked state



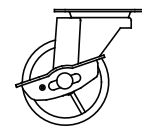
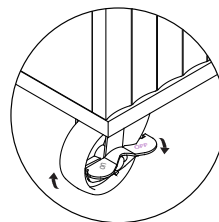
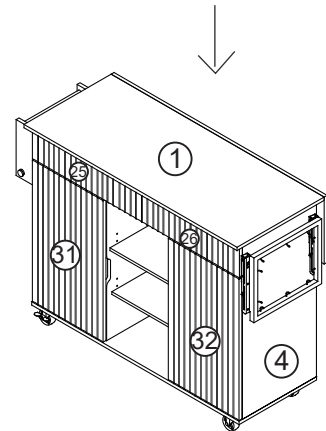
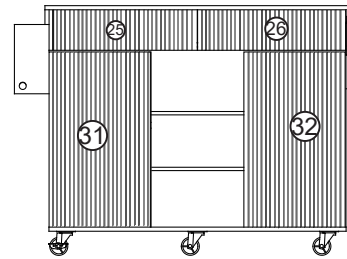
ON state

STEP 42

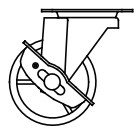
Press the handrail to fold the table top



90°



Locked state



ON state

STEP 43

