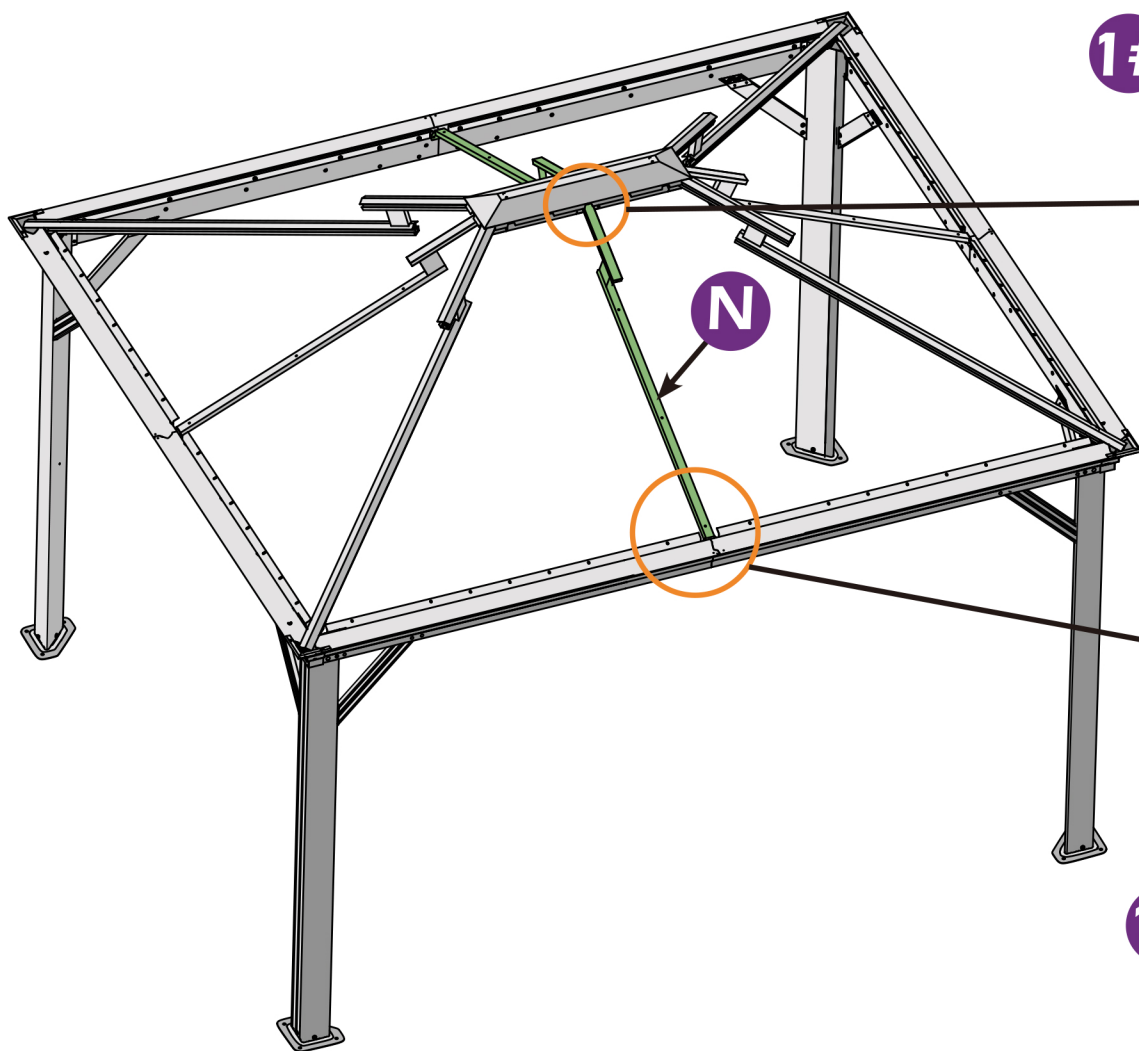
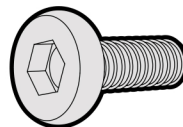




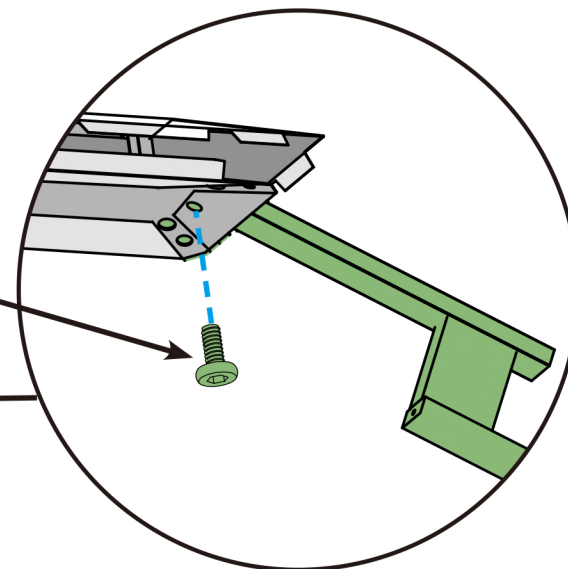
N × 2



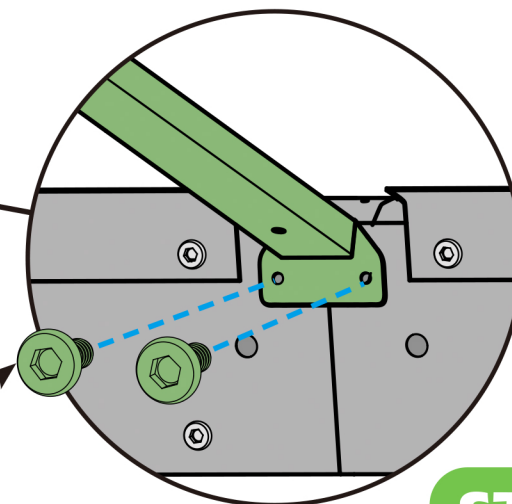
1# × 6



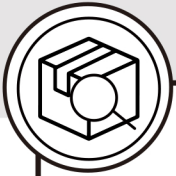
1#



1#



STEP 2

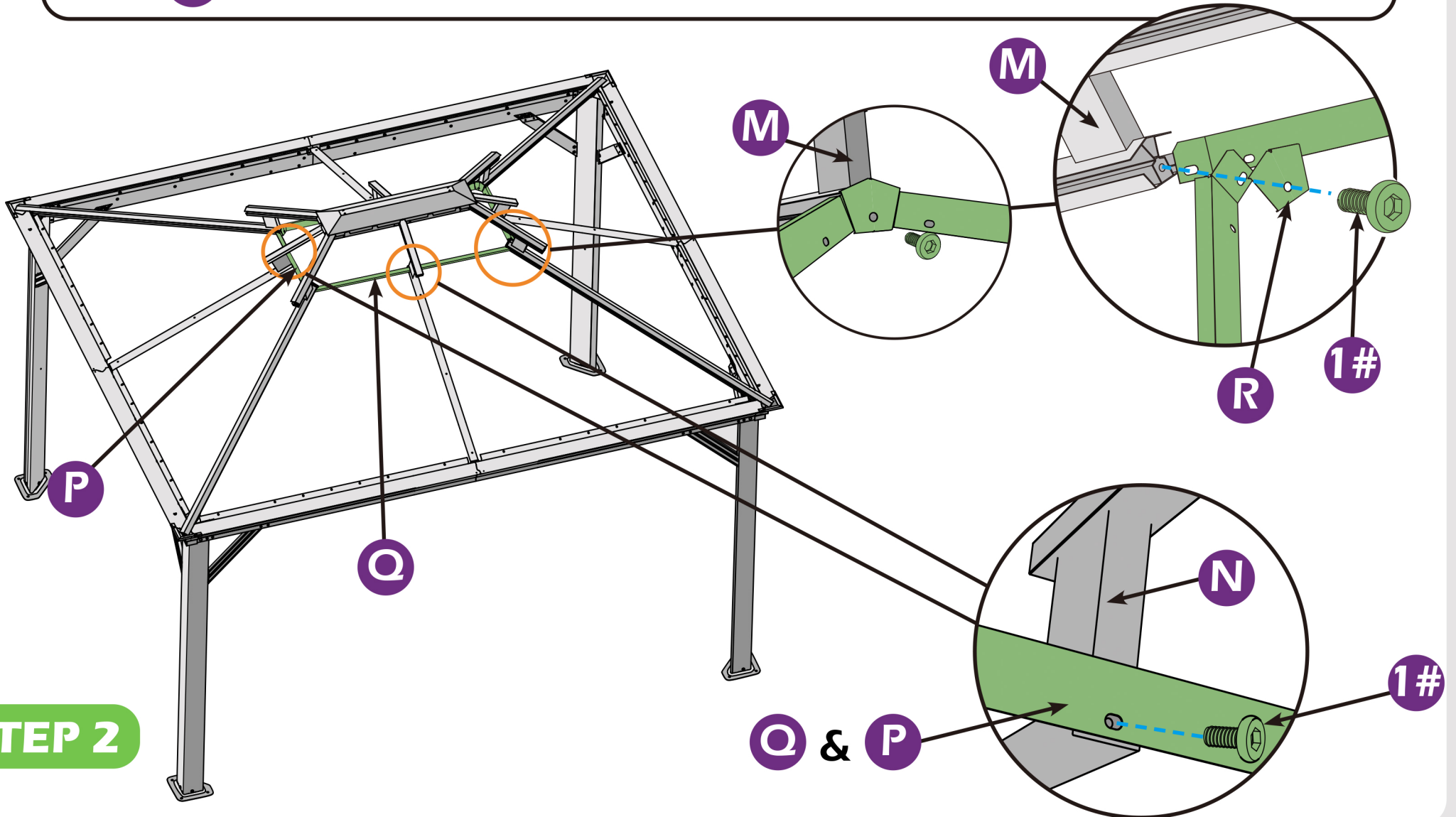


P × 2

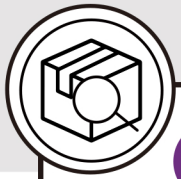
R × 4

1# × 8

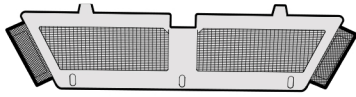
Q × 2



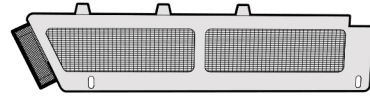
STEP 2



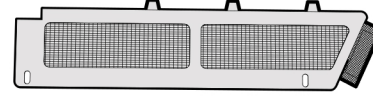
P1 × 2



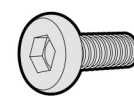
Q1 × 2



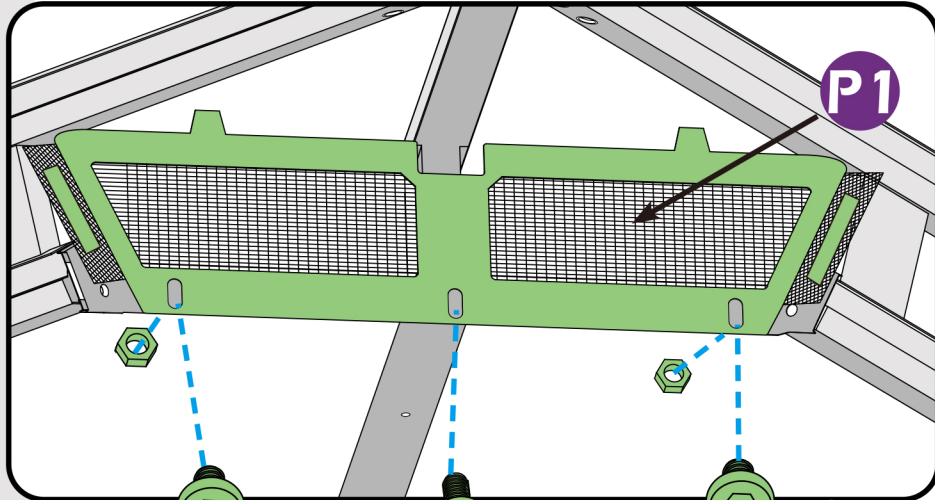
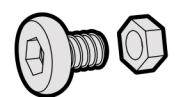
Q2 × 2



1# × 4



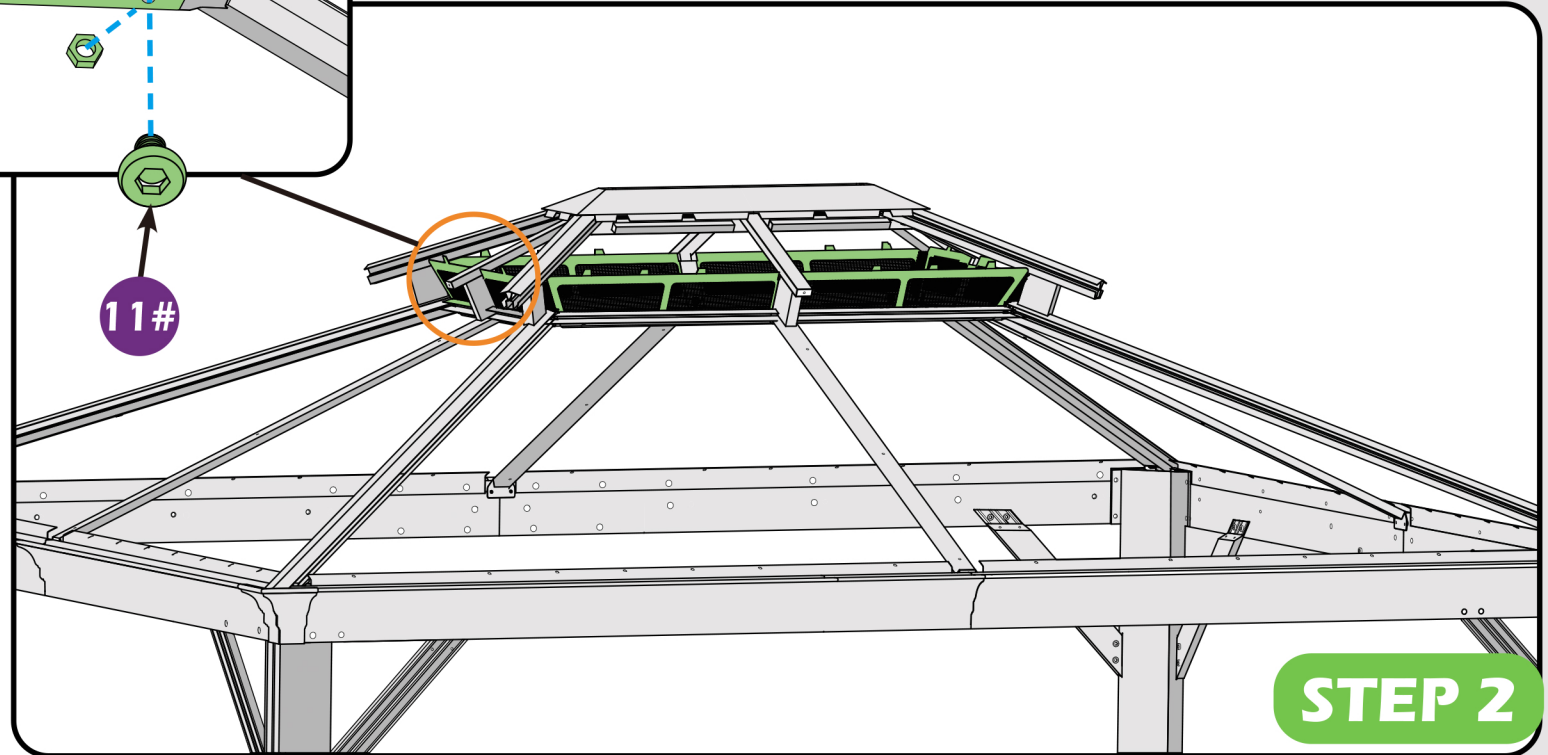
11# × 8



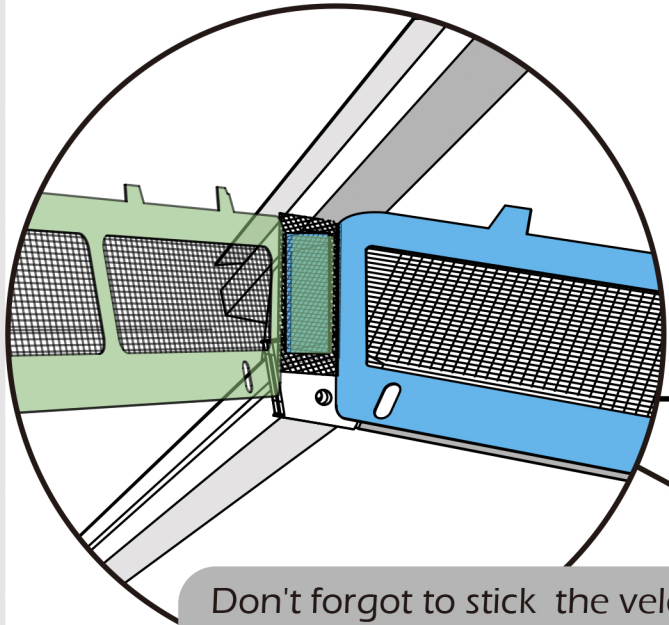
11#

1#

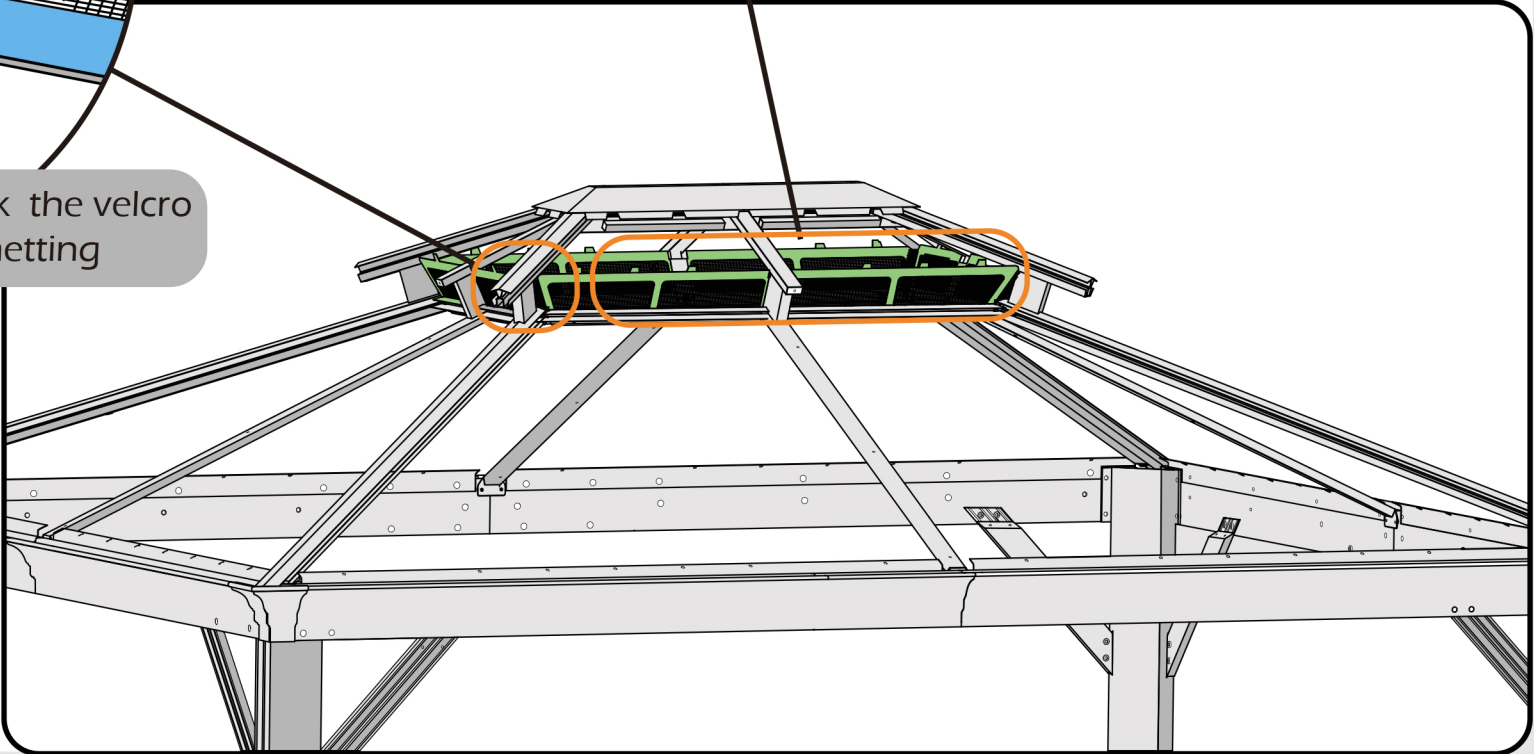
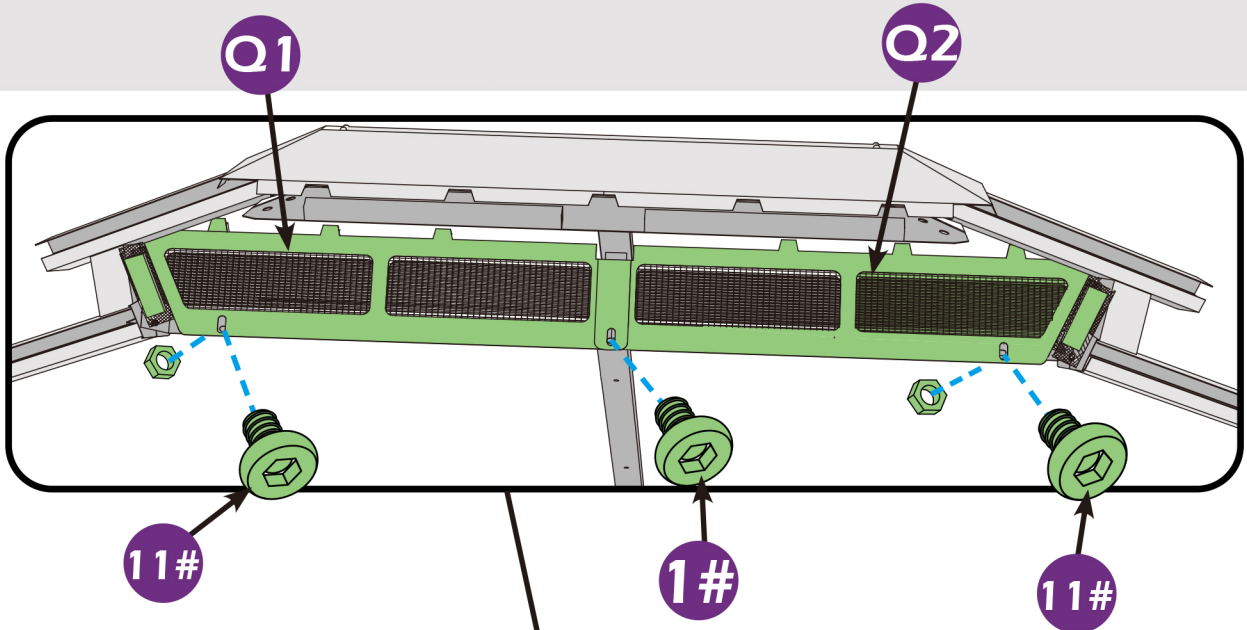
11#



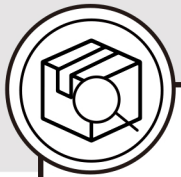
STEP 2



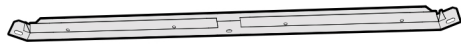
Don't forget to stick the velcro between the bug netting



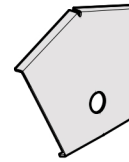
STEP 2



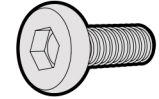
T1 × 2



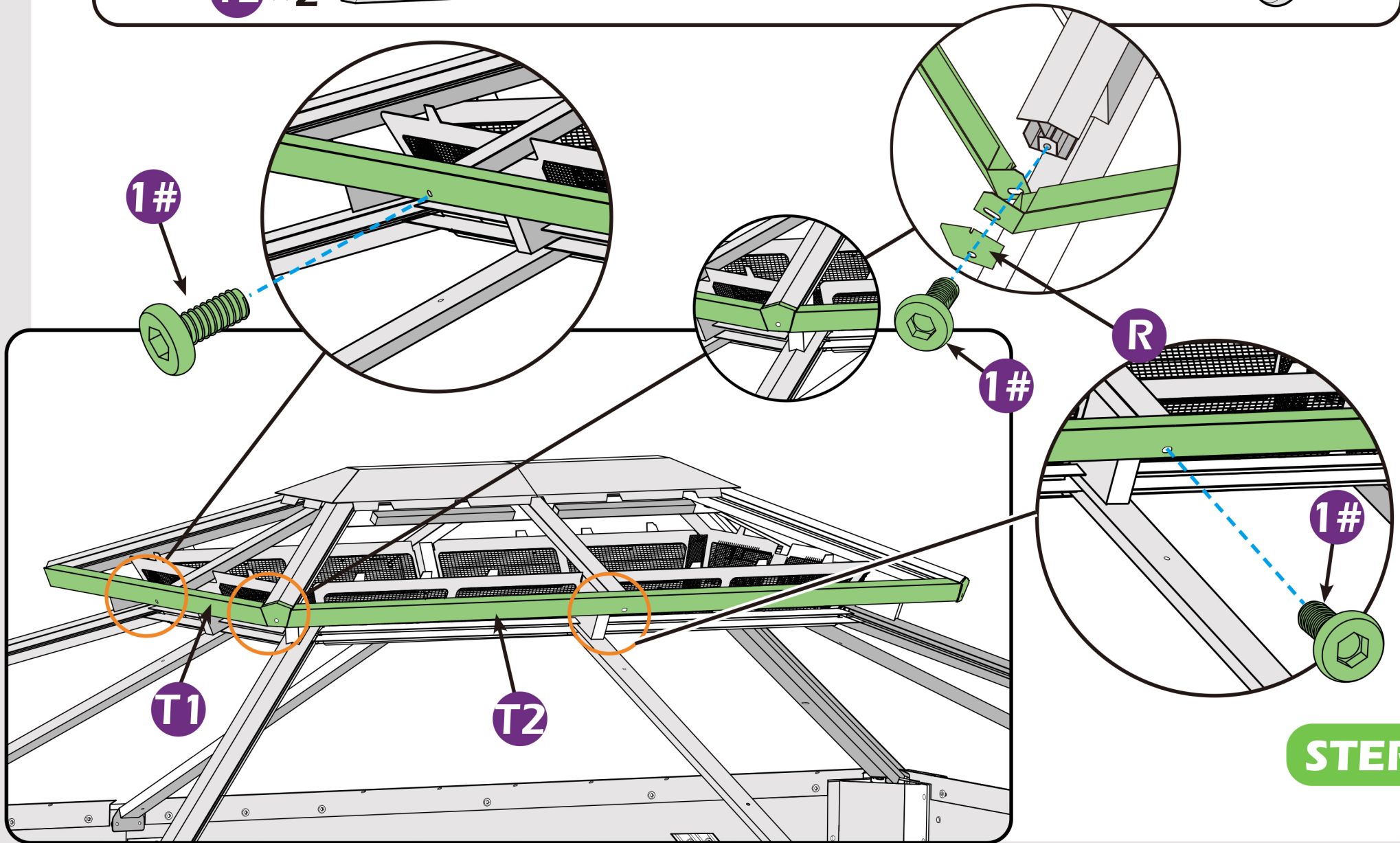
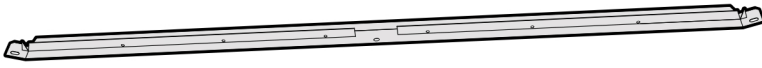
R × 4



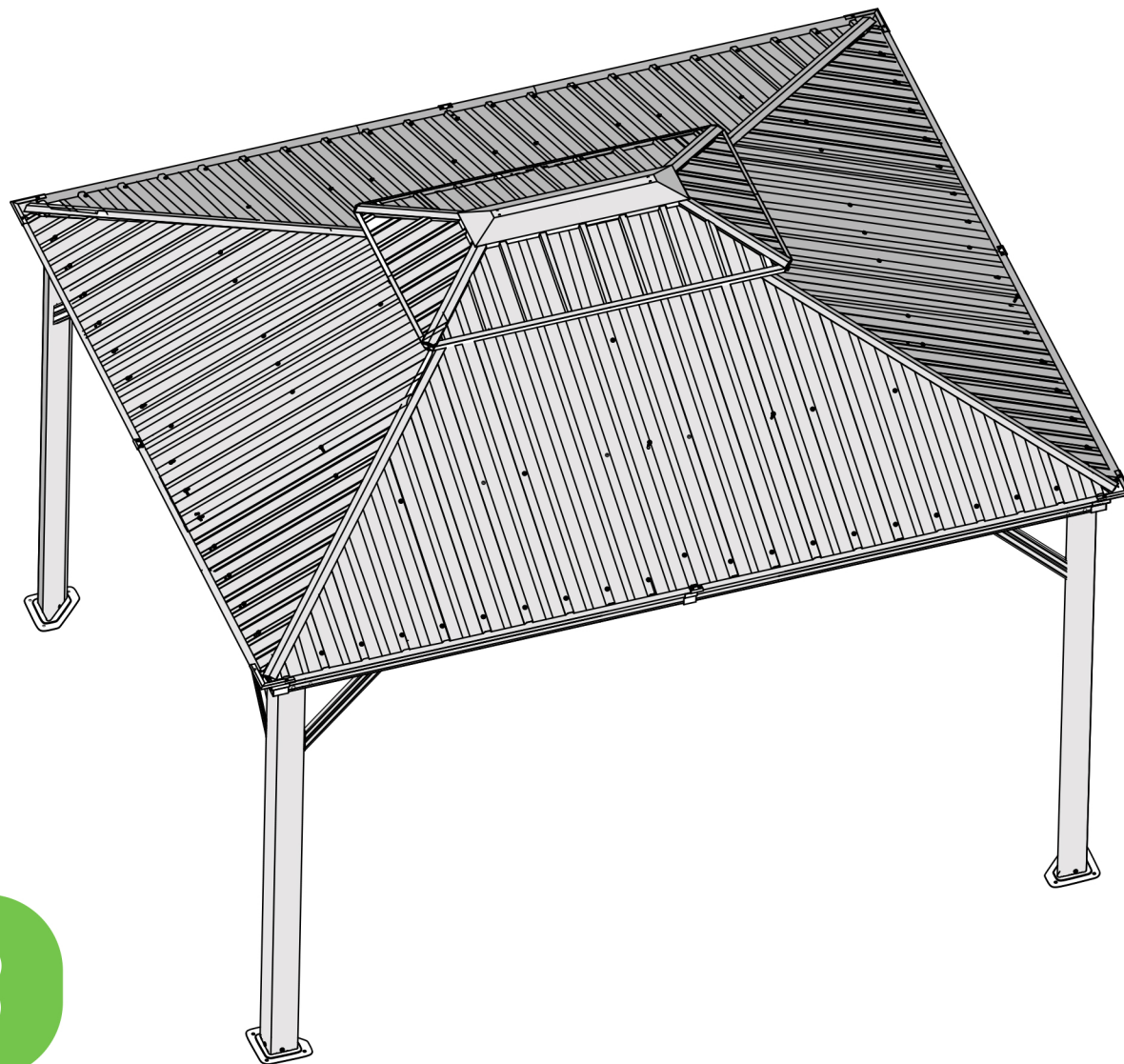
1# × 8



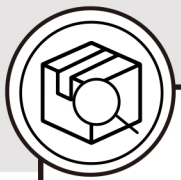
T2 × 2



STEP 2



STEP 3



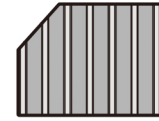
V1 x 2



V3 x 2



V4 x 2



Z1 x 4



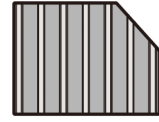
V2 x 2



V6 x 2



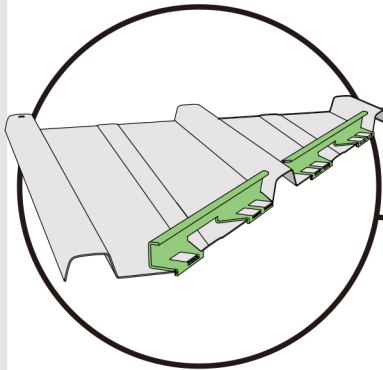
V5 x 2



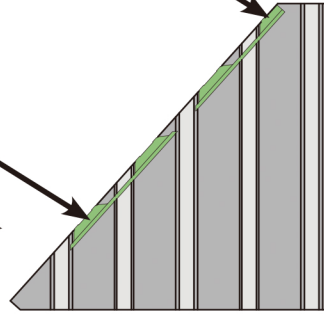
Z x 8



Z2 x 4

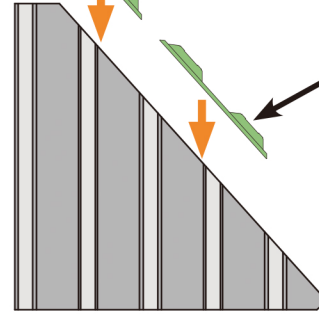


Z1



V1

Z

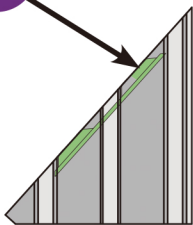


V2

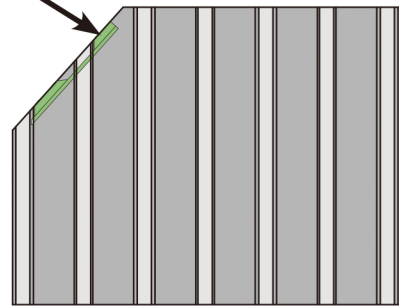
Z

Z1

Z

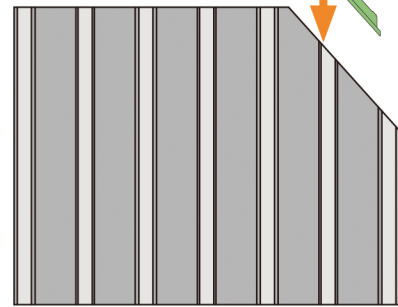


V3



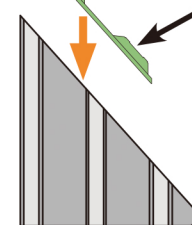
V4

Z2



V5

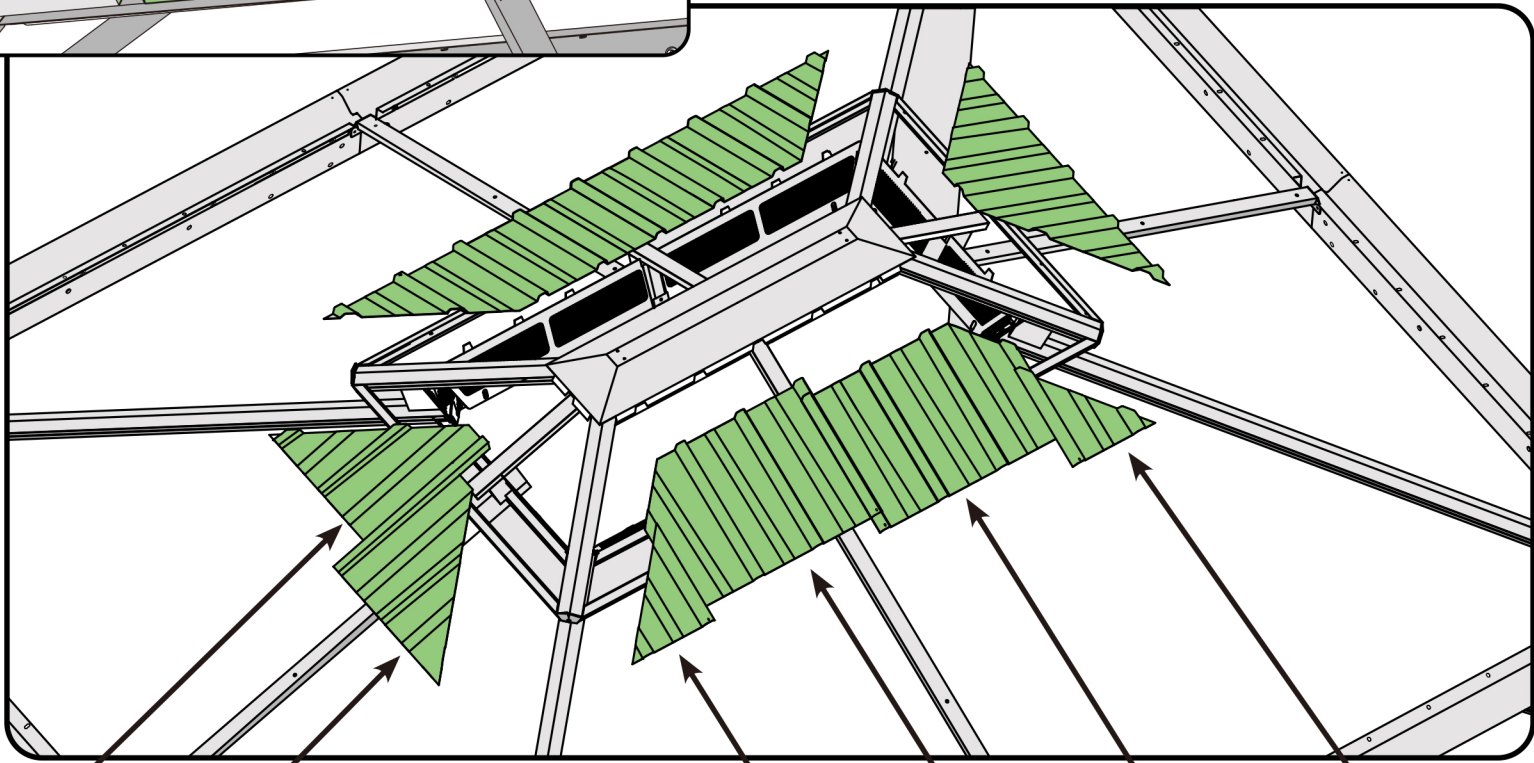
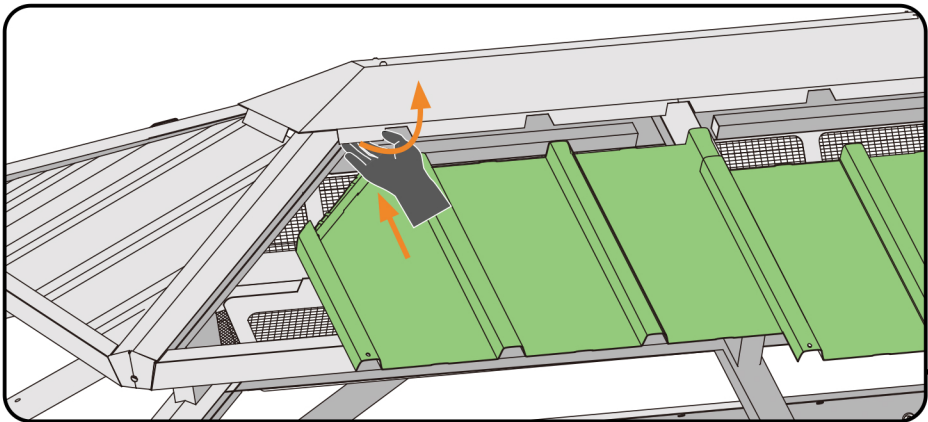
Z



V6

STEP 3

If you can't install **V4** or **V5**, push the part K up and try to insert them again.



STEP 3

V1

V2

V3

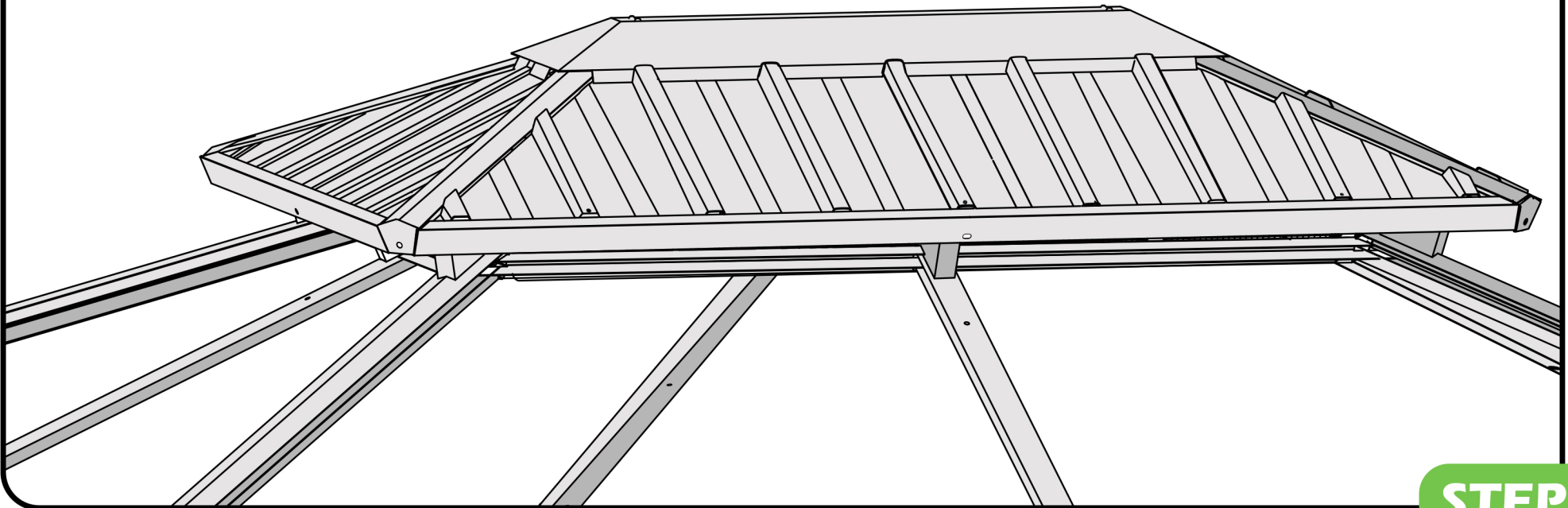
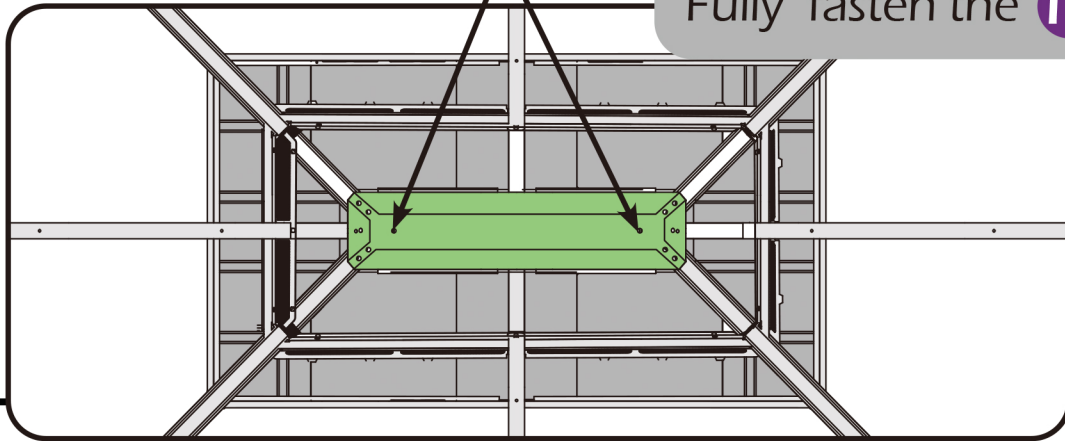
V4

V5

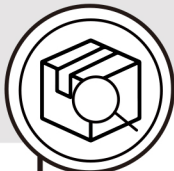
V6

1#

Fully fasten the 1# bolts in K & K1.



STEP 3



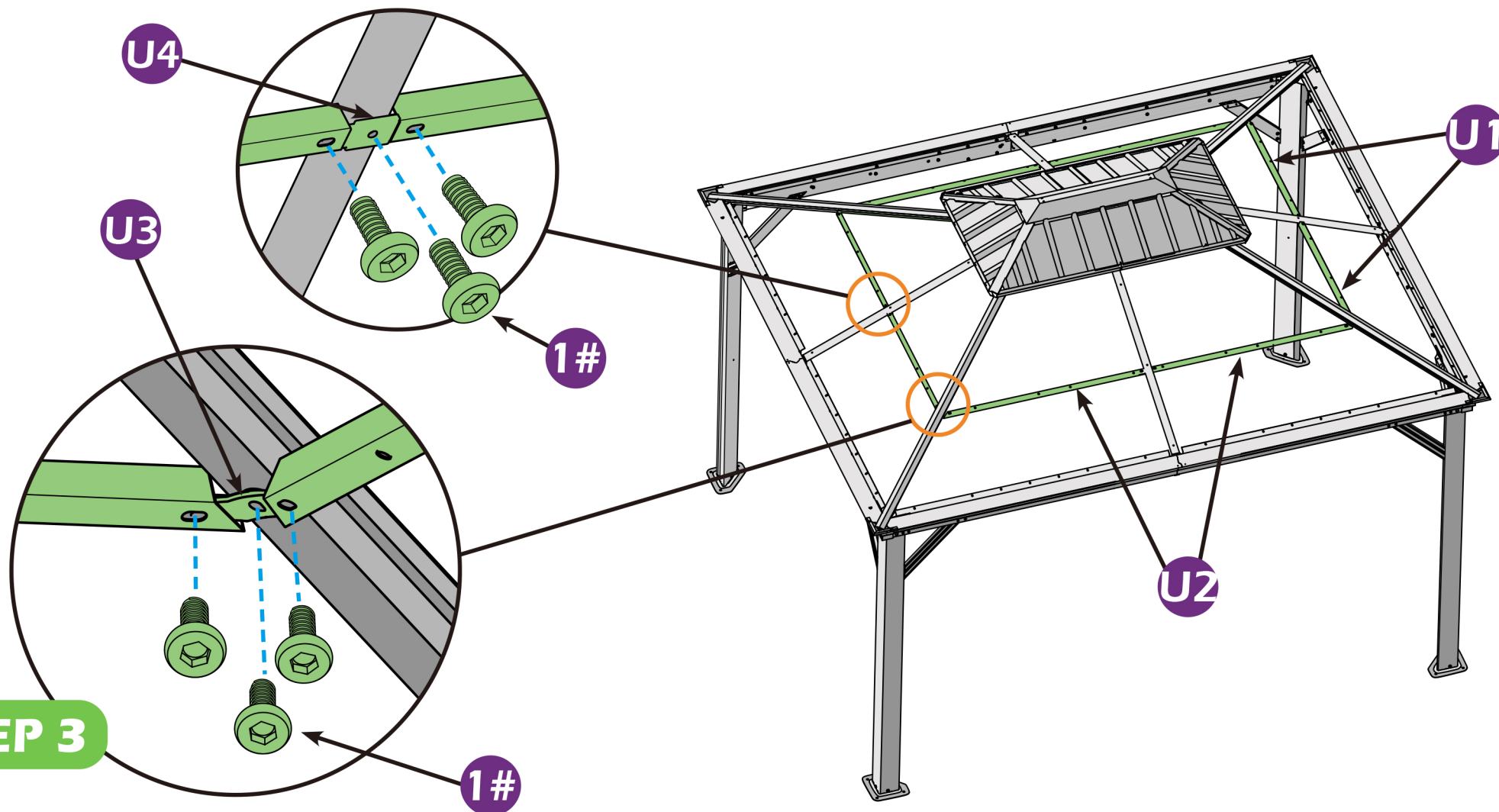
U1 × 4

U3 × 4

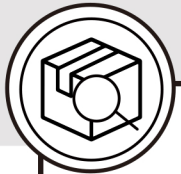
U4 × 4

U2 × 4

1# × 24



STEP 3



W1 x 2 

W2 x 2 

W3 x 2 

Z x 24 

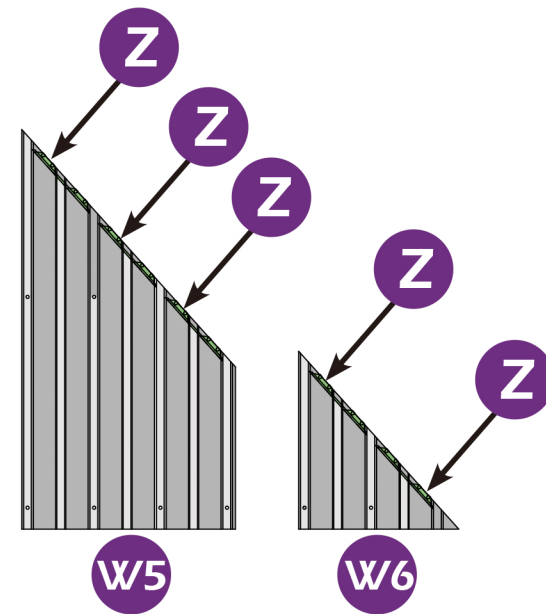
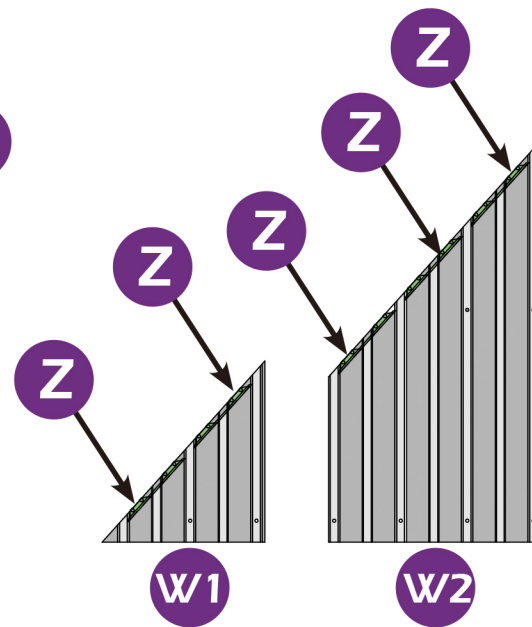
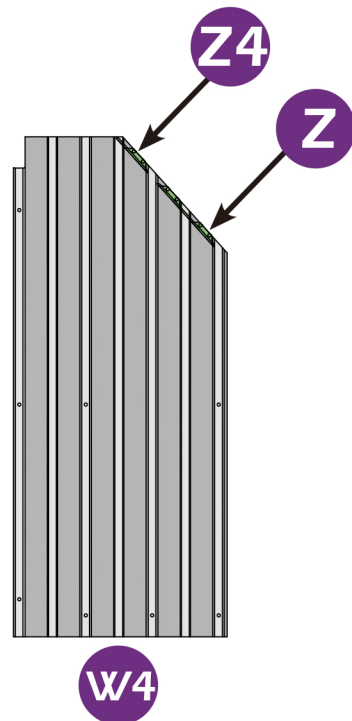
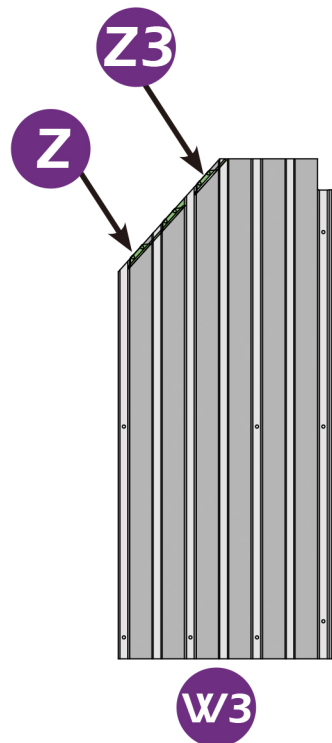
W6 x 2 

W5 x 2 

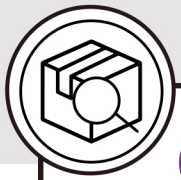
W4 x 2 

Z3 x 2 

Z4 x 2 



STEP 3



X1 x 2 

X2 x 2 

X3 x 2 

X4 x 2 

Z x 24 

Z3 x 2 

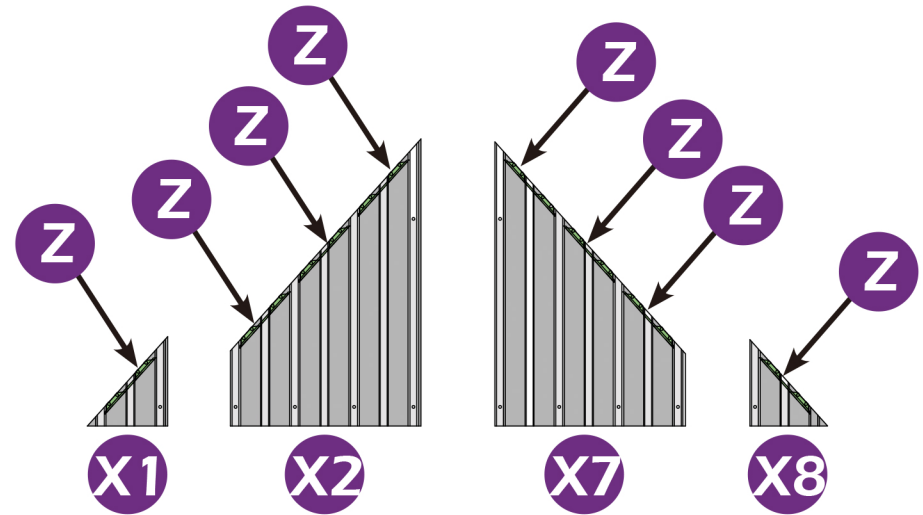
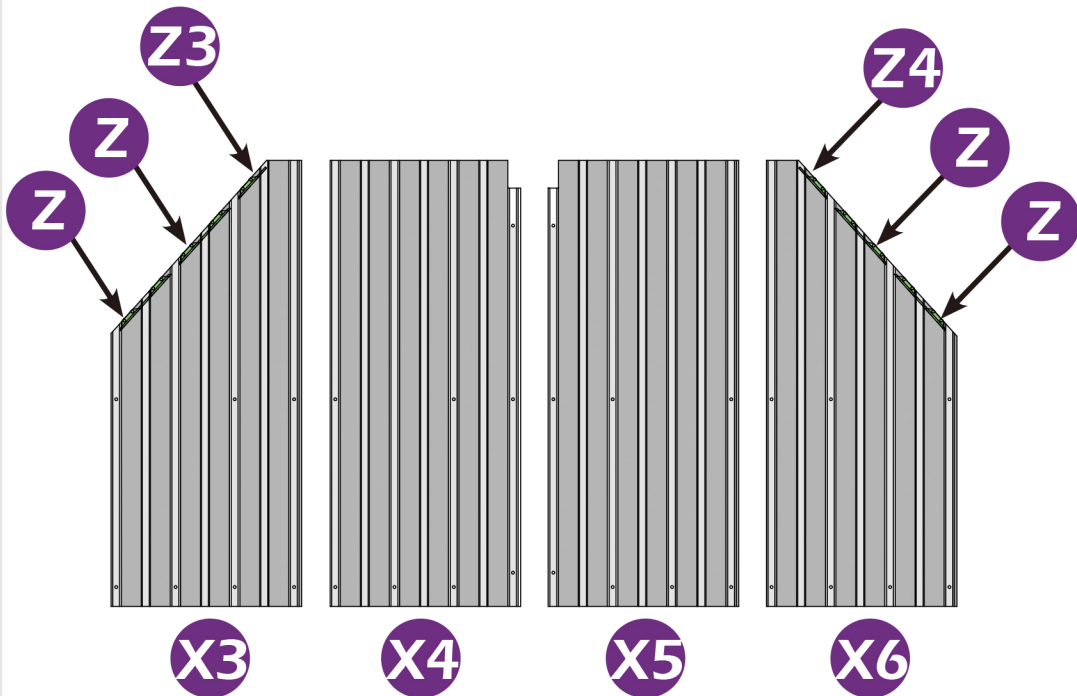
X8 x 2 

X7 x 2 

X6 x 2 

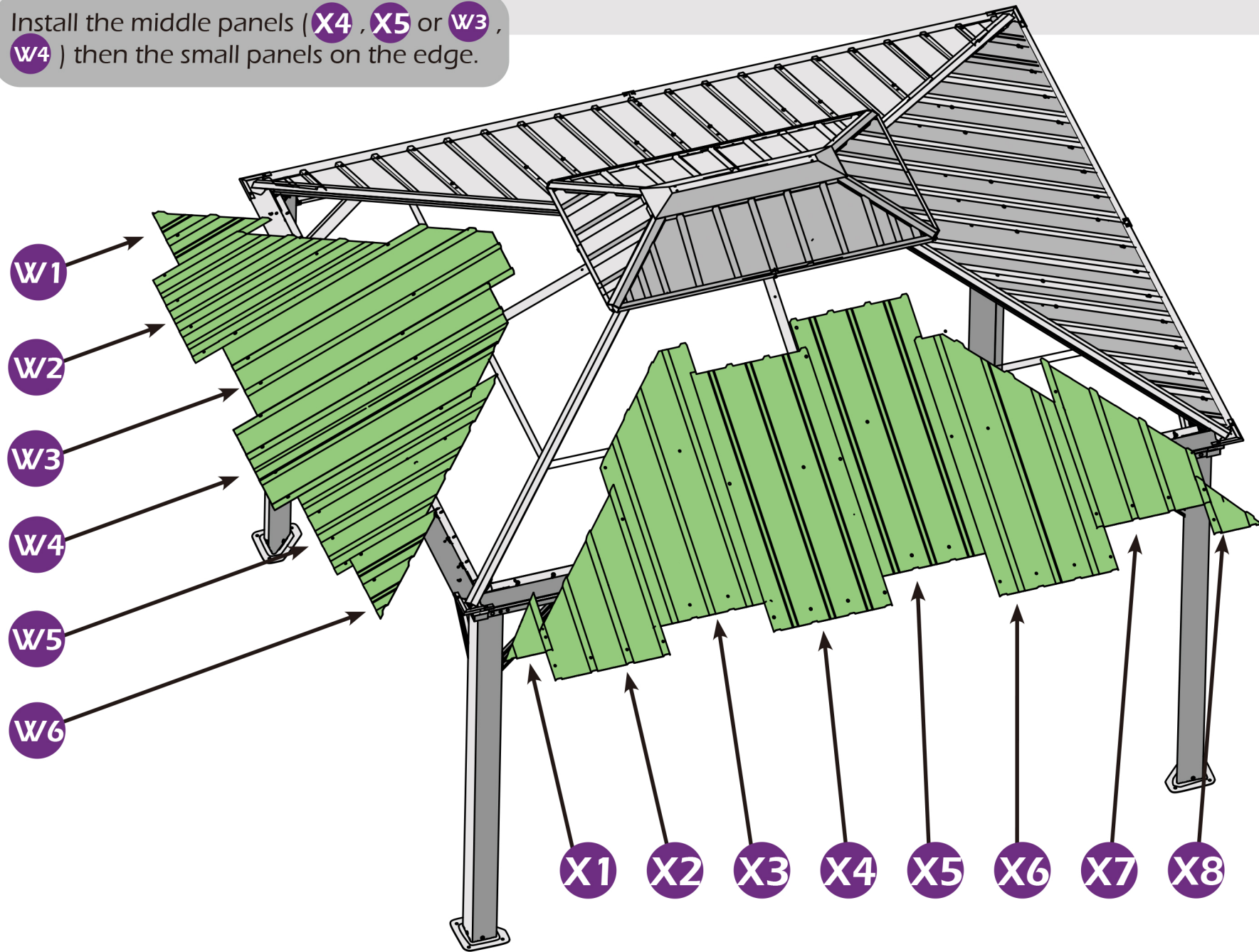
X5 x 2 

Z4 x 2 

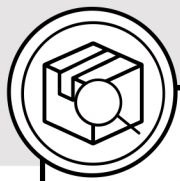


STEP 3

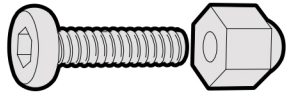
Install the middle panels (X4 , X5 or W3 , W4) then the small panels on the edge.



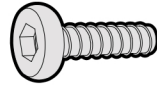
STEP 3



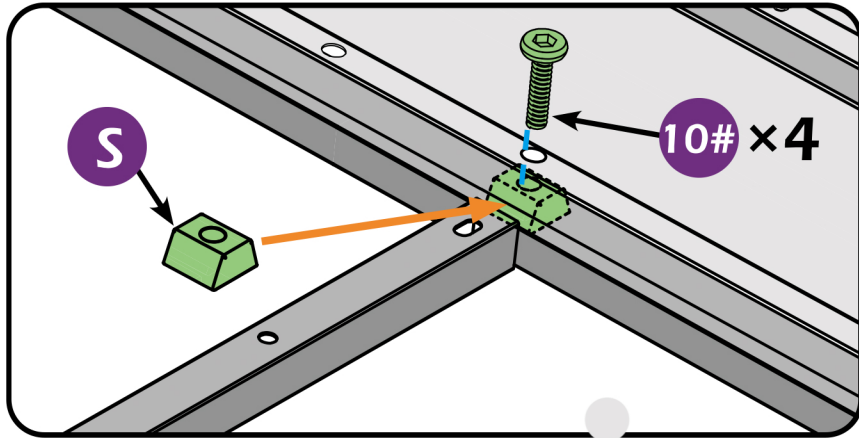
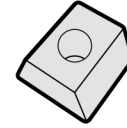
5#×64



10#×4

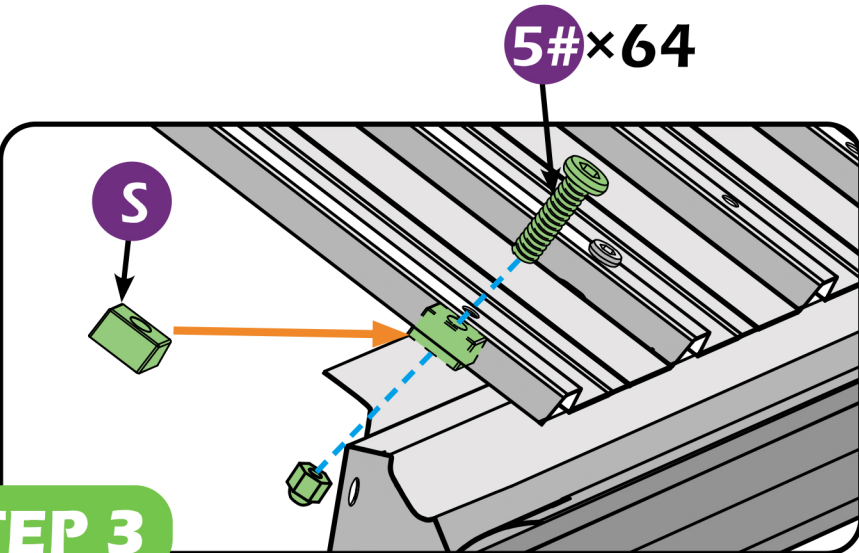


S×68



10#×4

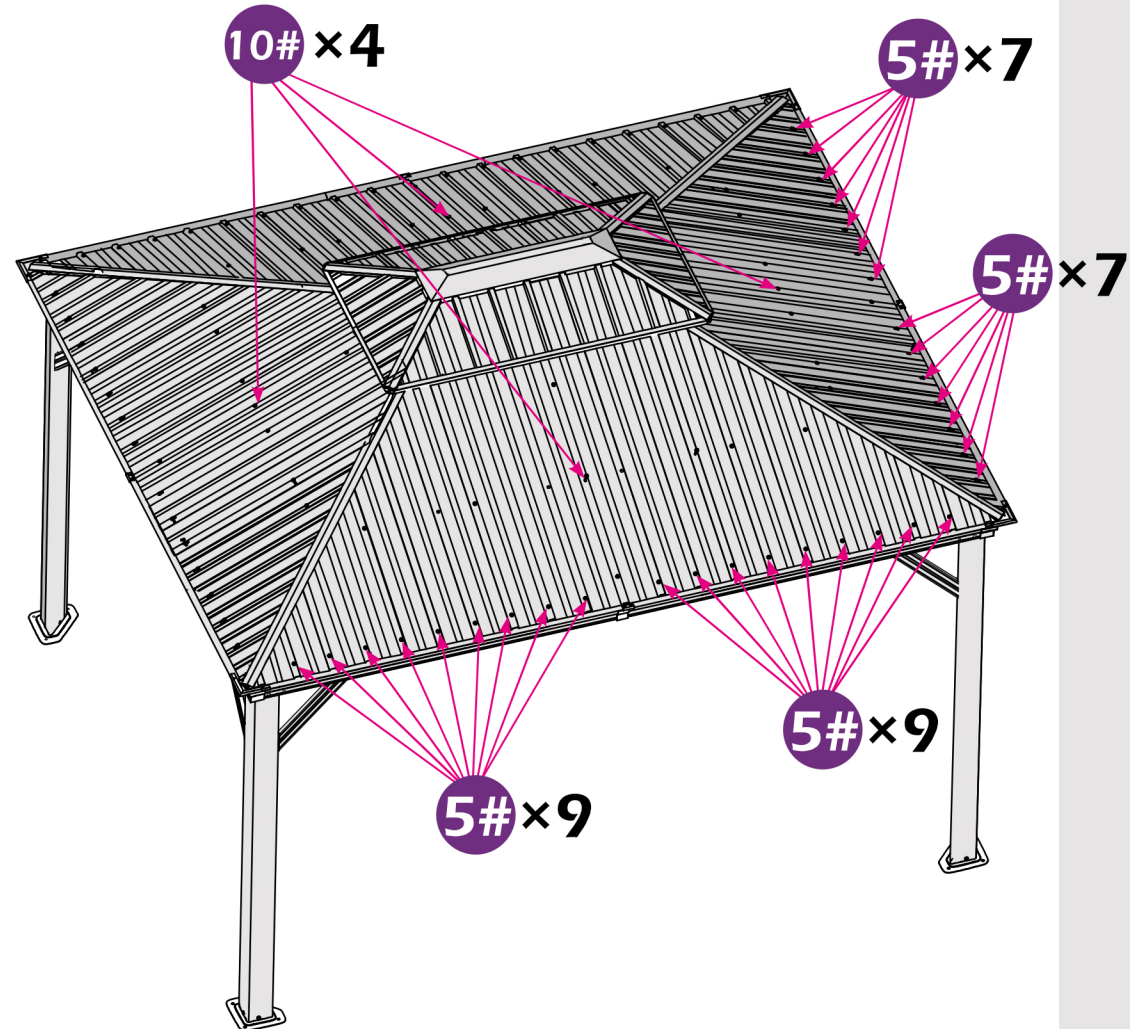
S



5#×64

S

STEP 3



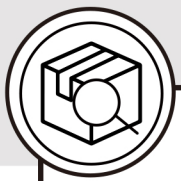
10#×4

5#×7

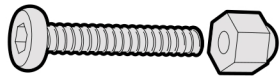
5#×7

5#×9

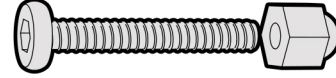
5#×9



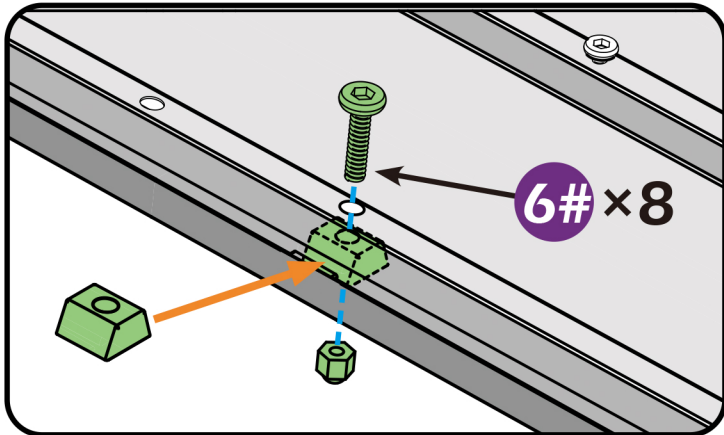
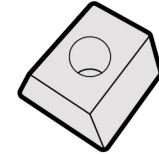
6#×8



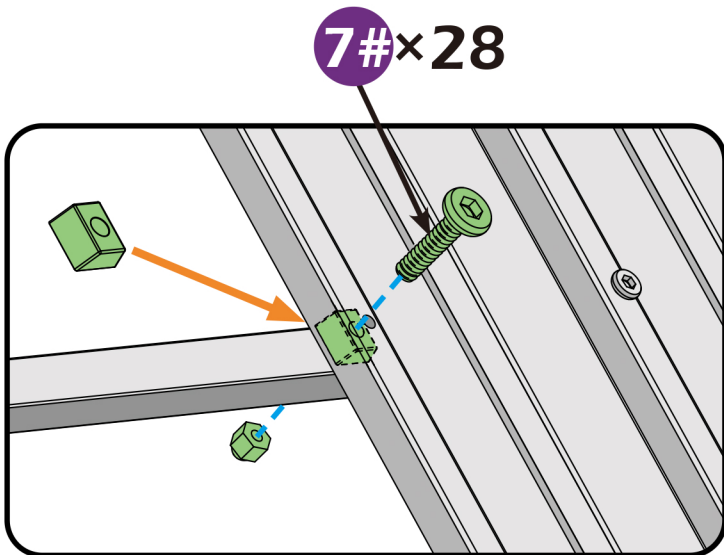
7#×28



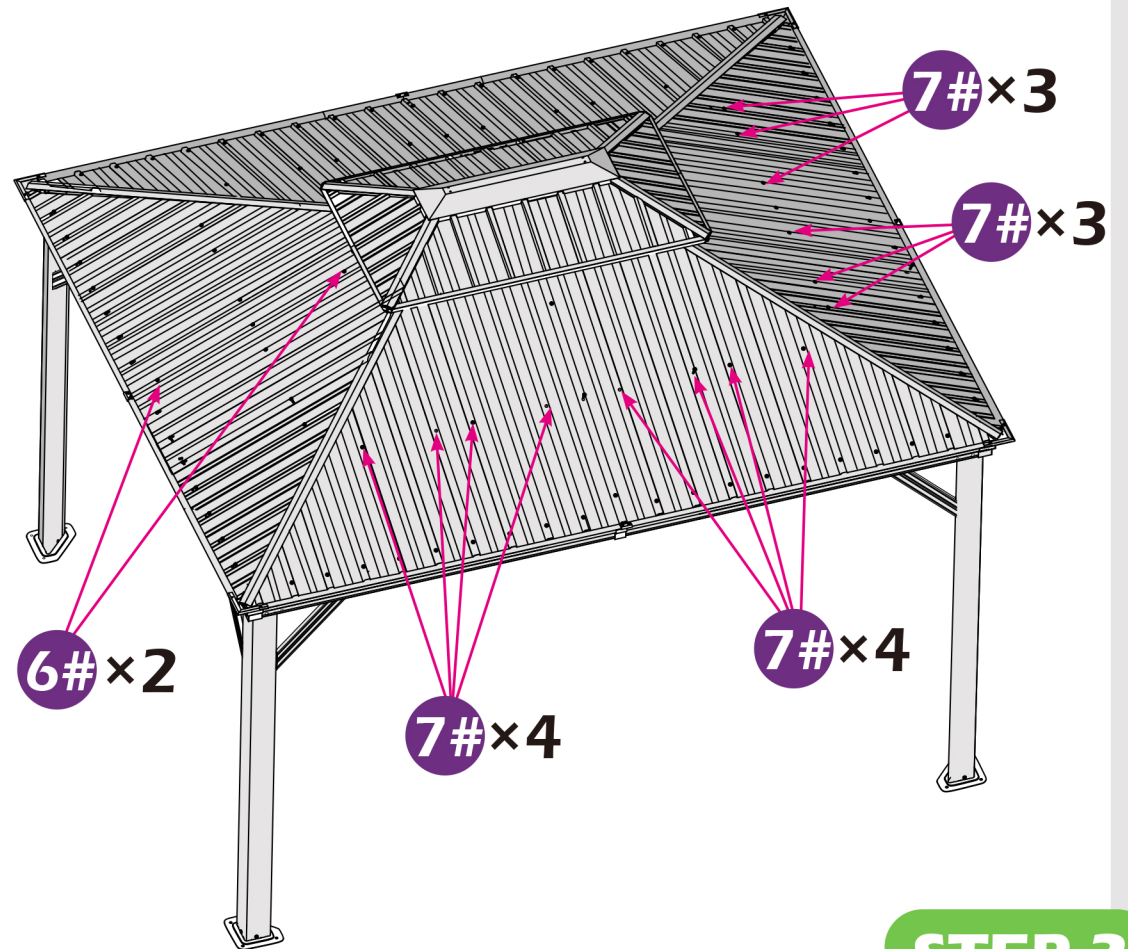
S×36



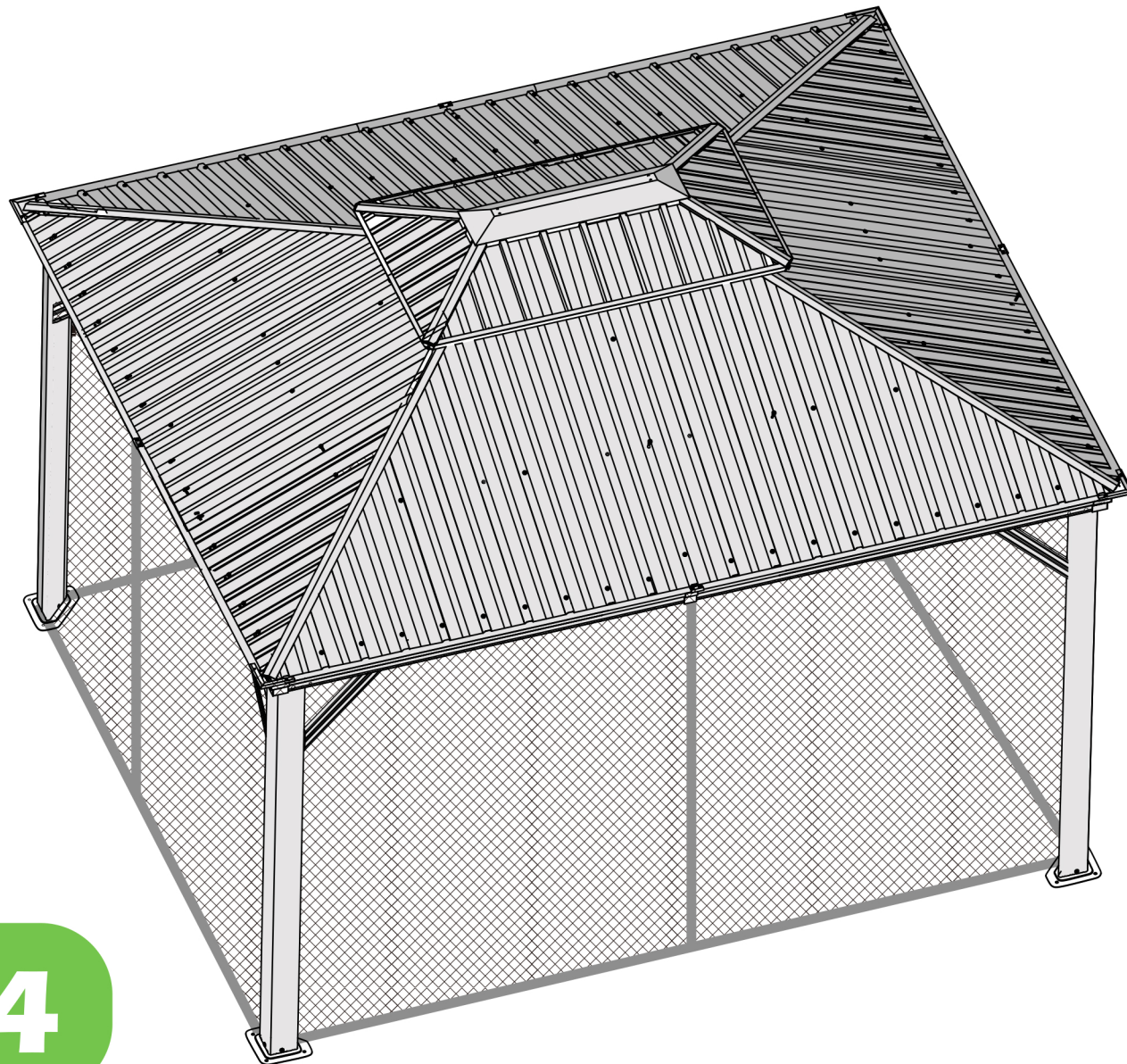
6#×8



7#×28



STEP 3



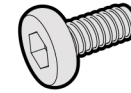
STEP 4



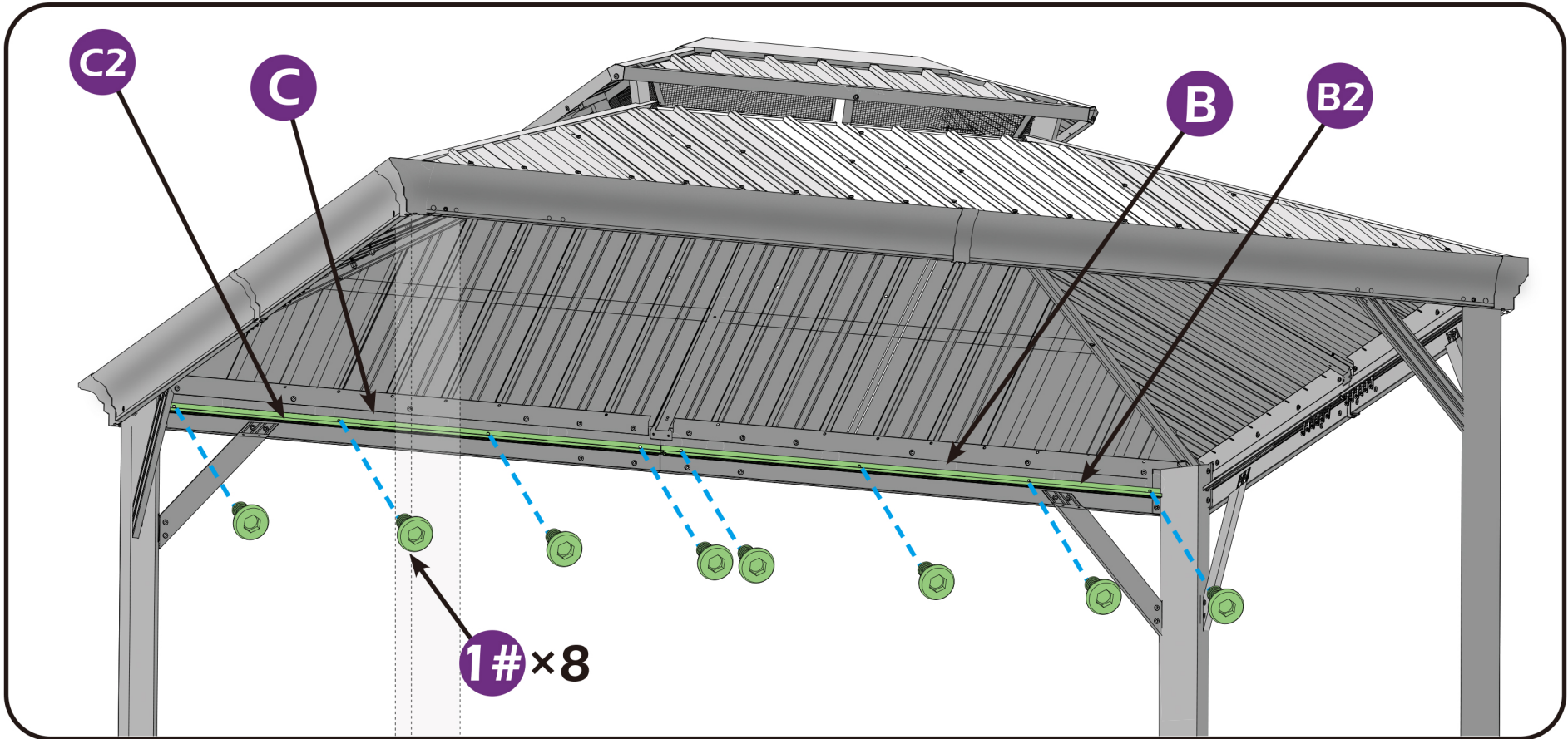
B2 × 2



1# × 16



C2 × 2



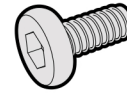
STEP 4



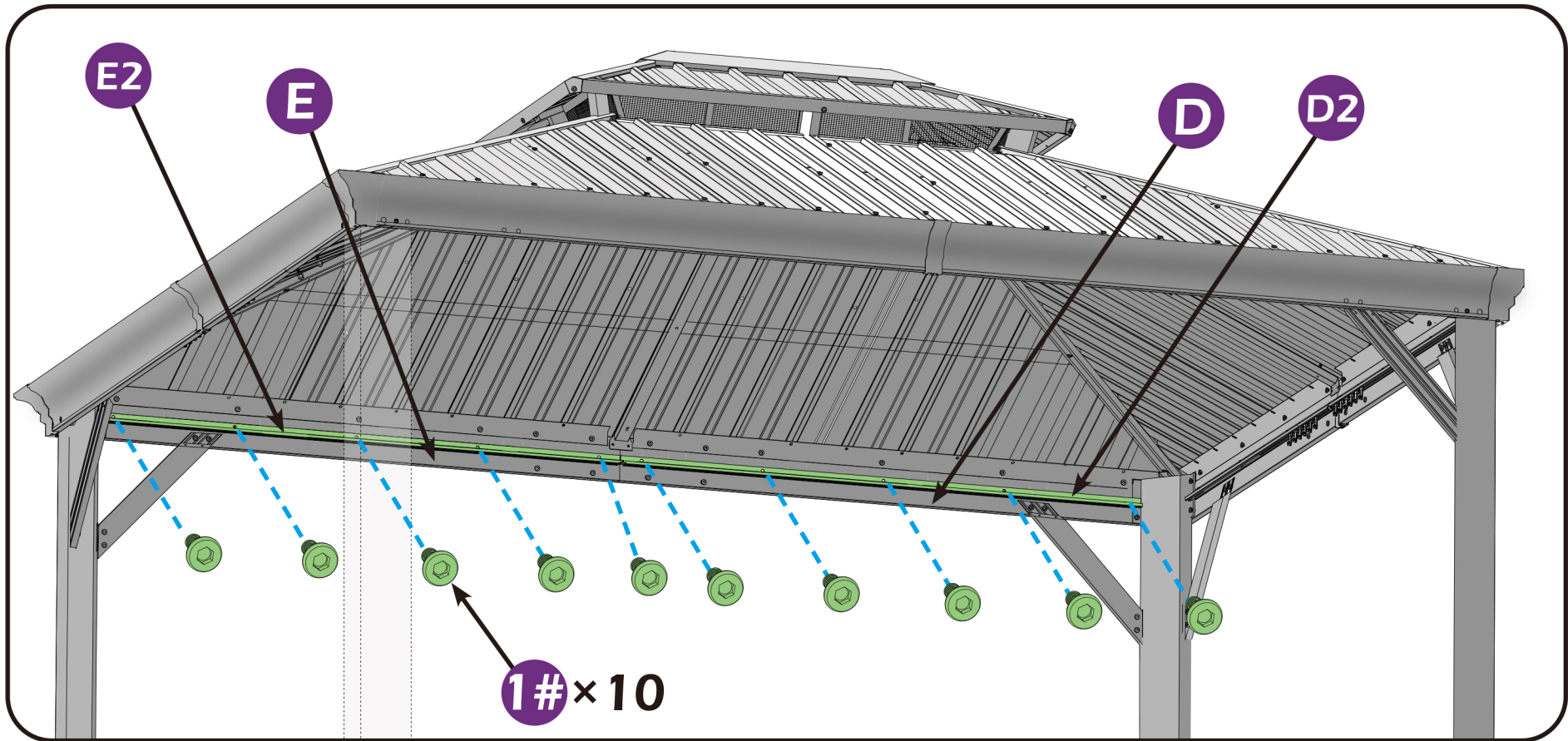
D2 × 2



1# × 20



E2 × 2



STEP 4

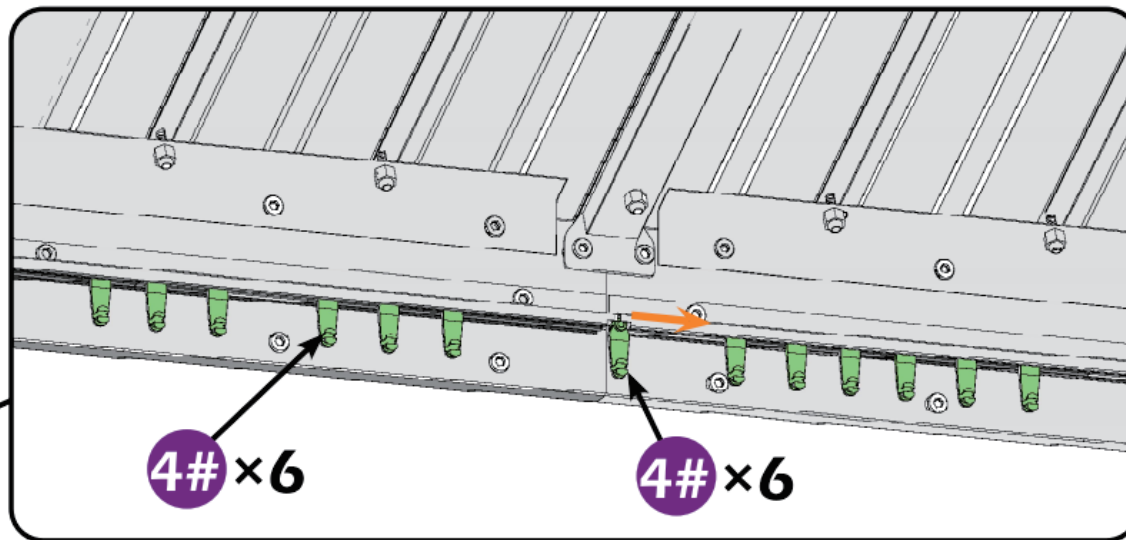
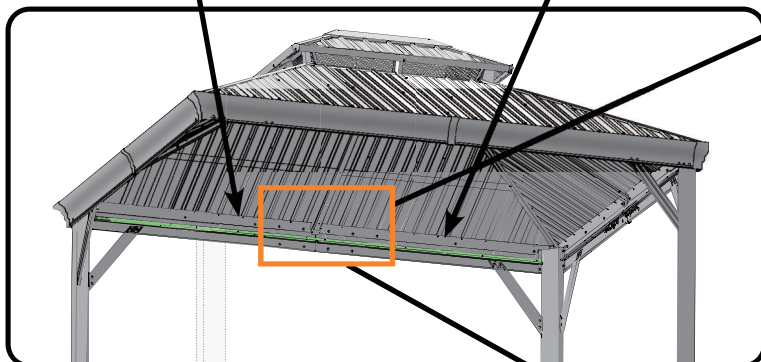


4#×48



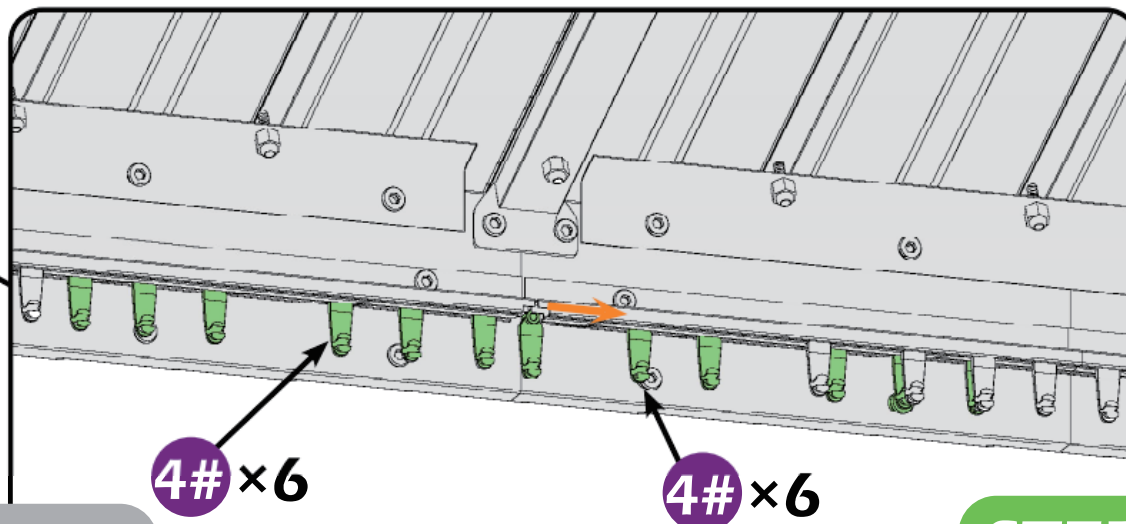
C

B



4#×6

4#×6



4#×6

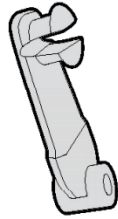
4#×6

Here are two rails for curtains and netting.

STEP 4

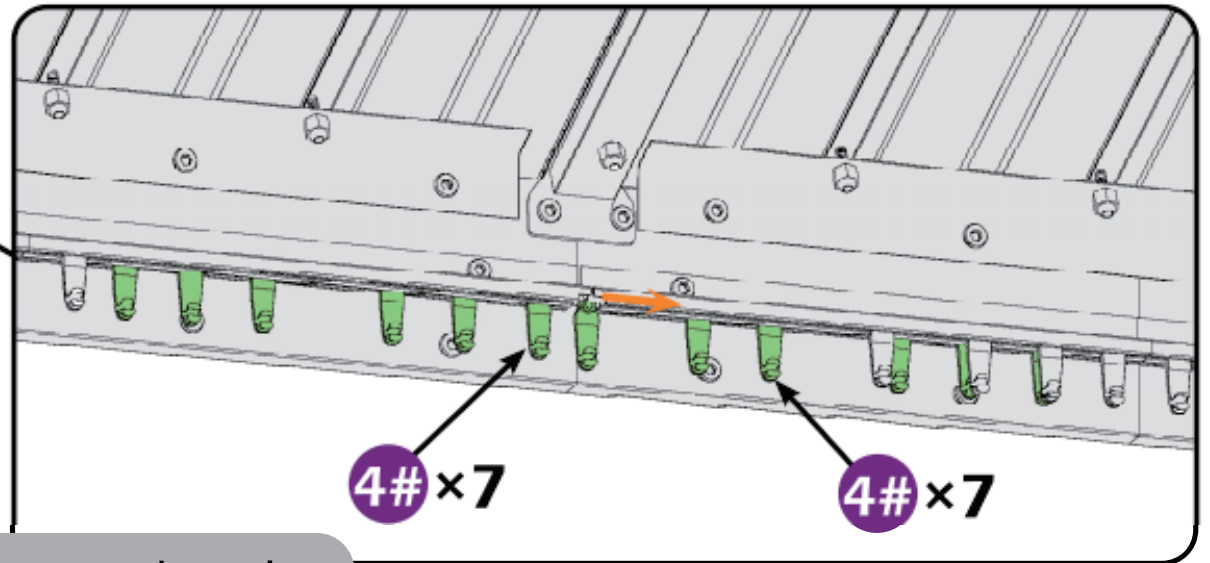
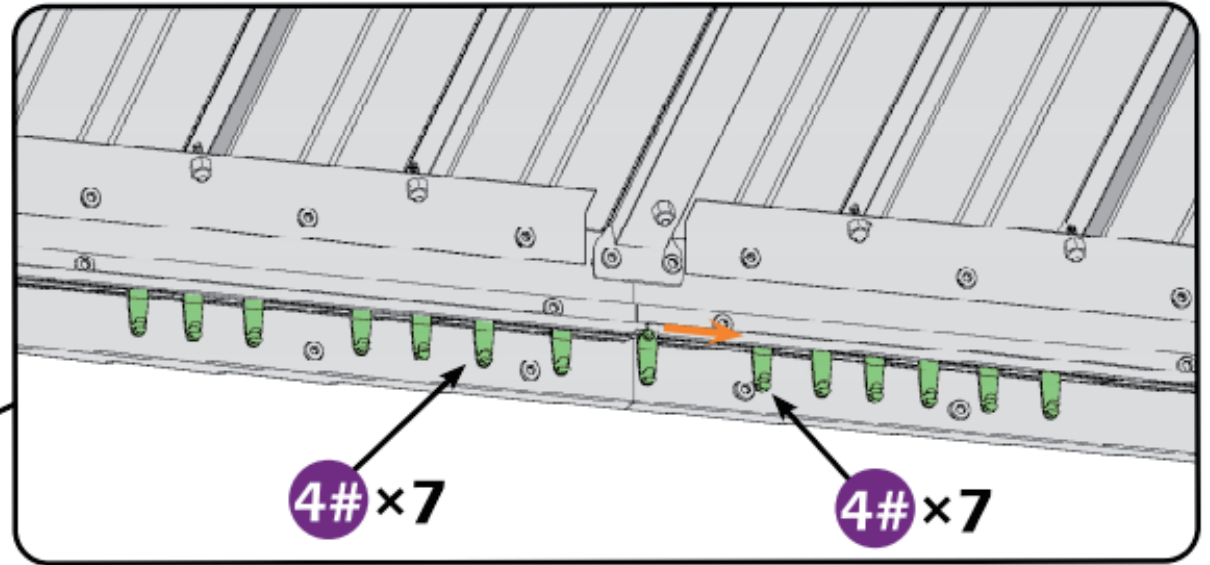
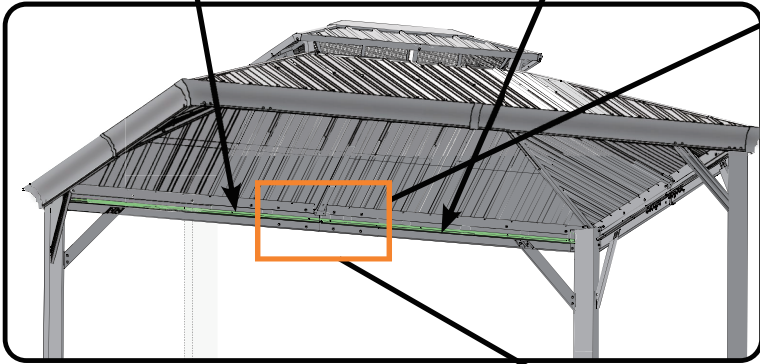


4#×56



E

D

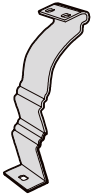


STEP 4

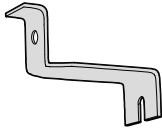
Here are two rails for curtains and netting.



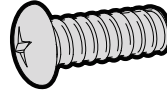
H×4



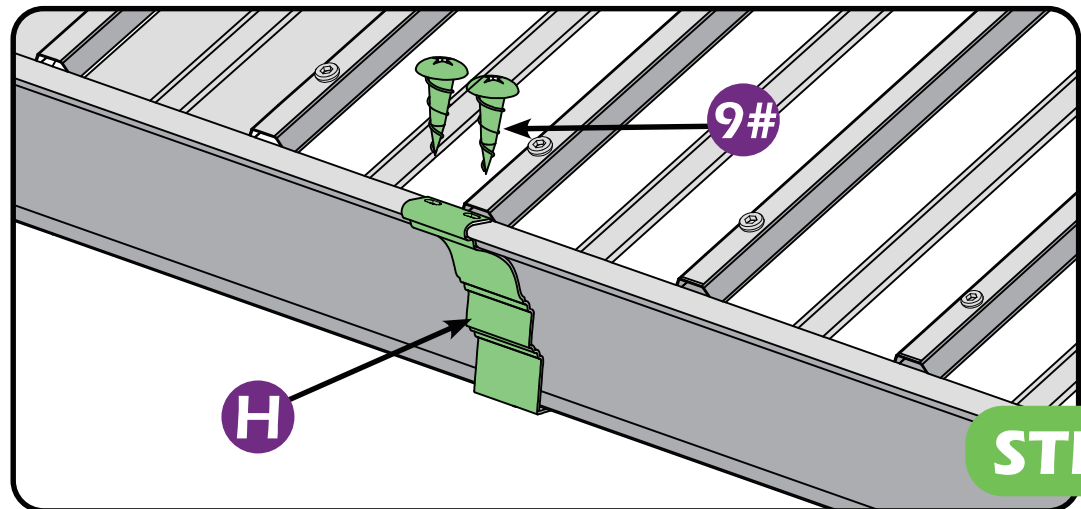
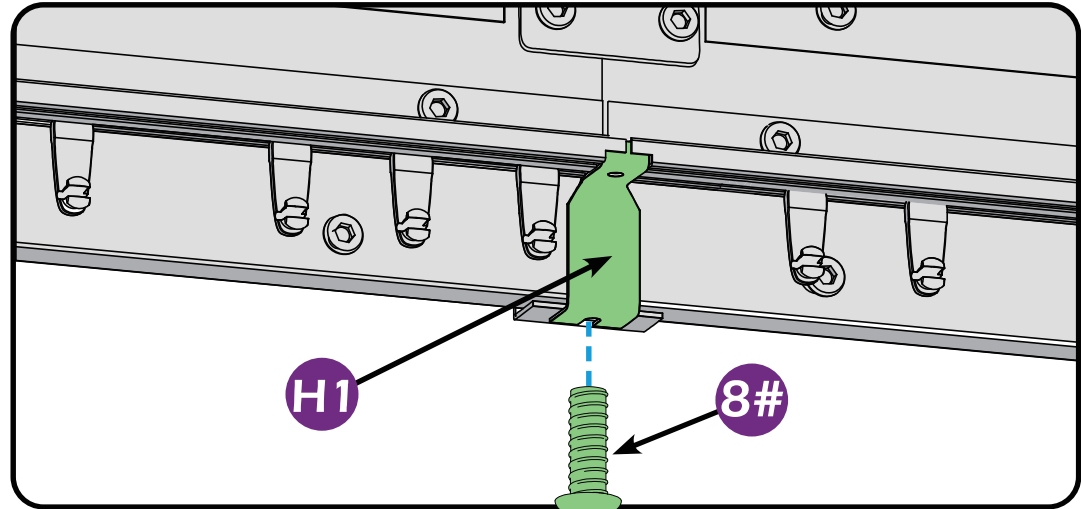
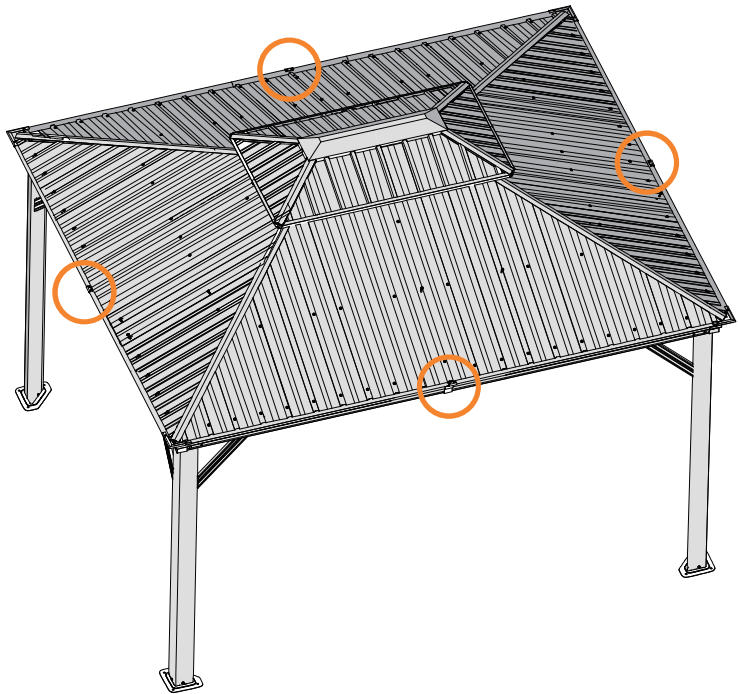
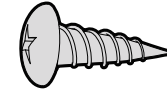
H1×4



8#×4



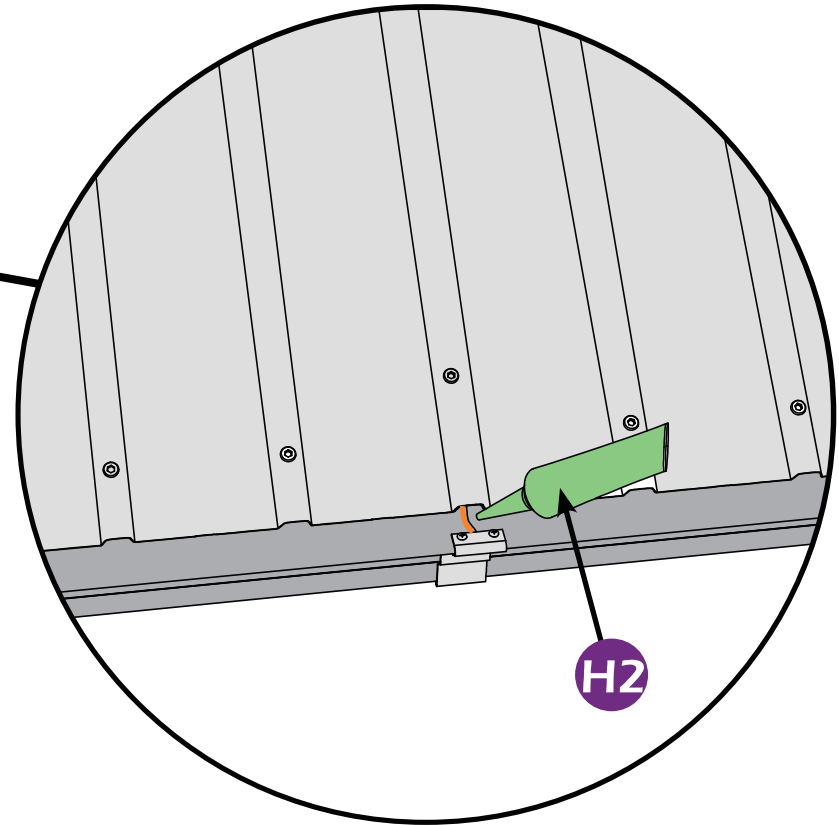
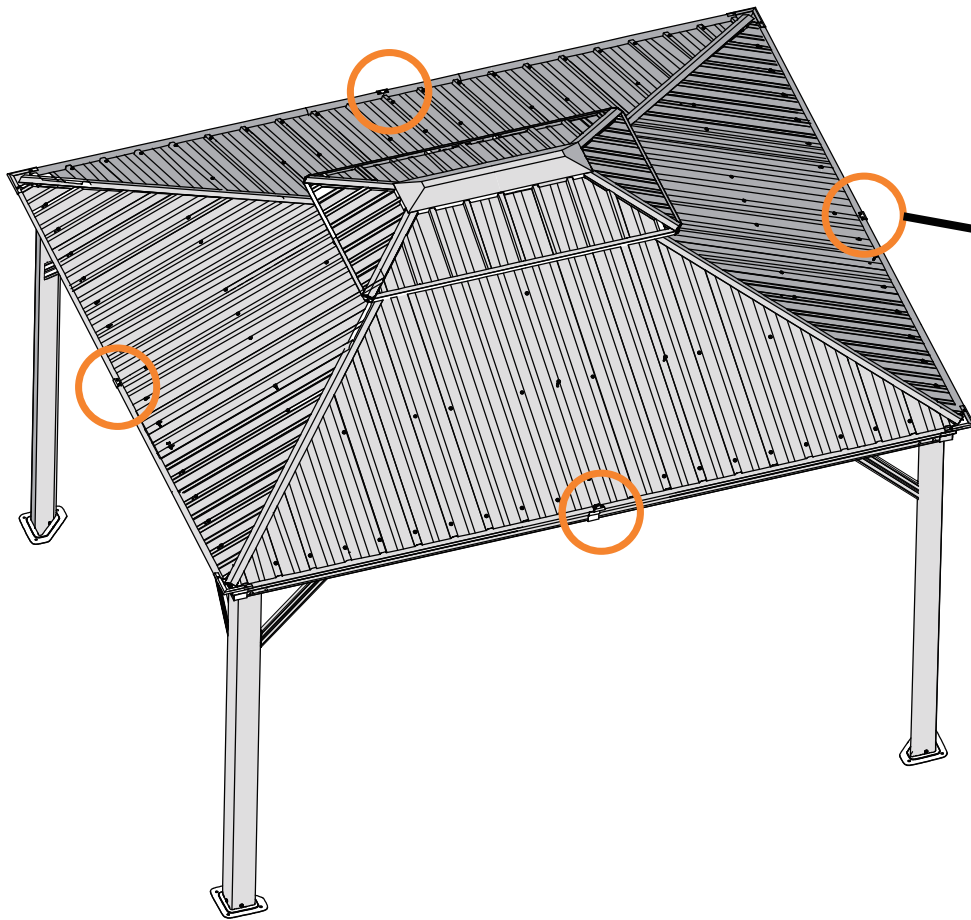
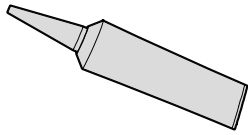
9#×8



STEP 4



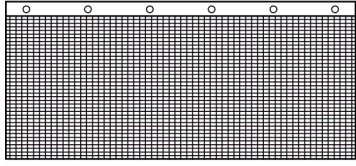
H2 × 1



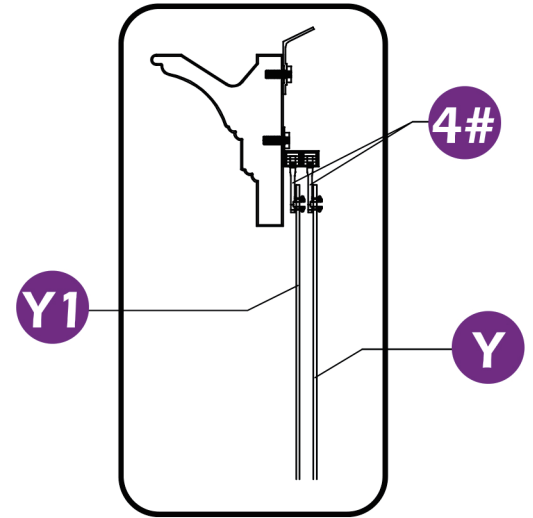
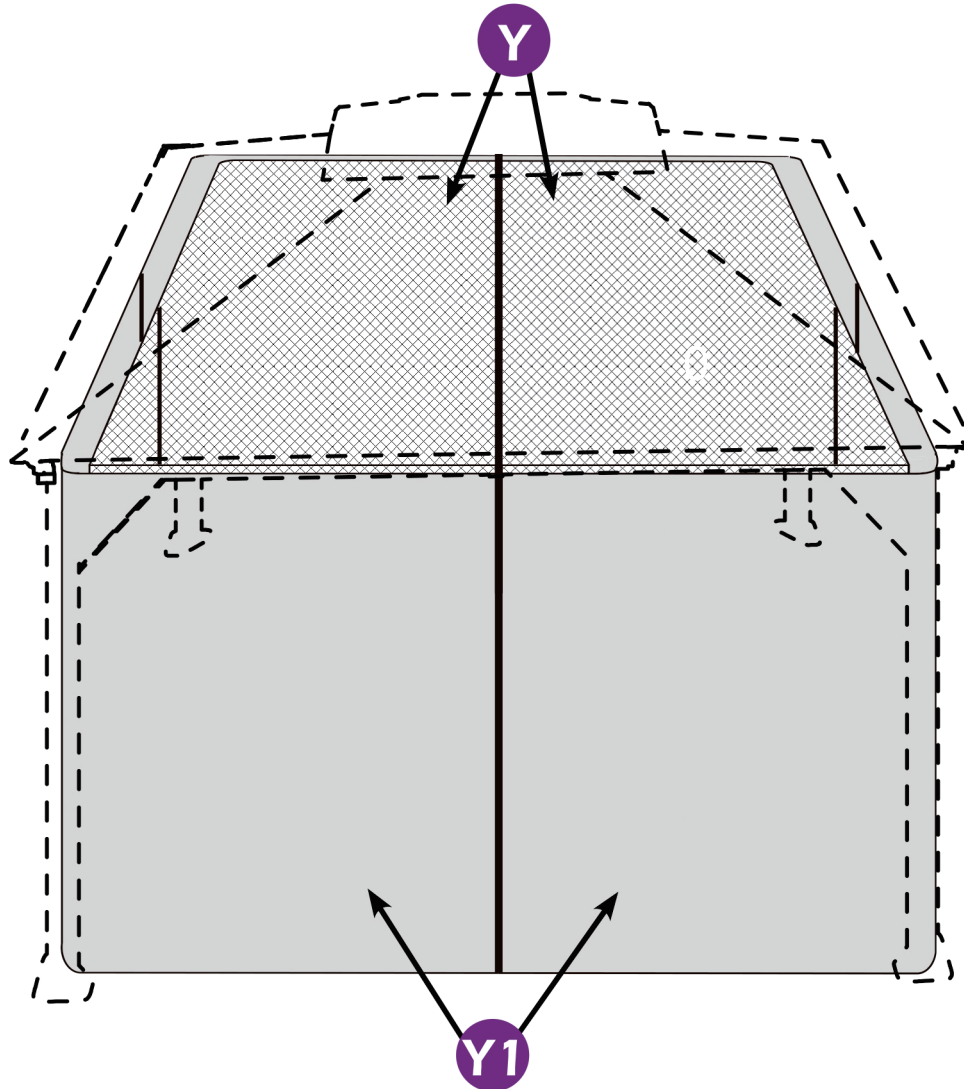
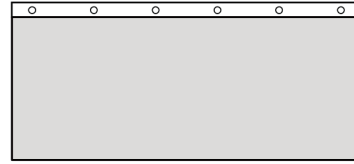
STEP 4



Y × 4

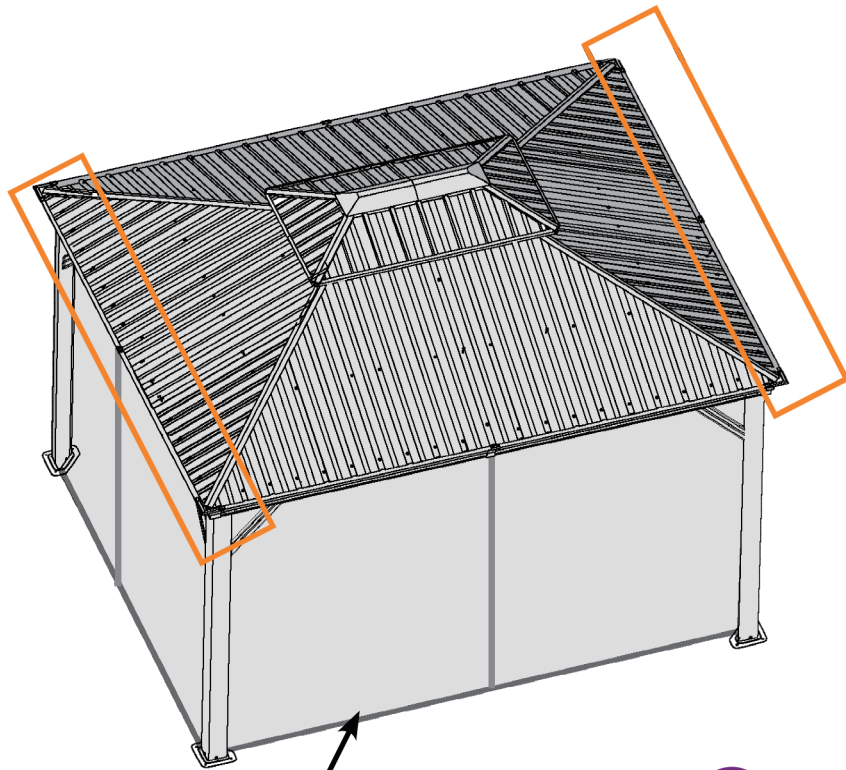


Y1 × 4

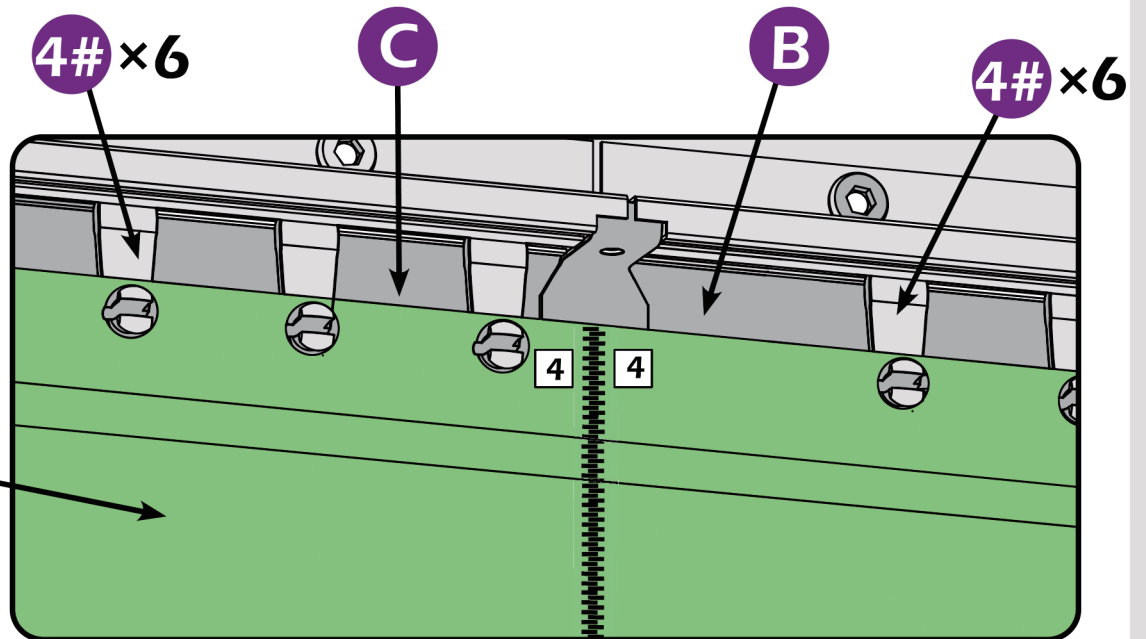
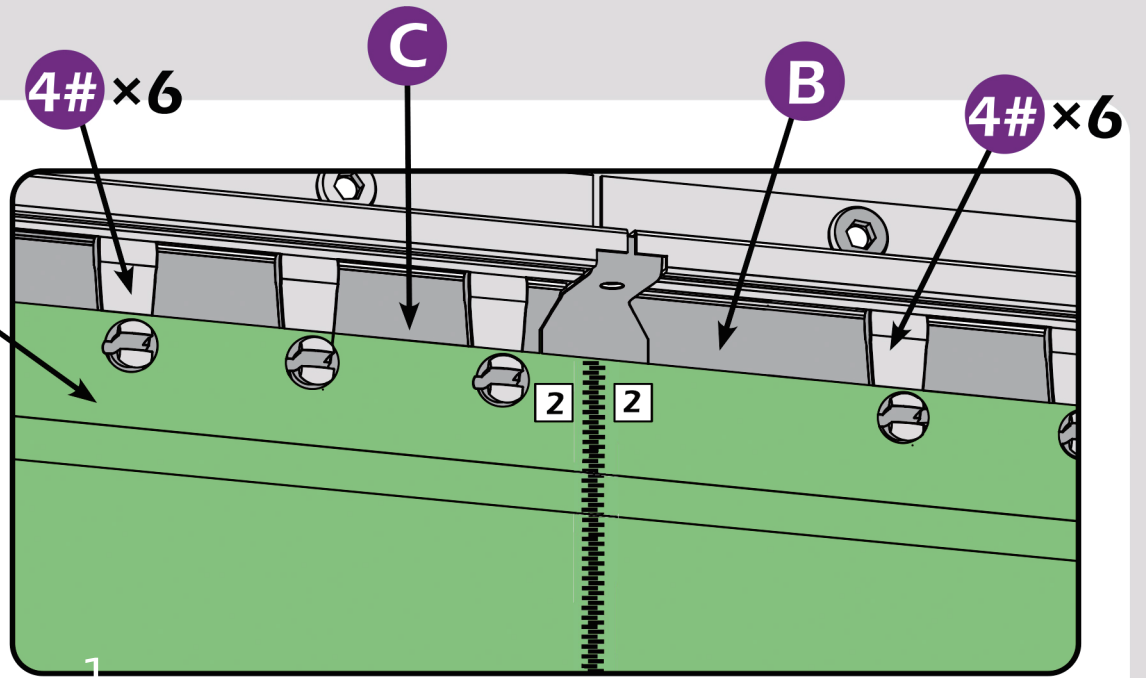


STEP 4

There are 12 hooks in width(6 in each side).



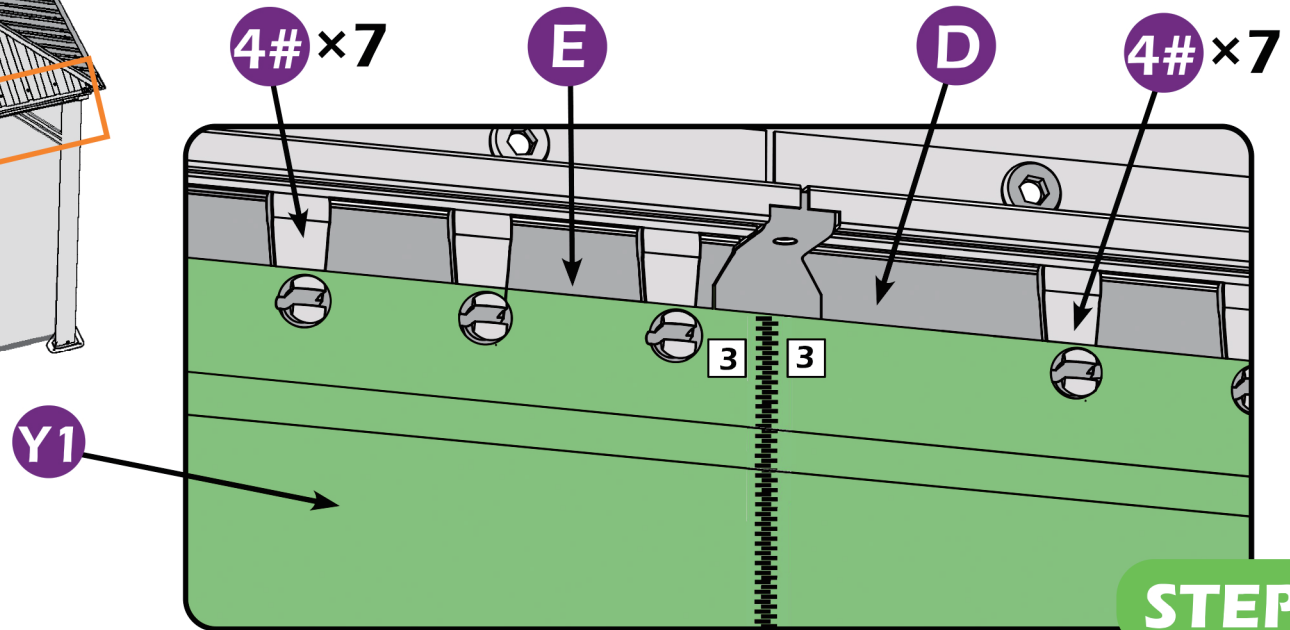
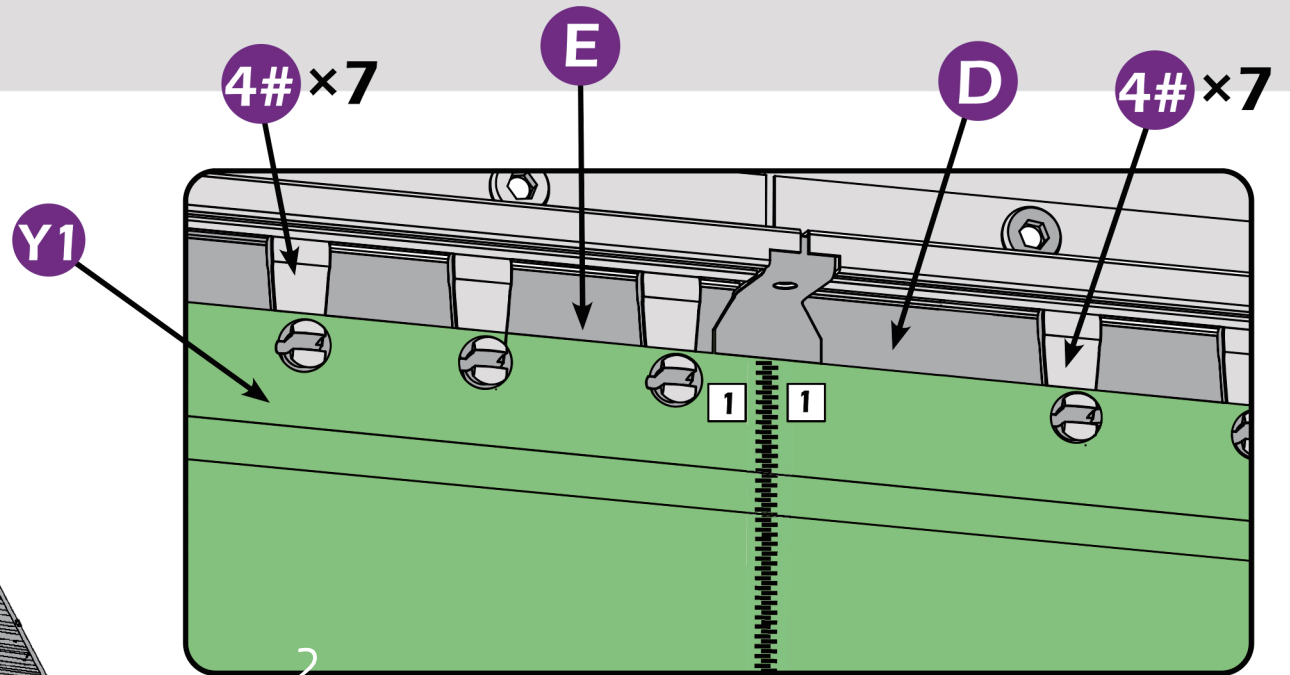
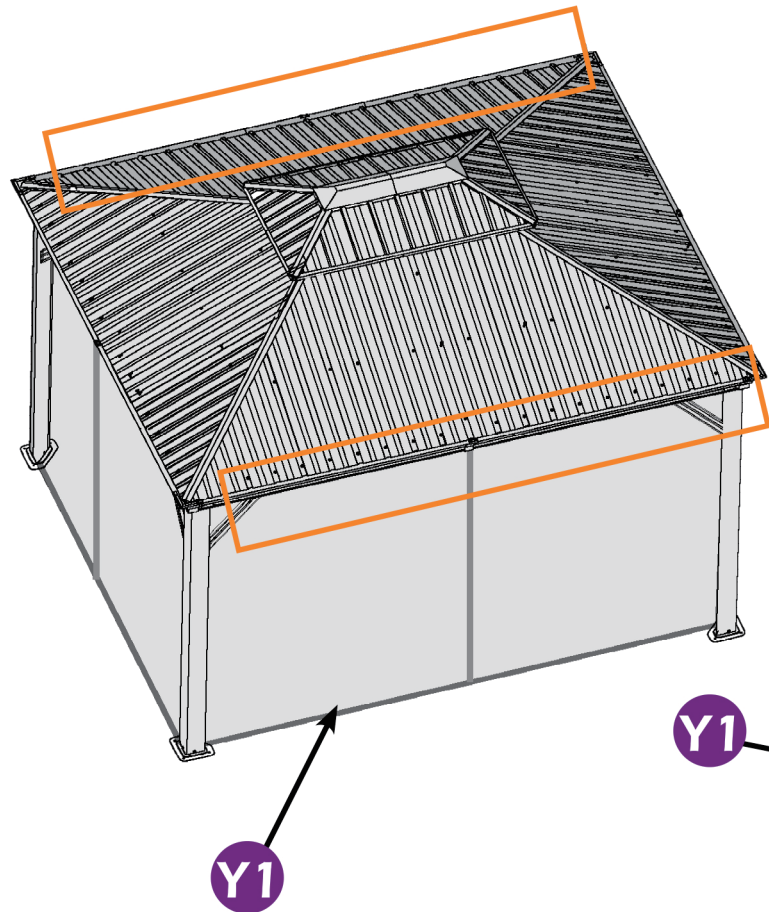
Y1



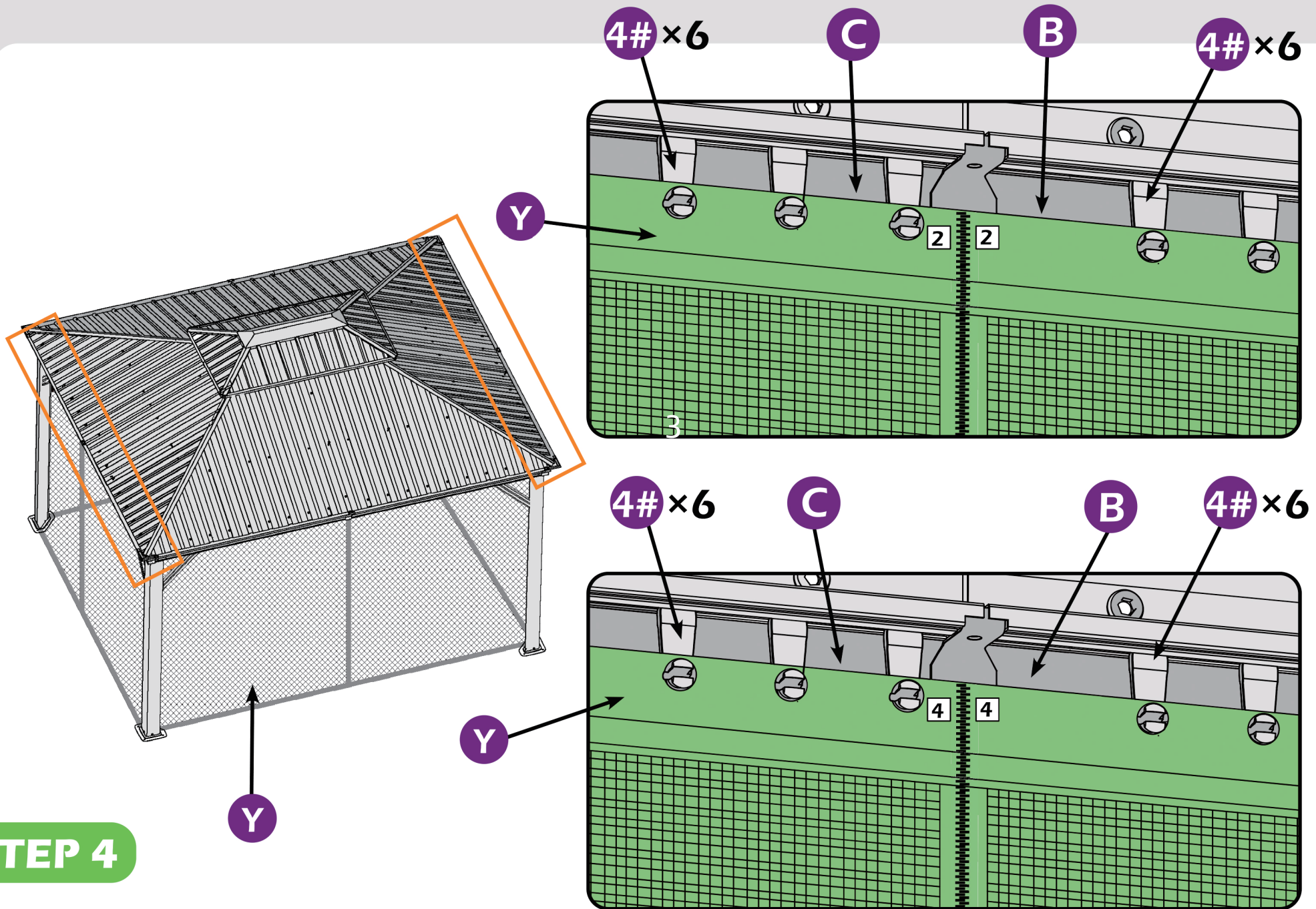
Y1

STEP 4

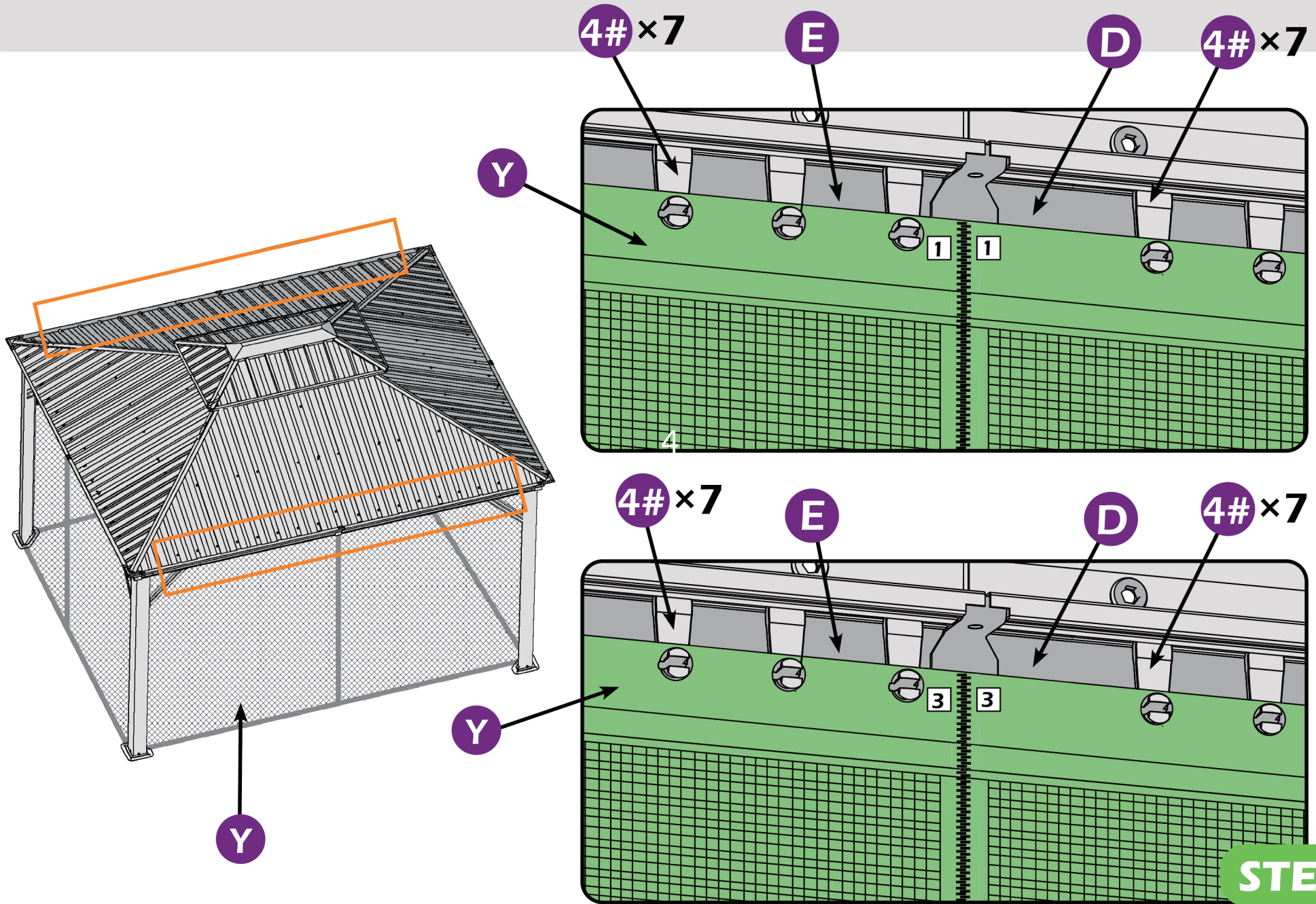
There are 14 hooks in length(7 in each side).



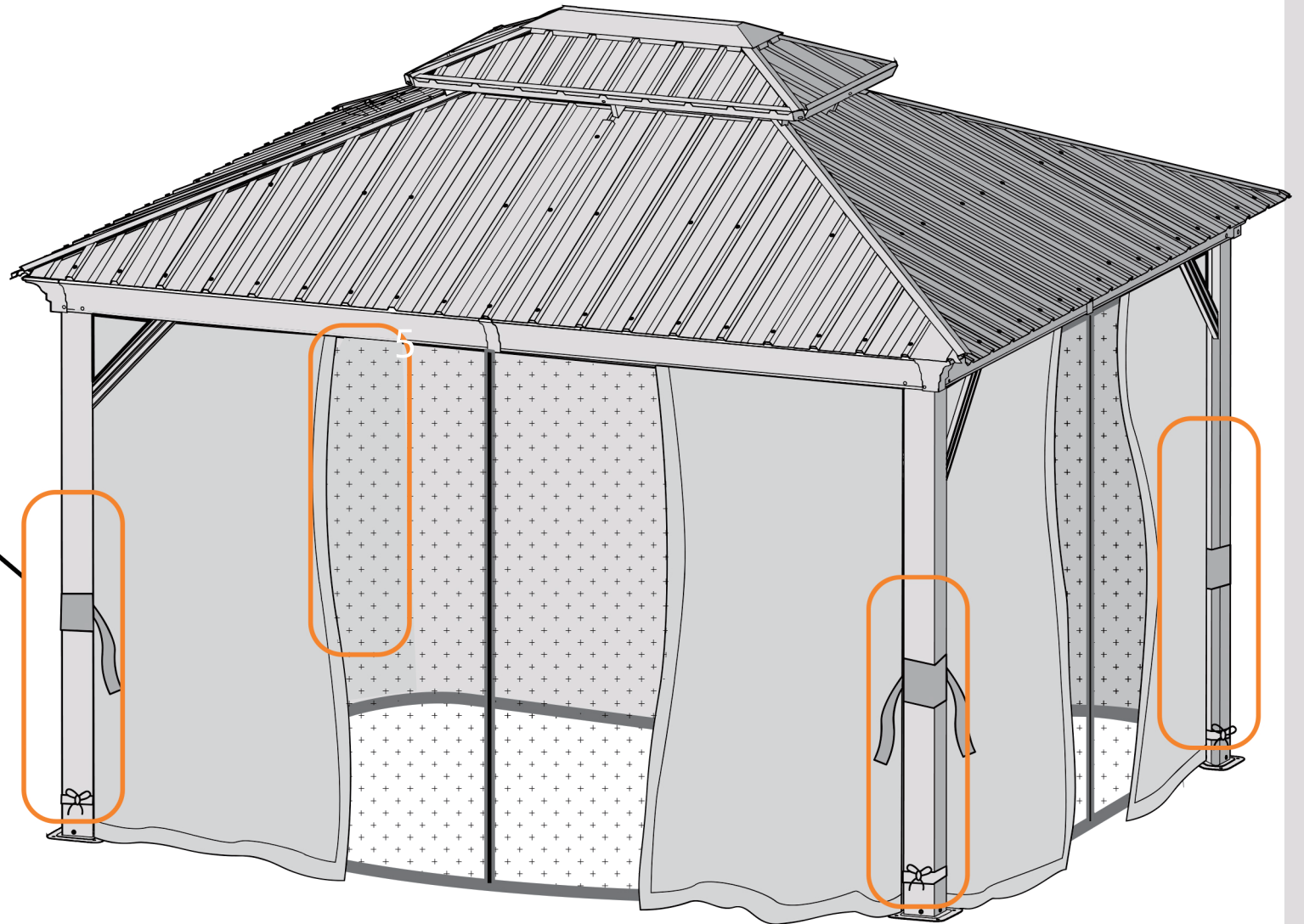
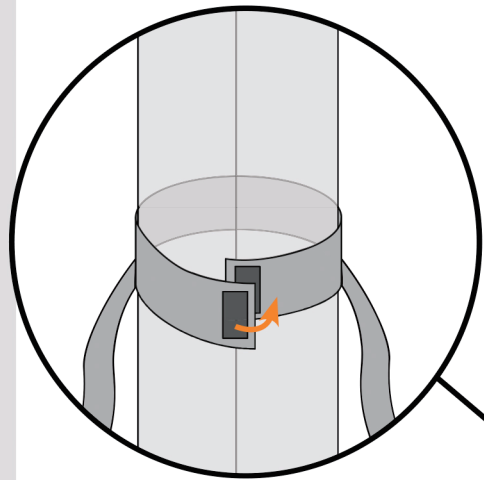
STEP 4



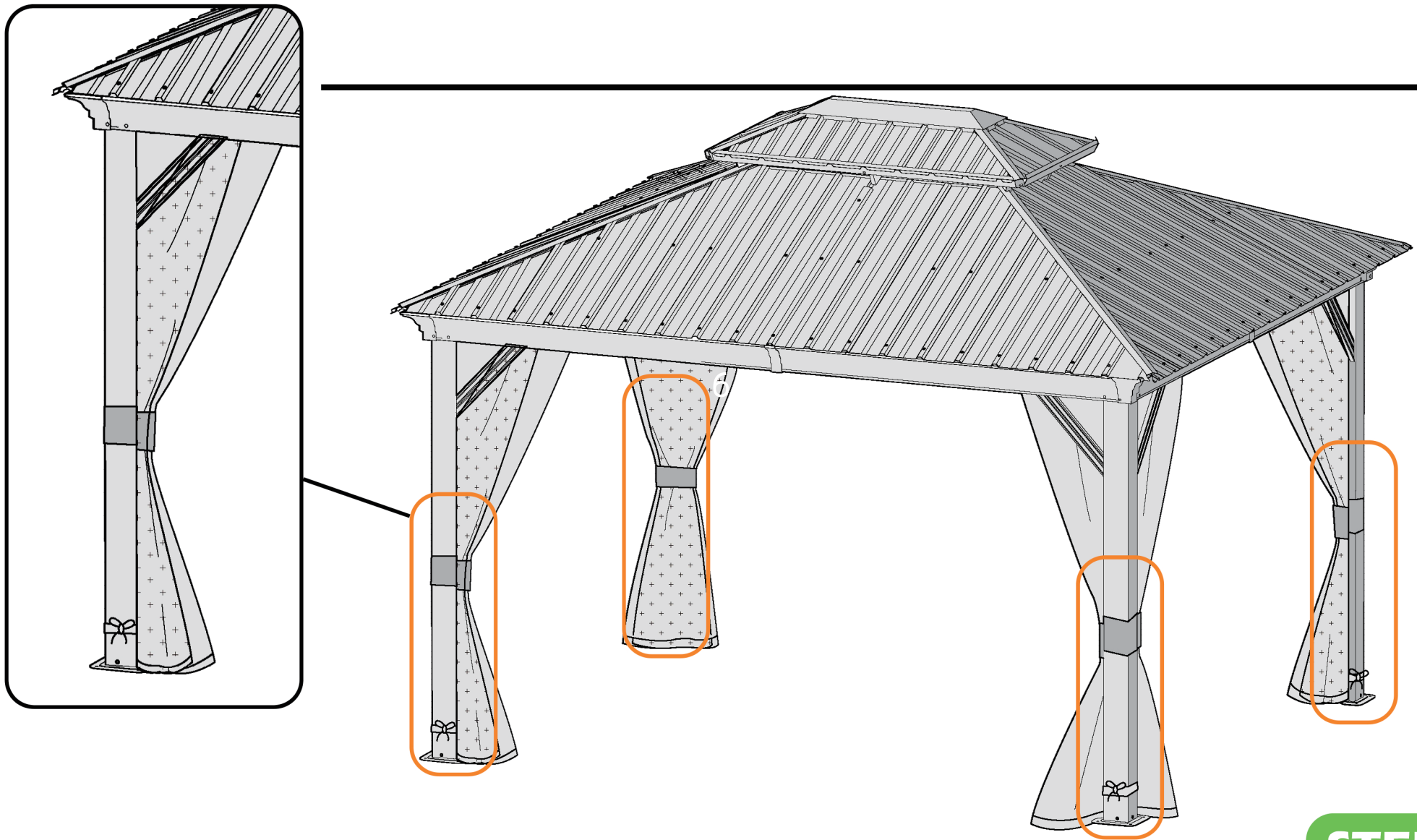
STEP 4



STEP 4



STEP 4



STEP 4

Care and Cleaning

Wash frame parts and fabric with mild soap and water, rinse thoroughly.

Dry frame completely and allow the fabric to drip dry.

Do not use bleach, acid, or other solvents on the fabric or frame parts.

Please inspect and tighten all bolts or fasteners on a regular basis to ensure proper performance and safety of your gazebo.