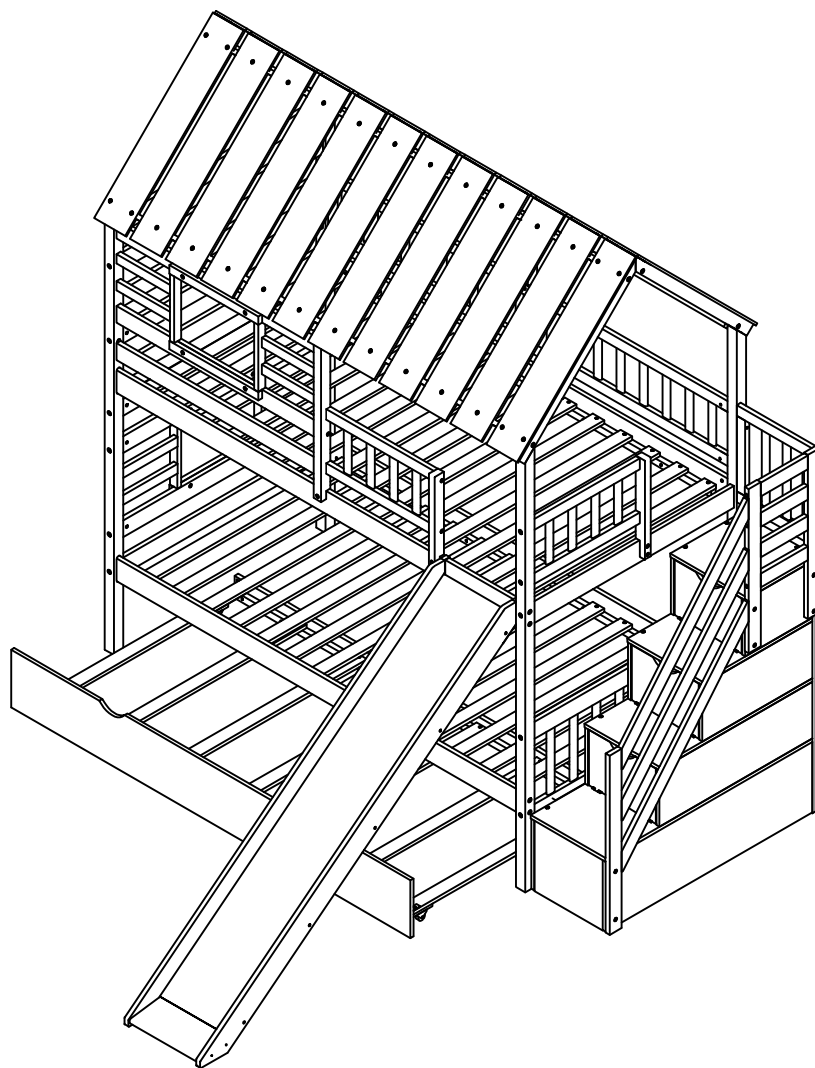


# ASSEMBLY INSTRUCTIONS

## TWIN HOUSE BUNK BED WITH STAIRCASE



## SAFETY WARNINGS AND GENERAL NOTES:

Follow the information on the warnings on the bunk bed end structure and on the carton. Do not remove the warning label from the bed. Always use the recommended size mattress on mattress support, or both, to help prevent the likelihood of entrapment or falls.

The top surface of the mattress must be at least 5\*inch (127mm) below the upper edge of the guardrail.

Do not allow children under 6 years of age to use the upper bunk.

Periodically check and ensure the guardrail, ladder and other components are in their proper position, free from damage, and all connectors are tight.

Do not allow horseplay on or under beds.

Always prohibit jumping on the bed.

Prohibit more than one person on upper bunk.

Always use the ladder for entering and leaving the upper bunk.

Do not use substitute parts. Contact the manufacturer or dealer for replacement parts.

Use of a night-light may provide added safety precaution for a child using the upper bunk.

Always use guardrails on both long sides of the upper bunk.

If the bunk bed will be placed next to a wall, the guardrail that runs the full length of the bed should be placed against the wall to prevent entrapment between the bed and the wall.

The use of water or sleep flotation mattresses is prohibited.

**STRANGULATION HAZARD**-Never attach or hang items to any part of the bunk bed that are not designed for use with the bed.

Keep these instructions for future reference.

We recommend assembling your bunk bed on the shipping carton to protect your floor or carpet.

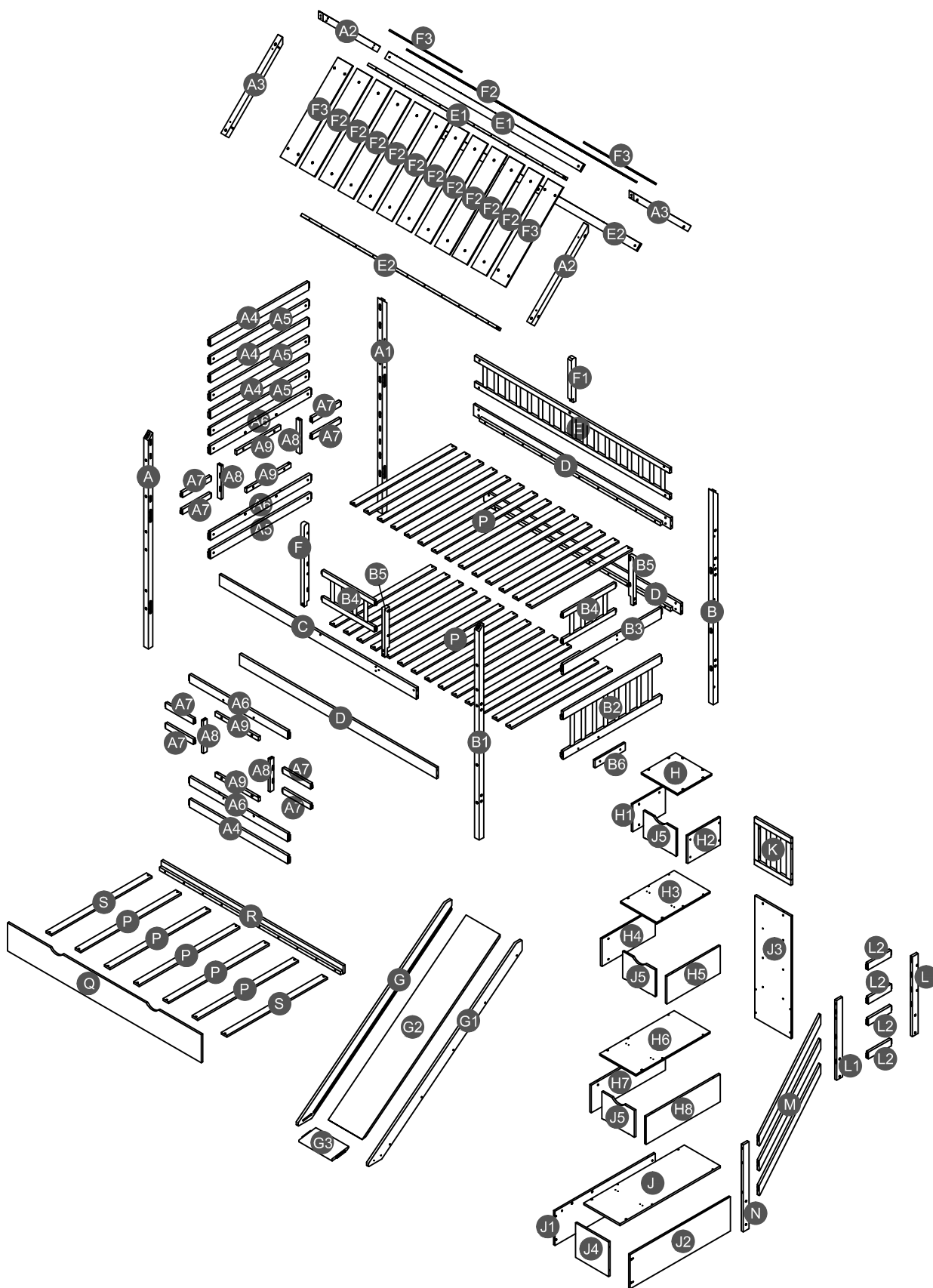
Be certain all staples are out of the box before beginning assembly on the shipping carton.

**THIS BED IS DESIGNED TO USE A TWIN MATTRESSES 38 1/2" WIDE X 74"-75" LONG WITH THE TOTAL THICKNESS NOT EXCEEDING 6" FOR UPPER BUNK, FOR THE LOWER TWINL-SIZE SHOULD BE 38 1/2" WIDE X 74"-75" LONG, WIDE WITH 8" THICKNESS.**

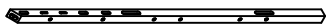

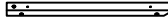
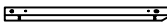
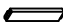

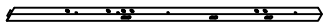
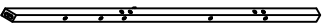


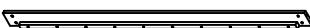
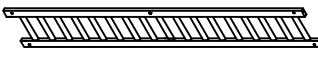
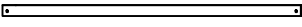





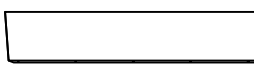


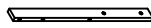


**SURFACE OF MATTRESS MUST BE AT LEAST 5" (127MM) BELOW THE UPPER EDGE OF GUARDRAILS.**

Replacement Parts:


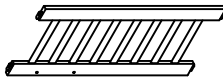
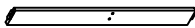
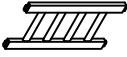
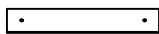
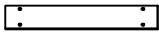
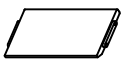

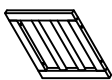
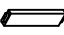
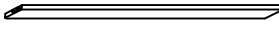

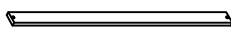
# Detail View



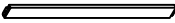
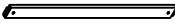
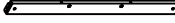
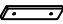
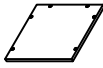
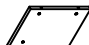


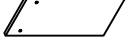

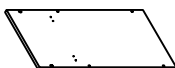
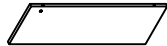

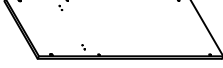

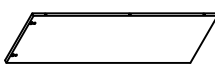
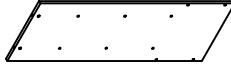

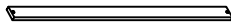
# Part List

<p><b>A</b></p>  <p>Leg HB (Left Front) - 1pc</p>	<p><b>A1</b></p>  <p>Leg HB (Left Back) - 1pc</p>	<p><b>A2</b></p>  <p>Upper (Left Back/Right Front) - 2pcs</p>
<p><b>A3</b></p>  <p>Upper (Left Front/Right Back) - 2pcs</p>	<p><b>A7</b></p>  <p>Horizontal bar - 8pcs</p>	<p><b>A9</b></p>  <p>Horizontal bar - 4pcs</p>
<p><b>B</b></p>  <p>Leg FB (Right Back) - 1pc</p>	<p><b>B1</b></p>  <p>Leg FB (Right Front) - 1pc</p>	<p><b>B5</b></p>  <p>Vertical guard rail - 2pcs</p>
<p><b>C</b></p>  <p>Upper side rail (Front) - 1pc</p>	<p><b>D</b></p>  <p>Side rail - 3pcs</p>	<p><b>E</b></p>  <p>Upper guard rail (Back) - 1pc</p>
<p><b>E1</b></p>  <p>Upper horizontal bar - 2pcs</p>	<p><b>E2</b></p>  <p>Upper horizontal bar - 2pcs</p>	<p><b>F</b></p>  <p>Support (Front) - 1pc</p>
<p><b>F1</b></p>  <p>Support (Back) - 1pc</p>	<p><b>G</b></p>  <p>Left side ladder - 1pc</p>	<p><b>G1</b></p>  <p>Right side ladder - 1pc</p>
<p><b>G2</b></p>  <p>Slide panel - 1pc</p>	<p><b>L</b></p>  <p>Vertical bar (Back) - 1pc</p>	<p><b>L1</b></p>  <p>Vertical bar (Divider) - 1pc</p>
<p><b>N</b></p>  <p>Vertical bar (Front) - 1pc</p>	<p><b>Q</b></p>  <p>Front panel of Trundle - 1pc</p>	<p><b>R</b></p>  <p>Back panel side rail of Trundle - 1pc</p>


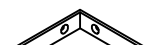
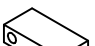
# Part List

<p><b>A8</b></p>  <p>Vertical bar - 4pcs</p>	<p><b>B2</b></p>  <p>Lower frame FB - 1pc</p>	<p><b>B3</b></p>  <p>Horizontal bar FB - 1pc</p>
<p><b>B4</b></p>  <p>Upper frame - 2pcs</p>	<p><b>F2</b></p>  <p>Top panel - 20pcs</p>	<p><b>F3</b></p>  <p>Top panel - 4pcs</p>
<p><b>G3</b></p>  <p>Slide base support -1pc</p>	<p><b>J5</b></p>  <p>Front panel - 3pcs</p>	<p><b>K</b></p>  <p>Upper frame (Back) - 1pc</p>
<p><b>L2</b></p>  <p>Horizontal bar - 4pcs</p>	<p><b>M</b></p>  <p>Horizontal bar - 3pcs</p>	<p><b>P</b></p>  <p>Slat - 19pcs</p>
<p><b>S</b></p>  <p>Slat - 2pcs</p>		

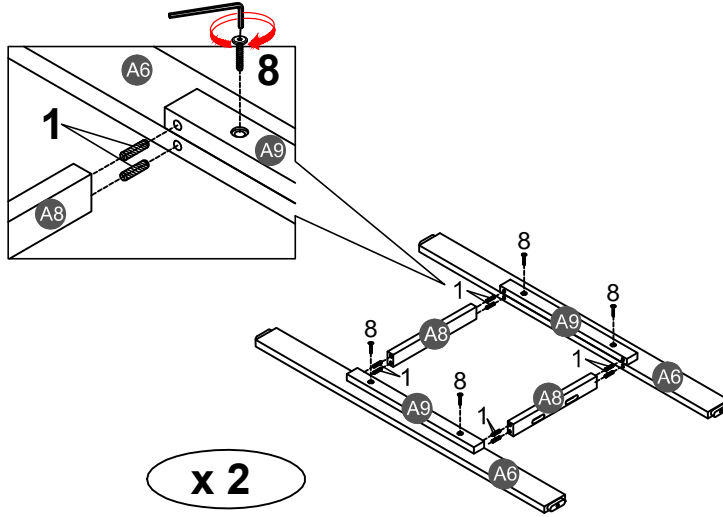
# Part List

<b>A4</b>  Horizontal bar - 4pcs	<b>A5</b>  Horizontal bar HB - 4pcs	<b>A6</b>  Horizontal bar - 4pcs
<b>B6</b>  Support panel - 1pc	<b>H</b>  Upper step ladder panel -1pc	<b>H1</b>  Upper left side panel - 1pc
<b>H2</b>  Upper right side panel - 1pc	<b>H3</b>  Upper center step ladder panel -1pc	<b>H4</b>  Upper center left side panel - 1pc
<b>H5</b>  Upper center right side panel - 1pc	<b>H6</b>  Lower center step ladder panel -1pc	<b>H7</b>  Lower center left side panel - 1pc
<b>H8</b>  Lower center right side panel - 1pc	<b>J</b>  Lower step ladder panel -1pc	<b>J1</b>  Lower left side panel - 1pc
<b>J2</b>  Lower right side panel - 1pc	<b>J3</b>  Back panel - 1pc	<b>J4</b>  Lower front panel - 1pc
<b>P</b>  Slat - 14pcs		

## Hardware List

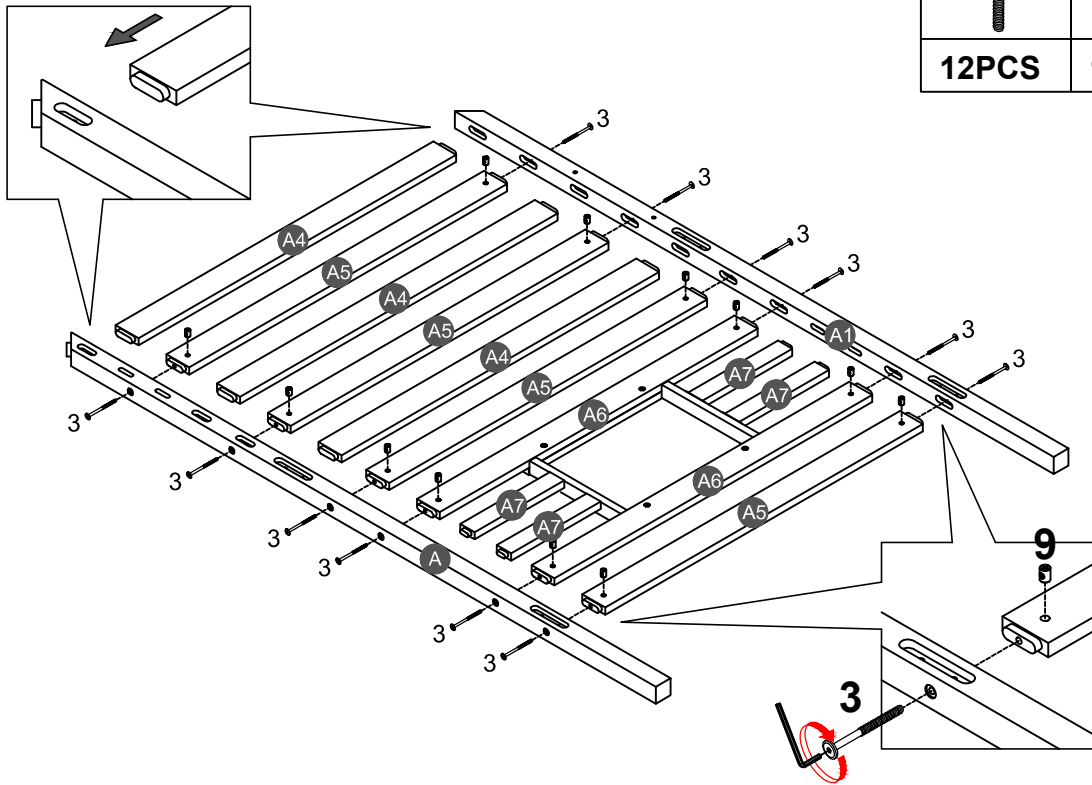
<b>1</b>  Ø8*30mm Wood dowel (44pcs)	<b>2</b>  (Ø15)1/4"*100mm Hex-Head bolts (20pcs)	<b>3</b>  (Ø15)1/4"*80mm Hex-Head bolts (37pcs)
<b>4</b>  (Ø12)1/4"*70mm Hex-Head bolts (4pcs)	<b>5</b>  (Ø12)1/4"*60mm Hex-Head bolts (24pcs)	<b>6</b>  (Ø12)1/4"*40mm Hex-Head bolts (4pcs)
<b>7</b>  (Ø12)1/4"*35mm Hex-Head bolts (6pcs)	<b>8</b>  (Ø12)1/4"*30mm Hex-Head bolts (14pcs)	<b>9</b>  1/4"*15 (9.5mm) Horizontal-Hole bolts(85pcs)
<b>10</b>  (Ø12)1/4"*65mm Hex-Head bolts (18pcs)	<b>11</b>  (Ø12)1/4"*50mm Hex-Head bolts (14pcs)	<b>12</b>  (Ø12)1/4"*40mm Hex-Head bolts (8pcs)
<b>13</b>  (Ø12)1/4"*30mm Hex-Head bolts (56pcs)	<b>14</b>  Ø4*30mm Wood screws (86pcs)	<b>15</b>  Ø3.5*15mm Wood screws (40pcs)
<b>16</b>  (1/4")4.5*58mm Allen key (1pc)	<b>17</b>  142*18*2mm Hooks (2pcs)	<b>18</b>  Ø1/4"*14mm Flat washer (14pcs)
<b>19</b>  Ø13"*3mm Spring Washer (14pcs)	<b>20</b>  42*12*1mm Metal magnet (3pcs)	<b>21</b>  45*17*13mm Door catch (3pcs)
<b>22</b>  40*18*18*1.6mm Metal bracket (2pcs)	<b>23</b>  95*95*18*3mm Metal bracket (2pcs)	<b>24</b>  100*63*20mm Wheels (4pcs)
<b>25</b>  70*35*19 mm Trundle stopper (2pcs)	<div style="display: flex; align-items: center; justify-content: center;">  <div style="border: 1px solid black; padding: 10px; text-align: center;"> <p>ASSEMBLY TOOLS REQUIRED ( NOT INCLUDED )</p>  <p>PLEASE BE CAREFUL DO NOT DAMAGE THE HOLE POSITION WHEN YOU USE POWER TOOLS !</p> </div> </div>	

**STEP 1:**



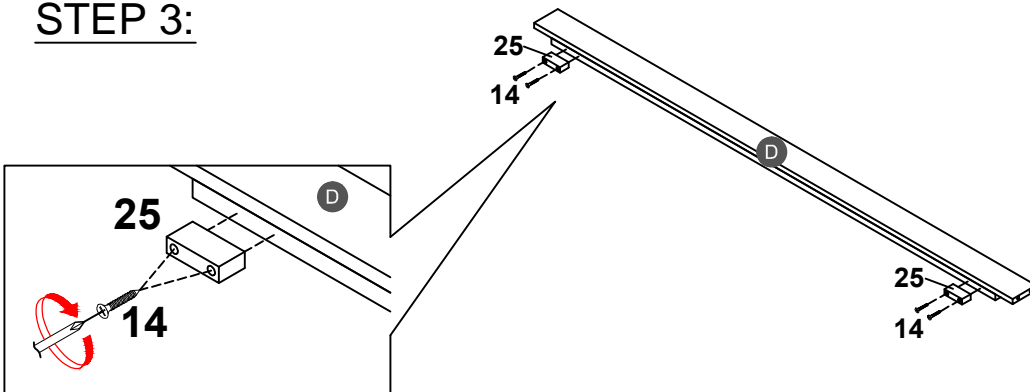
<b>1</b>		<b>8</b>	
		<b>16PCS</b>	<b>8PCS</b>

**STEP 2:**



<b>3</b>		<b>9</b>	
		<b>12PCS</b>	<b>12PCS</b>

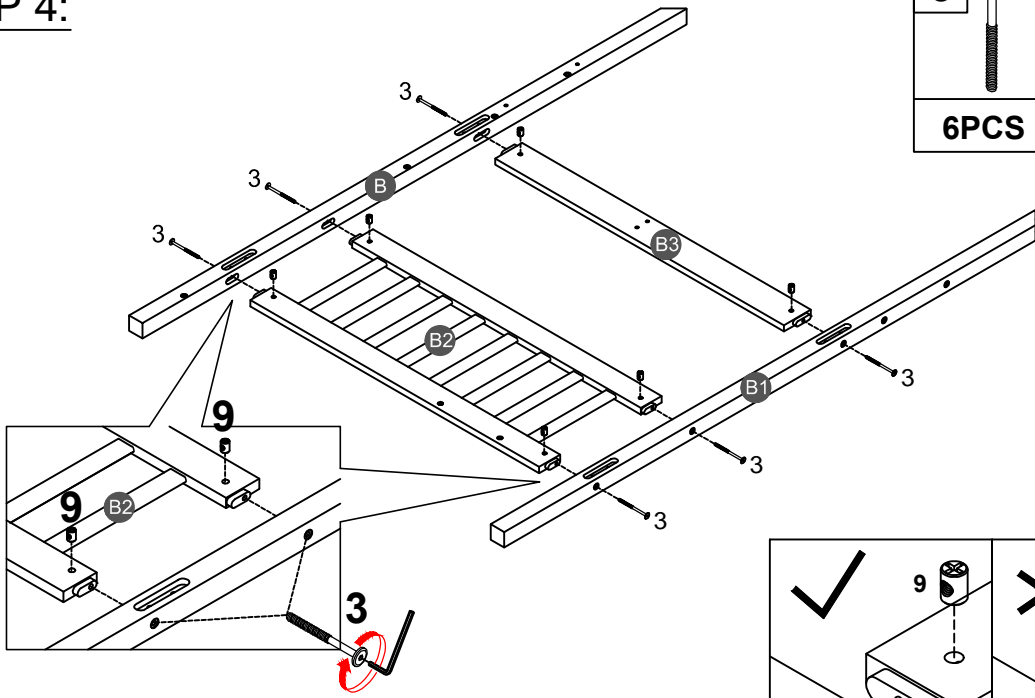
**STEP 3:**





<b>14</b>		<b>25</b>	
		<b>4PCS</b>	<b>2PCS</b>

Trundle stopper (25) with side rail (front) by using screw (14).

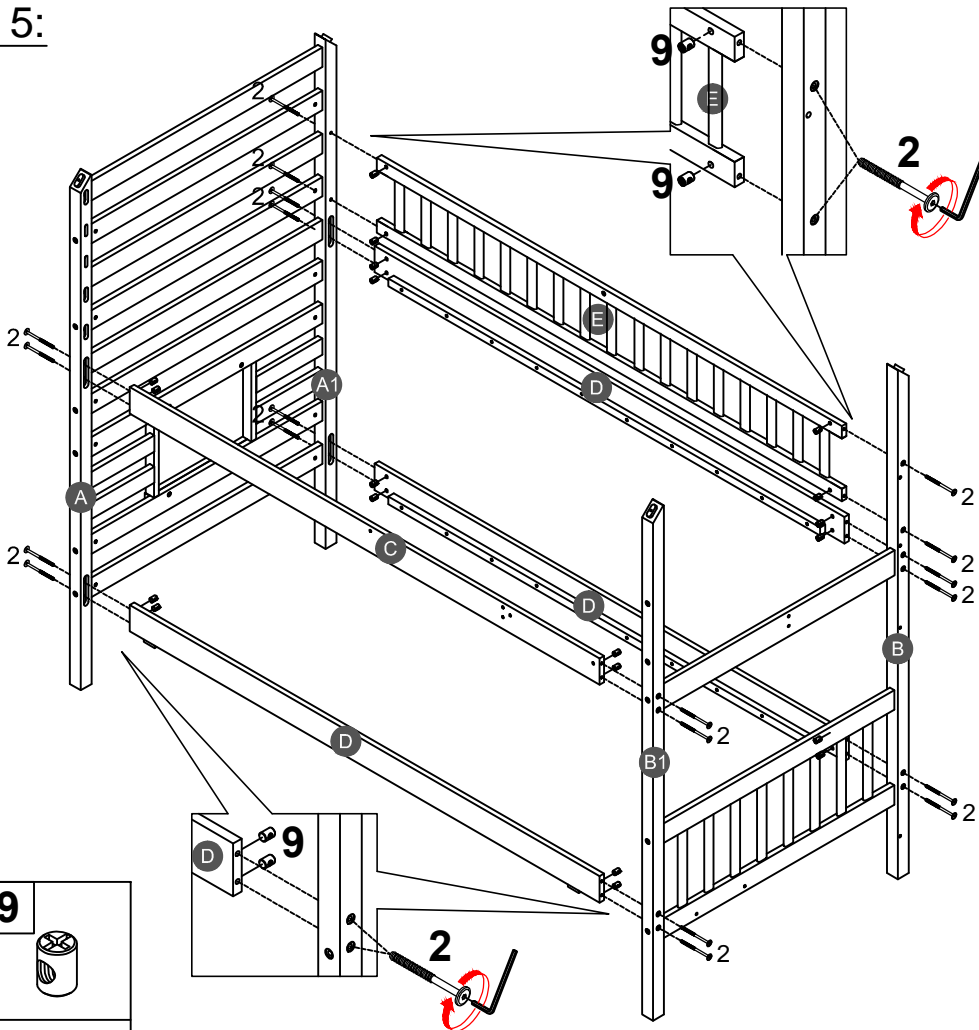
# STEP 4:





<b>3</b>		<b>9</b>	
<b>6PCS</b>		<b>6PCS</b>	





Note: Part 9 will face up with the "x" mark on it, otherwise it cannot be tightened

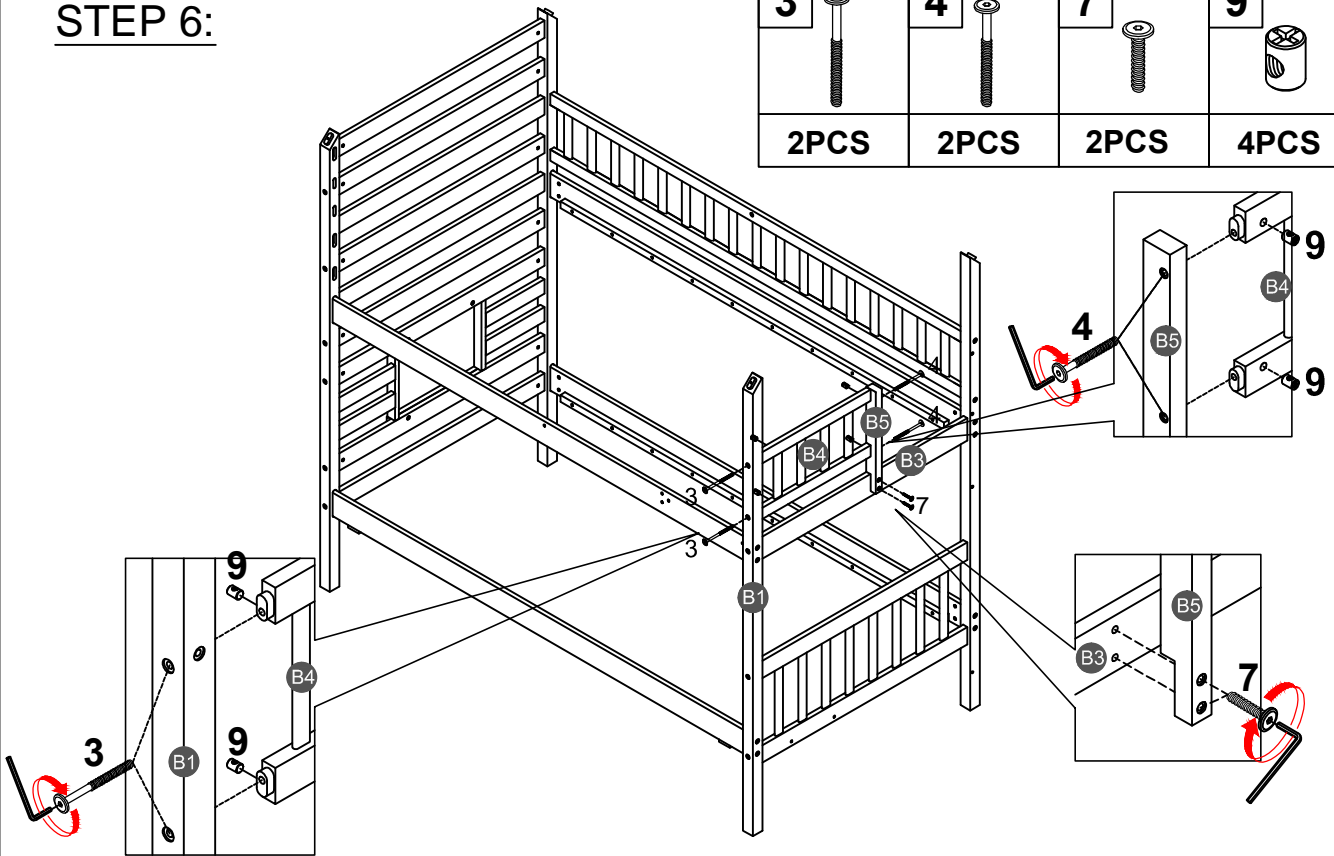
# STEP 5:



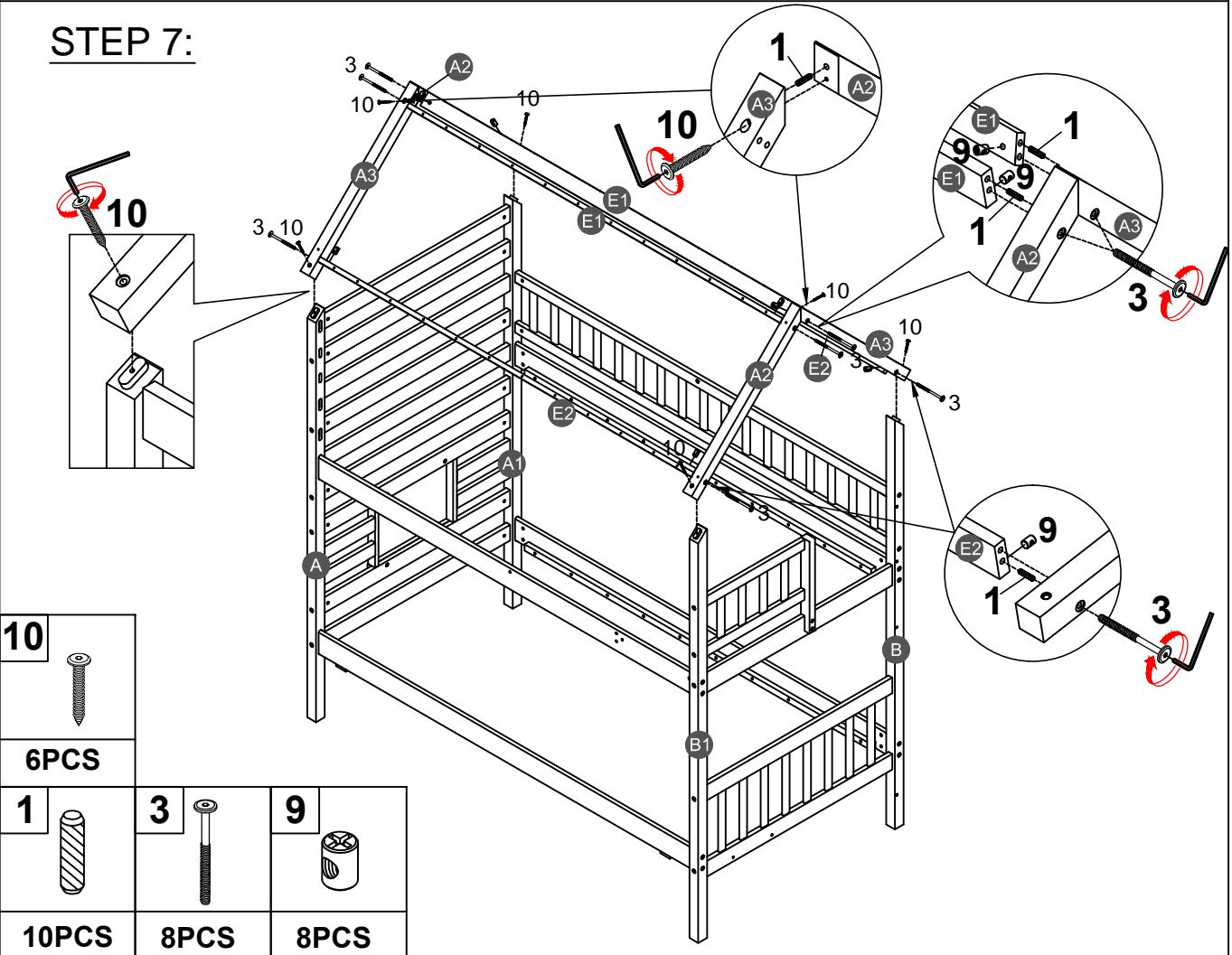
<b>2</b>		<b>9</b>	
<b>20PCS</b>		<b>20PCS</b>	


**STEP 6:**




<b>3</b>		<b>4</b>		<b>7</b>		<b>9</b>	
<b>2PCS</b>		<b>2PCS</b>		<b>2PCS</b>		<b>4PCS</b>	



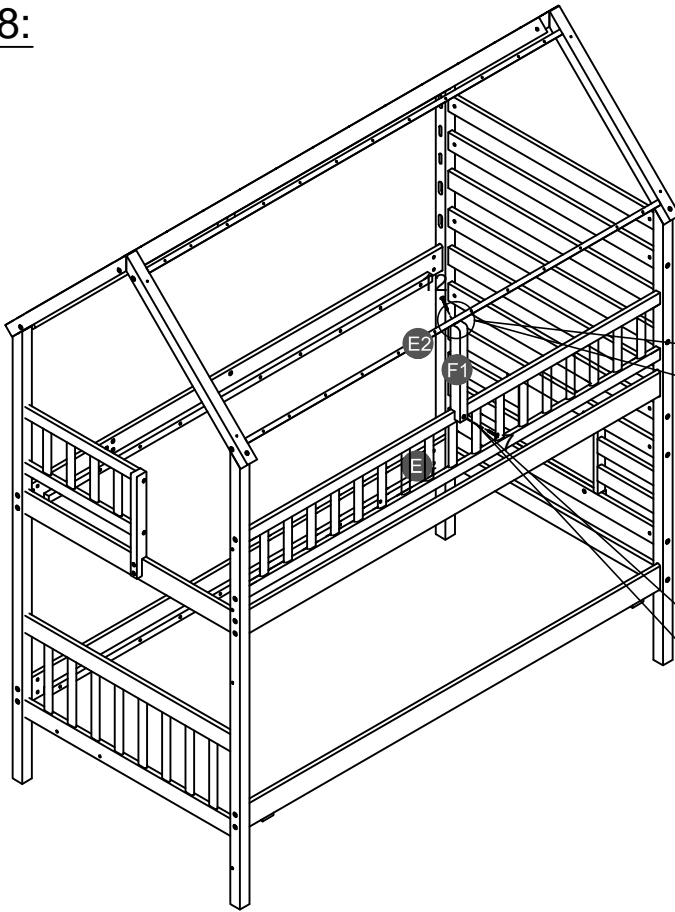
**STEP 7:**





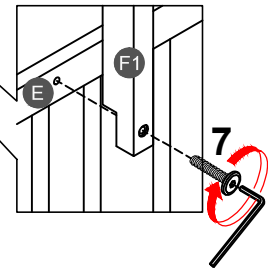
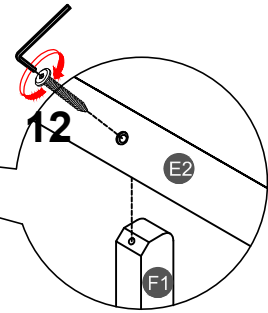
<b>10</b>	
<b>6PCS</b>	

<b>1</b>		<b>3</b>		<b>9</b>	
<b>10PCS</b>		<b>8PCS</b>		<b>8PCS</b>	

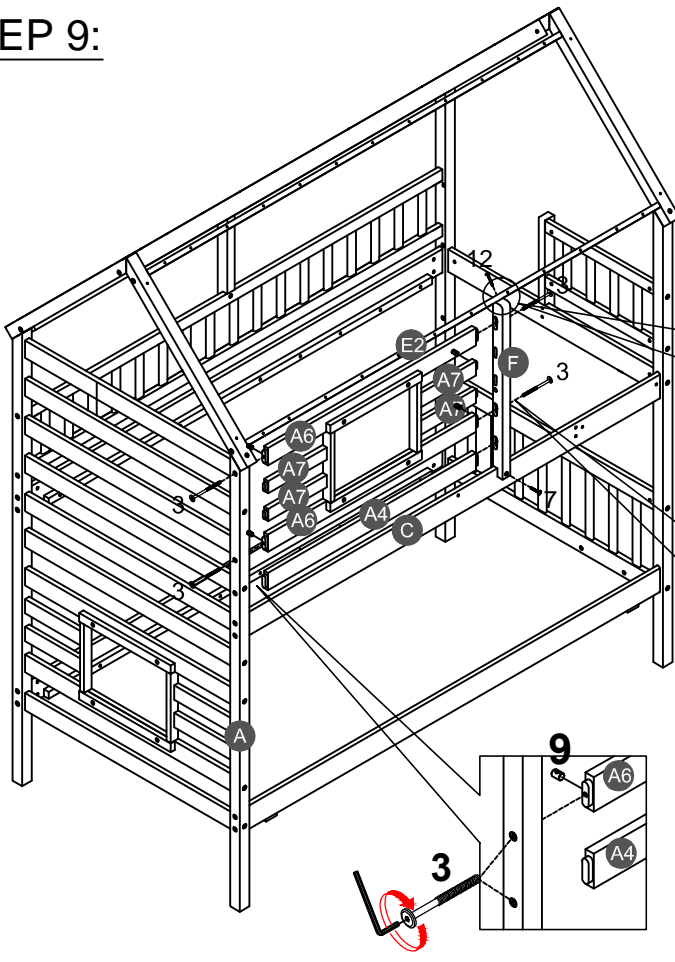
**STEP 8:**







<b>7</b>		<b>12</b>	
<b>1PC</b>		<b>1PC</b>	

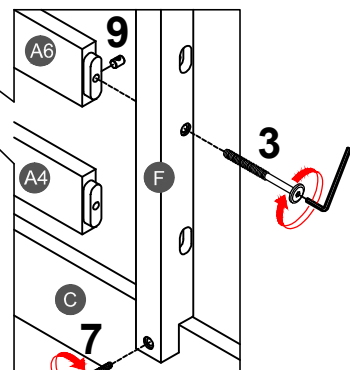
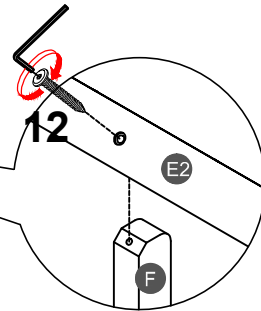


**STEP 9:**

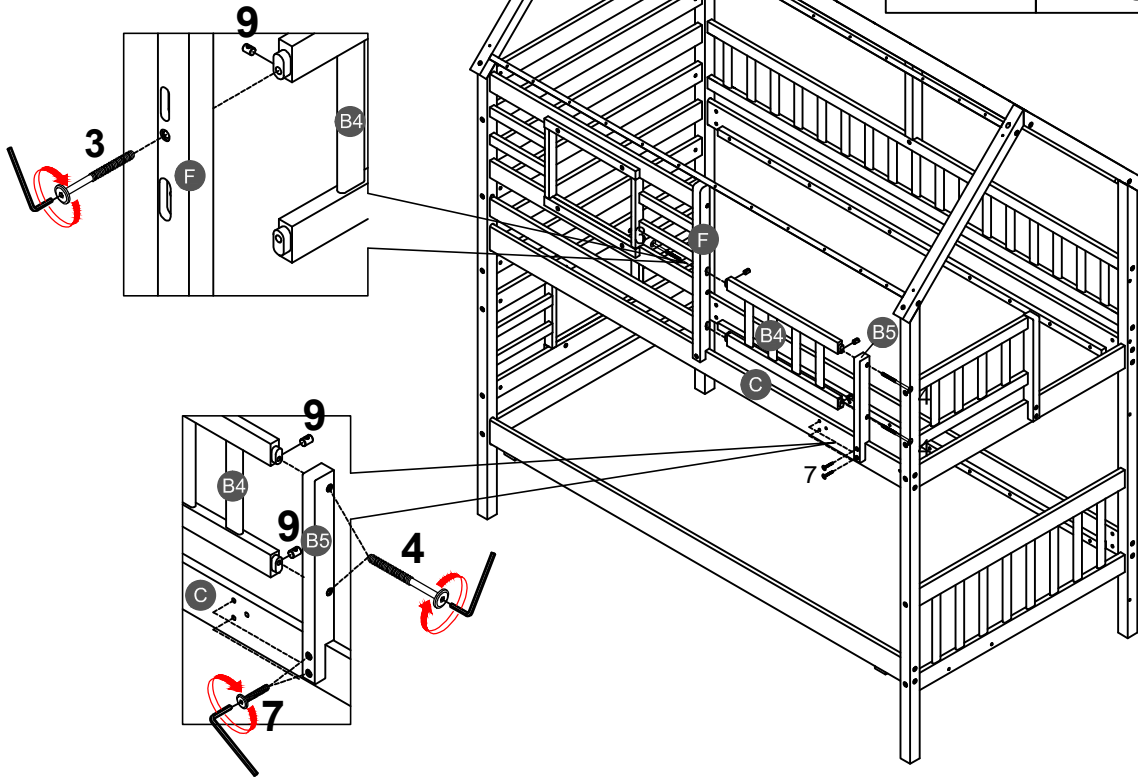


<b>3</b>		<b>7</b>		<b>9</b>	
<b>4PCS</b>		<b>1PC</b>		<b>4PCS</b>	

<b>12</b>	
<b>1PC</b>	

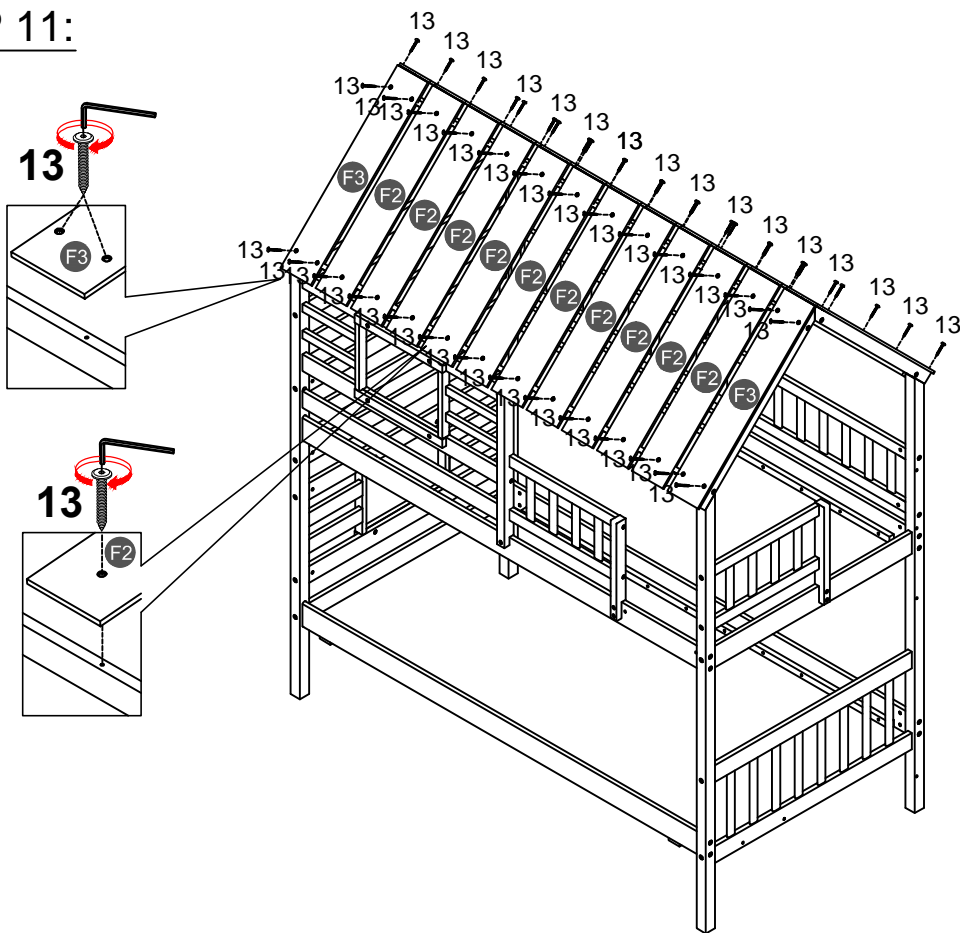


**STEP 10:**




<b>3</b>		<b>4</b>		<b>7</b>	
<b>1PC</b>		<b>2PCS</b>		<b>2PCS</b>	
					<b>9</b>
					<b>3PCS</b>

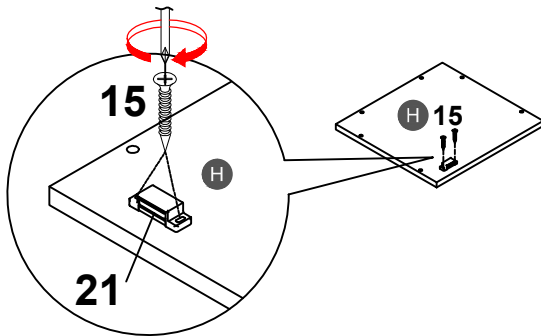
**STEP 11:**




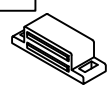
<b>13</b>	
<b>56PCS</b>	

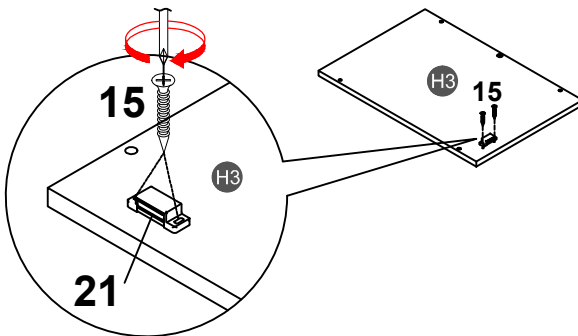
STEP 12:

<b>15</b>		<b>21</b>	
<b>2PCS</b>		<b>1PC</b>	


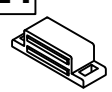


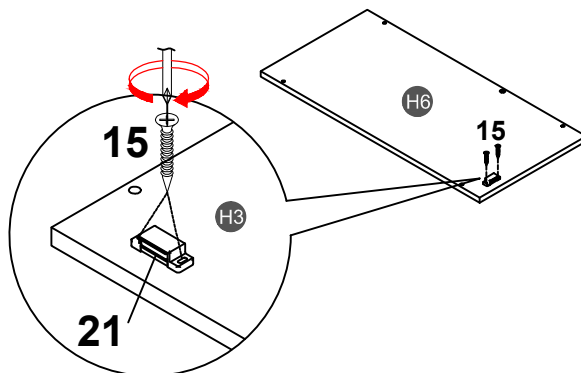
STEP 13:

<b>15</b>		<b>21</b>	
<b>2PCS</b>		<b>1PC</b>	





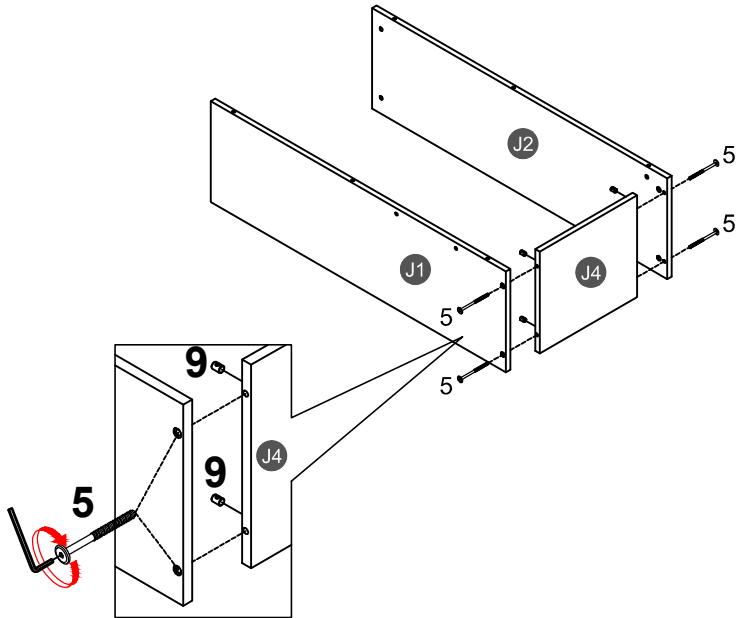
STEP 14:

<b>15</b>		<b>21</b>	
<b>2PCS</b>		<b>1PC</b>	






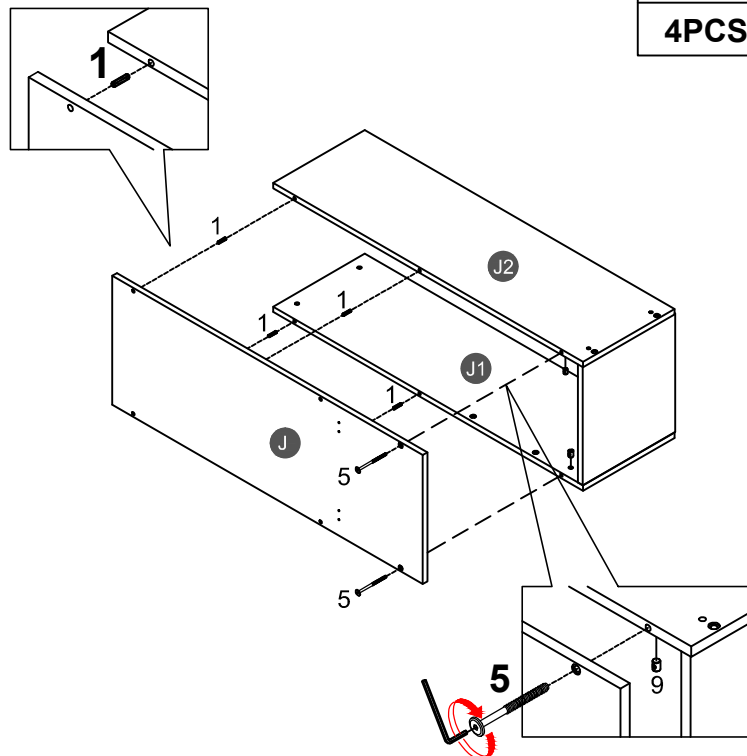
**STEP 15:**

<b>5</b>		<b>9</b>	
<b>4PCS</b>		<b>4PCS</b>	






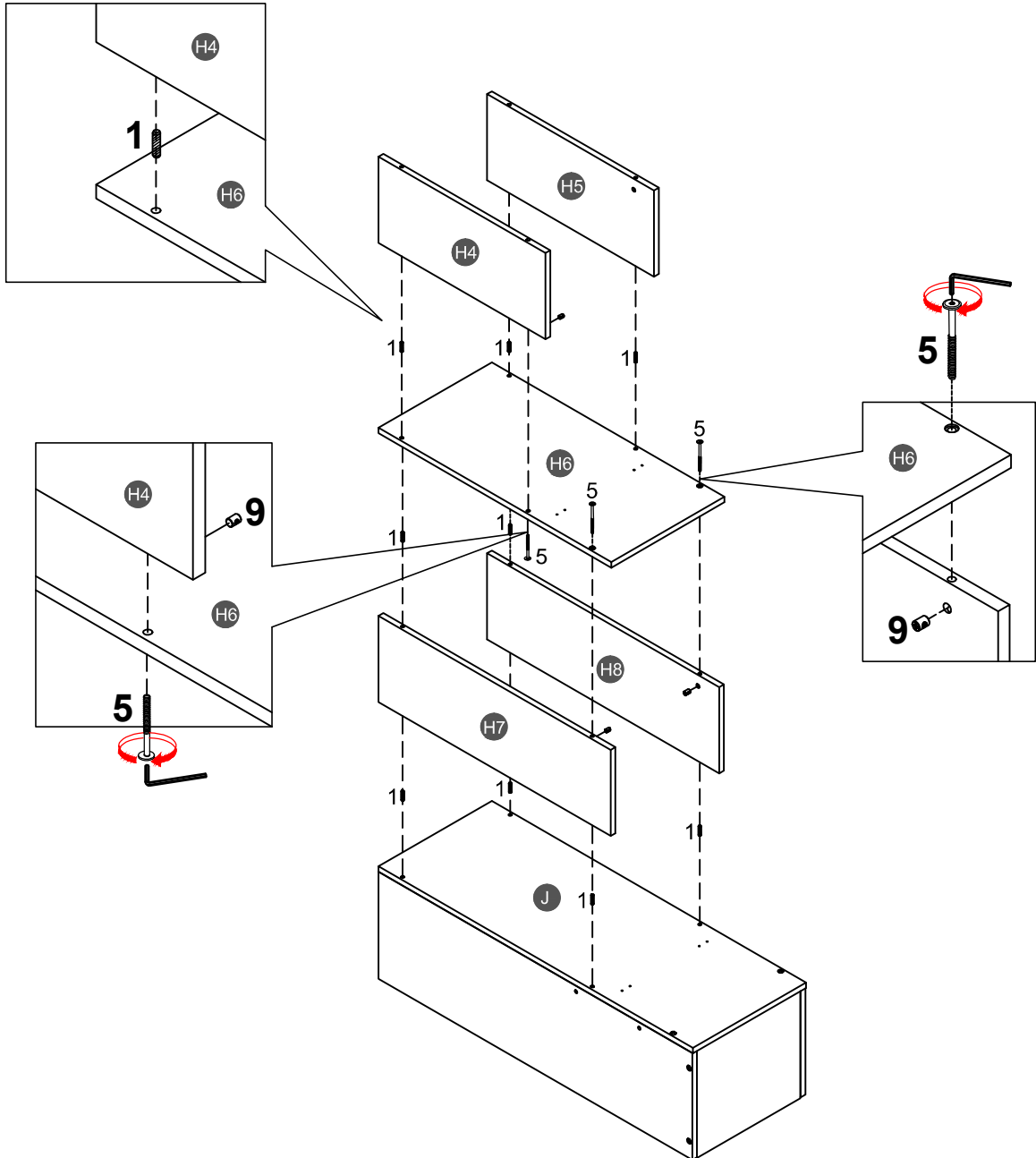
**STEP 16:**

<b>1</b>		<b>5</b>		<b>9</b>	
<b>4PCS</b>		<b>2PCS</b>		<b>2PCS</b>	






# STEP 17:

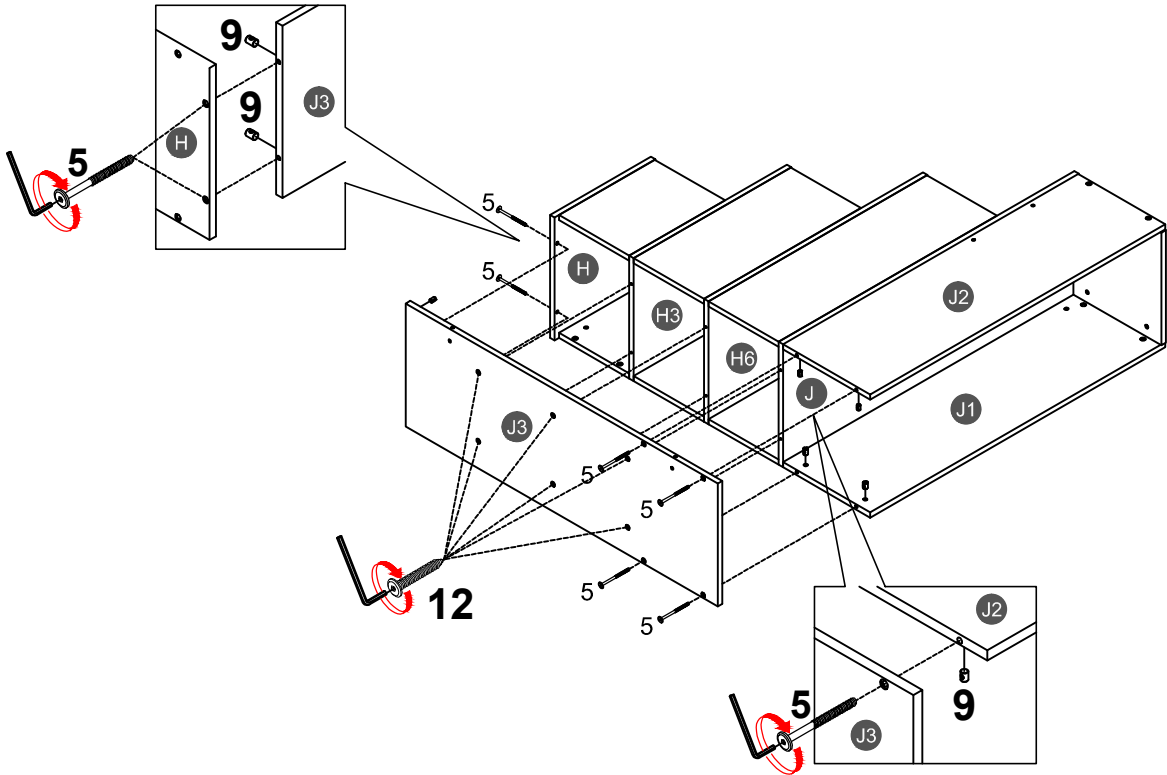
<b>1</b>		<b>5</b>		<b>9</b>	
<b>9PCS</b>		<b>3PCS</b>		<b>3PCS</b>	







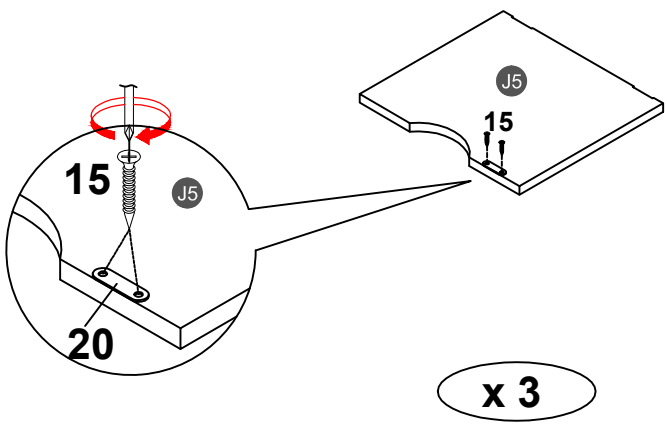
**STEP 19:**

<b>5</b>		<b>9</b>		<b>12</b>	
<b>6PCS</b>		<b>6PCS</b>		<b>6PCS</b>	



**STEP 20:**

<b>15</b>		<b>20</b>	
<b>6PCS</b>		<b>3PCS</b>	

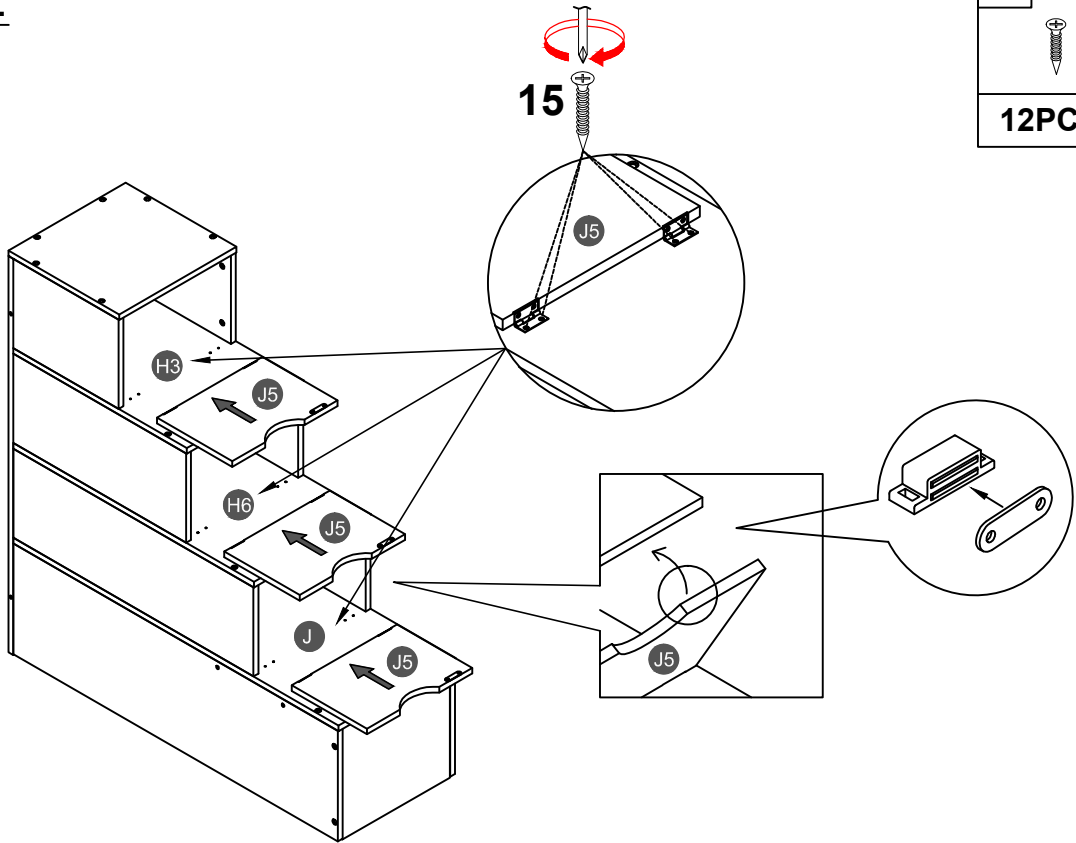


**STEP 21:**

**15**



**12PCS**

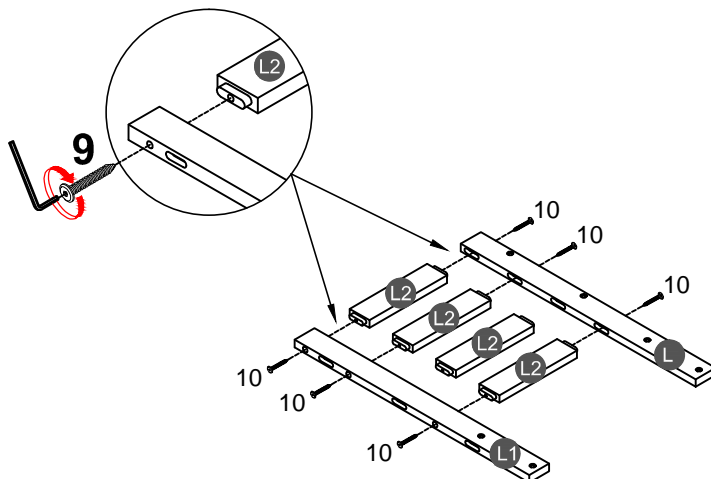


**STEP 22:**


**10**

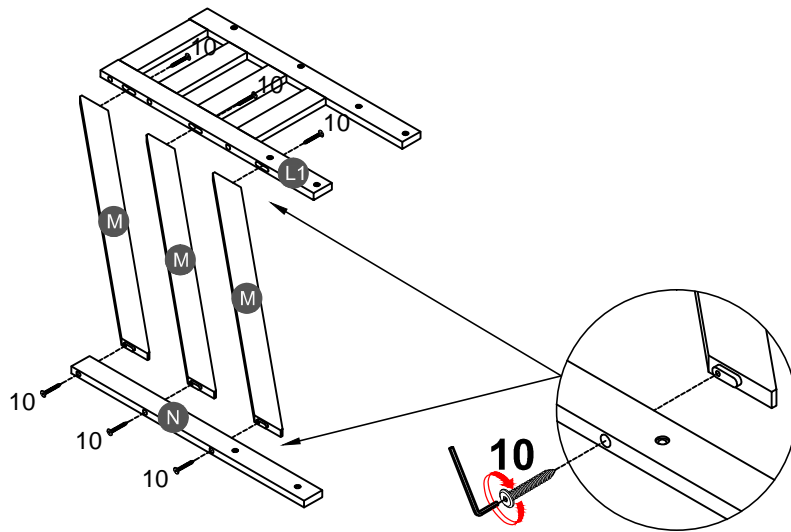


**6PCS**




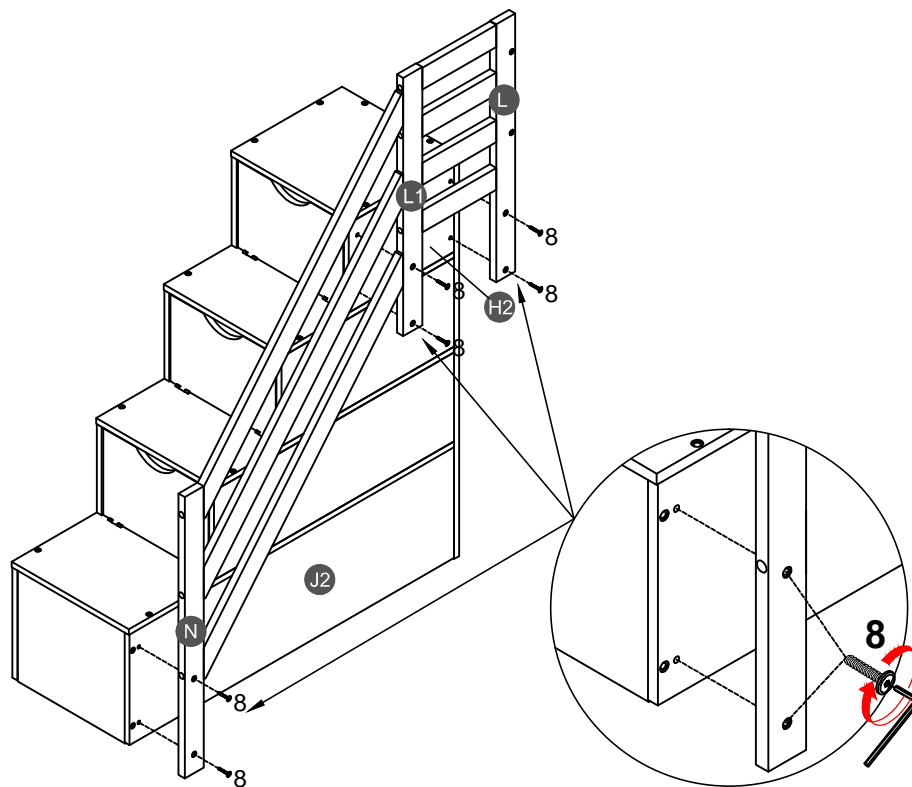
**STEP 23:**

<b>10</b>	
<b>6PCS</b>	





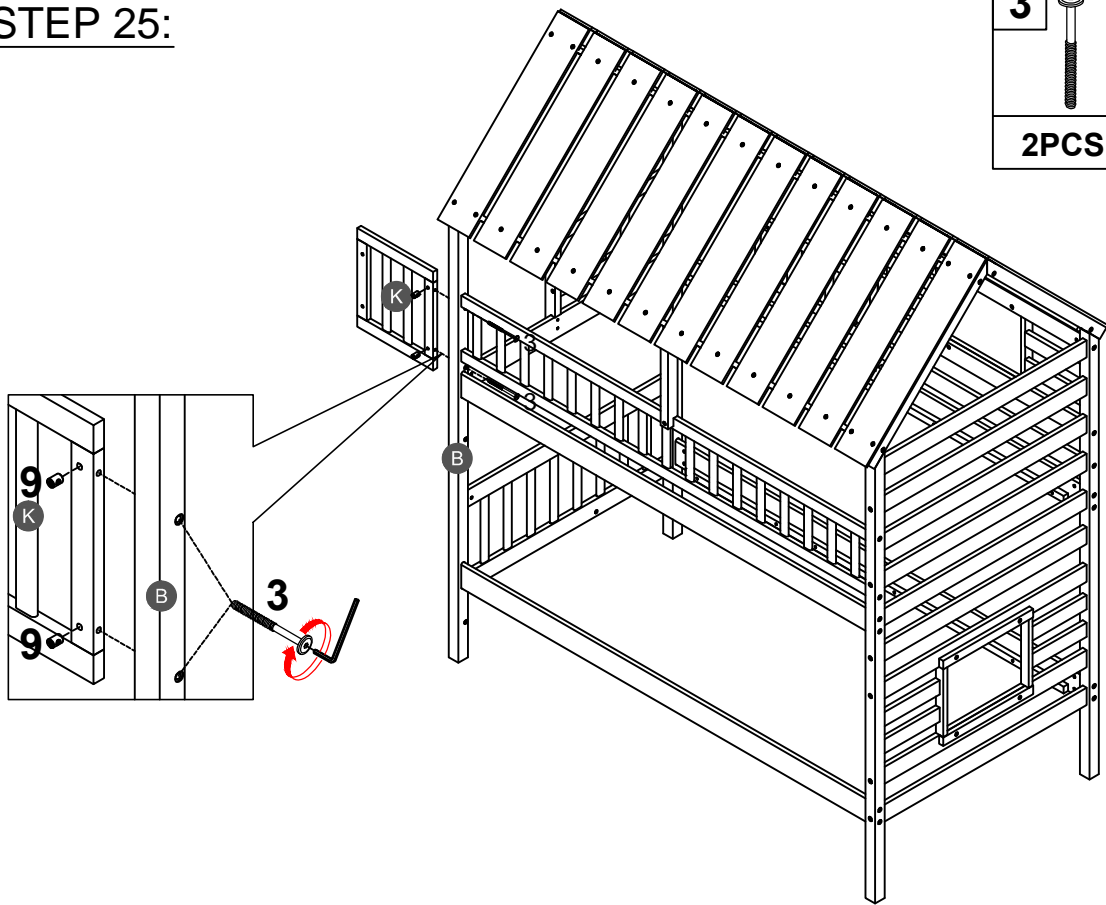
**STEP 24:**

<b>8</b>	
<b>6PCS</b>	

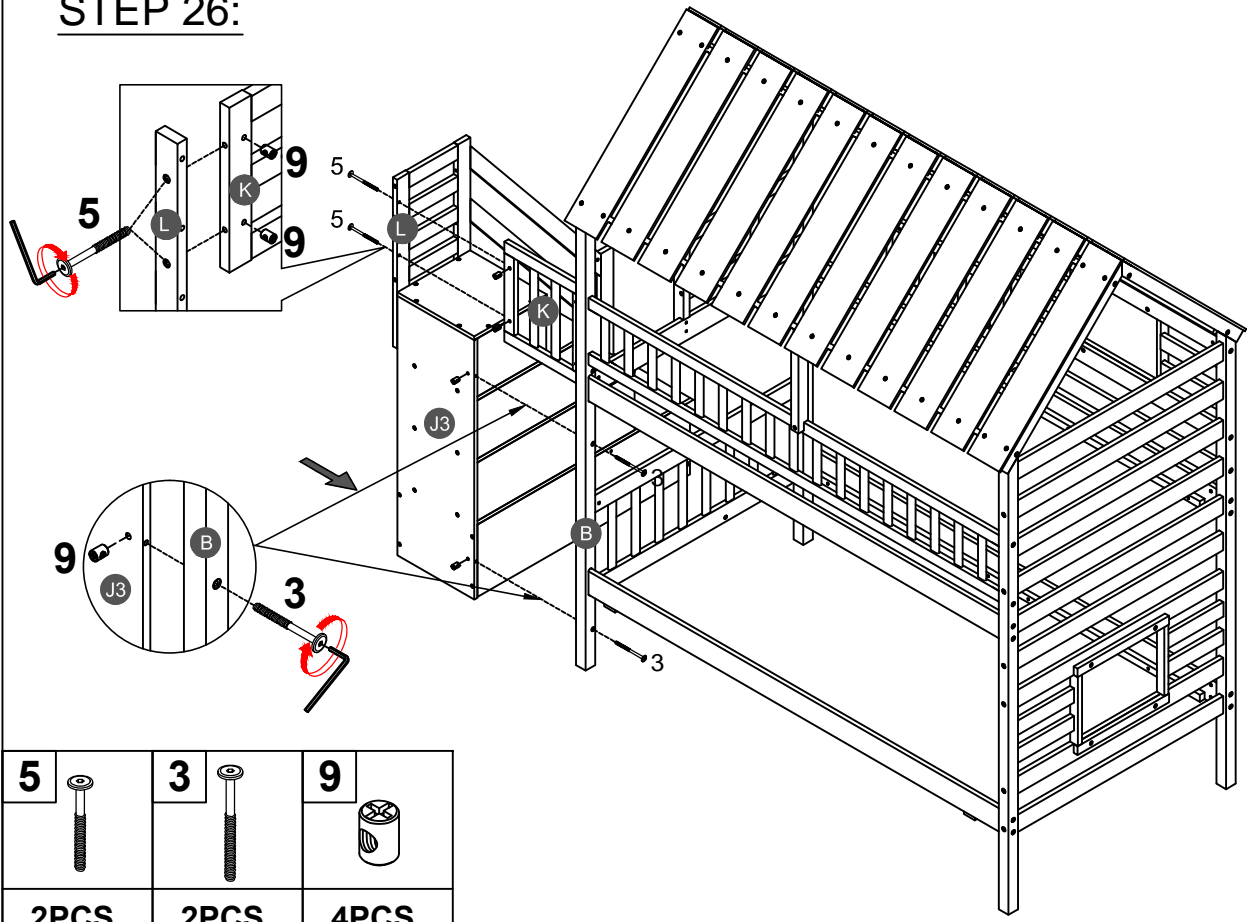





### STEP 25:

<b>3</b>		<b>9</b>	
<b>2PCS</b>		<b>2PCS</b>	

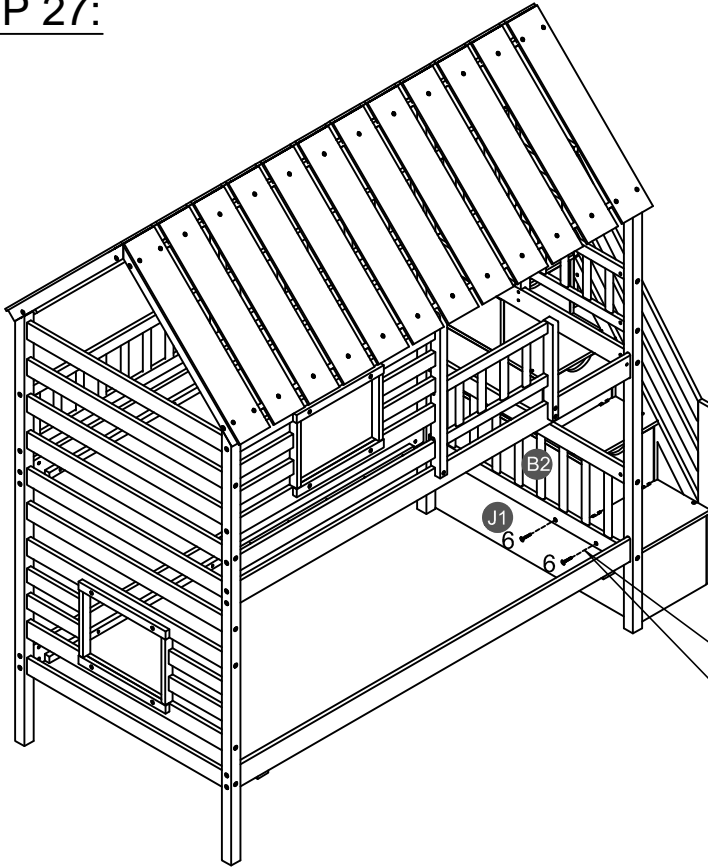


### STEP 26:



<b>5</b>		<b>3</b>		<b>9</b>	
<b>2PCS</b>		<b>2PCS</b>		<b>4PCS</b>	

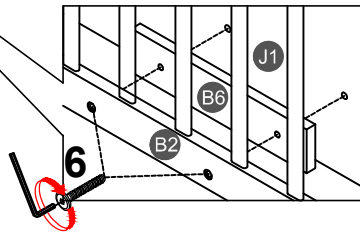
**STEP 27:**



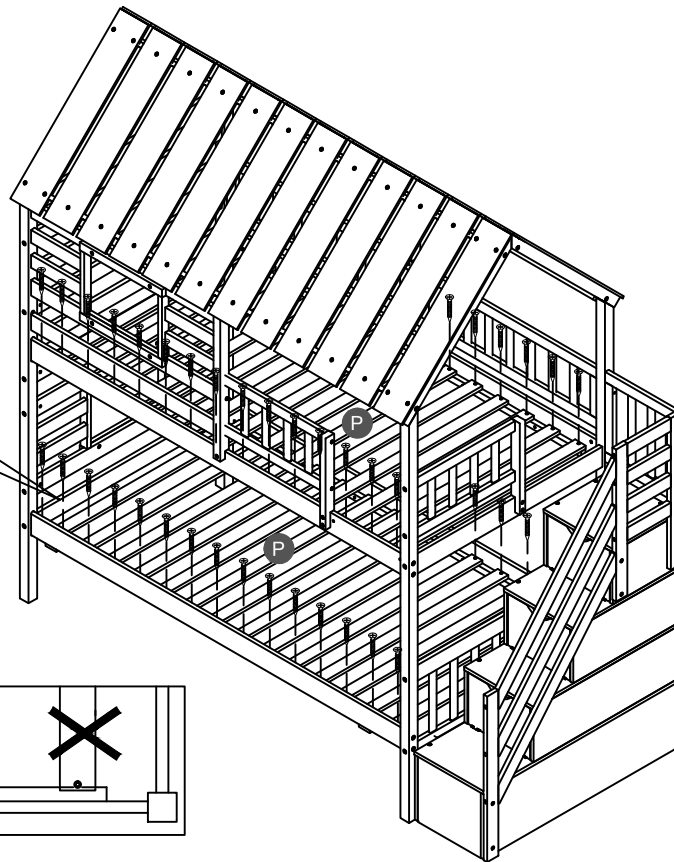
6



2PCS



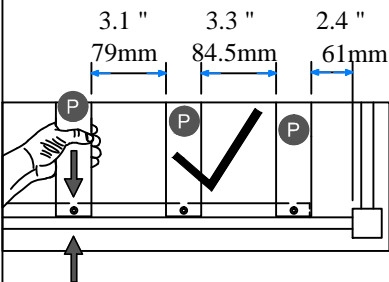
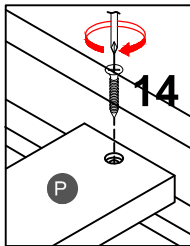
**STEP 28:**



14

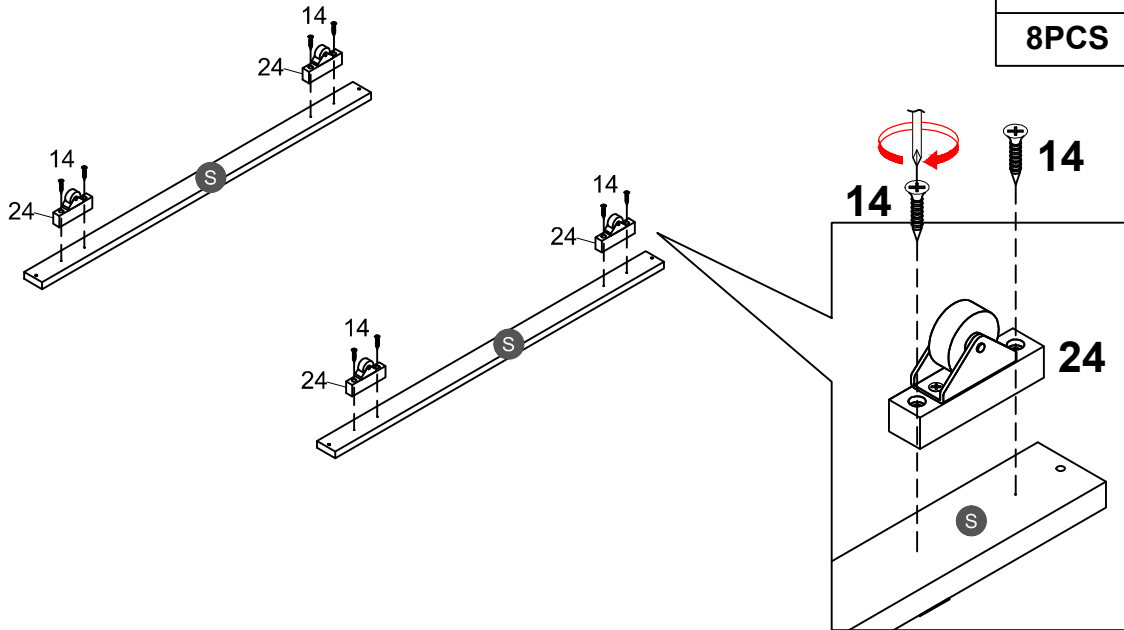




56PCS



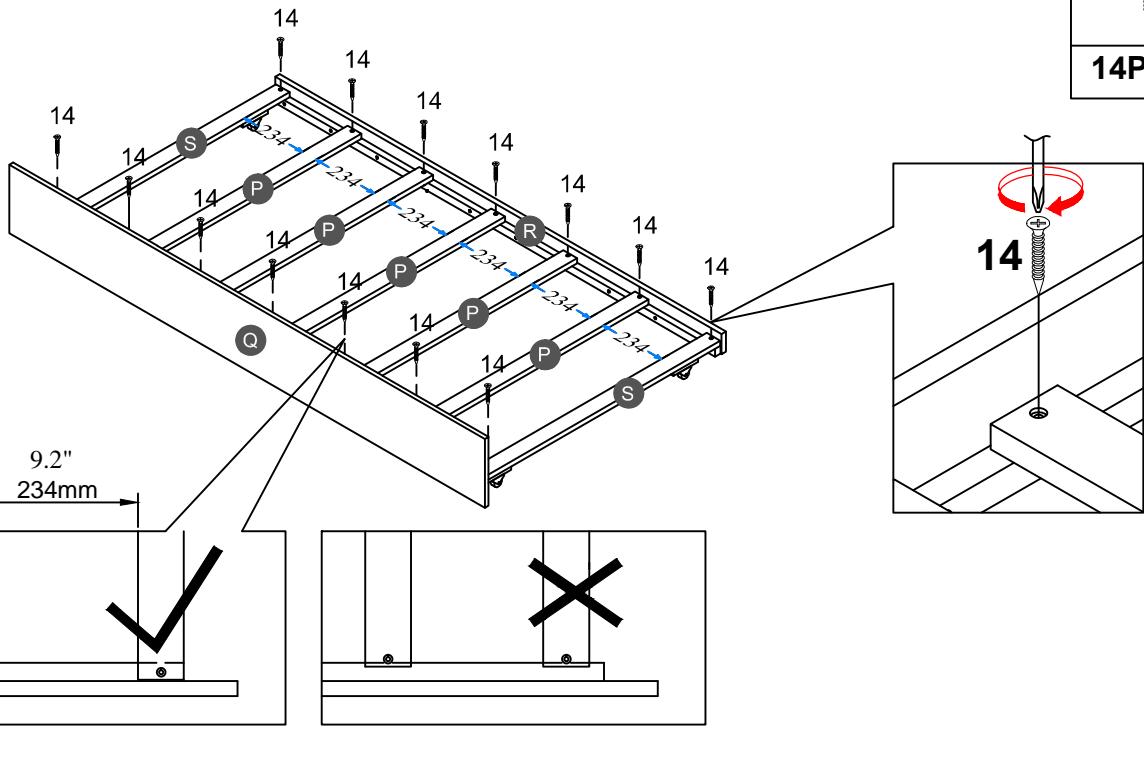
**NOTE:** Please make sure the bed slats close to the side rail before locking the screws to avoid breakage. This step is required for both the left and right sides. Moreover, please do not lock the screws of the bed slats at the outermost edge to avoid damaging.


## STEP 29:



<b>14</b> 	<b>24</b> 
<b>8PCS</b>	<b>4PCS</b>

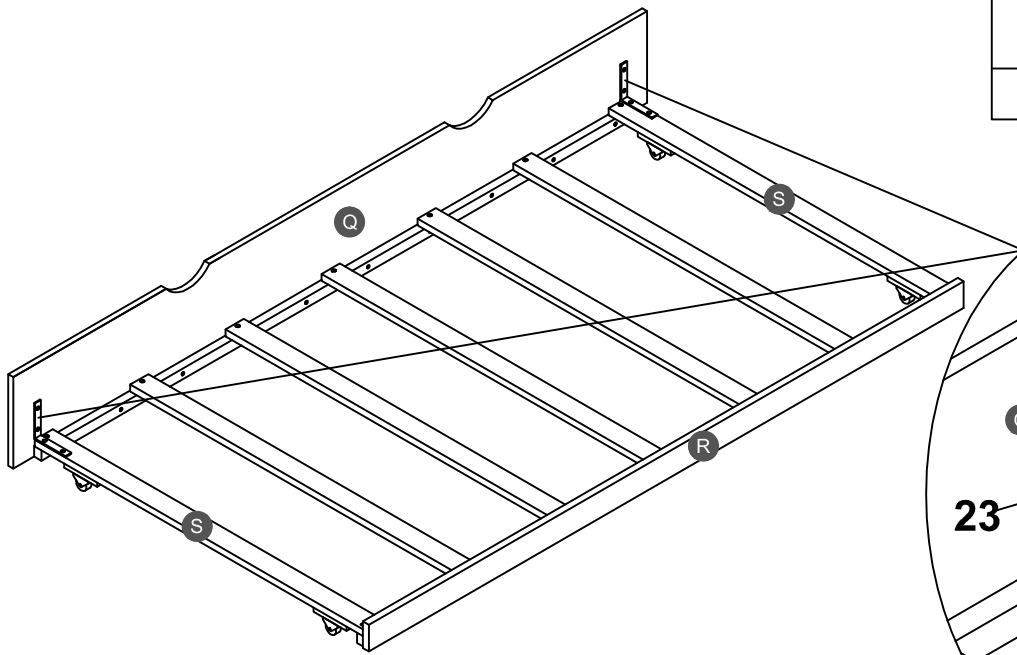
## STEP 30:

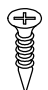



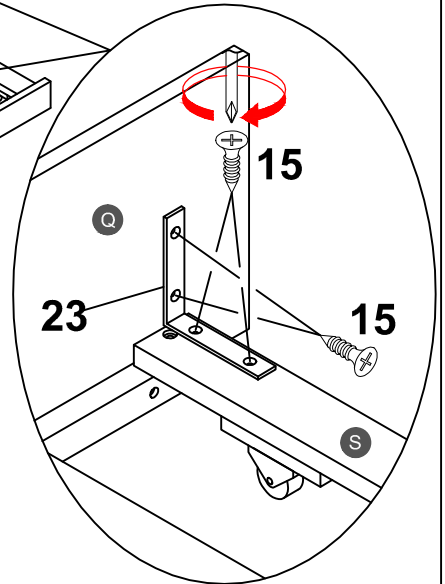
<b>14</b> 
<b>14PCS</b>

**NOTE:** Please make sure the bed slats close to the side rail before locking the screws to avoid breakage. This step is required for both the left and right sides. Moreover, please do not lock the screws of the bed slats at the outermost edge to avoid damaging.

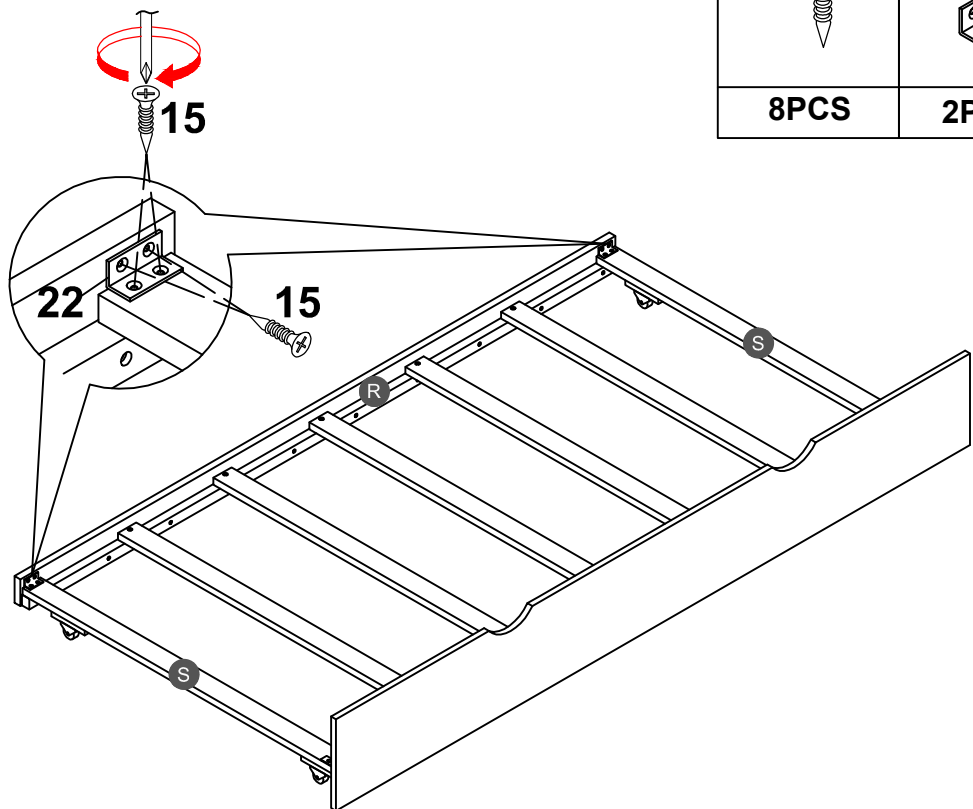
**STEP 31:**


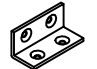


<b>15</b>		<b>23</b>	
<b>8PCS</b>		<b>2PCS</b>	

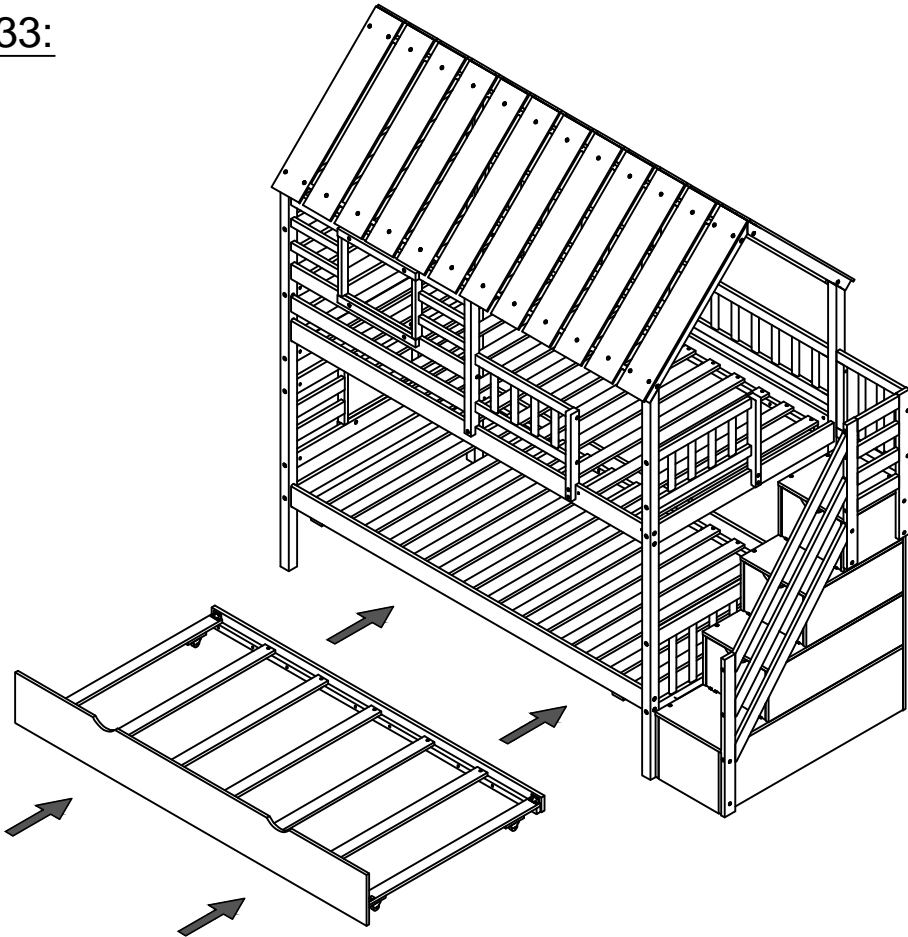


**STEP 32:**



<b>15</b>		<b>22</b>	
<b>8PCS</b>		<b>2PCS</b>	

**STEP 33:**



Push Trundle and Drawer under the bottom of Bunkbed.

**STEP 34:**

<b>11</b>	<b>14</b>	<b>17</b>	<b>18</b>
<b>14PCS</b>	<b>4PCS</b>	<b>2PCS</b>	<b>14PCS</b>

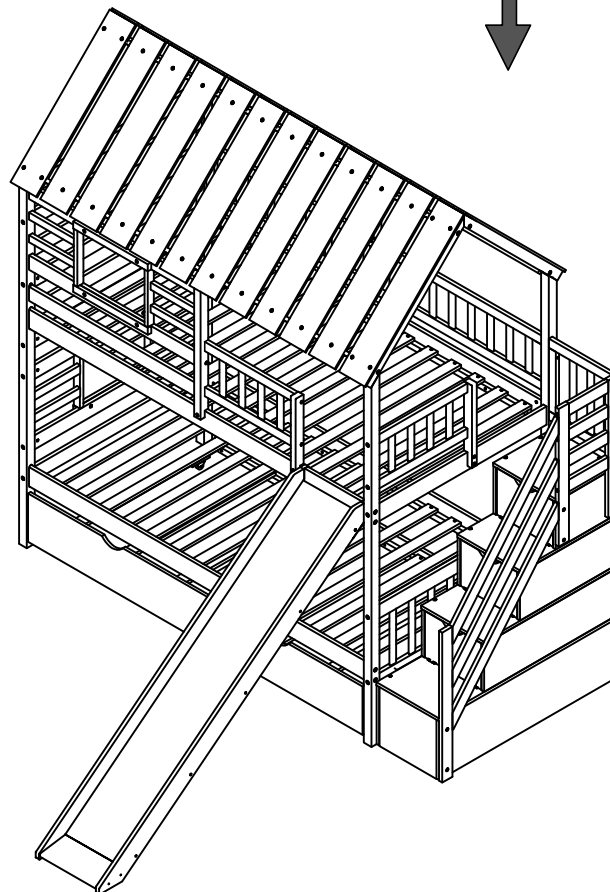
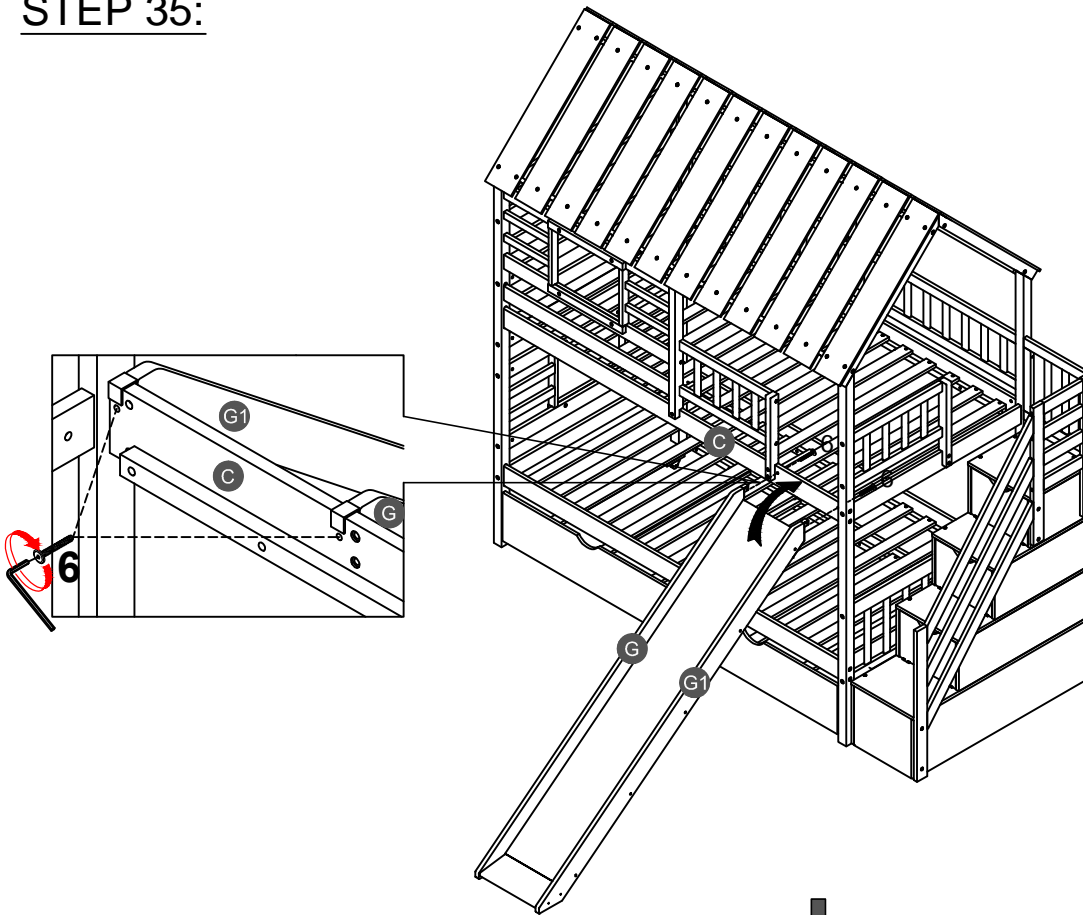
<b>19</b>
<b>14PCS</b>

**STEP 35:**

**6**



**2PCS**



**Make sure to tighten all the screws of the bed.**