

# SHAMPOO CHAIR

User Guide

# CONTENTS



Installation Instructions **01**

• Part List • Installation Steps

Warranty Information **12**

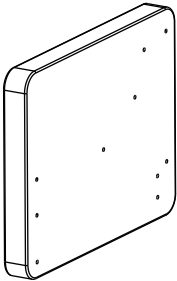
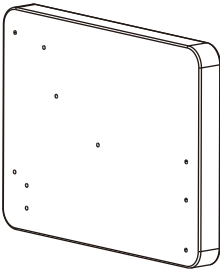
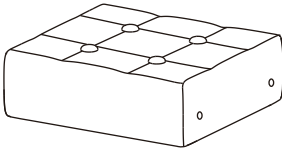
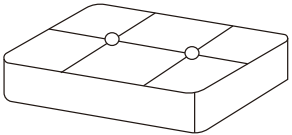
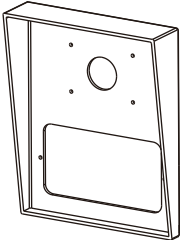
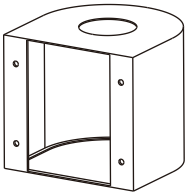
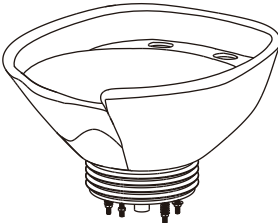
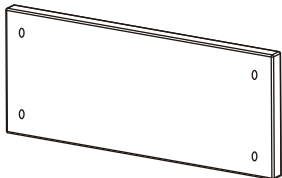
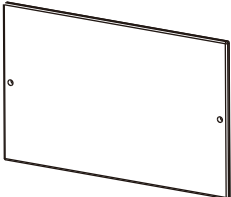
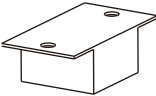
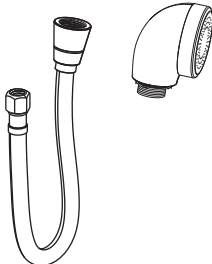
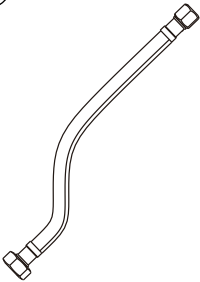


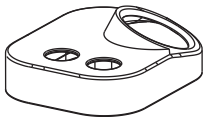

Common Problems and Solutions **13**

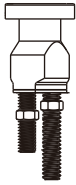







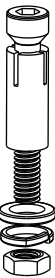
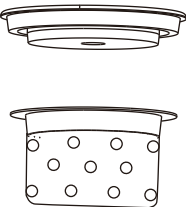
Maintenance Recommendation **15**

Return/Replacement Policy **17**

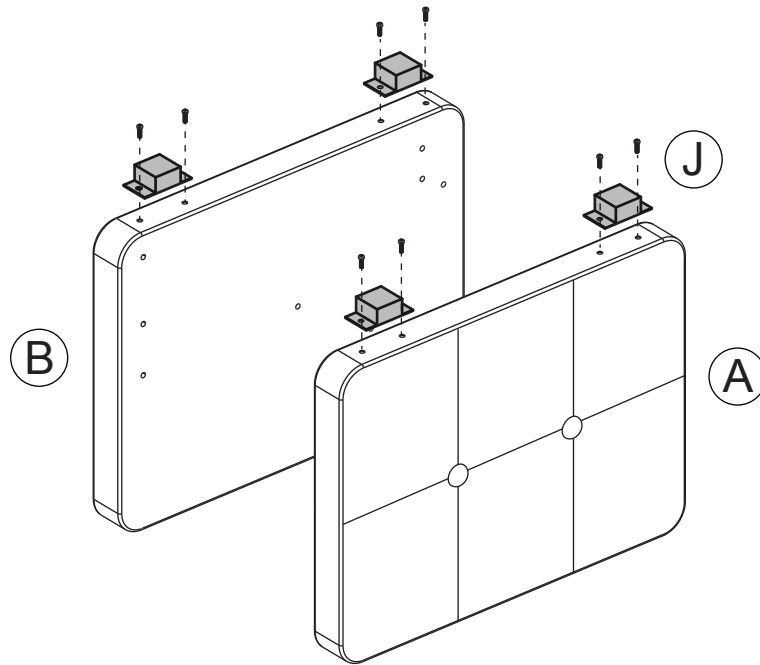
# INSTALLATION INSTRUCTIONS

Part List

<p>(A)</p>  <p>Right Armrest X1</p>	<p>(B)</p>  <p>Left Armrest X1</p>	<p>(C)</p>  <p>Seat Cushion X1</p>	<p>(D)</p>  <p>Backrest X1</p>
<p>(E)</p>  <p>Support Plate X1</p>	<p>(F)</p>  <p>Baisn Support X1</p>	<p>(G)</p>  <p>Basin X1</p>	<p>(H)</p>  <p>Front Bezel X1</p>
<p>(I)</p>  <p>Rear Bezel X1</p>	<p>(J)</p>  <p>Foot Peg X4</p>	<p>(K)</p>  <p>Sprinkler with Pipe X1</p>	<p>(L)</p>  <p>Faucet Pipe X1</p>
<p>(M)</p>  <p>Faucet X1</p>	<p>(N)</p>  <p>Round Gaskets X2</p>	<p>(O)</p>  <p>Isolator Base X1</p>	<p>(P)</p>  <p>Fixing Washer X1</p>

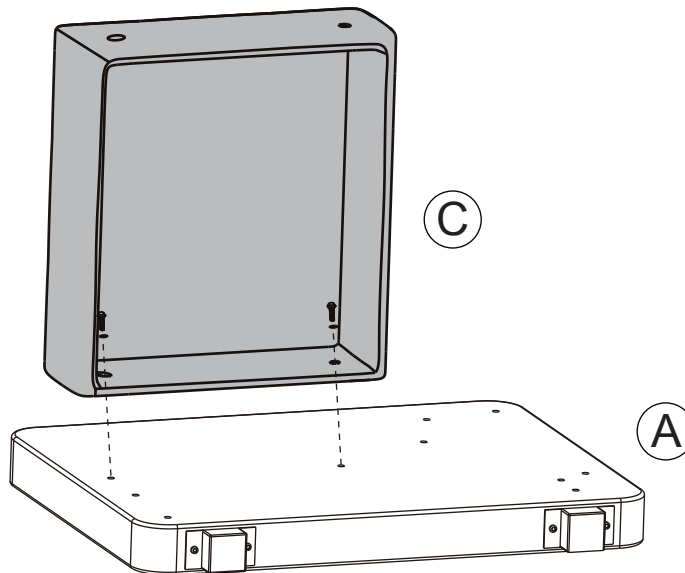
<p>Ⓚ</p>  <p>Isolator X1</p>	<p>Ⓡ</p>  <p>Sewer Pipe X1</p>	<p>Ⓢ</p>  <p>Connector X9</p>	<p>Ⓣ</p>  <p>Baisn Support Connector X2</p>
<p>Ⓤ</p>  <p>Anti-fall Part X2</p>	<p>Ⓥ</p>  <p>M12+M14 X1</p>	<p>Ⓦ</p>  <p>M17 X1</p>	<p>Ⓧ</p>  <p>M5 X1</p>
<p>Ⓨ</p>  <p>Expansion bolt X2</p>	<p>Ⓩ</p>  <p>Filter Basket &amp; Cover X1</p>		

1 Foot Pegs Installation



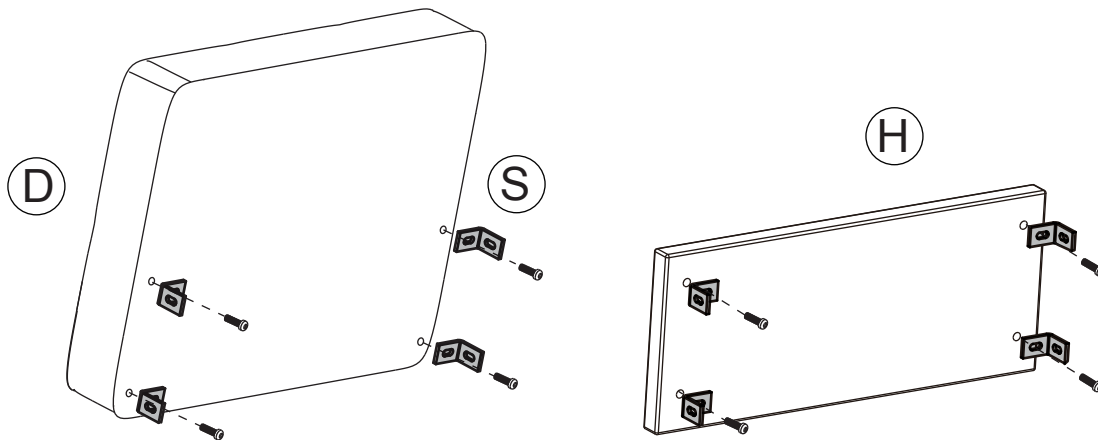
Please remove the 8 bolts at the bottom of the armrests and install 4 foot pegs on the bottom of the armrests

2 Seat Cushion Installation



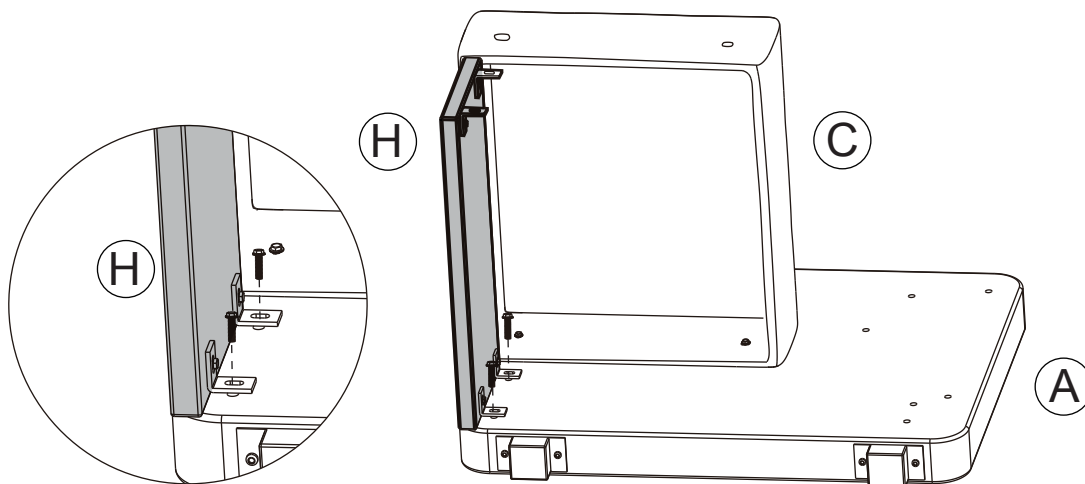
Please remove 2 bolts which pre-fixed on the right armrest and install seat cushion to the right armrest . (Don't tighten all bolts)

### 3 Connectors Installation



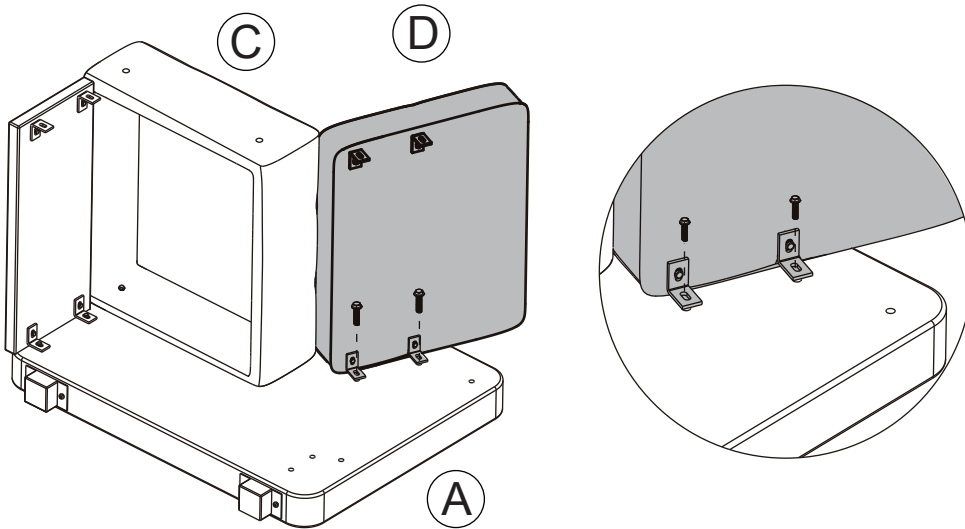
Please remove bolts which pre-fixed on the backrest and front bezel and install the connectors to the backrest and front bezel.

### 4 Front Bezel Installation



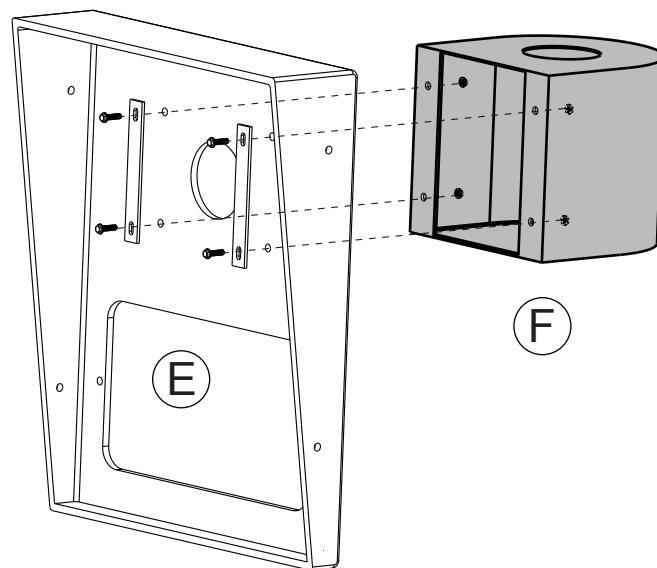
Please remove 2 bolts which pre-fixed on the right armrest and install front bezel to the right armrest. (Don't tighten all bolts)

## 5 Backrest Installation



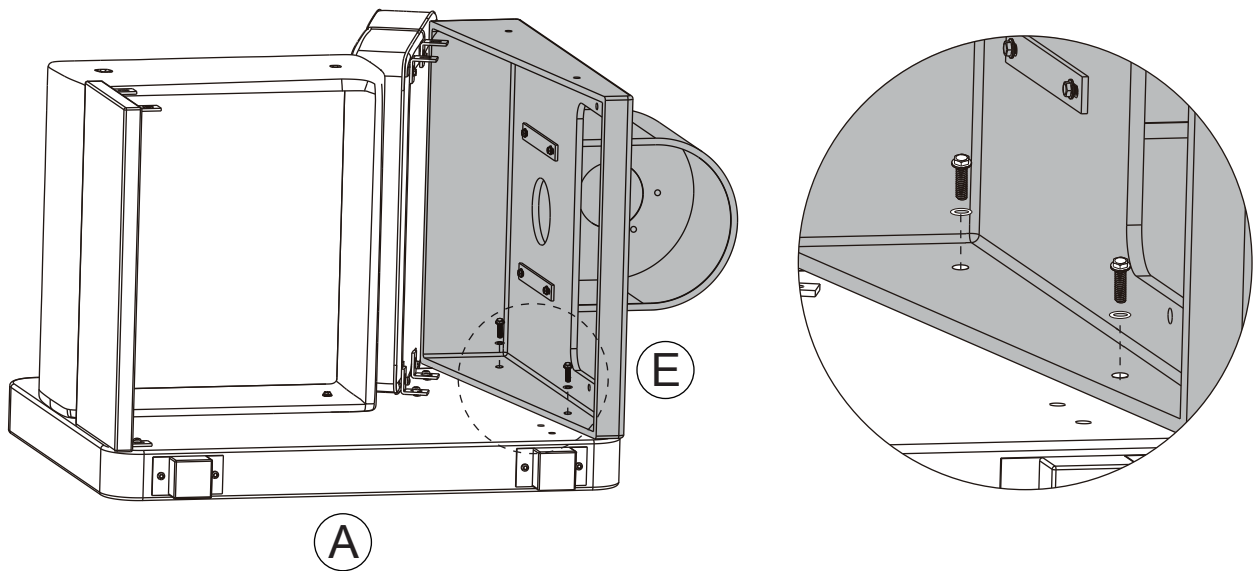
Please remove 2 bolts which pre-fixed on the right armrest and install the backrest to the right armrest. (Don't tighten all bolts)

## 6 Basin Support Installation



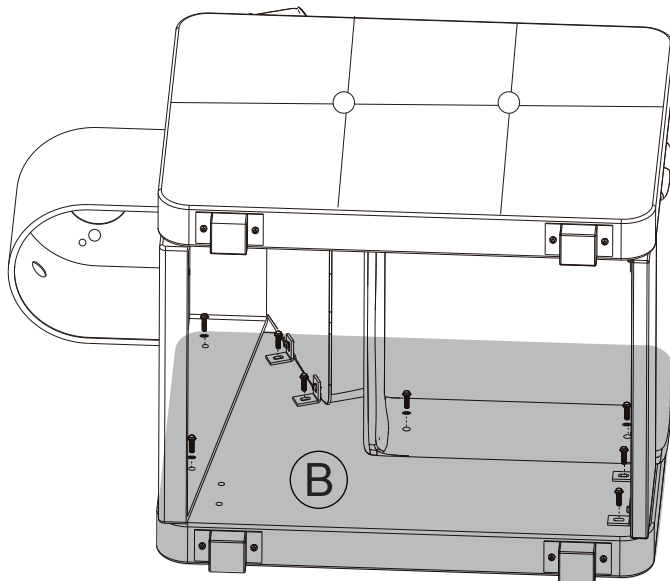
Please install the basin support to the support plate with the basin support connectors.

## 7 Support Plate Installation



Please remove 2 bolts which pre-fixed on the right armrest and install support plate with basin support to the right armrest. (Don't tighten all bolts)

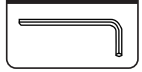
## 8 Left Armrest Installation



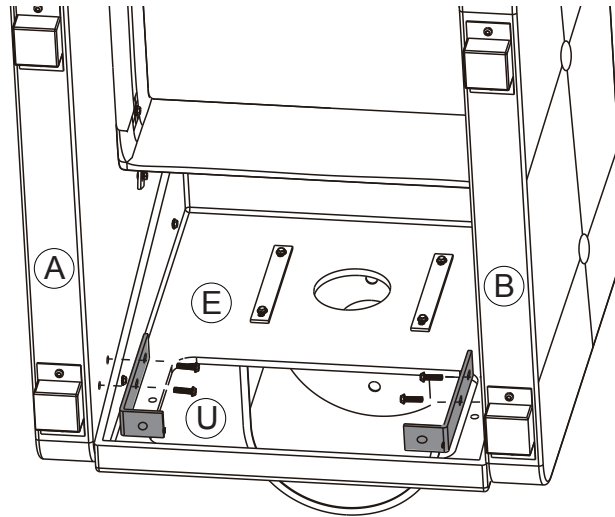
Please install the left armrest in the same way as the right armrest. Finally, tighten all bolts.

## 9 Anti-fall Parts Installation

Allen key

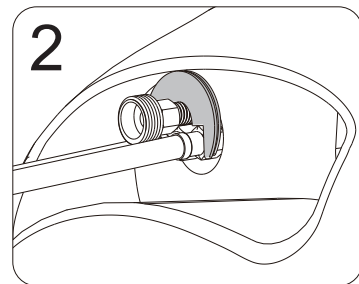
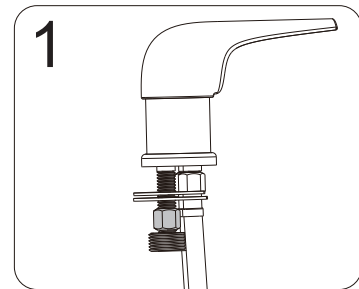
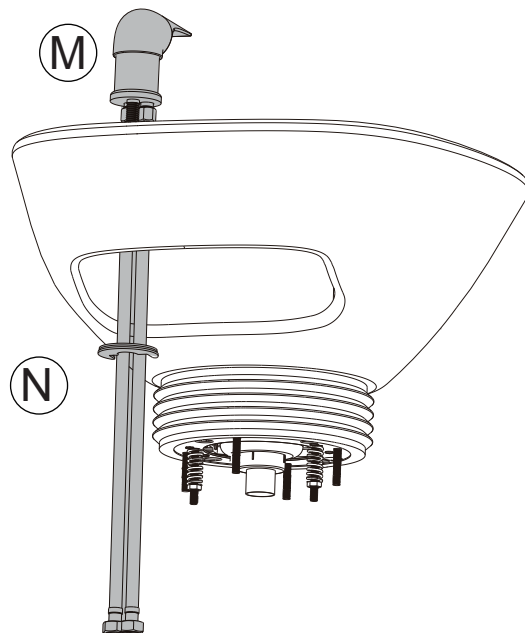


**!** If your installation site permits, you can choose to fix the shampoo chair to the floor to make it more stable.



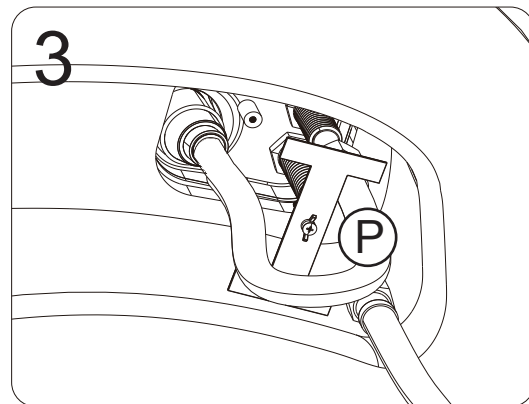
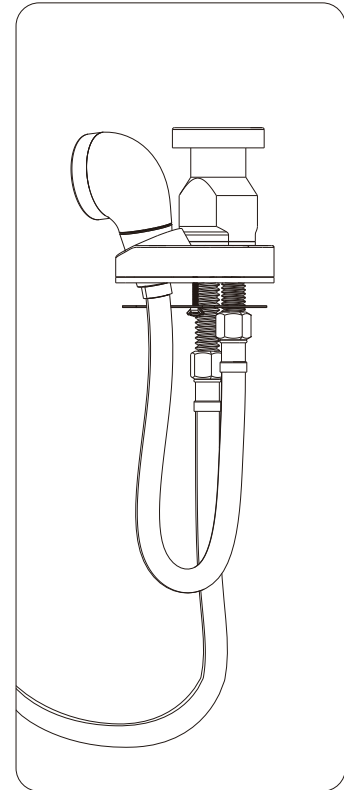
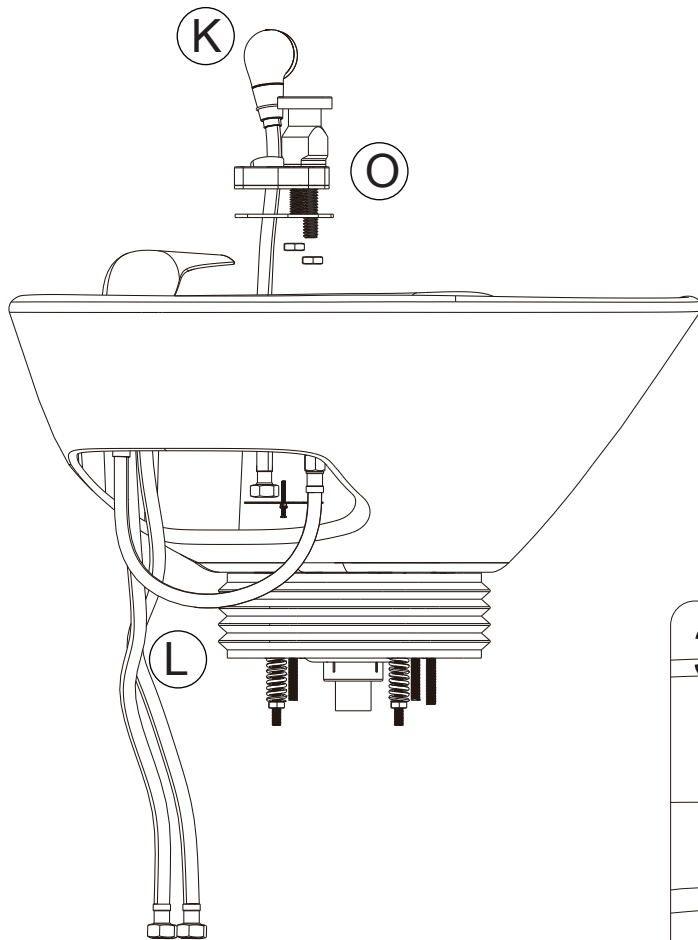
Please remove bolts which pre-fixed on the armrests and install the anti-fall parts to the armrests.

## 10 Faucet Installation



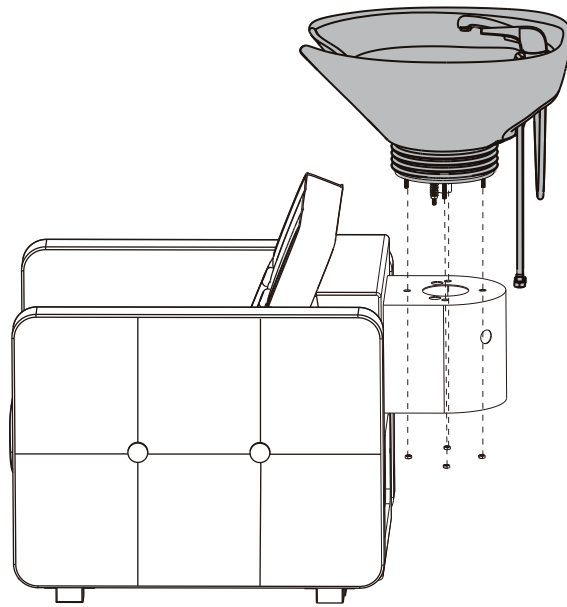
Please insert the faucet into the basin, slightly loosen the nuts as shown in Figure 1, fix the round gasket to the faucet and then tighten the nuts.

## 11 Sprinkler and Isolator Installation



1. Please unscrew the two nuts pre-installed on the isolator. Install the isolator on the isolator base, screw the two nuts back, and finally install the isolator on the basin.
2. Please use the fixing washer to fix the isolator as shown in Figure 3.
3. Please connect the sprinkler pipe and faucet pipe with the isolator correctly, and then connect the sprinkler with the sprinkler pipe.
4. After the faucet pipe is installed, connect it to the hole in Figure 2 in previous step.

## 12 Basin Installation

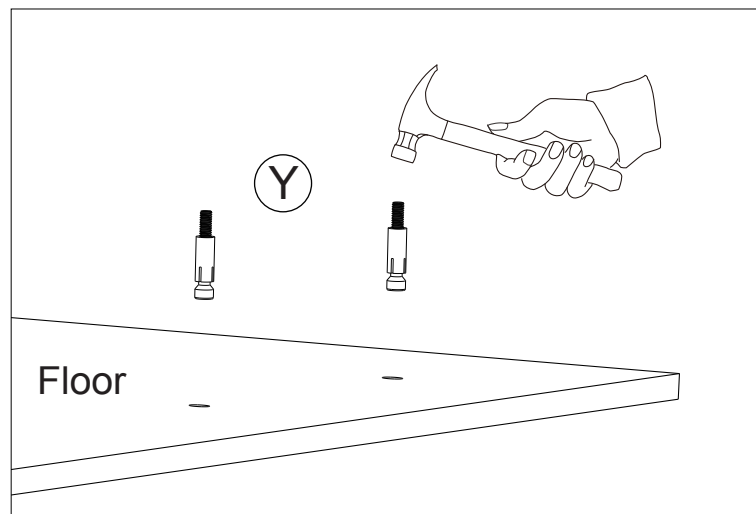


Please remove the four sets of nuts & gaskets on the shampoo rocker, place the basin on the basin support, reattach the nuts & gaskets to the screws through the basin support.

## 13 Expansion Bolts Fixed Installation



**If you choose to fix this shampoo chair.**

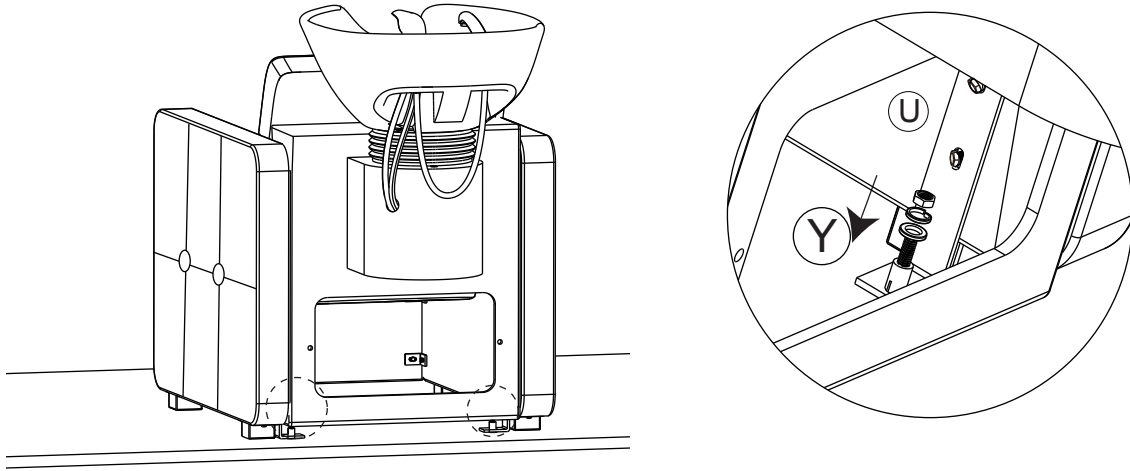


Please fasten the expansion screw to the floor.

## 14 Expansion Bolts Installation

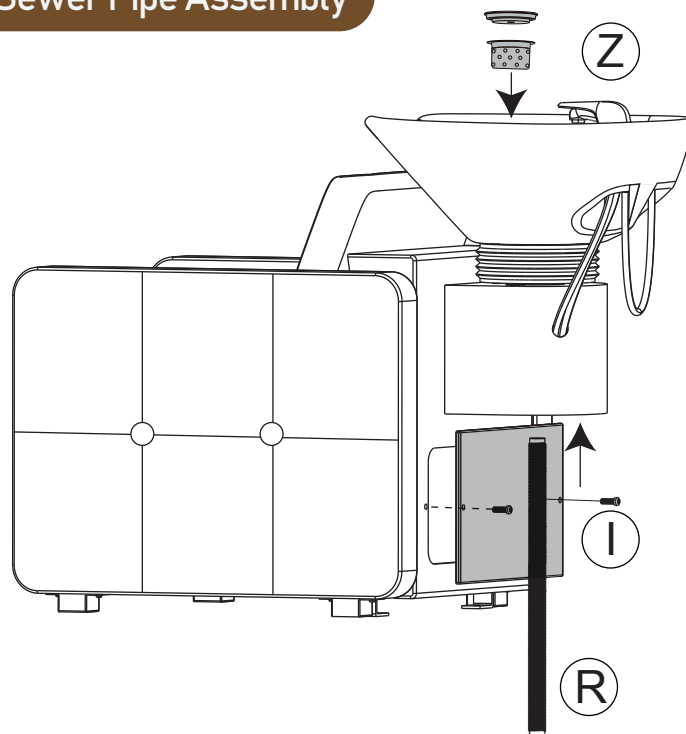


If you choose to fix this shampoo chair.



Please secure the shampoo chair to the floor with the expansion bolts.

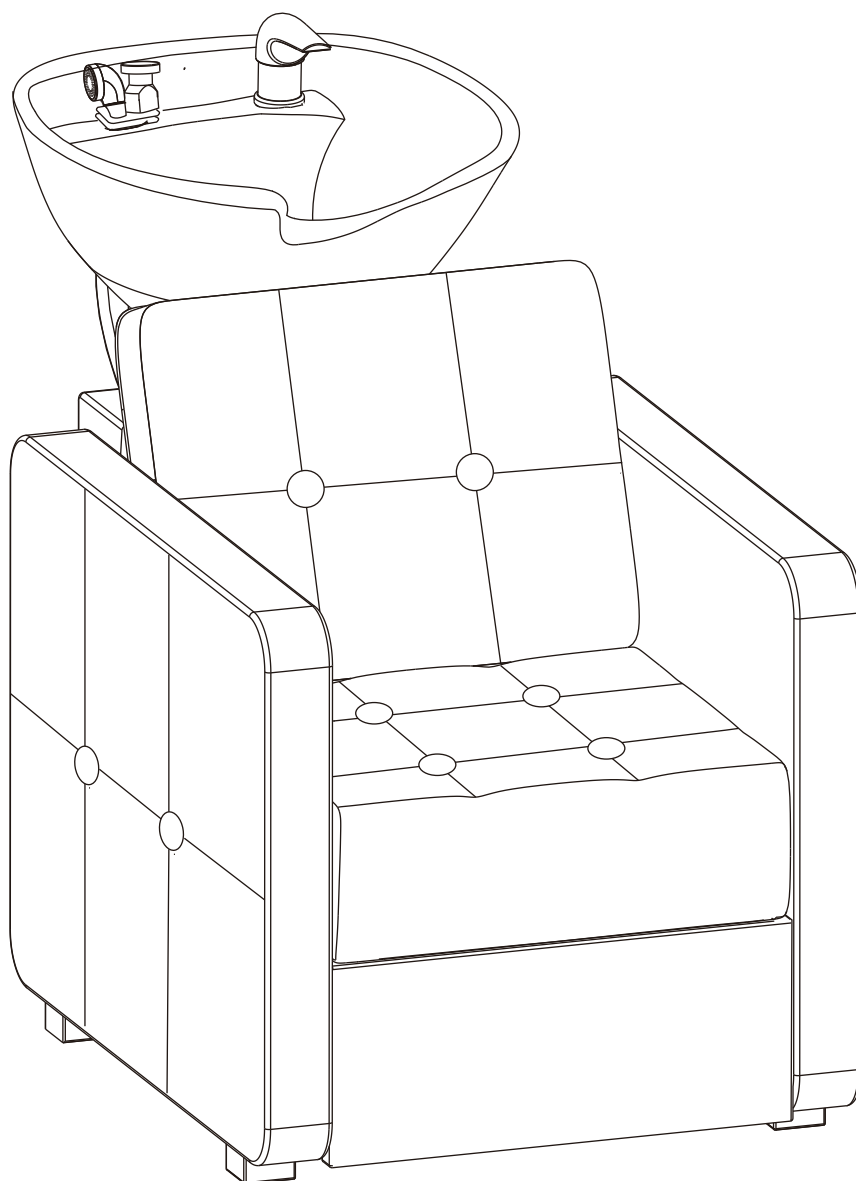
## 15 Rear Bezel & Sewer Pipe Assembly



Please remove 2 bolts which pre-fixed on the support plate and install the rear bezel to the support plate. Then install the sewer pipe on bottom of the basin. Finally, place the filter basket & cover in the basin.

16

Finish



# WARRANTY INFORMATION

Base	1 Year
Pump	1 Year
Reclining Mechanism	6 Months
Headrest	6 Months
Backrest	6 Months
Seat	6 Months
Footrest	6 Months

## LIMITATIONS APPLICABLE TO ALL WARRANTIES

**All warranties are to the original purchaser ONLY.**

We will replace the defective parts or send a replacement chair provided that the warranty parts have not been subjected to misuse, abuse or improper service by the customers, for example, damaged wire arising in consequence of negligence or improper operation.

Exclusions also include components with damage caused by:

- Contamination
- Abuse, misuse, accident, or negligence
- Commercial use, or use other than normal
- Improper operation, maintenance, or storage

We will pay standard shipping rates on all warranted parts for the first year. We can also sell you replacement part at a discount when your chair is out of warranty policy.

# COMMON PROBLEMS AND SOLUTIONS

## **Pump Not Working at All**

Solution: It is because the pump got locked. Please push the lever to the lowest position and hold it for a few seconds, then it will be unlocked.

## **Pump Not Working Properly**

Solution 1: The failure of pump to rise and down may be caused by the wrong direction of the foot lever installation. Please take off the footrest first, then turn the foot lever in the opposite direction and plug it into the pump again. For further details, please check the prompts in direction.

Solution 2: If the foot lever is in the correct direction, the problem may be caused by the air inside of the pump. For this circumstance, please rise the chair to highest position and then lower the chair to lowest position. Then, repeat the process several times. The pump should work properly.

## **Pump Goes Down by Itself**

When you pump up the chair in daily uses, please do not tread the foot lever to the end. Please pump up the chair bit by bit from the lowest position to the highest position (without people sitting). Please upward the foot lever and let someone sit on the chair to see if the problem still exists. If the issue still exists, please contact us.

## **Difficult to Rotate**

Solution 1: The issue may be caused by wrong seat cushion installation, for placing the seat to the bottom. Please push the seat down and it will be locked automatically.

Solution 2: The pump has two screws inside. Please remove the pump cover and loose the screws on the pump, which will make the chair to spin free.

Kindly Reminder: If you want to lock the chair, please heave up the pump lever. Please tread it to unlock.

## **Recliner Not Working**

Solution: If the backrest cannot move forward or backward, please adjust the gas piston for the recliner. There is a screw on the piston, and you need to adjust it a little bit to make the recliner work.

Please see videos below for further installation guides.

## **Chair Slant Forward**

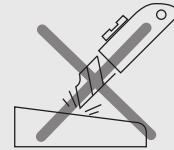
Solution: The issue is caused by wrong side bracket installation. There is a bracket between seat and pump. The bracket is not flat. It is designed in that way. Please put the thick side to the back, and thin side to the front, then the chair should work properly.

**If you have any unsolvable problems, please contact us in time, we will do our best to help you solve them.**

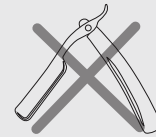
# MAINTENANCE RECOMMENDATION

## Surface Maintenance

Avoid using hard objects to scratch the chair surface. The leather fabric is wear-resistant, but it is easy to be scratched by hard objects. The sharp items such as scissors and razors used in the hair salon need to be placed properly. In addition, guests' zippers and buttons may scratched the leather surface of the barber chair.



Avoid using hard objects to scratch



Scissors and Razors

The leather surface material needs regular care. You can use the leather surface curing agent to spray and wipe the hair surface of the barber chair from time to time for maintenance. If the chair surface is stained with dyes, perm agents and other difficult-to-clean items, you can use cotton cloth Wiping with a little petrol, which can effectively avoid hairdressing chair surface staining.



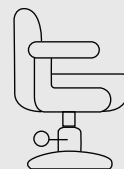
Leather surface curing agent



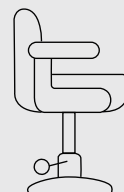
Use cotton cloth Wiping with a little petrol

## Hydraulic Pump Care

The main function is to adjust the height of the barber chair through lifting. Generally, the hydraulic pump will not have any quality problems. When buying the hydraulic pump, be careful not to buy an hydraulic pump that seeps oil. In daily use, please pump up the chair bit by bit from the lowest position. And don't tread the foot lever to the end, which can effectively improve the service life of the hydraulic pump.



Adjust the height



## Base Care

Do not wear on the electroplating base. You cannot use sandpaper or other materials to wipe the barber chair base. The electroplated surface is usually chrome plated, which has the functions of anti-rust and anti-corrosion, so avoid grinding. If there is a bit of rust, you can choose to wipe with a dry cotton cloth. In addition, please clean the base frequently to keep the base clean.

The stainless steel base is relatively easy to care, just wipe it frequently.



Anti-rust and Anti-corrosion



wipe with a dry cotton cloth