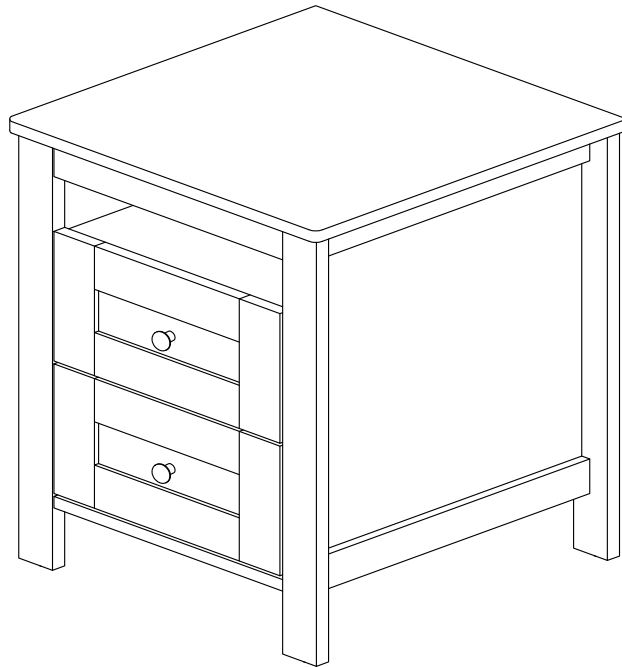


# ASSEMBLY INSTRUCTION

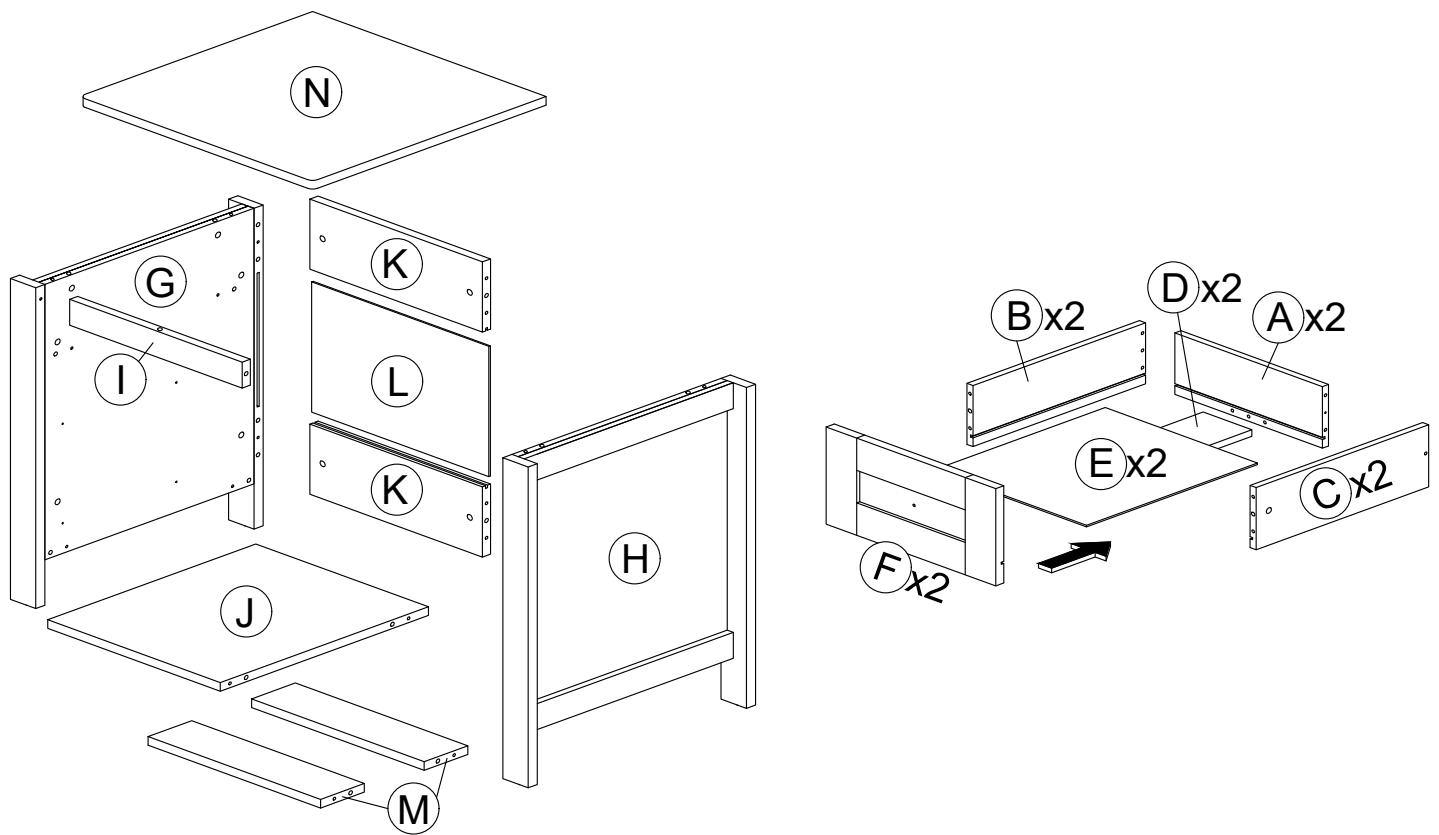
## Nightstand

---



# ASSEMBLY INSTRUCTION

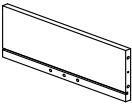
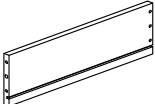
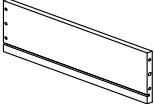
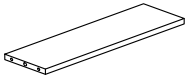
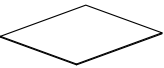
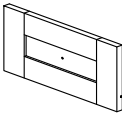
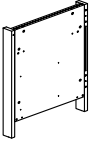
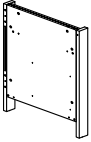
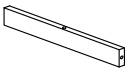
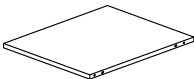
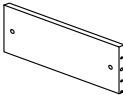
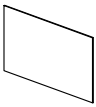
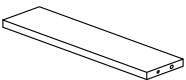
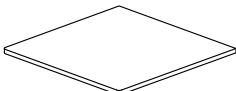
## Nightstand








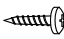


# ASSEMBLY INSTRUCTION

## Nightstand

### PART LIST

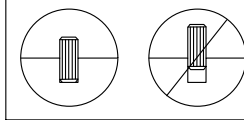
<p style="text-align: center;"><b>A</b></p>  <p style="text-align: center;">Drawer Back 2 PCS</p>	<p style="text-align: center;"><b>B</b></p>  <p style="text-align: center;">Drawer Side L 2 PCS</p>	<p style="text-align: center;"><b>C</b></p>  <p style="text-align: center;">Drawer Side R 2 PCS</p>	<p style="text-align: center;"><b>D</b></p>  <p style="text-align: center;">Drawer Support 2 PCS</p>
<p style="text-align: center;"><b>E</b></p>  <p style="text-align: center;">Drawer Panel 2 PCS</p>	<p style="text-align: center;"><b>F</b></p>  <p style="text-align: center;">Drawer Head 2 PCS</p>	<p style="text-align: center;"><b>G</b></p>  <p style="text-align: center;">Side Panel L 1 PCS</p>	<p style="text-align: center;"><b>H</b></p>  <p style="text-align: center;">Side Panel R 1 PCS</p>
<p style="text-align: center;"><b>I</b></p>  <p style="text-align: center;">Front Support 1 PCS</p>	<p style="text-align: center;"><b>J</b></p>  <p style="text-align: center;">Middle Panel 1 PCS</p>	<p style="text-align: center;"><b>K</b></p>  <p style="text-align: center;">Back Panel Up/Down 2 PCS</p>	<p style="text-align: center;"><b>L</b></p>  <p style="text-align: center;">Back Panel 1 PCS</p>
<p style="text-align: center;"><b>M</b></p>  <p style="text-align: center;">Bottom Support 2 PCS</p>	<p style="text-align: center;"><b>N</b></p>  <p style="text-align: center;">Top Panel 1 PCS</p>		

### HARDWARE LIST

<p style="text-align: center;"><b>1</b></p>  <p style="text-align: center;">Camlock 12MM 25 PCS</p>	<p style="text-align: center;"><b>2</b></p>  <p style="text-align: center;">Camlock Bolt 12MM 25 PCS</p>	<p style="text-align: center;"><b>3</b></p>  <p style="text-align: center;">M6x30MM Wood Dowel 44 PCS</p>	<p style="text-align: center;"><b>4</b></p>  <p style="text-align: center;">CB Screw M3.5x12MM 24 PCS</p>
<p style="text-align: center;"><b>5</b></p>  <p style="text-align: center;">M4x38MM Screw 6 PCS</p>	<p style="text-align: center;"><b>6</b></p>  <p style="text-align: center;">PH Screw #8x16MM 2 PCS</p>	<p style="text-align: center;"><b>7</b></p>  <p style="text-align: center;">Handle 209 2 PCS</p>	<p style="text-align: center;"><b>8</b></p>  <p style="text-align: center;">Drawer Slide 12" 4 PCS</p>

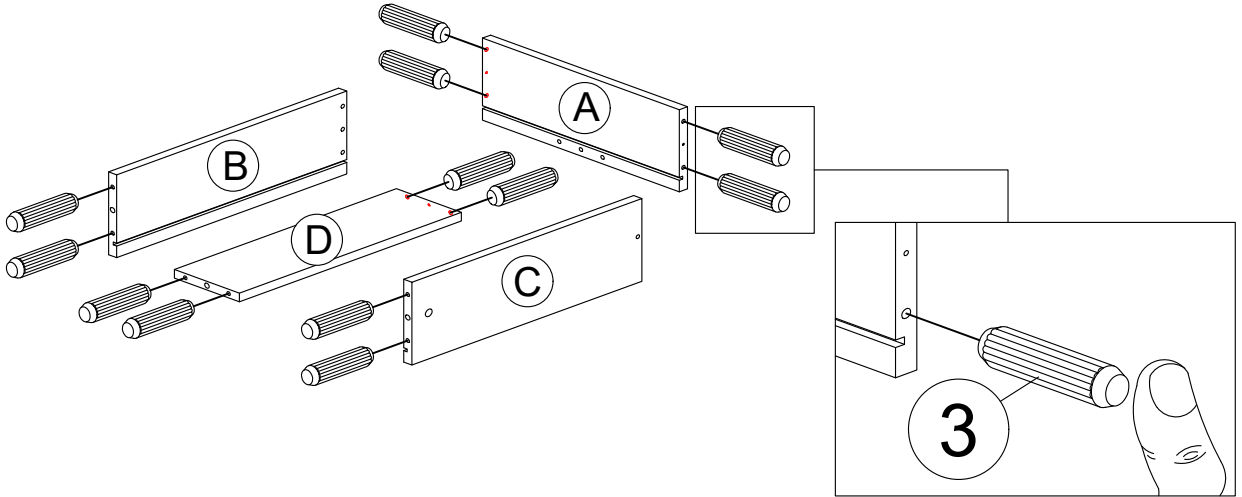
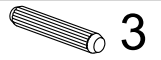
# ASSEMBLY INSTRUCTION

## Step 1



Required/Requis/Requerido

x24

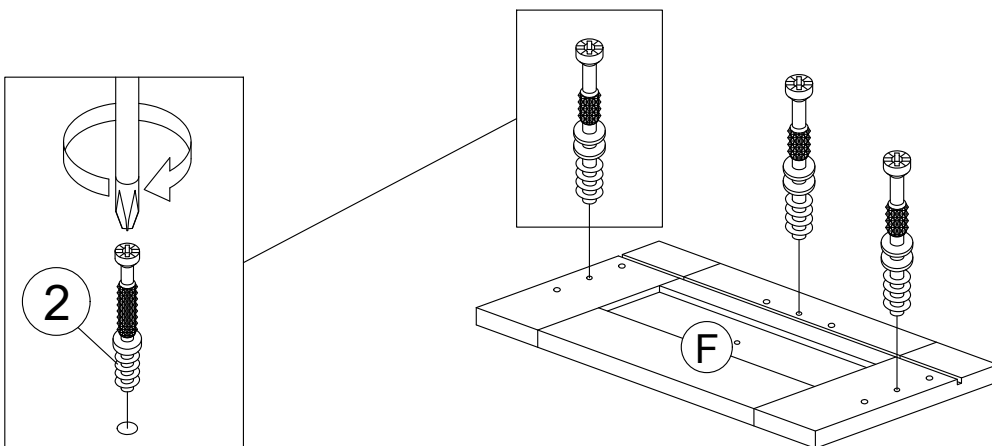


x2

## Step 2

Required/Requis/Requerido

x6



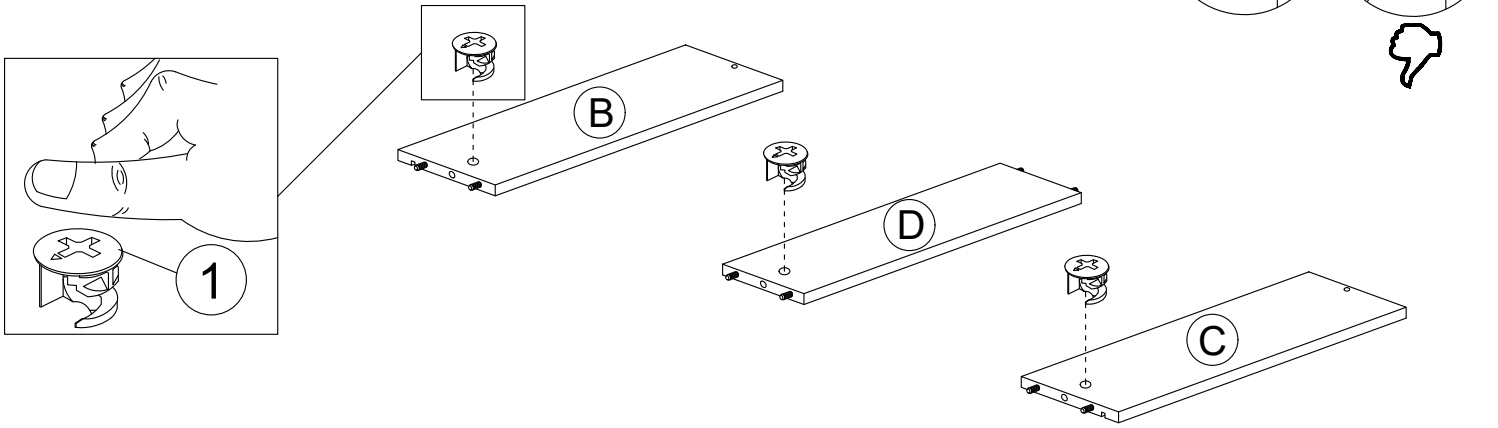
x2

# ASSEMBLY INSTRUCTION

## Step 3

Required/Requis/Requerido

x6

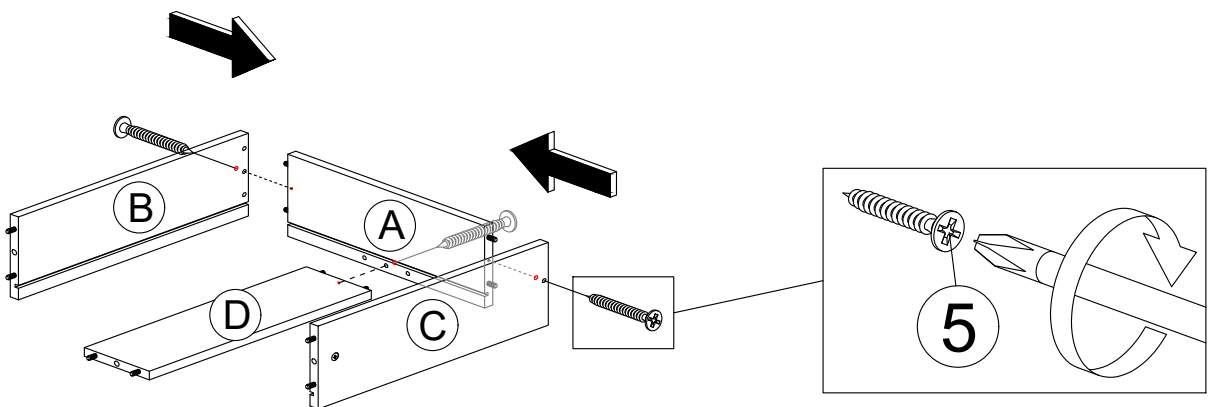


x2

## Step 4

Required/Requis/Requerido

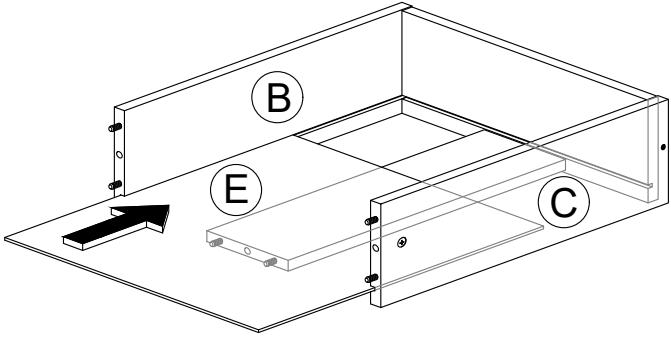
x6



x2

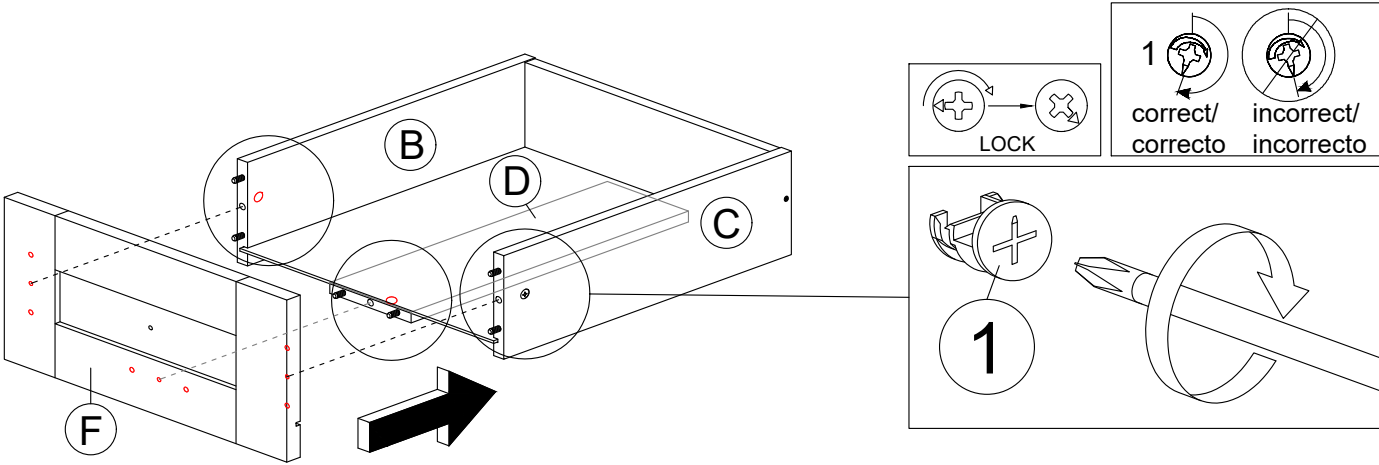
# ASSEMBLY INSTRUCTION

## Step 5



x2

## Step 6




x2

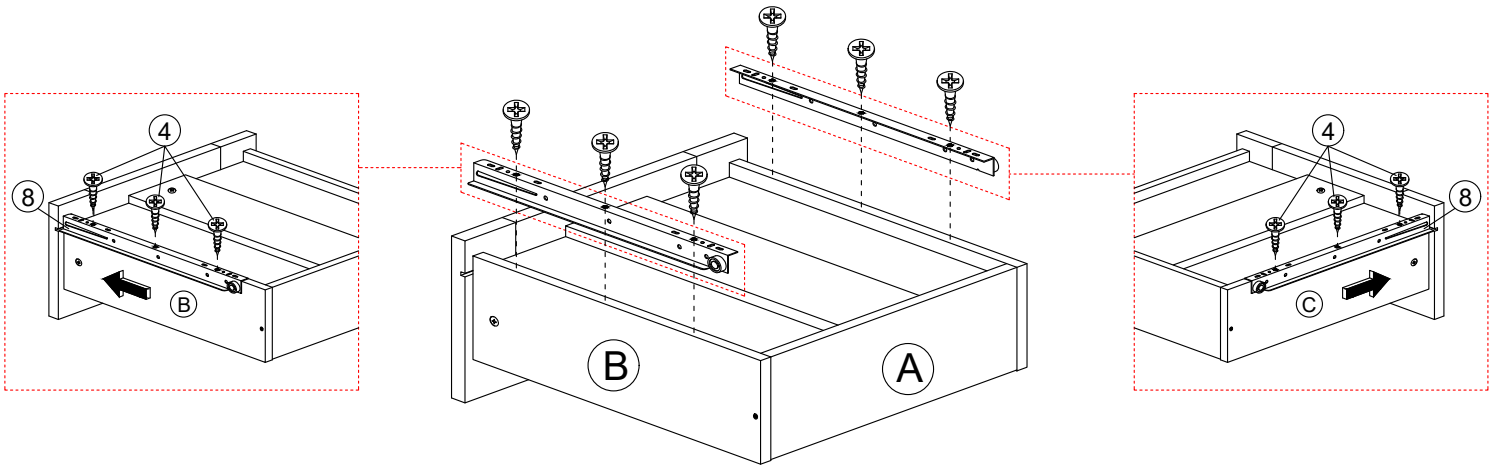
# ASSEMBLY INSTRUCTION

## Step 7

Required/Requis/Requerido

x12  4

x4  8



Bottom View

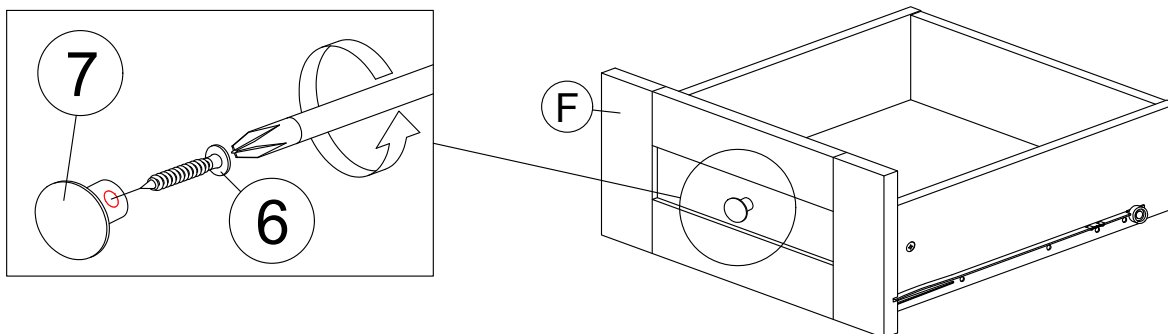
x2

## Step 8

Required/Requis/Requerido

x2  6

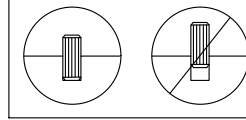
x2  7



x2

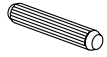
# ASSEMBLY INSTRUCTION

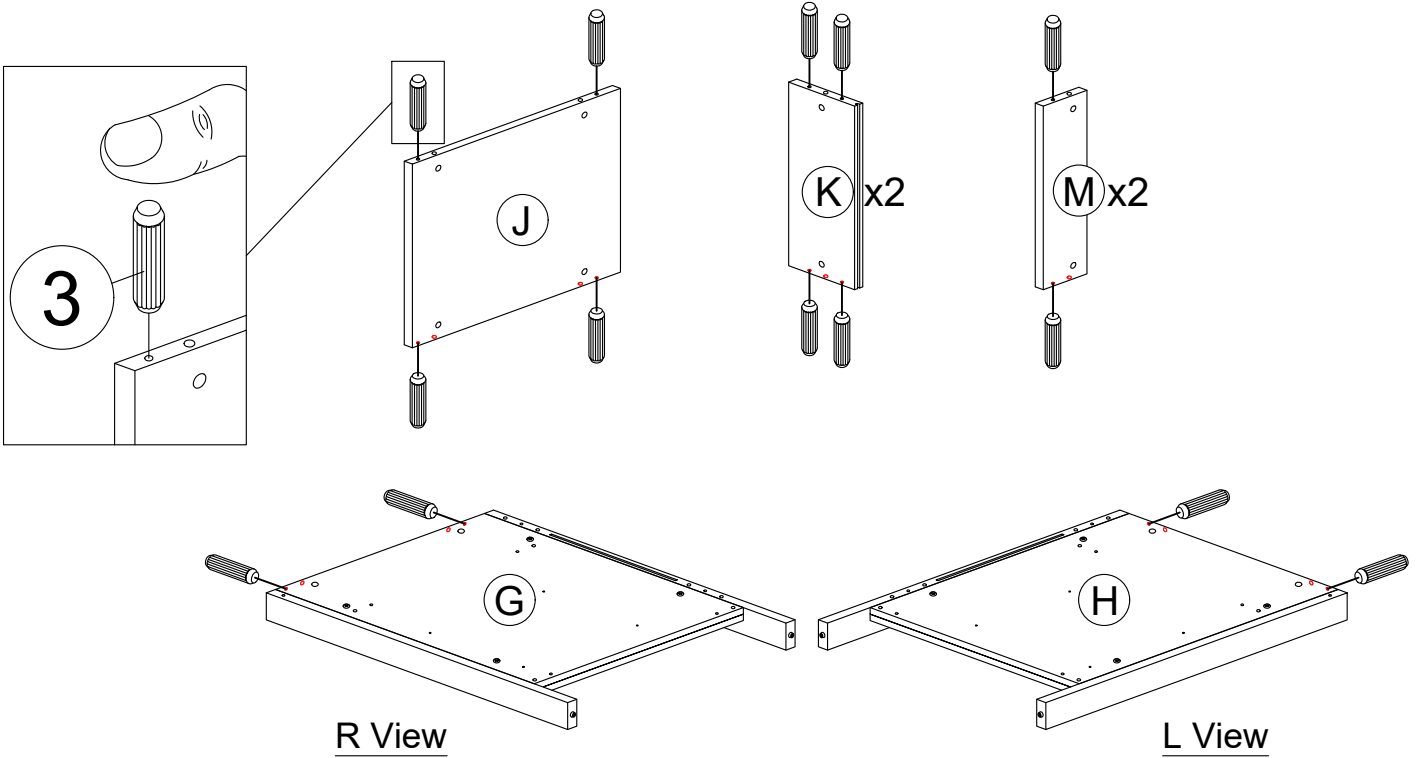
## Step 9



Required/Requis/Requerido

x20

 3

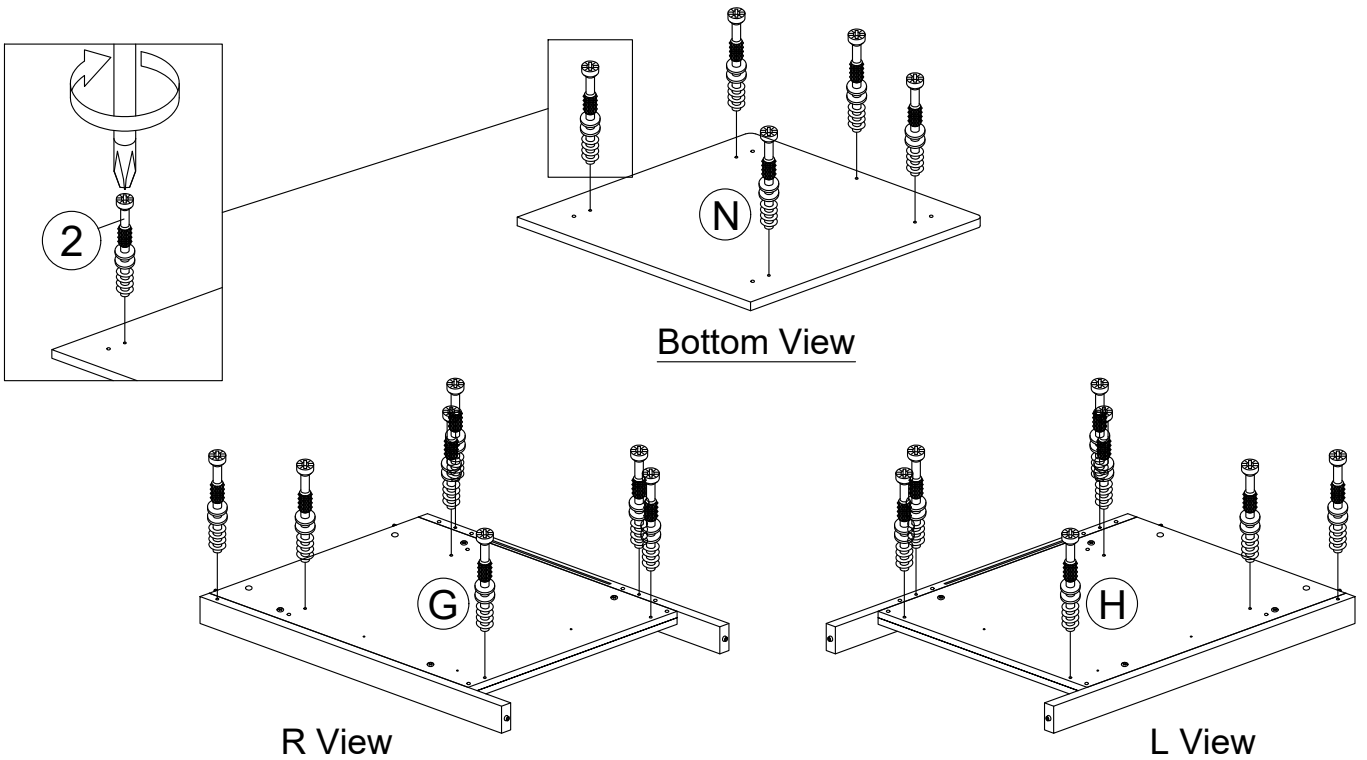


## Step 10

Required/Requis/Requerido

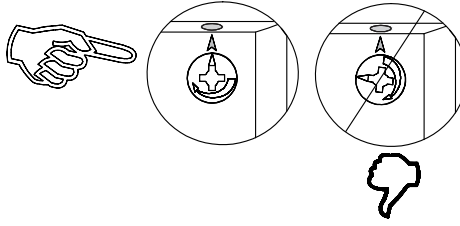
x19

 2



# ASSEMBLY INSTRUCTION

## Step 11

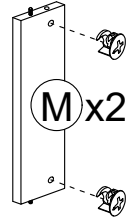
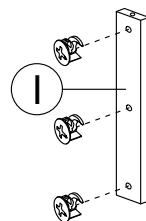
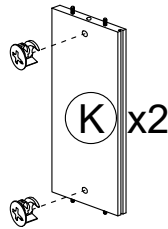
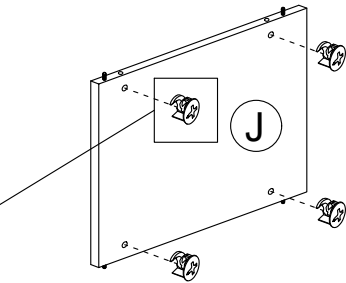
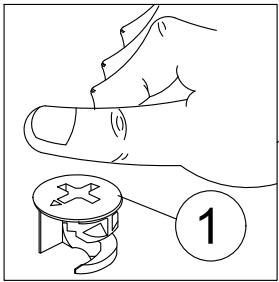


Required/Requis/Requerido

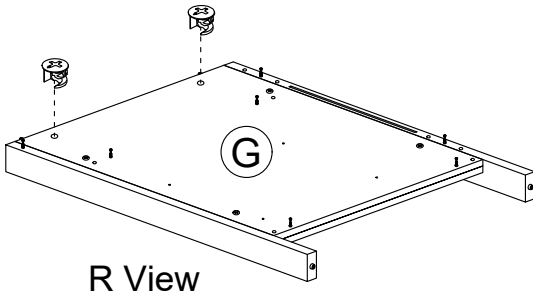
x19



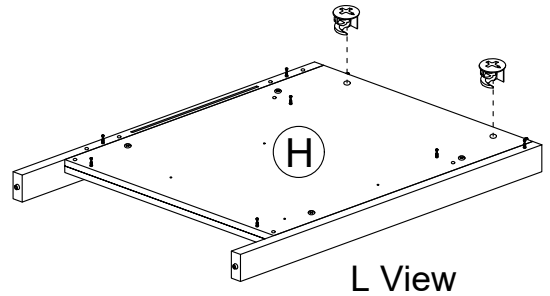
1



Back View



R View



L View

## Step 12

Required/Requis/Requerido

x12

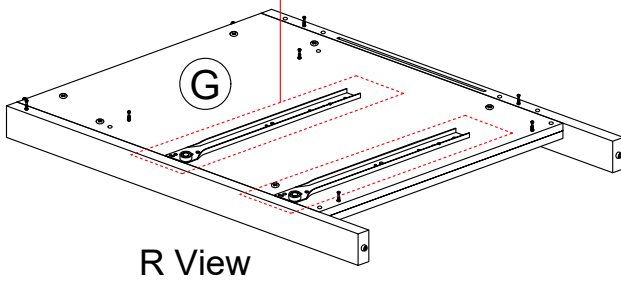
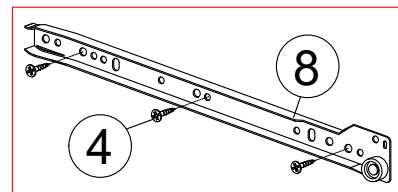
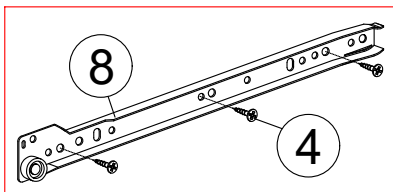


4

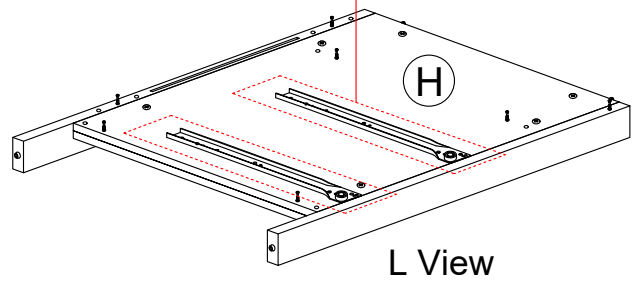
x4



8



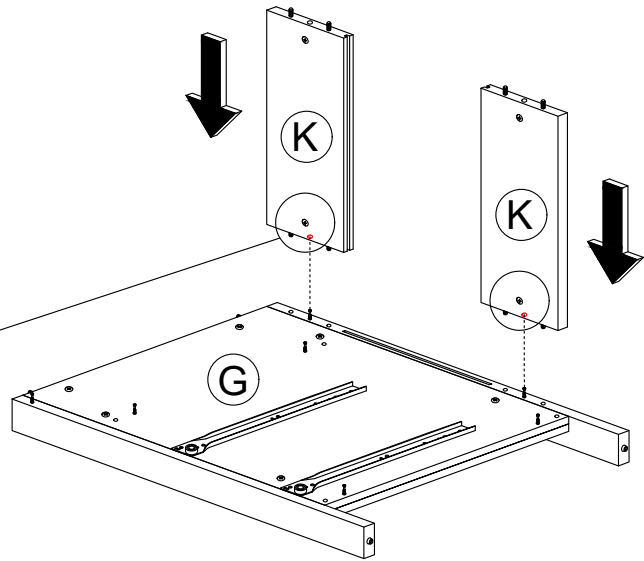
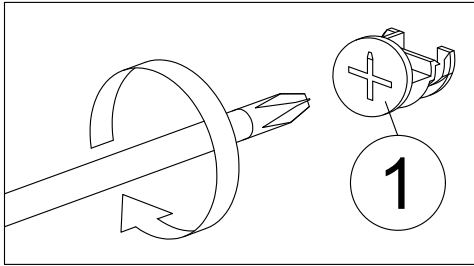
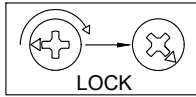
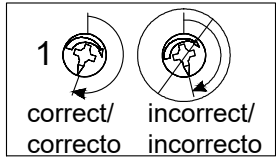
R View



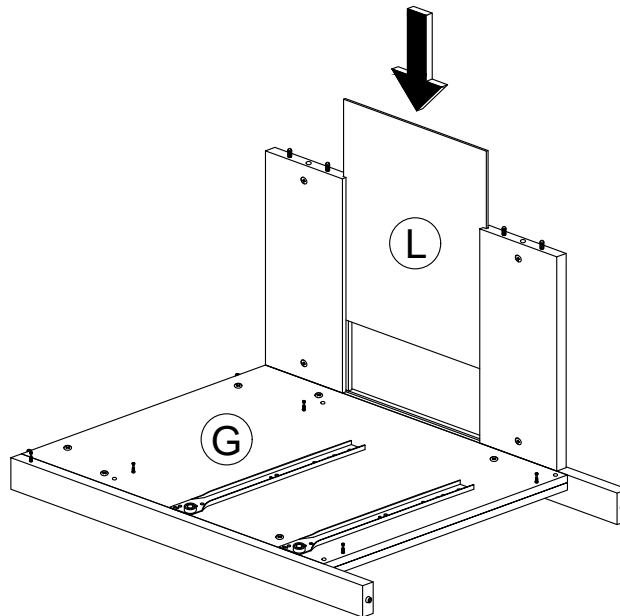
L View

# ASSEMBLY INSTRUCTION

## Step 13

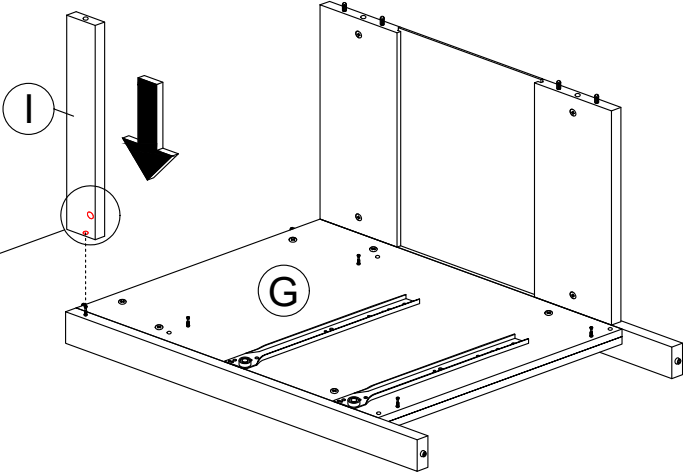
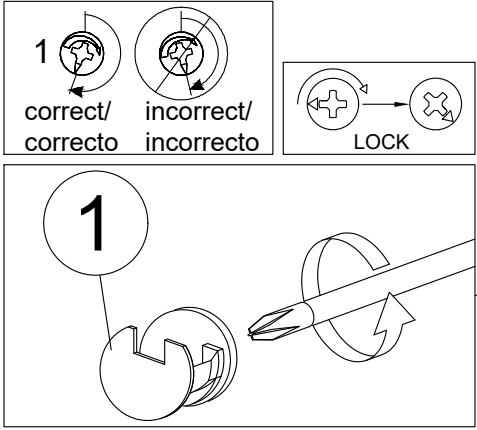


## Step 14

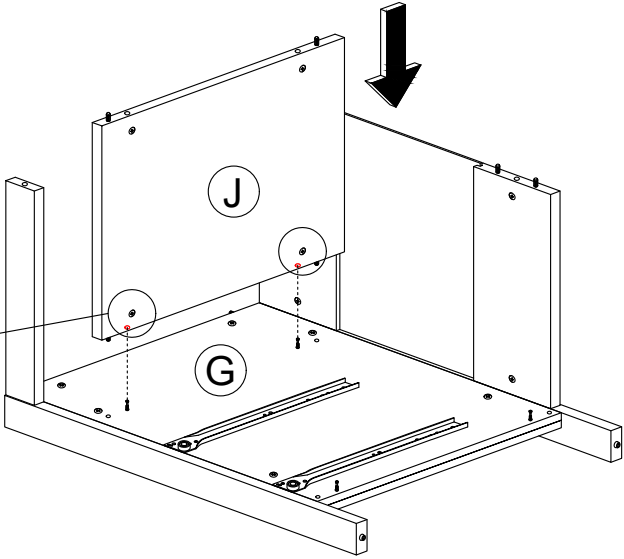
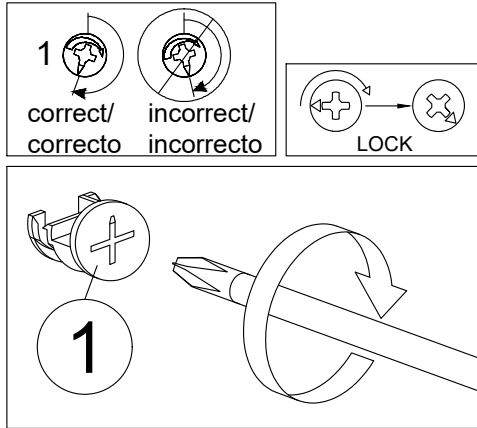


# ASSEMBLY INSTRUCTION

## Step 15

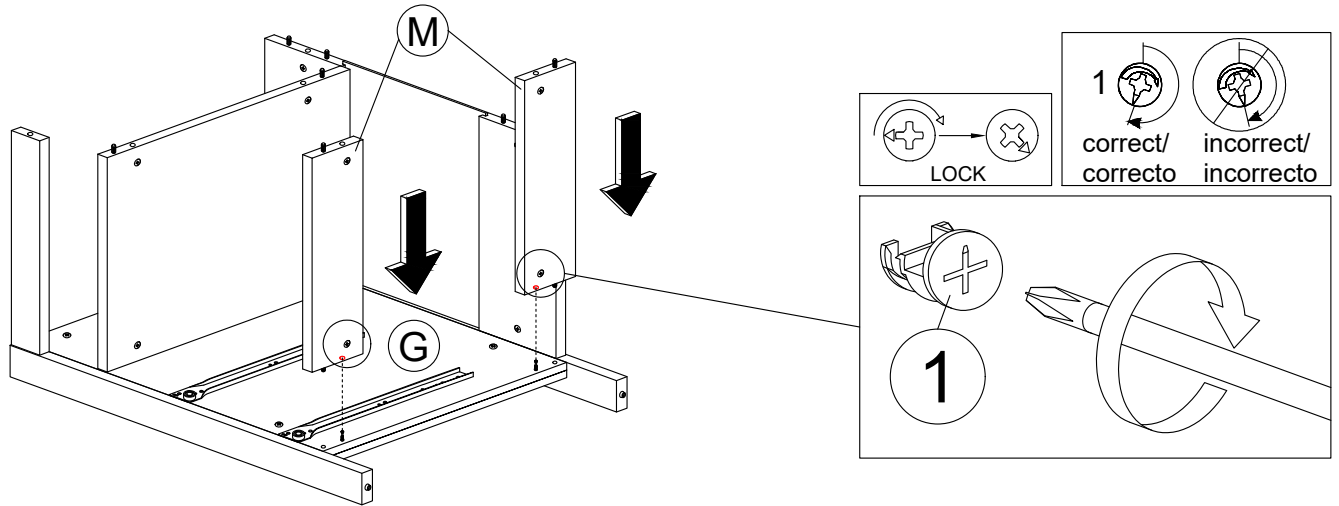


## Step 16

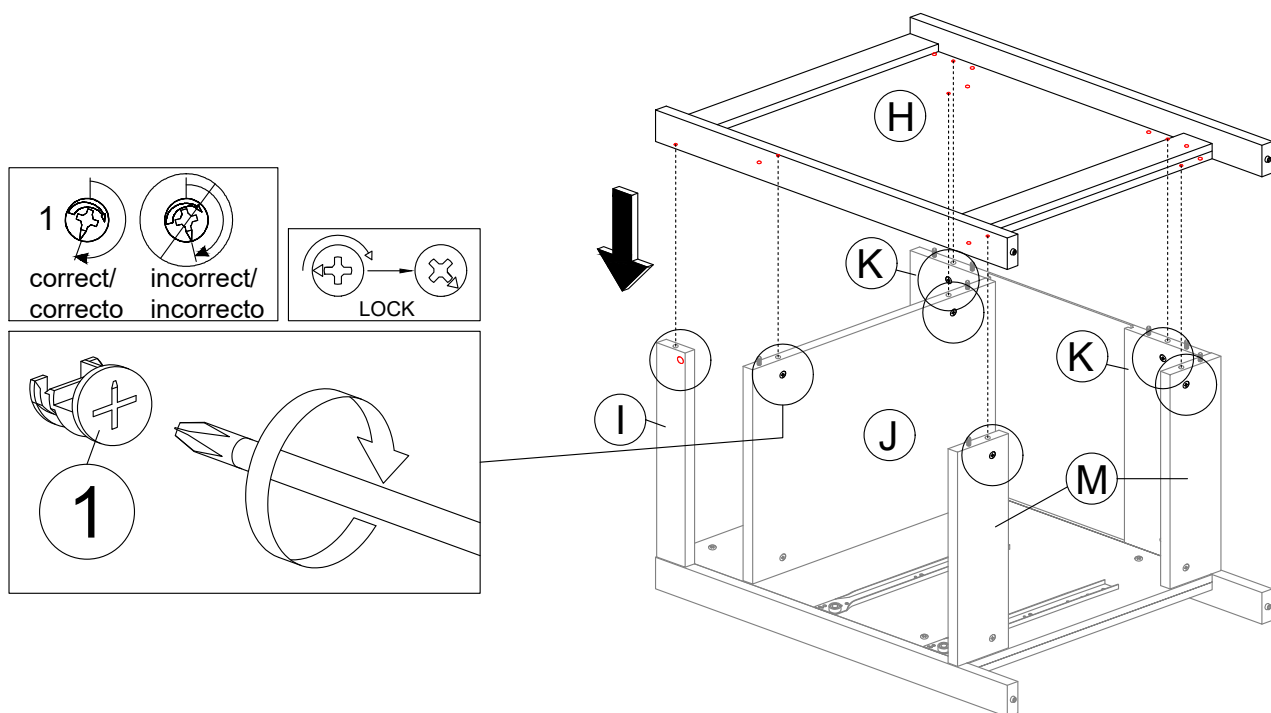


# ASSEMBLY INSTRUCTION

## Step 17

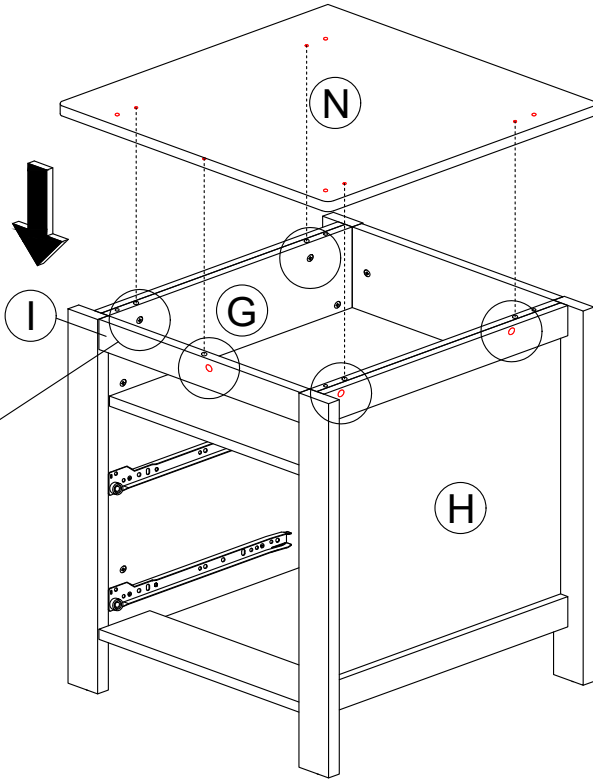
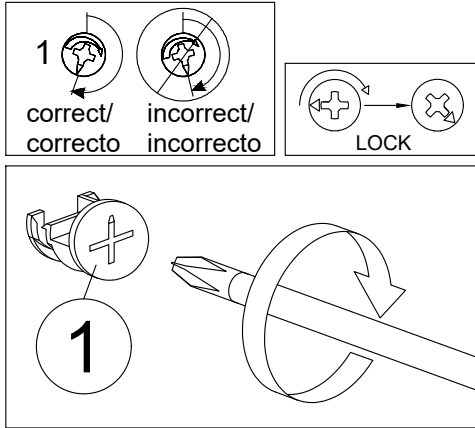


## Step 18

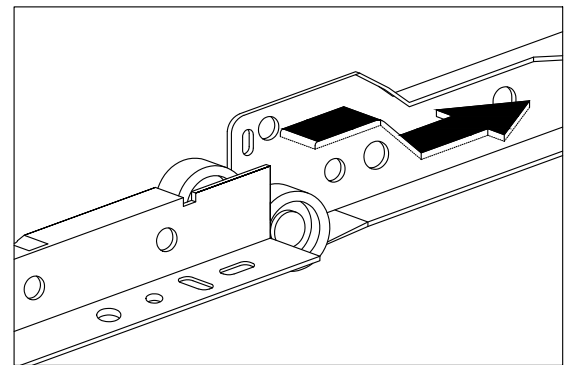
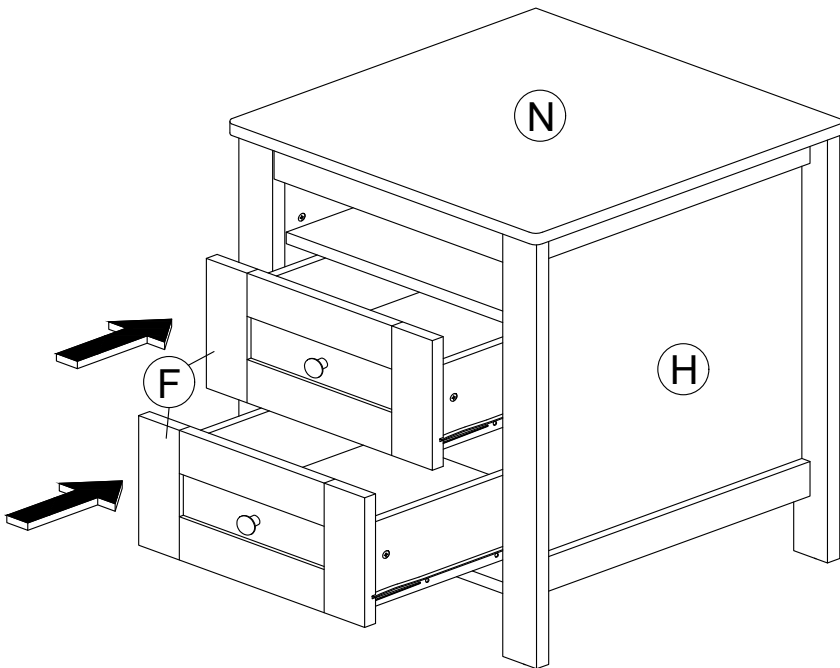


# ASSEMBLY INSTRUCTION

## Step 19



## Step 20



# ASSEMBLY INSTRUCTION

Complete

