
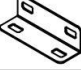

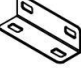

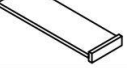

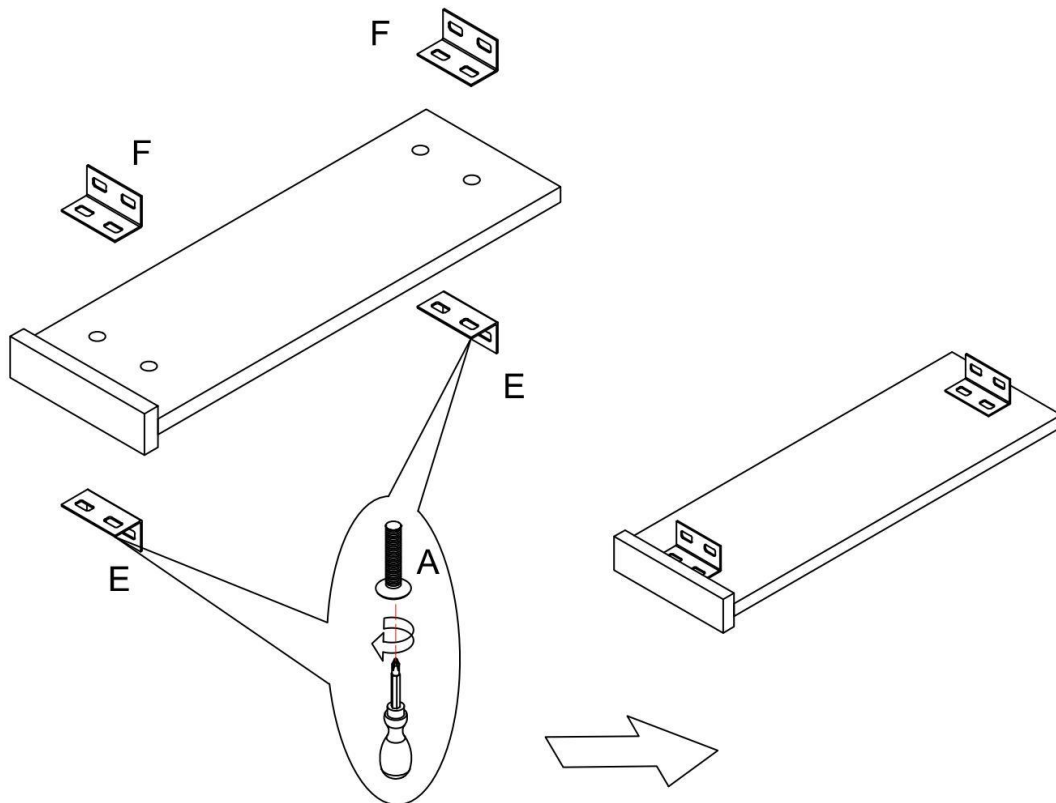


Installation

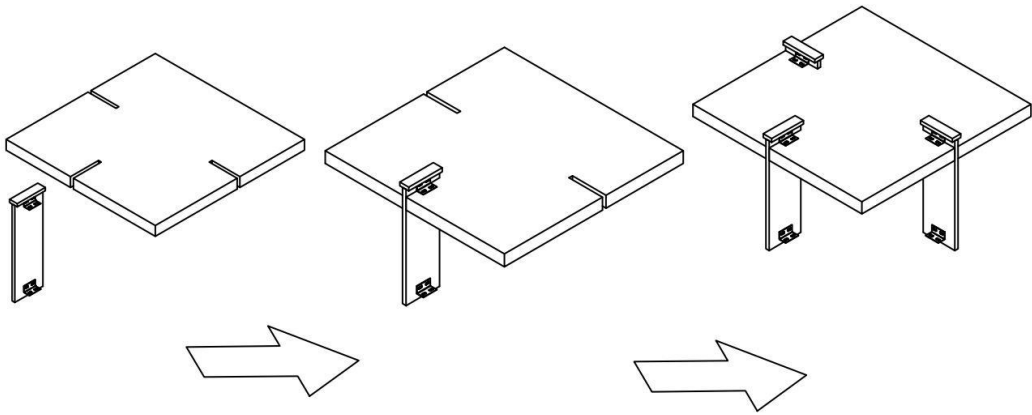
Hardware List				Hardware List		
A		Ø8*16	12	E	 without internal thread	6
B		Ø6*25	24	F	 with internal thread	6
C			24	G		3
D			1			

1 Screw A is screwed in the direction without internal thread

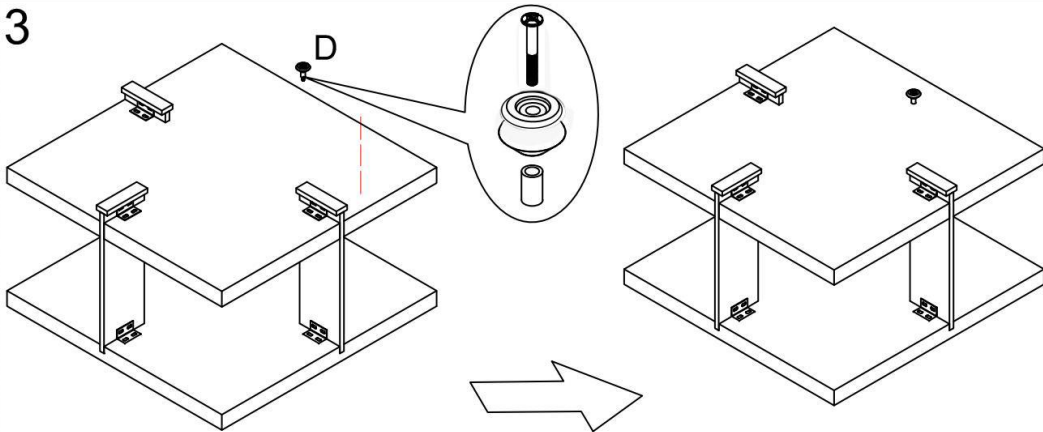


2

install the bottom plate fist.

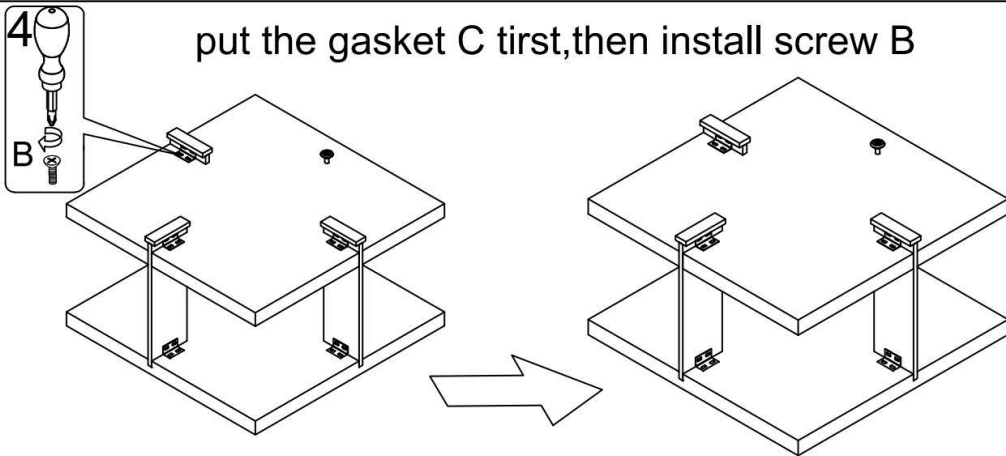


3



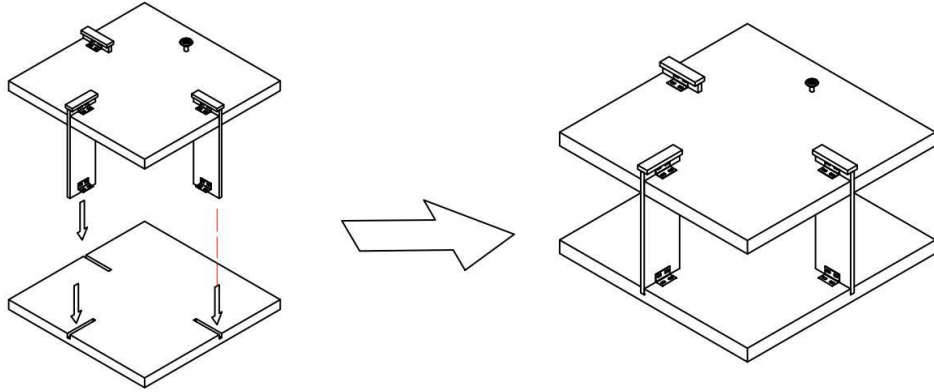
4

put the gasket C first, then install screw B



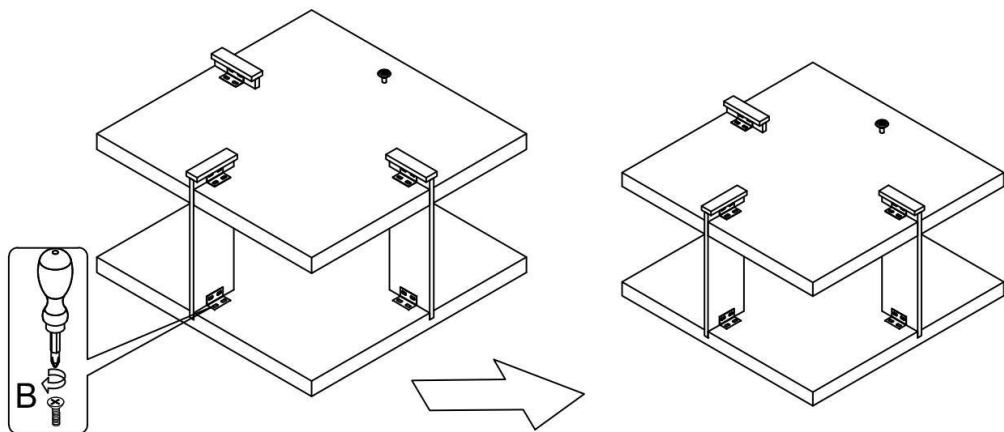
5

It might take two people to lift it



6

put the gasket C first, then install screw B



7

