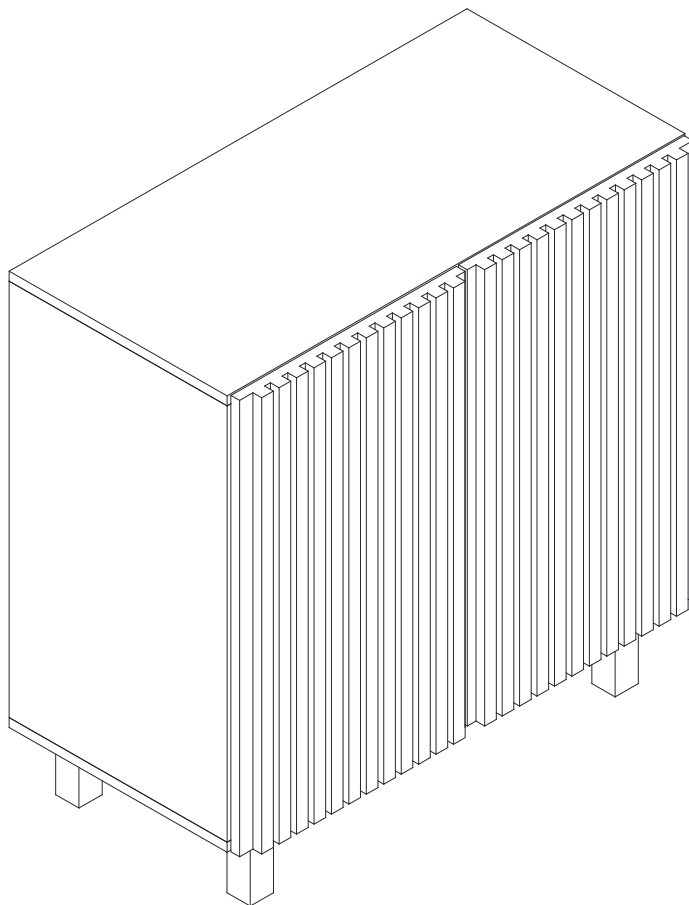


# Instruction manual

## Nia 75cm 2 Door Sideboard, Washed Oak

[www.laura-james.co.uk](http://www.laura-james.co.uk)

1702090.11



# CONTENTS

---

Safety and care advice	<b>1</b>
Components	<b>2</b>
Assembly instructions	<b>4</b>
Copyright	<b>12</b>

# ⚠ SAFETY AND CARE ADVICE ⚠

---

## PLEASE READ THESE INSTRUCTIONS CAREFULLY AND KEEP FOR FUTURE REFERENCE

- **Warning:** Please lift with care.
- Check you have all the components and tools listed on pages 2 and 3.
- Remove all fittings from the plastic bags and separate them into their groups.
- Keep children and animals away from the work area, small parts could choke if swallowed.
- Make sure you have enough space to lay out the parts before starting.
- Do not stand or put weight on the product, this could cause damage.
- Assemble the item as close to its final position (in the same room) as possible.

- Assemble on a soft level surface to avoid damaging the unit or your floor (use opened out unit carton).



- We do not recommend the use of power drill/drivers **for inserting screws**, as this could damage the unit. Only use hand screwdrivers.
- Dispose of all packaging carefully and responsibly.

## CARE AND MAINTENANCE

---

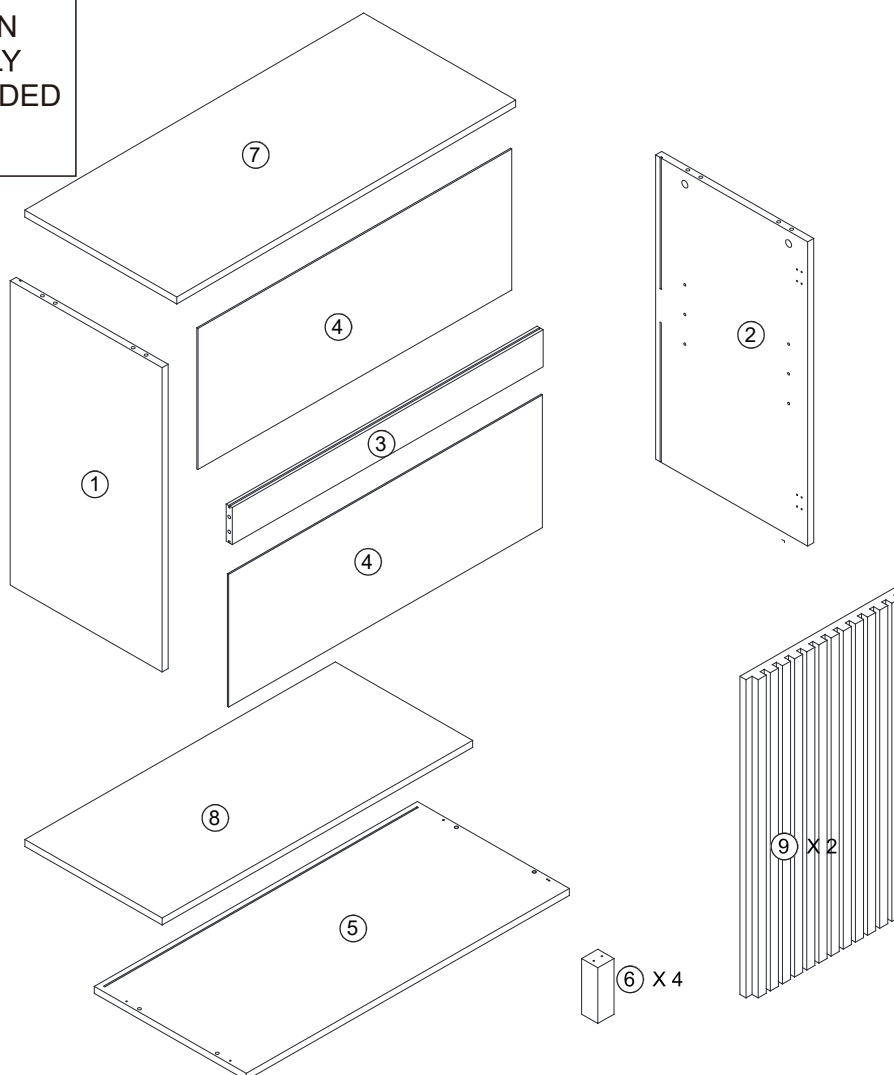
- Only clean using a damp cloth and mild detergent, do not use bleach or abrasive cleaners.
- From time to time check that there are no loose screws on this unit.

- This product should not be discarded with household waste. Take to your local authority waste disposal center.

**Note** *If required the next page can be cut out and used as reference throughout the assembly. Keep this page with these instructions for future reference.*

# COMPONENTS

Ensure the following components are in the box before proceeding with assembly:



## PANEL LIST

<b>1</b>	Left Side Panel	x1	<b>9</b>	Door Panel	x2
<b>2</b>	Right Side Panel	x1			
<b>3</b>	Back Rail	x1			
<b>4</b>	Back Panel	x2			
<b>5</b>	Bottom Panel	x1			
<b>6</b>	Leg	x4			
<b>7</b>	Top Panel	x1			
<b>8</b>	Shelf Panel	x1			

# COMPONENTS — FITTINGS

Please check you have all the fittings listed below:



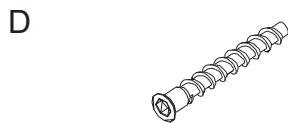
Peg M6\*35mm x8



Lock M15\*10mm x8



Dowel M6\*30mm x8



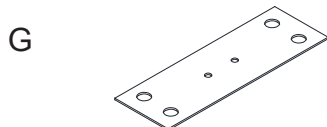
Screw M7\*40mm x4



Allen Key x1



Screw M6\*12mm x16



Metal Sheet x4



Screw M5\*40mm x8



Screw M4\*14mm x2



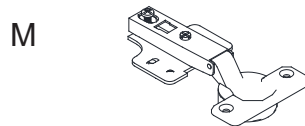
Shelf Supports x4



Panel Stiffener x8



Screw M3\*16mm x8



Hinge x4



Screw M4\*14mm x24





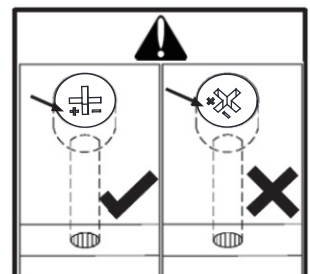
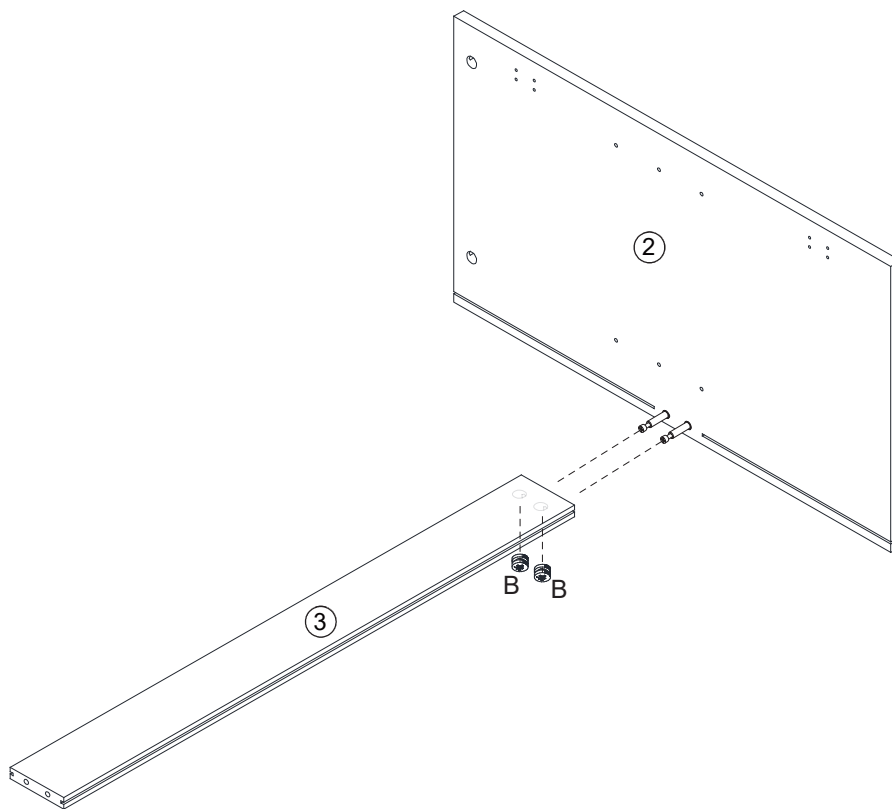
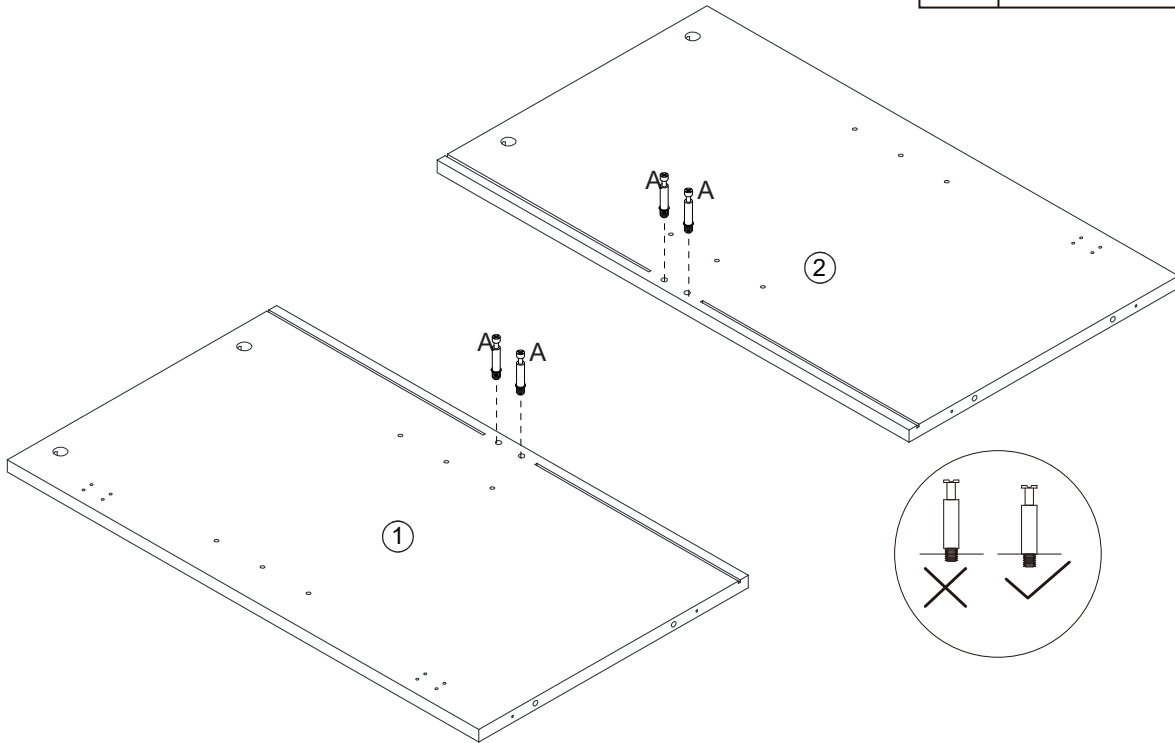
Anti-Tip Straps x2



# ASSEMBLY INSTRUCTIONS





Step 1

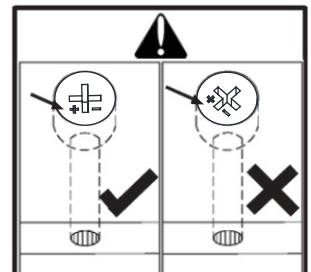
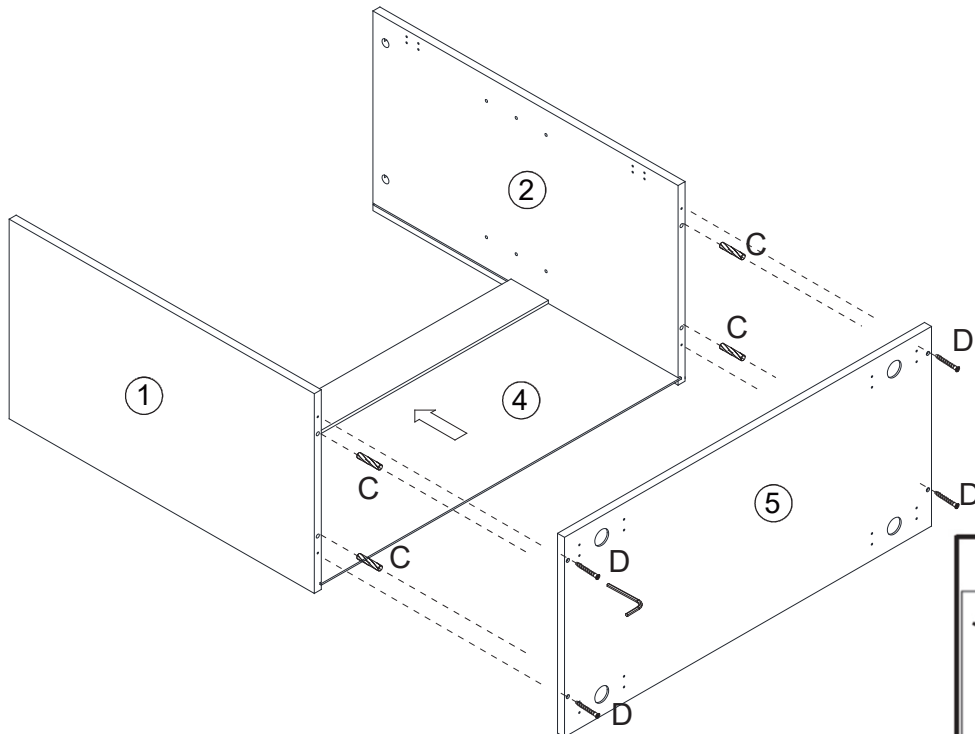
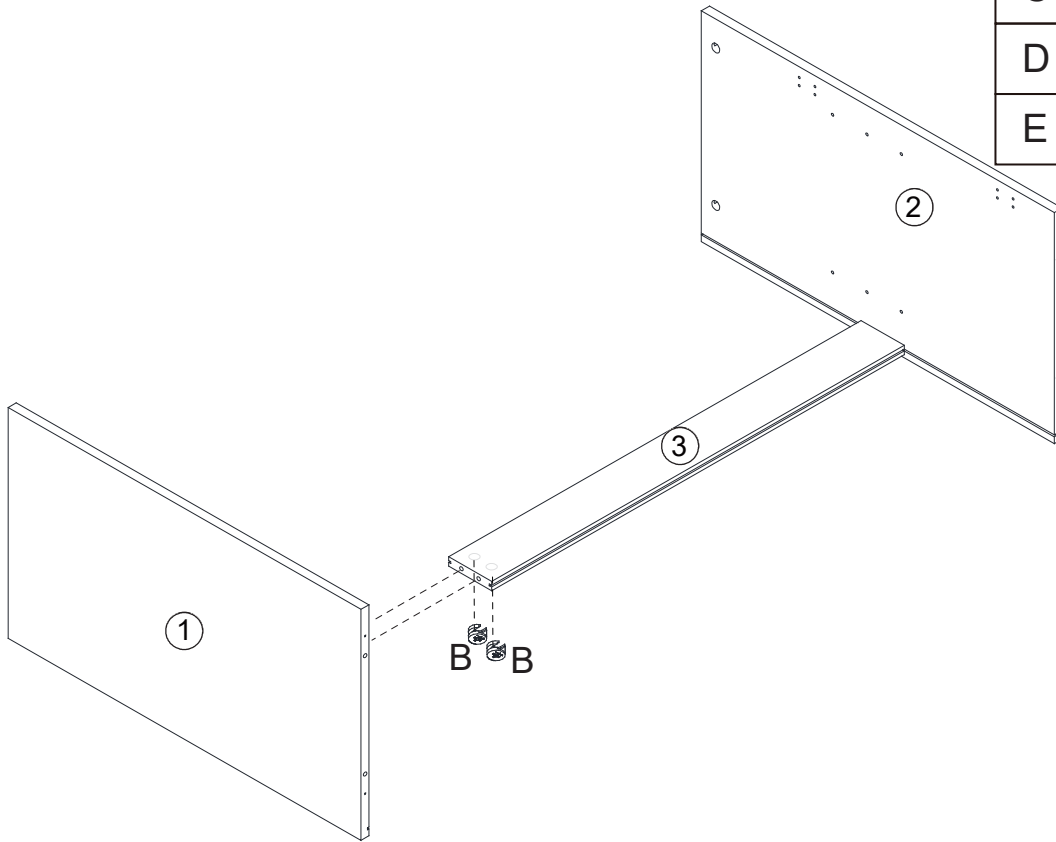
A		4
B		2



# ASSEMBLY INSTRUCTIONS

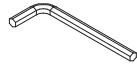
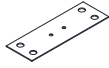
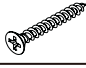

Step 2

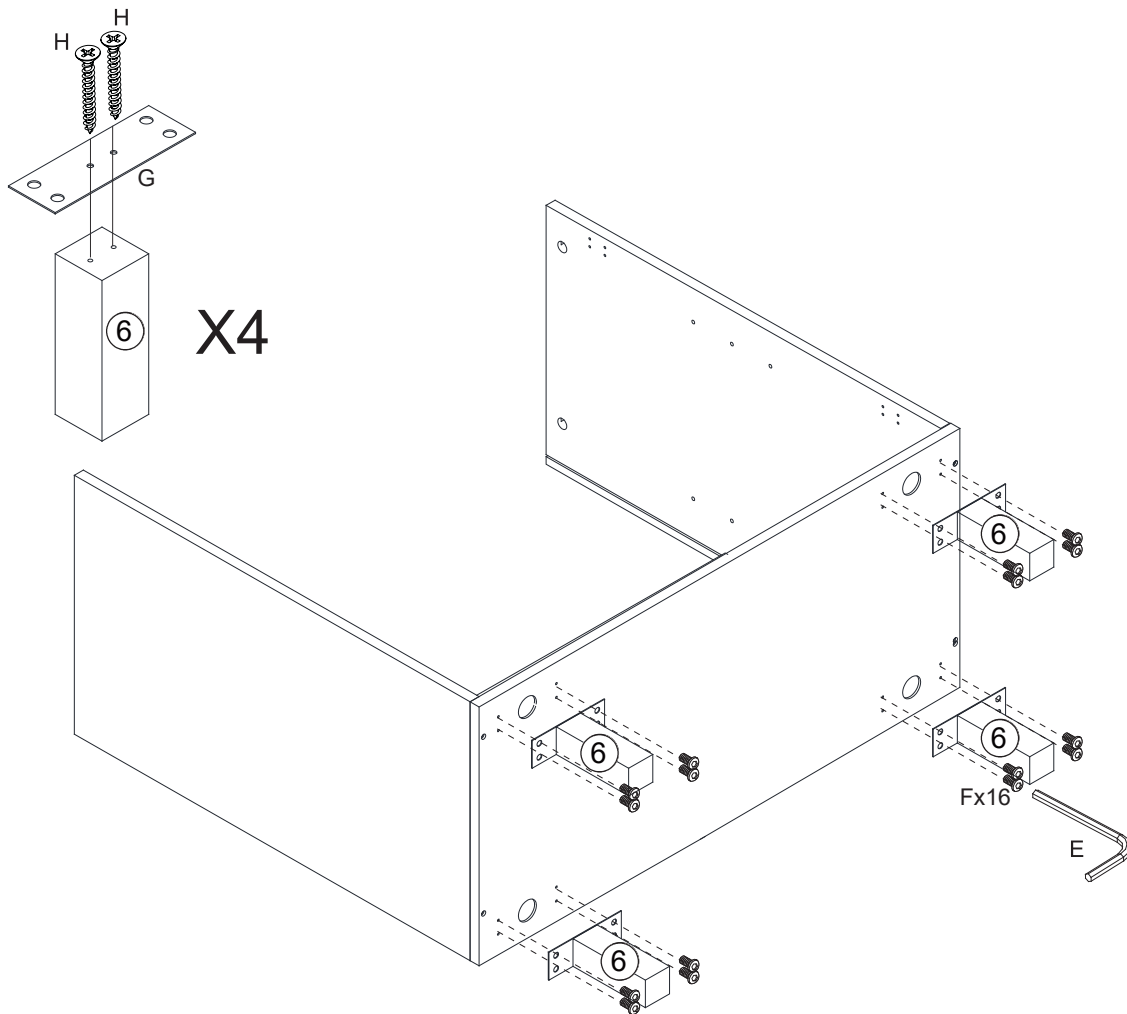
B		2
C		4
D		4
E		1



# ASSEMBLY INSTRUCTIONS




Step 3

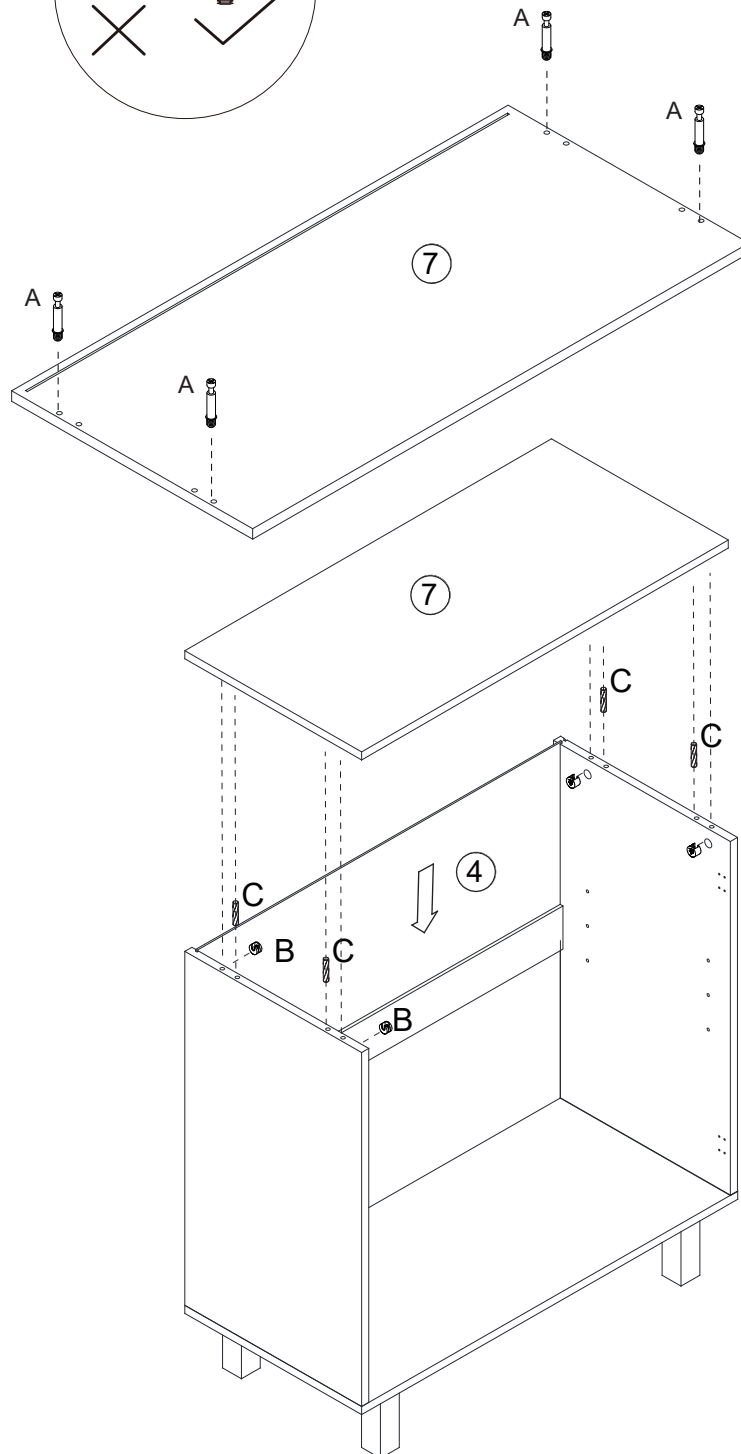
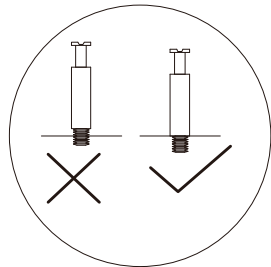
E		1
G		4
H		8
F		16



# ASSEMBLY INSTRUCTIONS

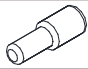


Step 4

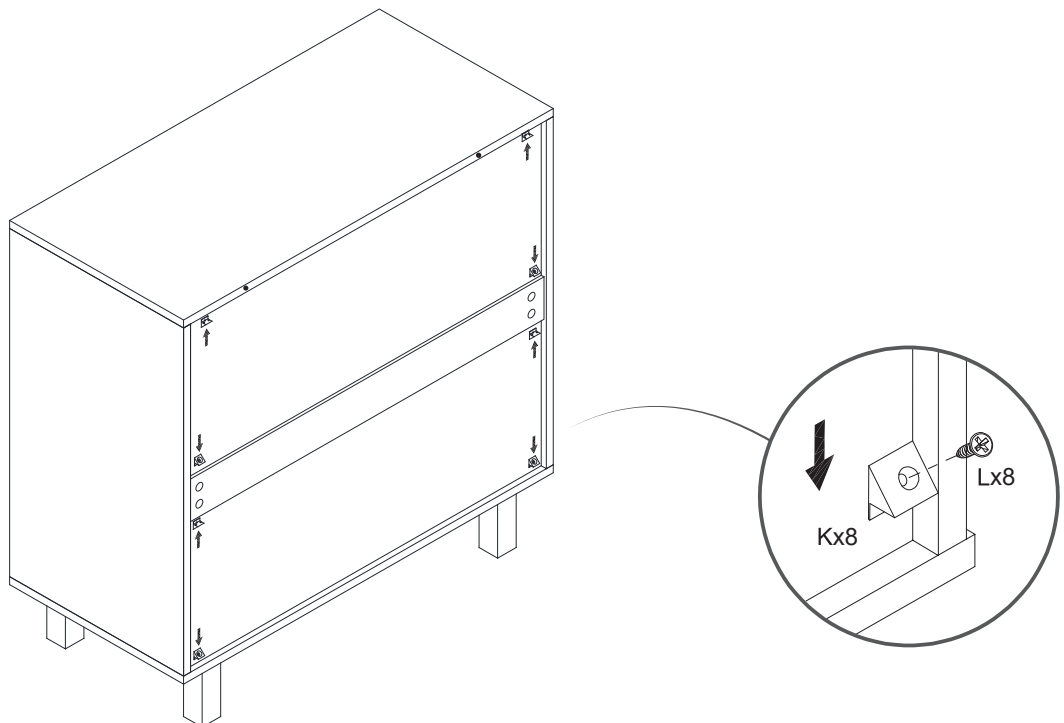
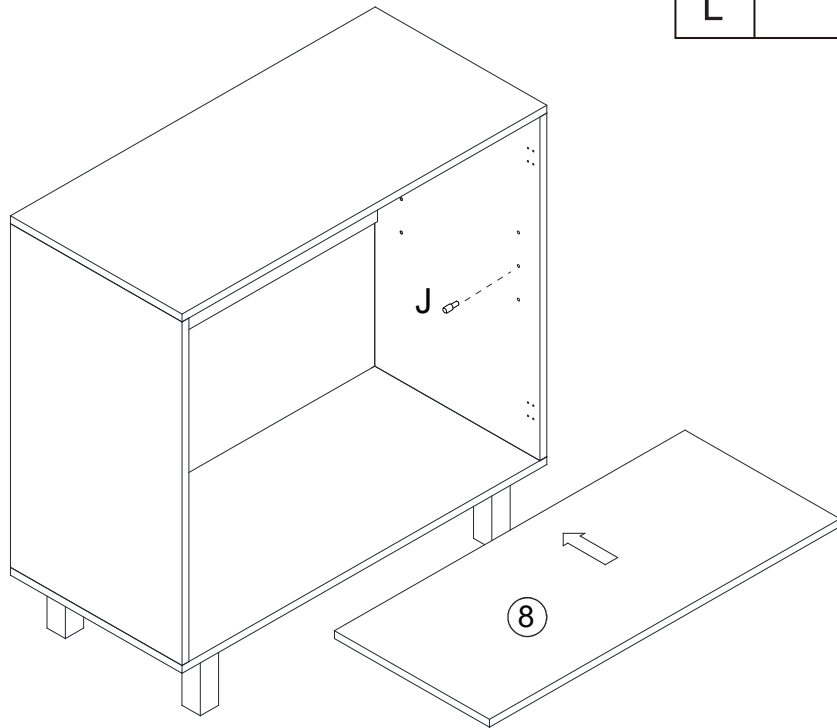
A		4
B		4
C		4



# ASSEMBLY INSTRUCTIONS



Step 5

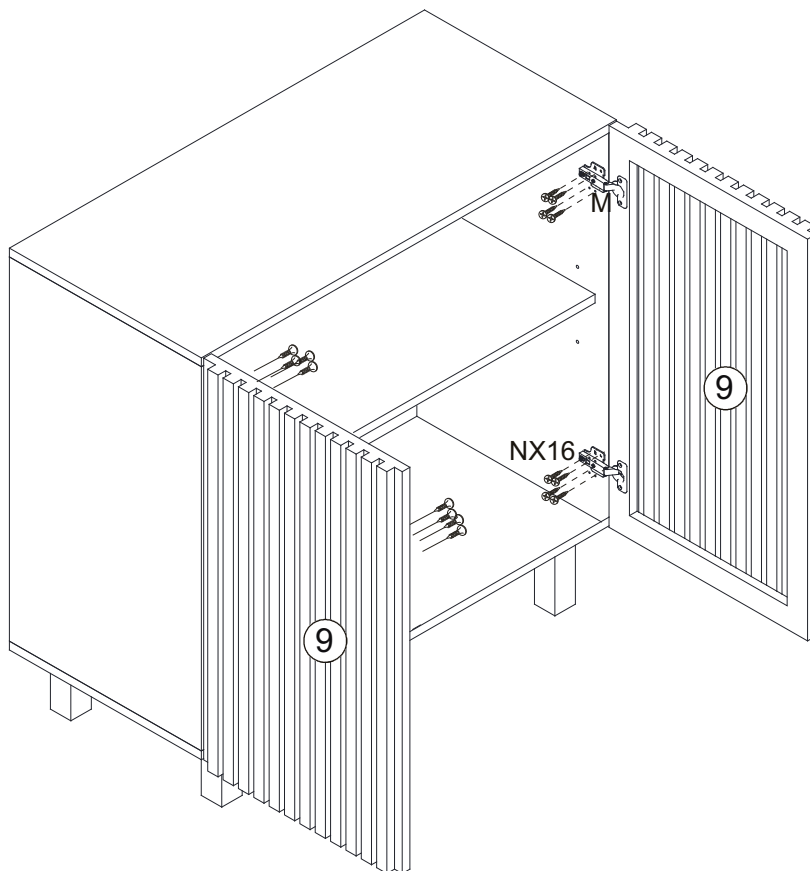
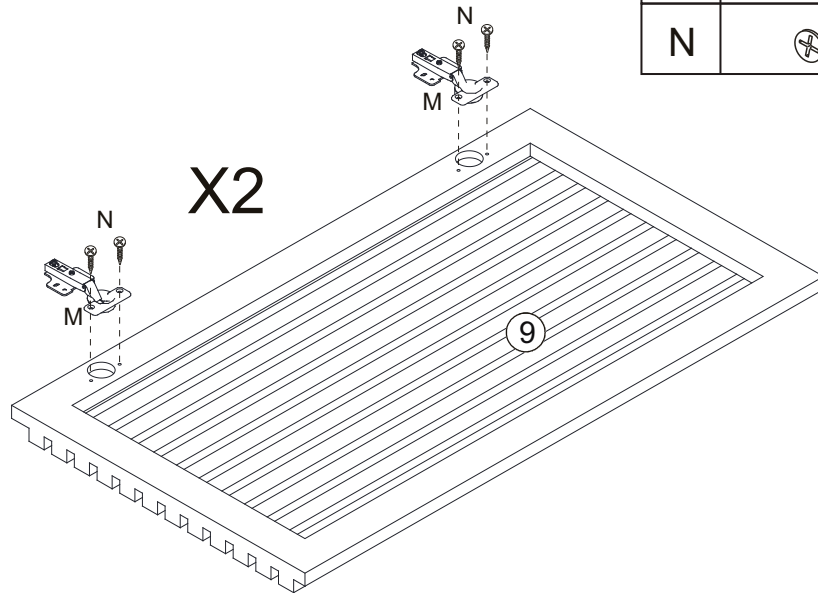
J		4
K		8
L		8



# ASSEMBLY INSTRUCTIONS

Step 6

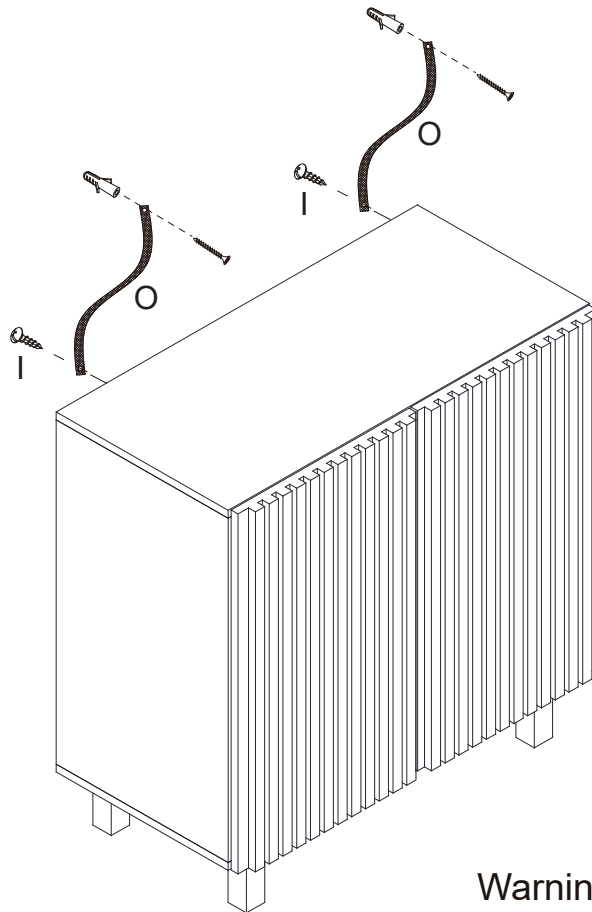
M		4
N		24



# ASSEMBLY INSTRUCTIONS

Step 7

0		2	1		2
---	---	---	---	---	---



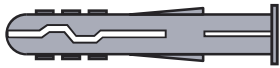
## Warning !

Wall Plug and screws are not provided.  
If you are in any doubt about the  
correct fixings for your wall,  
seek professional advice.

# A Guide to - Wall Mounting & Fixings

## Important note:

If plastic wall plugs are supplied with your product:



- these are only suitable for use in masonry walls.

If you are in any doubt about the correct wall plugs for your wall, seek professional advice.

Failure of the product due to using incorrect fixings is the responsibility of the installer.



**Important:** When drilling into walls always check that there are no hidden wires or pipes etc.

Make sure that the screws and wall plugs being used are suitable for supporting your unit. Consult a qualified person if you are unsure.

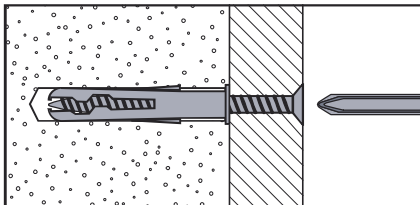
## Hints:

- 1: General rule:** ⚠ Always use a larger screw and wall plug if you are not sure.
- 2:** Ensure you use the recommended drill bit to match the wall plug and hole size.
- 3:** Ensure you drill the hole horizontally, do not force the drill or enlarge the hole.
- 4:** Take extra care when drilling high walls, ceilings and ceramic tiles. Ensure wall plugs are inserted beyond the thickness of the ceramic tiles to avoid the tiles splitting or cracking.
- 5:** Ensure wall plugs are well fitted and are a tight fit in the drilled hole.

## Types of walls

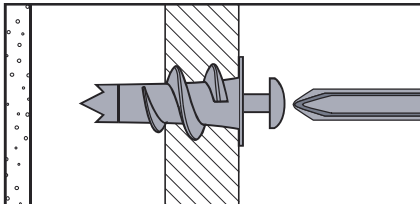
You can use one of the following types of wall plug if your walls are made of brick, breeze block, concrete, stone or wood.

### No.1 "General Purpose" wall plug



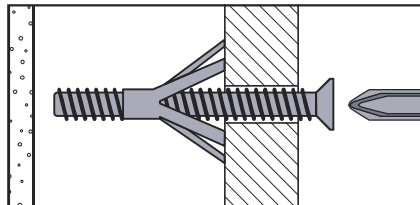
Generally aerated blocks should not be used to support heavy loads, use a specialist fitting in this case. For light loads, general purpose wall plugs can be used.

### No.2 "Plasterboard" wall plug



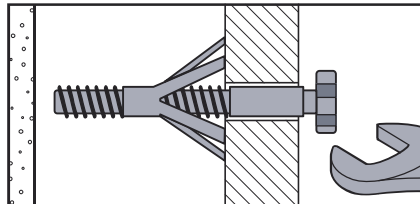
For use when attaching light loads on to plasterboard partitions.

### No.3 "Cavity Fixing" wall plug



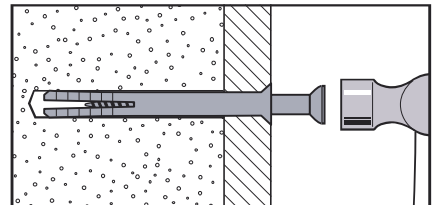
For use with plasterboard partitions or hollow wooden doors.

### No.4 "Cavity Fixing-Heavy Duty" wall plug



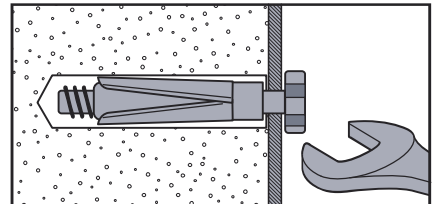
For use when fitting or supporting heavy loads such as shelving, wall cabinets and coat racks.

### No.5 "Hammer Fixing" wall plug



For use with walls stuck with plasterboard. The hammer fixing allows it to be fixed to the wall rather than the plasterboard. Always check the fixing is secure to the retaining wall.

### No.6 "Shield Anchor" wall plug Heavy loads



For use with heavier loads such as TV & HiFi speakers and satellite dishes etc.



## Care & Maintenance

**Safety:** Always check the fitting and location to ensure your safety in and around the home.

**Fitting:** From time to time check the fitting to ensure the wall plugs or screws do not become loose.

# IF YOU FIND A DEFECTIVE PART

---

We fully stock all parts and components. Any defective part can be quickly replaced. Take note of the defective part number in manual and we will arrange a replacement.

You can email our team at [customercare@laura-james.co.uk](mailto:customercare@laura-james.co.uk)

## COPYRIGHT

---

All material in this instruction manual is copyrighted by AGTC Ltd.

Any unauthorised use may violate worldwide copyright, trademark and other laws.

Thank you for purchasing!

Laura James® is a registered trademark of AGTC Ltd.  
Made in China for AGTC LTD S35 9ZX

---

Laura James

[www.laura-james.co.uk](http://www.laura-james.co.uk)