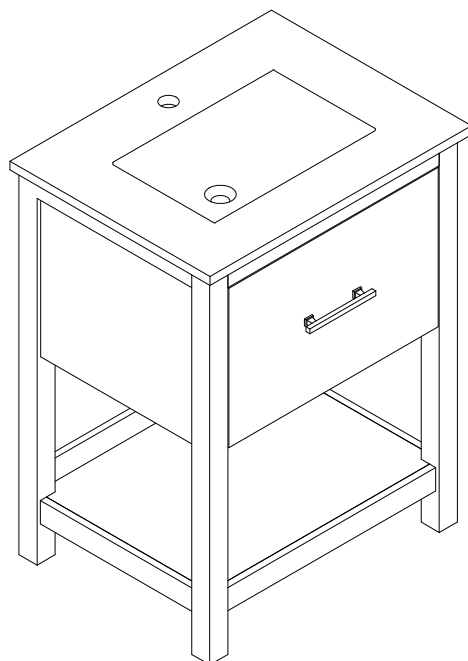


Calais 25" Single Vanity With One Drawer

White OAK

ASSEMBLY INSTRUCTIONS



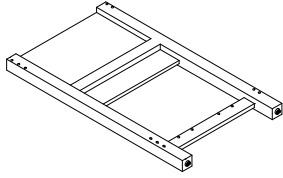
Thank you for purchasing this quality product. Be sure to check all packing material carefully for small parts, which may have come loose inside the carton during shipment. Count all parts and material hardware, then compare with parts list to be sure all parts are present. If any parts are missing or damaged, phone, fax, or mail to our Customer Service Department for efficient and speedy service. Please indicate the model number and code letter of part(s) needed.

NOTE: In order to prevent damage during assembly, please assemble this item with at least two people.

IMPORTANT NOTE: Follow instructions listed below in proper sequence as numbered to assure fast, easy and correct assembly.

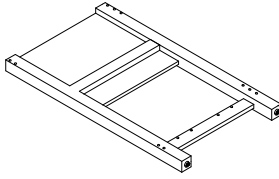
PARTS LIST

1



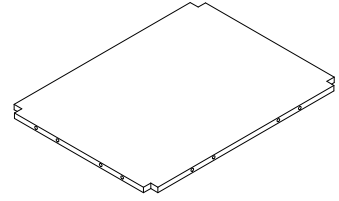
LEFT PANEL-1PC

2



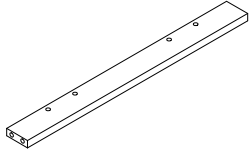
RIGHT PANEL-1PC

3



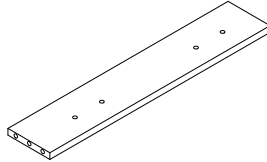
SHELF PANEL-1PC

4



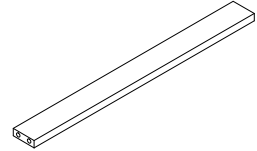
SHELF RAIL FRONT-1PC

5



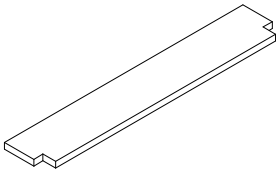
SHELF RAIL BACK -1PC

6



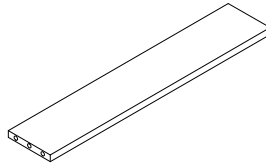
TOP FRONT PANEL -1PC

7



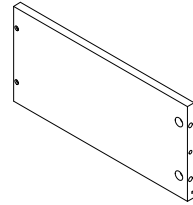
MIDDLE FRONT PANEL -1PC

8



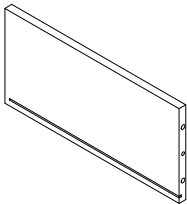
BACK PANEL-1PC

9



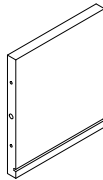
DRAWER SIDE LEFT-1PC

10



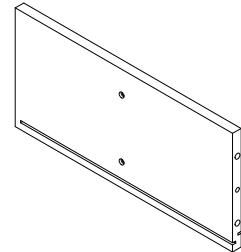
DRAWER SIDE RIGHT-1PC

11



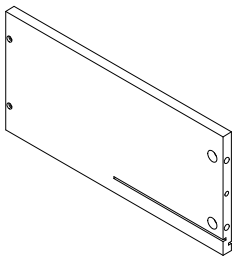
DRAWER BACK-1PC

12



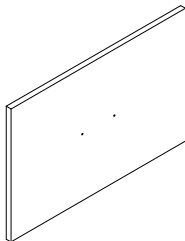
DRAWER STAND LEFT -1PC

13



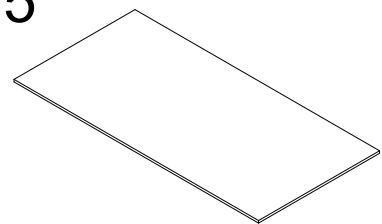
DRAWER STAND RIGHT -1PC

14



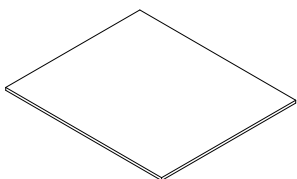
DRAWER FRONT-1PC

15



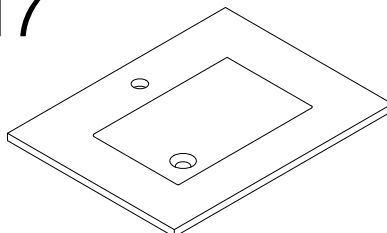
DRAWER BOTTOM-1PC

16





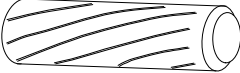
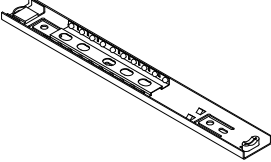
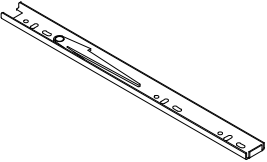
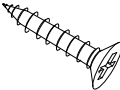
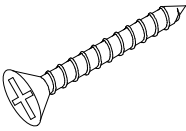
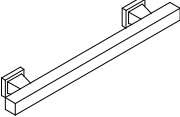
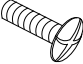




DRAWER MIDLE BOTTOM-1PC

17

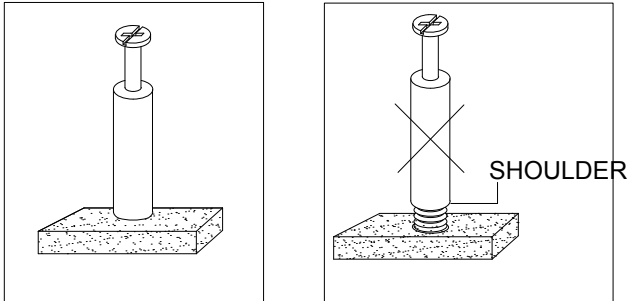


SINK-1PC

HARDWARE LIST

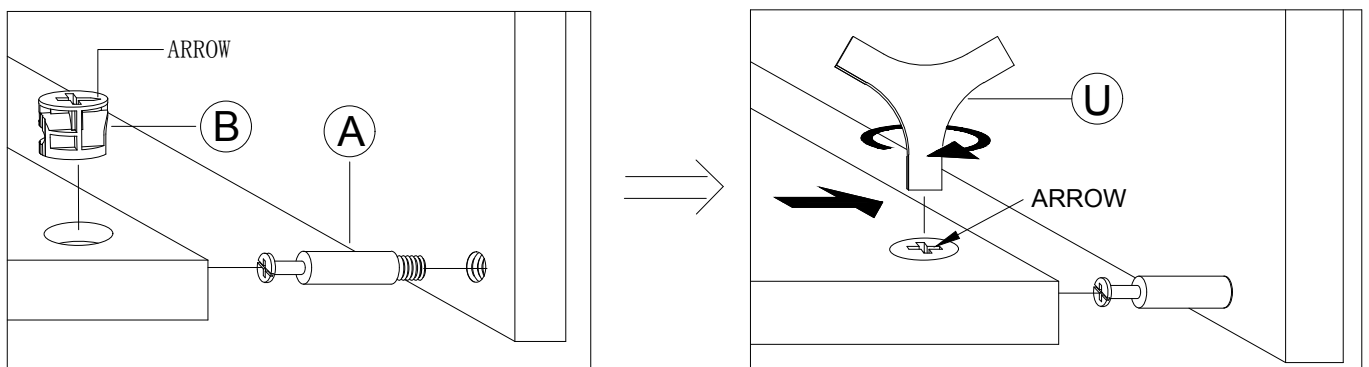
<p>A M6*35mm</p>  <p>CAM-BOLTS - 26PCS</p>	<p>B Ø15*12mm</p>  <p>CAM-LOCKS-26PCS</p>	<p>C Ø8*30mm</p>  <p>DOWELS-16PCS</p>
<p>D</p>  <p>FEMALE SLIDING - 2PCS</p>	<p>E</p>  <p>MALE SLIDING - 2PCS</p>	<p>F Ø6*12mm</p>  <p>SCREW - 12PCS</p>
<p>G Ø6*25mm</p>  <p>SCREWS - 12PCS</p>	<p>H</p>  <p>HANDLE - 1PC</p>	<p>I Ø8*15mm</p>  <p>BOLT - 2PCS</p>
<p>J M6*25mm</p>  <p>CAM-BOLTS - 8PCS</p>	<p>K Ø15*9mm</p>  <p>CAM-LOCKS-8PCS</p>	<p>L Ø6*25mm</p>  <p>DOWELS-10PCS</p>
<p>M</p>  <p>CAM TOOL-1PC</p>		

NOTE: ● UPON OPENING, THOROUGHLY CLEAN ALL WOOD SURFACES TO REMOVE DUST AND DIRT THAT MAY HAVE SETTLED ONTO FINISH DURING SHIPMENT. IN ORDER TO PREVENT DAMAGE DURING ASSEMBLY, PLEASE ASSEMBLE THIS ITEM WITH AT LEAST TWO PEOPLE.

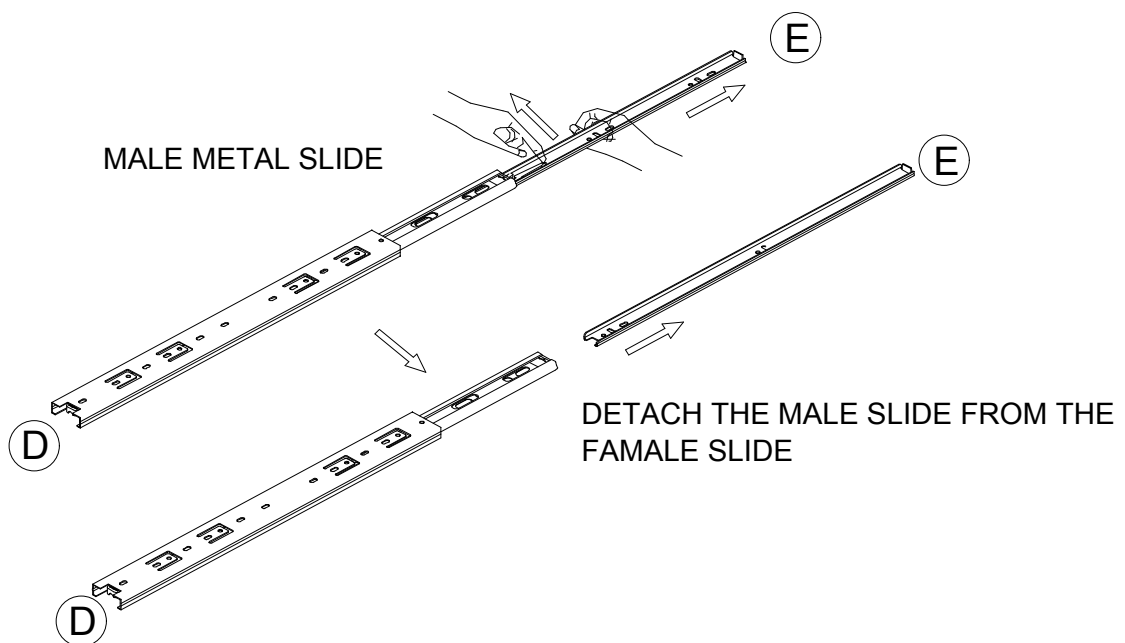


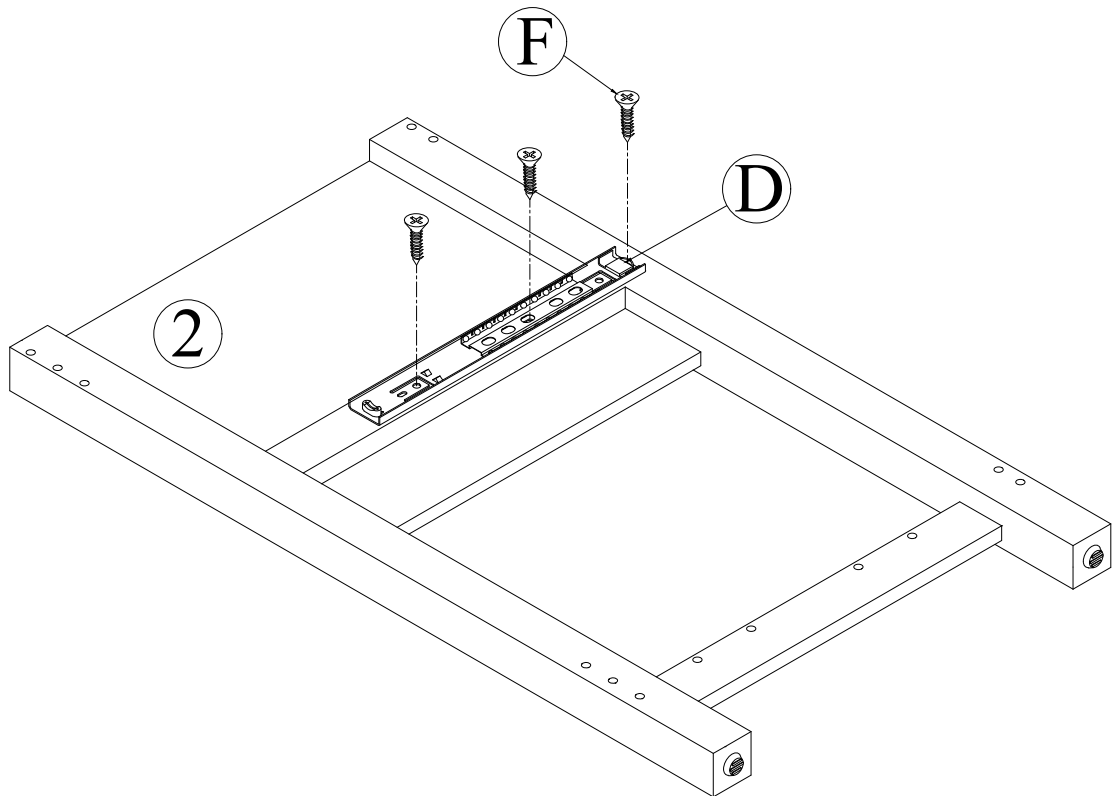
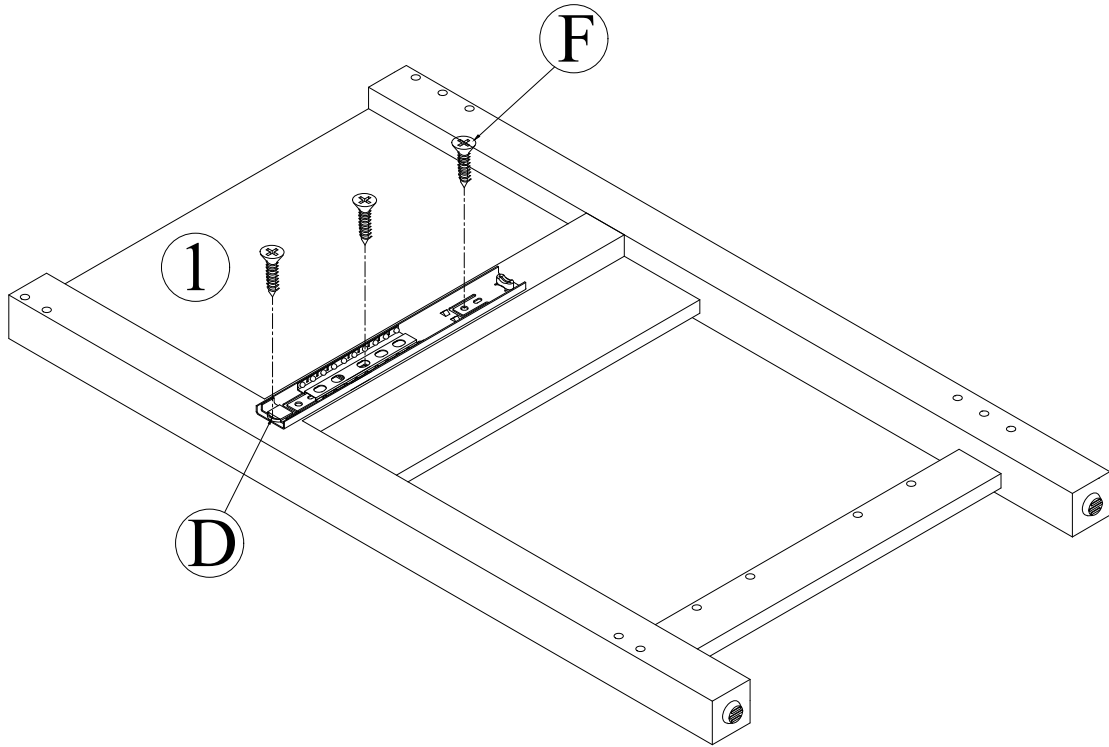
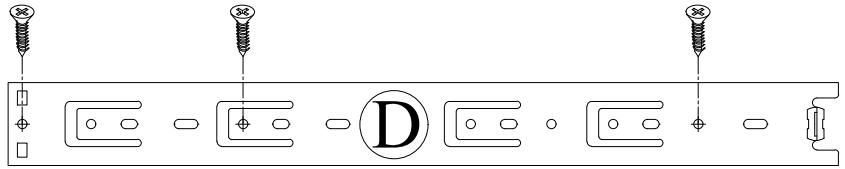
NOTE: TURN THE CAM-BOLT SCREWS UNTIL THEY ARE TIGHT, THE SHOULDER SHOULD BE AGAINST THE SURFACE OF THE PART.

HOW TO USE THE CAM-TOOL



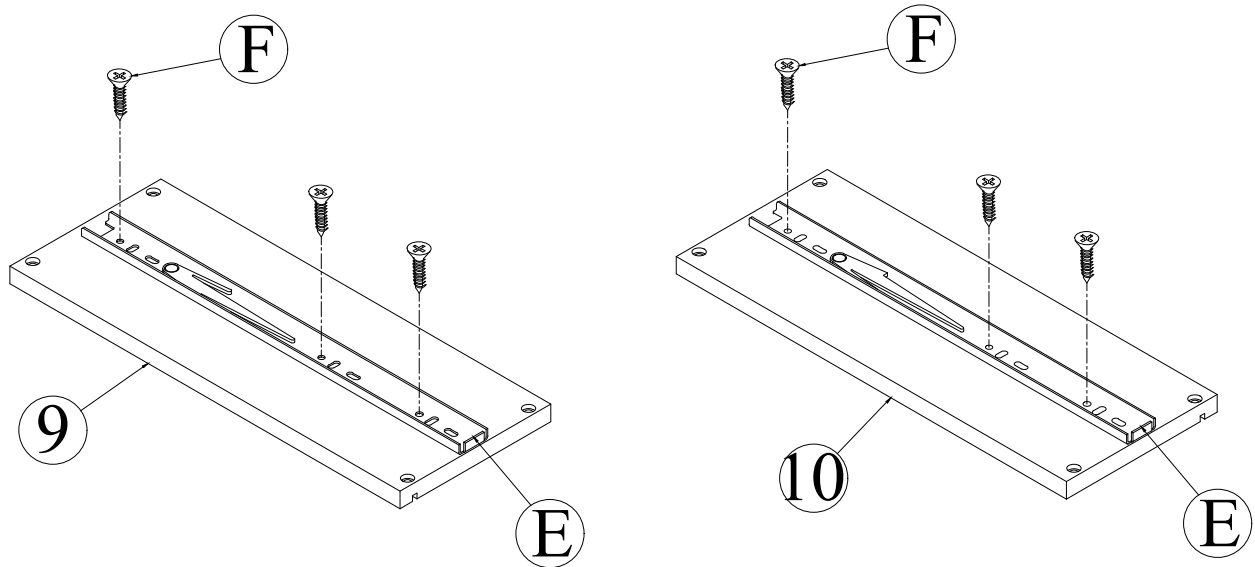
NOTE: ● THE ARROWS ON THE HIDDEN CAM-LOCKS SHOULD POINT TO THE CAM-BOLTS





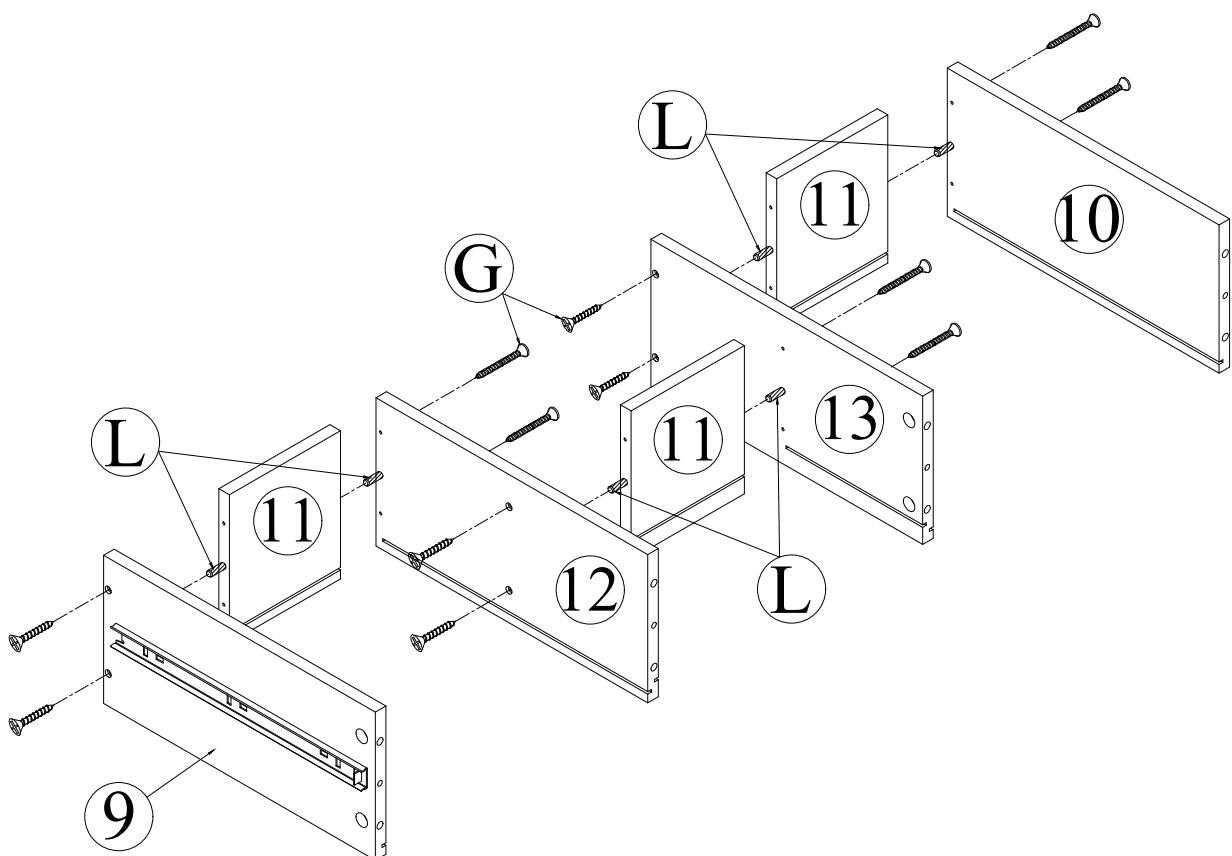
1).ASSEMBLE THE FEMALE SLIDING (D)

- PLACE THE FEMALE SLIDING (D) INTO THE HOLES IN THE PANEL (1/2) AND ATTACH USING 6 SCREW (F).



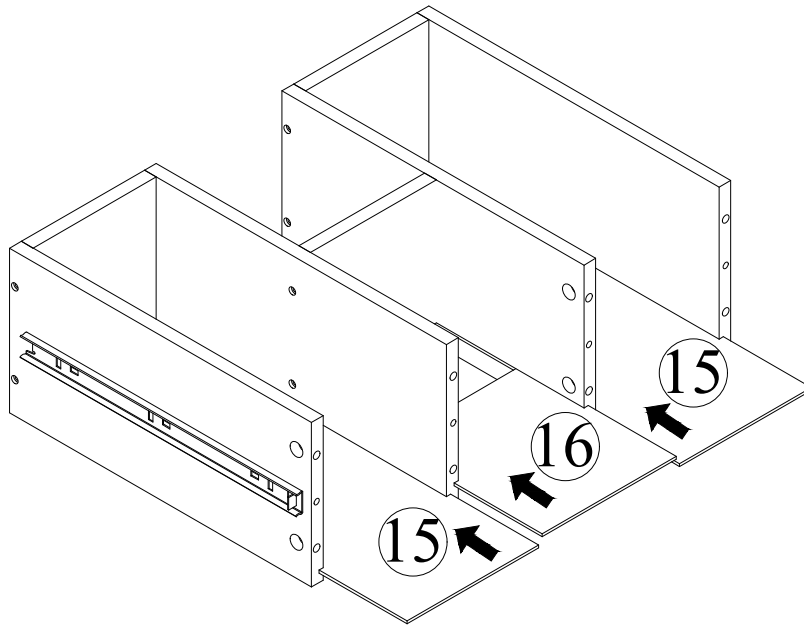
2).ASSEMBLE THE MALE SLIDING (E)

- PLACE THE MALE SLIDING (E) INTO THE HOLES IN THE PANEL (9/10) AND ATTACH USING 6 SCREW (F).



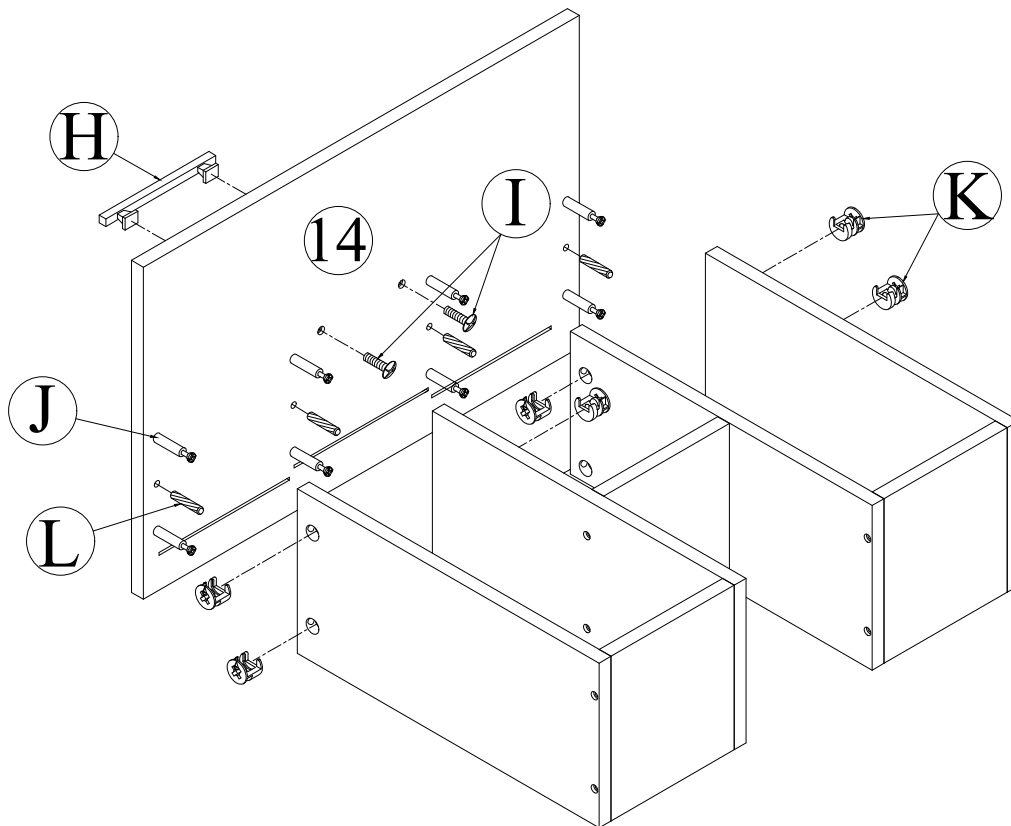
3).ASSEMBLE DRAWER (9/10/11/12/13)

- PLACE THE DRAWER SIDE LEFT RIGHT(9/10), DRAWER STAND LEFT RIGHT(12/13), 3 DRAWER BACK(11) AND 6 DOWELS (L) INTO THE HOLES IN THE PANEL (9/10/11/12/13) AND ATTACH USING 12 SCREW (G).



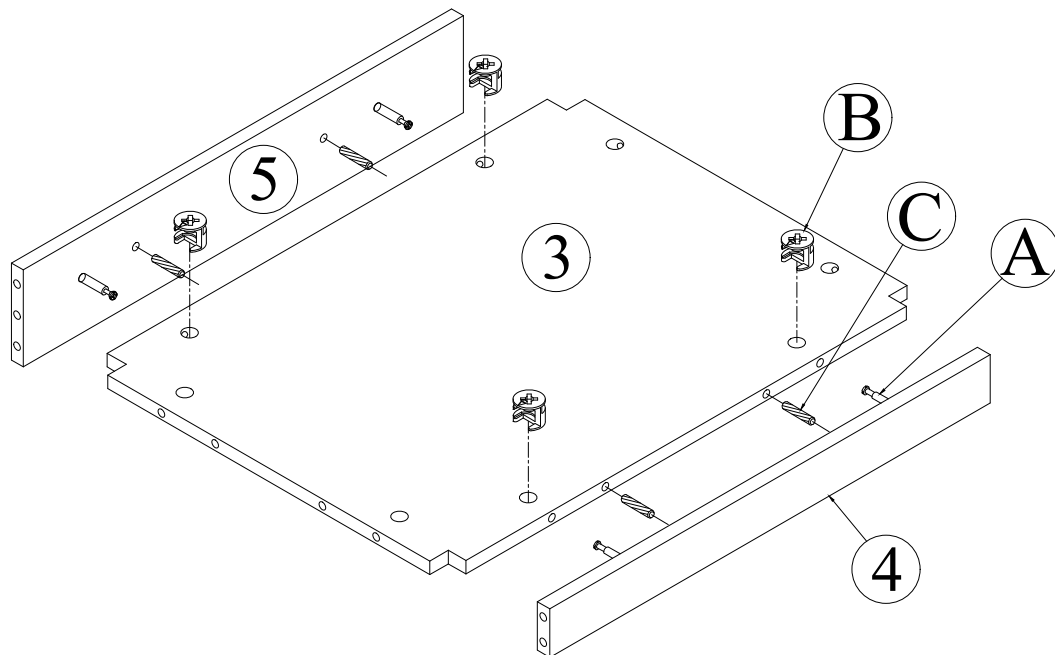
4).ASSEMBLE DRAWER BOTTOM (15/16)

- SLIDE THE DRAWER BOTTOM PANEL (15/16) INTO THE TRENCH IN THE PANEL (9/11/12/13)



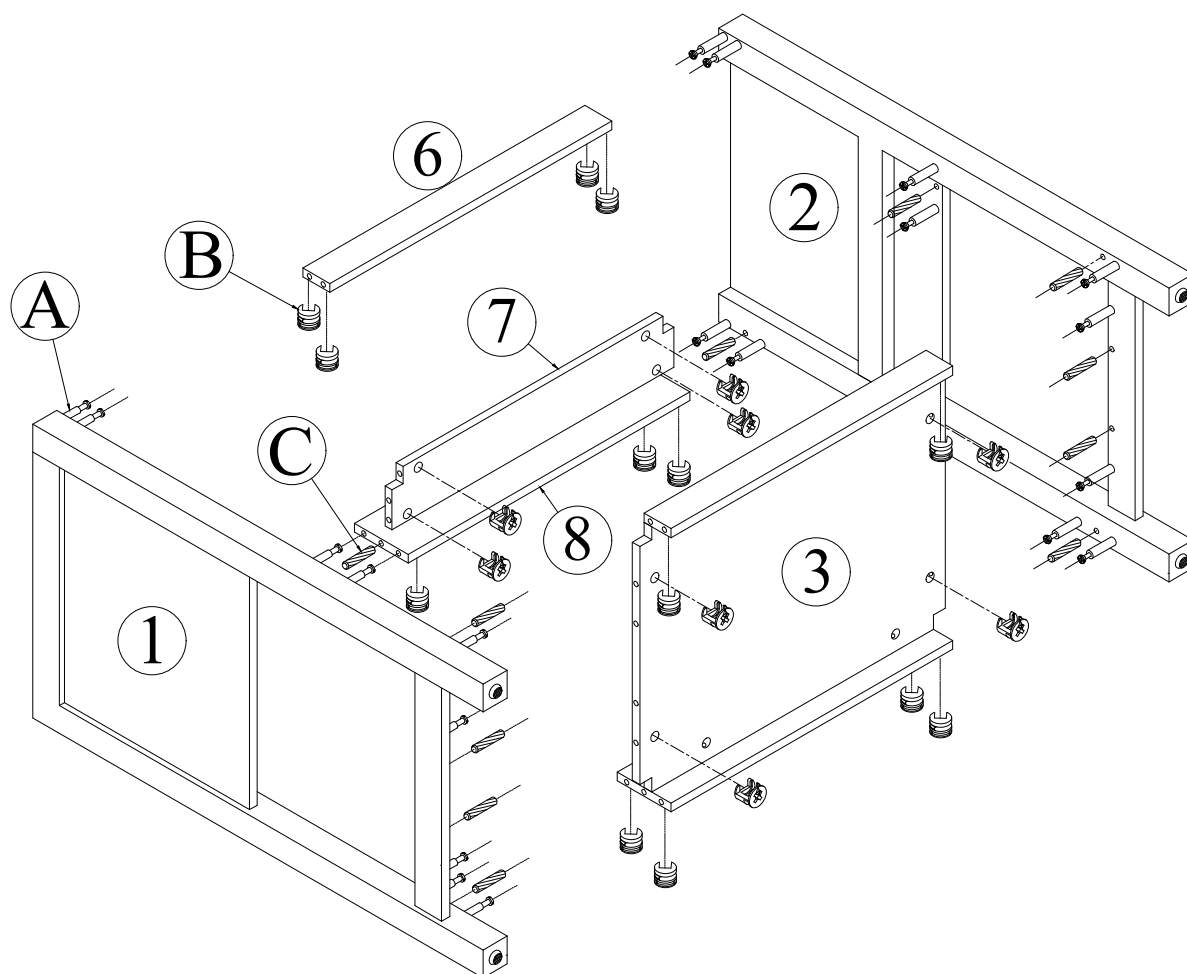
5).ASSEMBLE DRAWER FRONT (14)

- ROTATE 8 CAM-BOLTS (J) INTO THE HOLES IN THE PANEL (14).
- PLACE THE PANEL (14) AND 4 DOWELS (L) INTO THE HOLES IN THE PANEL (9/11/12/13) AND ATTACH USING 8 CAM LOCK (K).
- PLACE THE HANDLE (H) INTO THE HOLES IN THE PANEL (14) AND ATTACH USING 2 BOLTS (I)



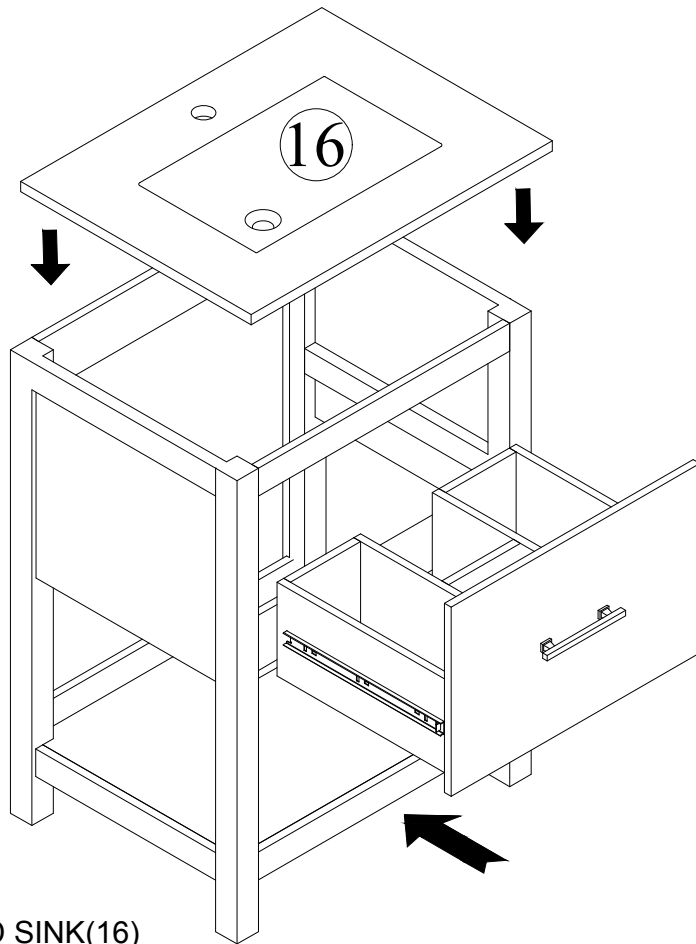
6).ASSEMBLE THE PANEL (3/4/5)

- ROTATE 4 CAM-BOLTS (A) INTO THE HOLES IN THE PANEL (4/5).
- PLACE THE PANEL (4/5) AND 4 DOWELS (C) INTO THE HOLES IN THE PANEL (3) AND ATTACH USING 4 CAM-LOCK (B).



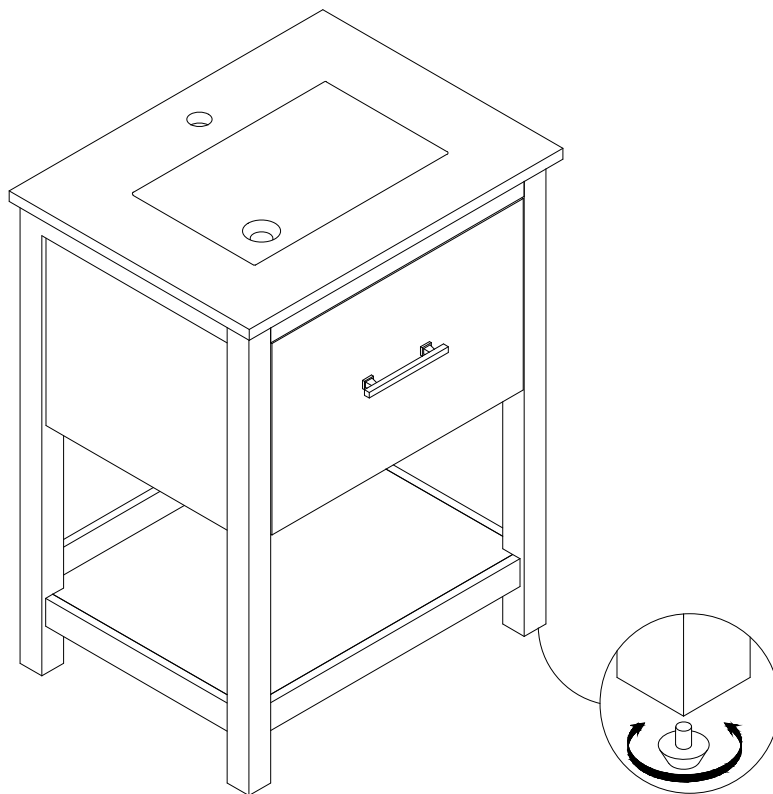
7).ASSEMBLE MAIN BODY

- ROTATE 22 CAM-BOLTS (A) INTO THE HOLES IN THE PANEL (1/2).
- PLACE THE PANEL (3/6/7) AND 12 DOWELS (C) INTO THE HOLES IN THE PANEL (1/2) AND ATTACH USING 18 CAM-LOCK (B).



8).ASSEMBLE DRAWER AND SINK(16)

- PLACE THE SINK (16) INTO THE MAIN BODY
- SLIDE THE DRAWERS INTO THE SLIDERS-OUTS.



9).TWIST THE ADJUSTTBLE FEET TO ENSURE THAT MAIN BODY IS LEVEL AN STEADY