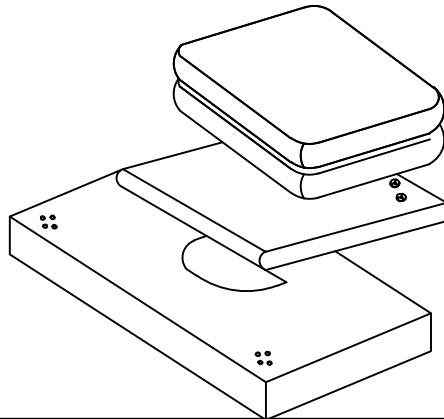


WARNING

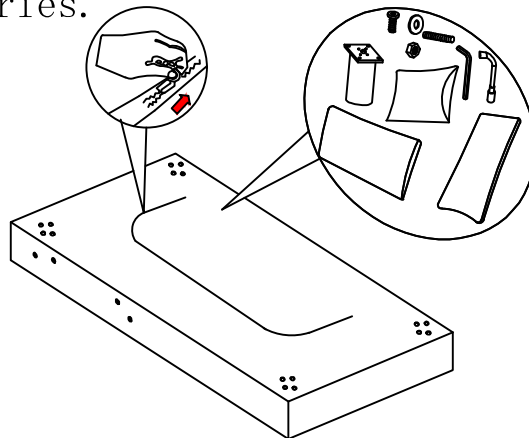
- Inspect the sofa bed before each use, make sure all components and parts are correctly and securely positioned.
- Do not use it if any worn, defective, or missing parts.
- Do not sudden sitting or bouncing on the sofa bed.
- Do not jump onto or off the sofa bed.
- Do not use the sofa bed unless placed at a stable position.
- When you clean the sofa bed, please use a leather cleaner.
- Suggested tools: electronic screwdriver

Components/QTY		Components/QTY		Components/QTY	
legs	(A) 8	Screw	(B) 32	Mat	(C) 22
Long screw	(D) 22	Nut	(E) 22	Wrench	(F) 1
Wrench	(G) 1				
① Backrest pillow 3PC 		② Pillow-1 3pc 		③ Pillow-2 2PC 	

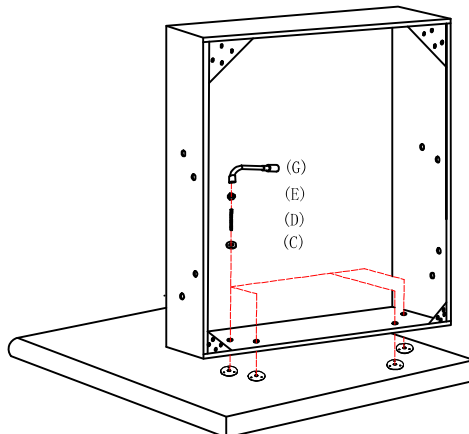
1. The seat frame, backrest and cushion of the chaise.



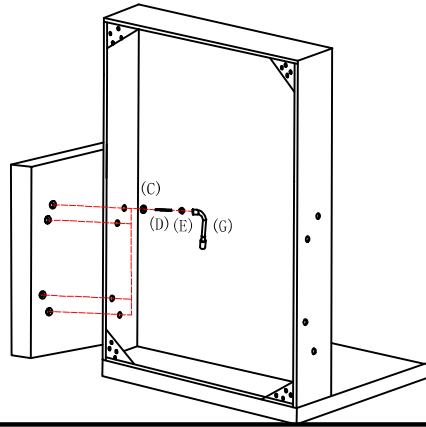
2. Open the zipper at the bottom of the chaise and take out all the accessories.



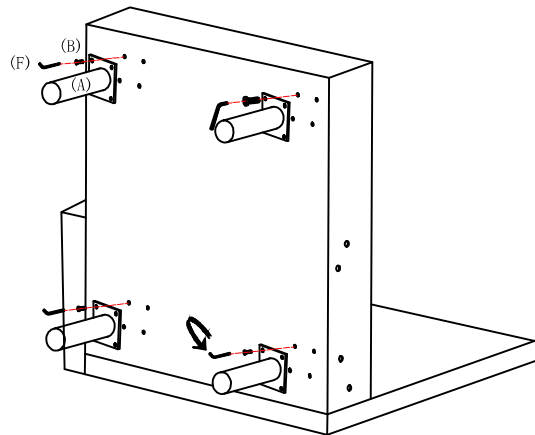
3. Lock the seat frame and backrest of the chaise with cushions, screws and nuts.



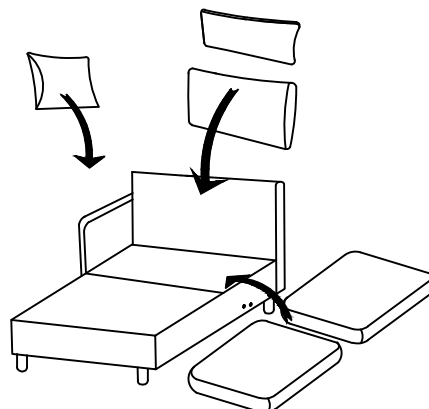
4. Lock the seat skeleton and armrest of the chaise with cushions, screws and nuts.



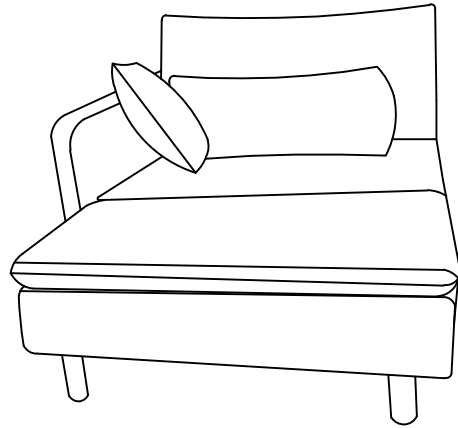
5. Install legs for the chaise.



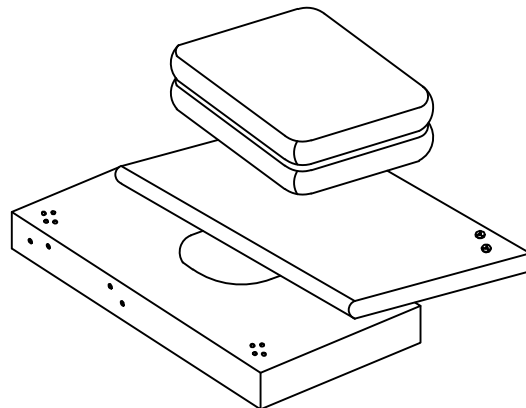
6. Arrangement.



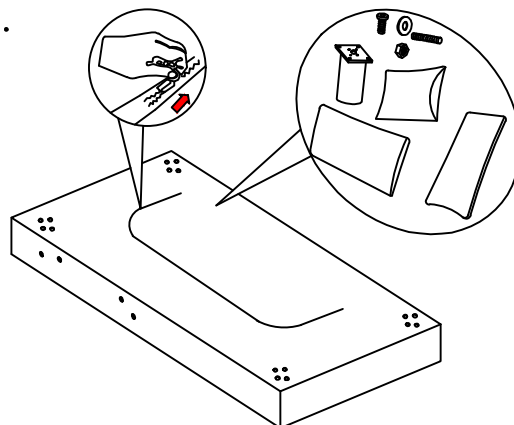
7. chaise.



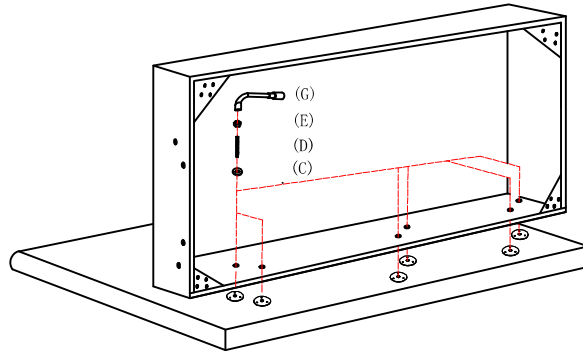
8. The seat frame, backrest and cushion of the sofa.



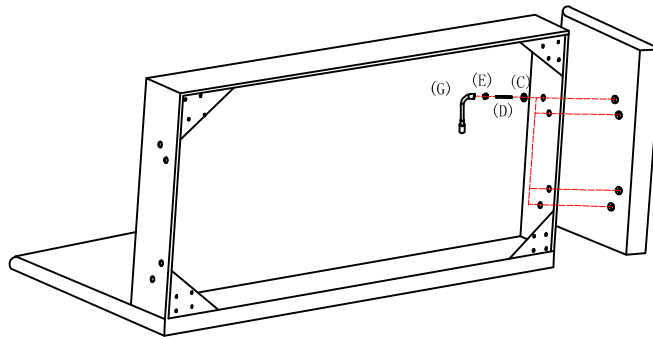
9. Open the zipper at the bottom of the sofa and take out all the accessories.



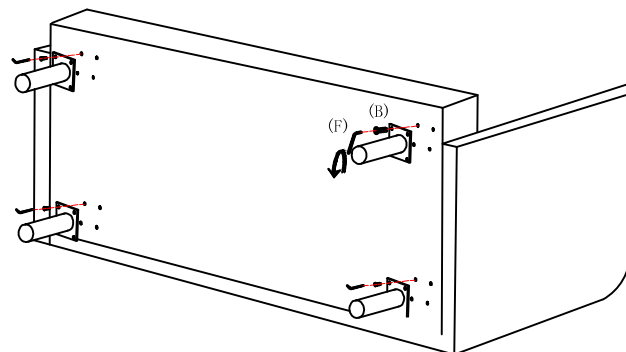
10. Lock the seat frame and backrest of the sofa with cushions, screws and nuts.



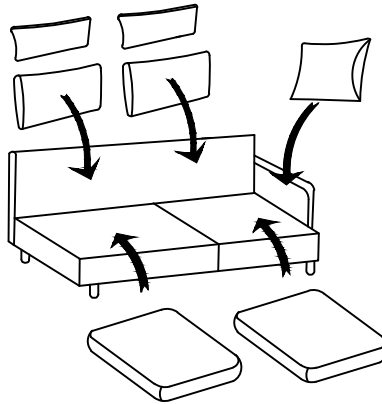
11. Lock the seat skeleton and armrest of the sofa with cushions, screws and nuts.



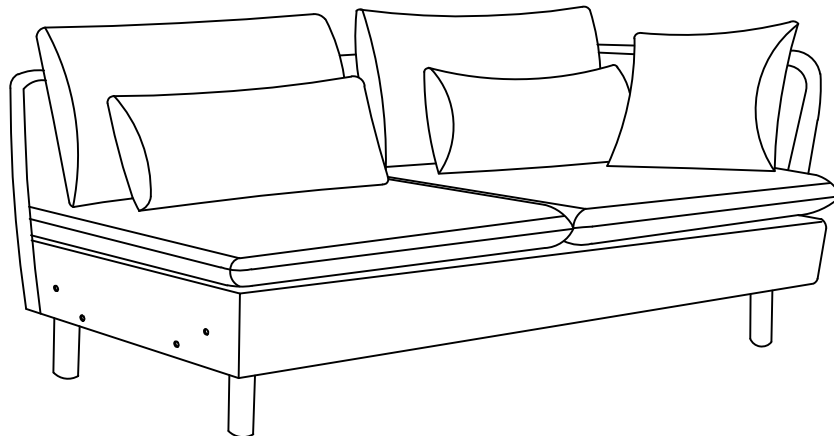
12. Install legs for the sofa.



13. Arrangement.



14. SOFA



15. Corner sofa bed.

