

VANITY INSTALLATION GUIDE

Before Beginning

We recommend consulting a professional if you are unfamiliar with installing bathroom fixtures and plumbing. Signature Hardware accepts no liability for any damage to the floor, walls, plumbing, vanity cabinet, sink, counter top, or personal injury during installation. Observe all local plumbing and building codes. Unpack and inspect the vanity for damage.

Getting Started

Getting Started

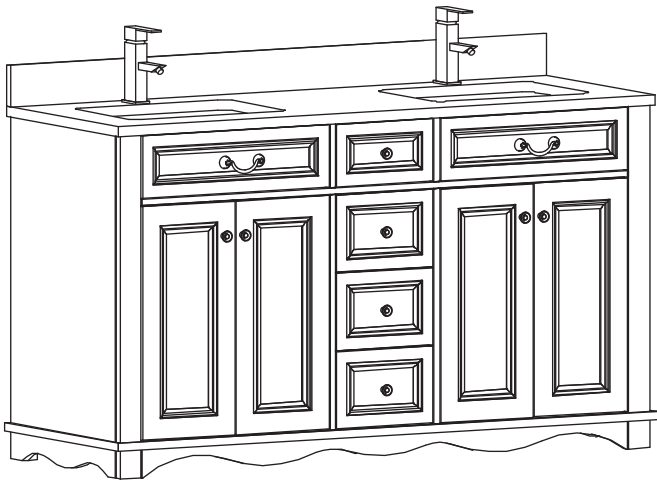
- Ensure that you have gathered all the required materials that are needed for the installation.
- Ensure that your bathroom floor is adequately supported, and the finished floor is level.
- Ensure that there is adequate support behind the bathroom wall before installation.
- Vanity Base installed square and plumb with wall and floor. Vanity Base also needs to be level.

Tool and Material Requirements

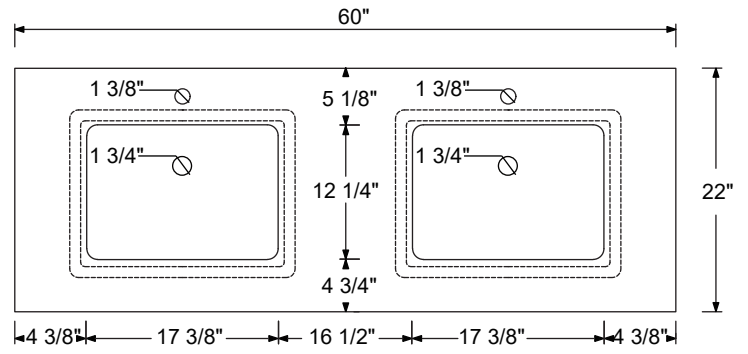
- Flat, non-abrasive work surface (blanket or smooth cardboard)
- Philips-head screwdriver
- Carpenter's level
- Utility blade

Cleaning and Maintenance Instructions

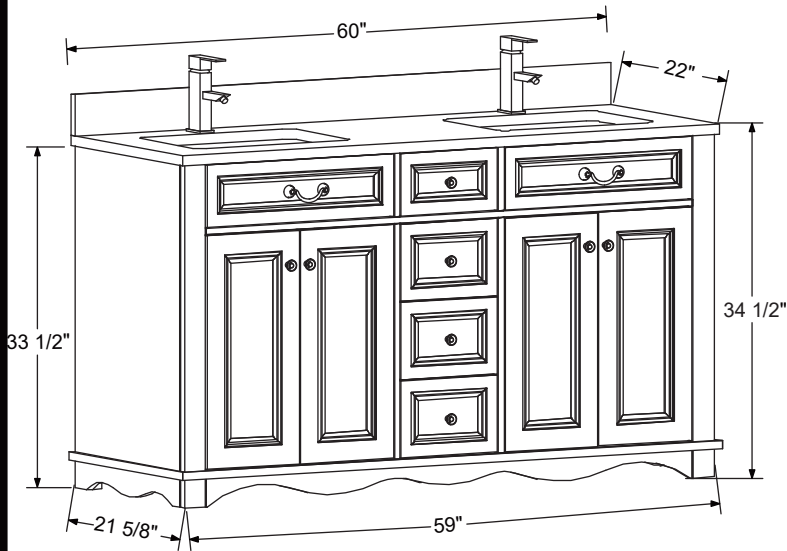
- Avoid abrasive and harsh chemical cleaners
- To maintain and protect luster of vanity sink components



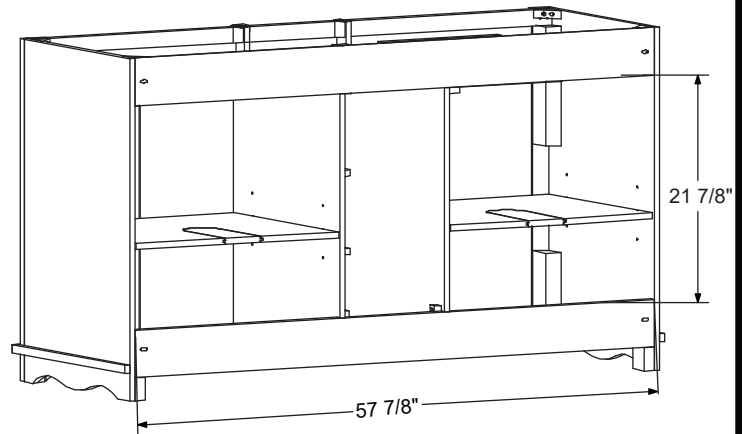
Vanity Ensemble



Sink



Vanity Front

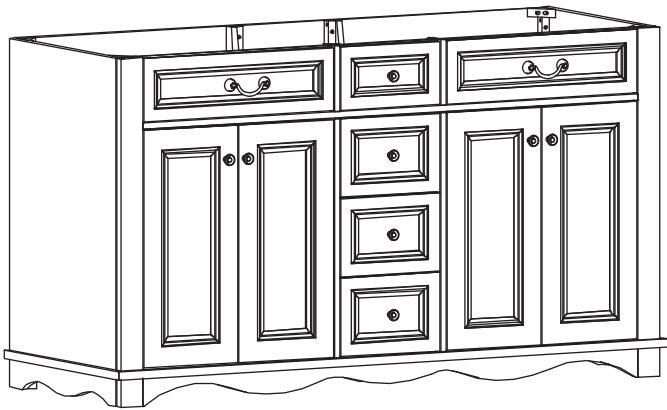


Vanity Back

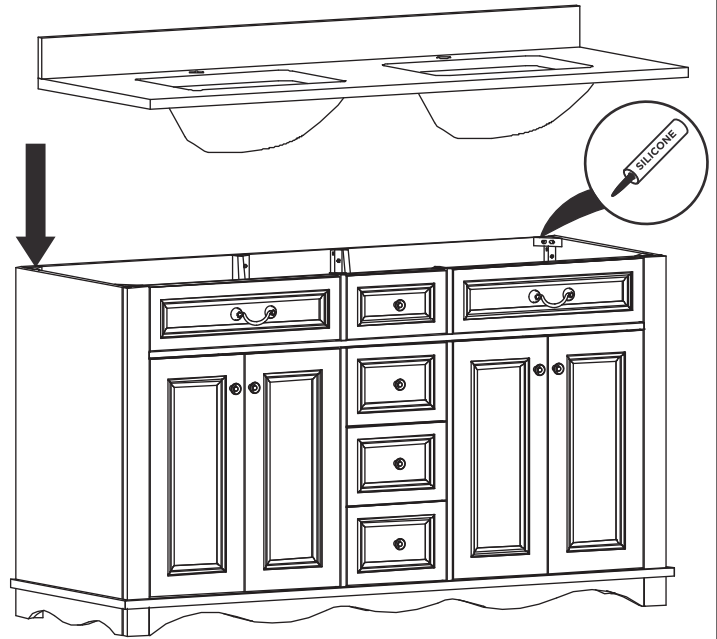
Note: All dimensions and specifications are approximate and subject to change without notice.

INSTALLATION INSTRUCTIONS

1 Secure cabinet to the wall



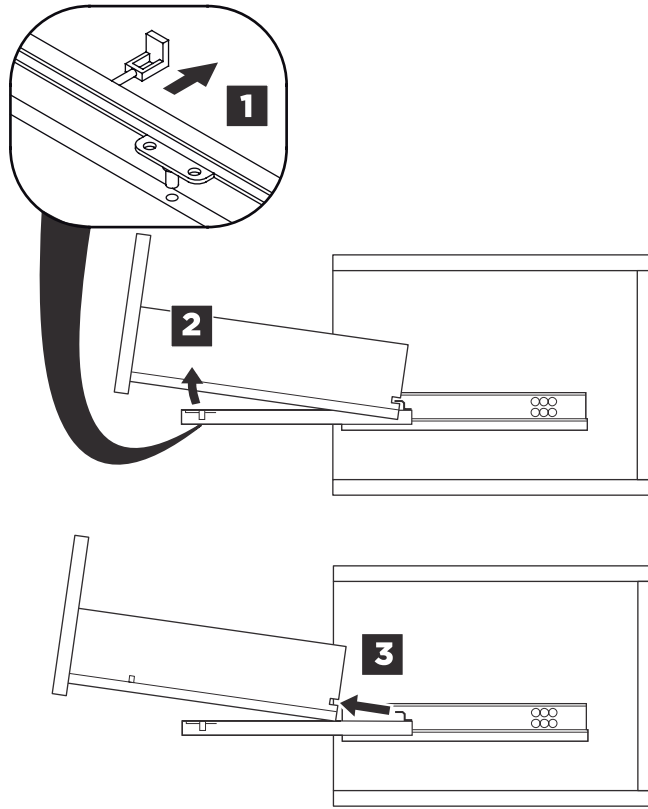
2 Apply a bead of silicone on the top of the cabinet and place the sink on top



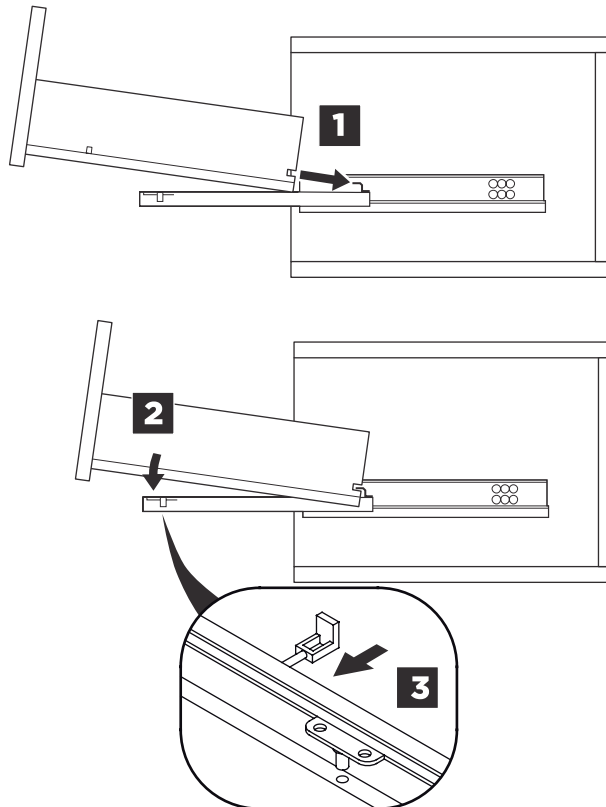
IMPORTANT:

Consult an expert for the proper screws/bolts to use when attaching to various wall constructions. Screws provided do not attach to all wall construction types.

DRAWER REMOVAL



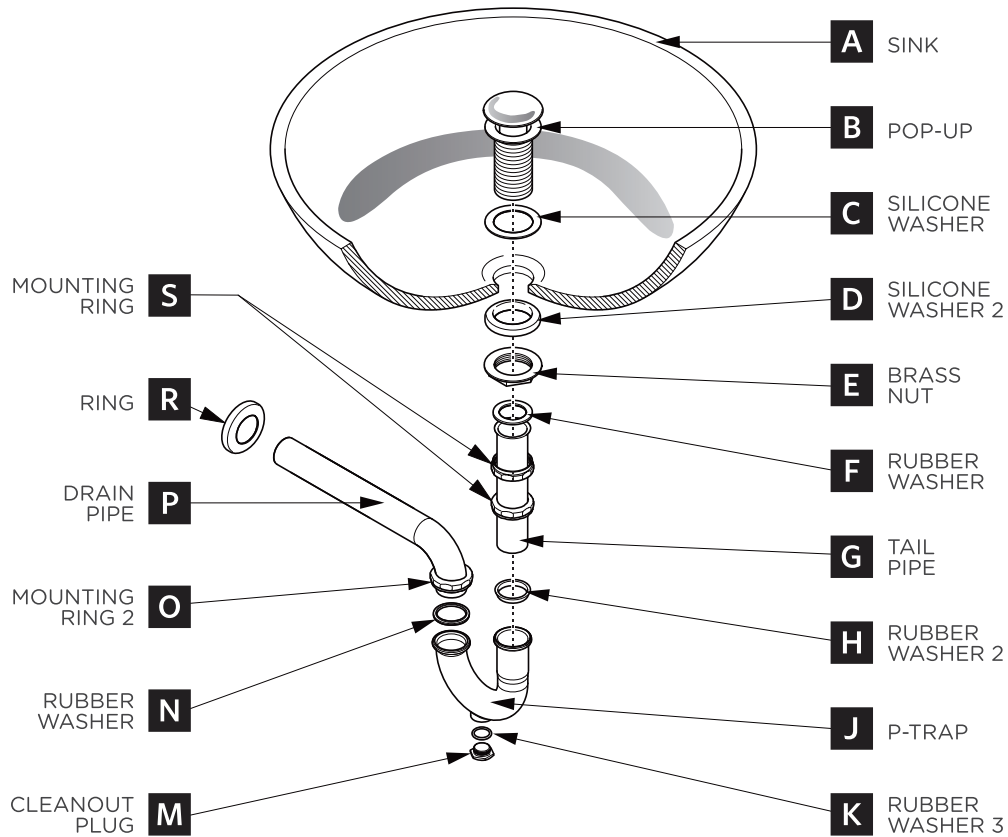
DRAWER INSTALLATION



P-TRAP & POP-UP

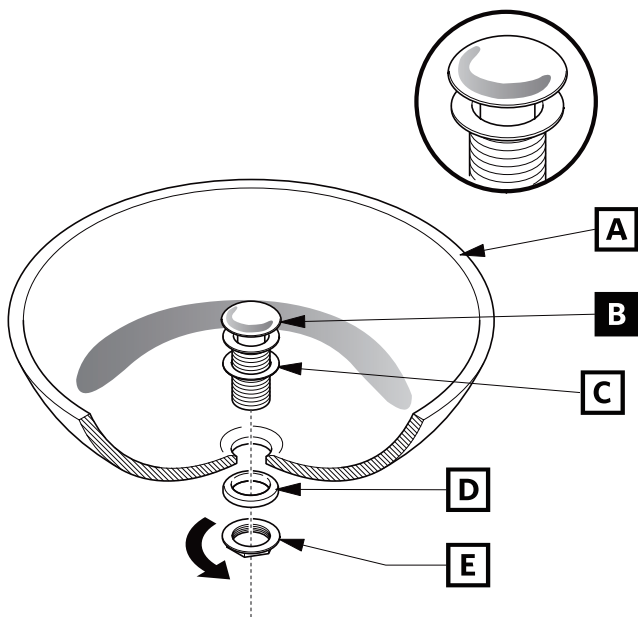
INSTALLATION INSTRUCTIONS

Your item may appear slightly different from the illustration.



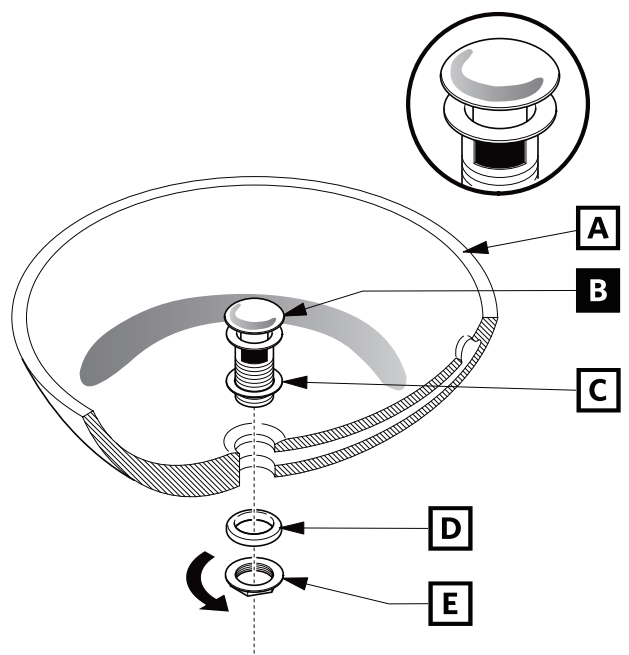
POP-UP INSTALLATION

FOR SINKS WITHOUT OVERFLOW



OR

FOR SINKS WITH OVERFLOW



CARING FOR YOUR COUNTERTOP

Keeping your countertop looking its best is a breeze, thanks to its high density, non-porous nature, and scratch resistance.

To keep your surfaces looking their best, simply clean them with a damp cloth and a gentle soap or detergent.

Remove daily wear and tear by wiping away smudges, fingerprints, and other signs with a damp cloth and gentle soap. Promptly clean up spills to stop them from becoming permanent stains.

A mix of equal parts vinegar and water is a safe and effective cleaning solution.

Steer clear of abrasive cleaning agents and safeguard your surfaces from chemicals that can result in permanent harm or discolouration. If your surfaces come into contact with damaging substances, rinse them promptly with water to counteract their impact.