

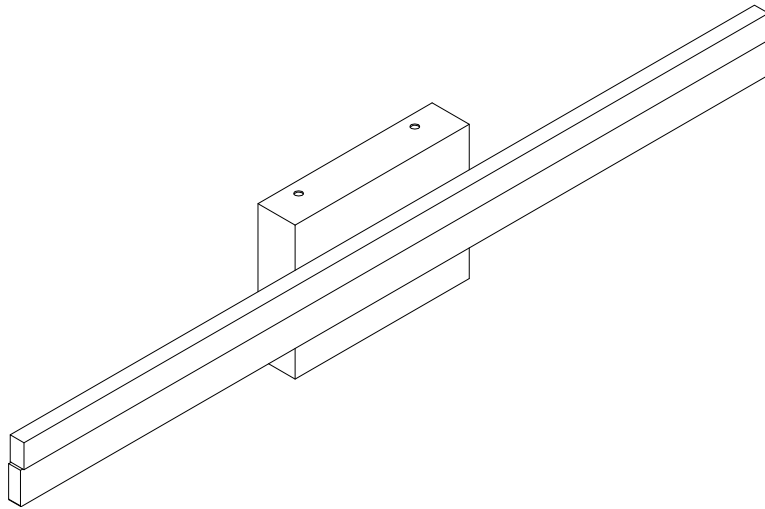
# ASSEMBLY AND INSTALLATION INSTRUCTIONS

WARNING: TO AVOID RISK OF ELECTRICAL SHOCK, BE SURE TO SHUT OFF POWER WHILE INSTALLING OR SERVICING THIS FIXTURE.

## NOTES:

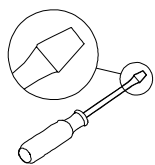
1. Before installing, consult local electrical codes for wiring and grounding requirements.
2. Read and save these instructions.

## WALL SCONCE



---

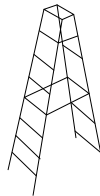
## TOOLS REQUIRED



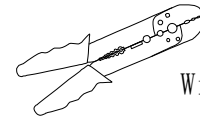
Flathead  
Screwdriver



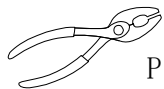
Phillips  
Screwdriver



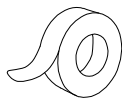
Ladder



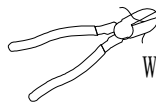
Wire Strippers



Pliers



Electrical  
Tape



Wire Cutters



Safety Glasses

## PREPARATION

Before beginning assembly of product, make sure all parts are present. Compare parts with package contents list and hardware contents list. If any part is missing or damaged, do not attempt to assemble the product. When the lamp is not installed finish, please don't throw away the package, so as not to leave the parts in the package.

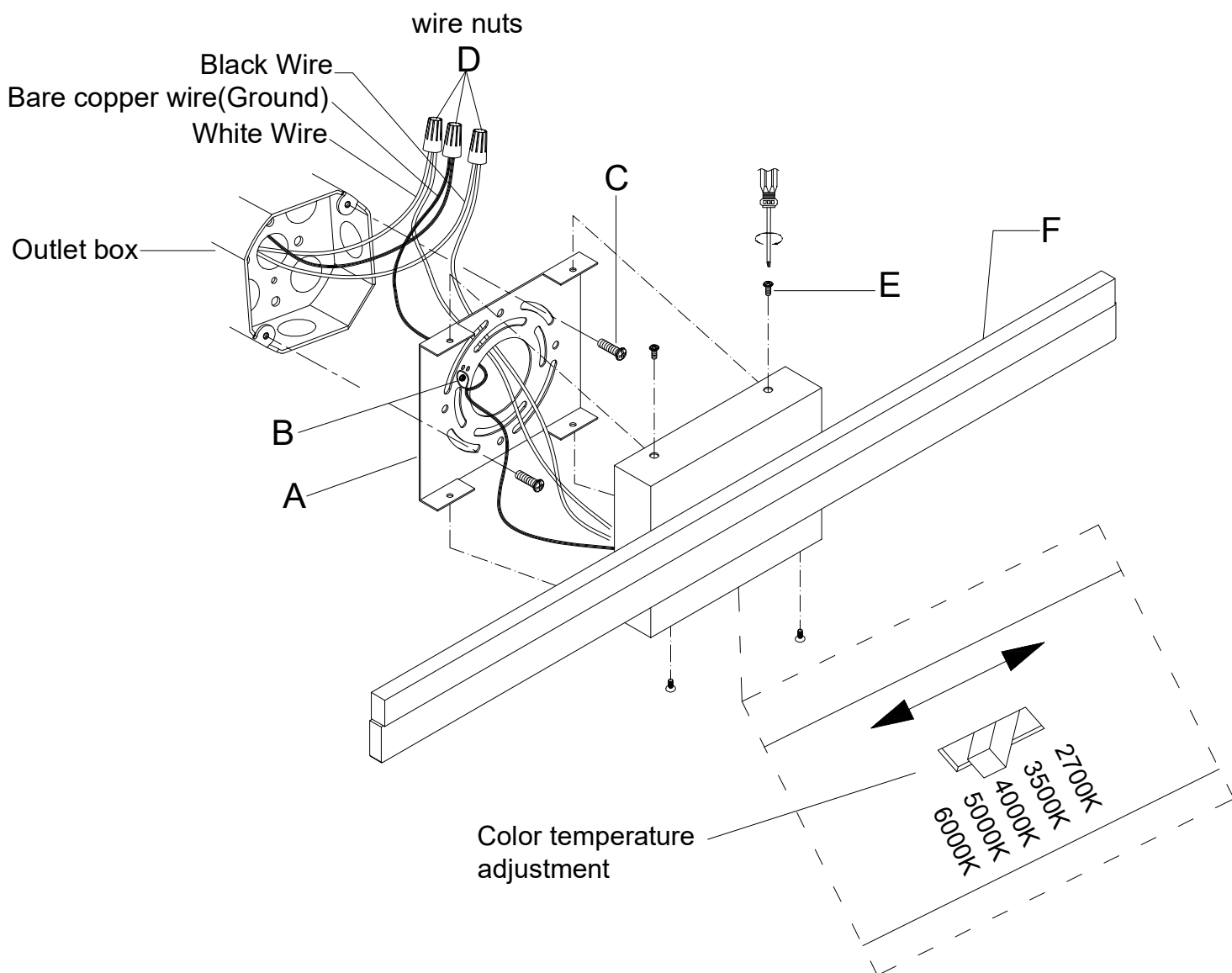
## PART LIST AND HARDWARE LIST

PIECE	DESCRIPTION
A	Mounting plate
B	Green ground screw
C	Outlet box screw

PIECE	DESCRIPTION
D	Wire nut
E	Mounting screw
F	Fixture body

### INSTALLATION

1. Attach the mounting plate (A) to the junction box with outlet box screw (C).
2. Attach the supply circuit ground wire (green or bare copper wire) to the the fixture ground wire, black to (black) and white to (white).
3. Attach the fixture body (F) to the mounting plate(A) with mounting screw(E).



If you have any issues with use this product, please email us. Be sure to include your order number and photos of the issues. This will help us provide you with faster support and solve your problem.