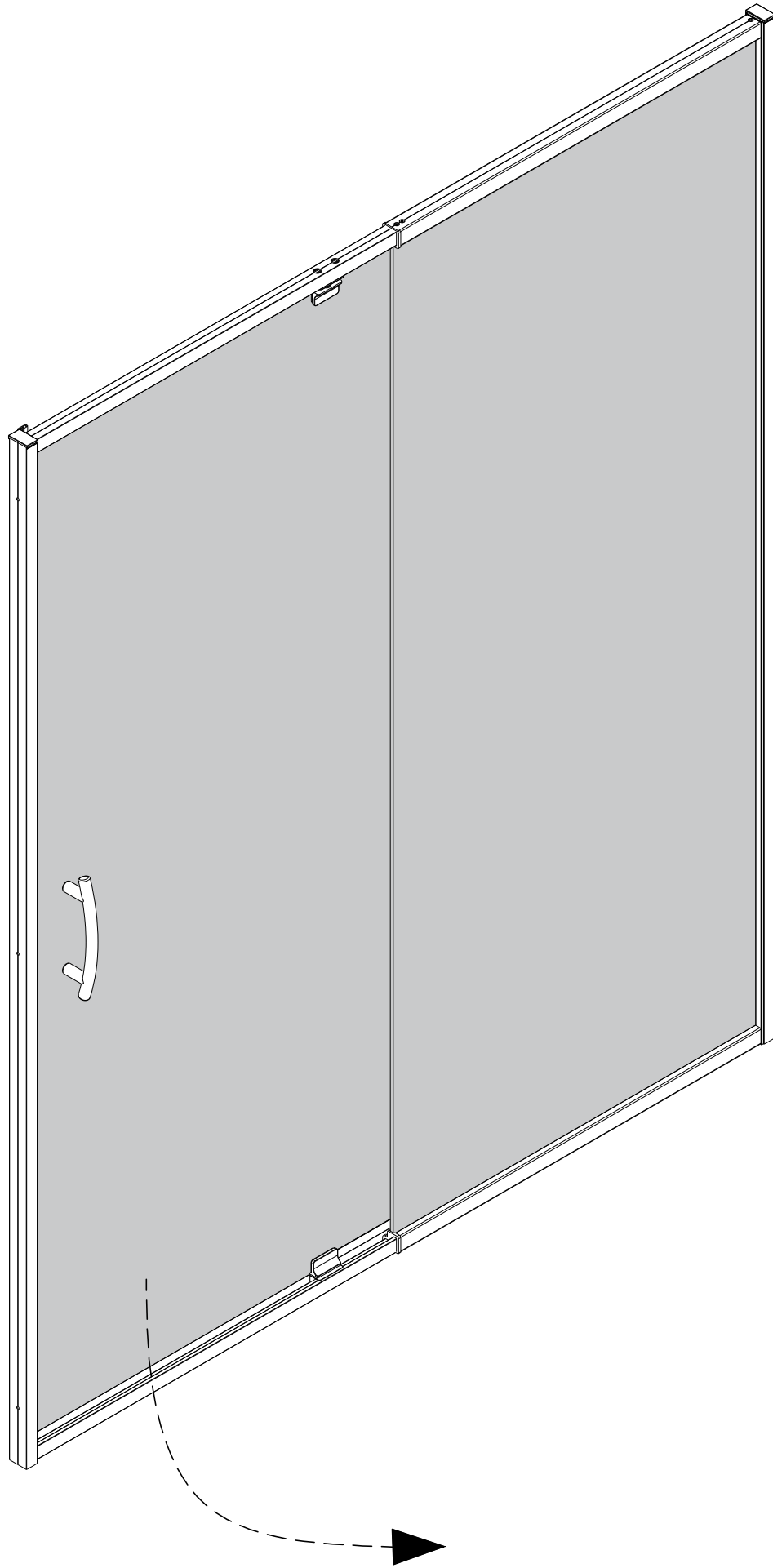
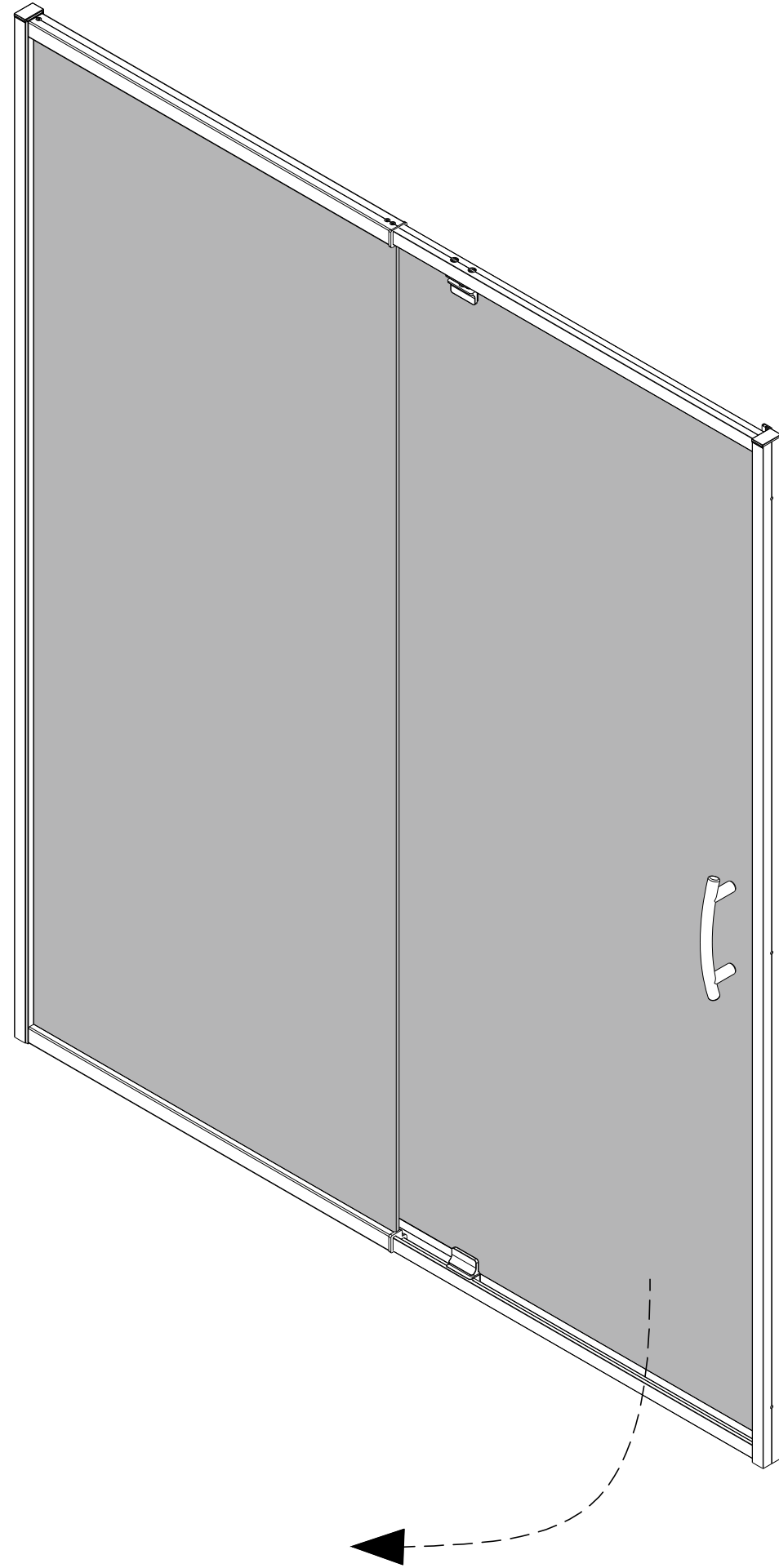


## Shower Door Installation Instructions



Right-hand door installation shown



Left-hand door installation shown



**NOTE: This model is reversible for left or right-hand door installation.**  
This manual will show the Left-hand door installation as an example throughout.

**Please do not return the product to the store.  
Contact us with any questions.**

## Model Specific Preparation

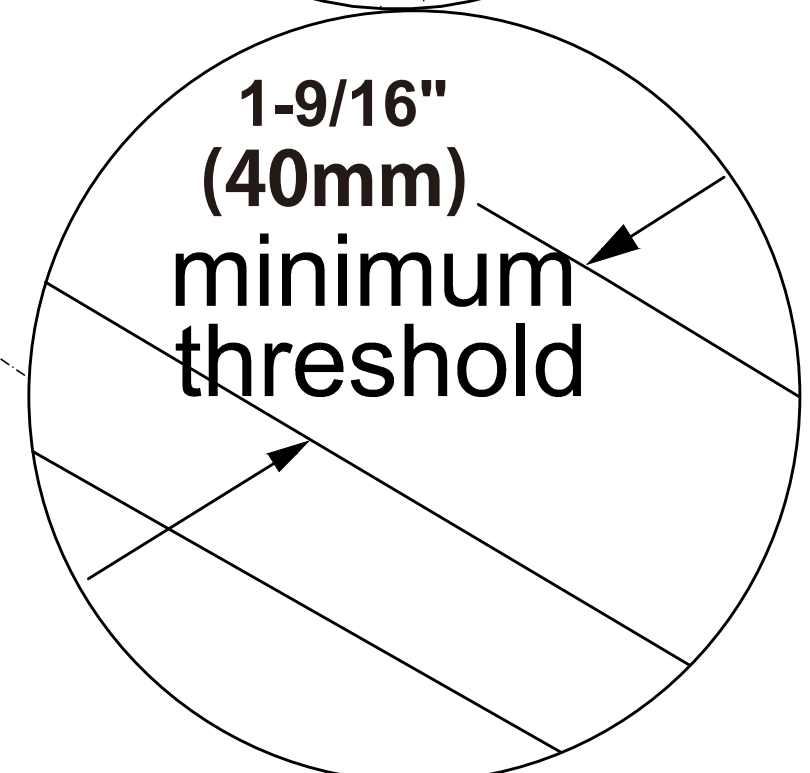
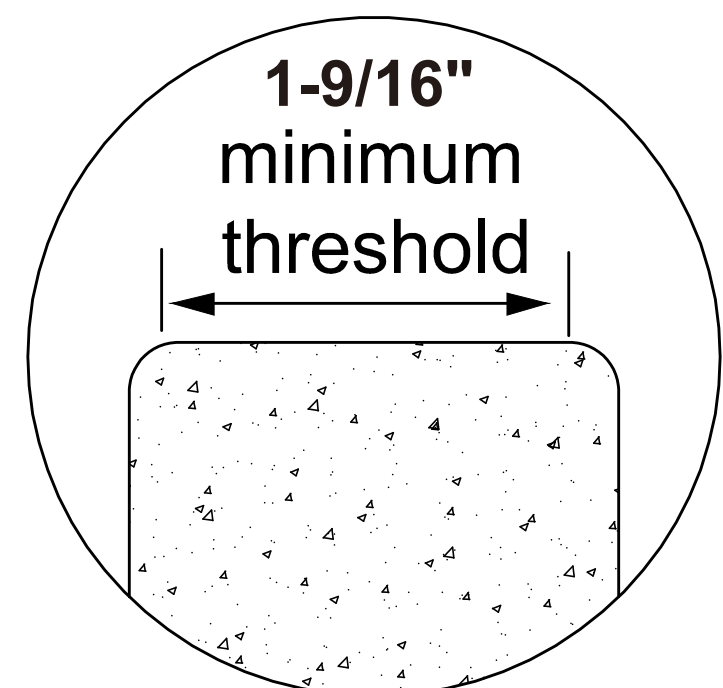
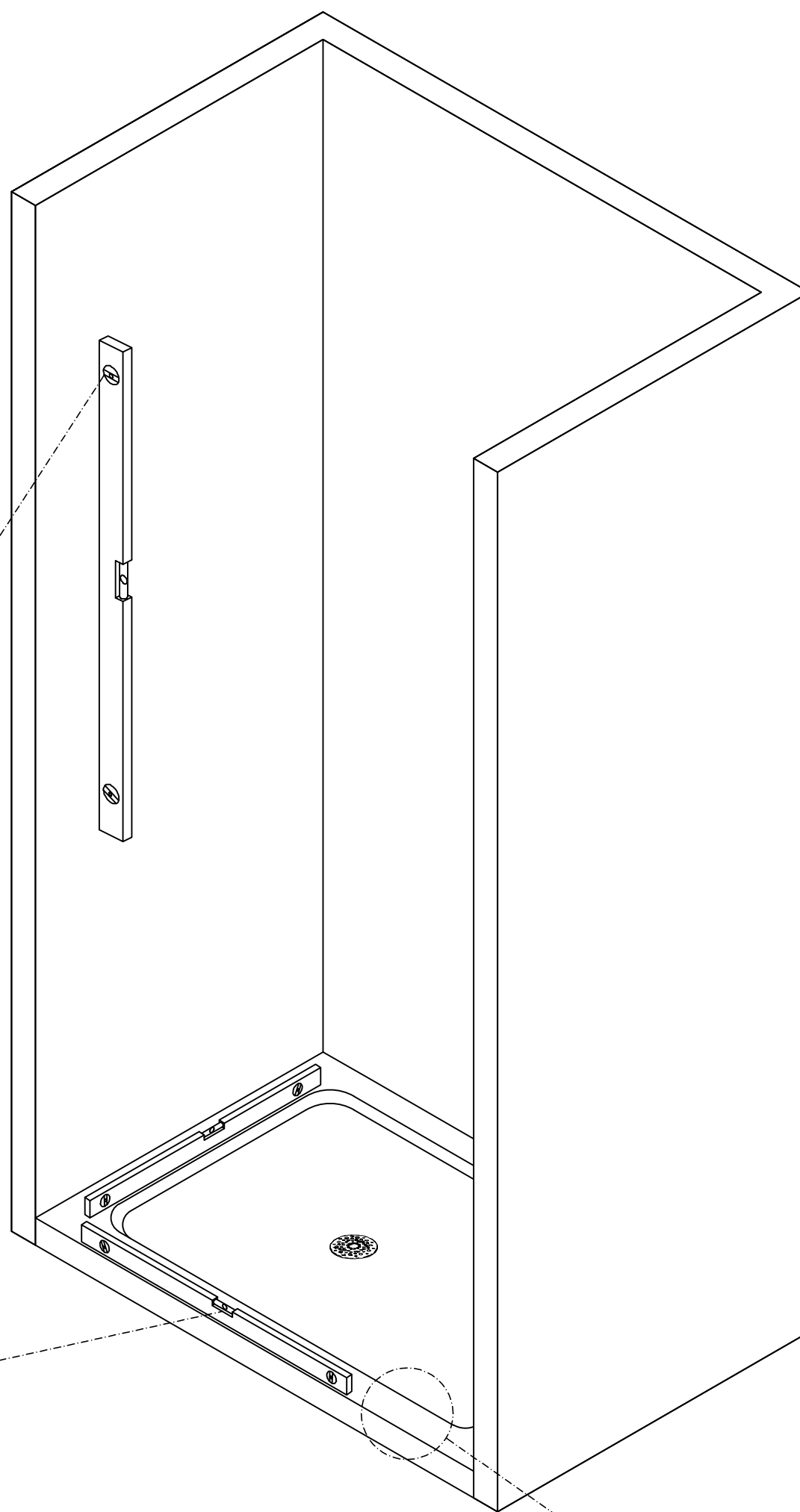
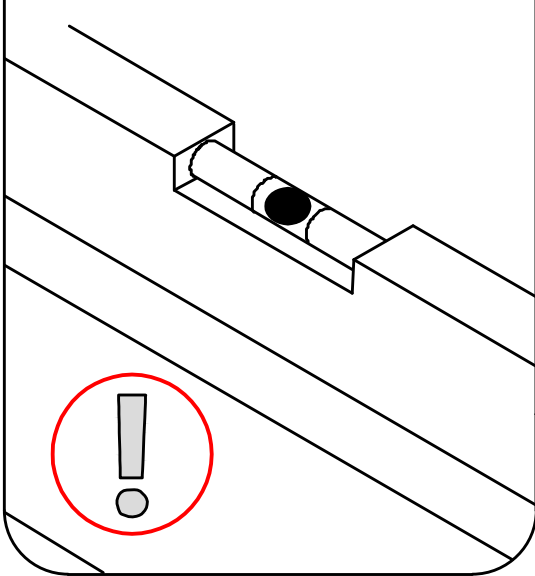


REQUIRED:

Verify threshold and wall with a level.

3/8"(10mm) Maximum out of plumb adjustment from top to bottom

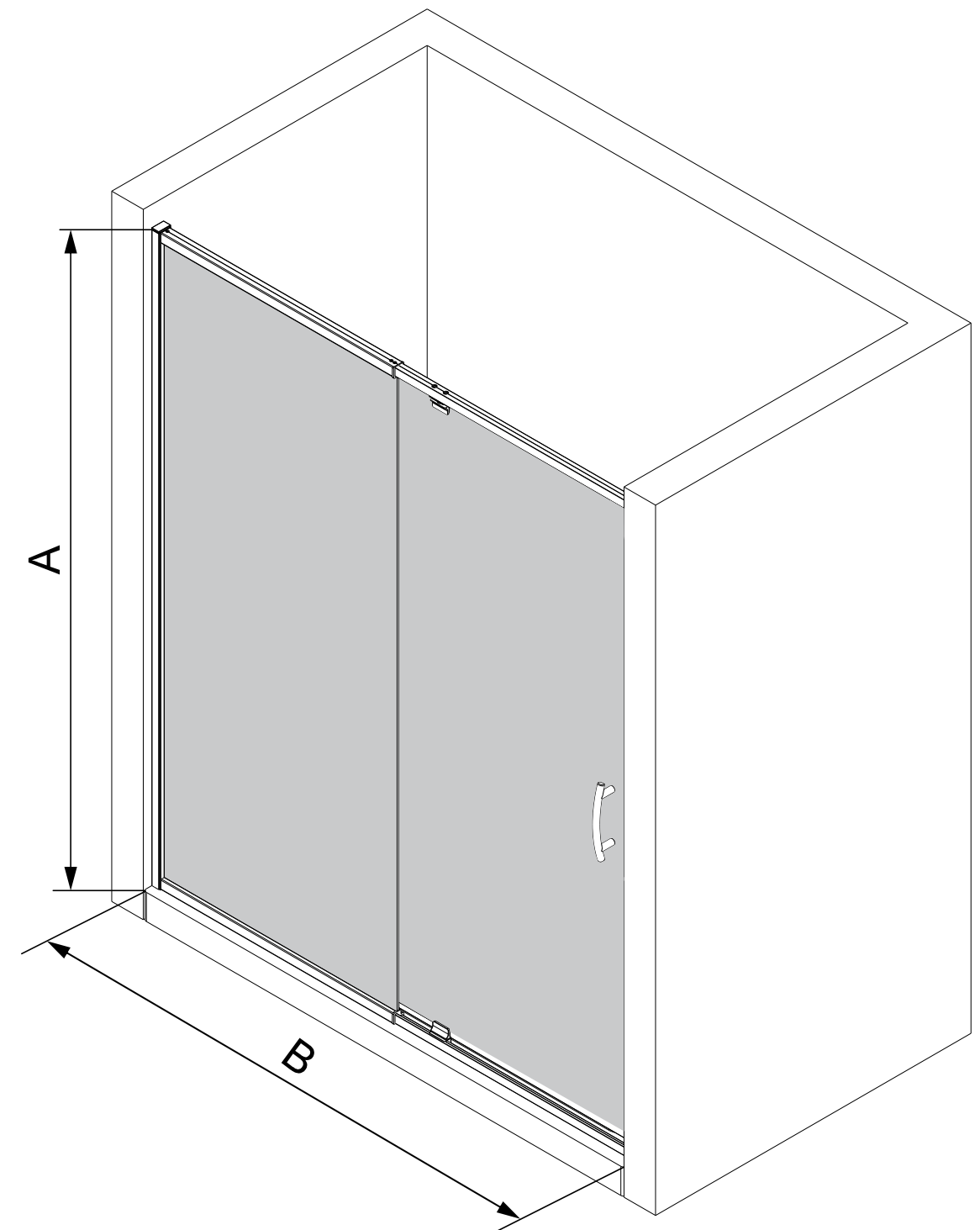
Threshold must be level



Model Dimensions

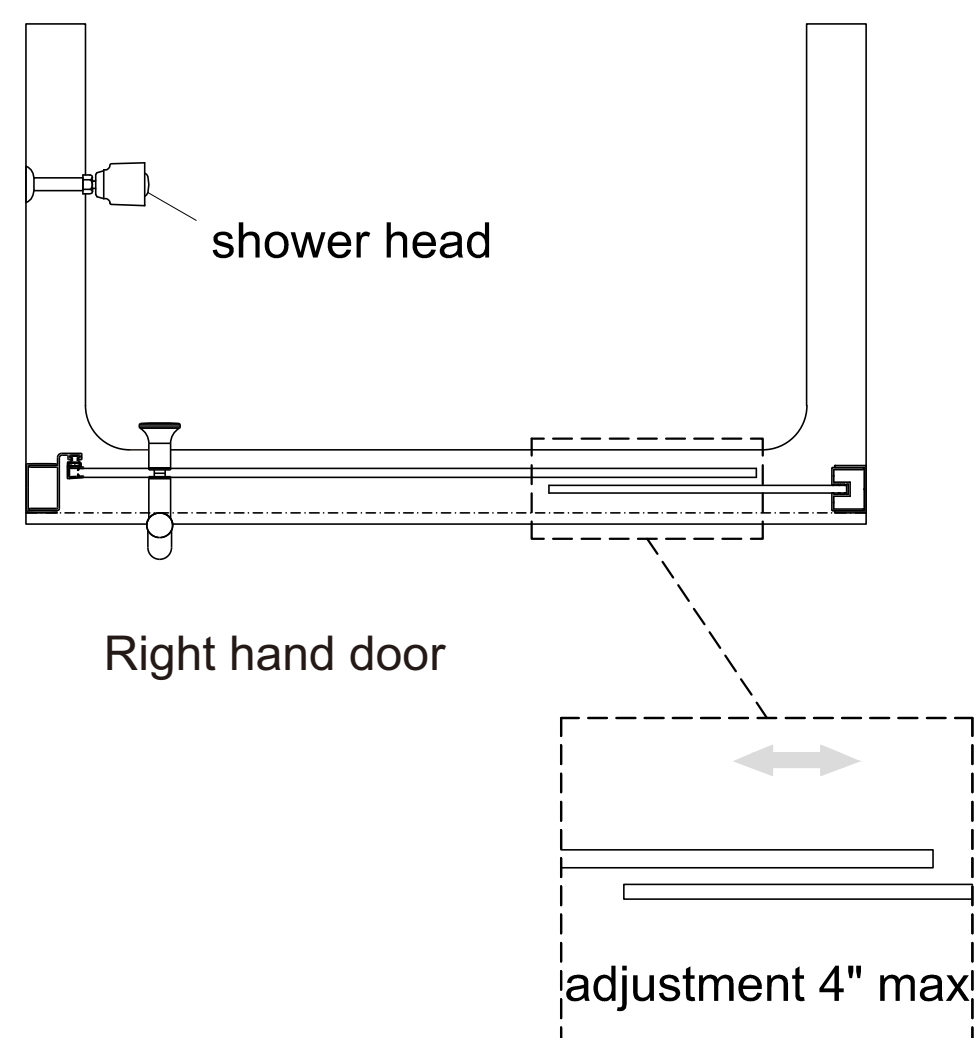
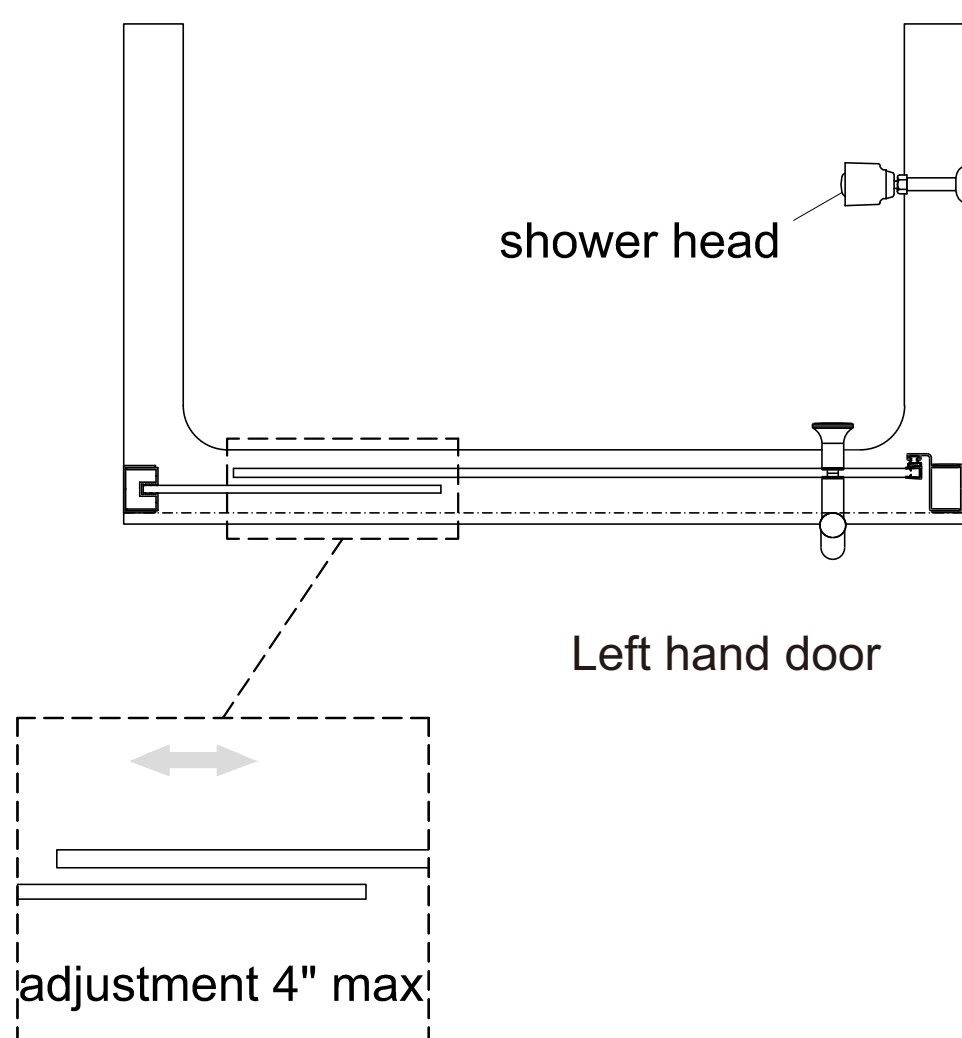
configuration dimensions:

A Product Height	B Model width	Installation width
71"	42"	38" ~42"
	48"	44" ~48"
	54"	50" ~54"
72"	32"	28" ~32"
	36"	32" ~36"

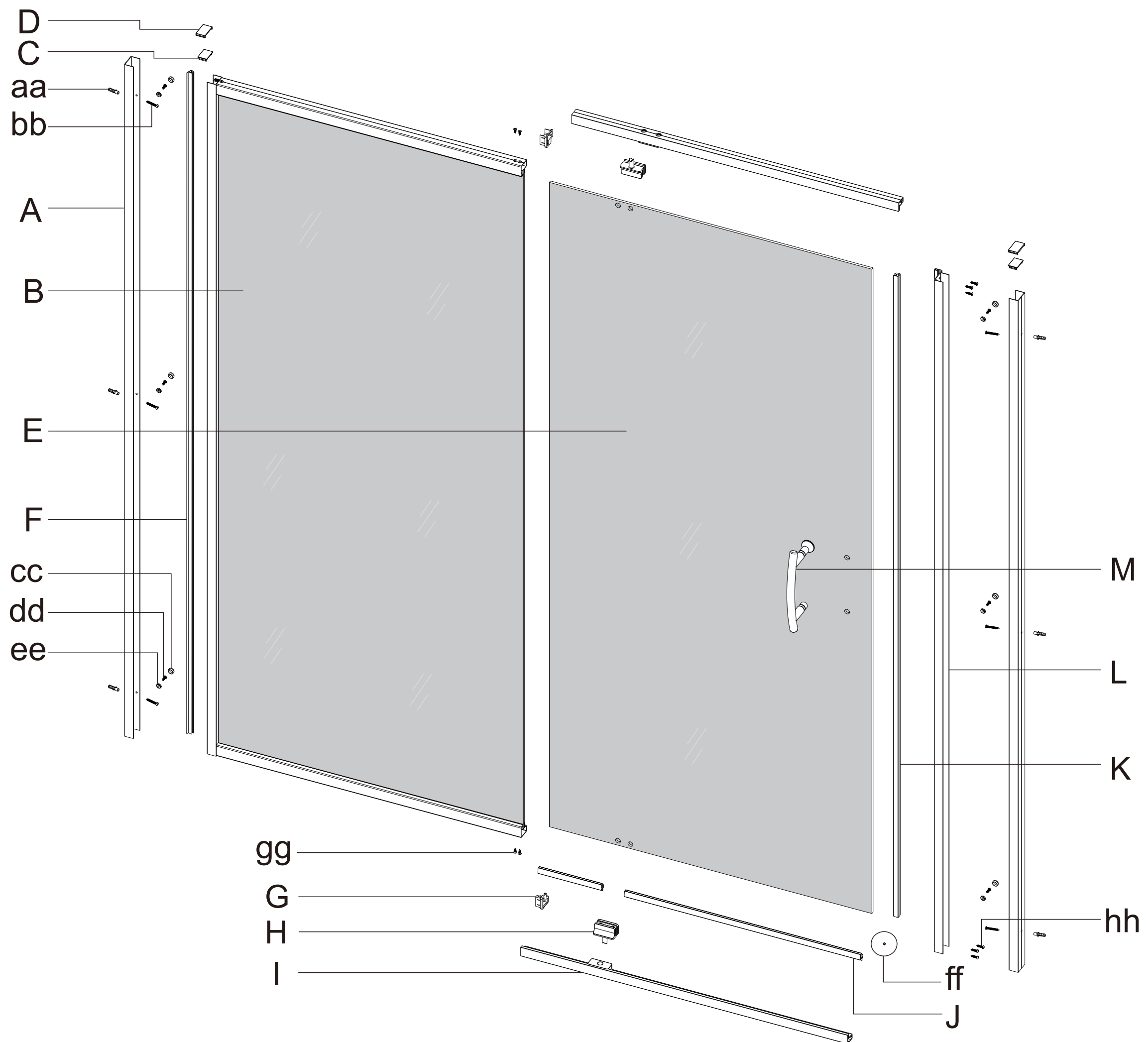


**NOTE**

This model is reversible for right or left-hand door installation. The Left-hand door installation is shown throughout this manual. For the Right-hand door installation, simply begin on the opposite wall and reverse the orientation of the installation steps shown.



PACKAGE CONTENT



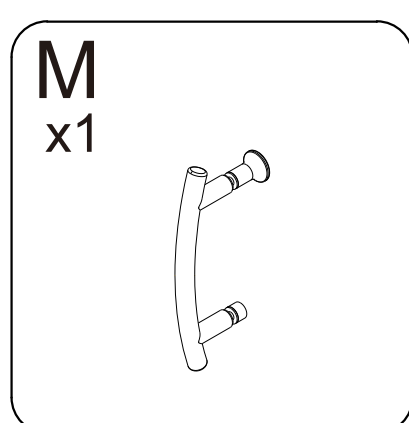
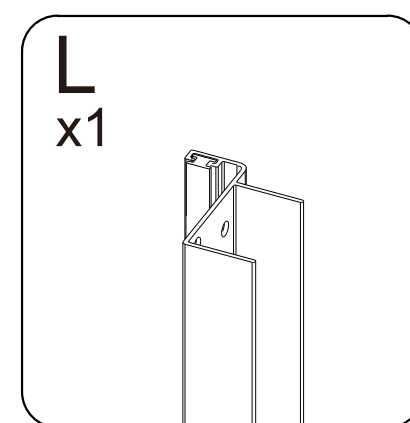
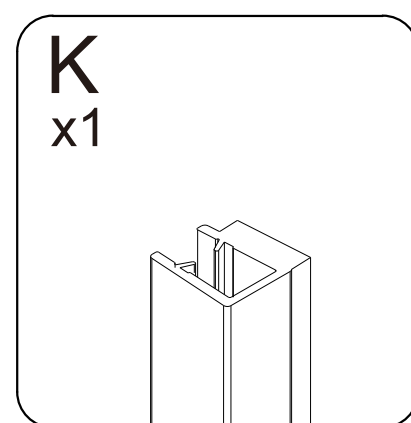
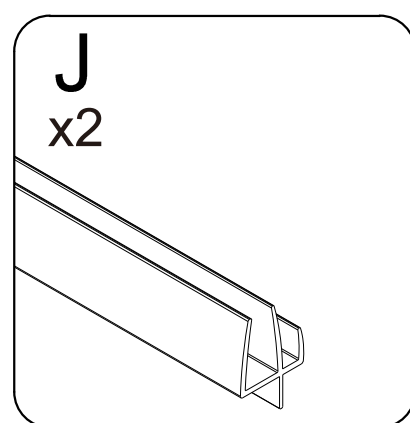
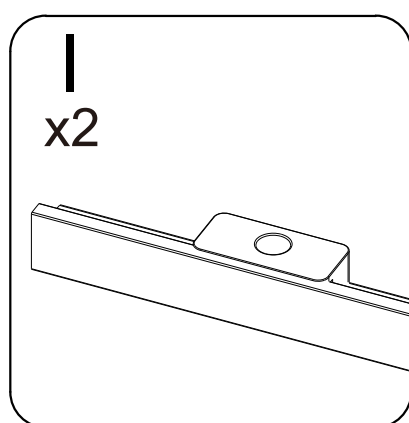
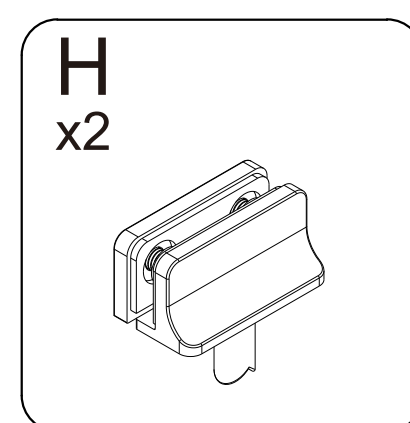
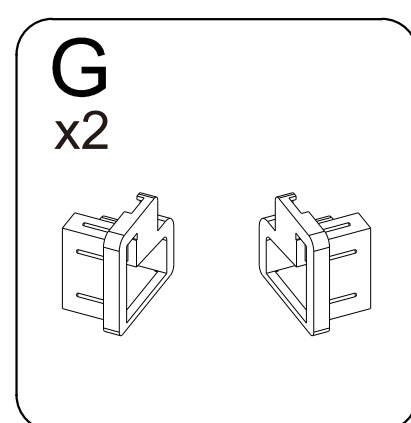
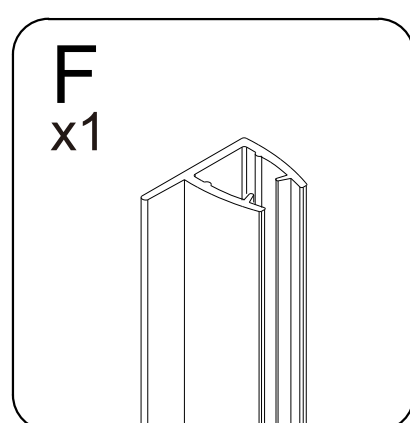
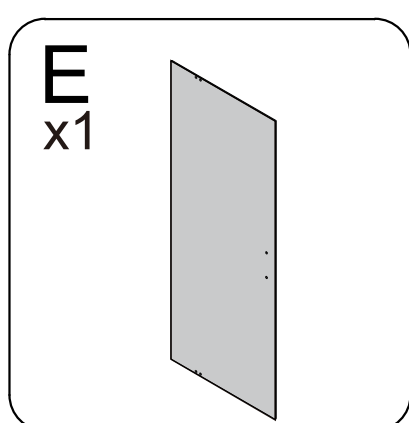
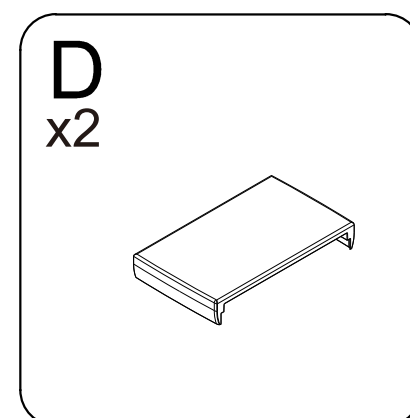
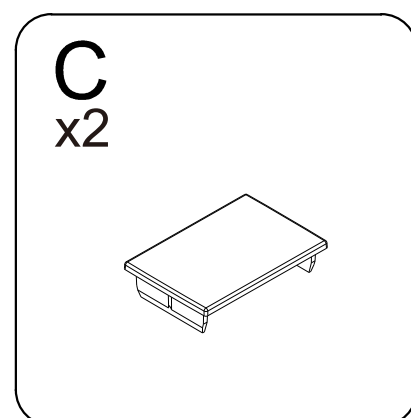
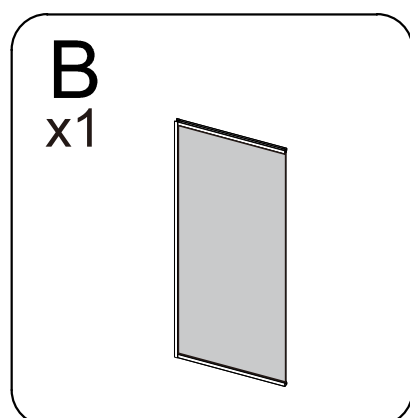
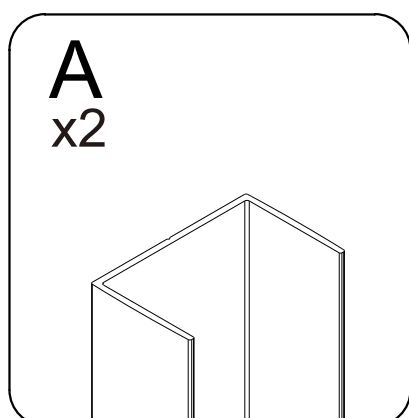
PACKAGE CONTENT

PART#	DESCRIPTION	QTY	PART#	DESCRIPTION	QTY
A	Wall Jamb	2	H	Pivot	2
B	Stationary Glass	1	I	Top & Bottom Rail	2
C	Upright Profile Cover	2	J	Bottom Anti-Water Strip	2
D	Wall Jamb Cover	2	K	Magnetic Strip	1
E	Glass door	1	L	Magnetic Strike Profile	1
F	Anti-Water Strip	1	M	Handle	1
G	Expandable rails cap	2			

**NOTE**

Inspect all parts for missing prior to installation!  
Contact us for any part missing.

PACKAGE CONTENT

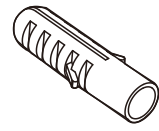


## HARDWARE CONTENT



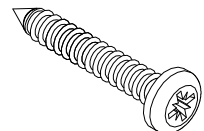
Additional spare parts are included.

aa



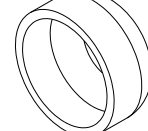
Screw anchor  
Ø6x28mm  
7 pcs

bb



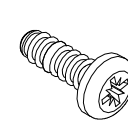
Metric Screw  
ST4X30mm  
7 pcs

cc



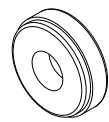
Screw cap  
6 pcs

dd



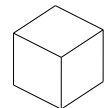
Metric Screw  
ST4X8mm  
6 pcs

ee



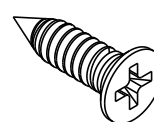
Washer  
Φ10XΦ5X1.0  
6 pcs

ff



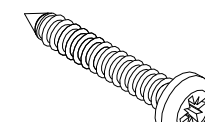
Choke Plug  
1 pcs

gg



Metric Screw  
ST5X12mm  
4 pcs

hh



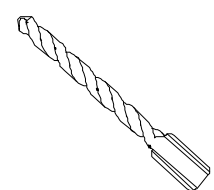
Metric Screw  
ST4X16mm  
6 pcs

NOTE

Inspect all parts for missing prior to installation!  
Contact us for any part missing.

TOOLS REQUIRED

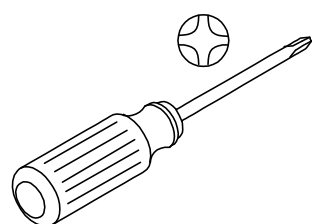
Drill Bits



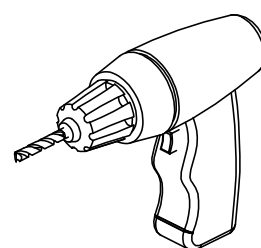
Ø1/8" & Ø1/4" (3 & 6mm) dia.

HSS

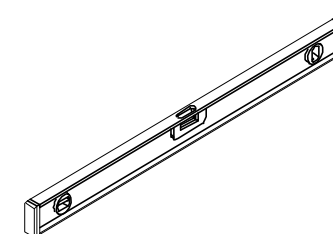
Screw Driver



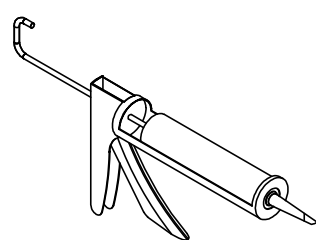
Drill



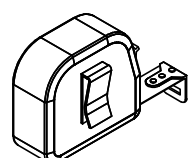
Level



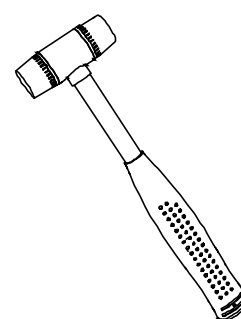
Silicone



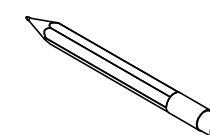
Measuring Tape



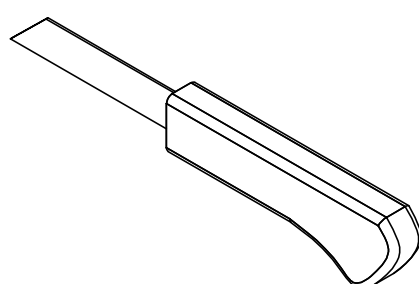
Soft Head Hammer



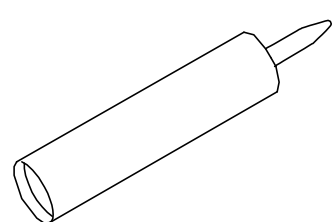
Pencil



Knife



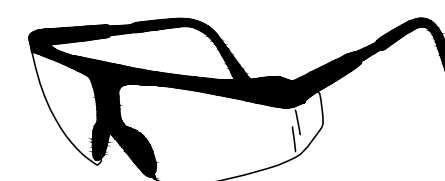
Sealant



MASONRY DRILL BIT FOR TILE  
Ø6mm



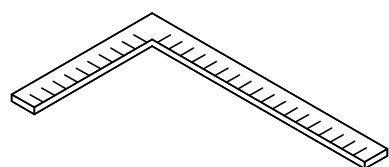
Safety Glasses



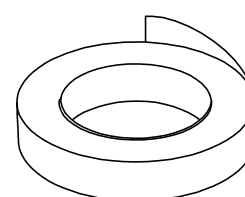
Glove



Carpenter's Squarer



Masking or painter's tape



## SAFETY INFORMATION

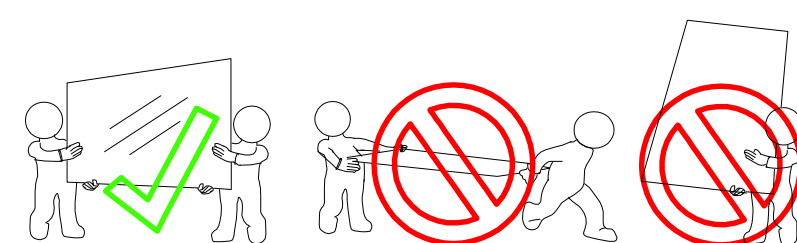
### CAUTION

Please carefully read the following important safety information before handling or installing this shower. There is a risk of serious injury while handling this product.

To minimize these risks, please note:

- Always wear safety glasses and gloves while handling.
- Always follow the installation instructions.
- Inspect glass for damage before installation.
- Extreme caution should be taken while handling the glass during installation as the tempered glass may shatter if in contact with a hard surface.
- Do not cut or modify the tempered glass as it will shatter if cut.
- Carefully remove product from packaging and keep packaging until installation is complete.
- Inspect all parts for damage or missing; if there is damage or part missing to the unit prior to installation, please contact customer service at the number provided in this guide.
- Cover the drain with tape to prevent the loss of small parts.
- The shower base and finished walls should be installed before beginning the shower door installation.
- During the installation, protect the shower floor with a drop cloth to avoid damage.
- This product should be installed by two people who are familiar with construction requirements. Professional installation is recommended!
- Keep this installation manual for future reference.

**NOTE:** Two people should perform this installation.

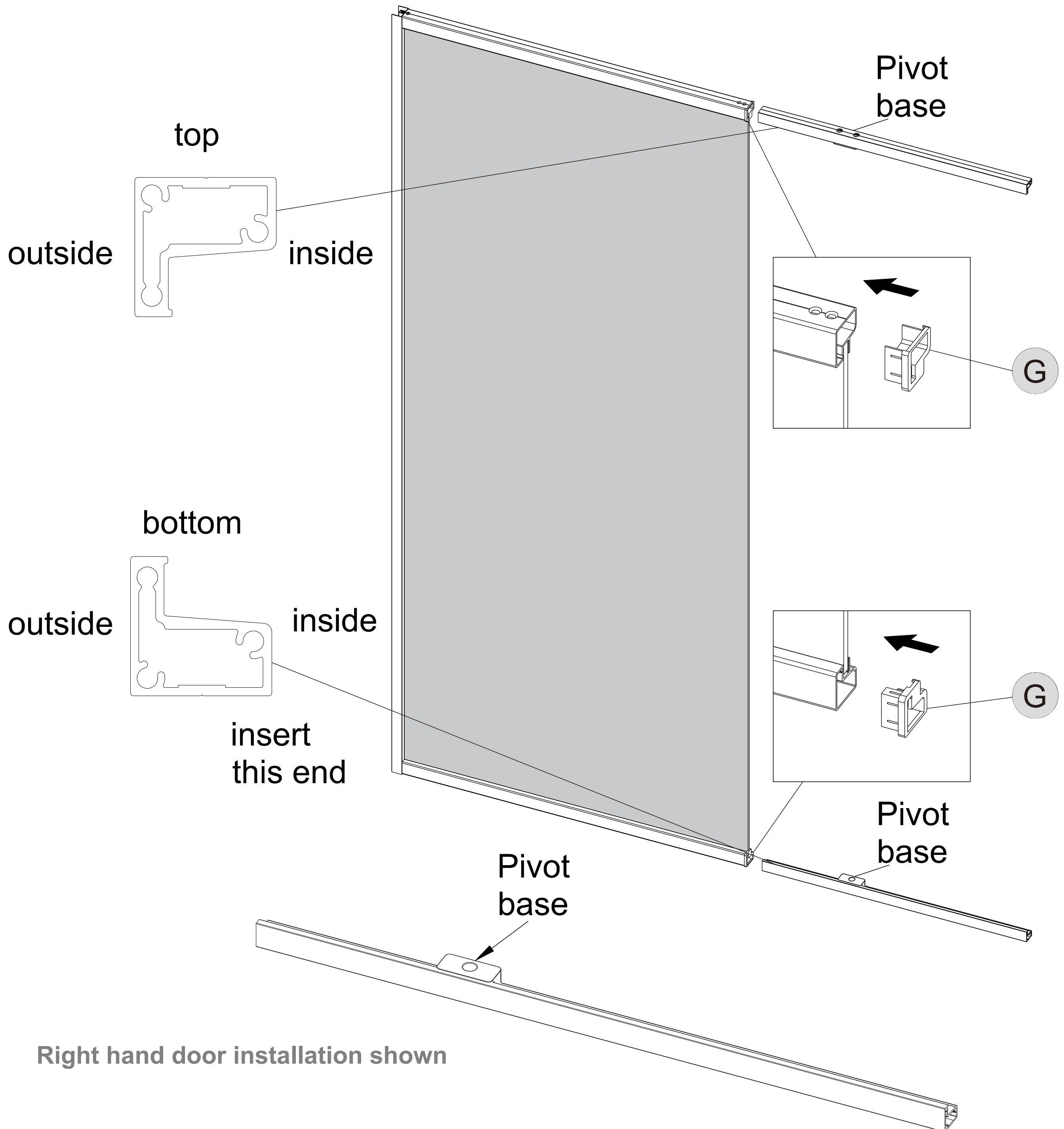


1

**Top & Bottom Rails (I) & Expandable rails cap(G) Installation**

NOTE

1. Insert the expandable rails cap (G) into the expandable rails of the **Stationary Glass (B)**.
2. Insert the **Top & Bottom Rails (I)** into the expandable rails of the **Stationary Glass (B)**.  
Insert the end that is closest to the pivot base.

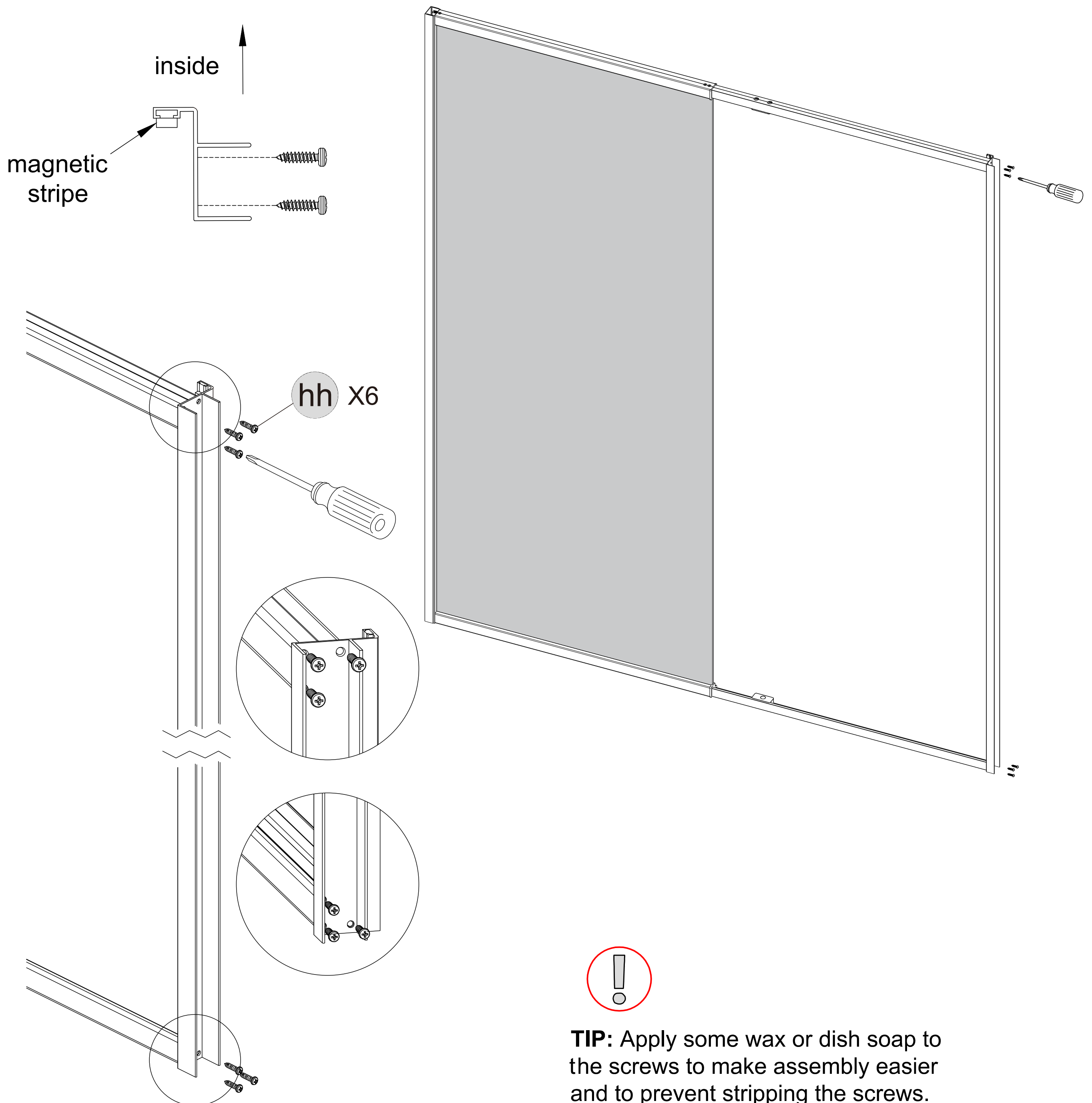


Right hand door installation shown

## 2 Magnetic Strike profile (L) Installation

NOTE

Attach the **Magnetic Strike Profile (L)** to the **Top & Bottom Rails (I)** using 6pcs of the **ST4 x 16 Screws (hh)**. (The side with magnetic stripe is inside)



### 3 Wall Jamb (A) Installation

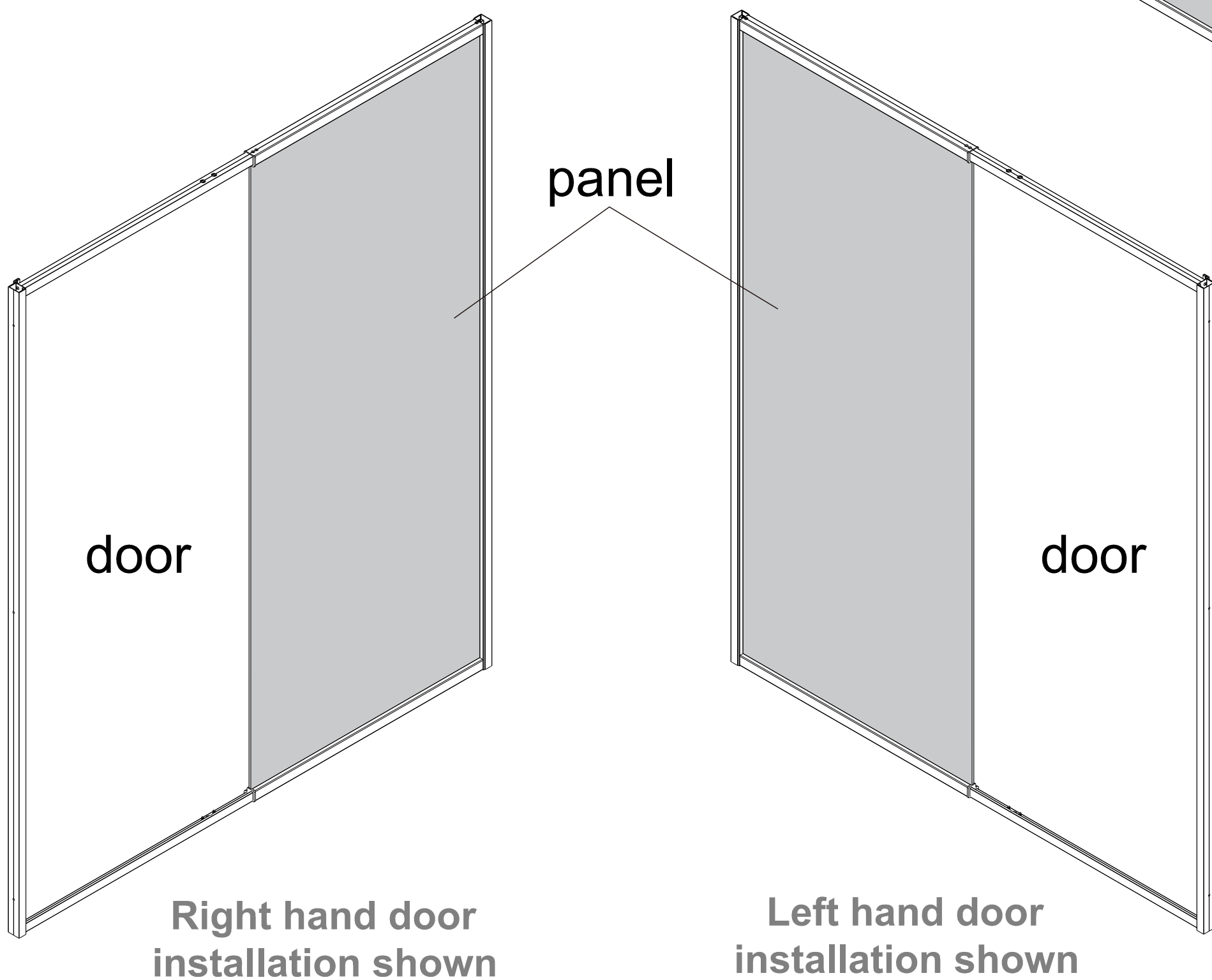
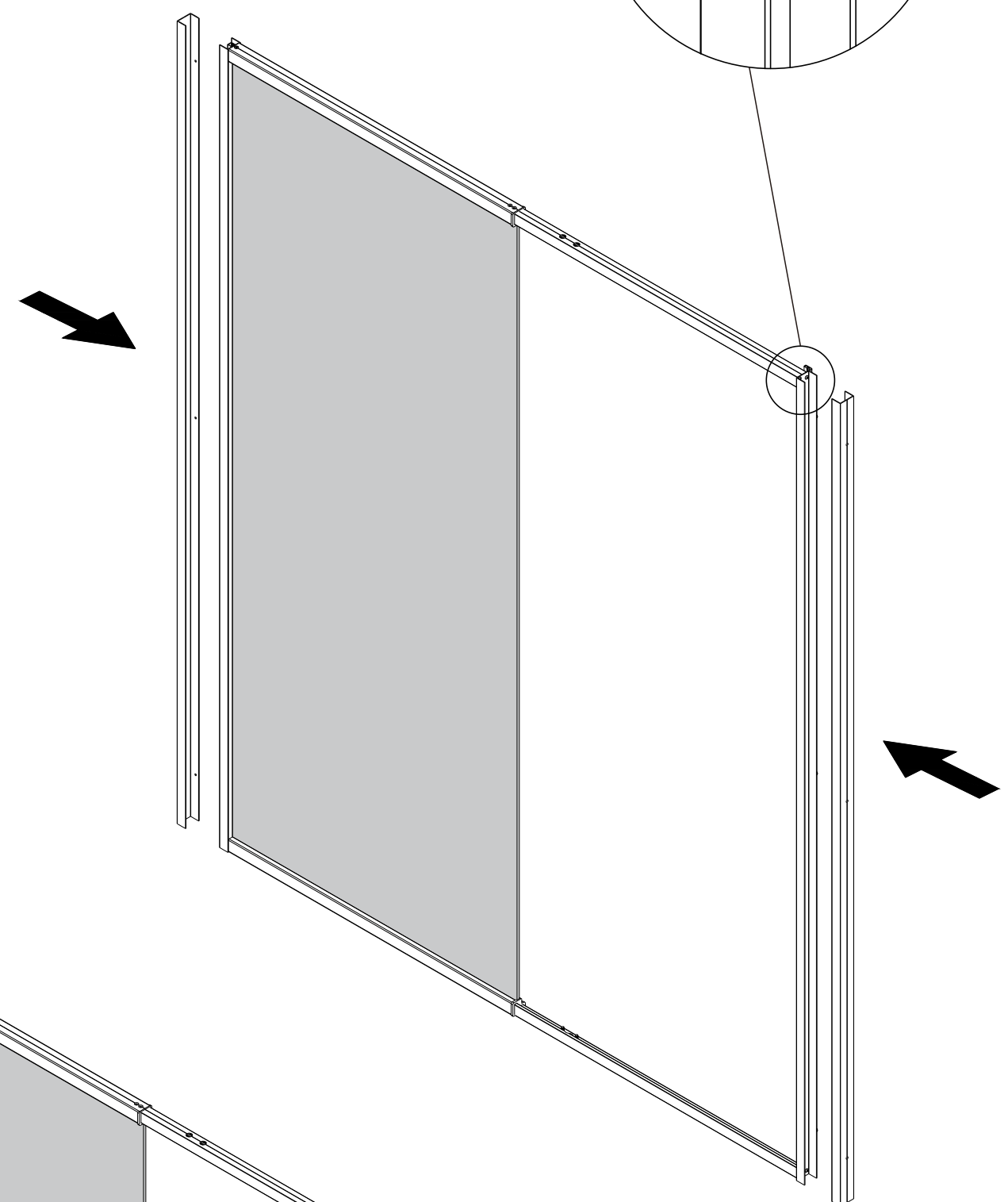
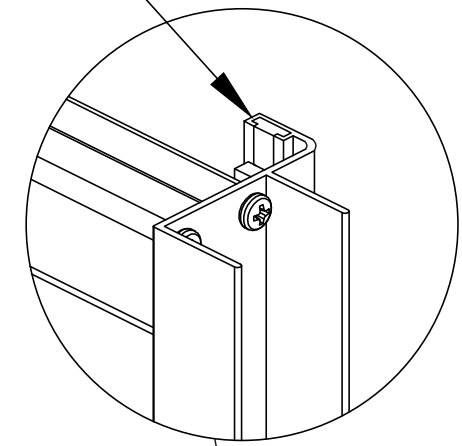
NOTE

Slide both of the the **Wall Jamb (A)** over the frame assembly. Be sure that the flange on the **Magnetic Strike Profile (L)** faces towards the shower.

NOTE

At this point, the entire assembly can be flipped for either left or right hand door installation. However, the flange on the wall profiles must face into the shower.

flange

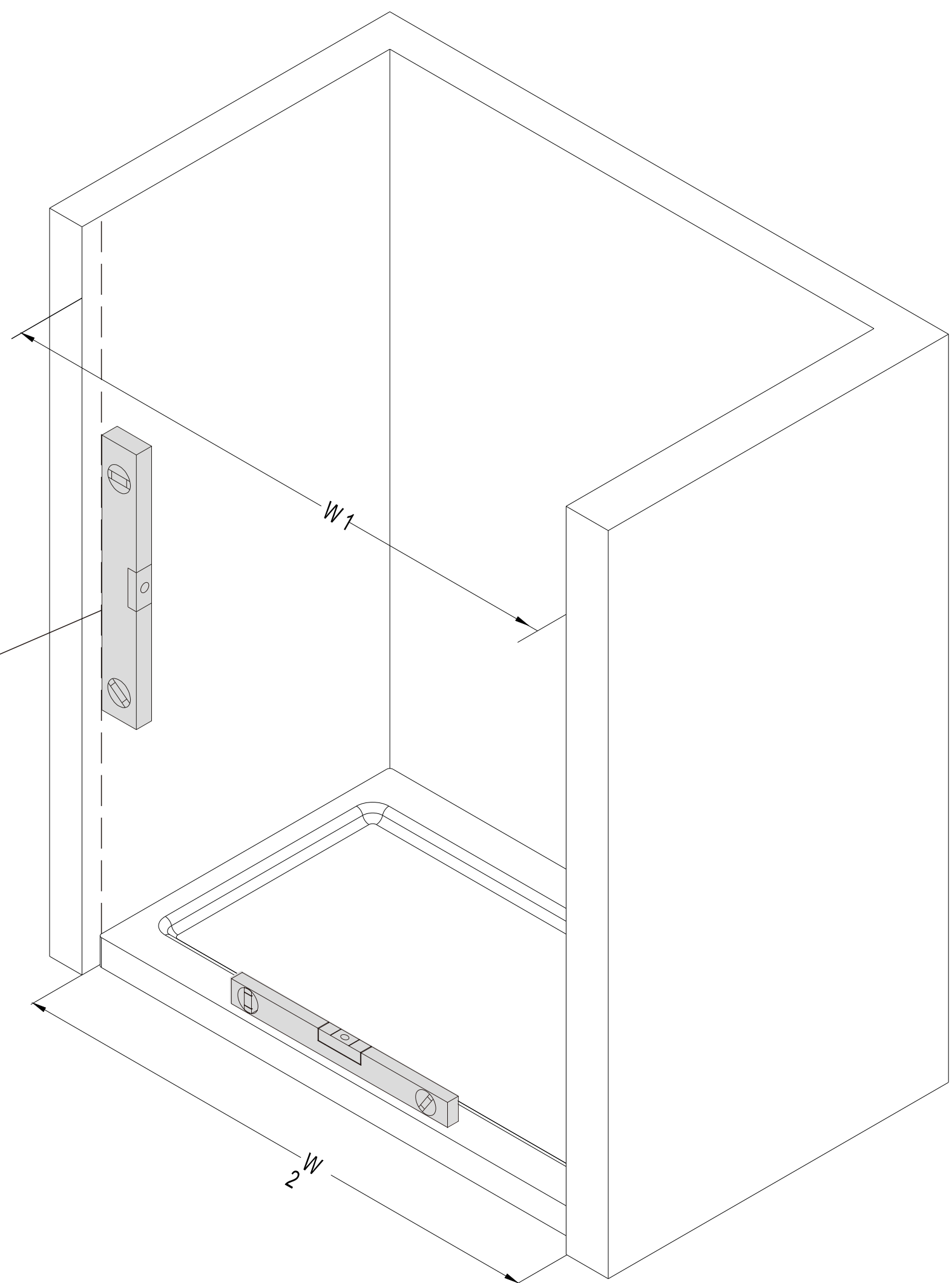


**4** Measure the finished opening width.

NOTE

1. Measure the finished opening width at the bottom and at the model height.
- Use these dimensions as "W1" (top) and "W2"(bottom) in step #2.
2. Also check the threshold for level and the walls for plumb.

3/8"(10mm) Maximum out of plumb adjustment from top to bottom



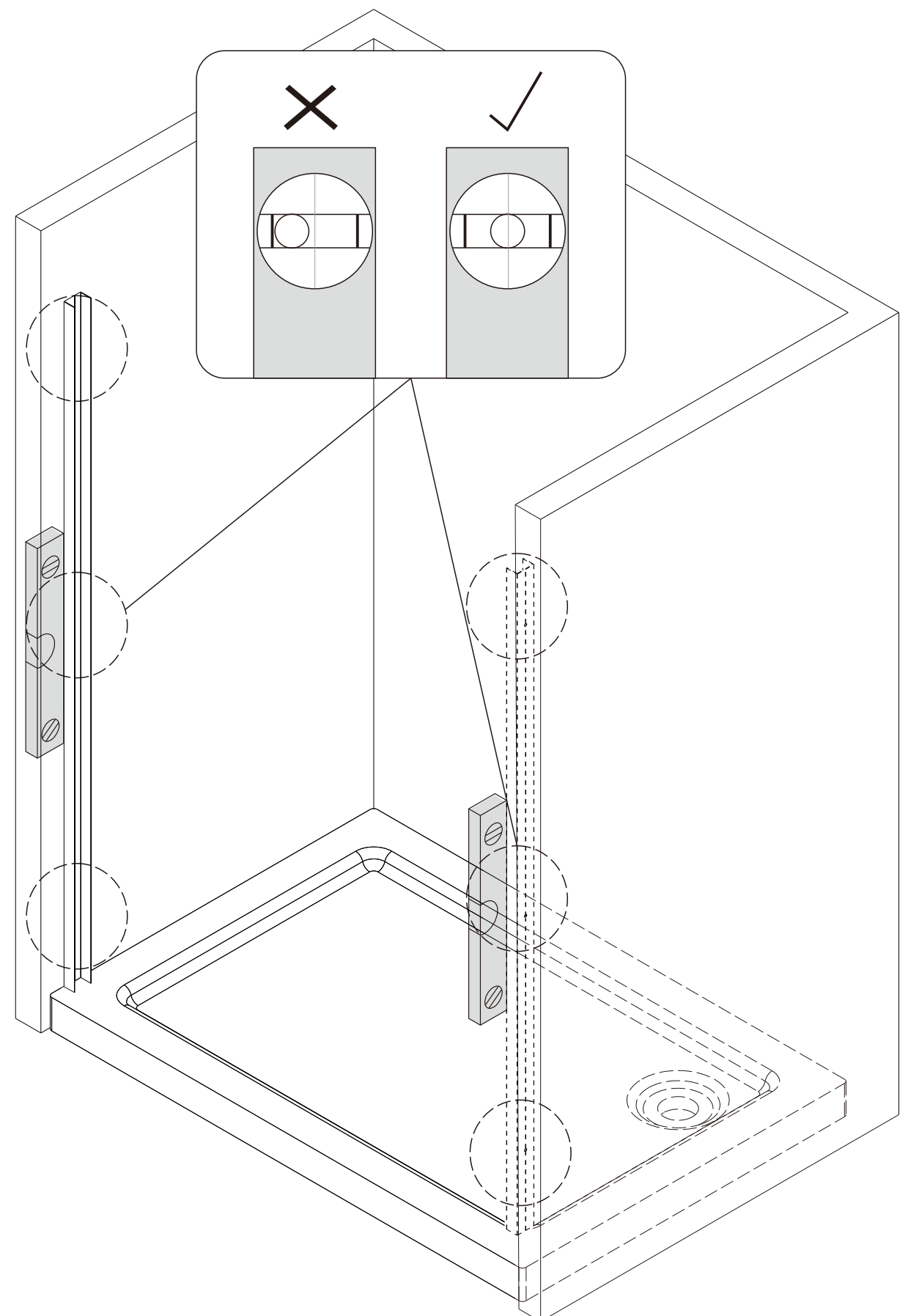
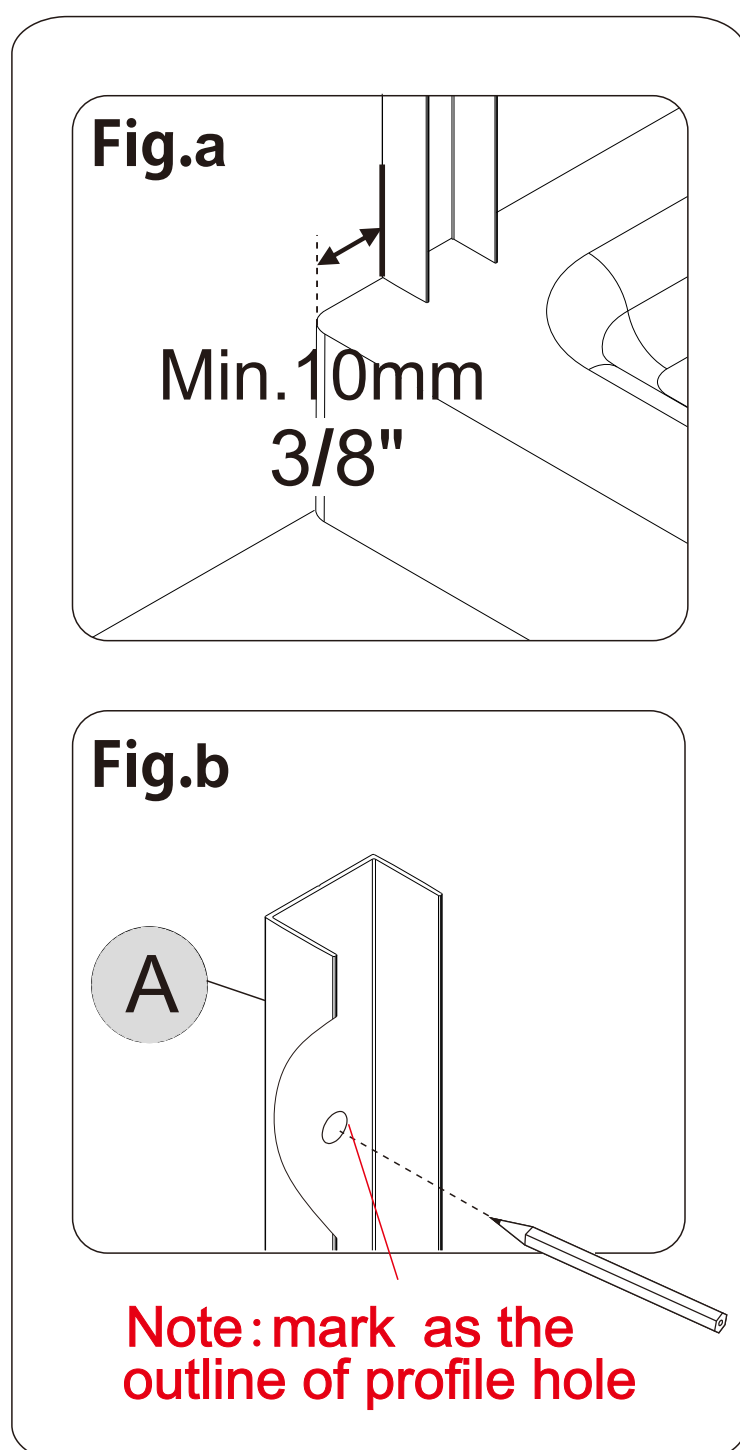
\_\_\_\_\_ Finished opening top (W1)

\_\_\_\_\_ Finished opening bottom (W2)

**5** Determine your step in from the edge of tray and plumb your **Wall Jamb(A)**.

NOTE

1. Determine your step in from the edge of tray ( 3/8" (10mm) is recommended) and mark the position as Fig.a.
2. Plumb your **Wall Jamb(A)** on each side and then mark screw holes position as Fig.b.

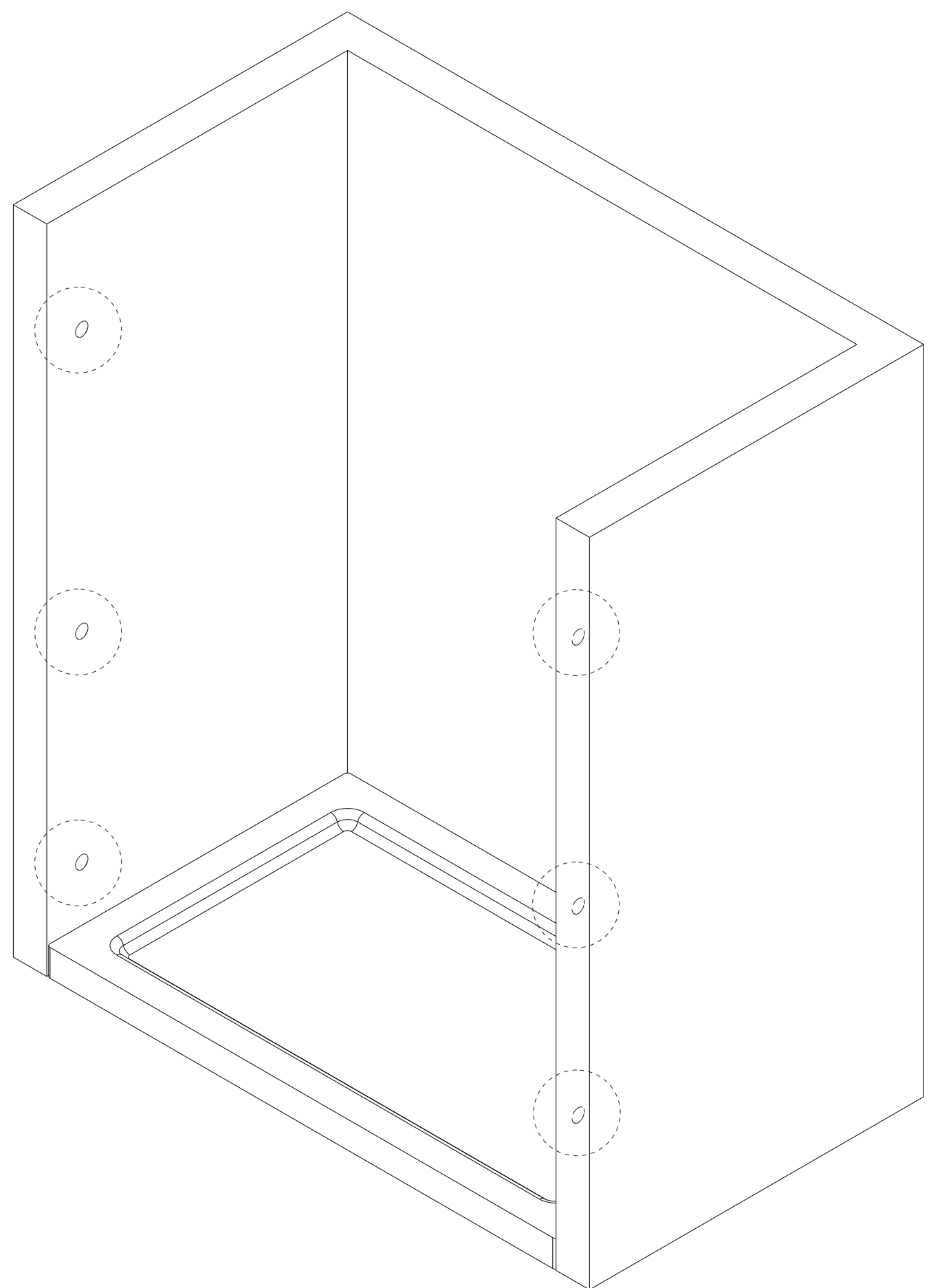
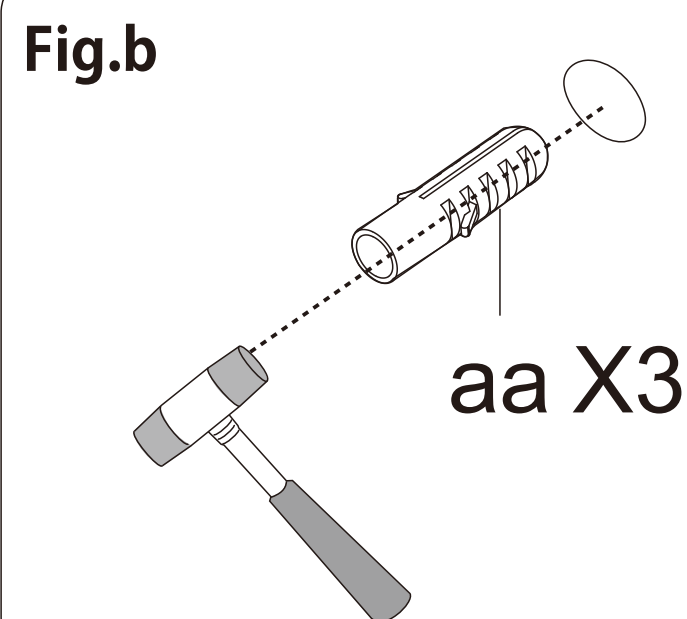
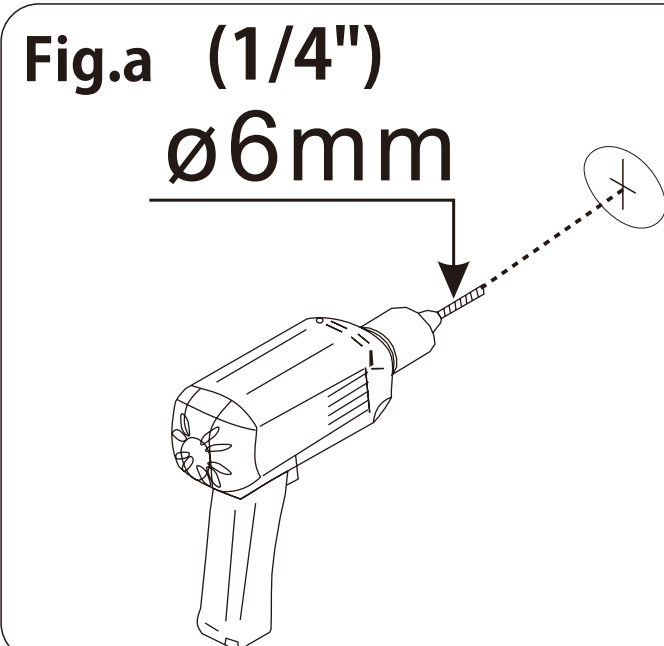


Note: The shower door can be installed left or right, according to the need to determine the installation direction.

**6** Drill screw holes for **Wall Jamb(A)** and insert in the **Wall Anchor(aa)**.

NOTE

1. Drill holes with  $\Phi 6\text{mm}$ (1/4") drill bit as Fig.a.
2. Insert the **Wall Anchor(aa)** as Fig.b.



NOTE

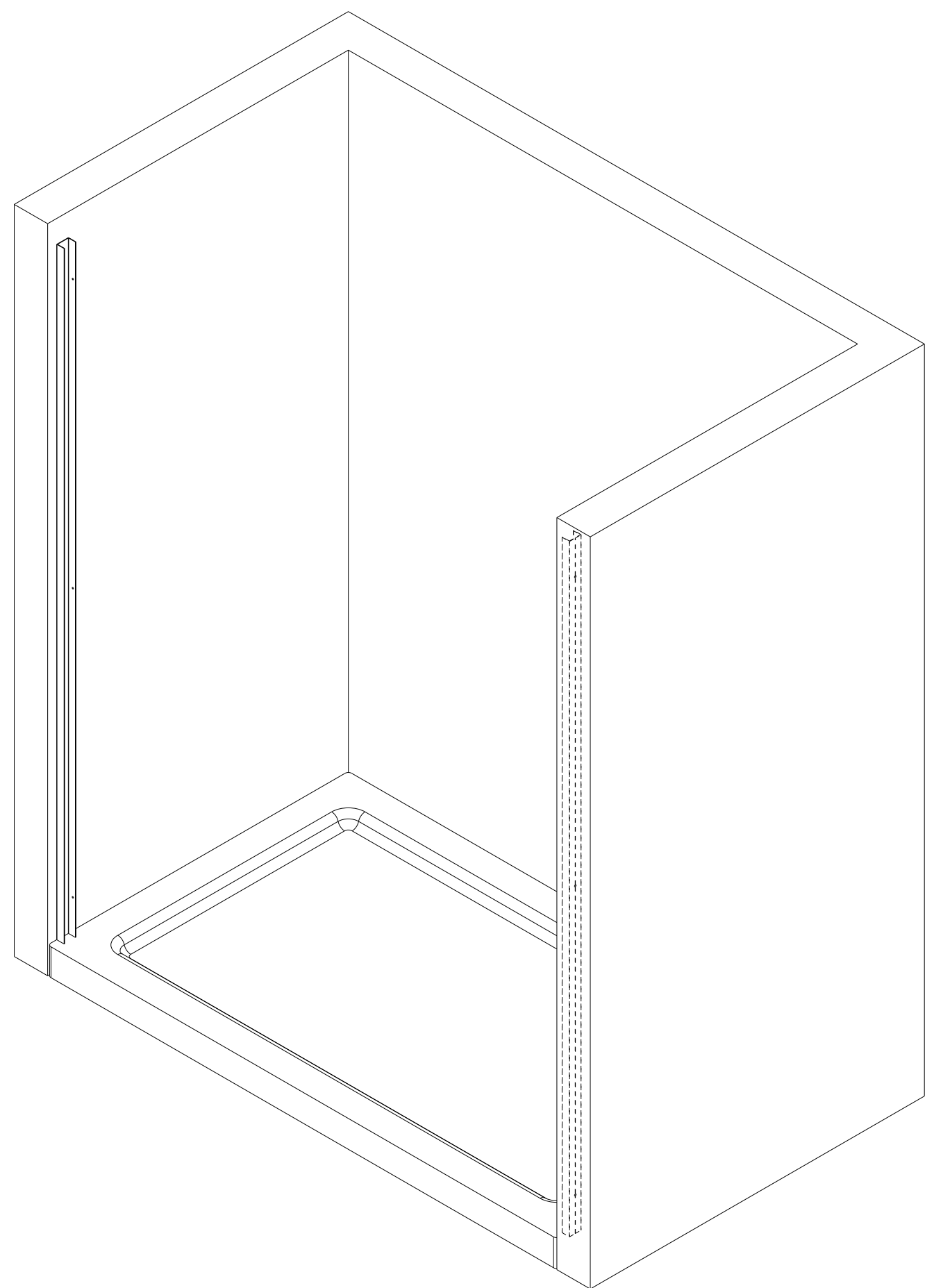
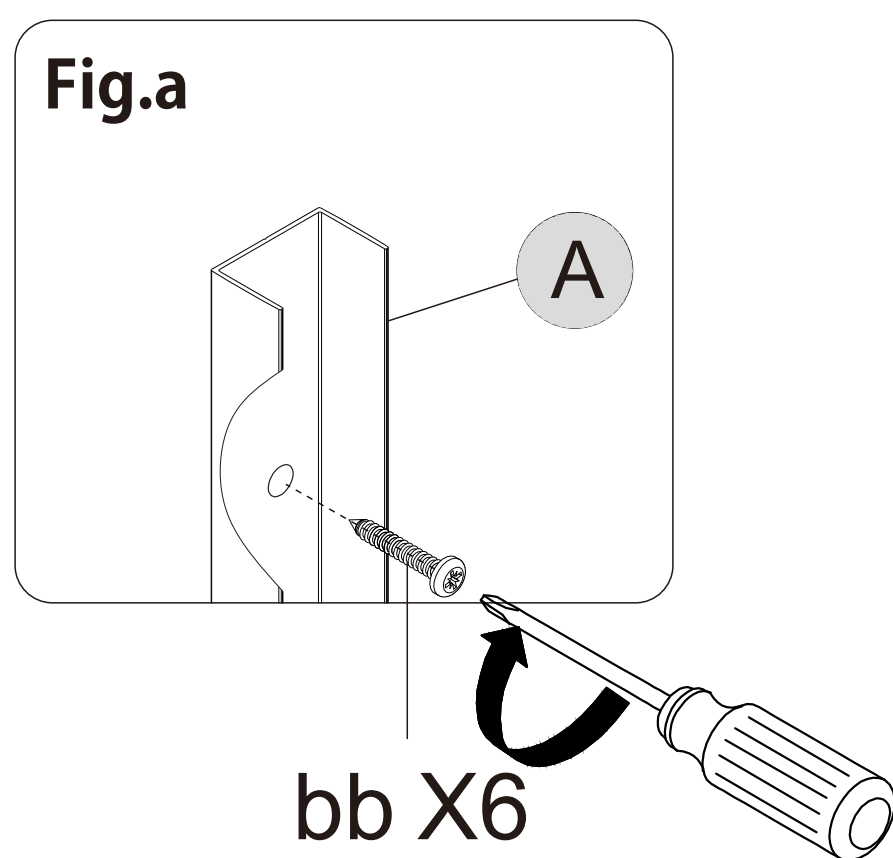
- If a Stud is present behind the wall:  
drill  $\Phi 1/8"$ (3mm) pilot holes into the stud and use the ST4.0x30mm **Screws(bb)**  
OR
- If NO Stud is present behind the wall:  
drill  $\Phi 1/4"$ (6mm) holes and insert the **Wall Anchors(aa)** and use the ST4.0x30mm **Screws(bb)**.



**Note: The shower door can be installed left or right, according to the need to determine the installation direction.**

**7** Install **Wall Jamb(A)**.

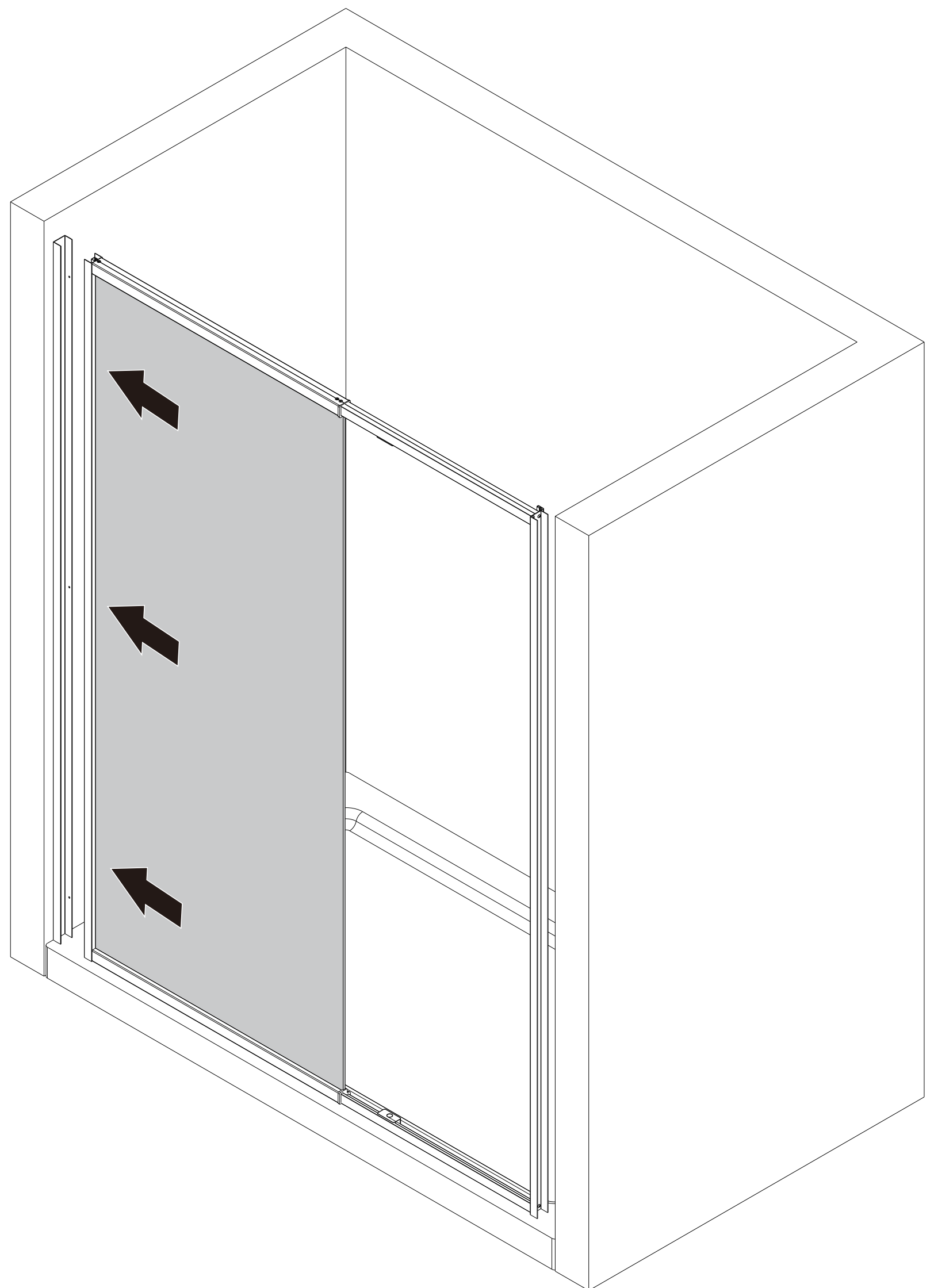
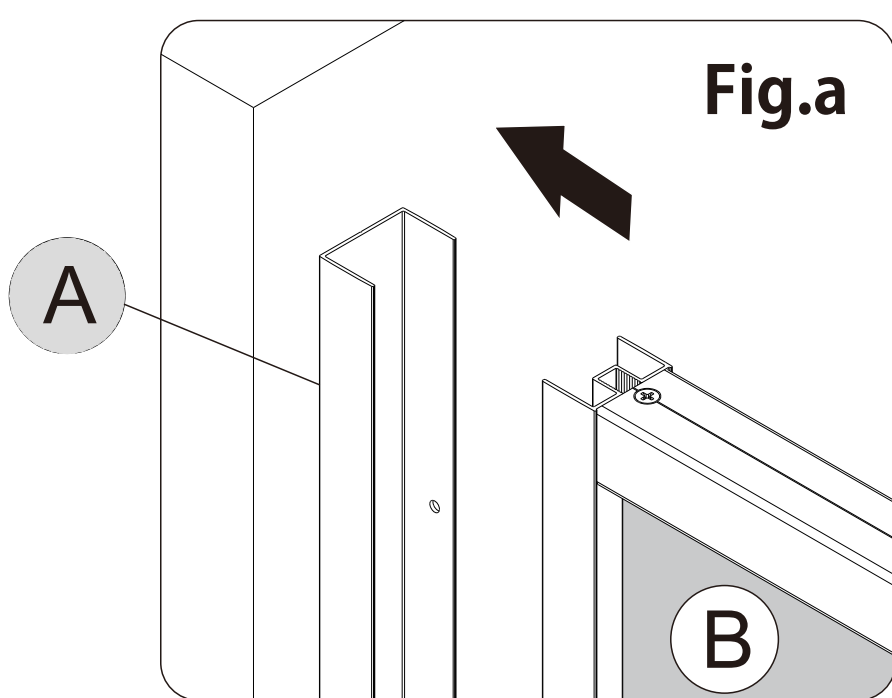
**NOTE** 1. Fix **Wall Jamb(A)** with **Screw(bb)** as Fig.a .



**Note:** The shower door can be installed left or right, according to the need to determine the installation direction.

**8** Install the Door Frame

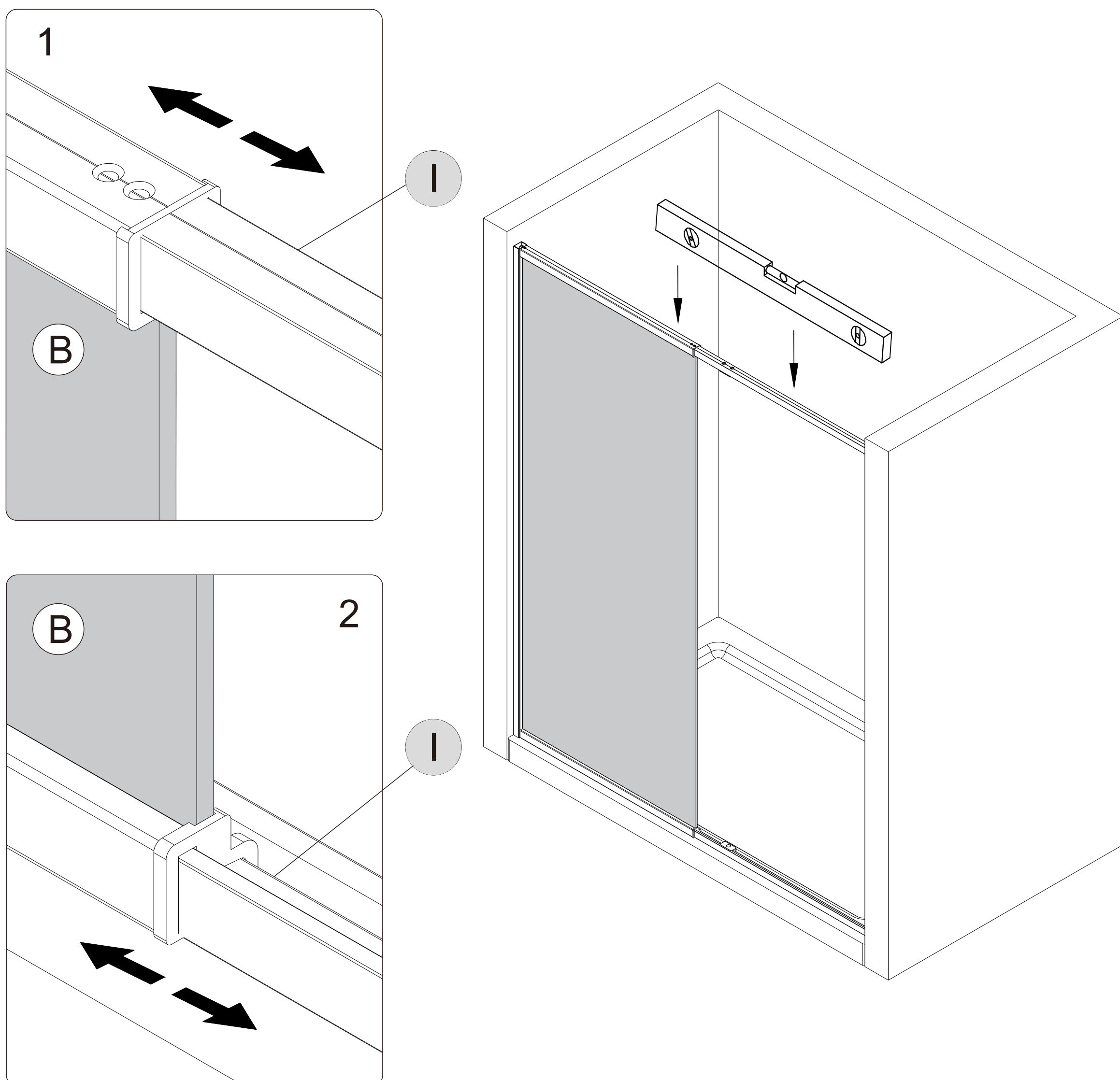
**NOTE** 1. Install the door frame inside the **Wall Jamb(A)** as Fig.a.



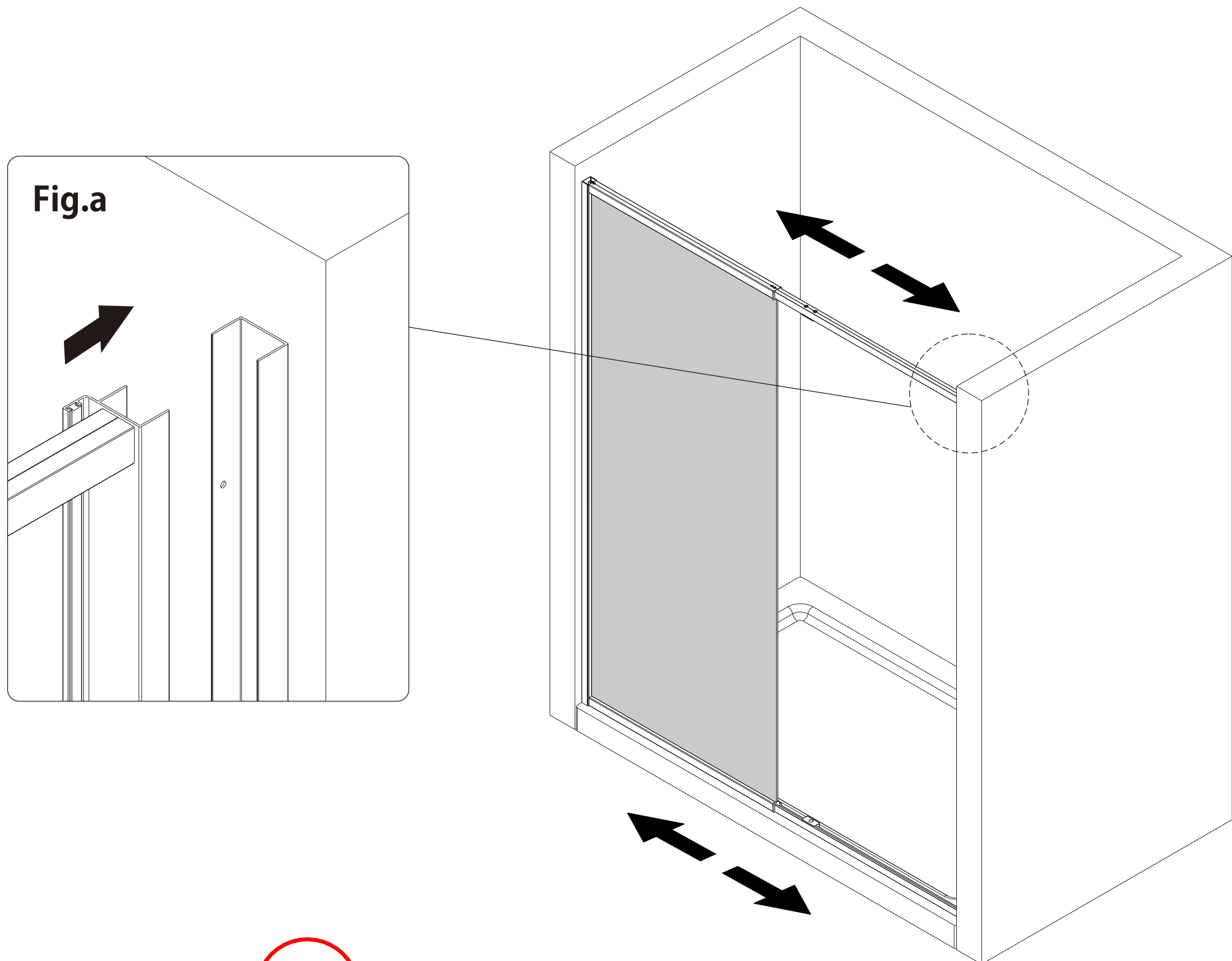
## 9 Door Assembly Adjustment

NOTE

Place the assembly onto the threshold at the desired location and extend the expandable **Top & Bottom Rails (I)** evenly.



**10** Door Assembly Installation

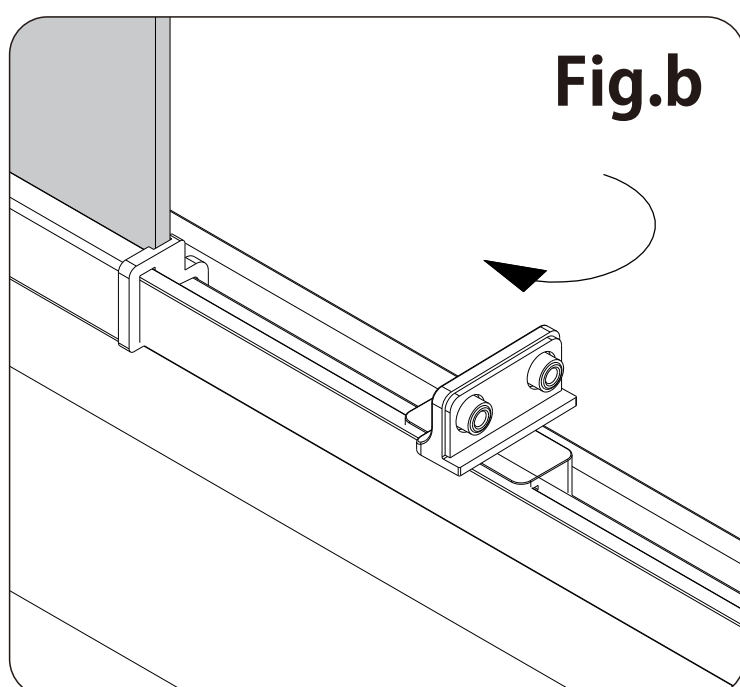
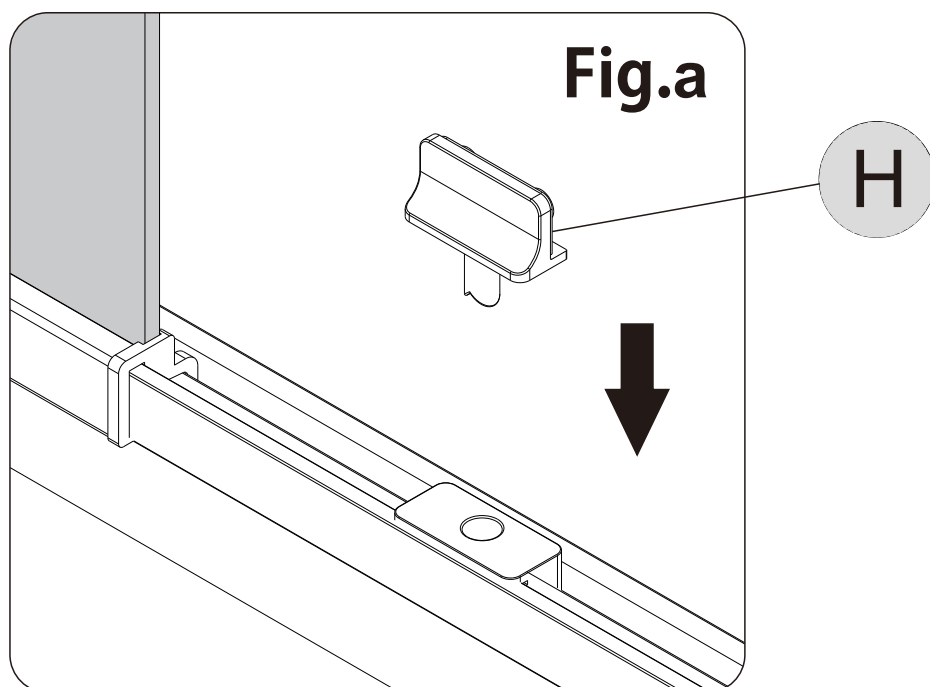
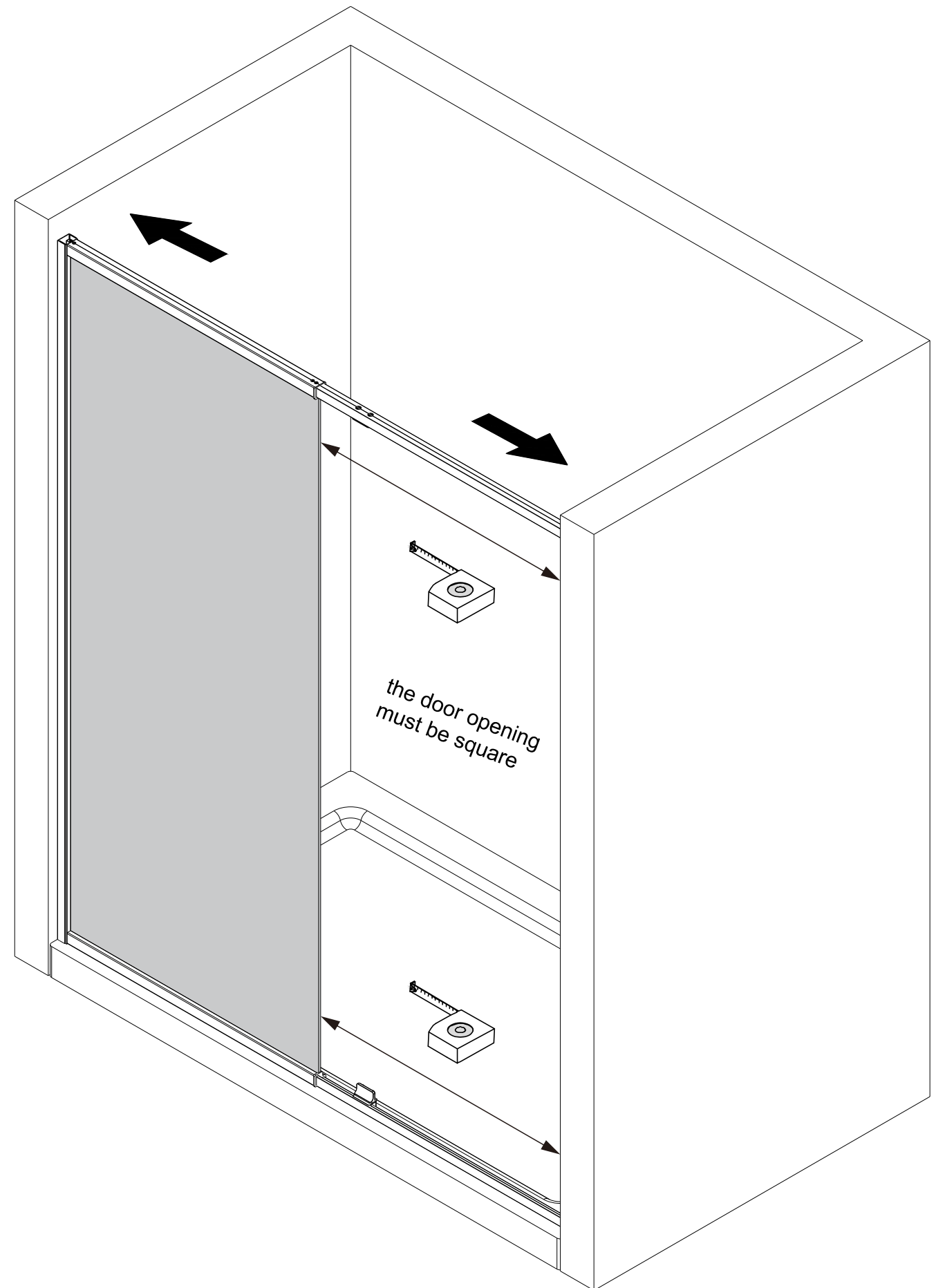


**NOTE**

Extend the Expandable Rails **Top & Bottom Rails (I)** evenly so that the **Magnetic Strike Profile (L)** goes into the opposite **Wall Jamb (A)** on the door-side of the opening as Fig a .

**11** Install **Pivot (H)**.

1. Check and adjust the door opening for square and make certain that the entire assembly is tight to the threshold.



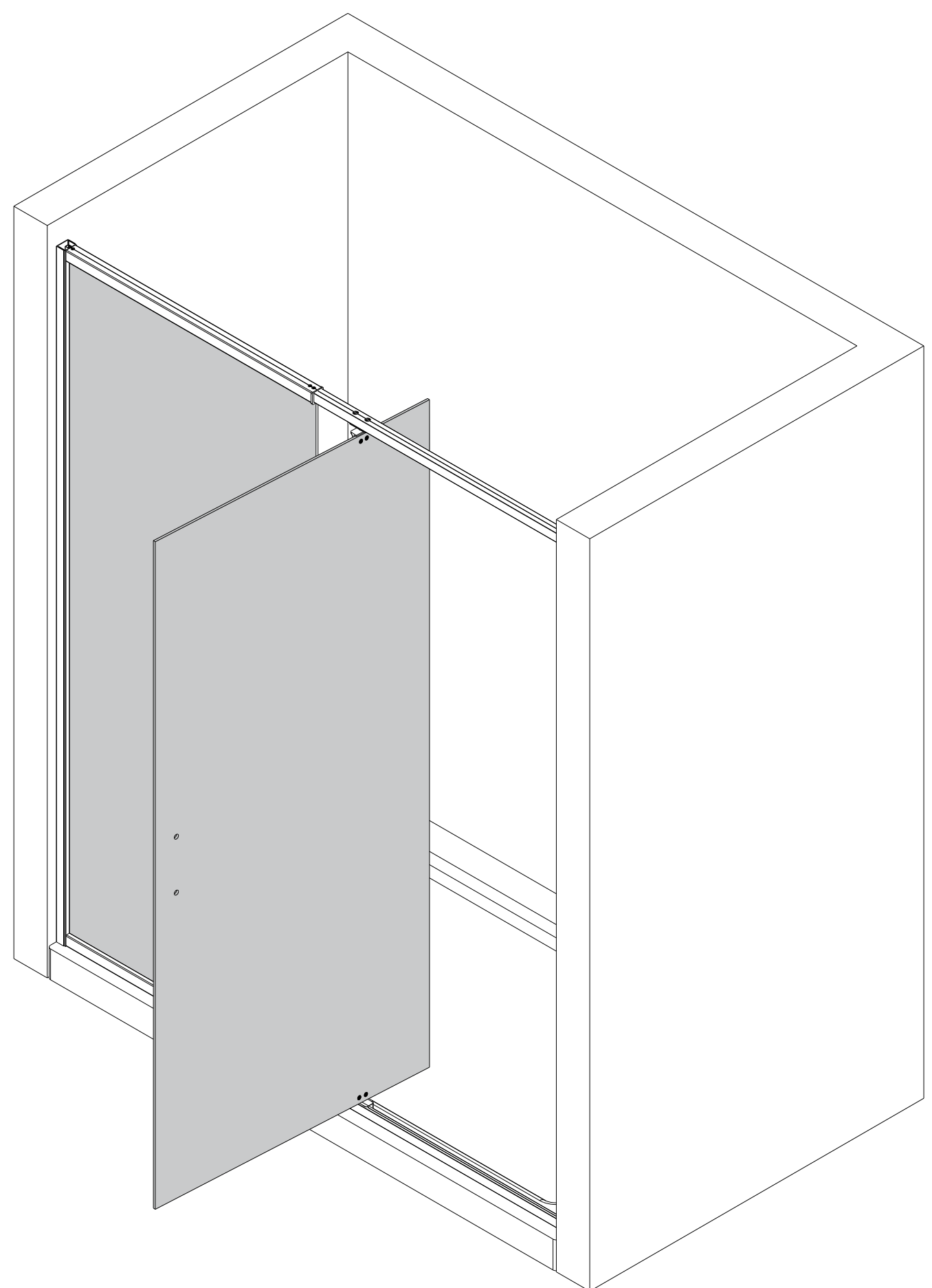
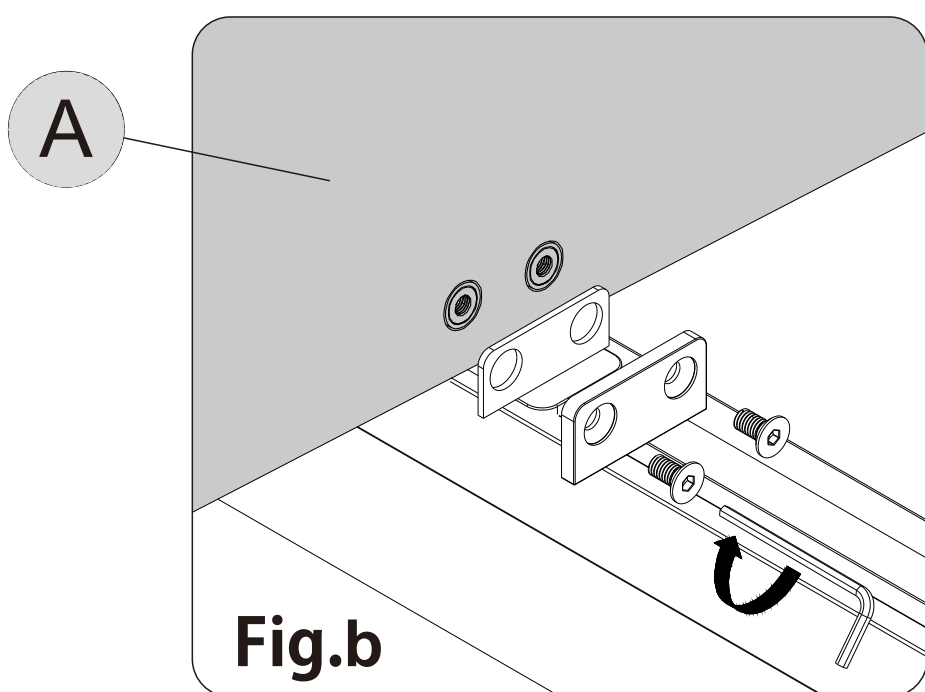
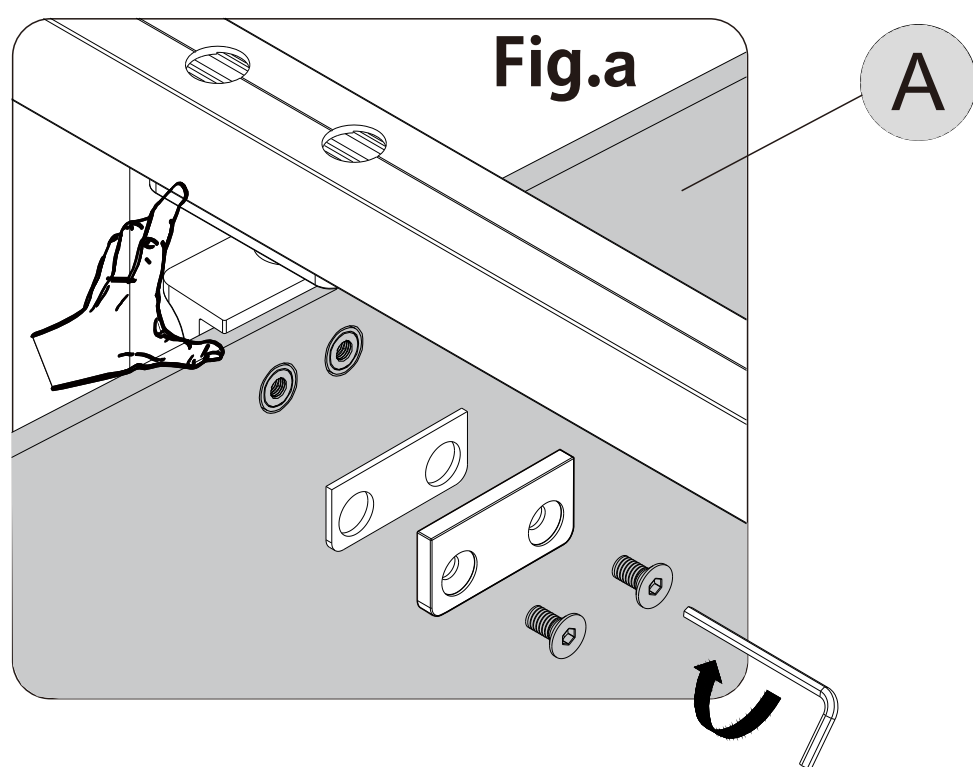
2. Install one **Pivot (H)** into the pivot bases of the **Bottom Rails (I)**. **Note:** The another **Pivot (H)** is installed next step as Fig.a and Fig.b.

**12** Install **Glass Door (E)**.

**NOTE**

Carefully install the **Glass Door (E)** onto **Bottom Rails (A)**. install the another Pivot(H) into the pivot bases of the Top Rails (A) and hold the upper **Pivot (H)**. and then install the **Glass Door (E)** onto **Top Rails (I)**.

1. Install the pivot fixing plate as Fig a and Fig b.

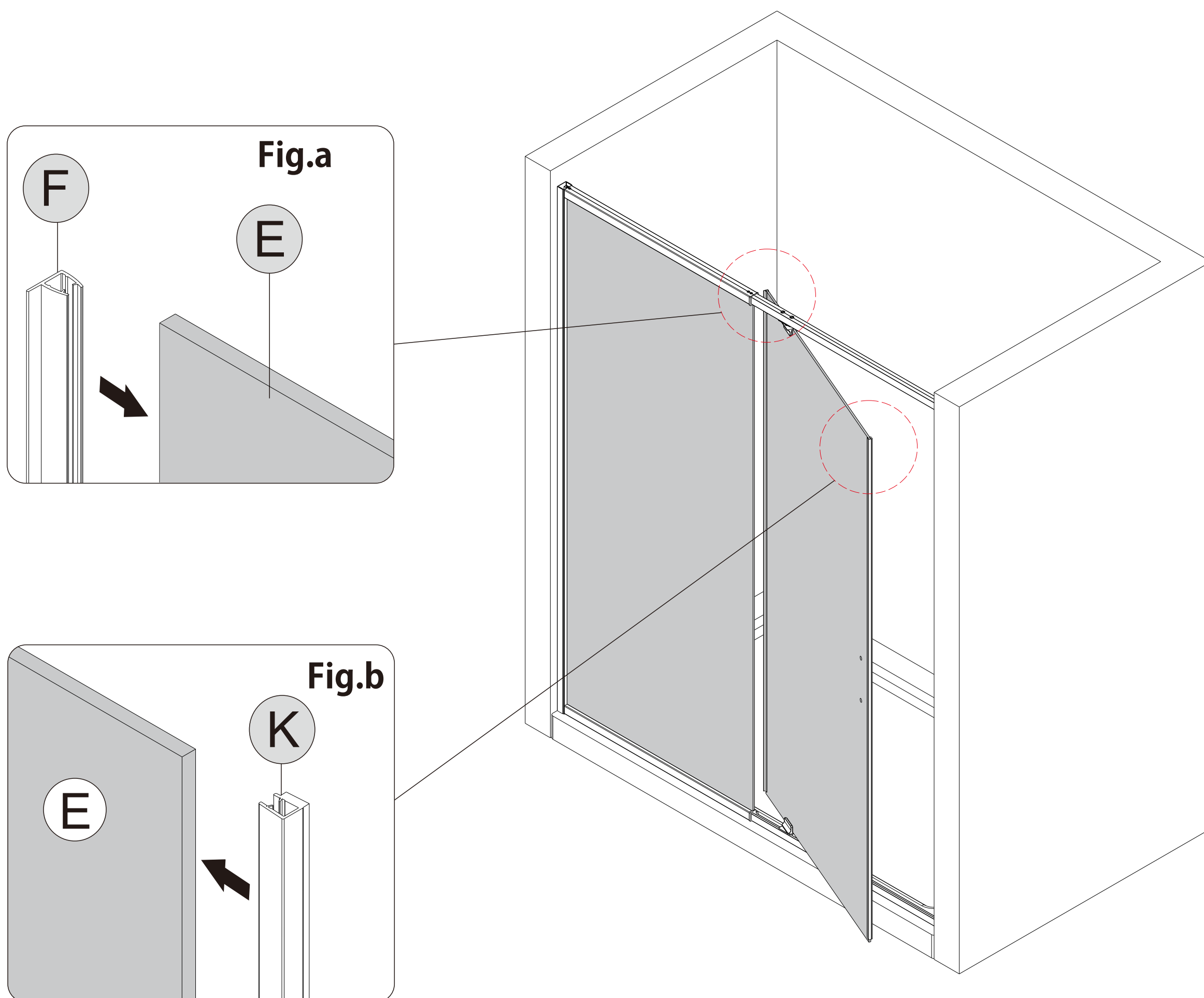


Right hand door installation shown

**13** Install **Anti-Water Strip(F)** and **Magnetic Strip(K)**.

NOTE

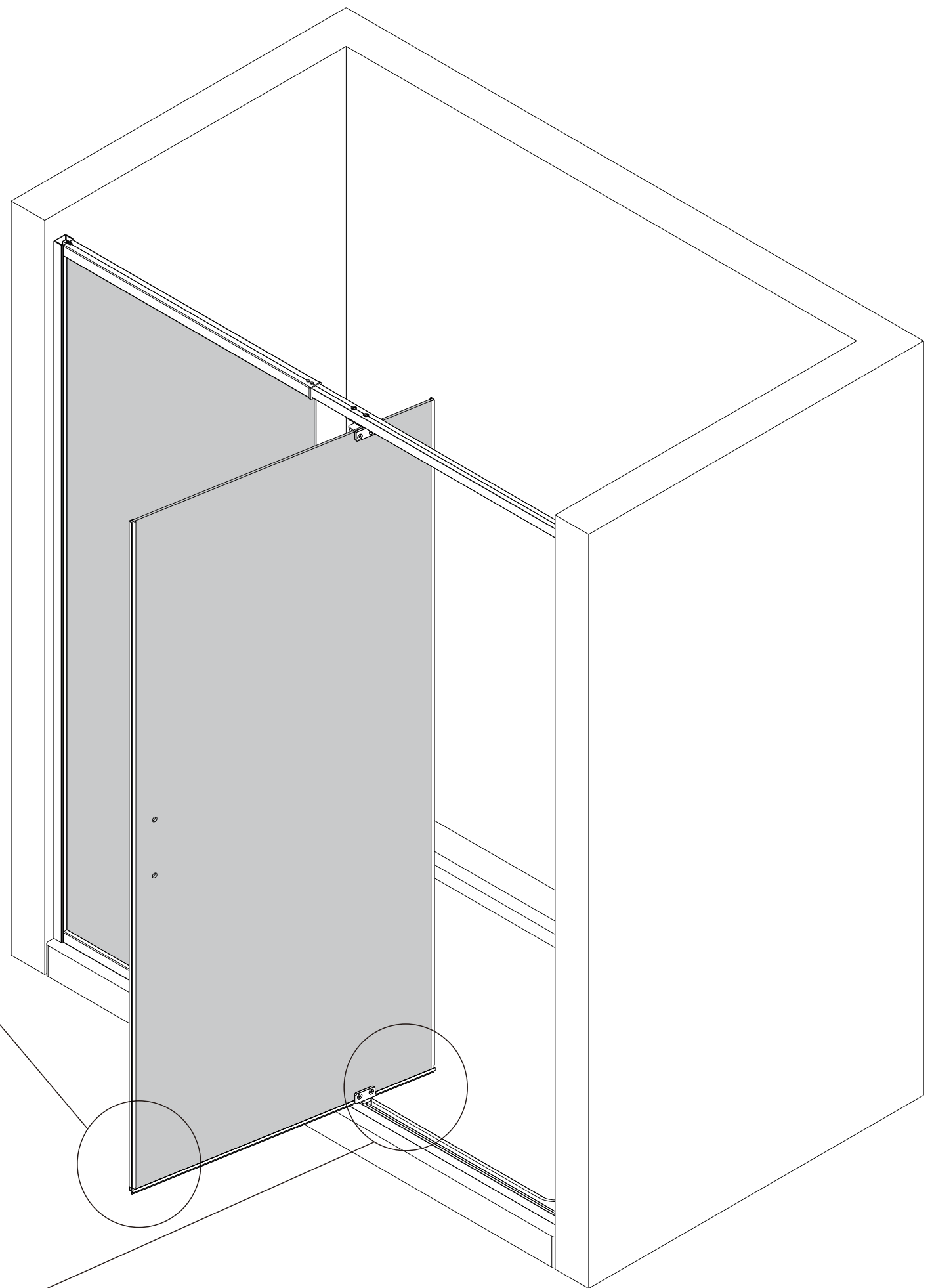
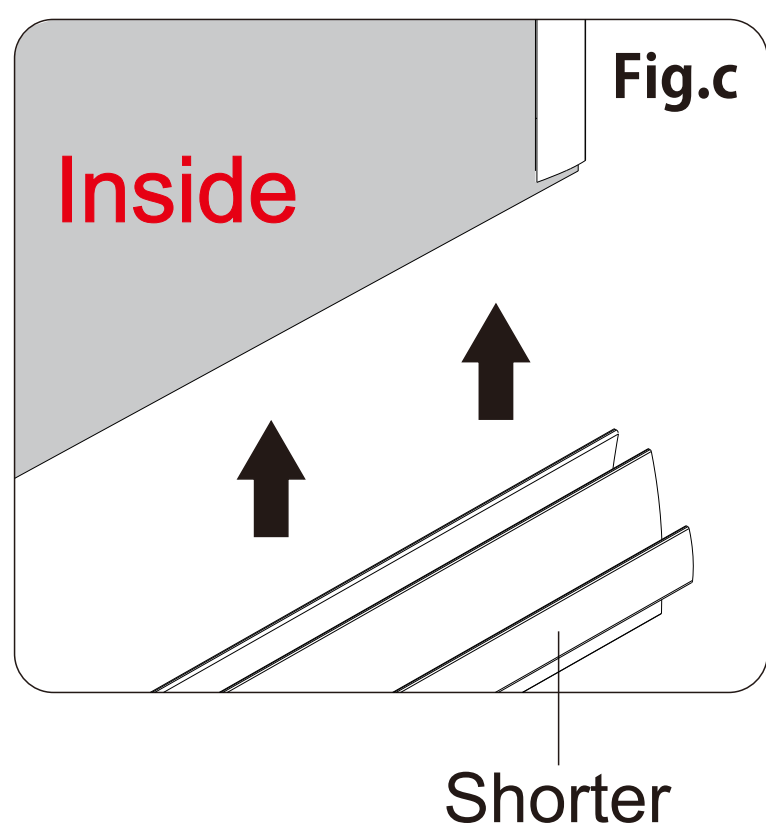
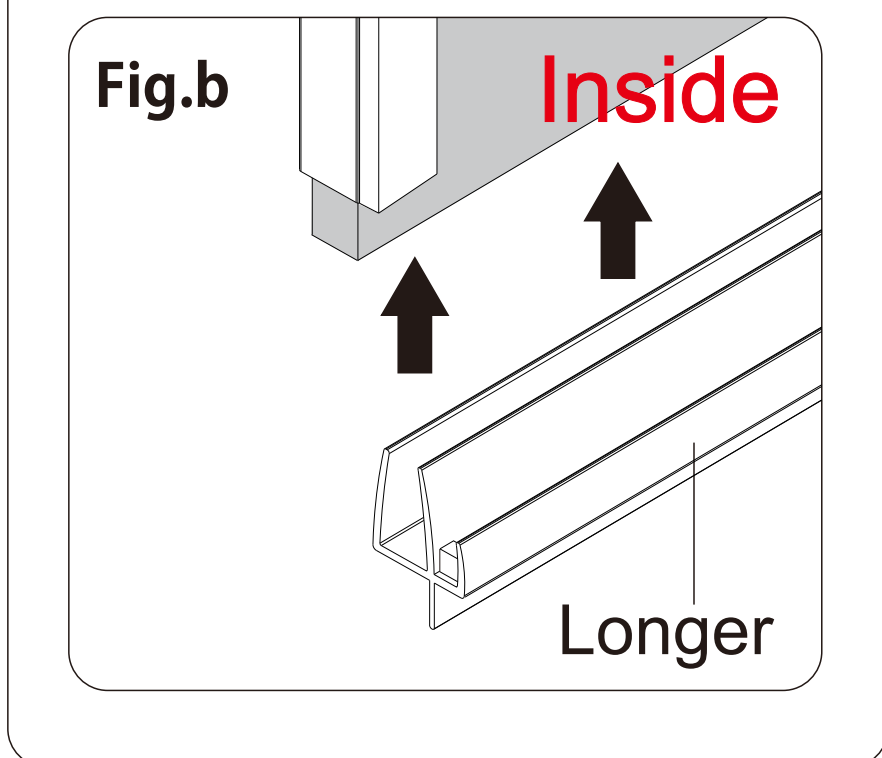
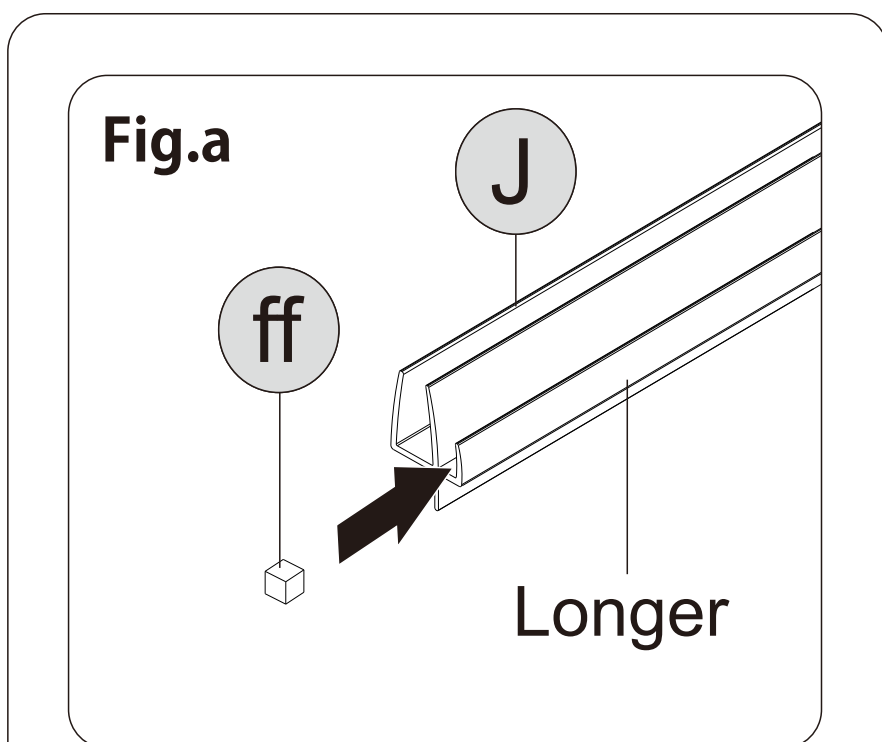
1. Install the **Anti-Water Strip(F)** to the **Left Glass Door(E)** as Fig.a .
2. Install the **Magnetic Strip(K)** to the **Right Glass Door(E)** as Fig.b .



**14** Install **Bottom Anti-Water Strip(J)** and **Choke Plug(ff)**

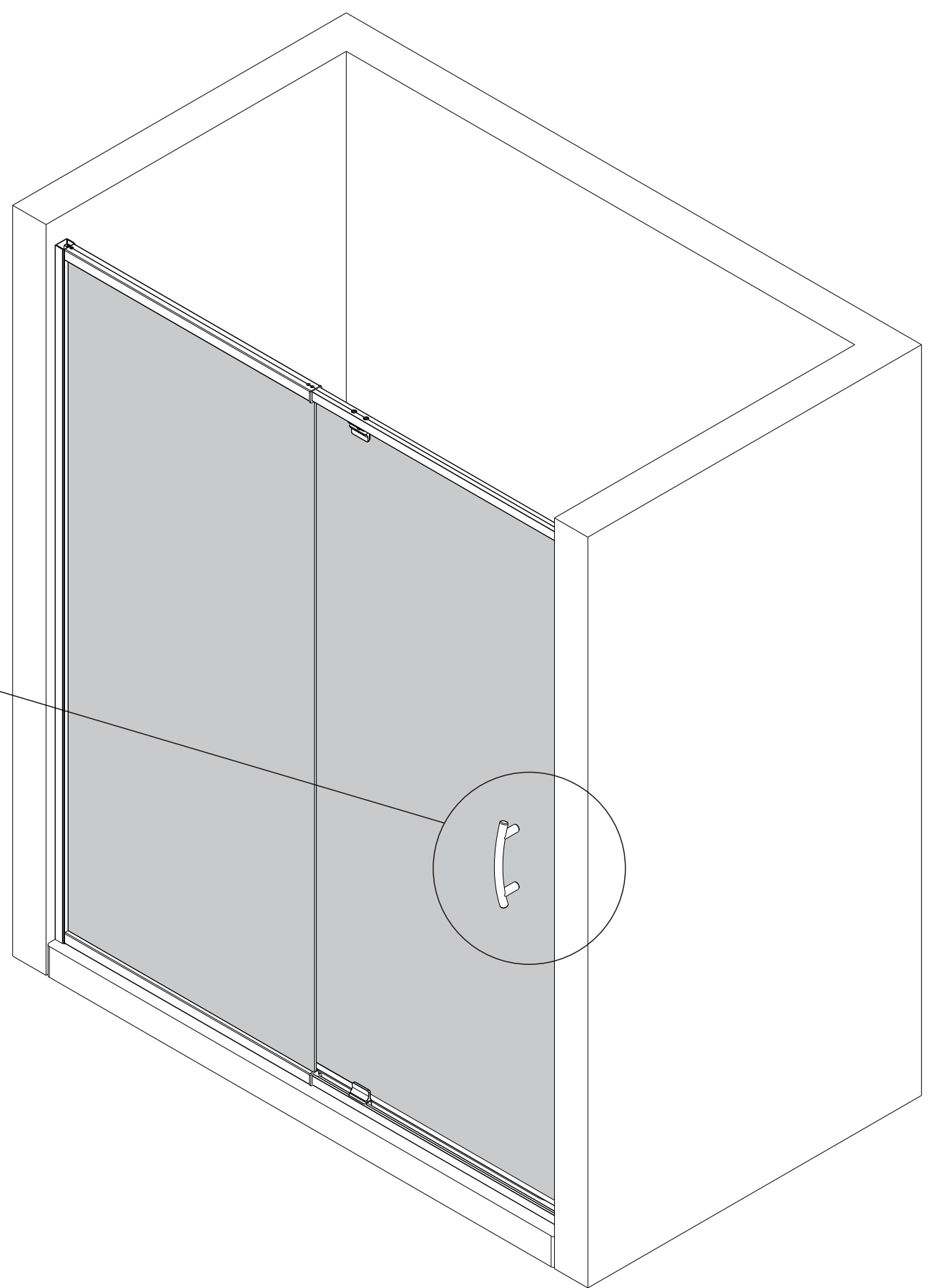
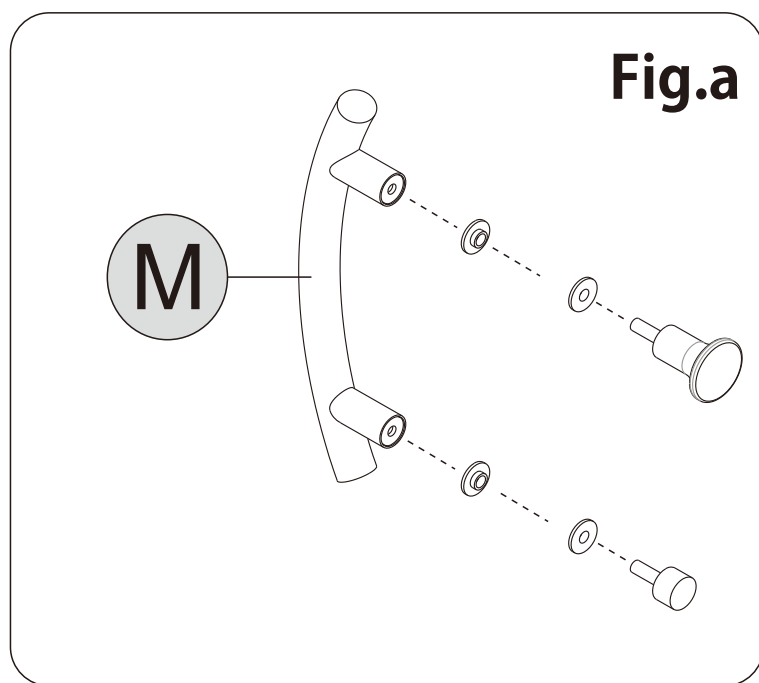
NOTE

1. Install the **Choke Plug(ff)** on a longer **Bottom Anti-Water Strip(J)** as Fig.a .
2. Install **Bottom Anti-Water Strip(J)** as Fig.b and Fig.c.

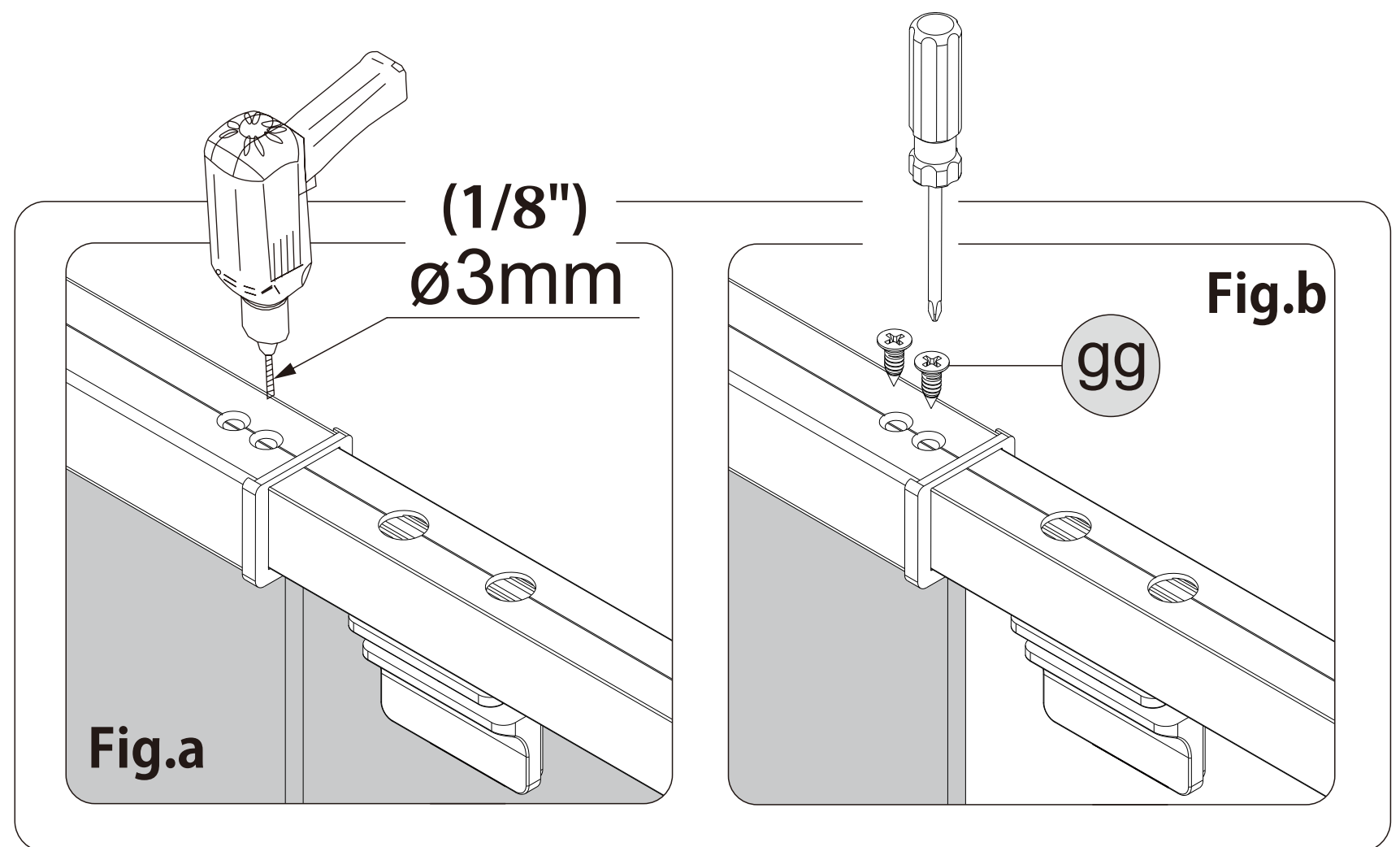


**15** Install the Handle(M)

**NOTE** 1. Install **Handle(M)** as Fig.a.

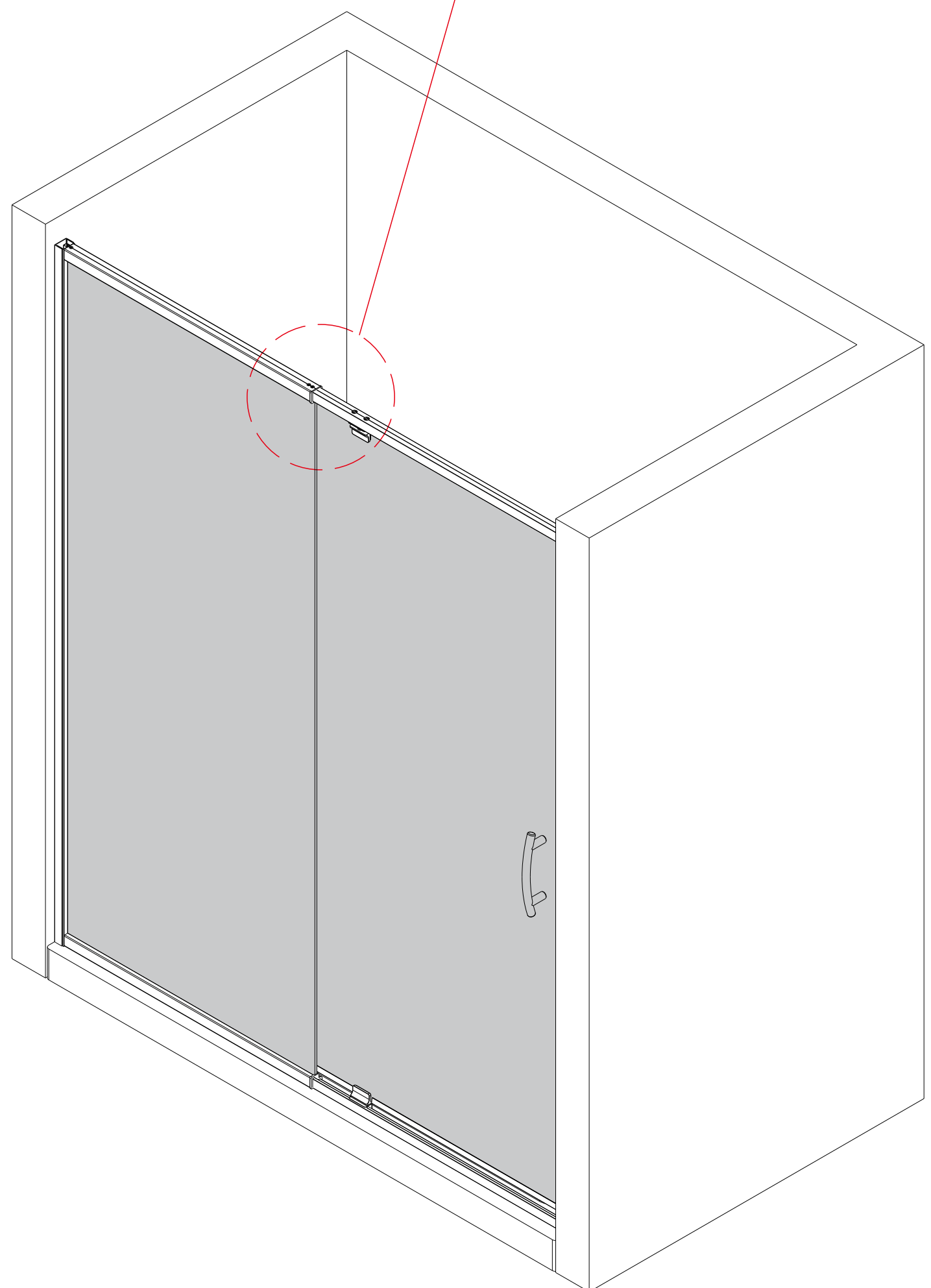


**16** Fixed Door Frames



NOTE

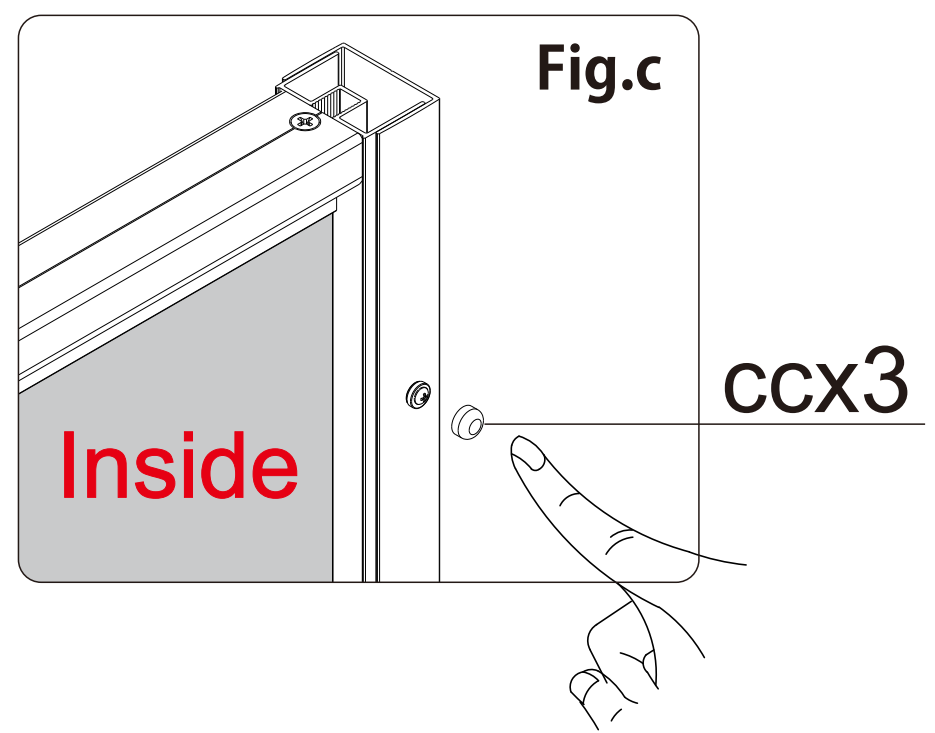
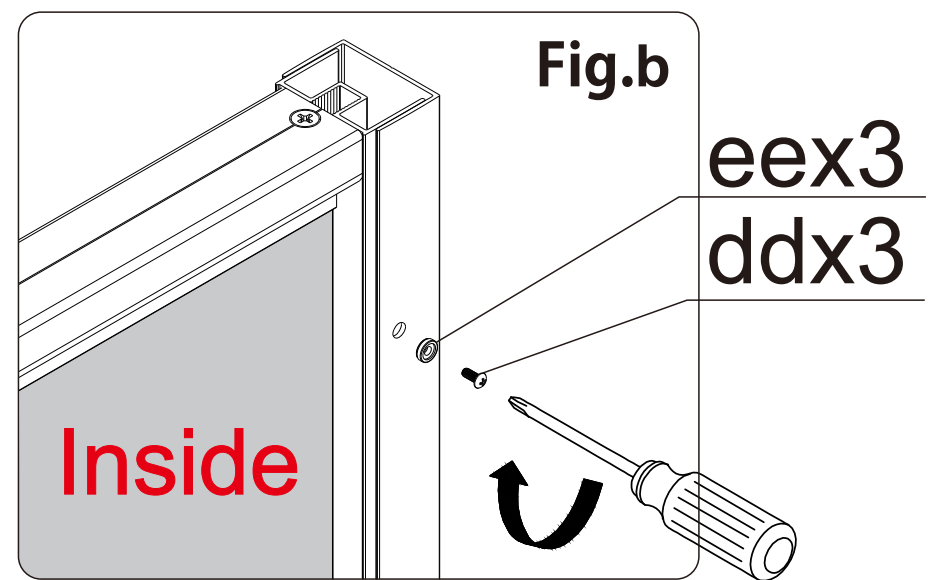
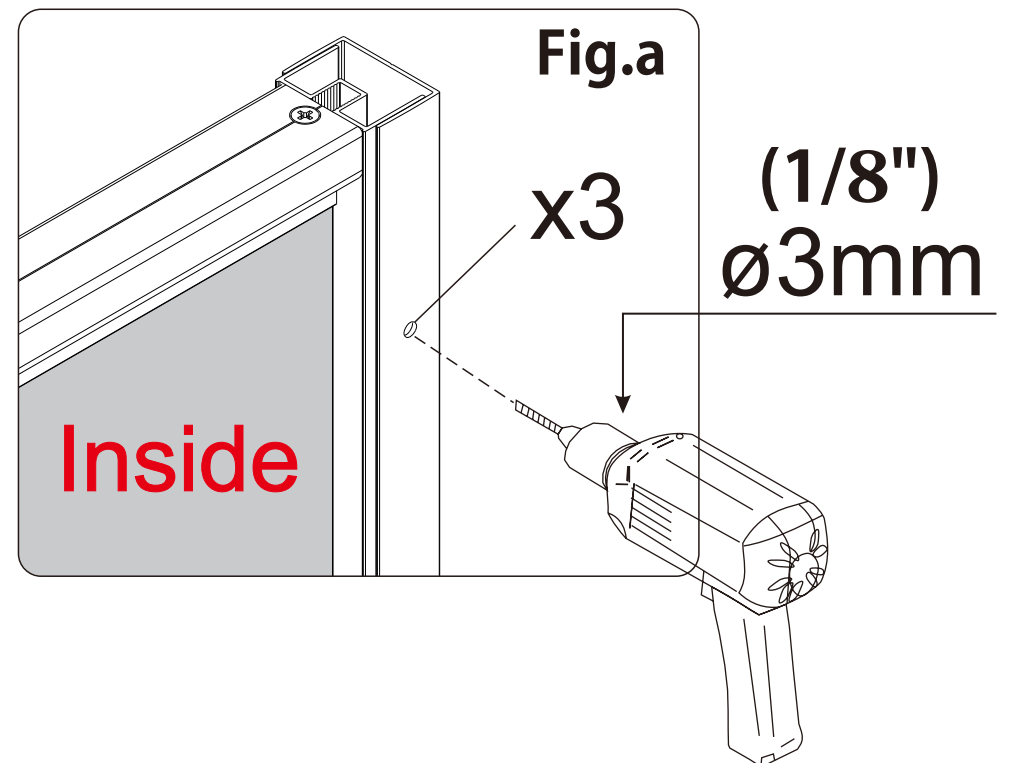
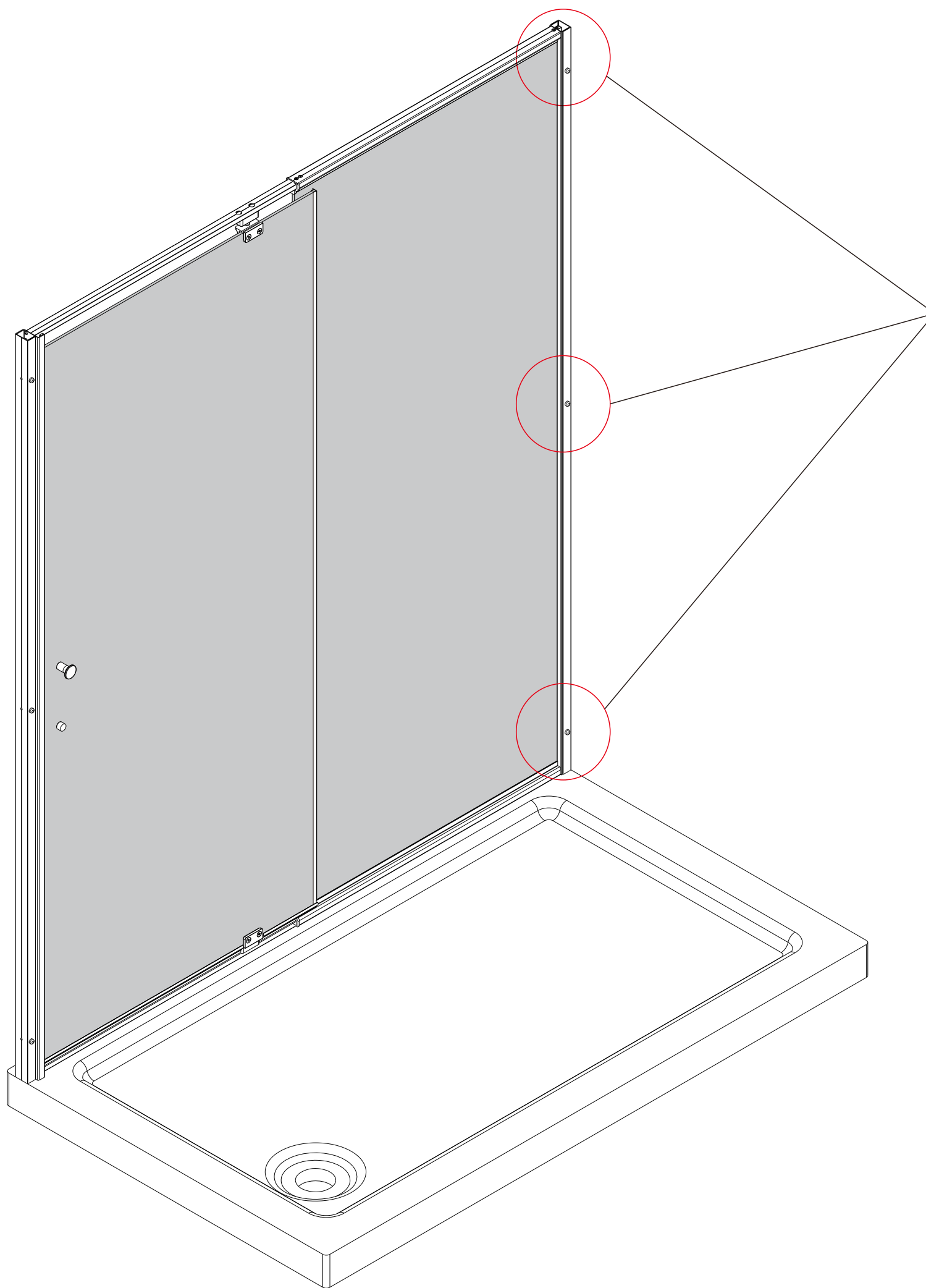
1. Drill 2 holes on the top of the Door Frames with 1/8"(3mm) drill bit as Fig.a .
2. Secure the door frame with **Metric screws (gg)** as Fig.b.



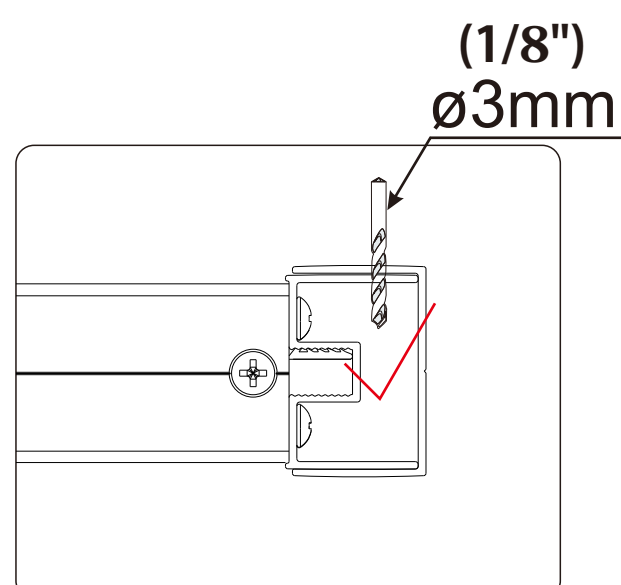
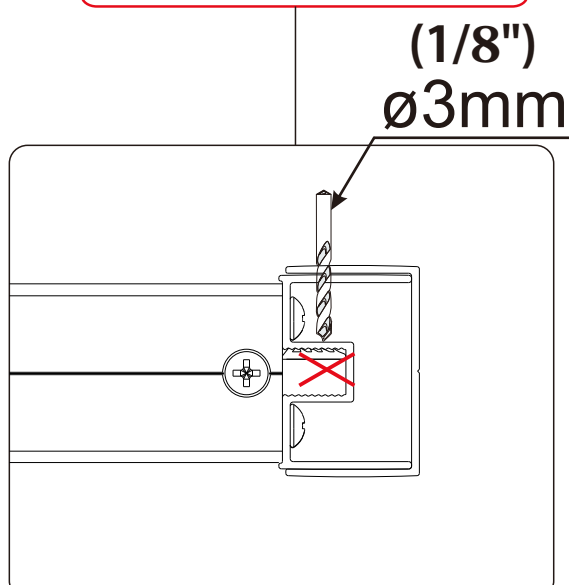
# 17 Lock Door Frame

NOTE

1. Drill 3 holes on the inside of the **Wall Jamb(A)** with 1/8"(3mm) drill bit as Fig.a .
2. Install **Screw(dd)** and screw cover cap **Washer(ee)** as Fig.b .
3. Install **Screw cap(cc)** as Fig.c .



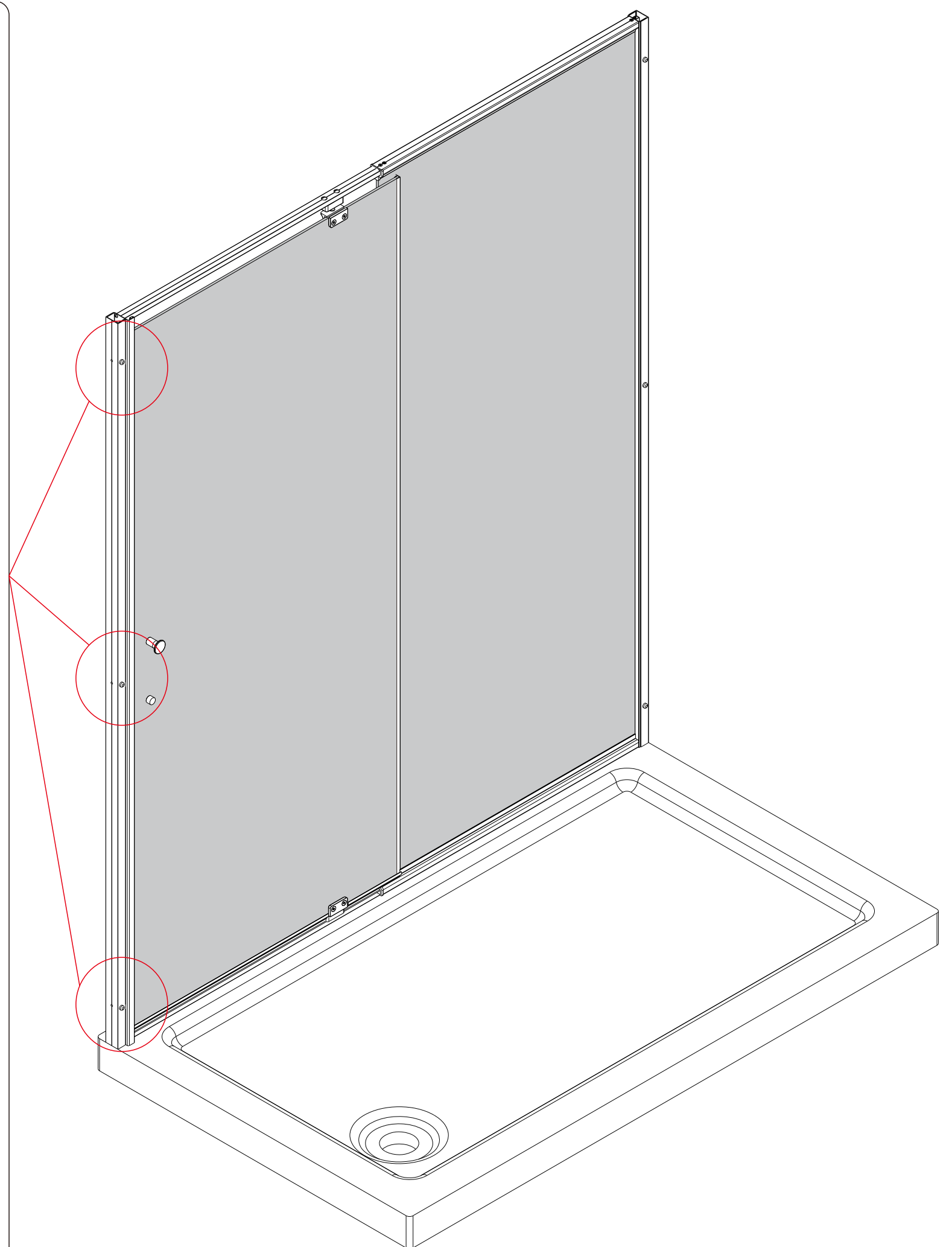
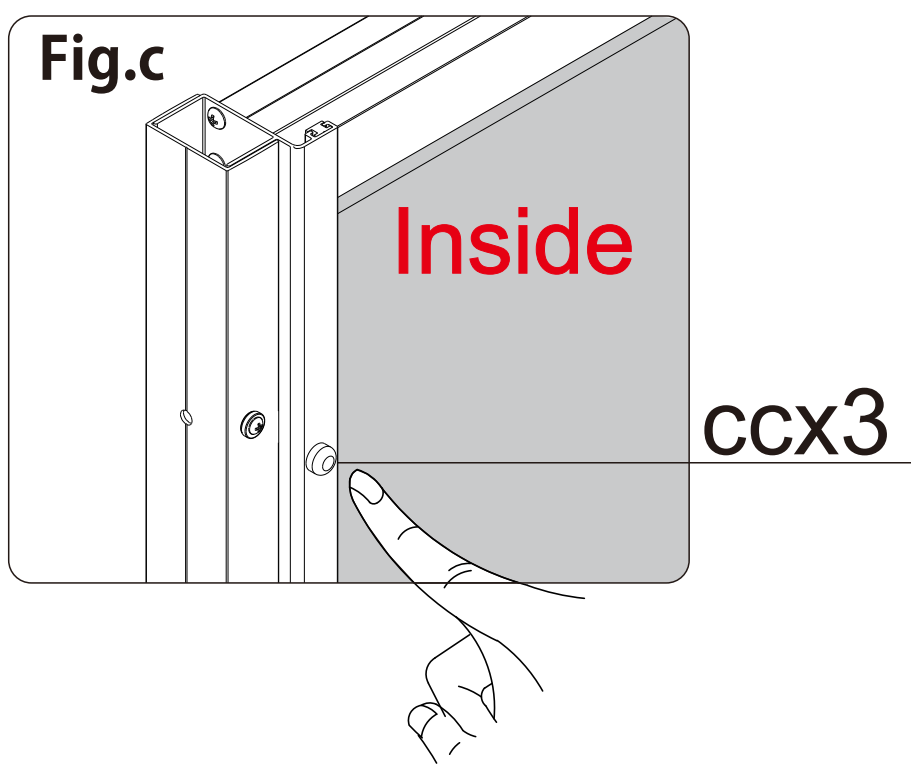
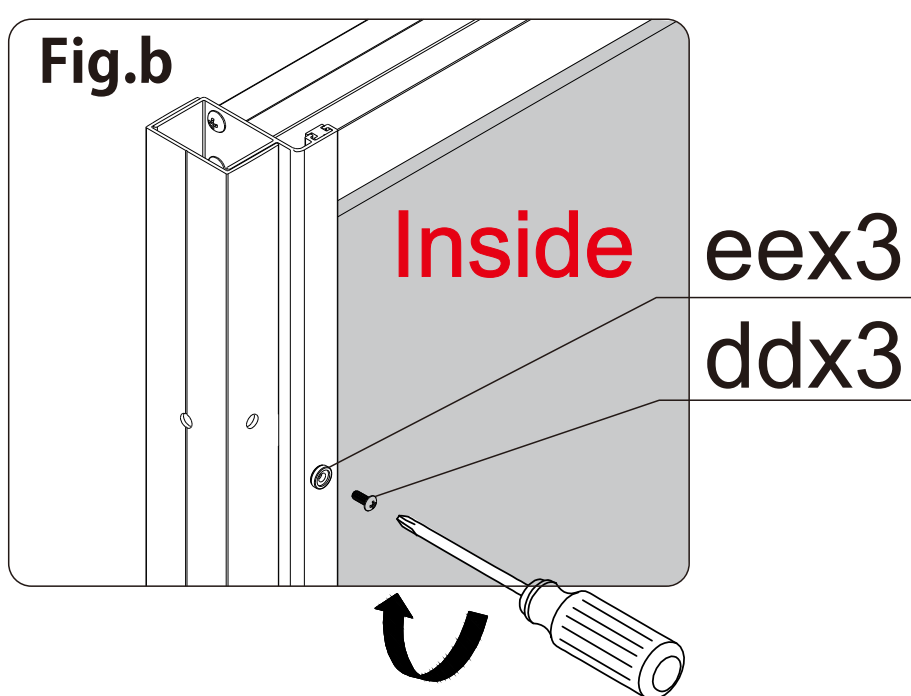
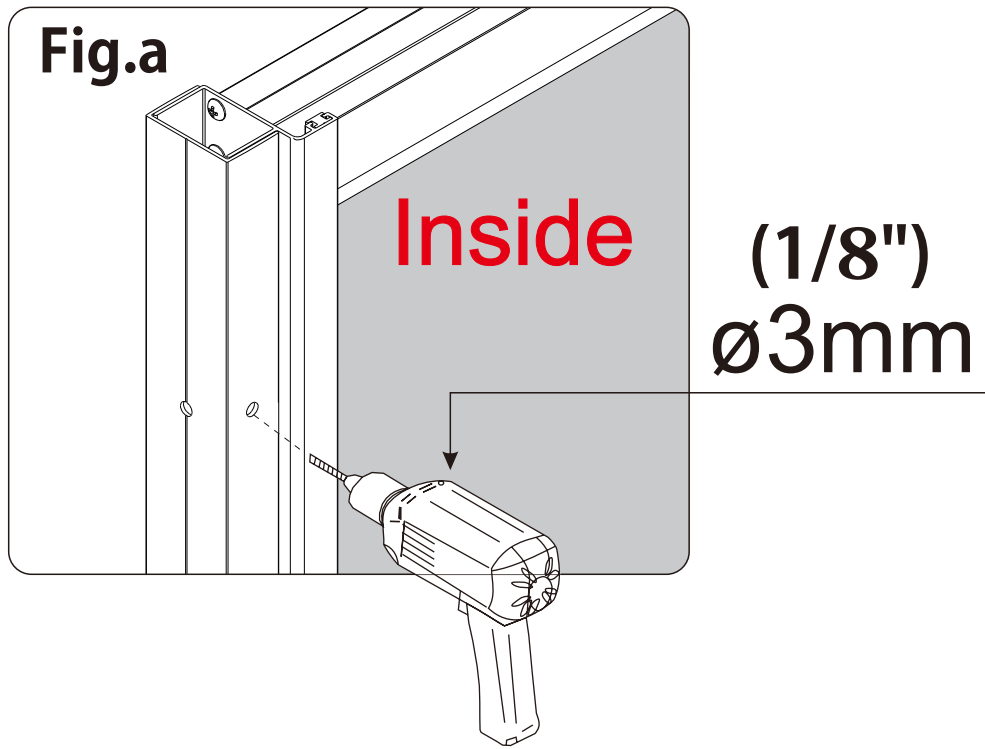
⚠ Take care not to drill to the glass



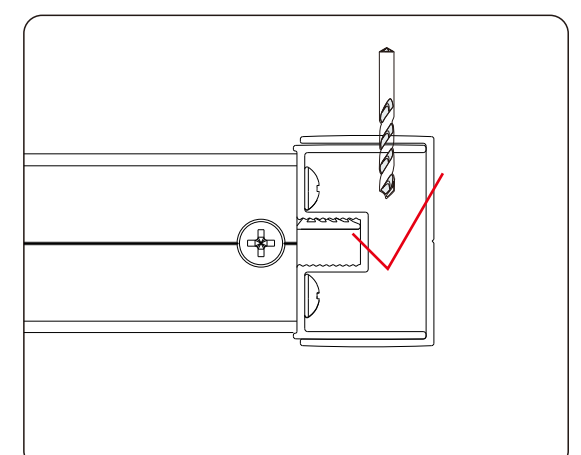
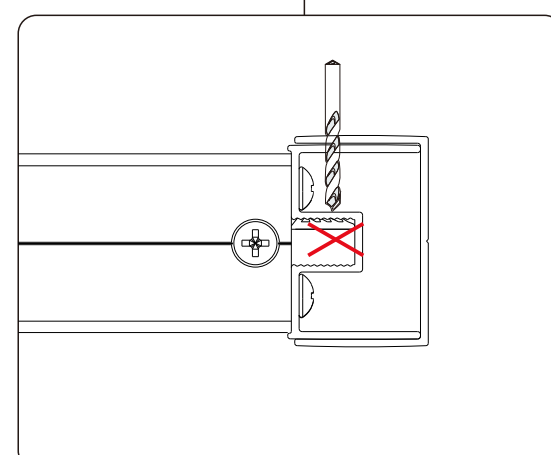
# 18 Lock Door Frame

NOTE

1. Drill 3 holes on the inside of the **Wall Jamb(O)** with 1/8"(3mm) drill bit as Fig.a .
2. Install **Screw(dd)** and screw cover cap **Washer(ee)** as Fig.b .
3. Install **Screw cap(cc)** as Fig.c .



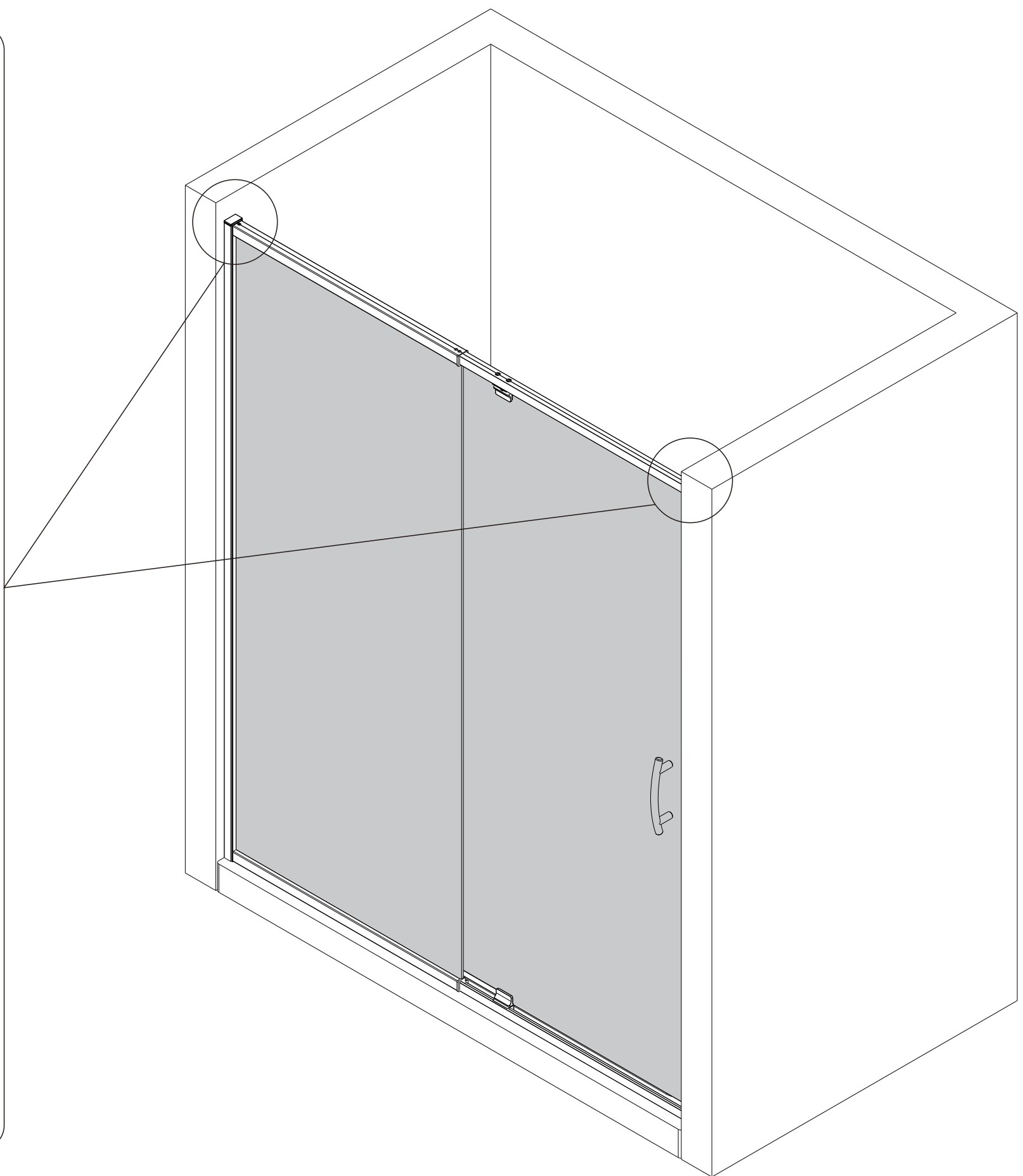
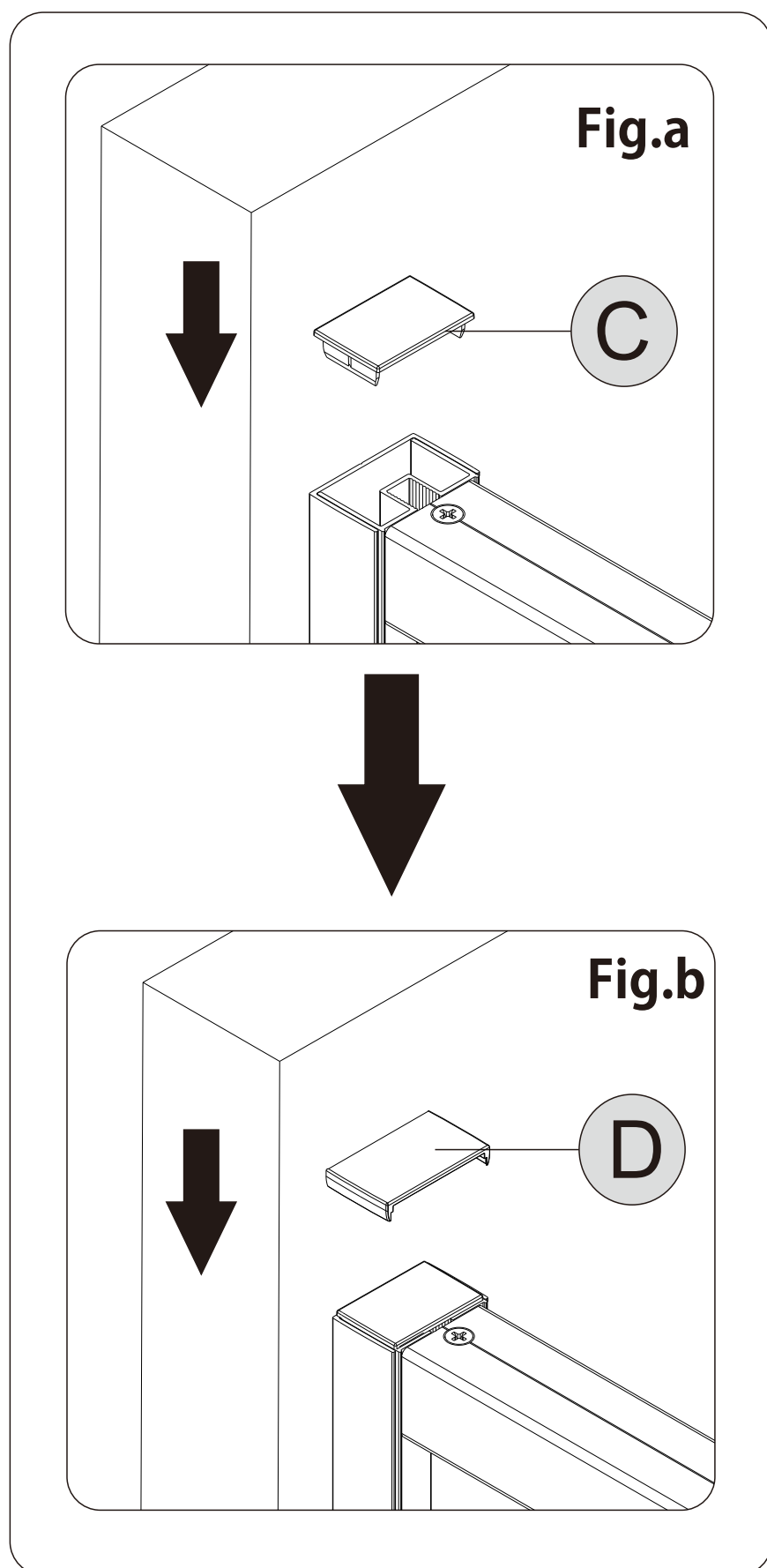
⚠ Take care not to drill to the glass



**19** Install Upright Profile Cover(C) and Wall Jamb Cover(D)

NOTE

1. Install the Upright Profile Cover(C) to the door frame as Fig.a
2. Install Wall Jamb Cover(D) the Wall Jamb(A) as Fig.b



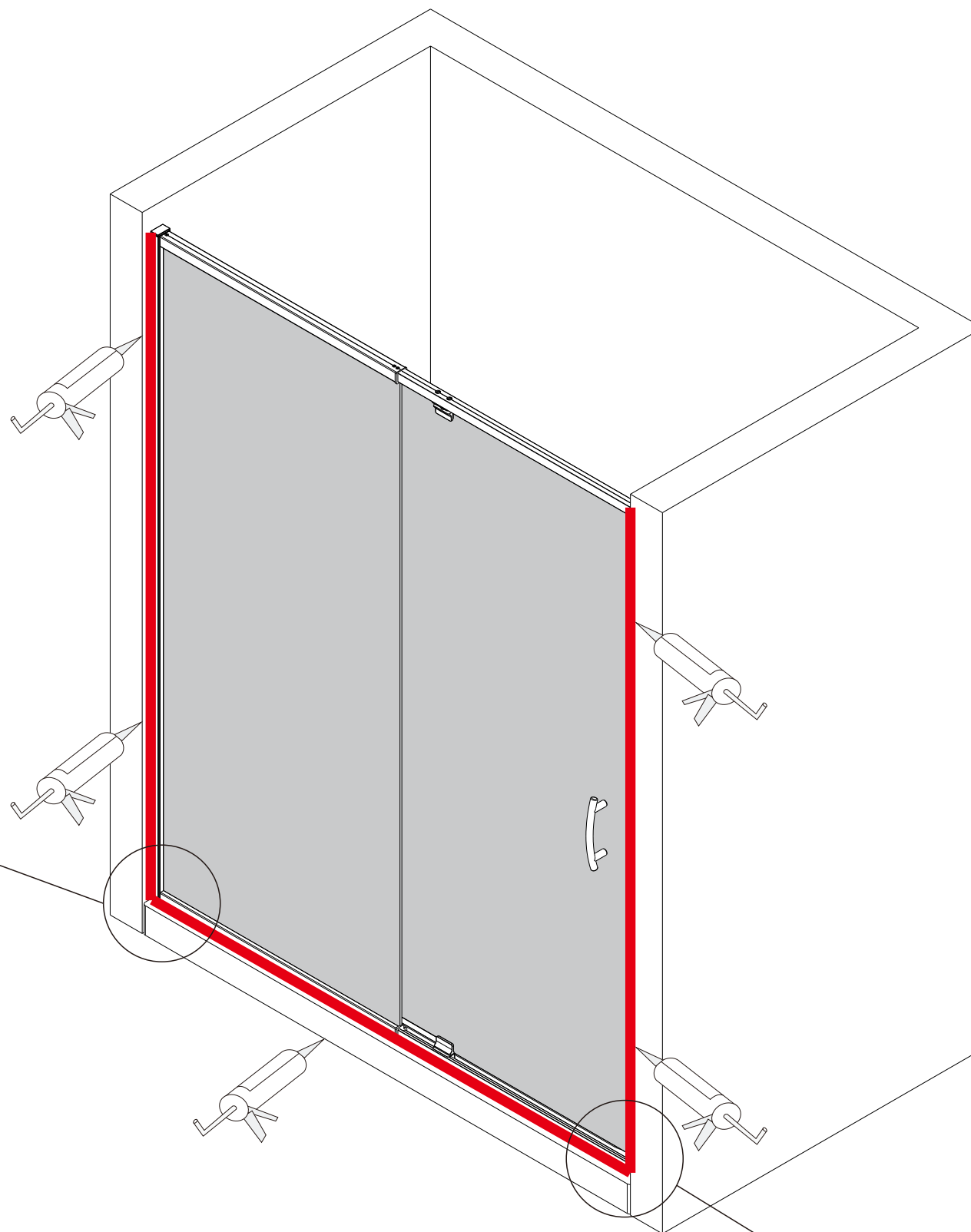
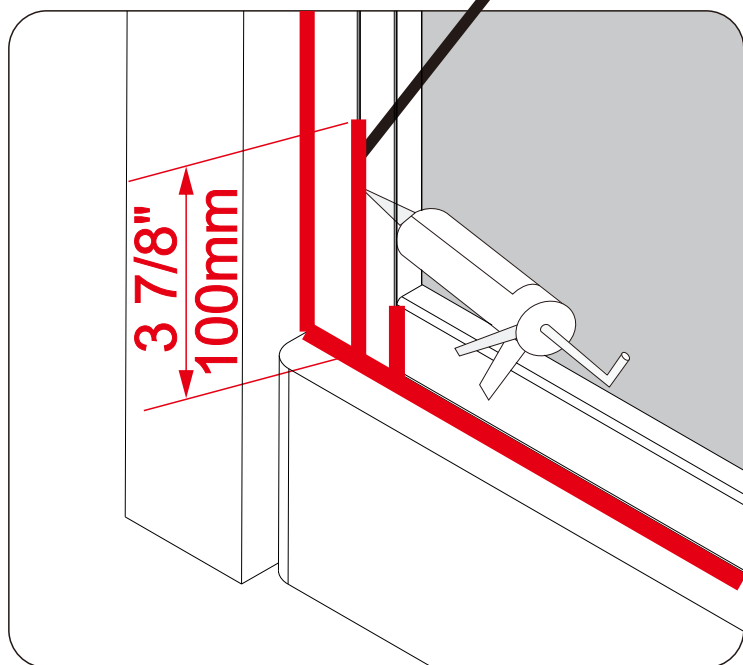
# 20 SEALING

**NOTE** The surfaces need to be clean and free of debris before applying silicone.

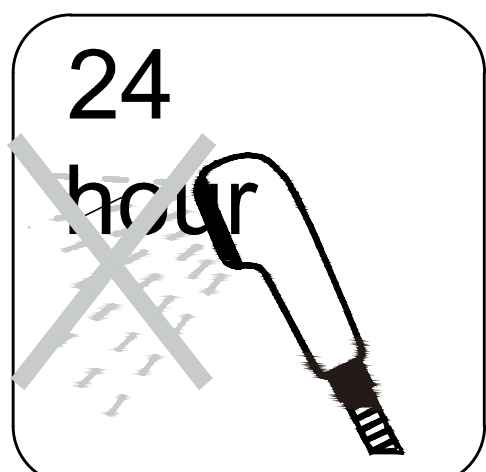
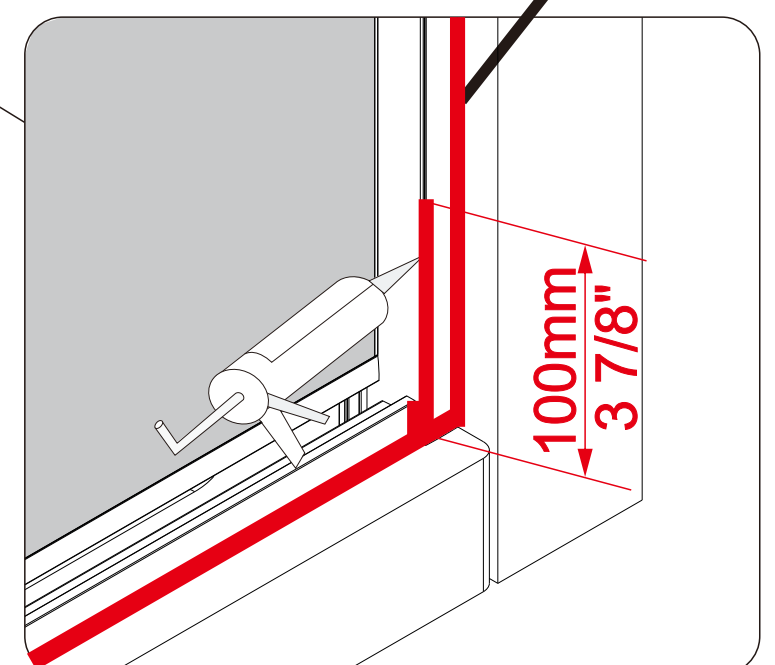
**NOTE** Ensure that the Shower door closes tightly and opens smoothly. Apply a good quality silicone sealant along the **Wall Jamb(A)** and Door Frame.

**!** Allow 24 hours for the silicone to cure before using the shower.

The gaps between the **Wall Jamb (A)** should be covered with glass glue



The gaps between the **Wall Jamb (A)** should be covered with glass glue



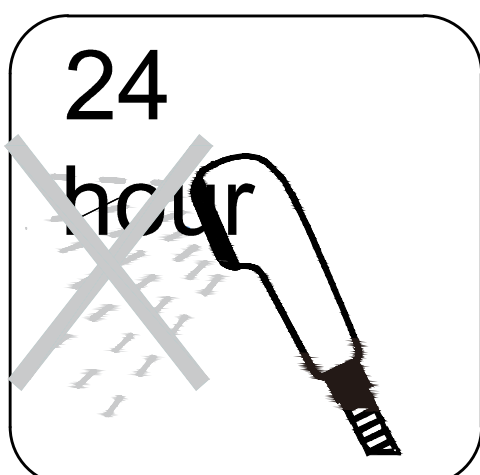
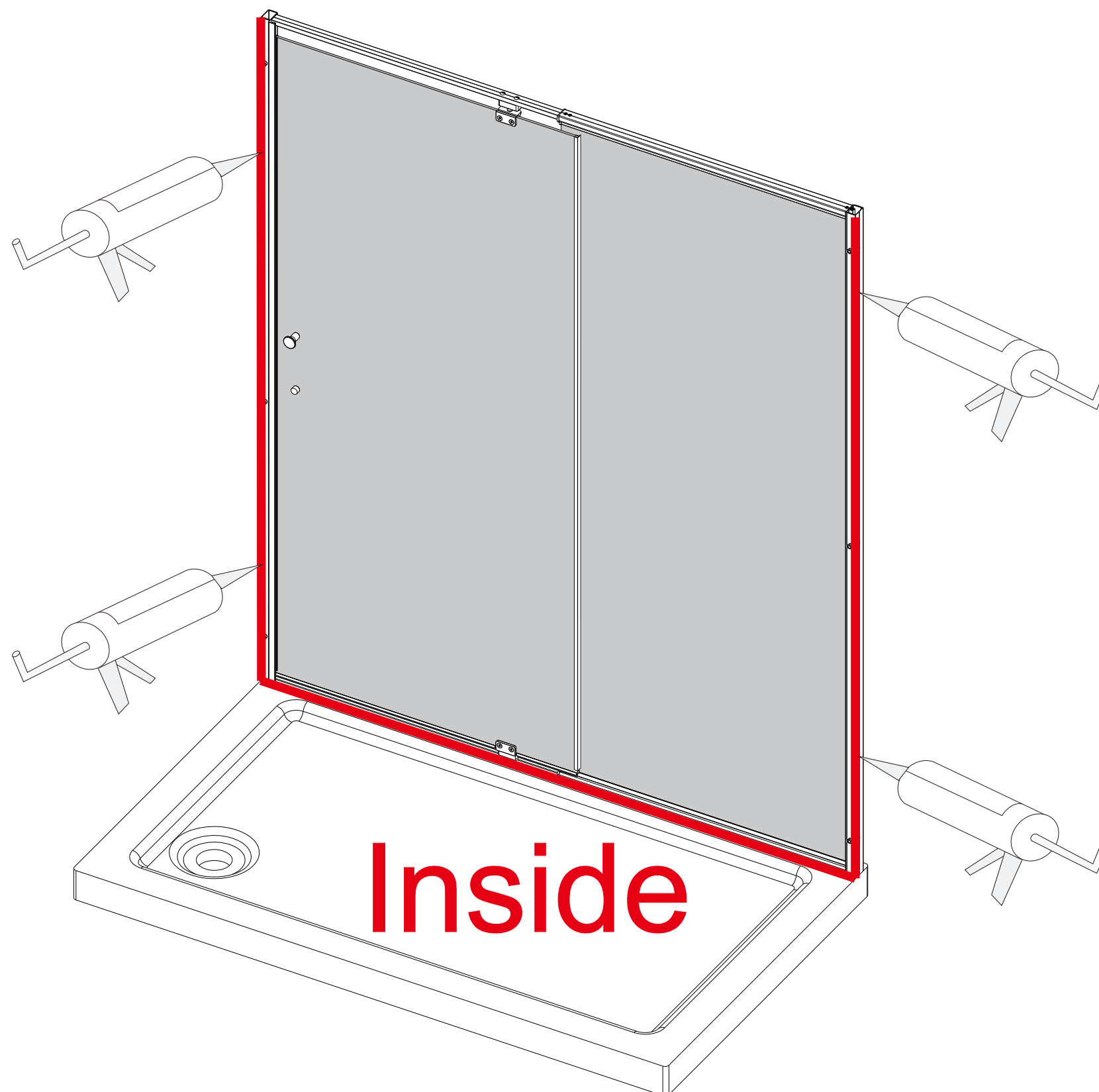
**!** Apply Silicone Sealant, (not supplied).

# 21 SEALING

**NOTE** The surfaces need to be clean and free of debris before applying silicone.

**NOTE** Ensure that the Shower door closes tightly and opens smoothly. Apply a good quality silicone sealant along the **Wall Jamb(A)** and Door Frame.

**!** Allow 24 hours for the silicone to cure before using the shower.



**!** Apply Silicone Sealant, (not supplied).



The shower room needs to be sealed inside and out