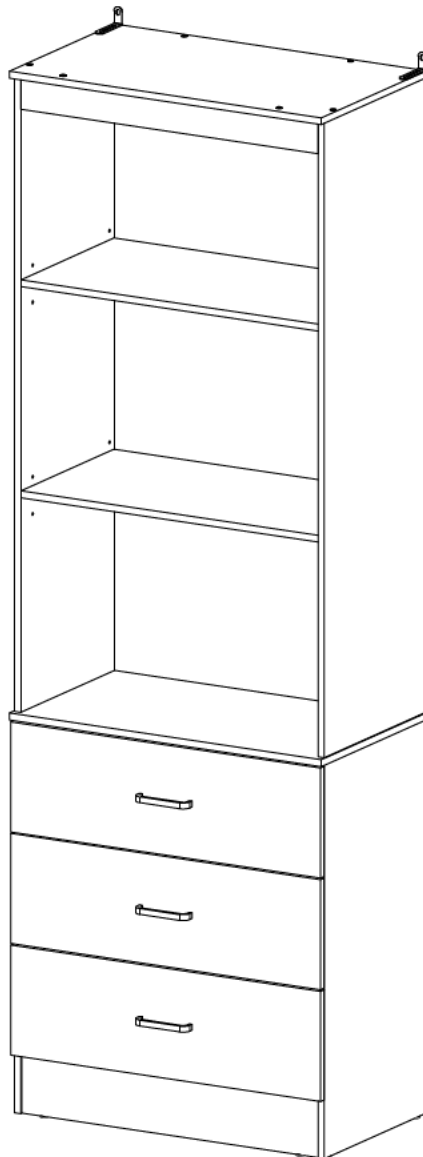


# ***Tall Storage Cabinet***

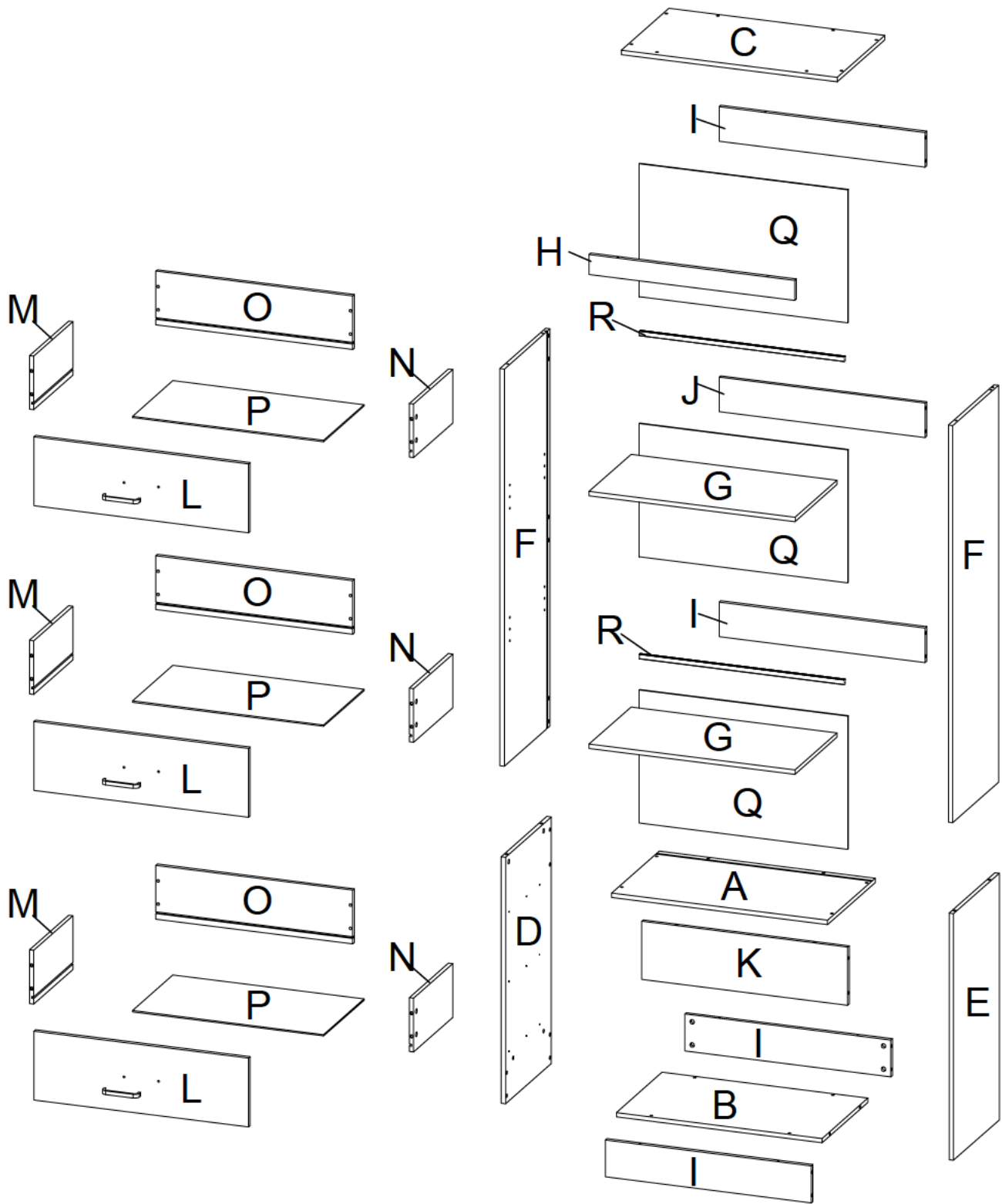
## **ASSEMBLY INSTRUCTION**



(Note:Two people are recommended to install, which will greatly improve your installation efficiency.)

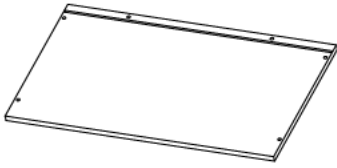
**TIPS:**

1. Please read this instruction manual carefully, follow it step by step and pay attention to the notes, you will assemble it quickly, safely and correctly.
2. Two people are recommended to install,which will greatly improve your installation efficiency.
3. Put the screws in loosely until all pieces are together and then tighten them all. It will save your time if you make a mistake while installing

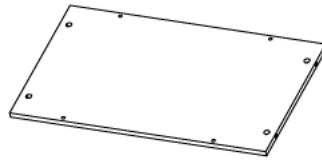


**PART LIST**

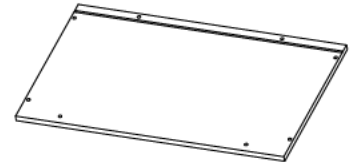
**A x 1pc**



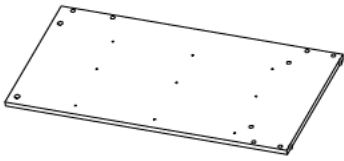
**B x 1pc**



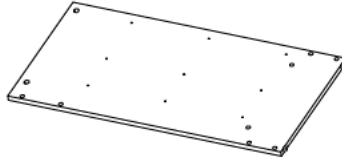
**C x 1pc**



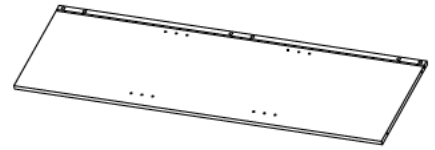
**D x 1pc**



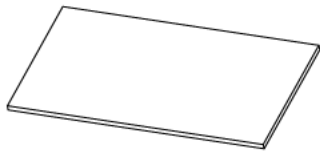
**E x 1pc**



**F x 2pcs**



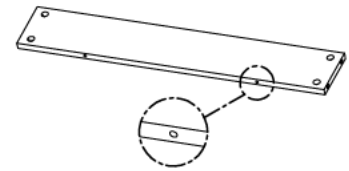
**G x 2pcs**



**H x 1pc**



**I x 4pcs**



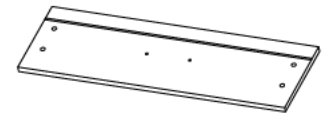
**J x 1pc**



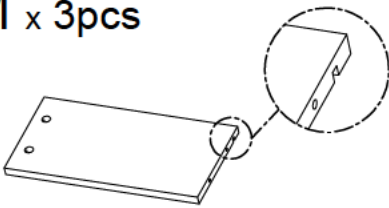
**K x 1pc**



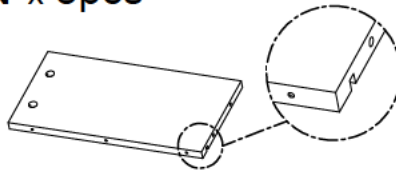
**L x 3pcs**



**M x 3pcs**



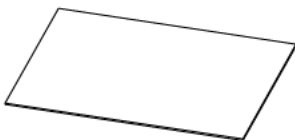
**N x 3pcs**



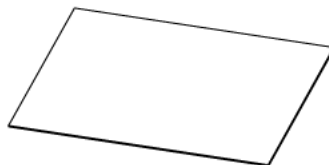
**O x 3pcs**



**P x 3pcs**



**Q x 3pcs**

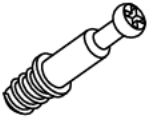

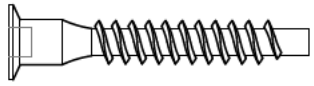



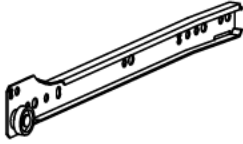
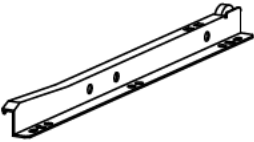
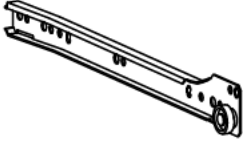
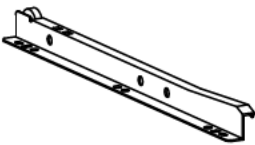
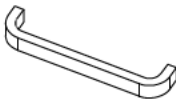

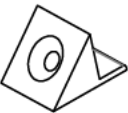

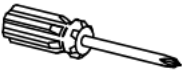



**R x 2pcs**



570mm

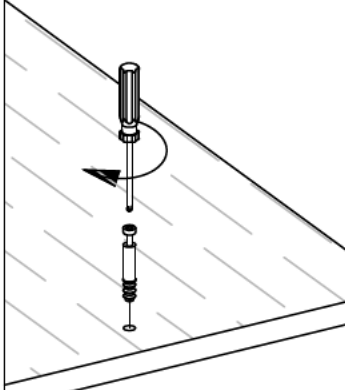
## HARDWARE LIST

<p>①</p>  <p>M6x28 46 pcs</p>	<p>②</p>  <p>Ø12 46 pcs</p>	<p>③</p>  <p>M6x40 30 pcs</p>
<p>④</p>  <p>M4x16 6 pcs</p>	<p>⑤</p>  <p>M3x12 48 pcs</p>	<p>⑥</p>  <p>8 pcs</p>
<p>⑦</p>  <p>300L 3 pcs</p>	<p>⑧</p>  <p>300L 3 pcs</p>	<p>⑨</p>  <p>300L 3 pcs</p>
<p>⑩</p>  <p>300L 3 pcs</p>	<p>⑪</p>  <p>300L 3 pcs</p>	<p>⑫</p>  <p>M4x40 2 pcs</p>
<p>⑬</p>  <p>300L 12 pcs</p>	<p>⑭</p>  <p>300L 8 pcs</p>	<p>⑮</p>  <p>1 pc</p>
<p>⑯</p>  <p>M4 1 pc</p>		

# How to install Camlocks

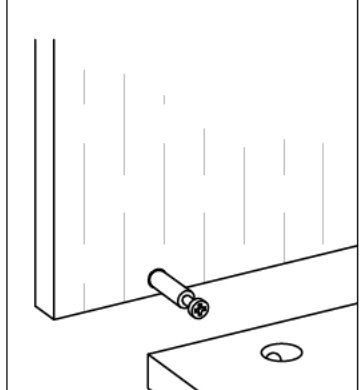
Connect the male camlock as directed in the assembly instructions with a screwdriver.

**1** DO NOT OVER TIGHTEN



Put the male camlock into the entry hole.

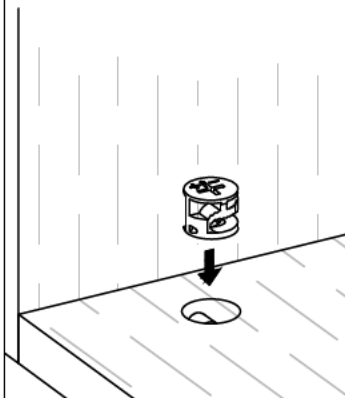
**2**



Insert the female camlock as shown in the instruction.

Note: ensure that the arrow on the top of the camlock points toward the entry hole for the male camlock.

**3**

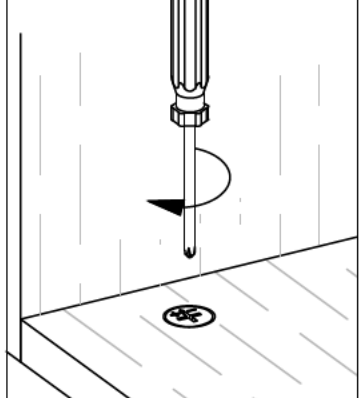


Screw the female camlock clockwise with a screwdriver.

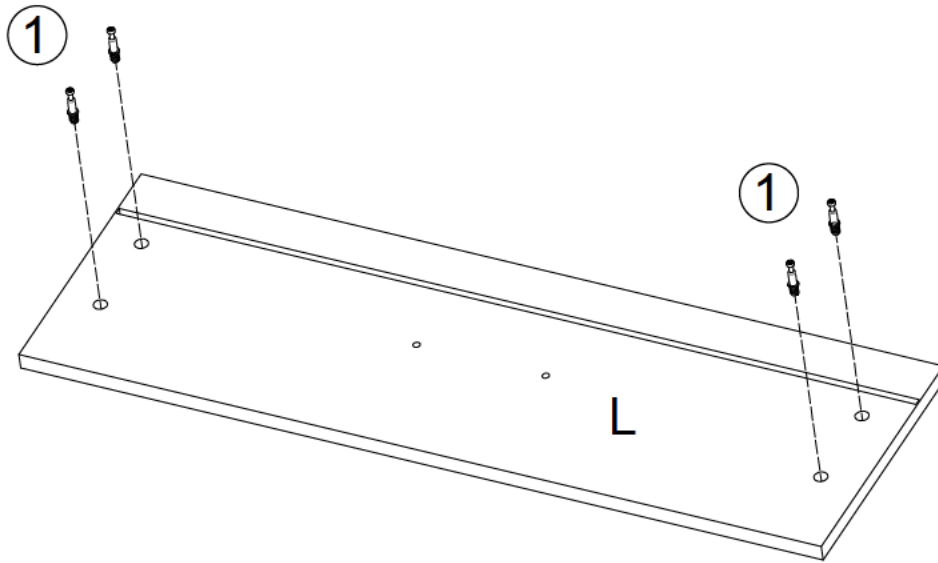
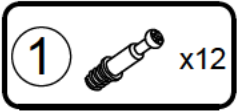
You will feel a click when the camlock is locked in place.

The camlock is now completed.

**4**

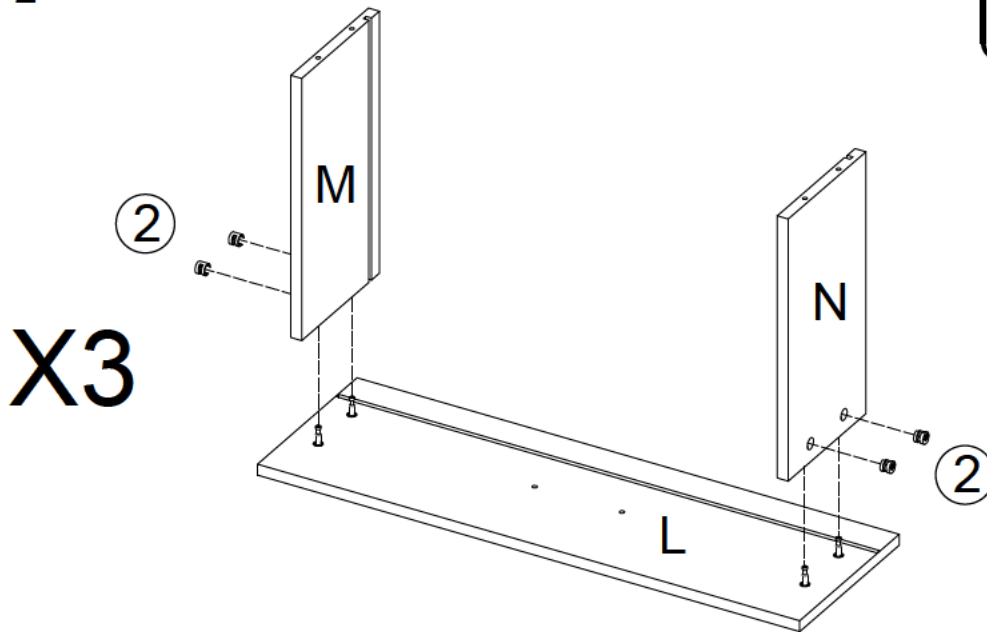


# STEP 1

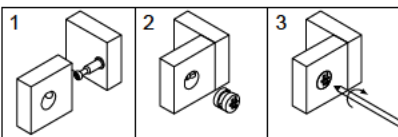


# X3

# STEP 2



# X3

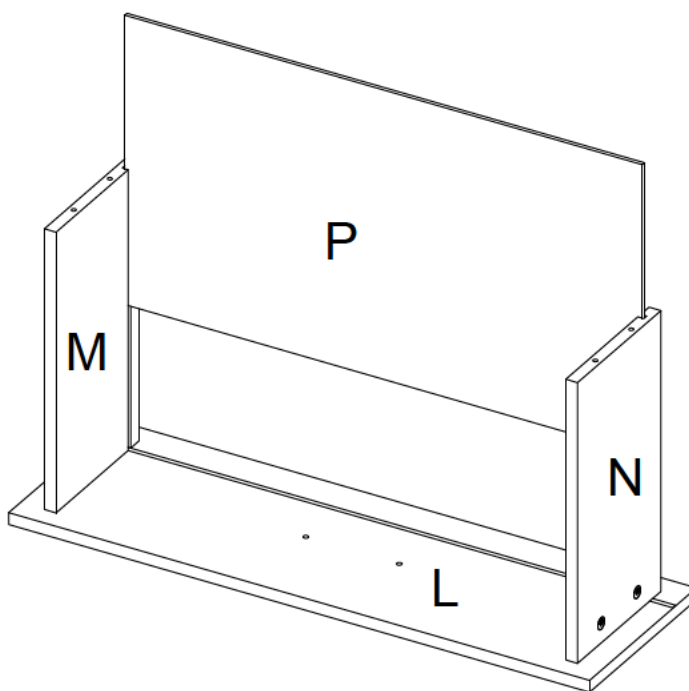


Cam Lock Fastening System

Please point the arrow upward to the mounting hole when installing Part ②. then use screwdriver to tighten it in the "+" direction.

### STEP 3

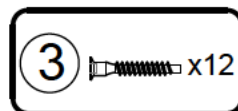
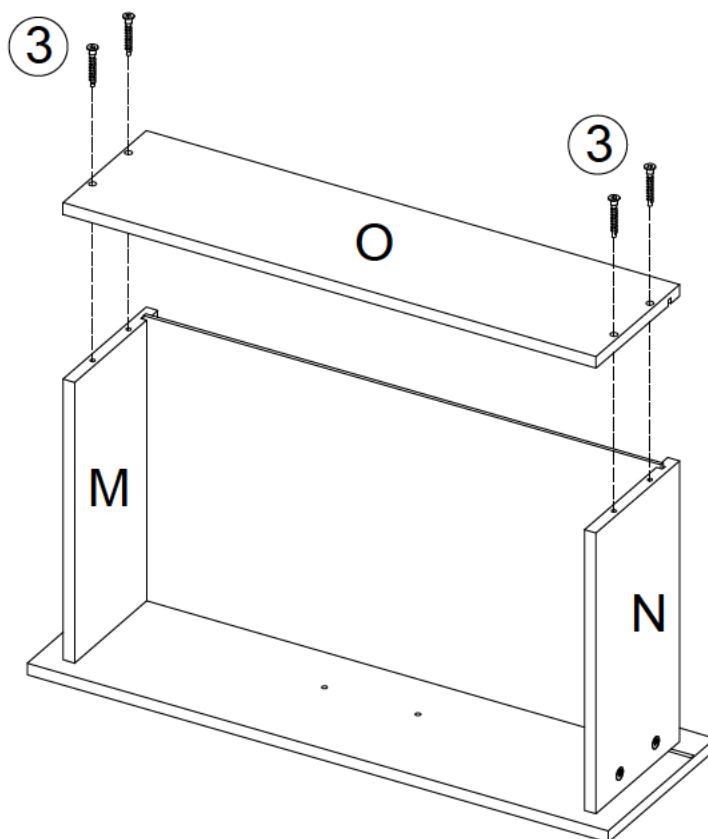
X3



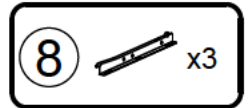
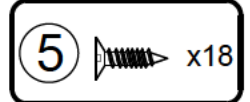
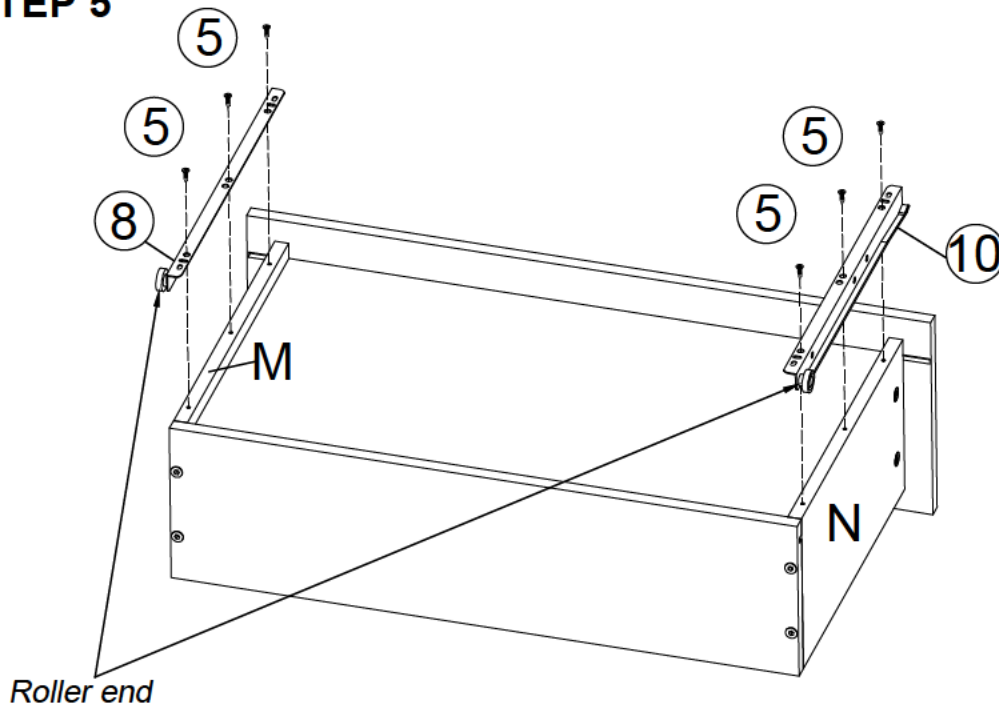
*Please make sure part "P" is fully seated in part "L"*

### STEP 4

X3

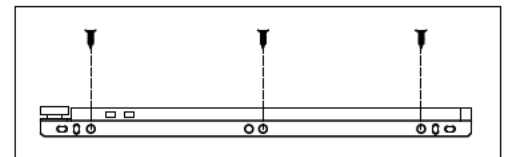


### STEP 5

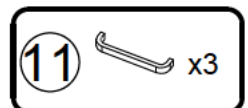
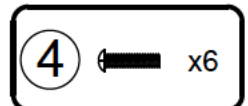
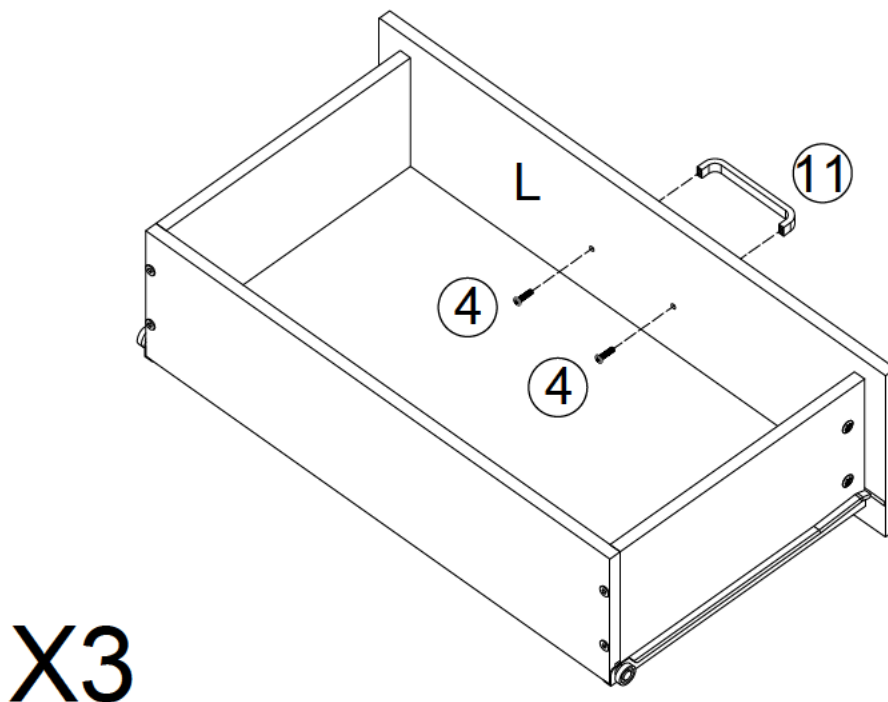


# X3

Note the direction of the rollers on the slide rail



### STEP 6



# X3

**NOTICE:**  
The installation for all the three cabinet drawers is base on the 1-6 steps above.

# STEP 7

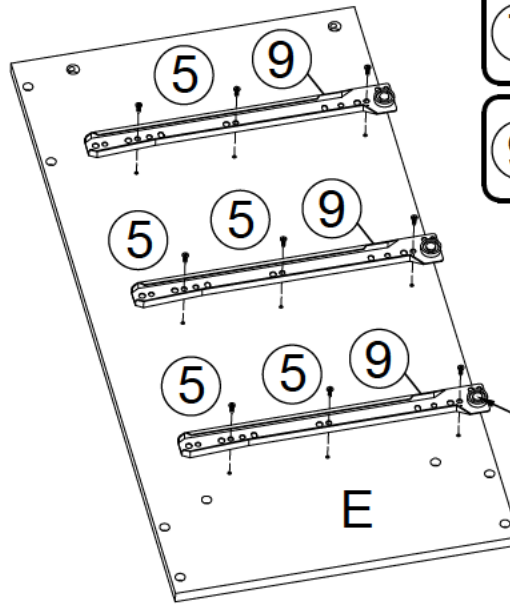
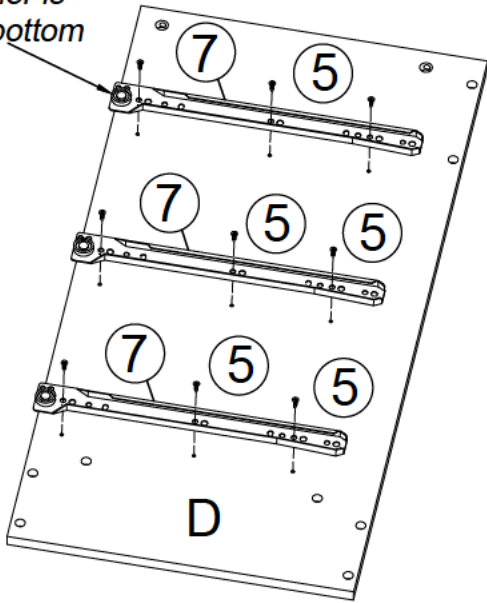
Note the direction of the rollers on the slide rail

5  x18

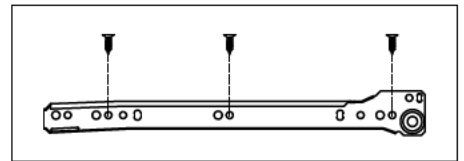
7  x3

9  x3

Roller is at bottom

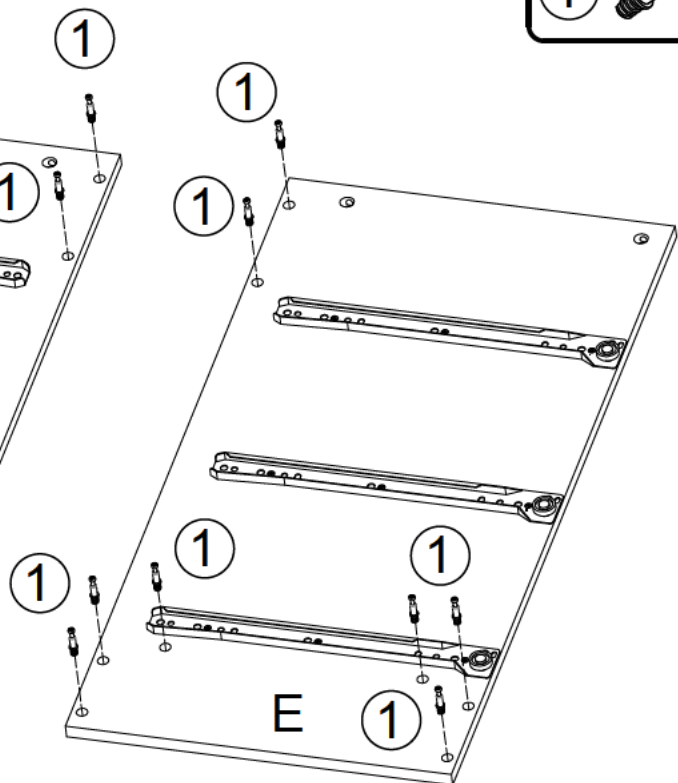
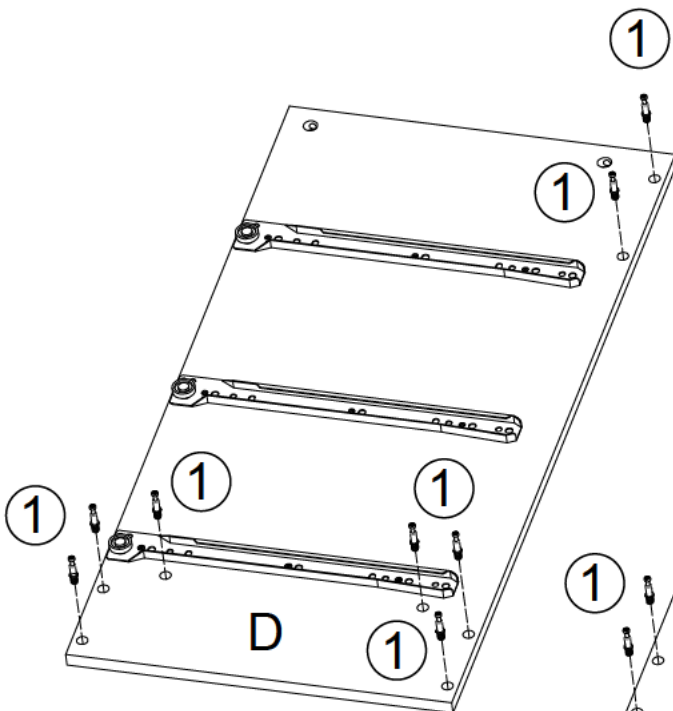


Roller is at bottom

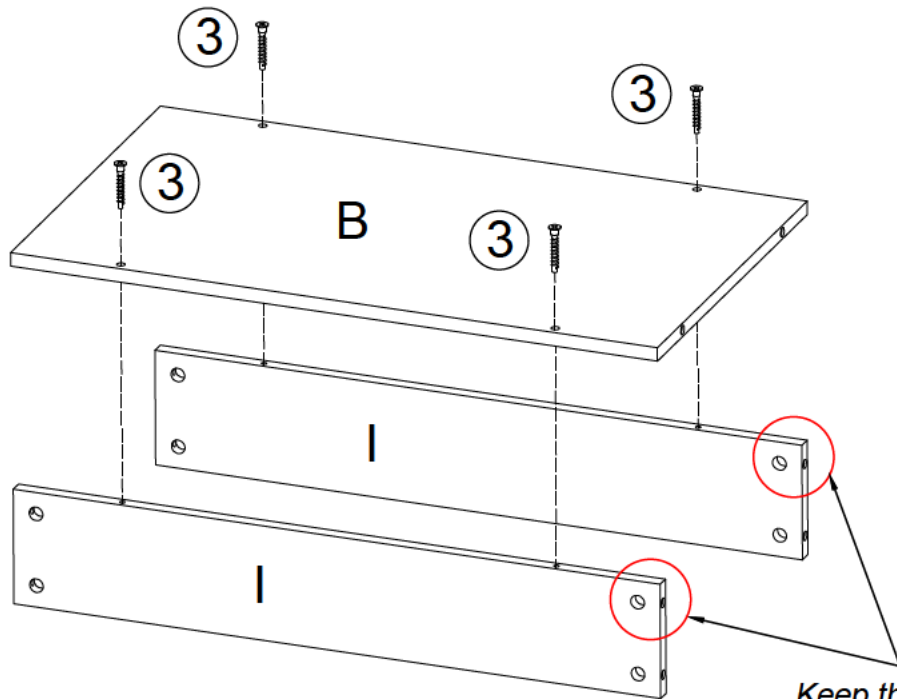
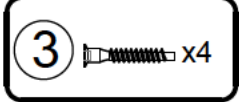


# STEP 8

1  x16

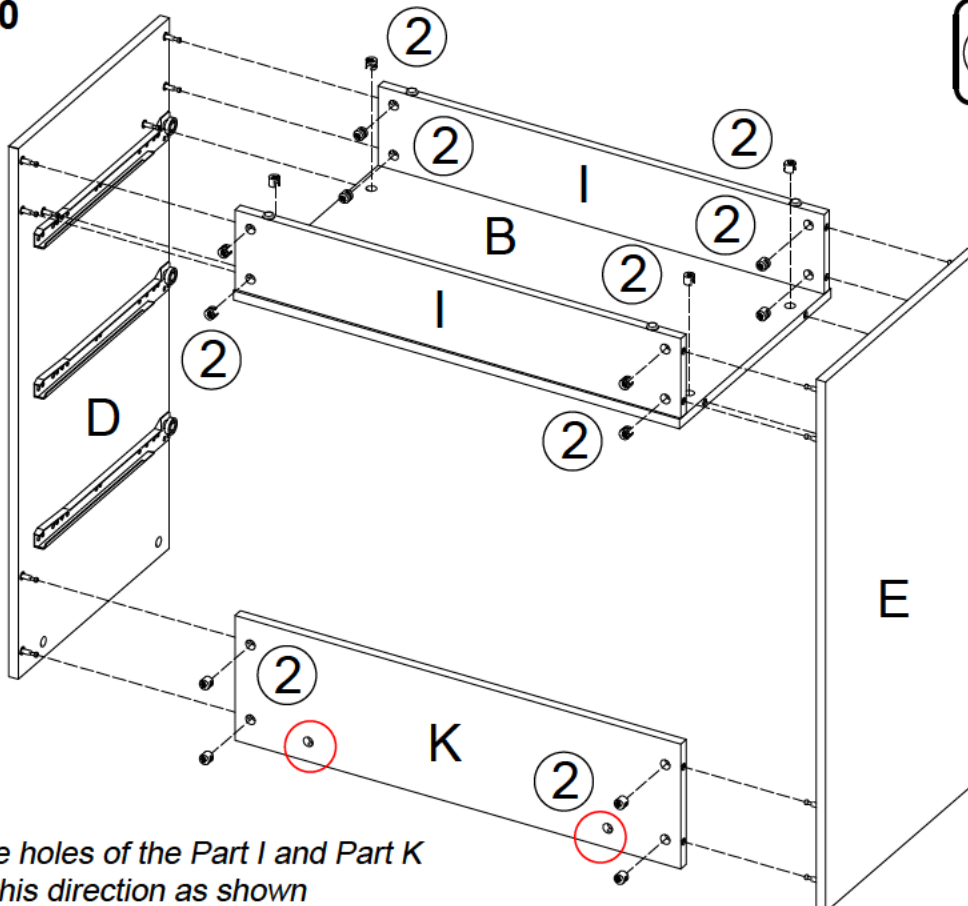
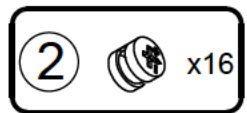


### STEP 9



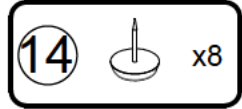
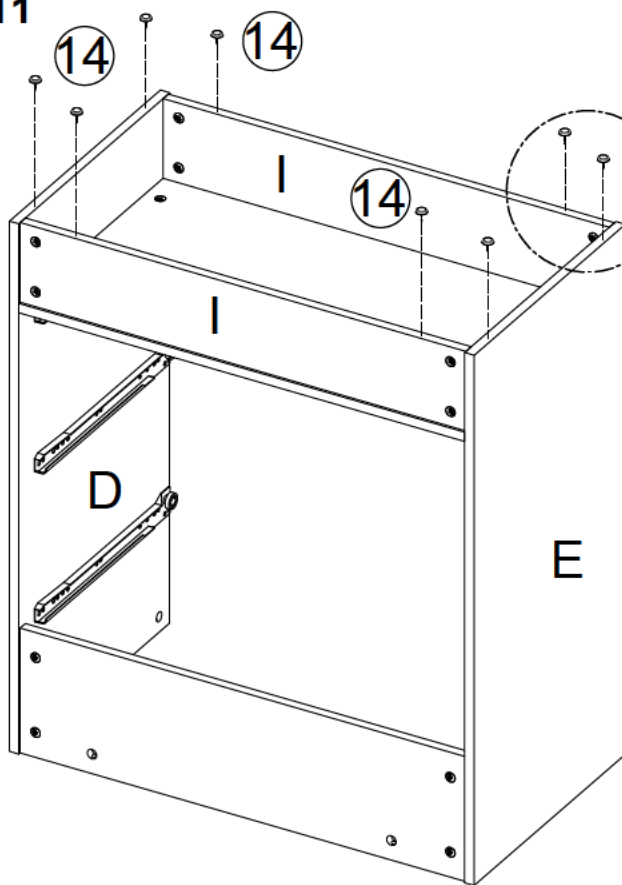
Keep the holes of the Part I as shown

### STEP 10



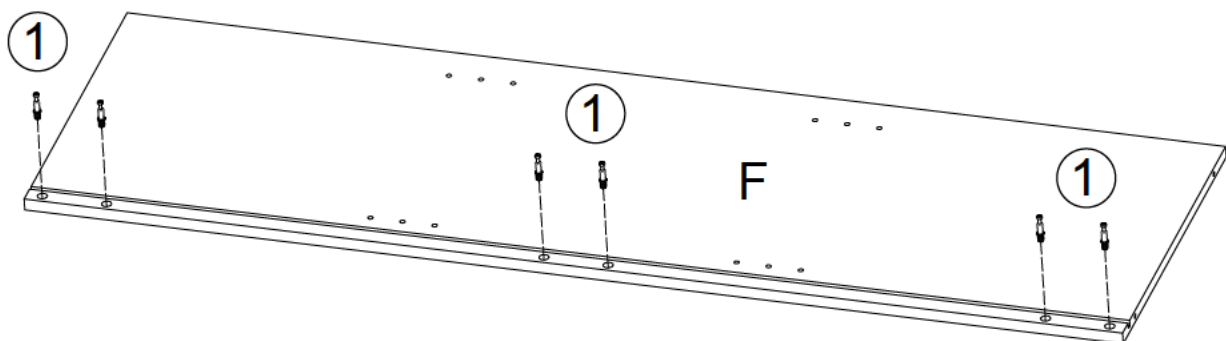
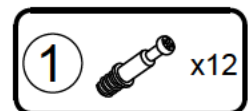
Keep the holes of the Part I and Part K toward this direction as shown

### STEP 11



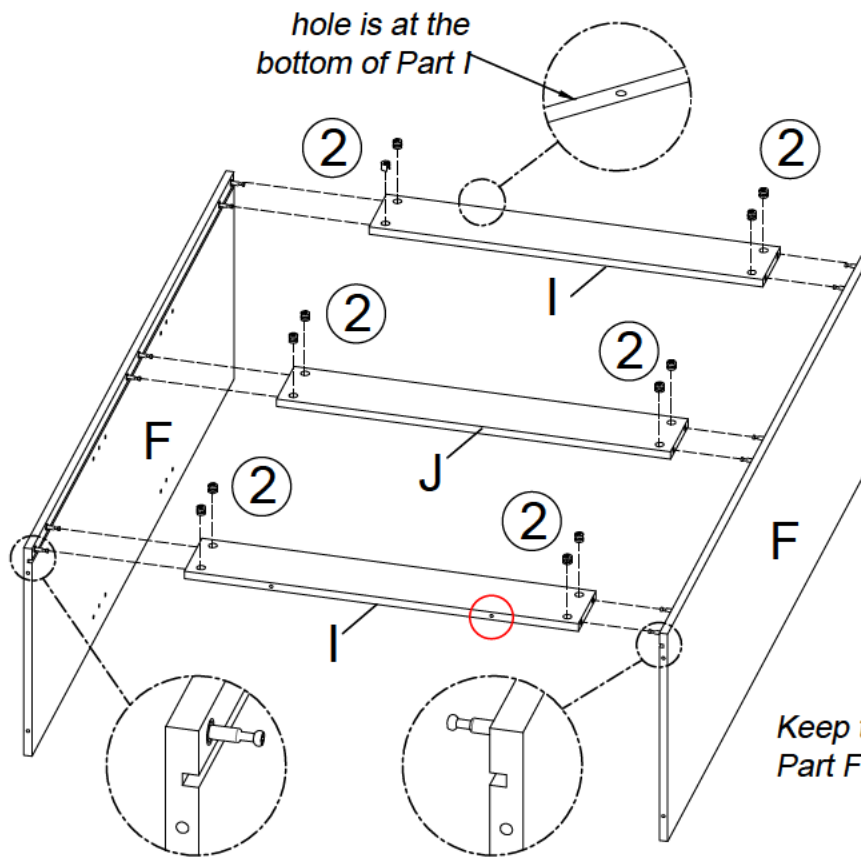
Gently tap the Floor Protectors (14) at the bottom of side panels avoiding crack or damage of side panel.

### STEP 12



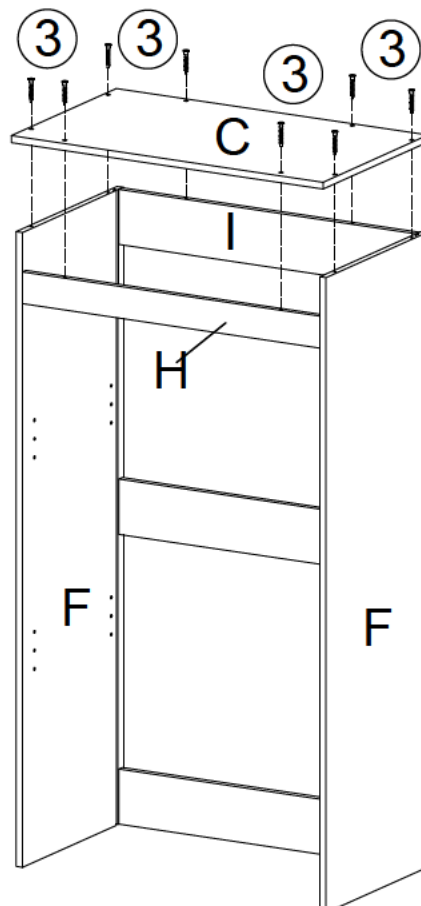
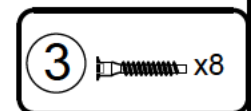
X2

### STEP 13

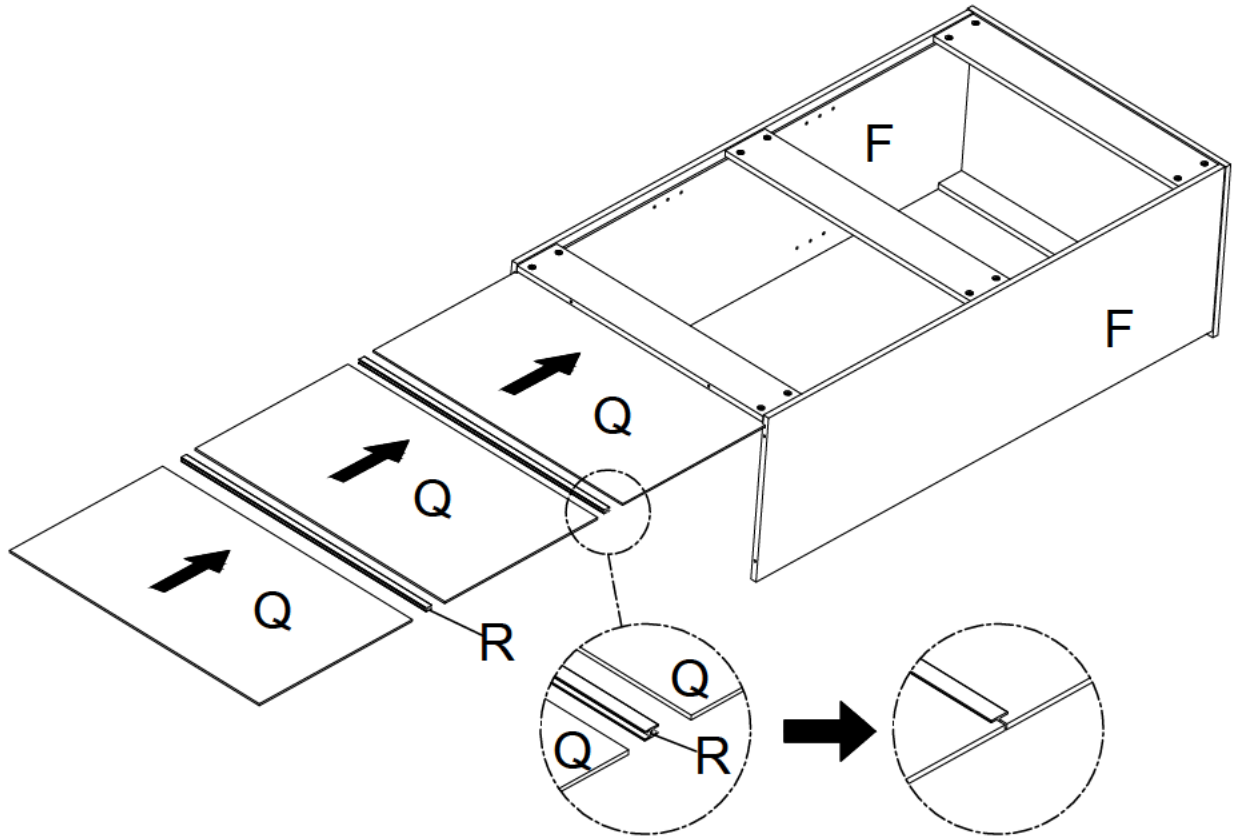


Keep the holes of the Part F and Part I as shown

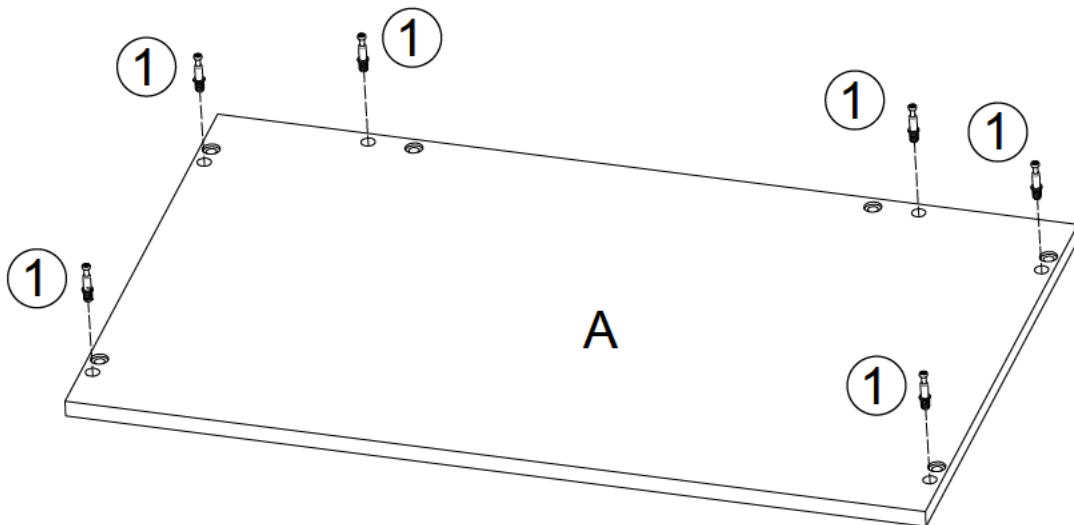
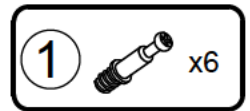
### STEP 14



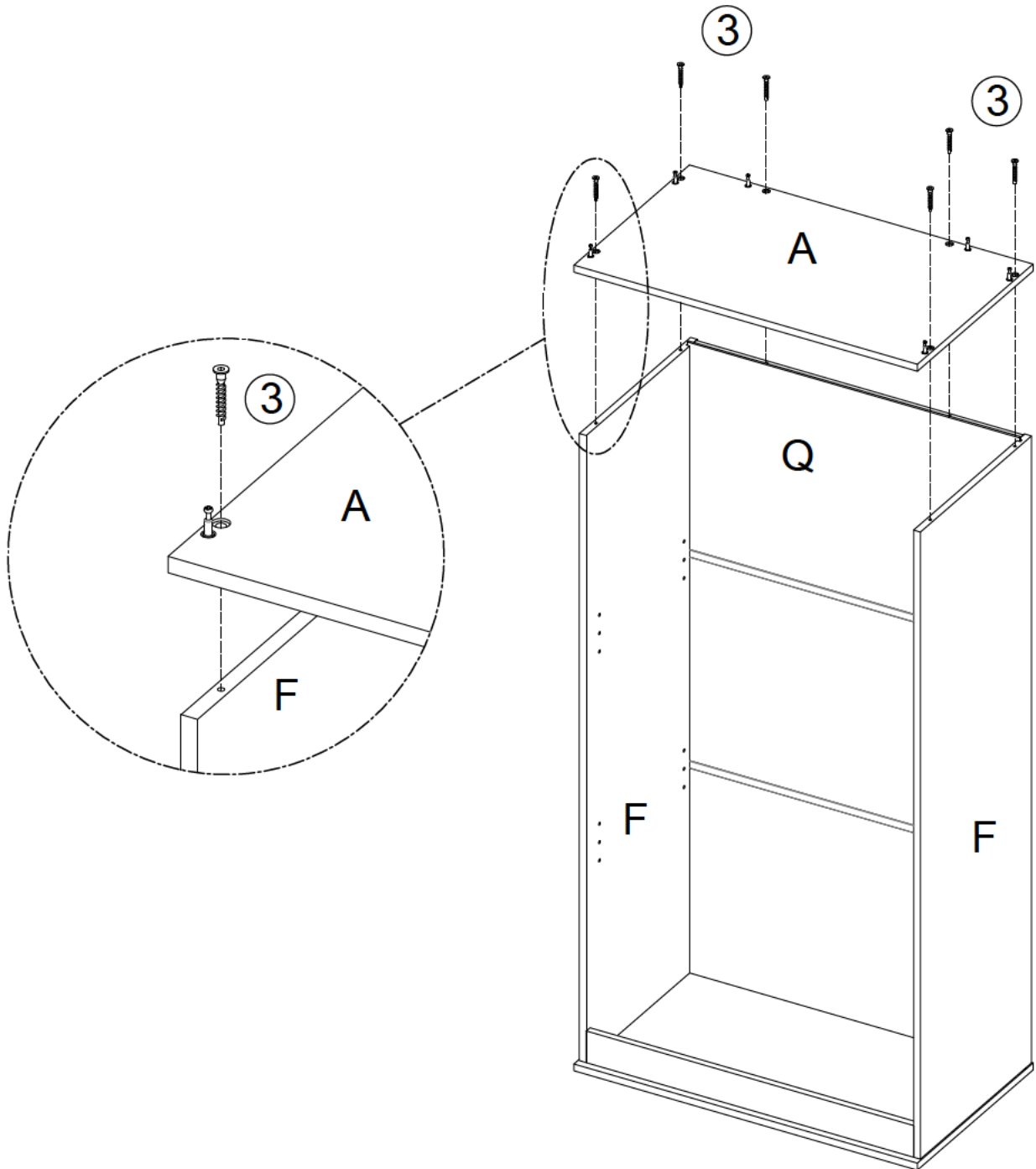
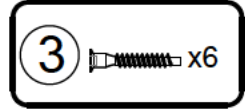
**STEP 15**




**STEP 16**

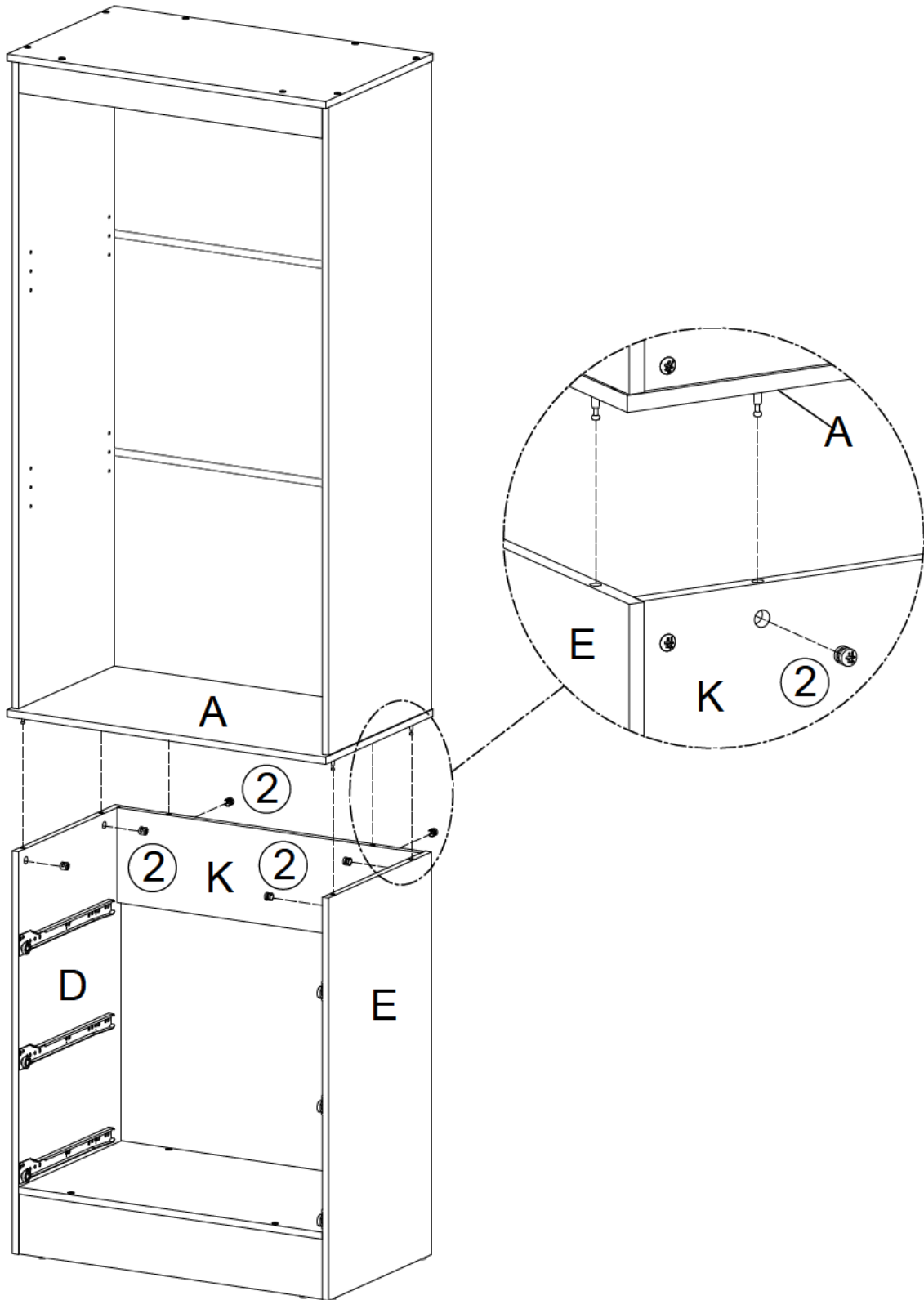


STEP 17

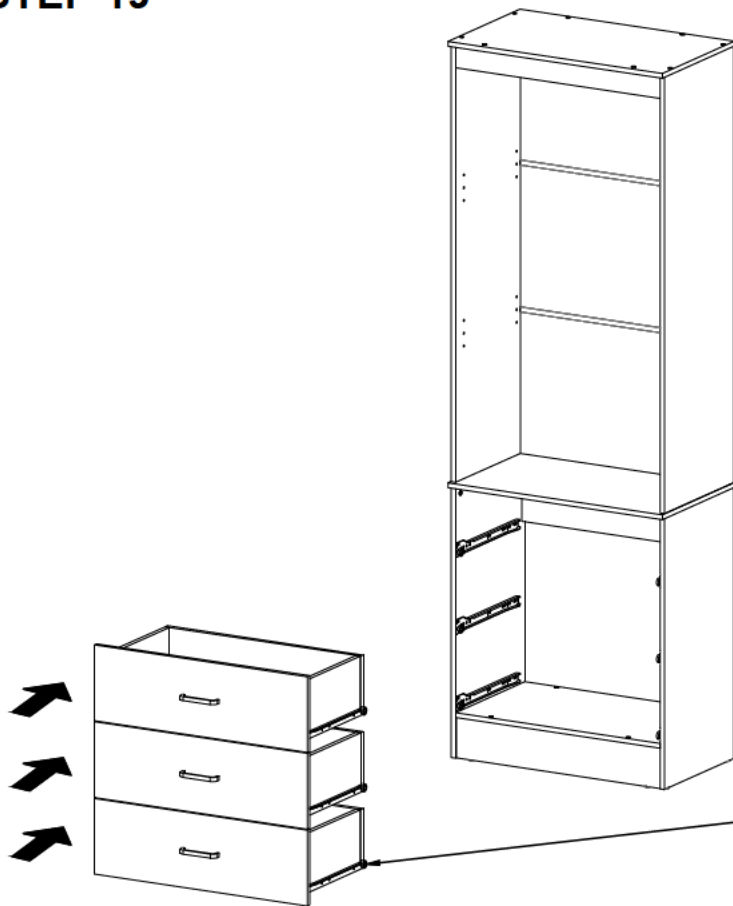


# STEP 18

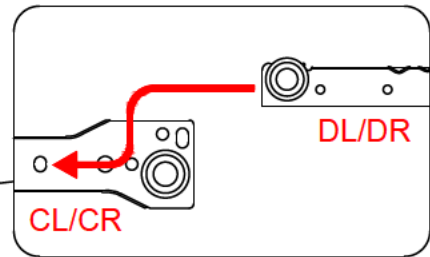
②  x6



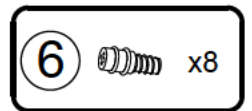
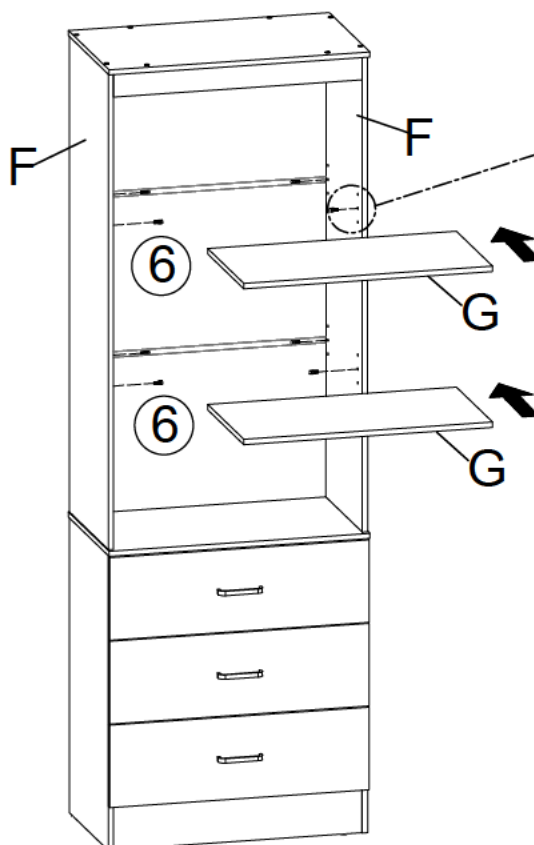
## STEP 19



Please put the wheels align with the slots as the instruction shows, then slide into them

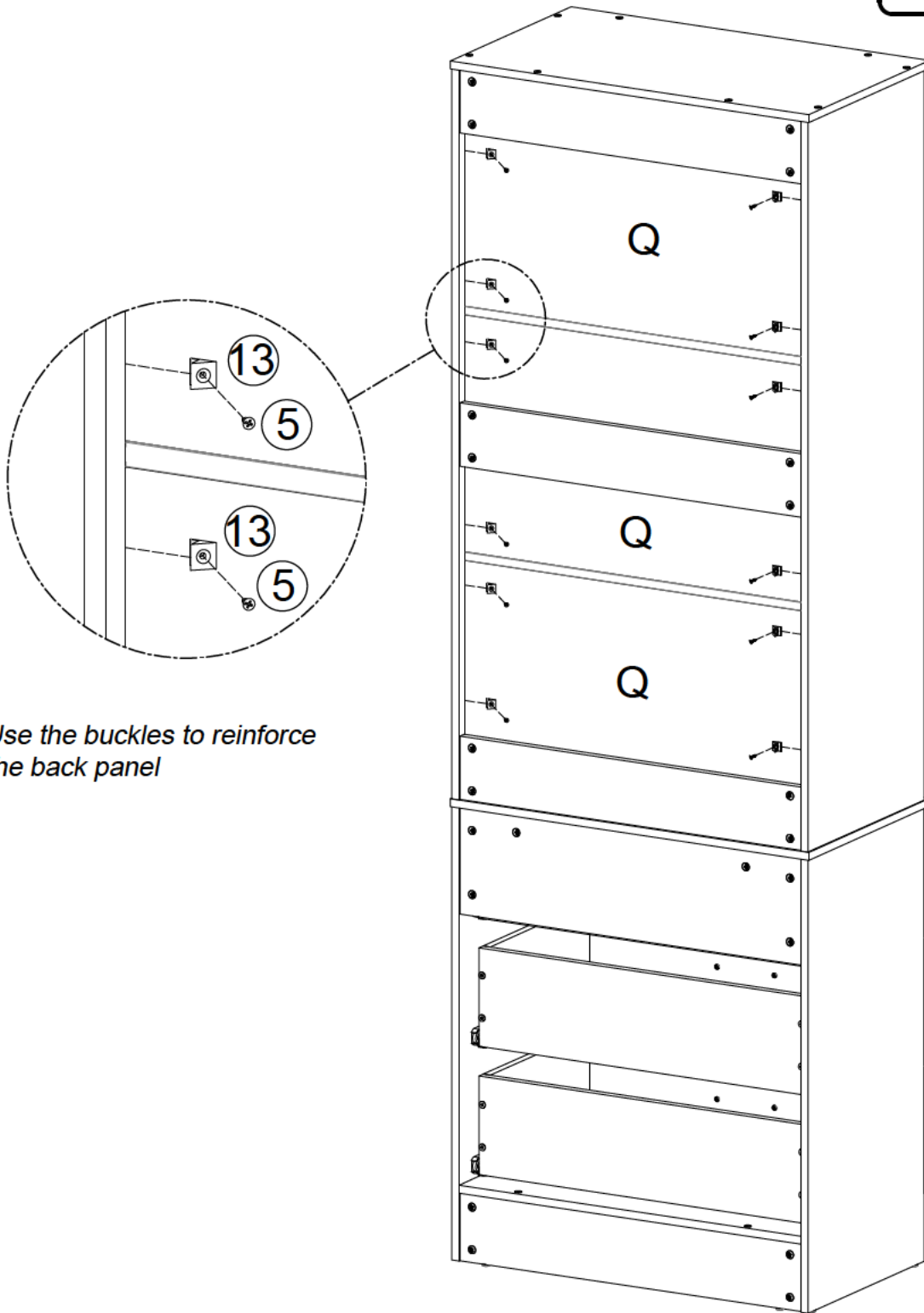
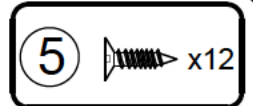


## STEP 20



There are 3 heights for the shelf to be adjusted as you need.

# STEP 21



*Use the buckles to reinforce the back panel*

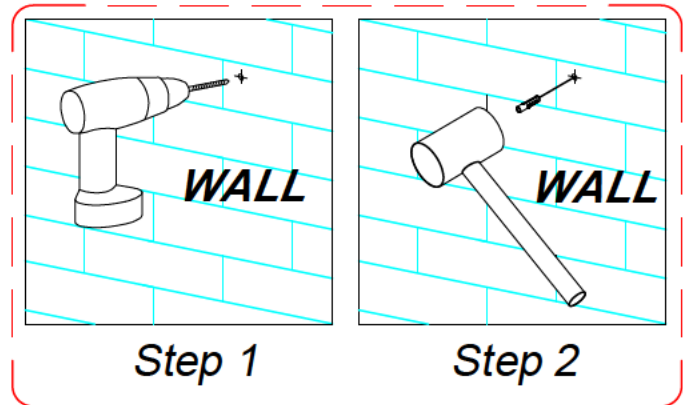
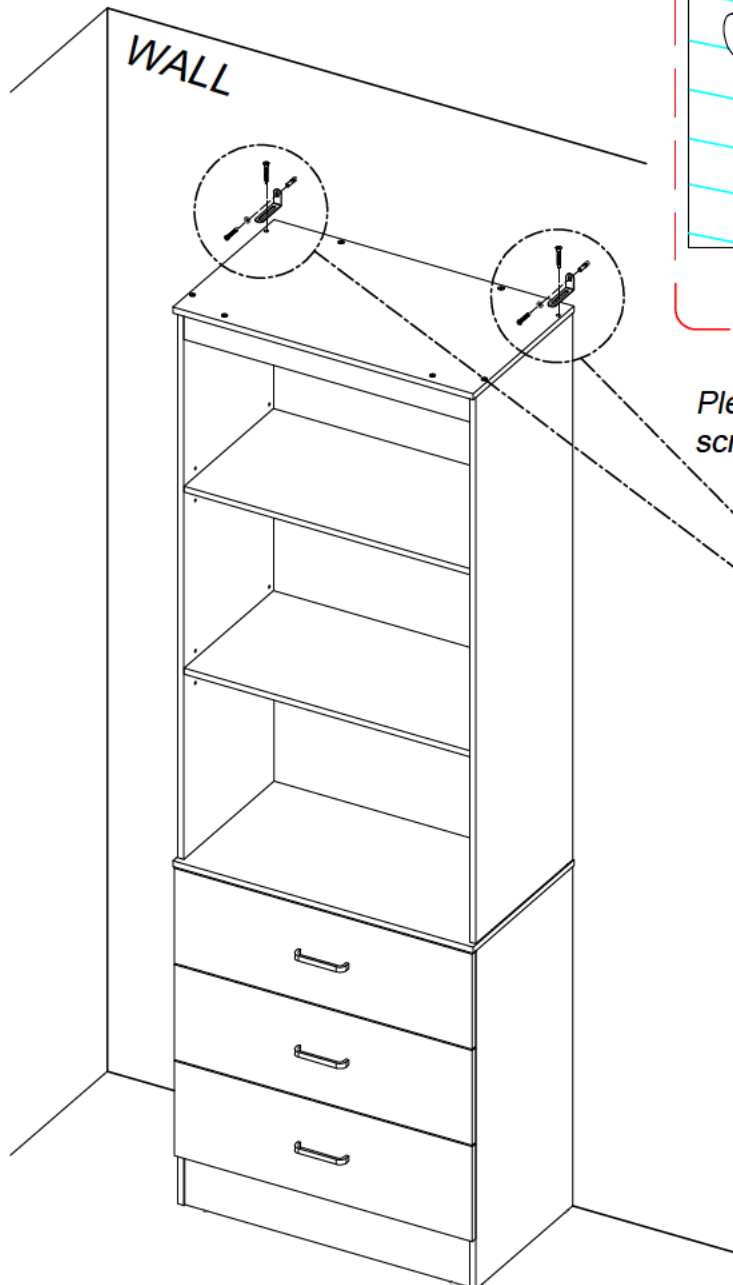
## STEP 22



### TIPPING RESTRAINT HARDWARE

**Note:** We have included two Tipping Restraint Hardware set for this Unit. When properly installed, this restraint can provide protection against the unexpected tipping of the Unit due to small tremors, bumps or climbing. We strongly recommend mounting this hardware to a wall stud and your Unit.

**Note:** You must install the Tipping Restraint Hardware with the unit in use to prevent any accidents or damage to the unit.



Please unscrew one Part ③ screw first, then install Part ⑫.

Tipping Restraint Hardware