

INSTRUCTION MANUAL

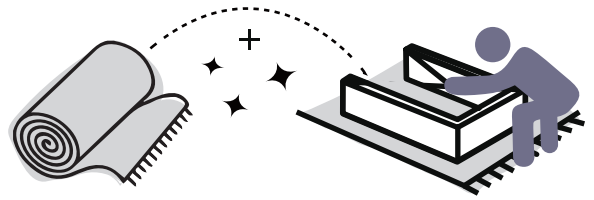
TOOLS REQUIRED



**SLOTTED
SCREWDRIVER**



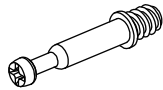
**PHILLIPS
SCREWDRIVER**



HARDWARE

A

Cam bolt



M6x35mm

37PCS

B

Cam lock

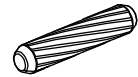


M15x10mm

37PCS

C

Wooden dowel

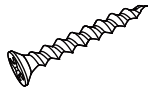


M6x30mm

36PCS

D

Screw



M4x40mm

17PCS

E

Bolt



M6x20mm

3PCS

F

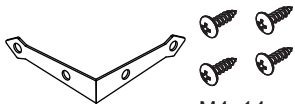
Washers



2PCS

G

Anti collision pad

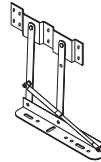


M4x14mm

4PCS

H

Support bar



2PCS

J

Screw

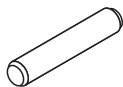


M4x14mm

26PCS

K

Shelf bracket



4PCS

L

Guide veneer

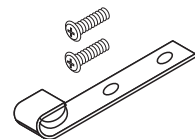


M4x14mm

2PCS

M

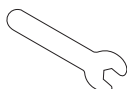
Iron hook



2PCS

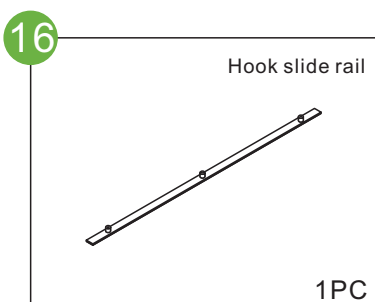
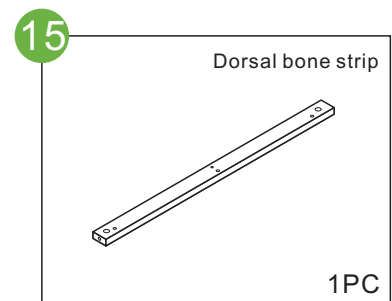
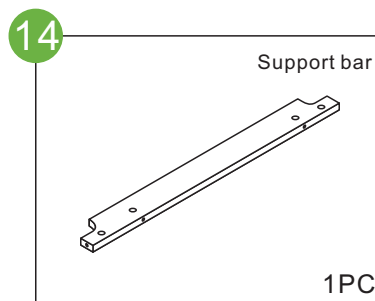
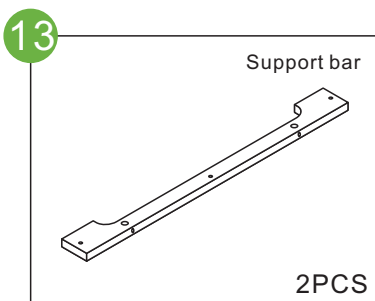
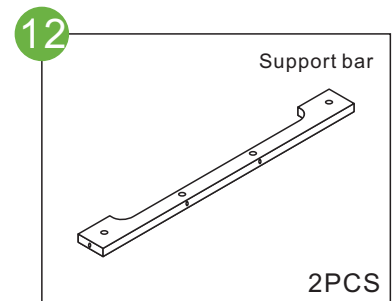
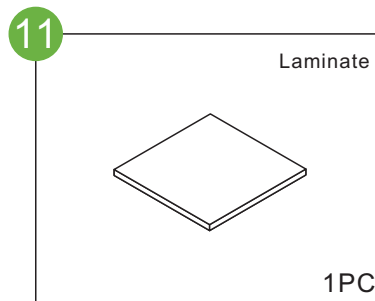
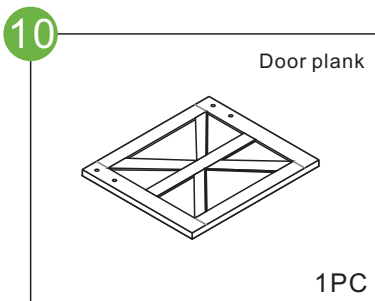
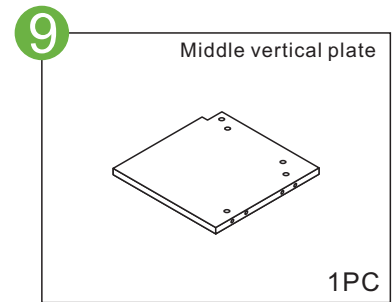
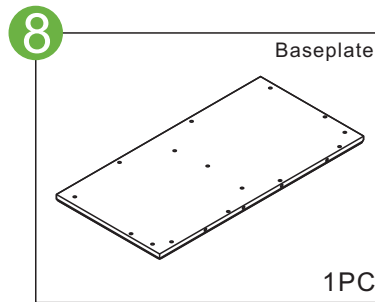
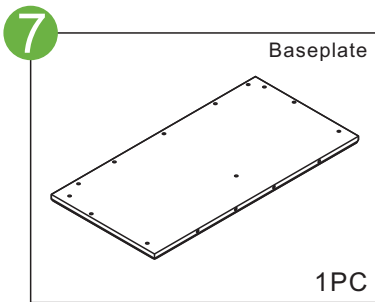
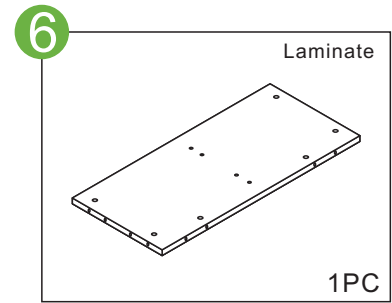
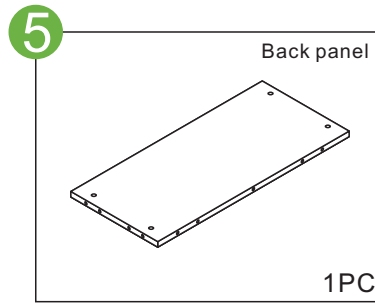
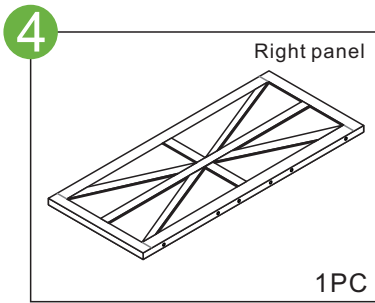
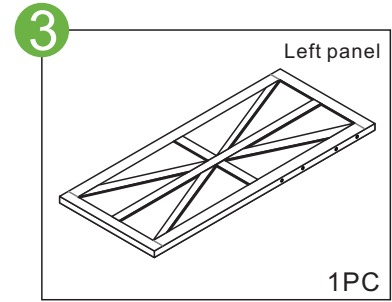
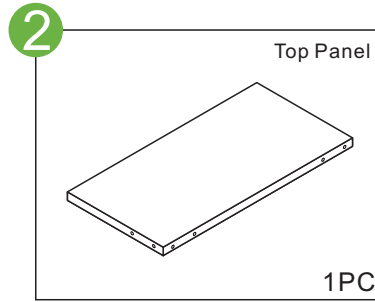
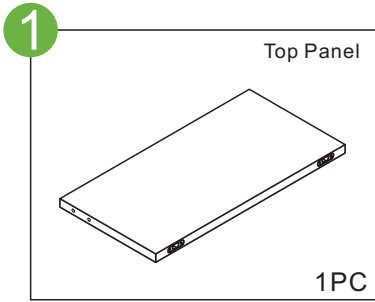
N

Wrench



1PC

PARTS

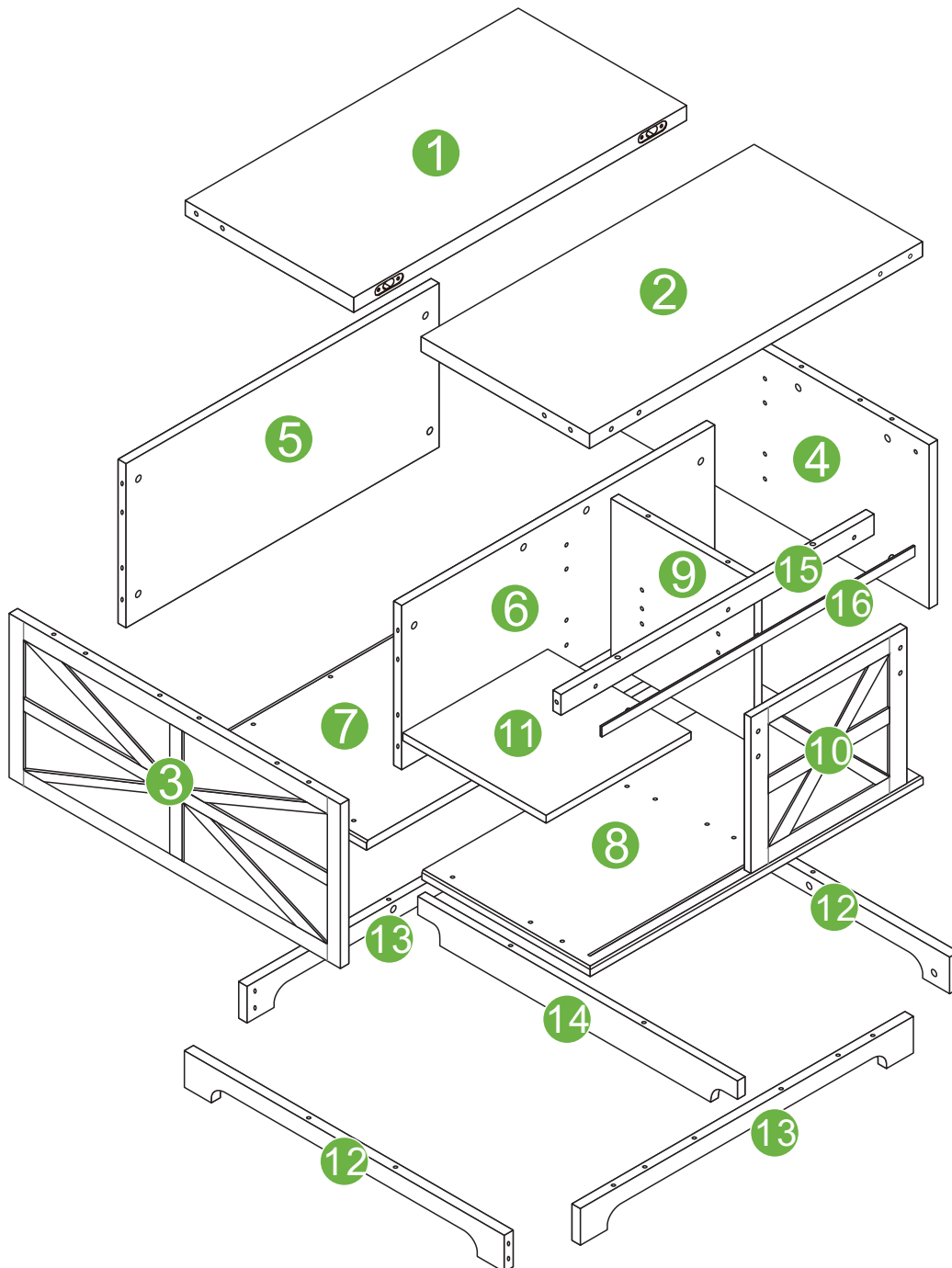


! NOTICE

Please retain these instructions for future reference.

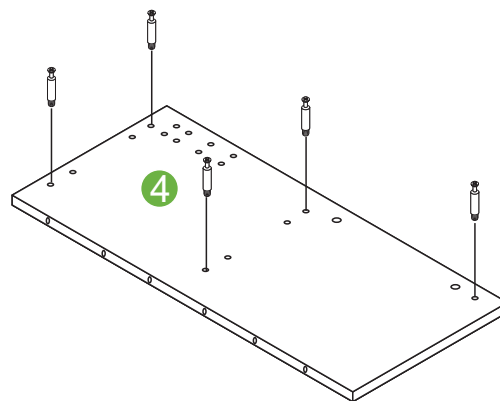
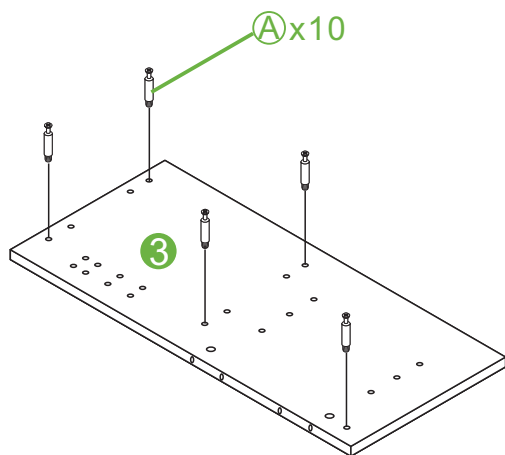
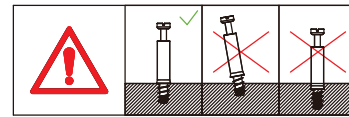
- Make sure that all screws are tightened. Check these regularly. Do not overtighten the screws!
- Do not use or store this item in the proximity of open flame or flammable/combustible chemicals.
- If any parts are missing, broken, damaged, or worn, stop using this item until repairs are made and/or factory replacement parts are installed.
- When cleaning do not use any abrasive or caustic agents or hard brushes etc.
- Clean the surfaces with a damp, lint-free cloth and wipe with a dry cloth.
- Carefully remove all packing material and discard it sorted. Make sure that you do not accidentally throw away mounting material.
- Any question or problem, please contact us freely!

PRODUCT ASSEMBLY



1

Please pay attention to the installation method

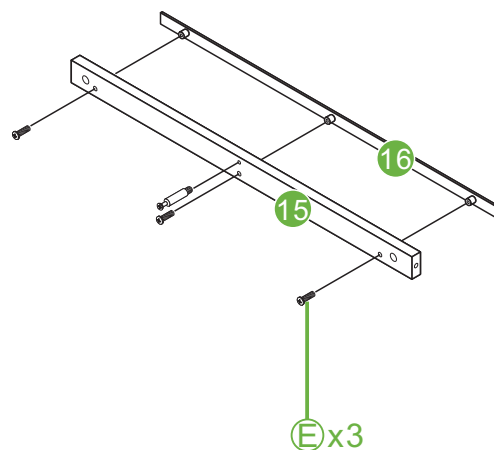
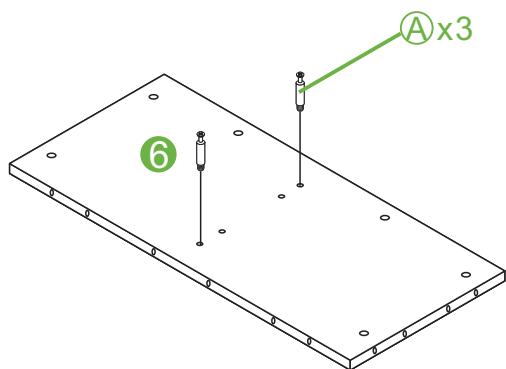


Insert ten cam bolts A into side plates # 3 and # 4, with five bolts per plate



2

Install two cam bolts A onto the # 6 layer board

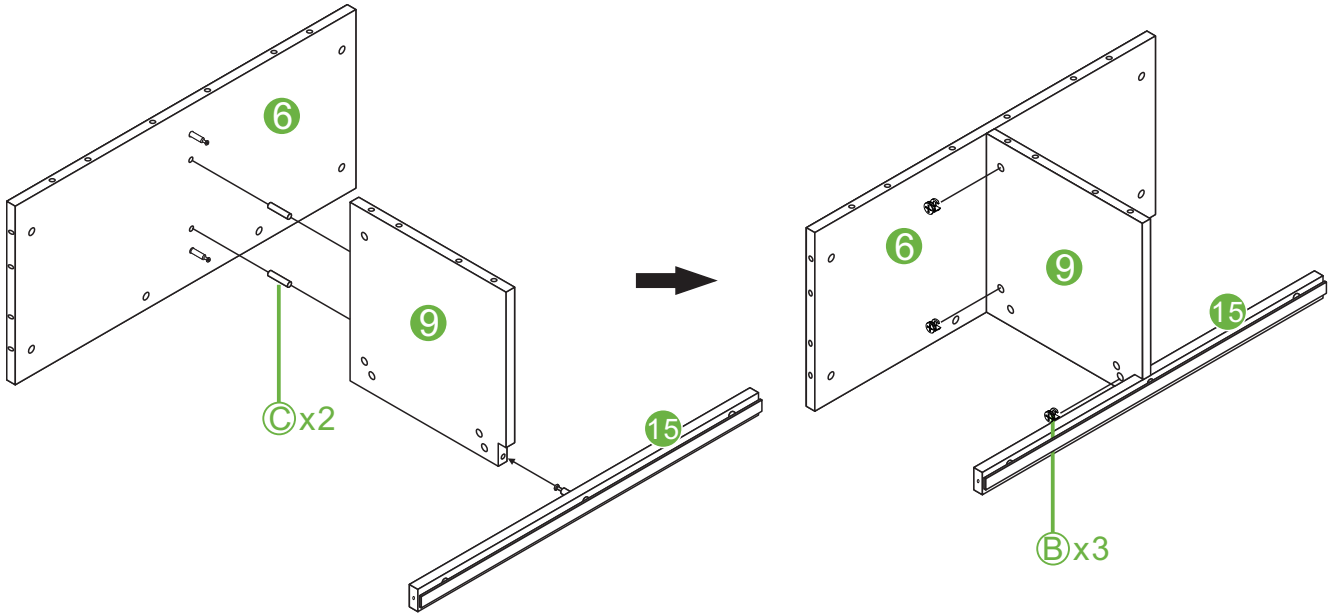
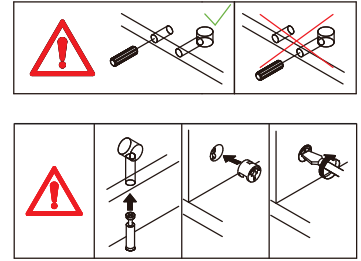


Insert a cam bolt A into panel # 15, then connect panel # 15 to part # 16 and secure it with three bolts E



3

Please pay attention to the installation method

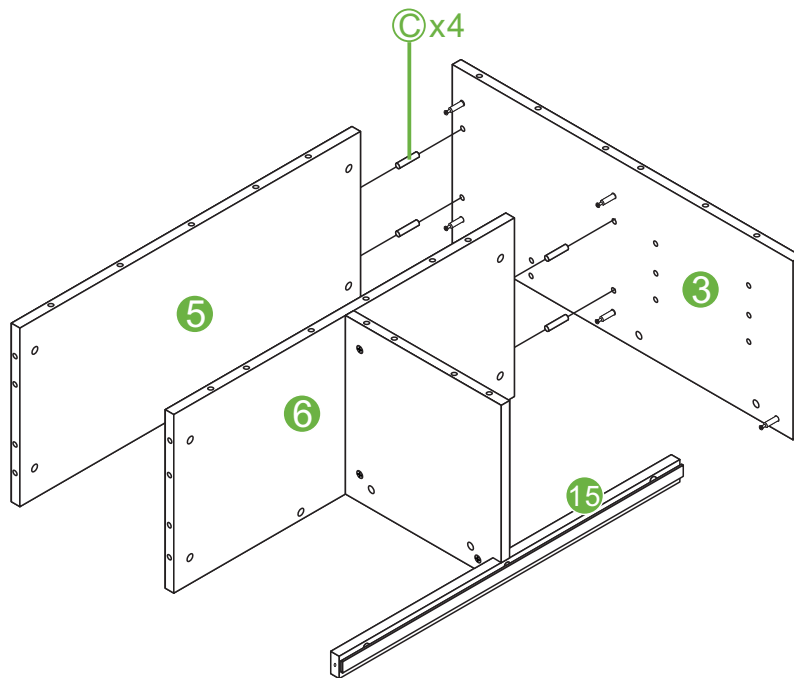


As shown in the figure

-  Bx3
-  Cx2

Insert two wooden dowels C into the # 9 layer board and connect the # 6 # 15 panels, then fix them with three cam locks B

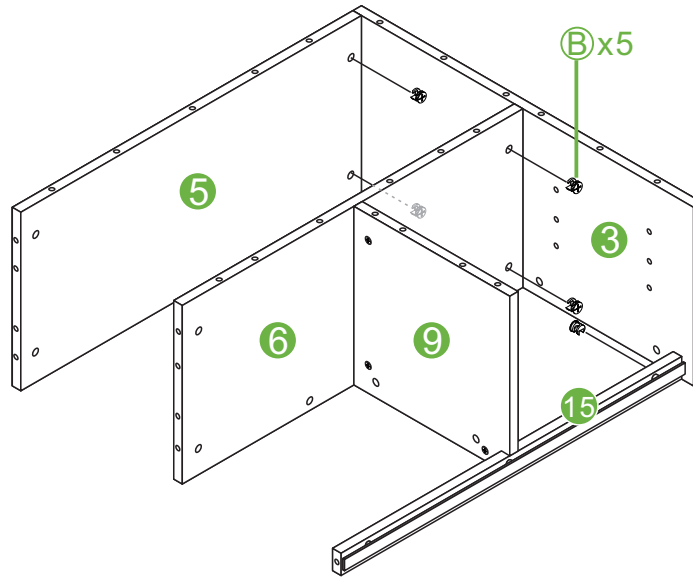
4



Insert four wooden dowels C into the # 3 side panel and connect them to the # 5 back panel and # 6 frame

-  Cx4

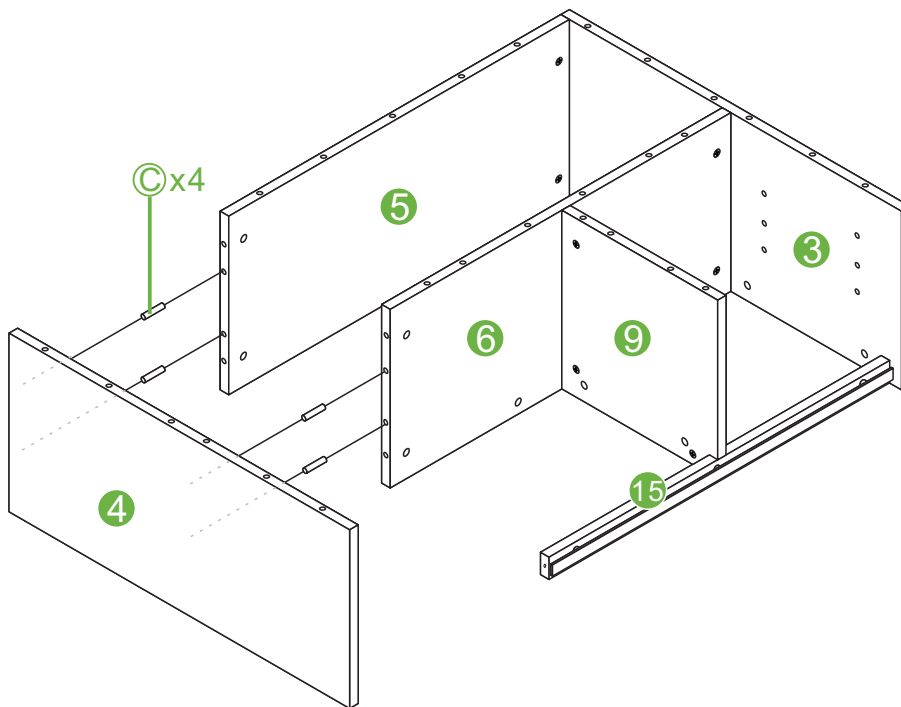
5



Install five cam locks B in the corresponding positions

 Bx5

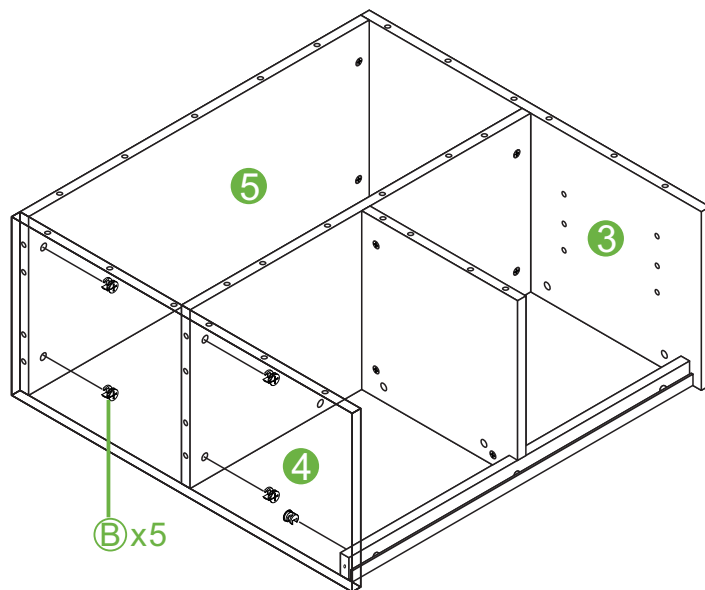
6



Insert four wooden dowels C into the # 5 # 6 frame and connect the # 4 side panel

 Cx4

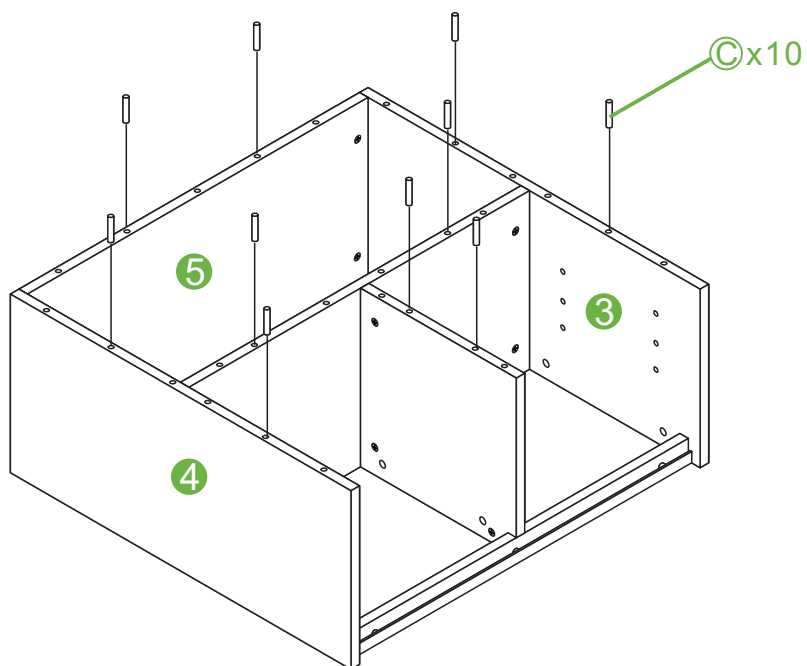
7



Install five cam locks B in the corresponding positions

 Bx5

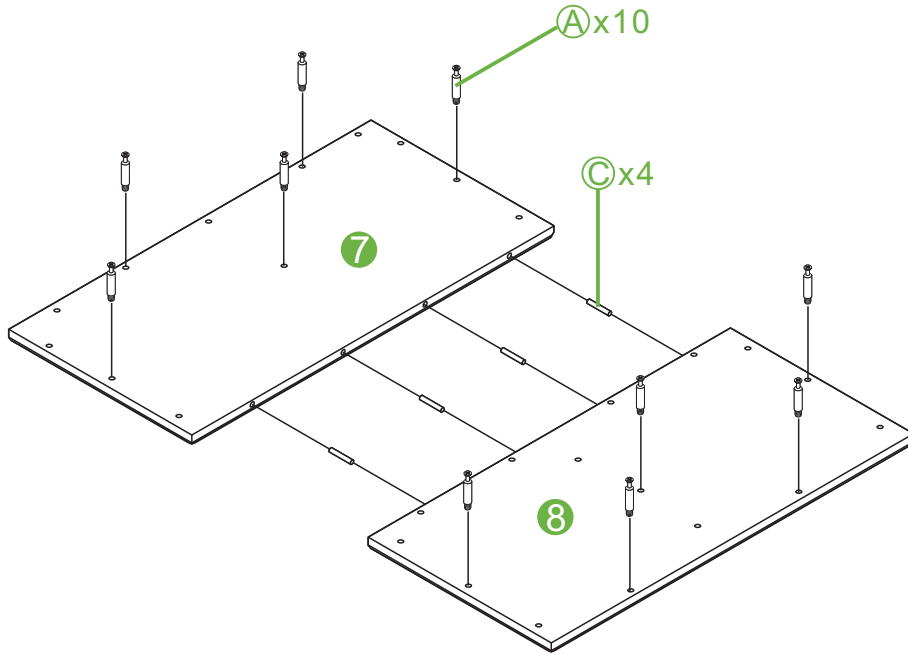
8



Insert ten wooden dowels C into the corresponding positions

 Cx10

9

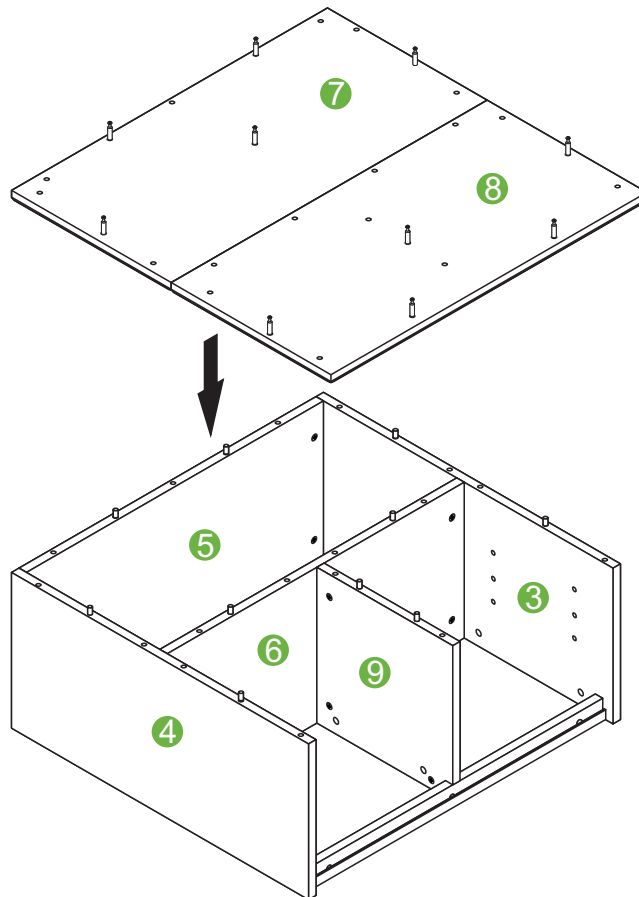


Install ten cam bolts A onto the # 7 # 8 base plate, with five bolts per panel
then insert four wooden dowels C into the # 7 base plate and connect them to the # 8 base plate

 Ax10

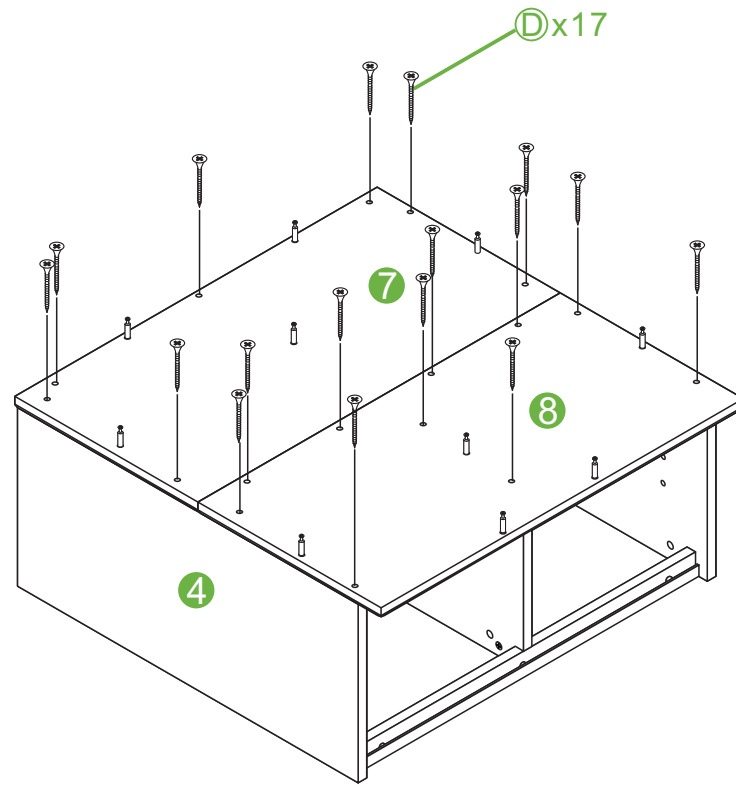
 Cx4

10



Connect the # 7 base plate above the frame as shown in the figure

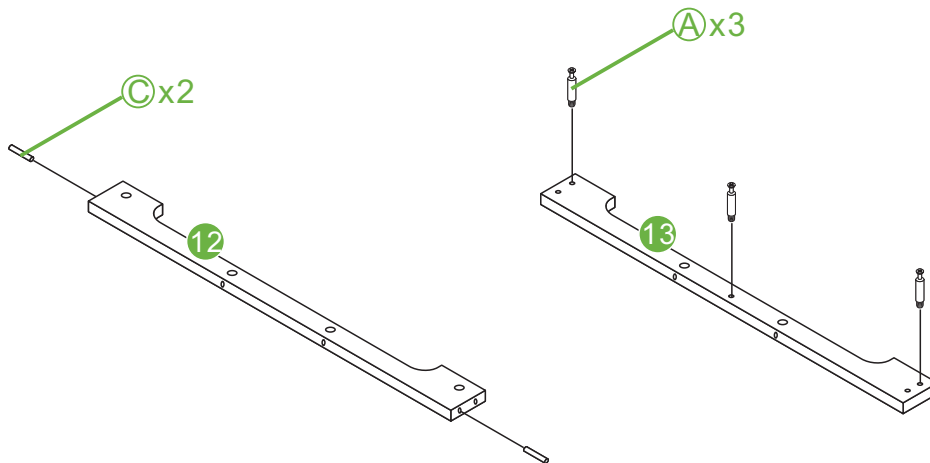
11



Fix with seventeen screws D

 Dx17

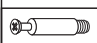
12



x2

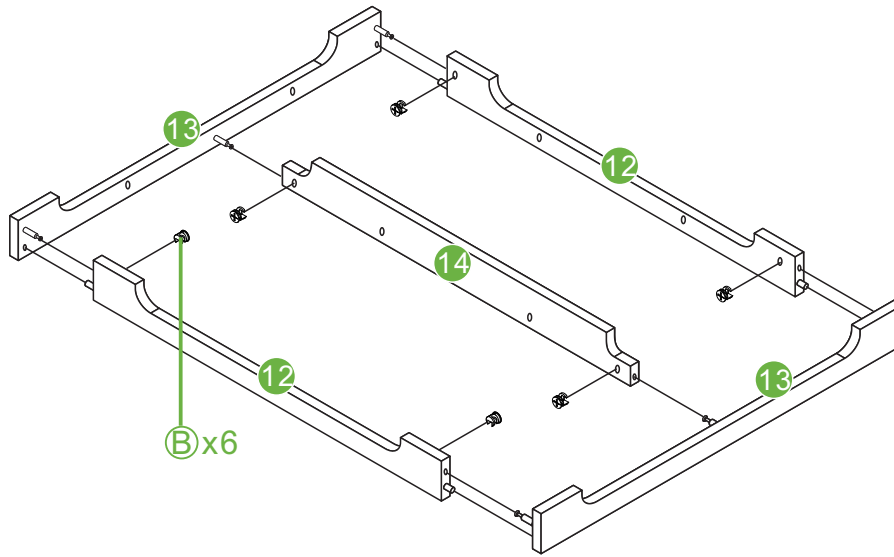
Insert two wooden dowels C into the # 12 support bar at the corresponding positions

Insert three cam bolts A into the # 13 support bar at the corresponding positions

 Ax6

 Cx4

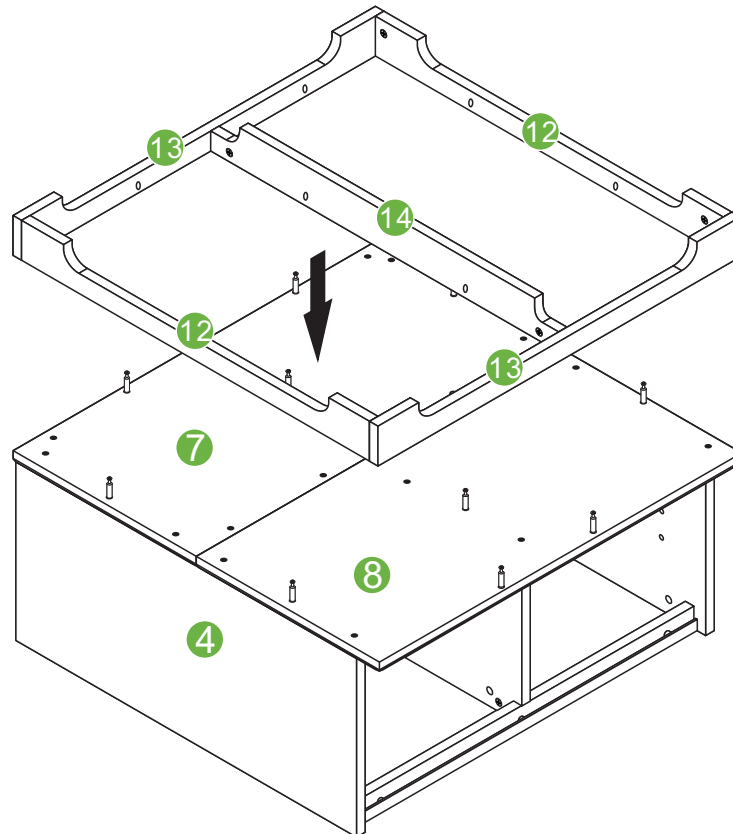
13



As shown in the figure
Connect the support bars # 12 # 13 # 14 and secure them with six cam locks B

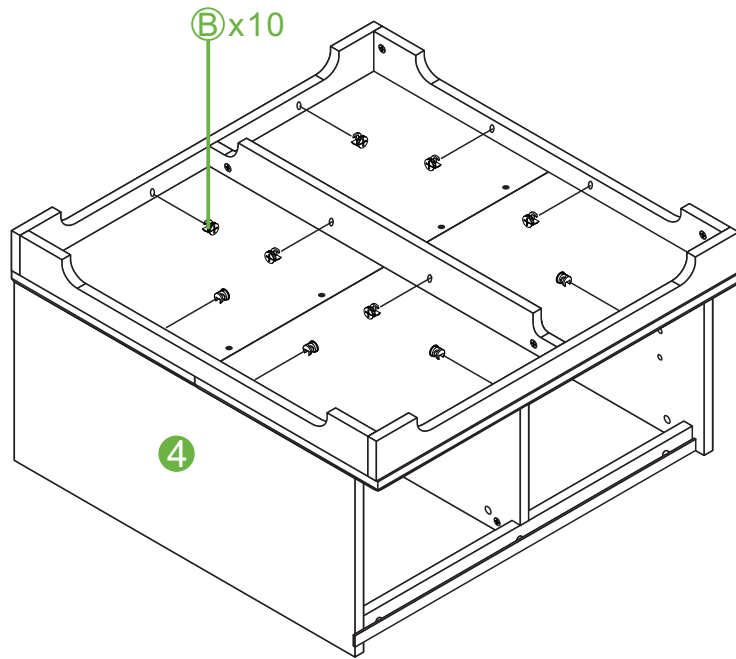
 Bx6

14



As shown in the figure
Connect the # 12 # 13 framework to the # 7 # 8 framework

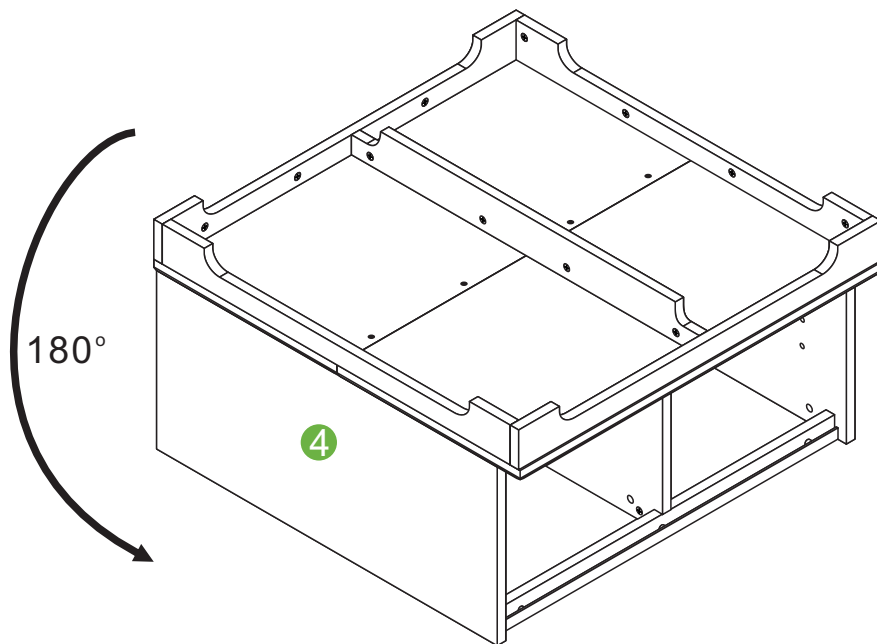
15



Install ten cam locks B in the corresponding positions

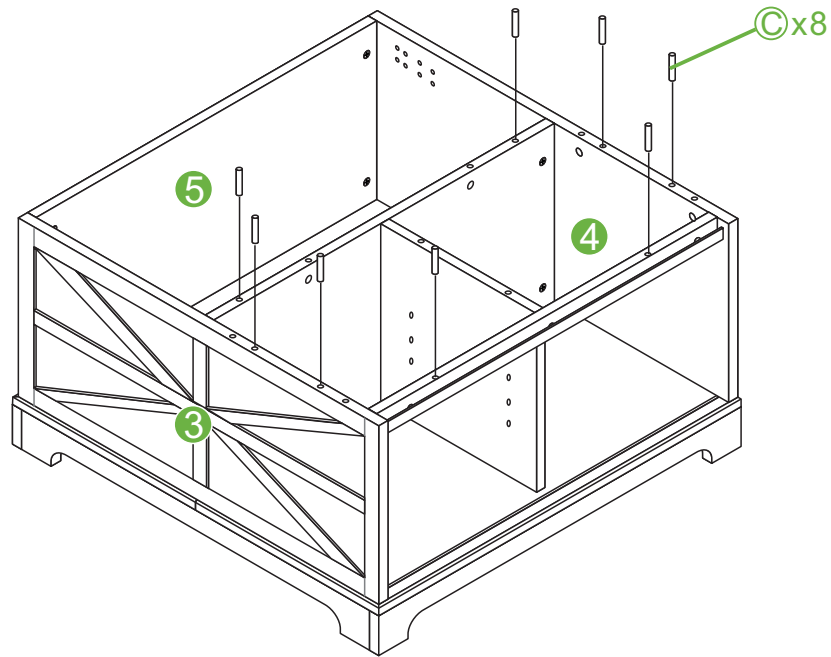
 Bx10

16



Flip the installed framework 180 degrees

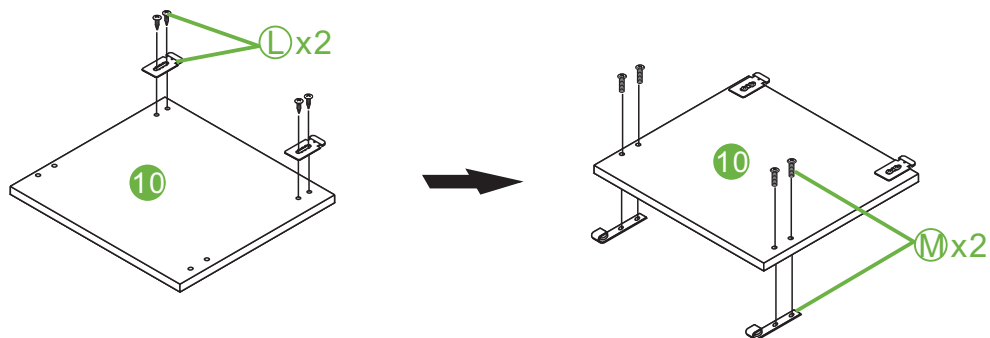
17



Insert eight wooden dowels C into the corresponding positions of the frame

 Cx8

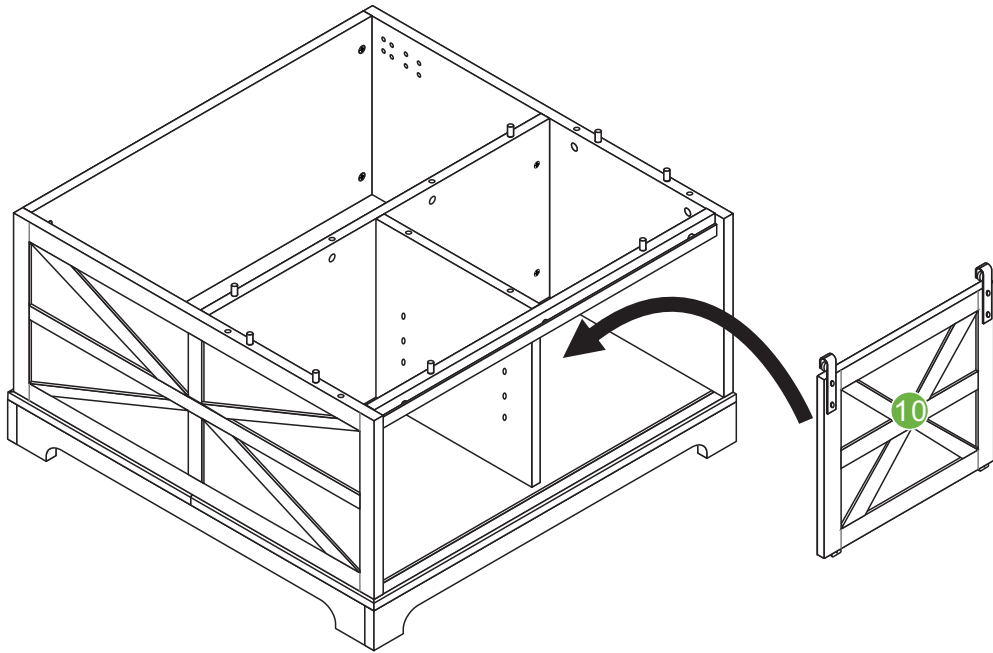
18



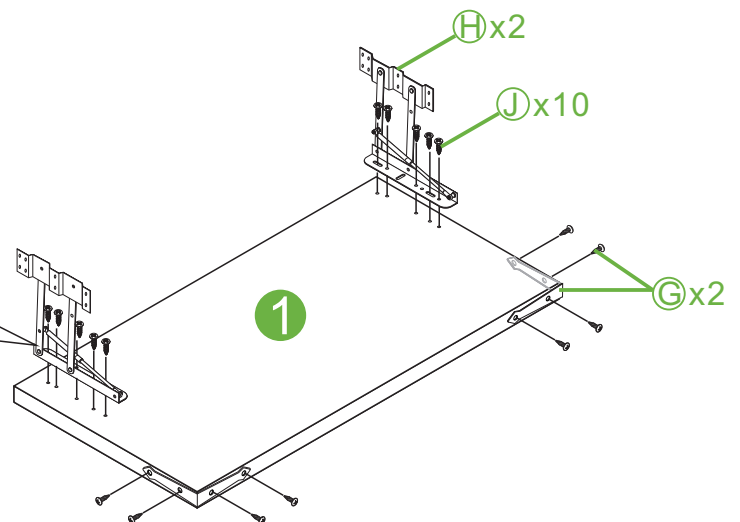
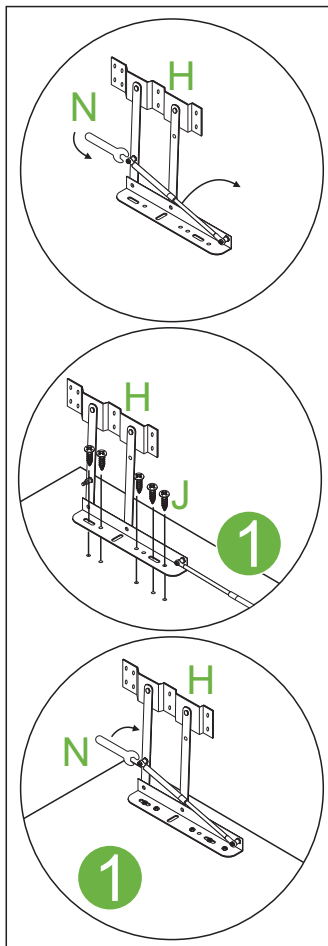
Install two guide veneer L onto the # 10 door panel using four screws L, one guide veneer with two screws

Install two hooks M onto the # 10 door panel using four bolts M, with one hook using two bolts

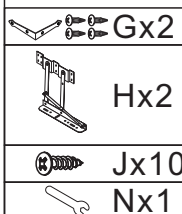
 Lx2
 Mx2



As shown in the figure
Install the # 10 door panel according to the sliding rail position

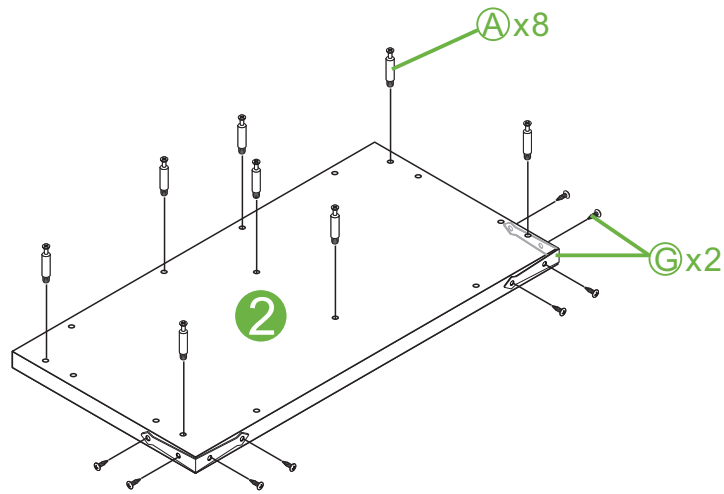


Firstly, use wrench N to unscrew the nut of support rod H,
Then fix the support rod to the # 1 top plate with ten screws J,
Finally tighten the nut. one support rod uses five screws



Install two crash pads G onto the # 1 top panels and secure them with eight screws G.
one crash pad has four screws

21



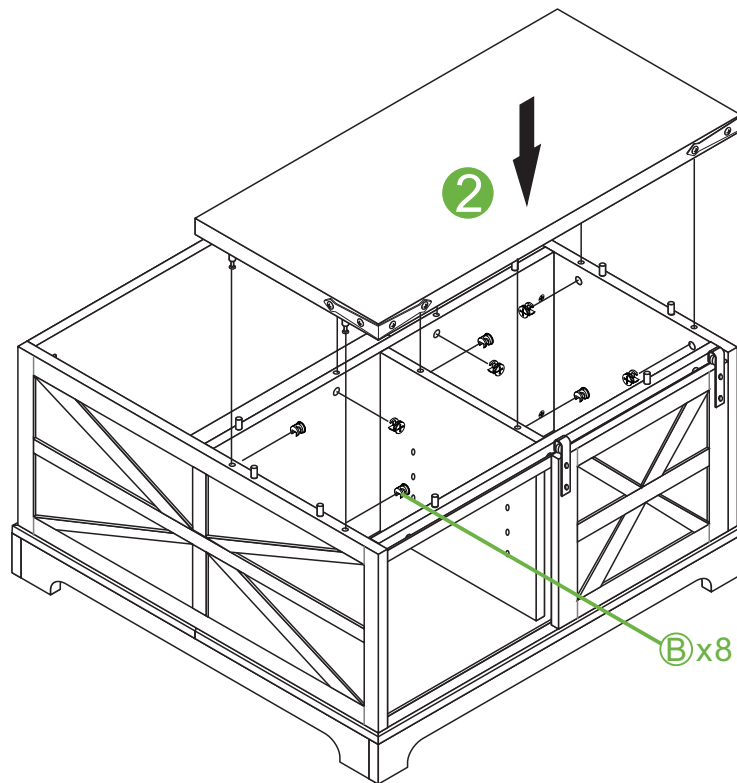
Install eight cam bolts A onto the # 2 top plate

Install two crash pads G onto the # 2 top panels and secure them with eight screws G. one crash pad has four screws

 Ax8

 Gx2

22

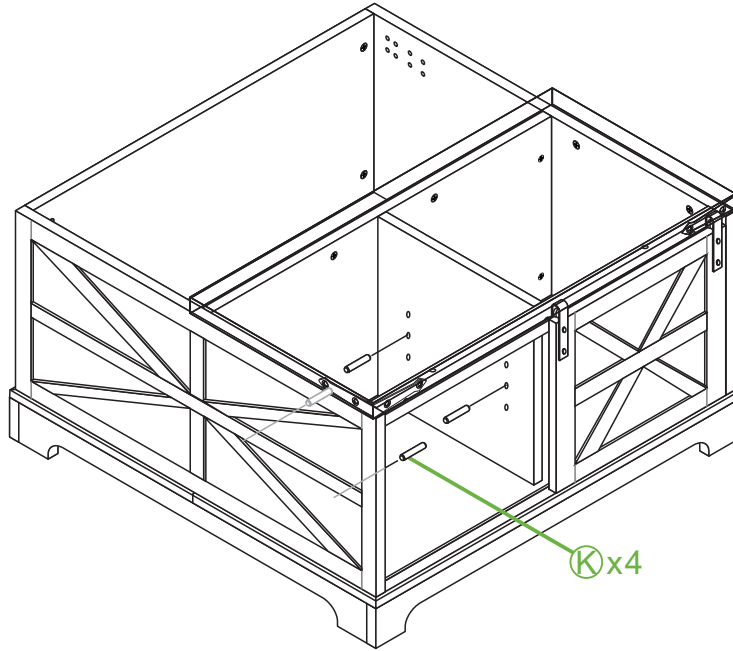


As shown in the figure

Connect the # 2 top plate to the frame and install eight cam locks B to secure it

 Bx8

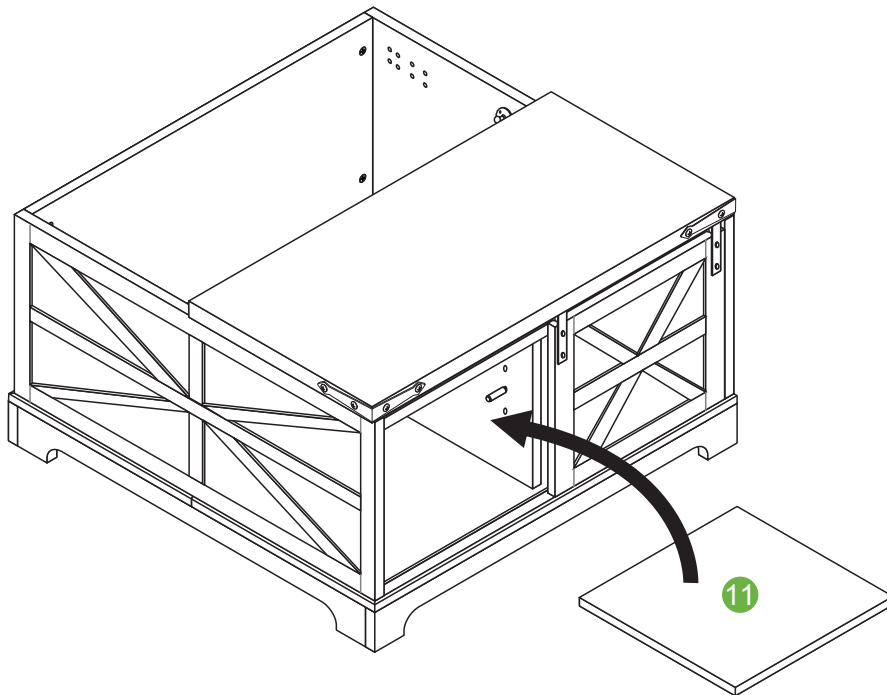
23



As shown in the figure
Insert shelf bracket K into the left frame

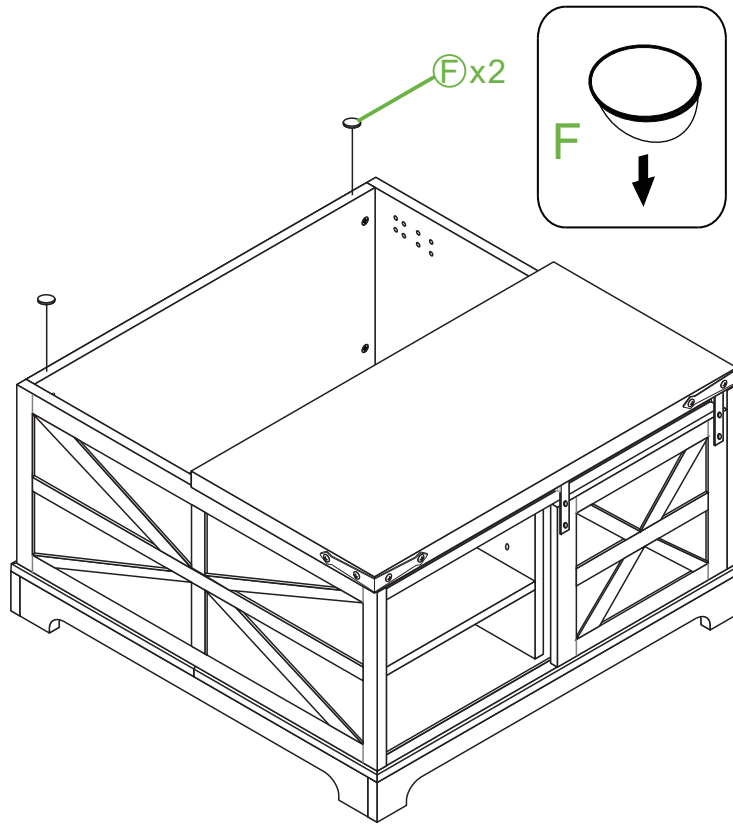
 Kx4

24



Place the # 11 layer board onto the bracket

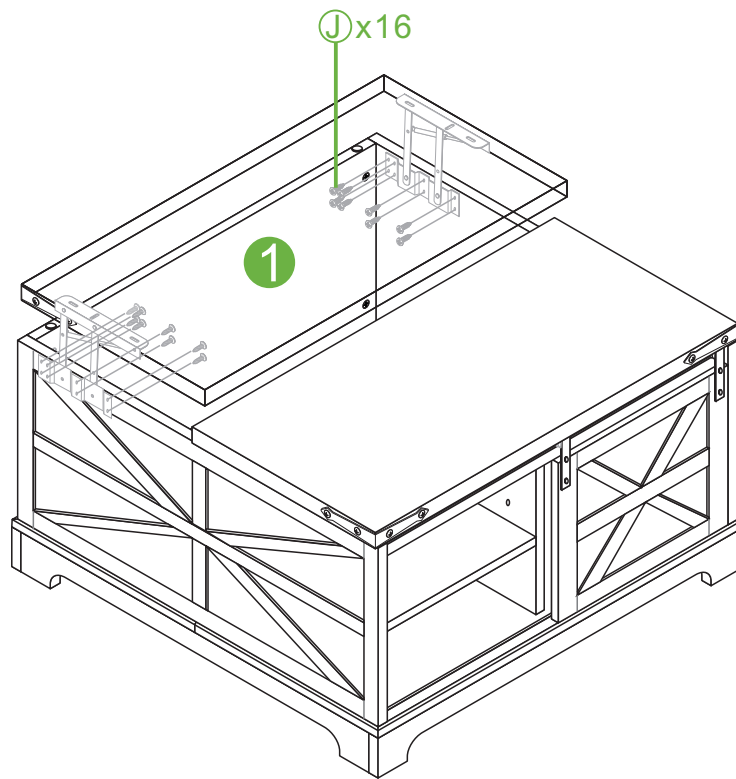
25



As shown in the figure
Tear off the gasket F and install it on the side panel

 Fx2

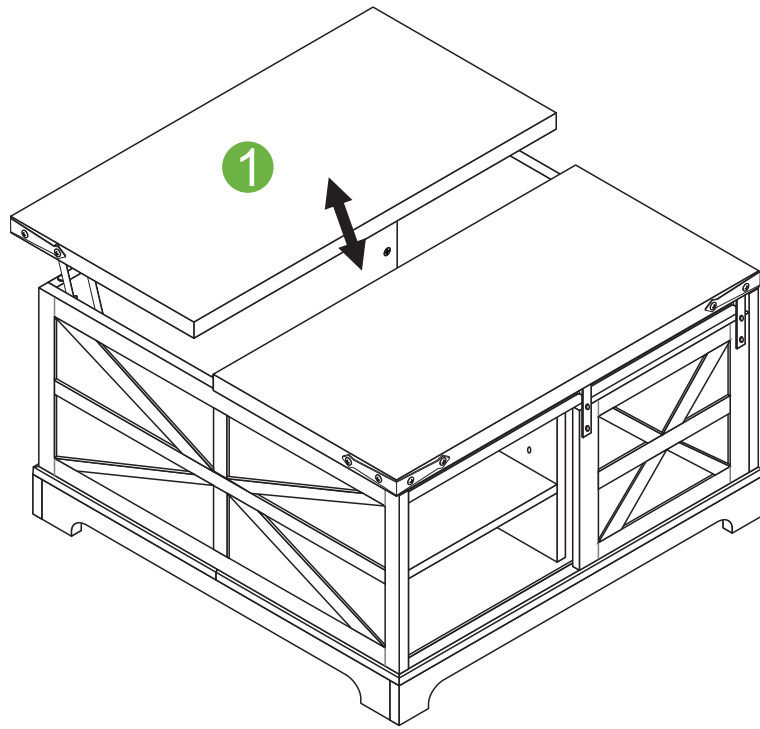
26



Fix with sixteen screws J

 Jx16

27



The top panel can be raised and lowered to open or close

28

