

WARNING:

Small parts and sharp points may be present prior to assembly.

Care Instructions

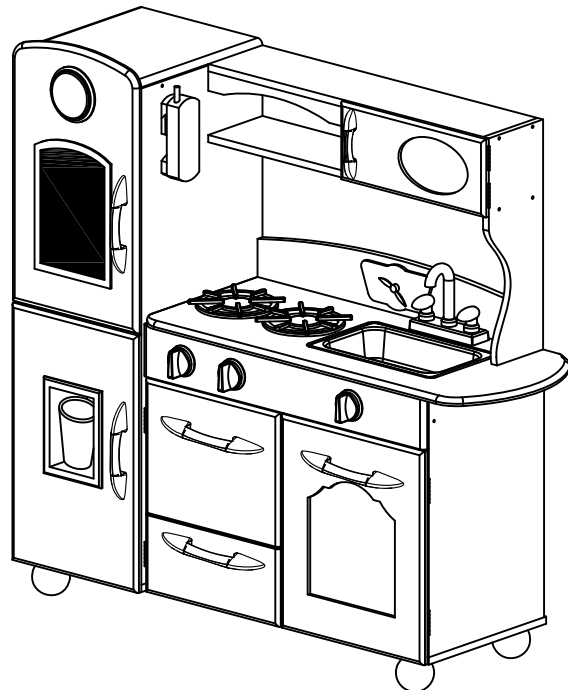
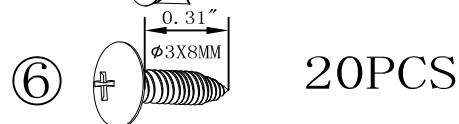
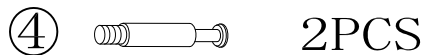
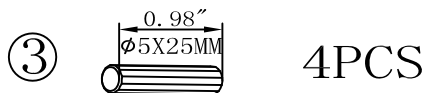
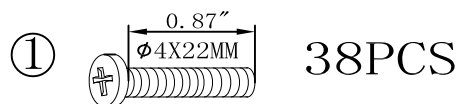
To clean your product, use mild soap and water on a damp cloth. Do not use window cleaners or cleaning abrasives as they will scratch the surface and could damage the protective coating.

Customer Service






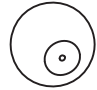
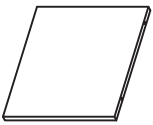
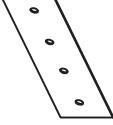
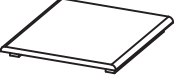
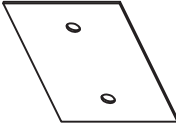
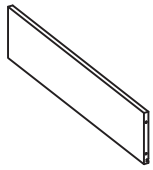
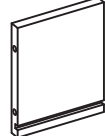
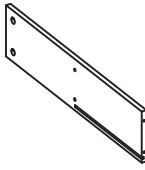
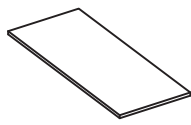
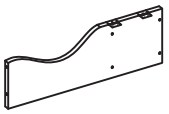
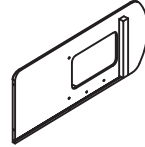
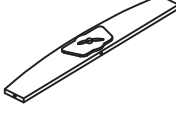


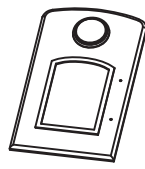
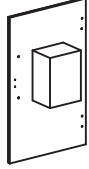
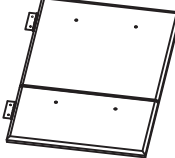


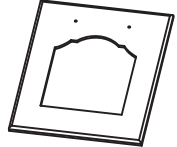


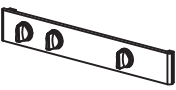

For questions regarding this product, or to receive replacement or missing parts, please contact customer service based on your location. Please have ready the model number and part number(s) located in this assembly instruction sheet when you contact us.

www.teamsonkids.com

HARDWARES:

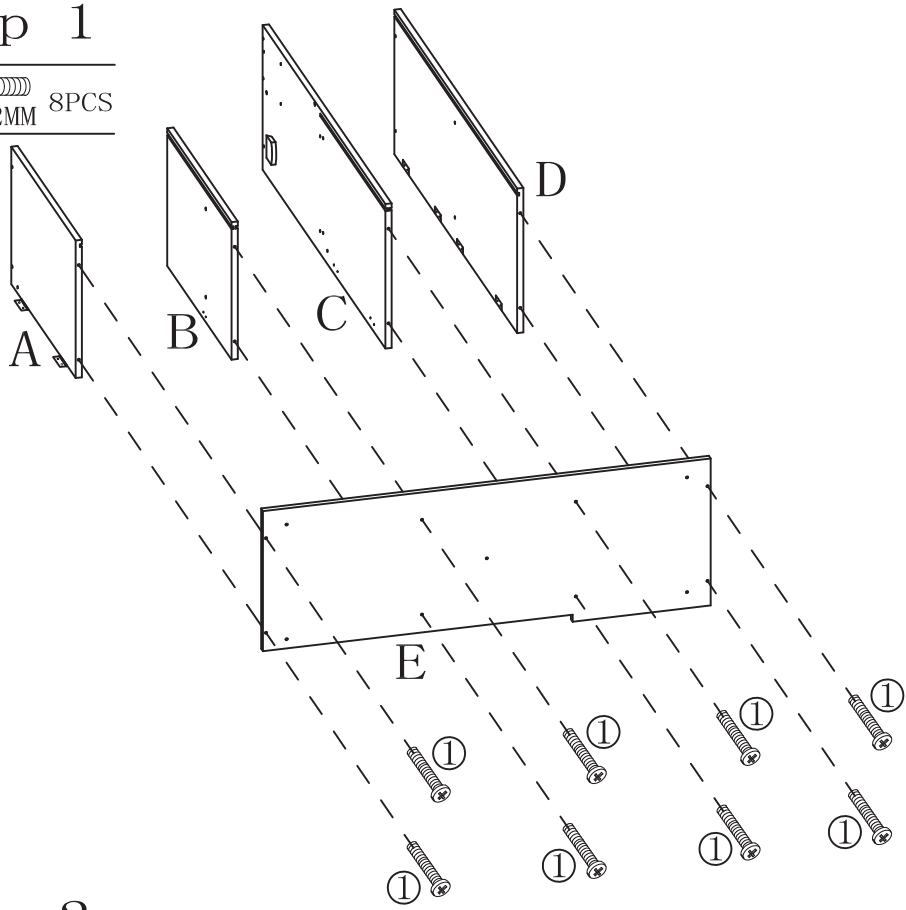


PRODUCT PARTS:

A	B	C	D	E	F
					
1PC	1PC	1PC	1PC	1PC	5PCS
G	H	I	J	K	L
					
1PC	1PC	1PC	2PCS	1PC	1PC
M	N	O	P	Q	R
					
1PC	1PC	1PC	1PC	1PC	1PC
S	T	U	V	W	X
					
5PCS	1PC	1PC	1PC	1PC	1PC
Y	Z	⑬	⑭	⑮	
					
1PC	1PC	1PC	1PC	1PC	

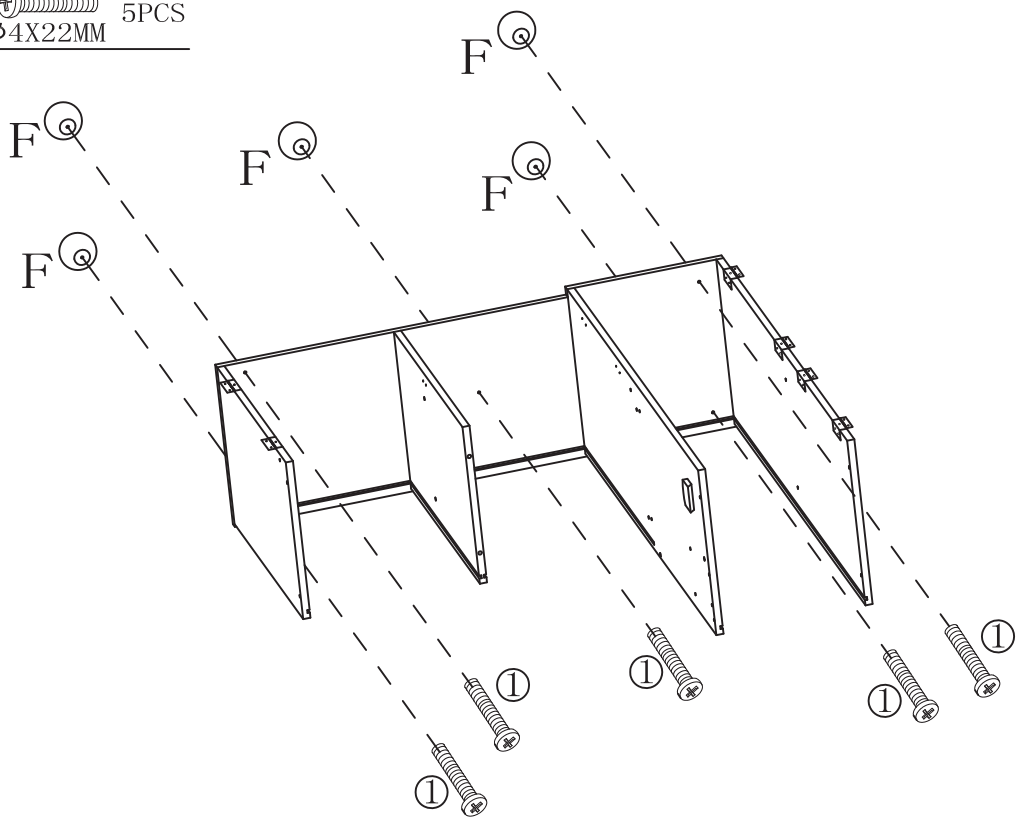
Step 1

①  8PCS
φ4X22MM



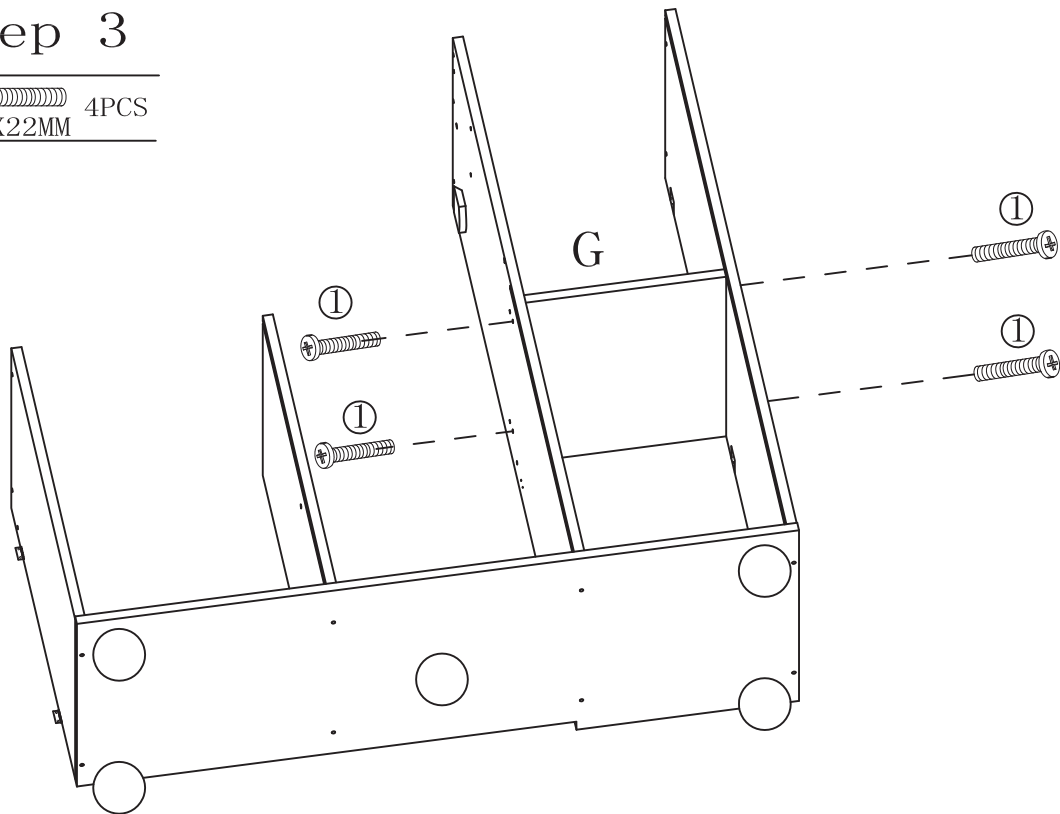
Step 2

①  5PCS
φ4X22MM

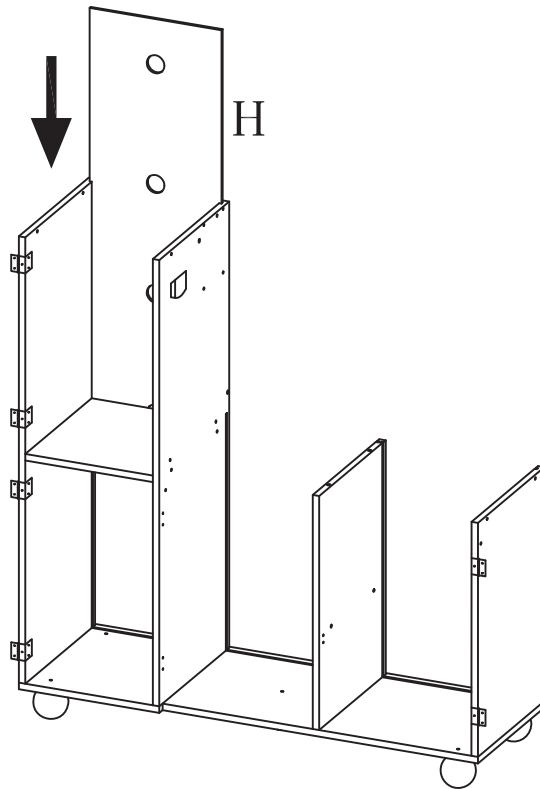


Step 3

①  4PCS
Ø4X22MM

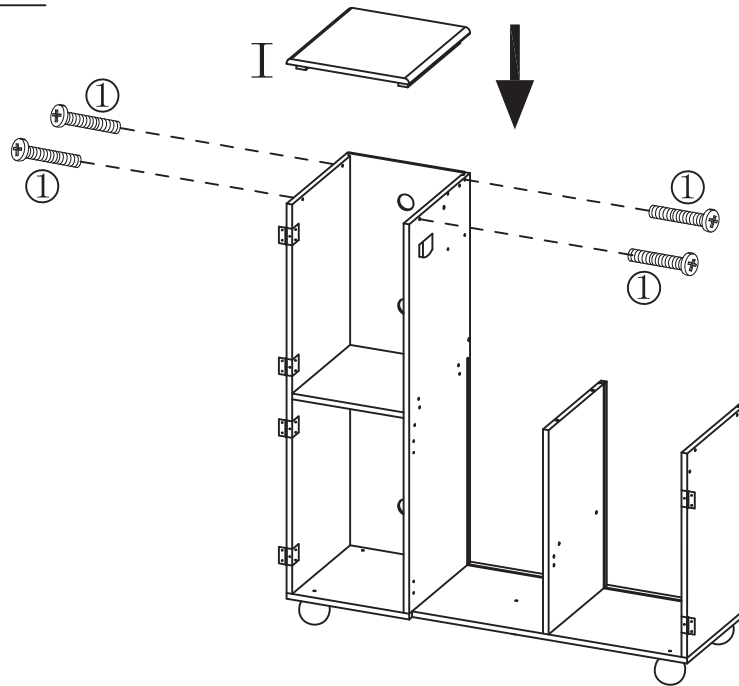


Step 4

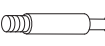


Step 5

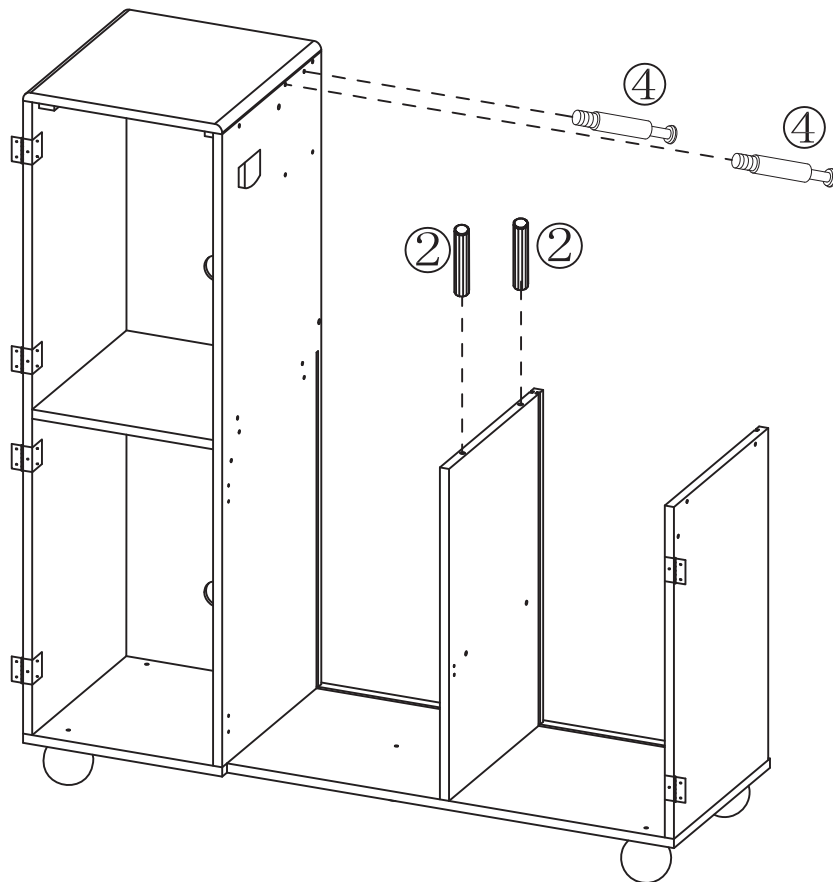
①  4PCS
φ4X22MM



Step 6

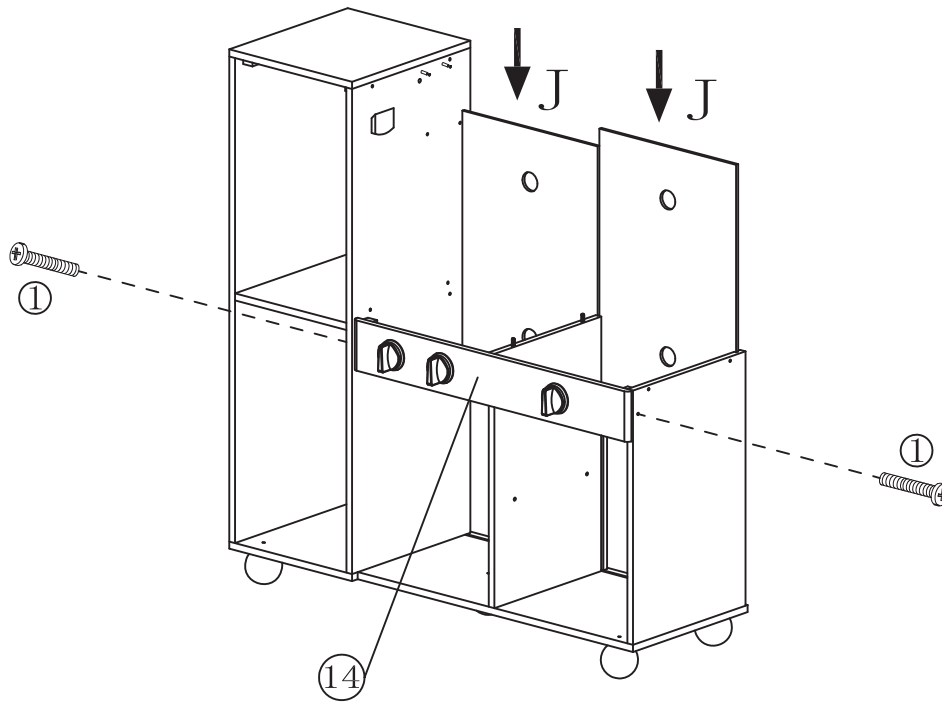
④  2PCS

②  2PCS
φ5X30MM



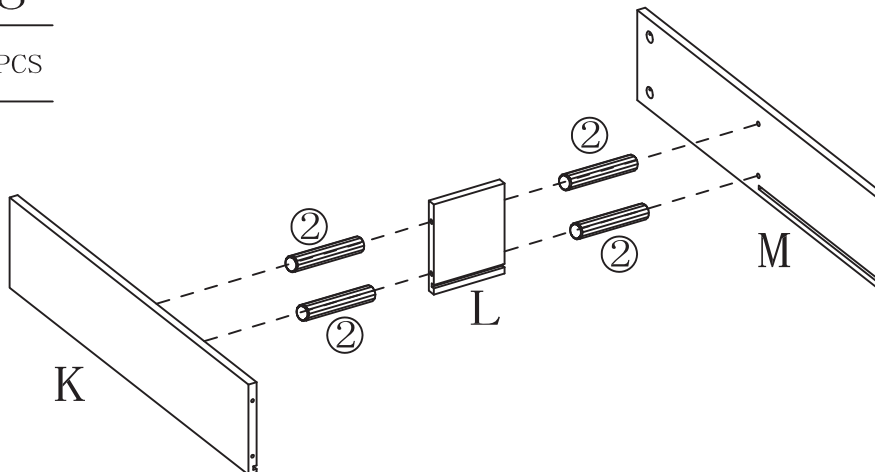
Step 7

①  2PCS
φ4X22MM

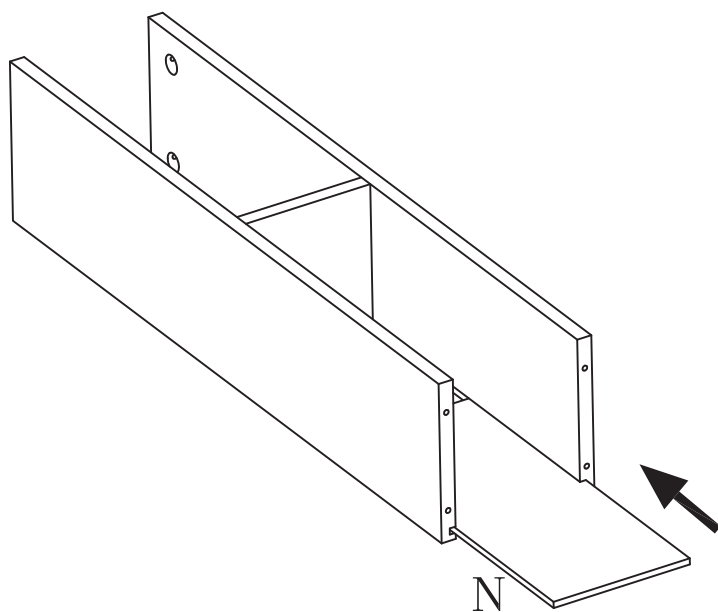


Step 8

②  4PCS
φ5X30MM

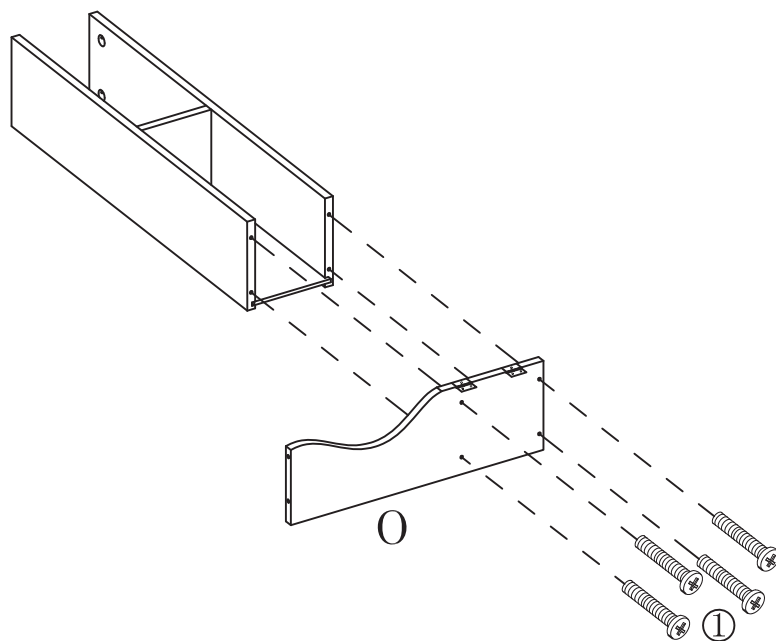


Step 9



Step 10

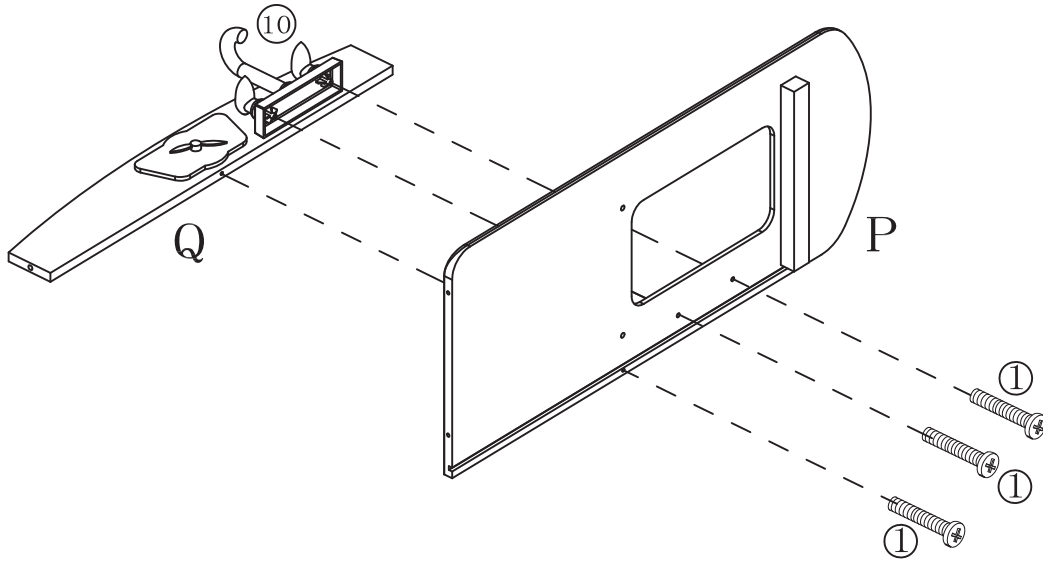
①  4PCS
φ4X22MM



Step 11

①  3PCS
φ4X22MM

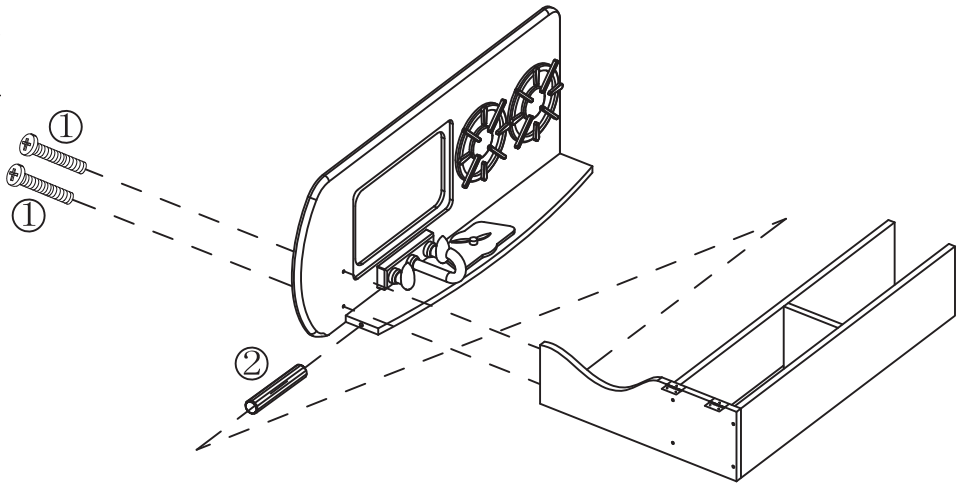
⑩  1PC





Step 12

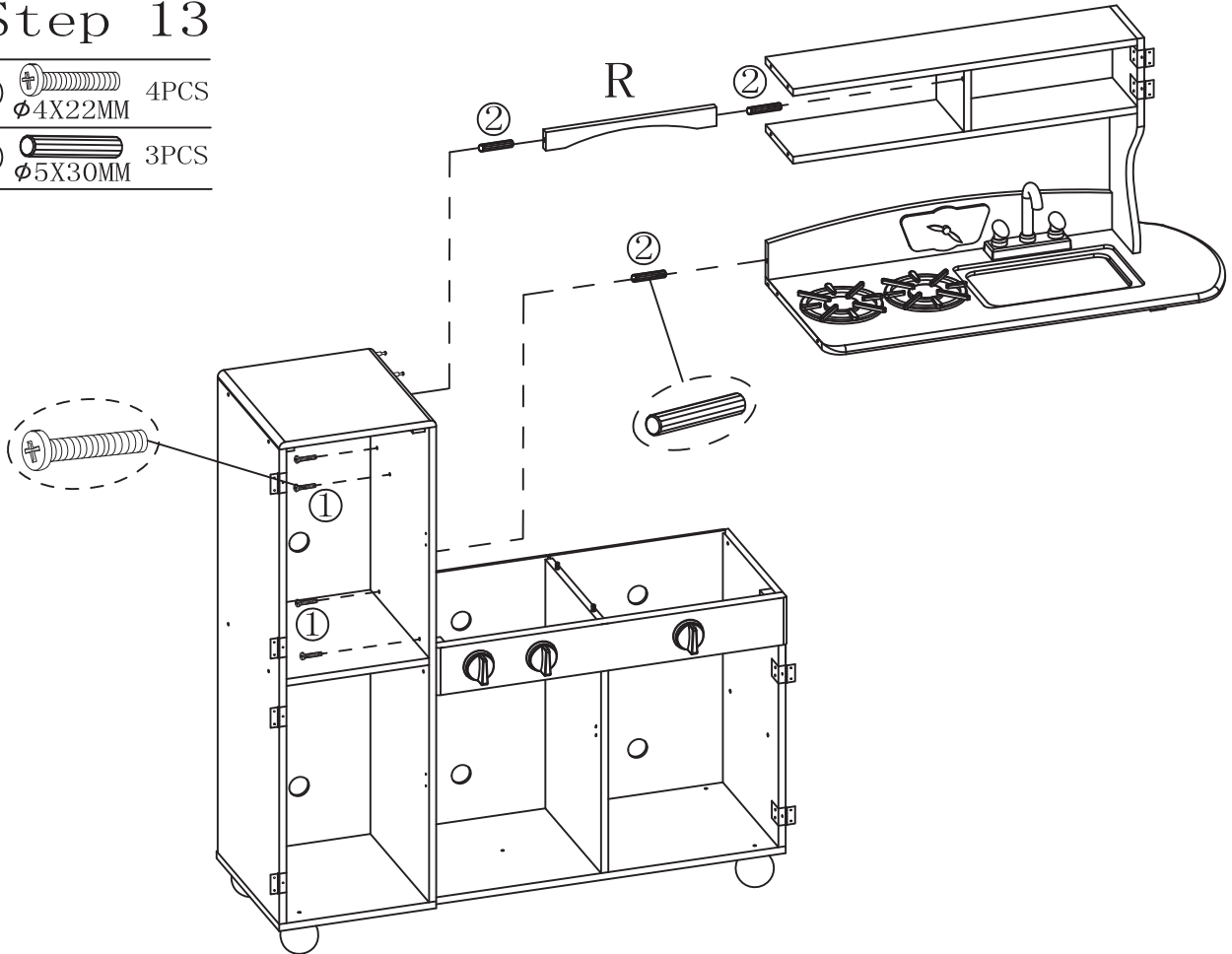
①  2PCS
φ4X22MM

②  1PC
φ5X30MM



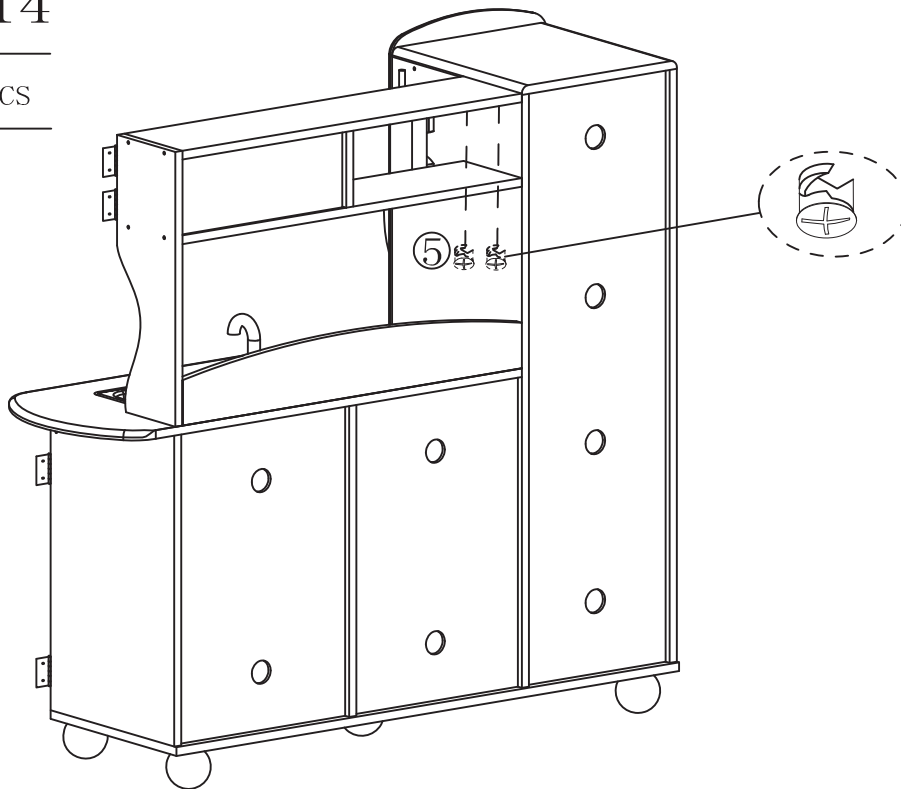
Step 13

- ①  4PCS
Ø4X22MM
- ②  3PCS
Ø5X30MM





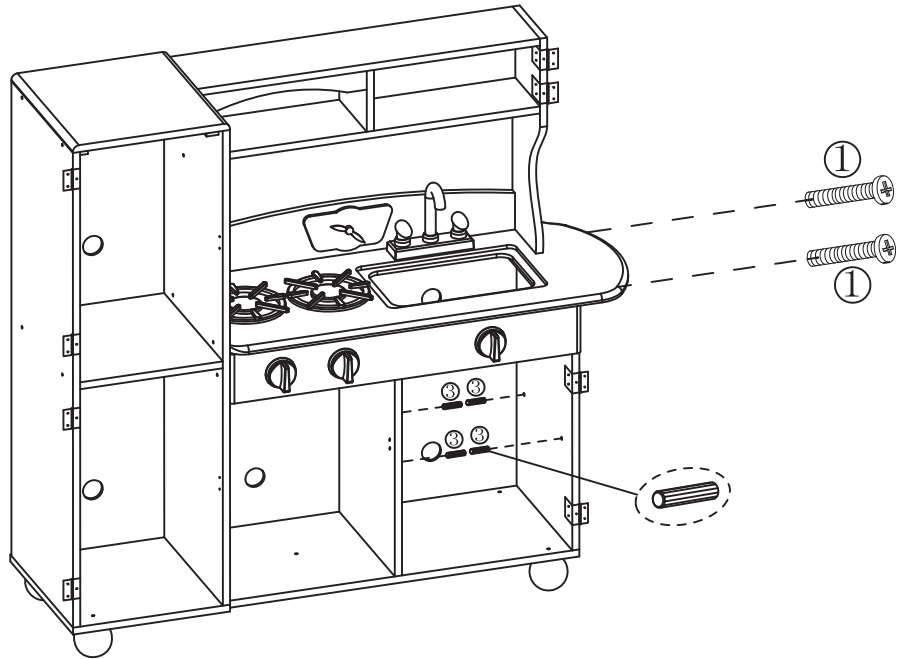
Step 14

- ⑤  2PCS

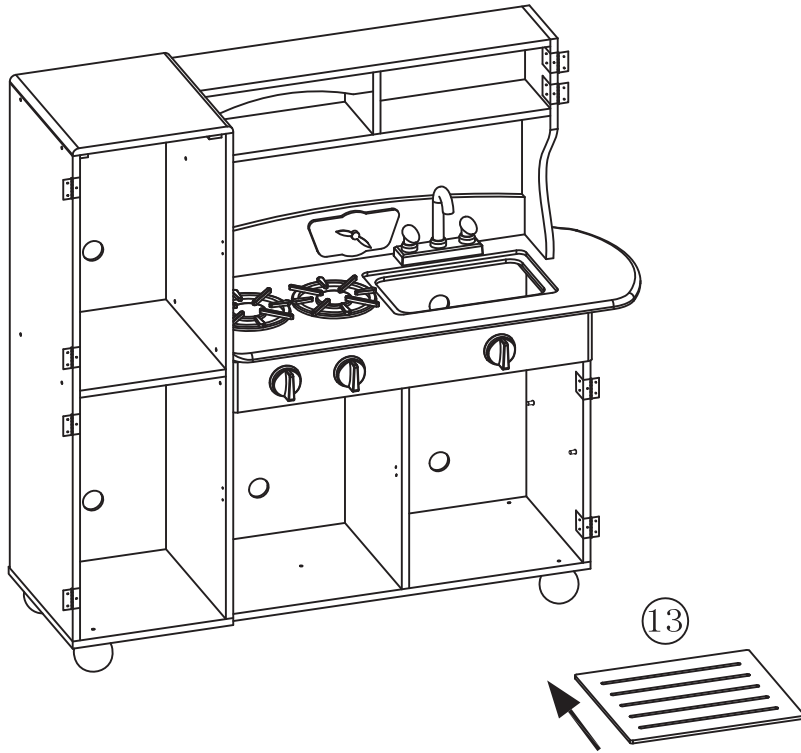


Step 15

- ①  2PCS
φ4X22MM
- ③  4PCS
φ5X25MM

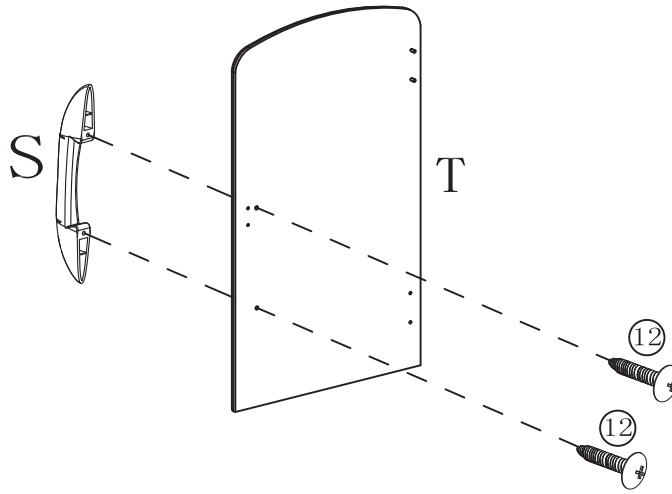


Step 16



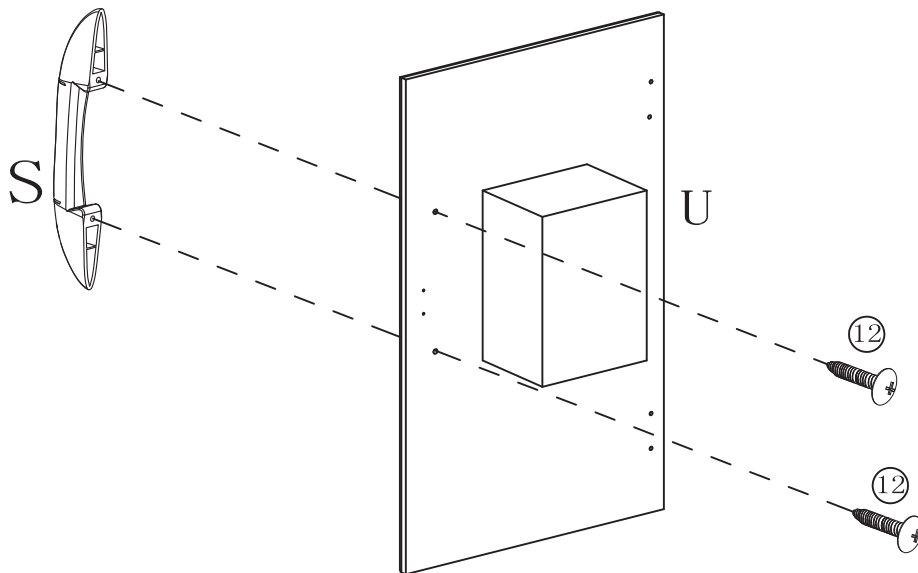
Step 17

⑫  2PCS
Ø5X18MM



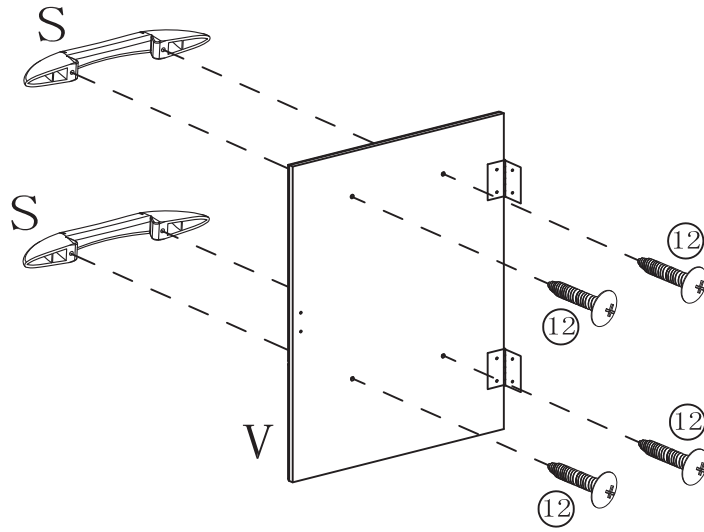
Step 18

⑫  2PCS
Ø5X18MM



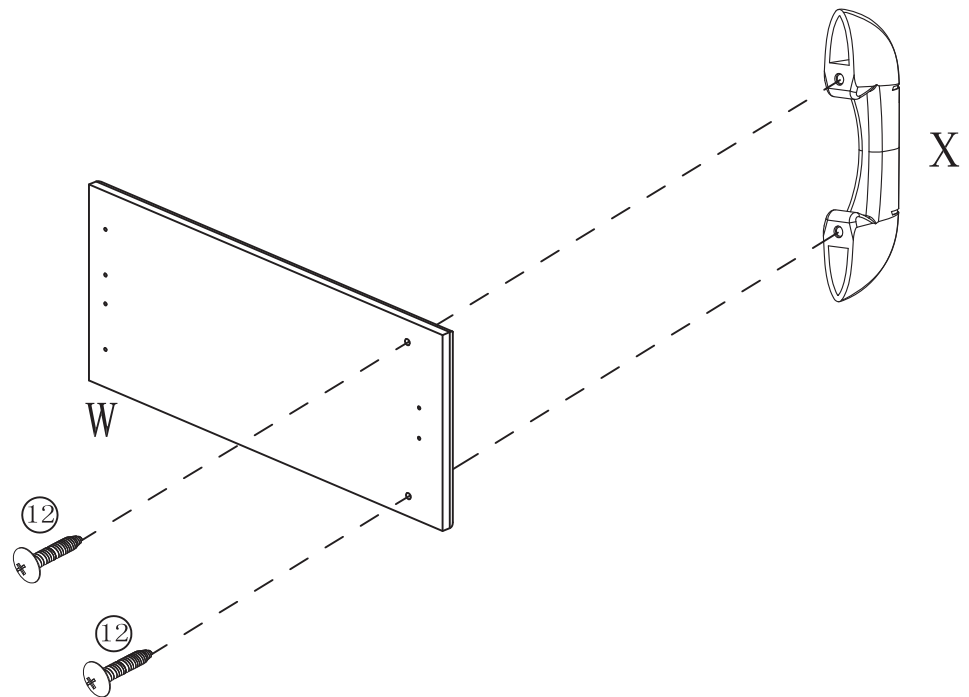
Step 19

⑫  4PCS
φ5X18MM



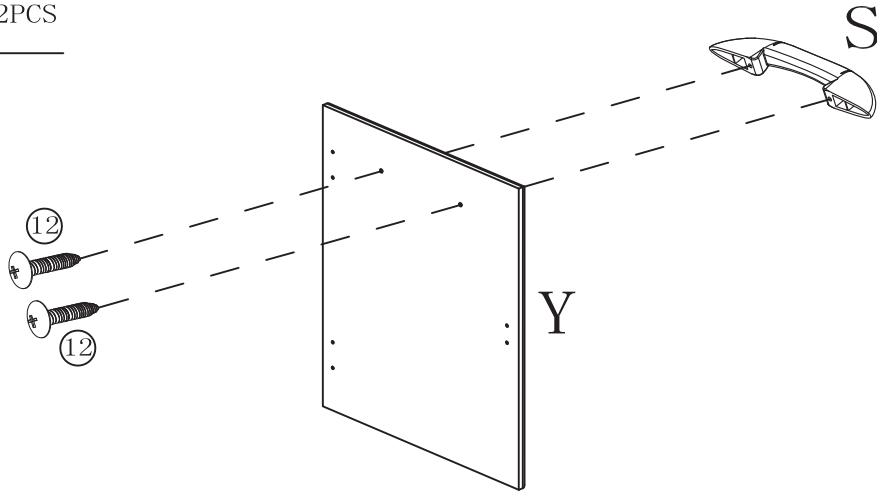
Step 20

⑫  2PCS
φ5X18MM



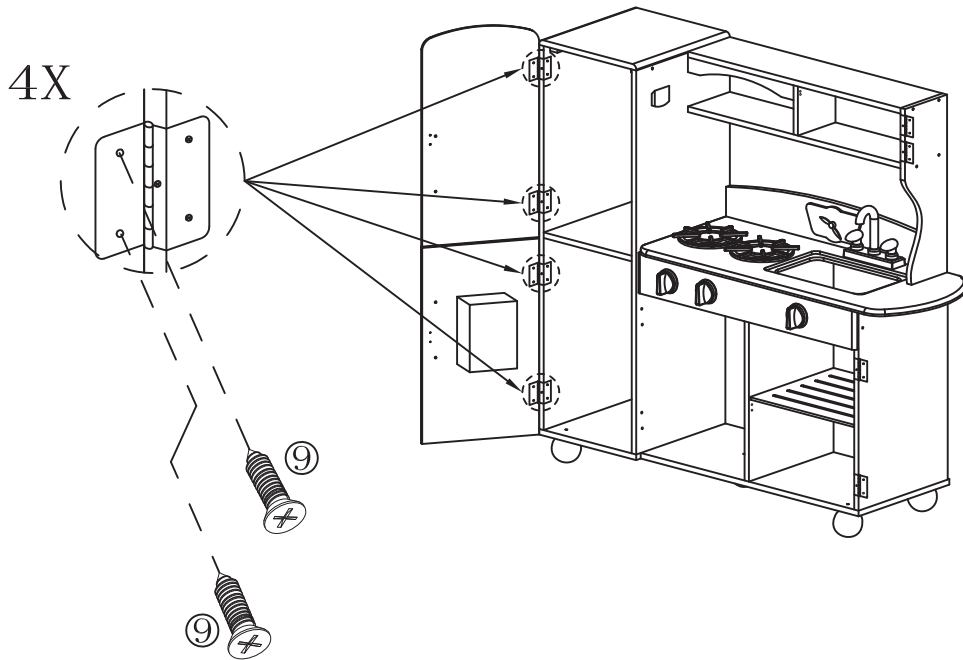
Step 21

⑫  2PCS
φ5X18MM



Step 22

⑨  8PCS
φ2.5X8MM

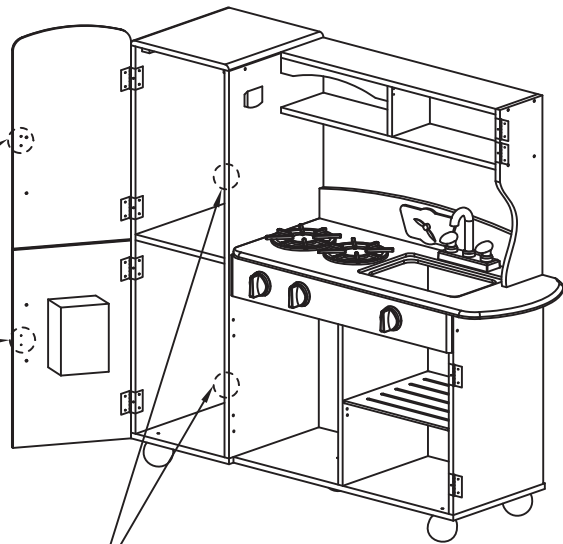
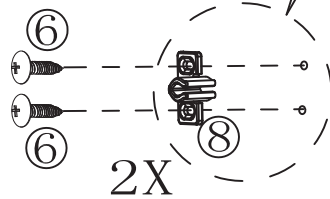
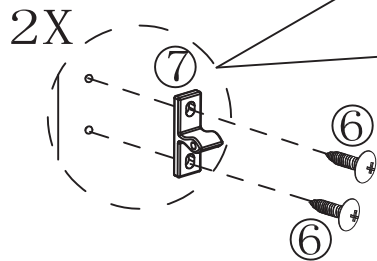


Step 23

⑥  8PCS
φ3X8MM

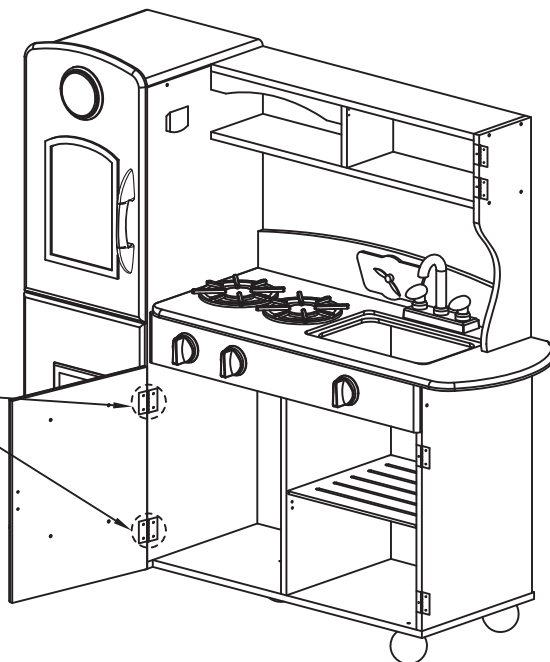
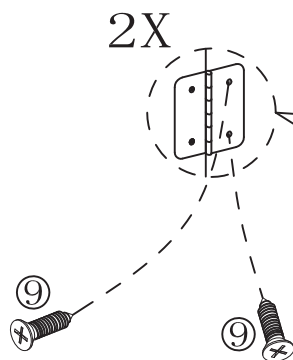
⑦  2PCS

⑧  2PCS



Step 24

⑨  4PCS
φ2.5X8MM

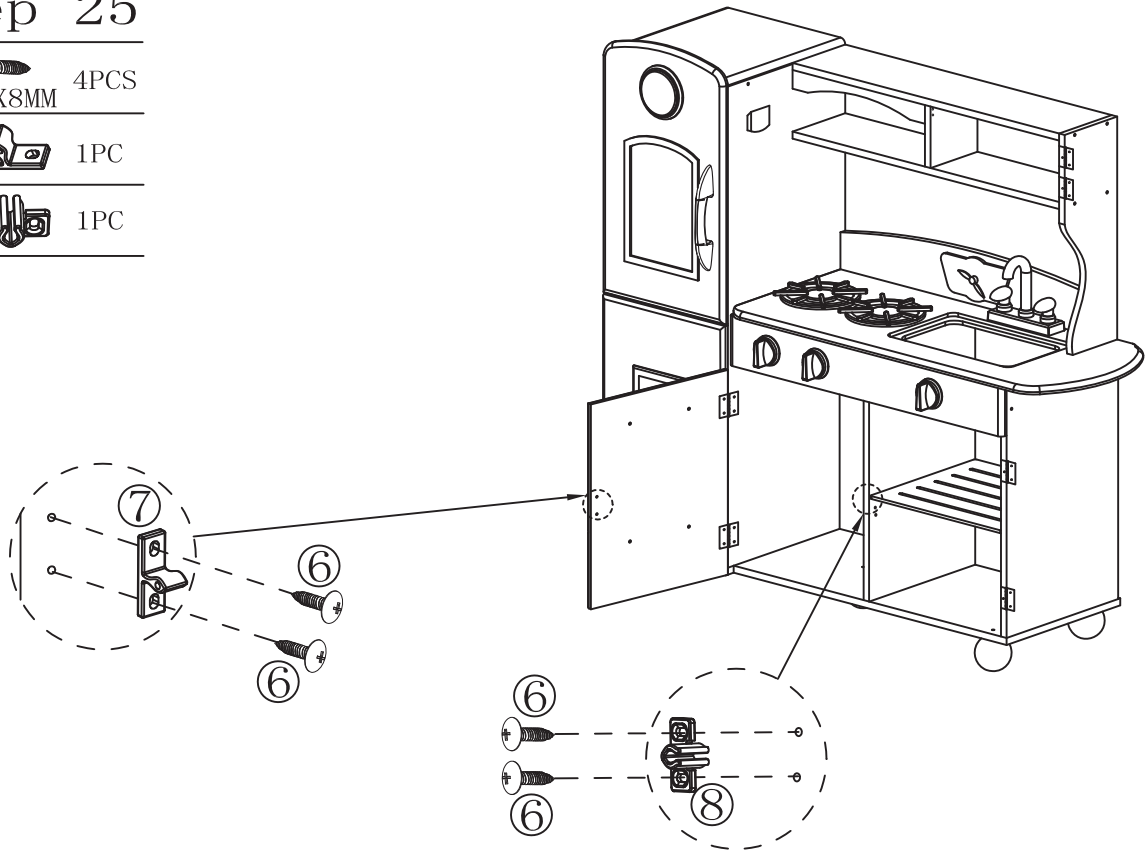


Step 25

⑥  4PCS
ø3X8MM

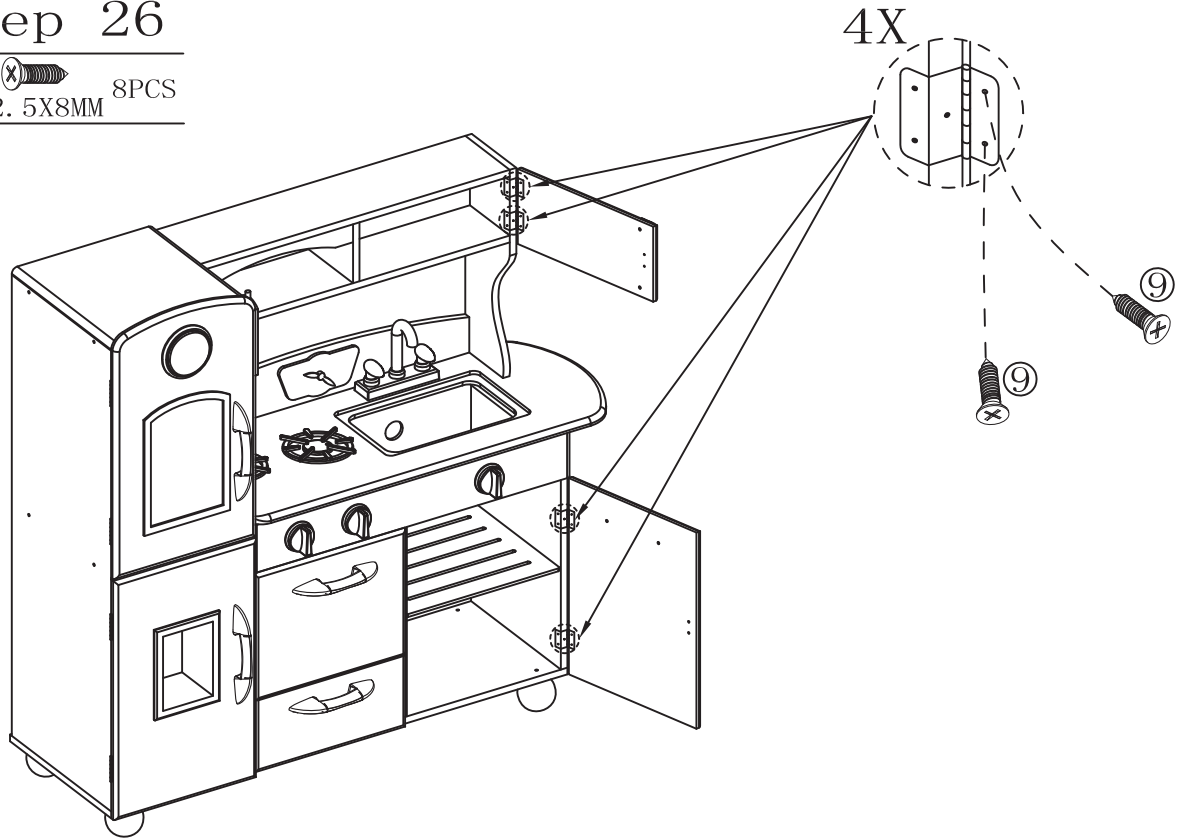
⑦  1PC

⑧  1PC



Step 26

⑨  8PCS
ø2.5X8MM

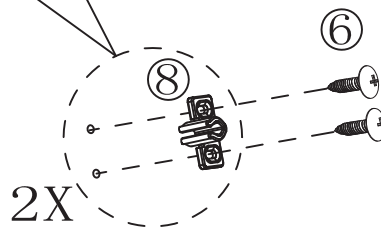
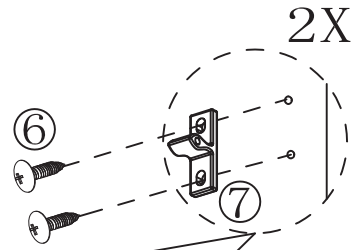
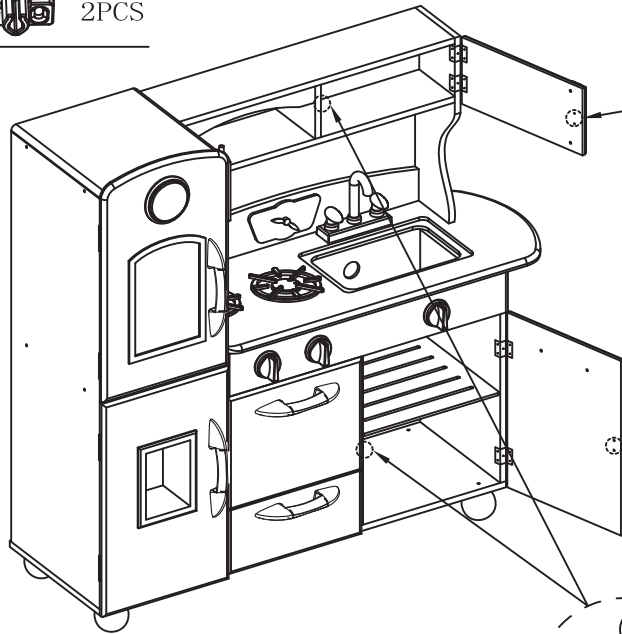


Step 27

⑥  8PCS
φ3X8MM

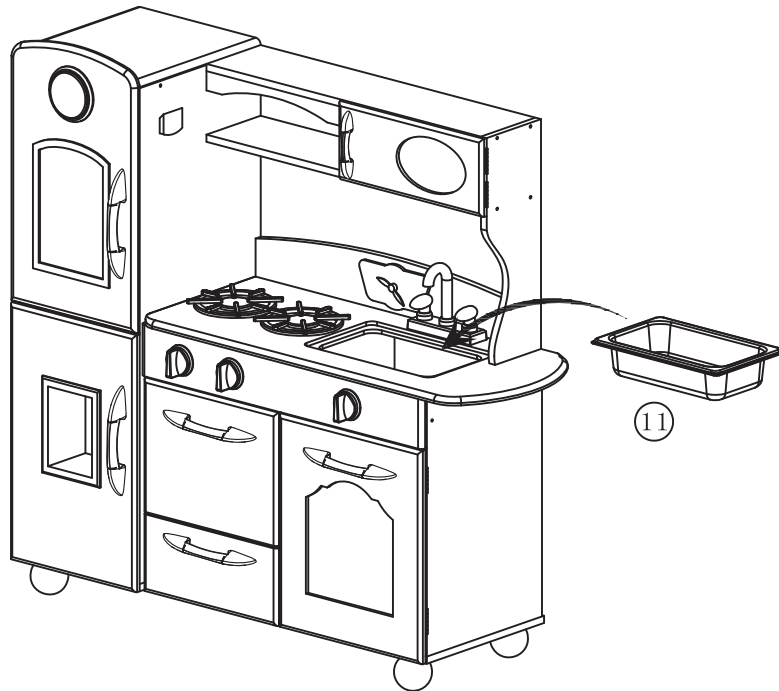
⑦  2PCS

⑧  2PCS

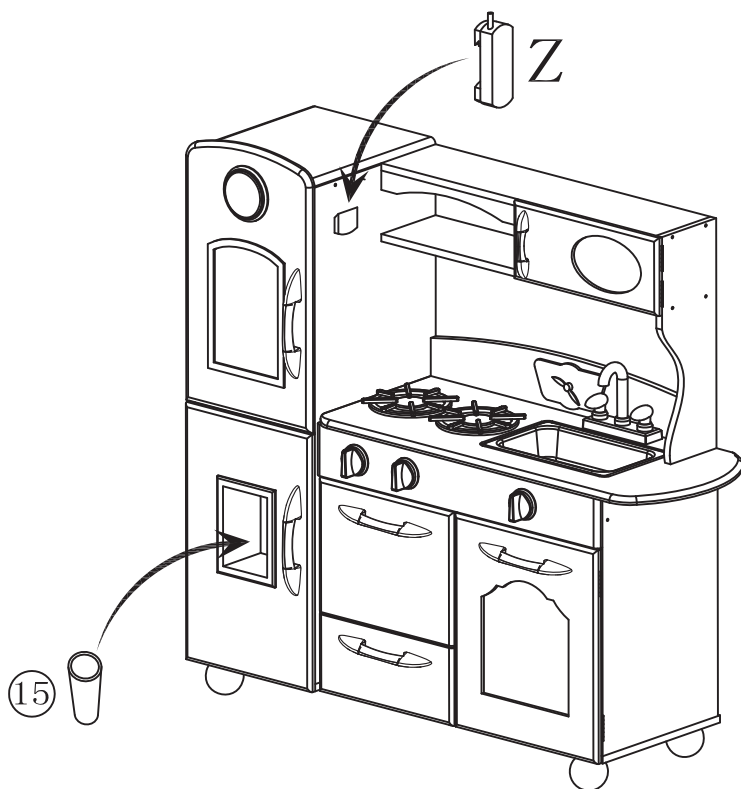


Step 28

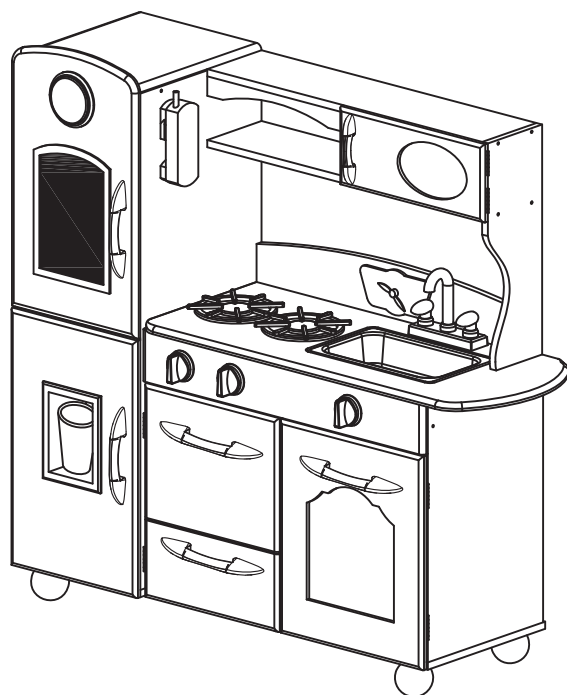
⑪  1PC



Step 29



Step 30



MADE IN CHINA