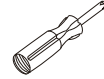


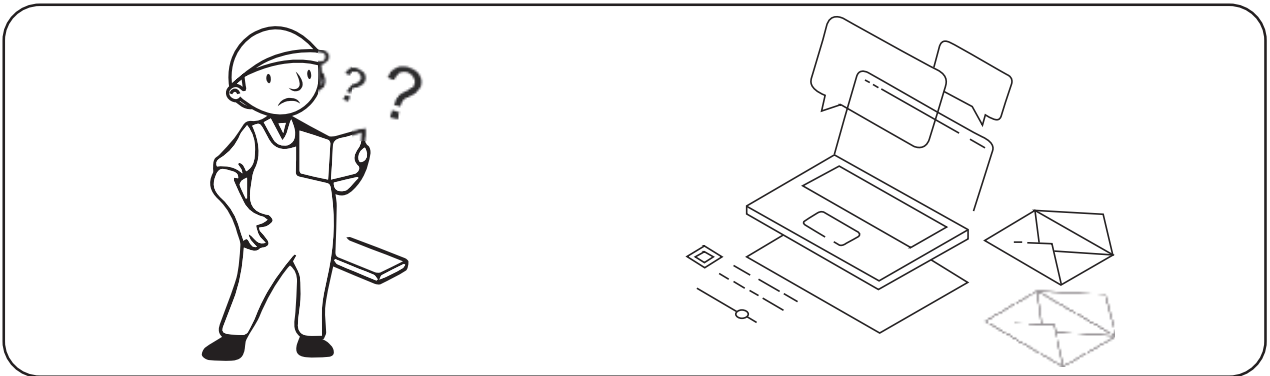
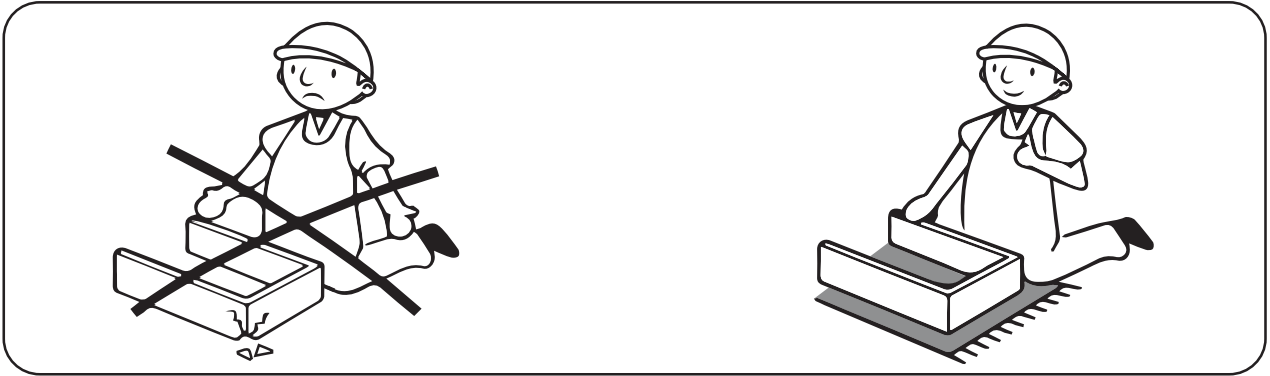
INSTALLATION MANUAL



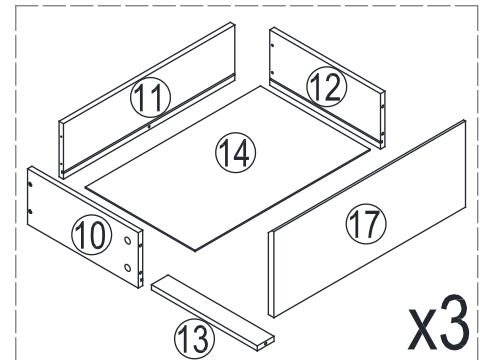
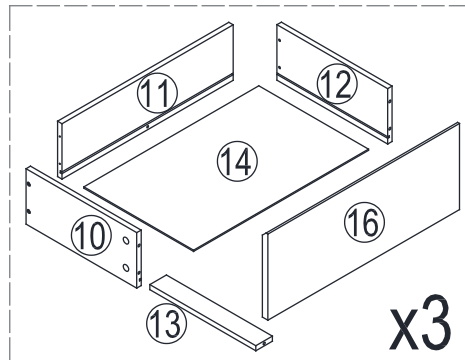
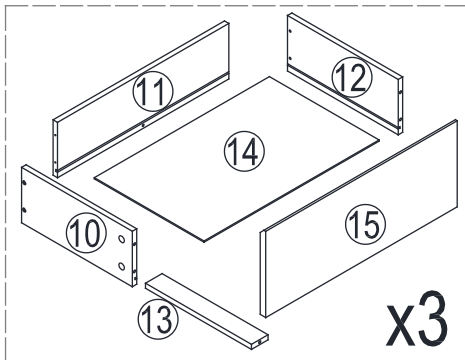
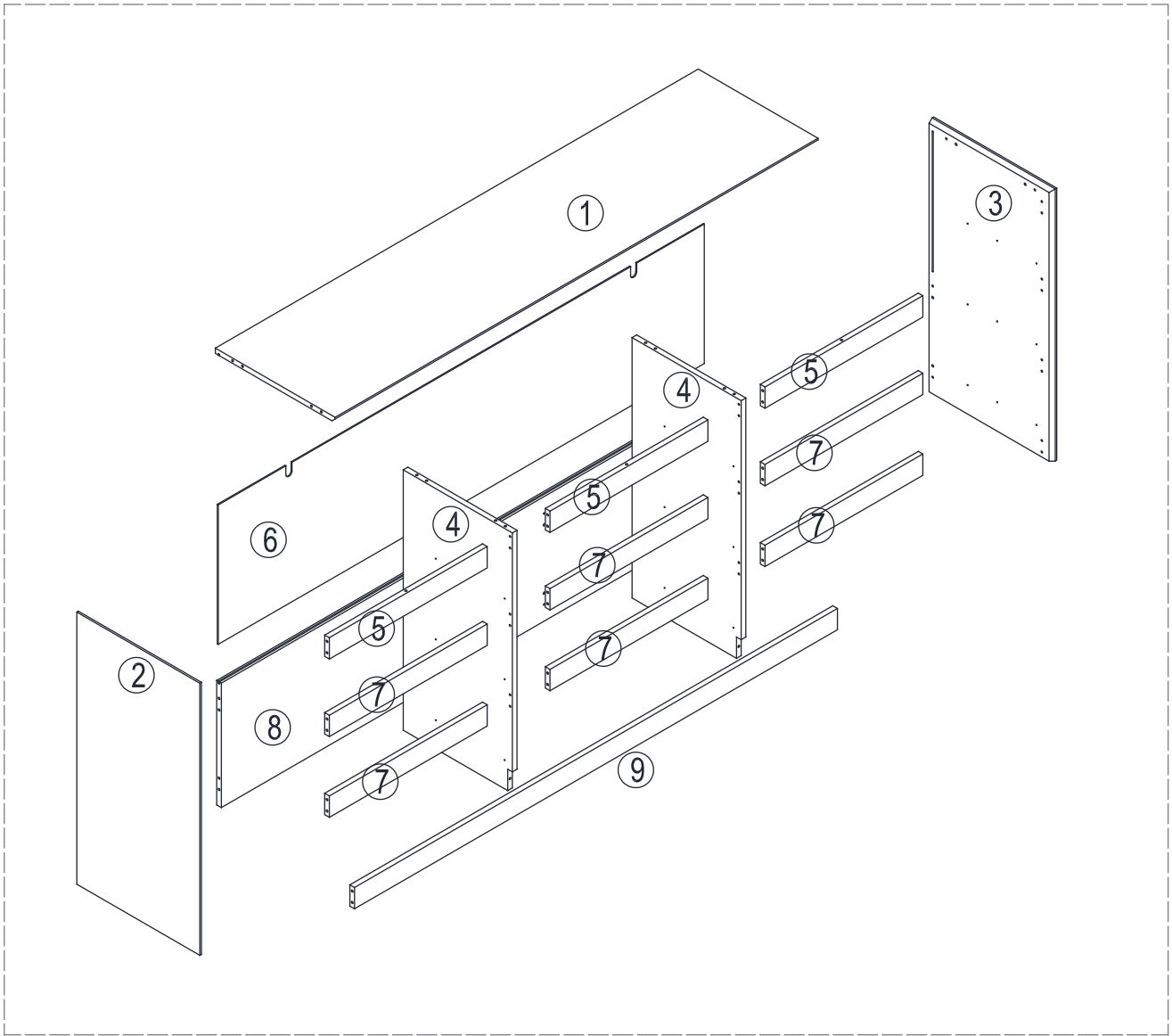
* Guests need to prepare their own :

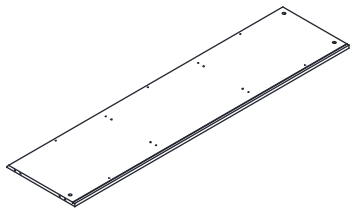


Phillips screwdriver

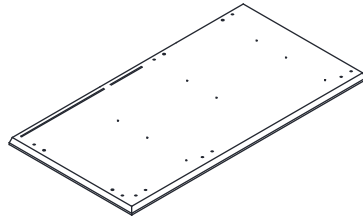


PARTS

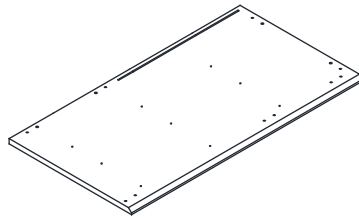




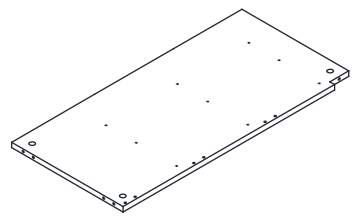
① x 1PCS



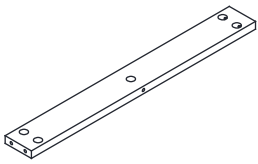
② x 1PCS



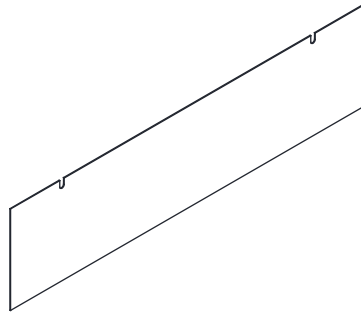
③ x 1PCS



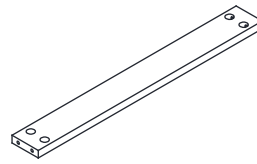
④ x 2PCS



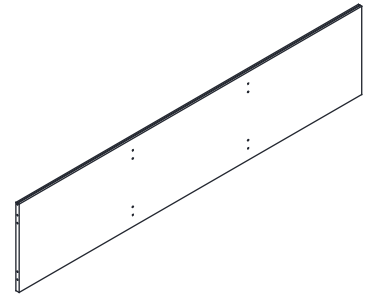
⑤ x 3PCS



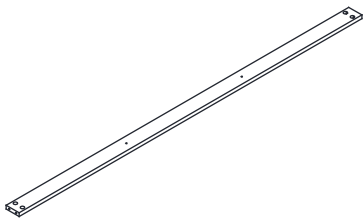
⑥ x 1PCS



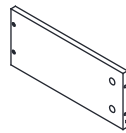
⑦ x 6PCS



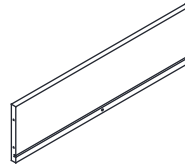
⑧ x 1PCS



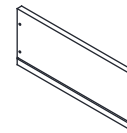
⑨ x 1PCS



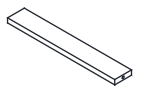
⑩ x 9PCS



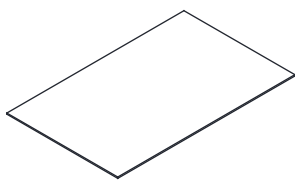
⑪ x 9PCS



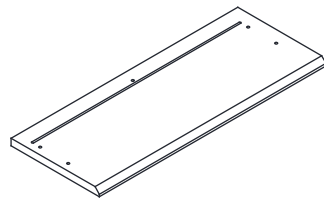
⑫ x 9PCS



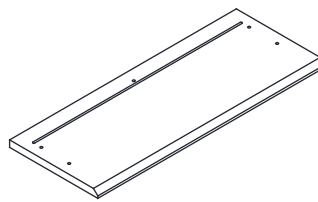
⑬ x 9PCS



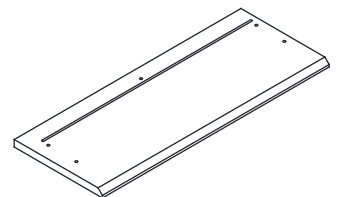
⑭ x 9PCS



⑮ x 3PCS



⑯ x 3PCS



⑰ x 3PCS



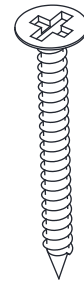
M6 x 35

A x 102 (+6)



Ø6 x 30

B x 16 (+2)



M4 x 35

C x 51 (+6)



M3.5 x 12

D x 108 (+8)



M3 x 14

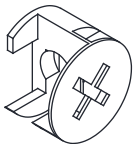
E x 4 (+1)



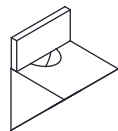
M4 x 12

F x 2 (+1)

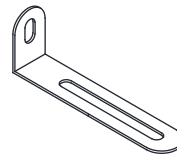
Scale 1 : 1



G x 102 (+6)



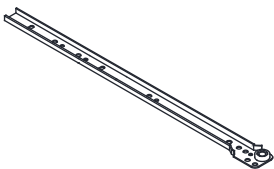
H x 4 (+1)



I x 2

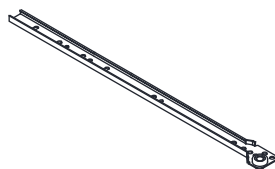


J x 2



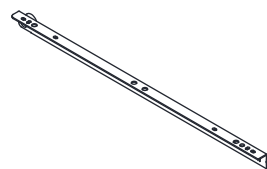
L = 300mm

CL x 9



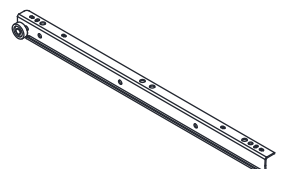
L = 300mm

CR x 9



L = 300mm




DL x 9



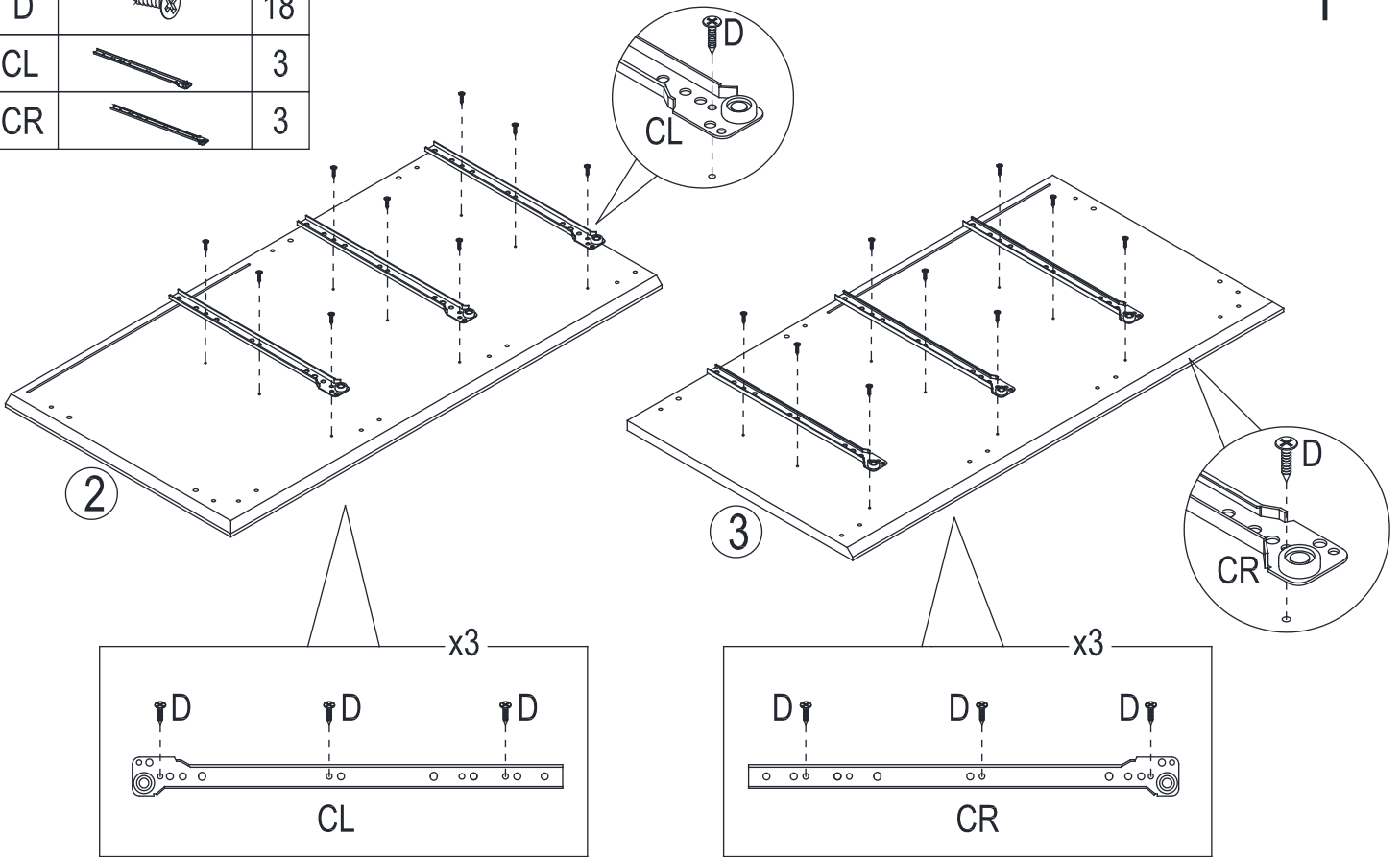
L = 300mm

DR x 9

Note: Some screws include extra pieces for your convenience. Please keep them in case of future use.

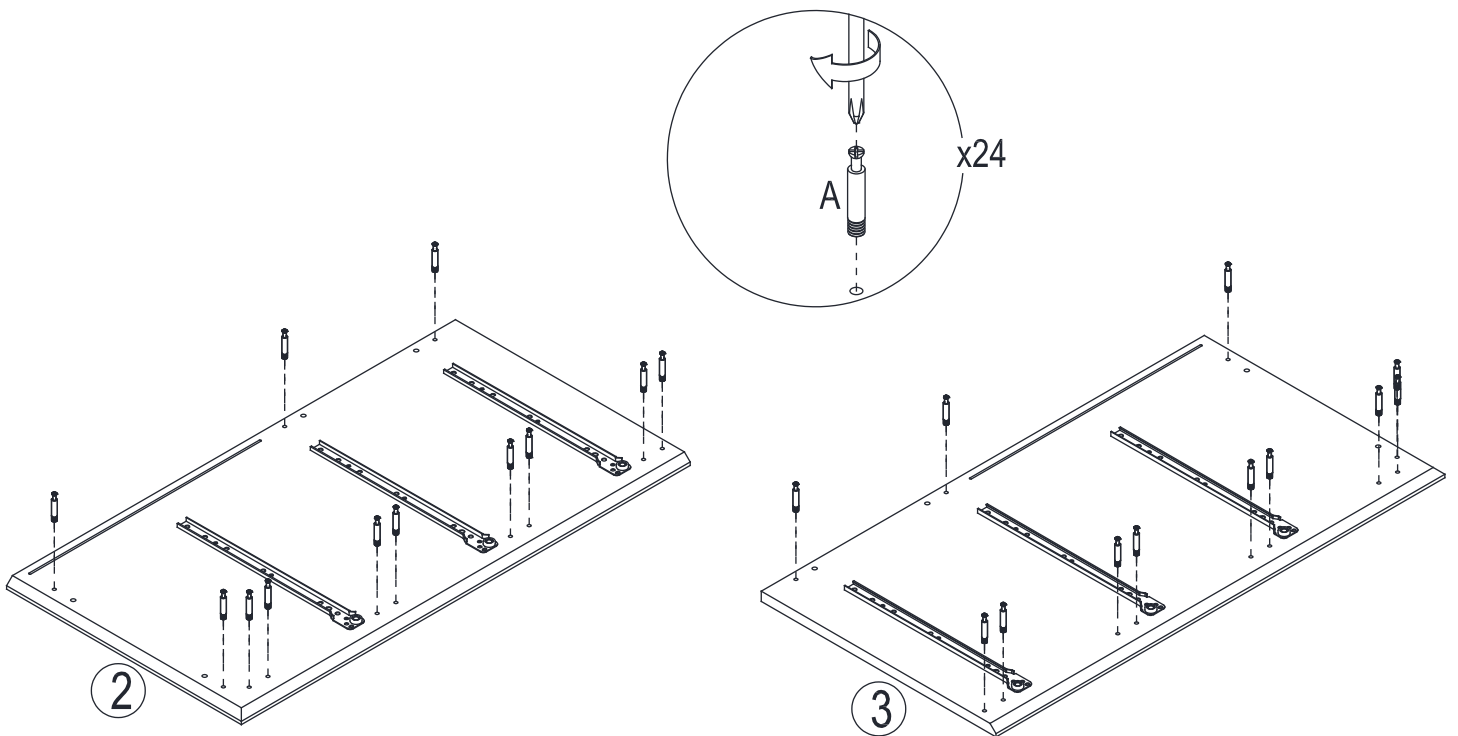
D		18
CL		3
CR		3




1



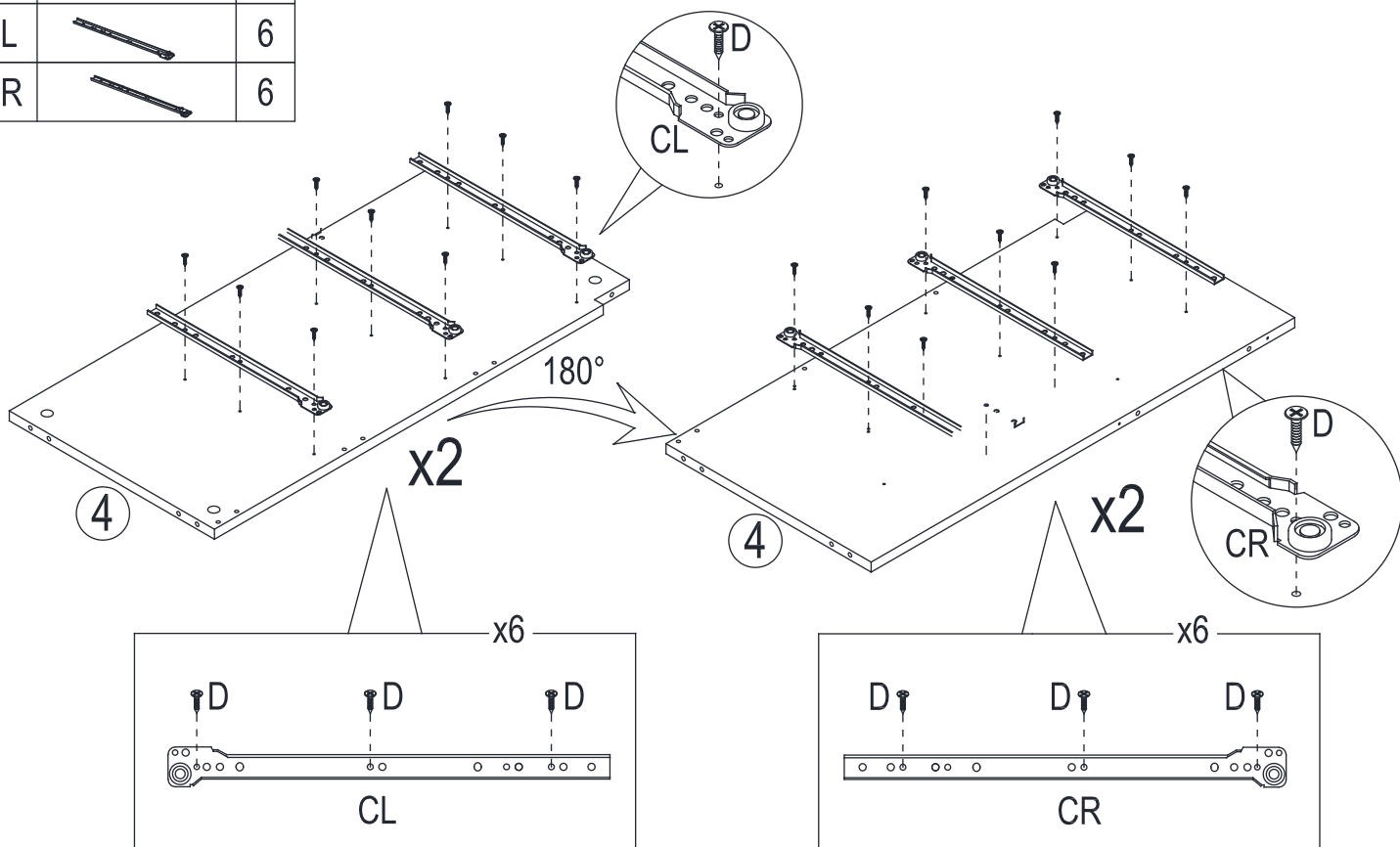
A		24
---	---	----

2



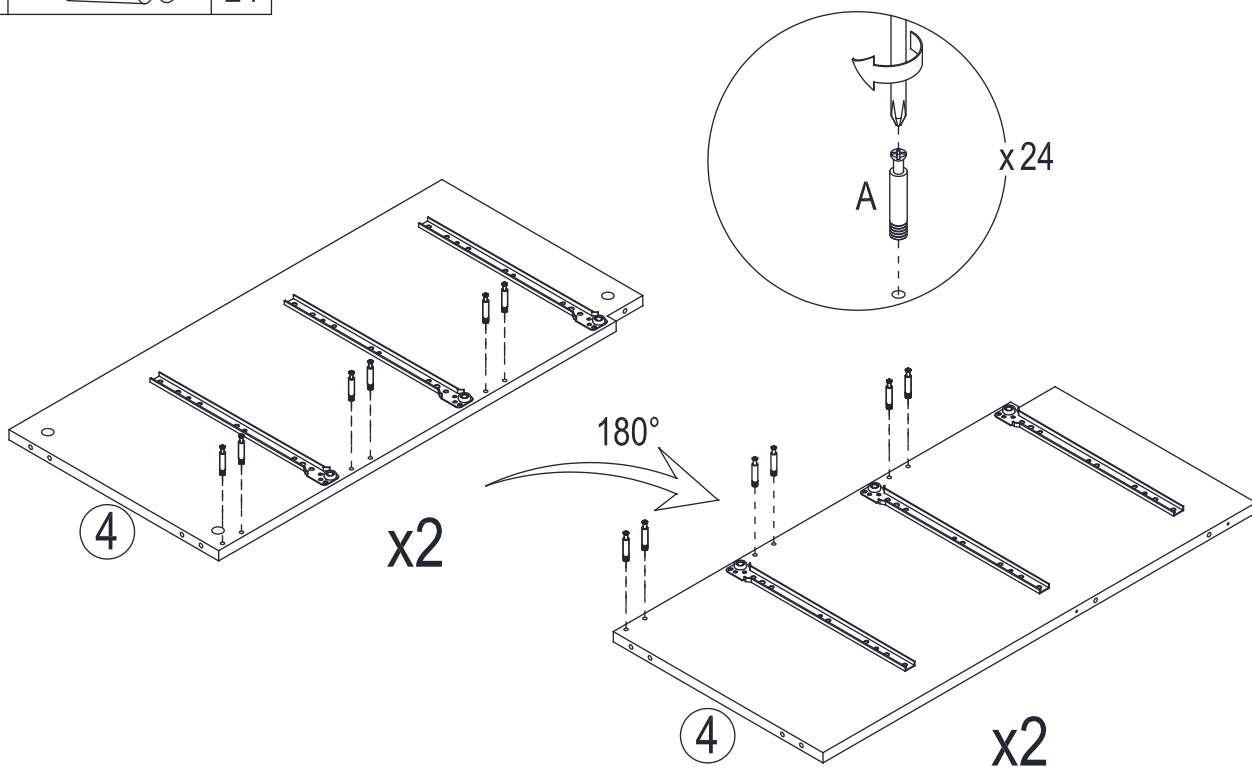
D		36
CL		6
CR		6

3



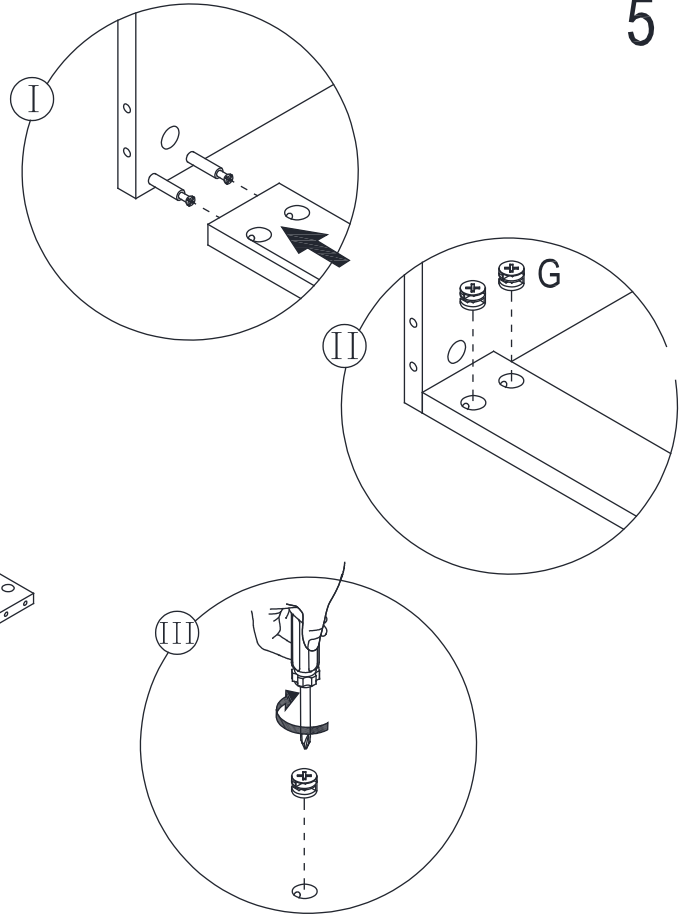
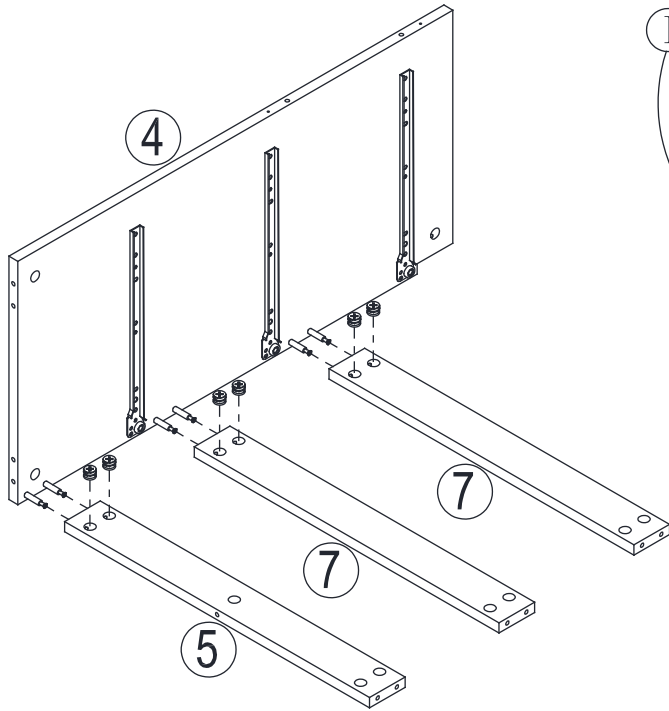
A		24
---	---	----

4



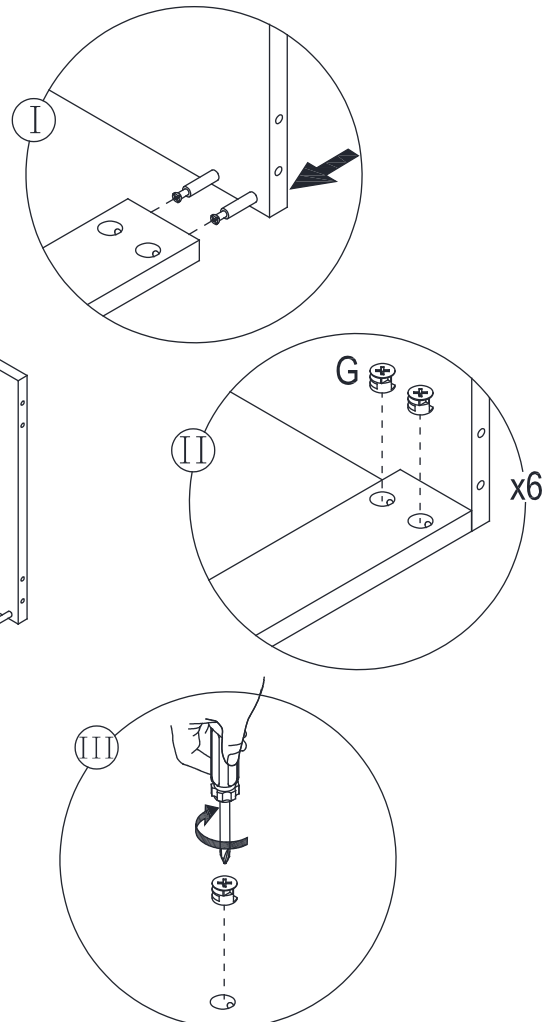
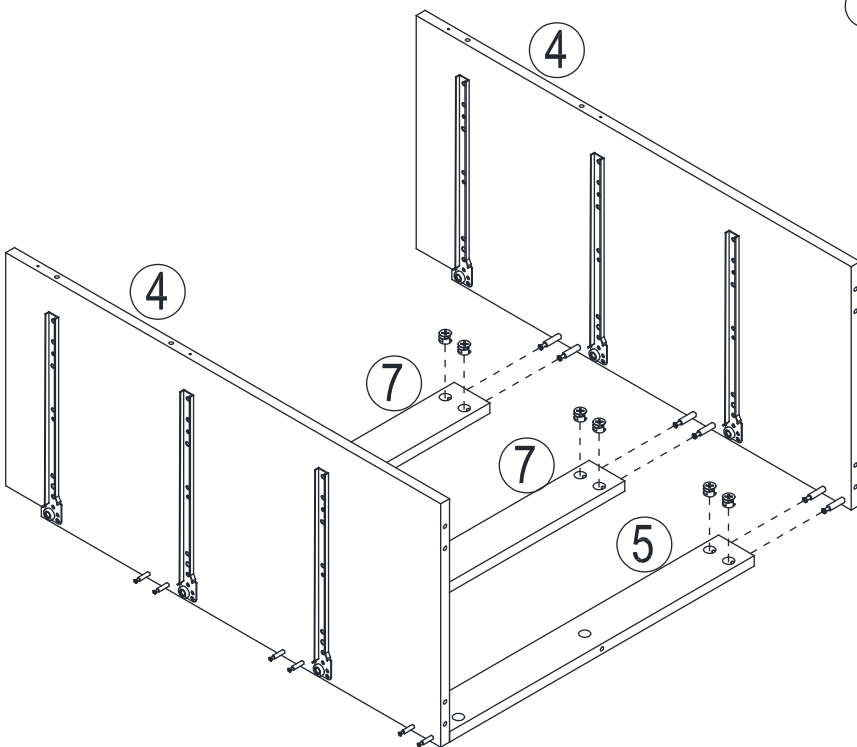
G		6
---	---	---

5



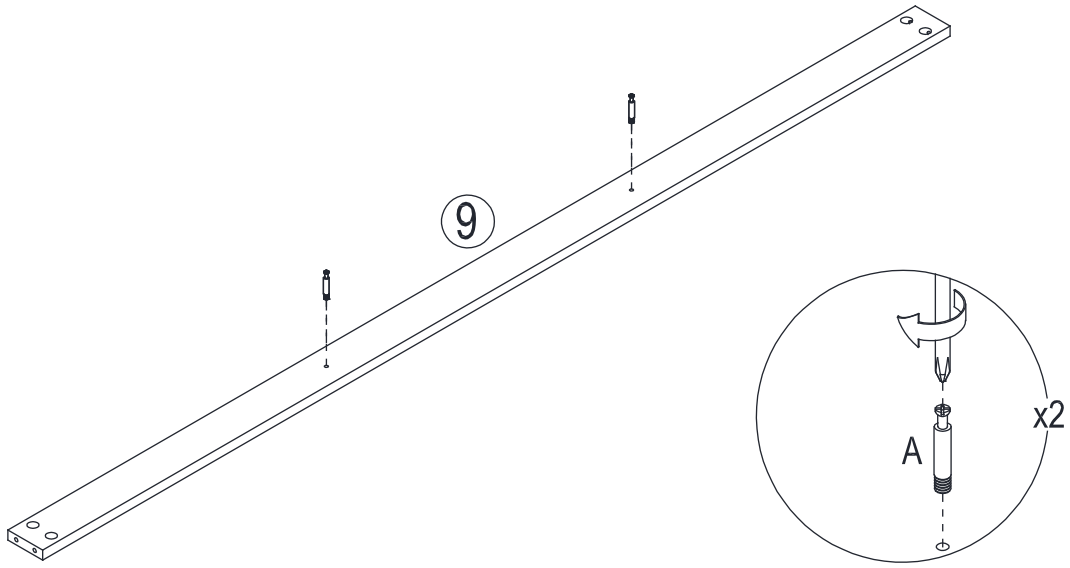
G		6
---	---	---

6



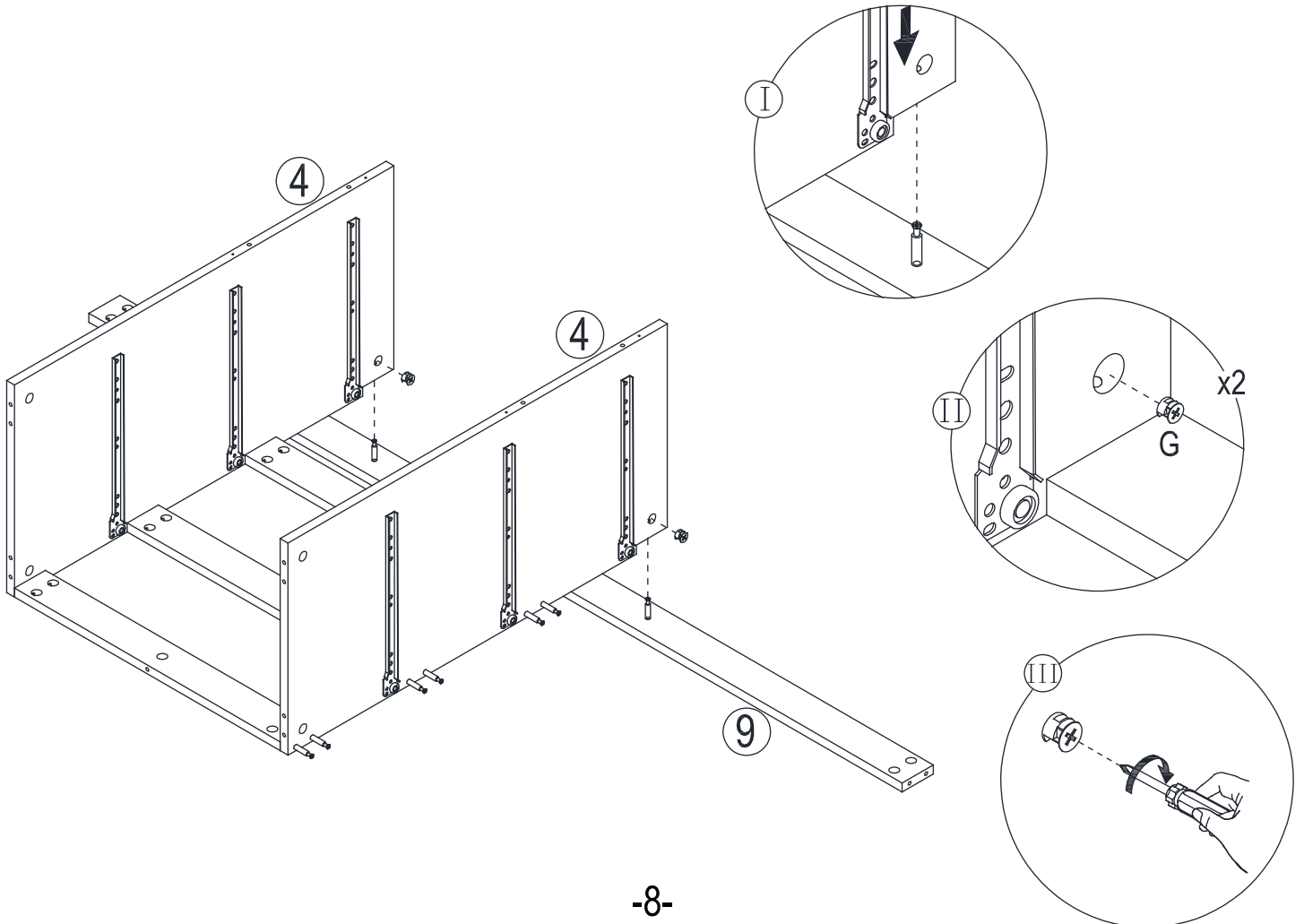
A		2
---	---	---

7



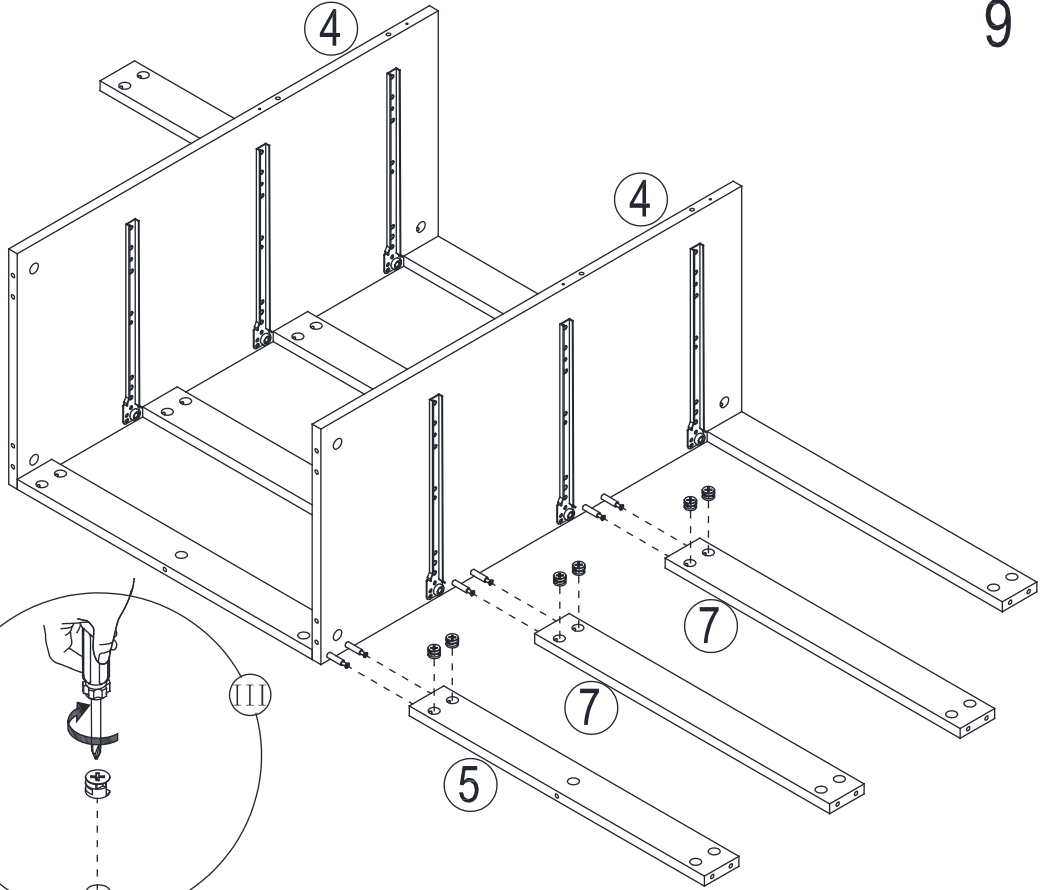
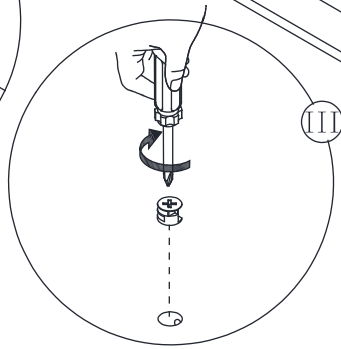
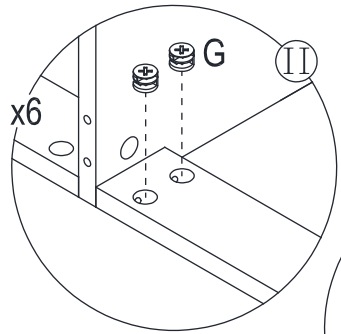
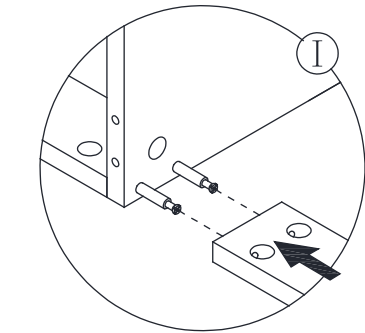
G		2
---	---	---

8



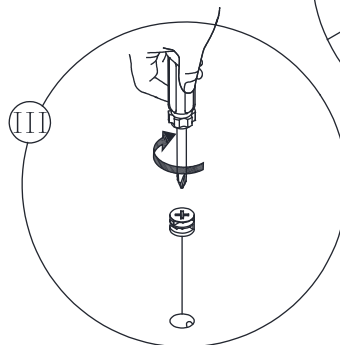
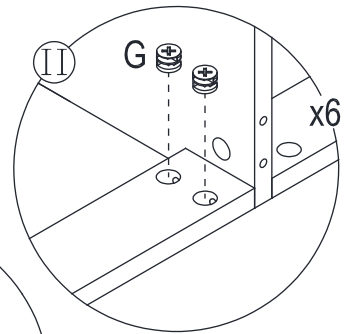
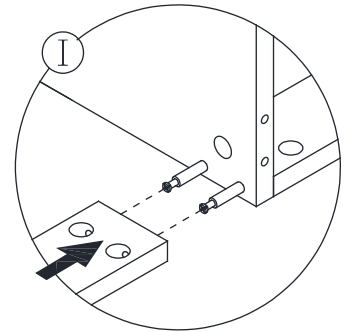
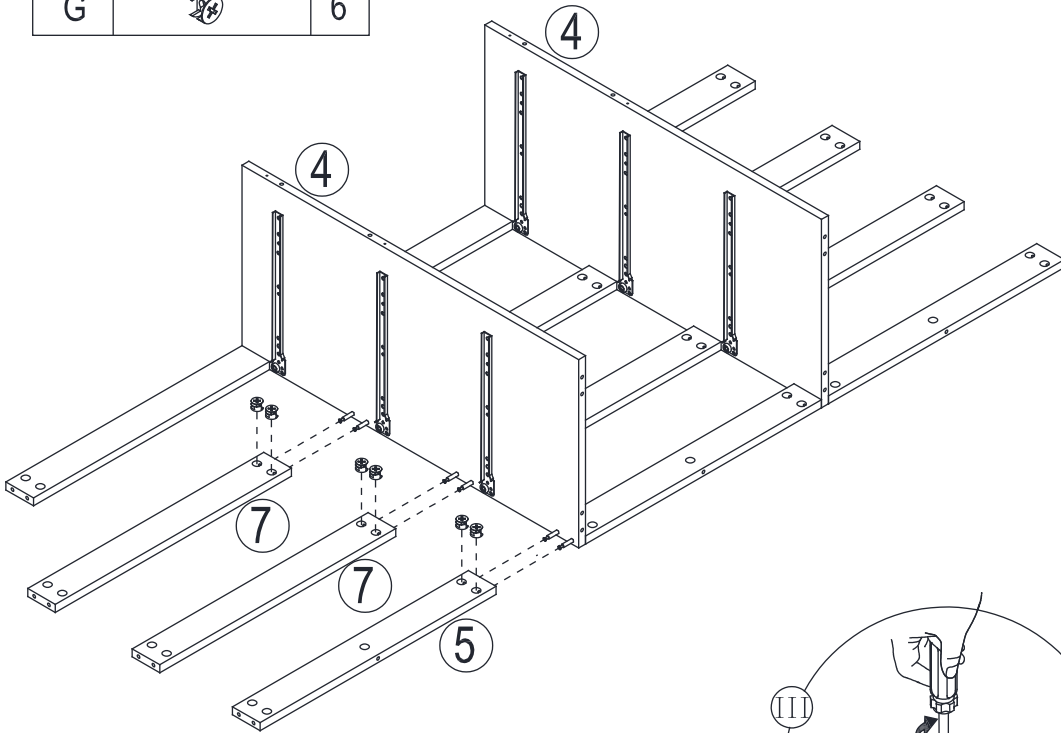
G  6



9

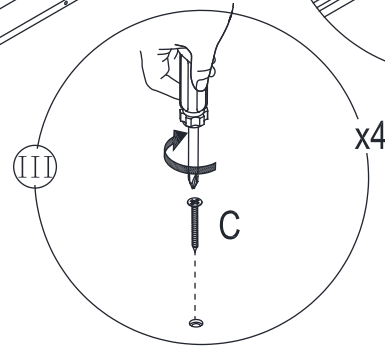
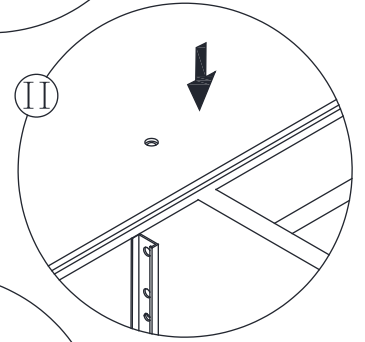
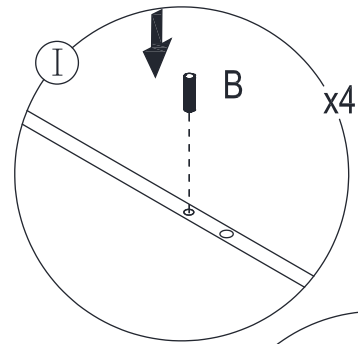
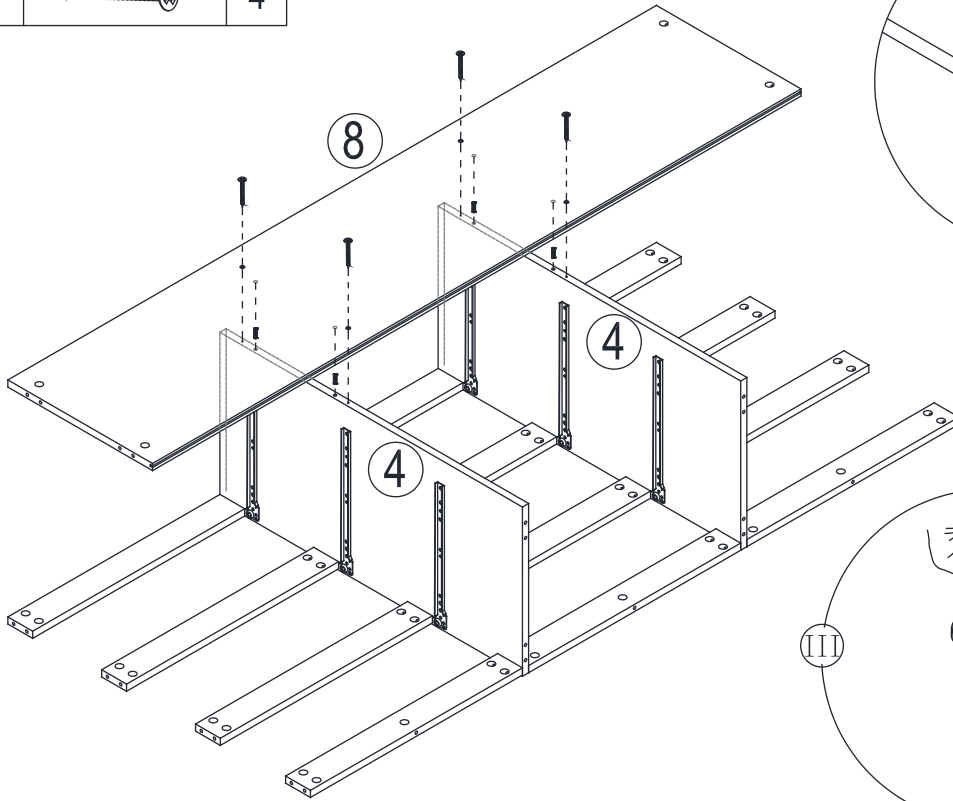


G  6




10



B		4
C		4

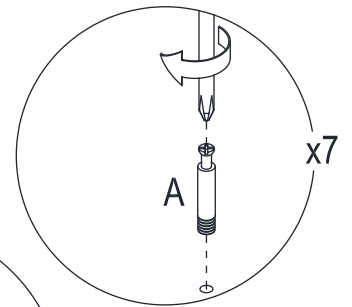
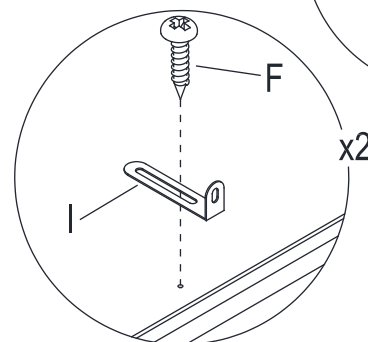
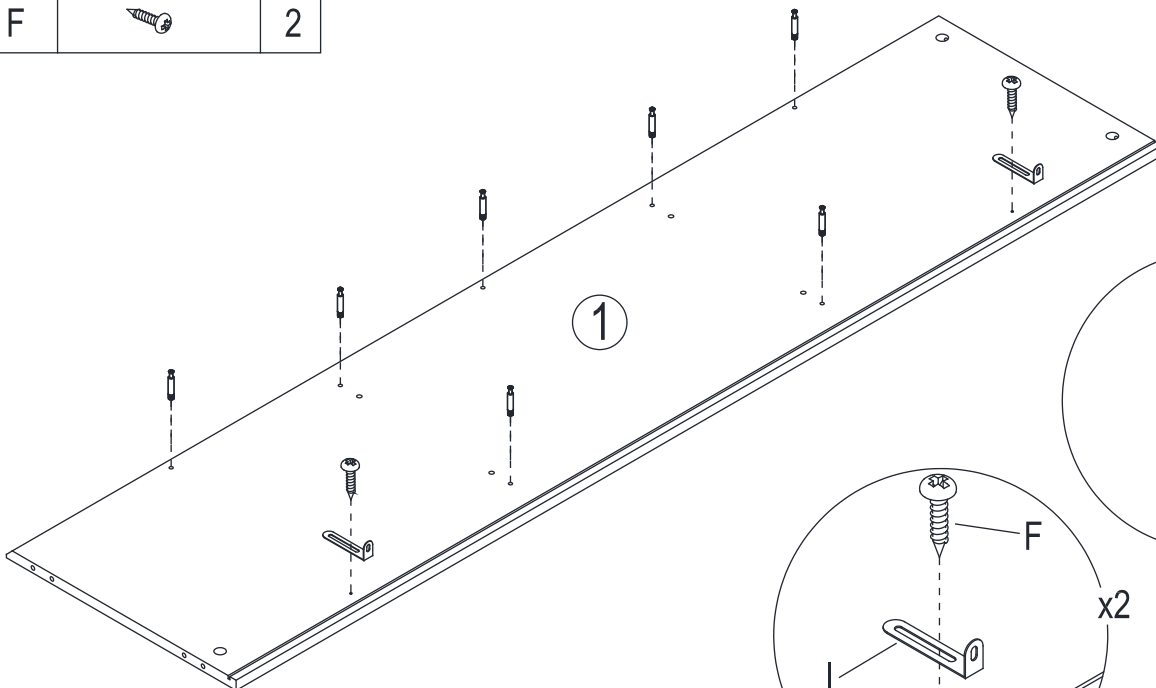




11

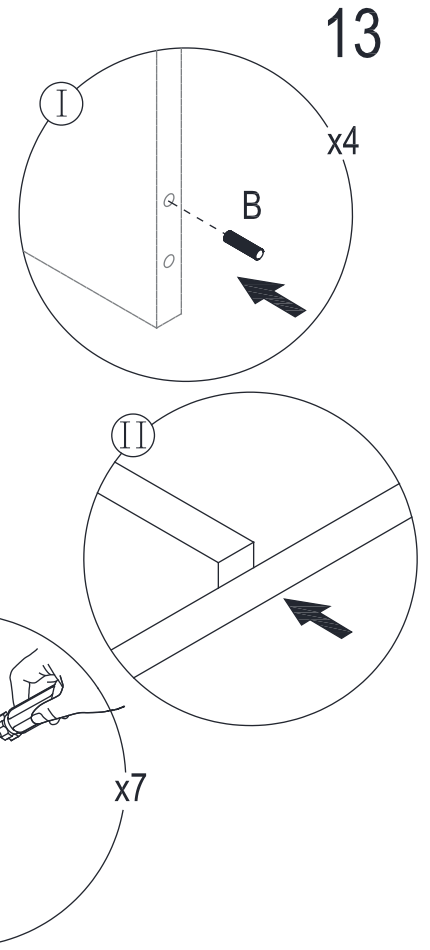
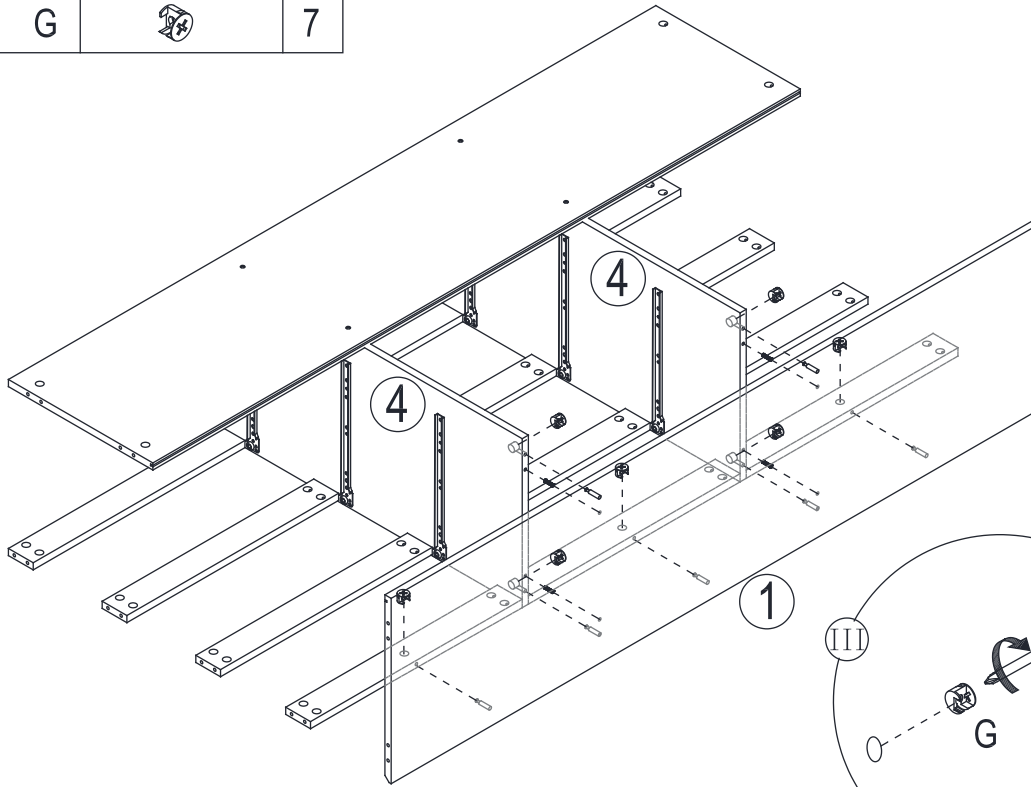
A		7
I		2
F		2

Secure the long side of the 'I' shaped metal plate to Board
 ① using one short 'F' screw.

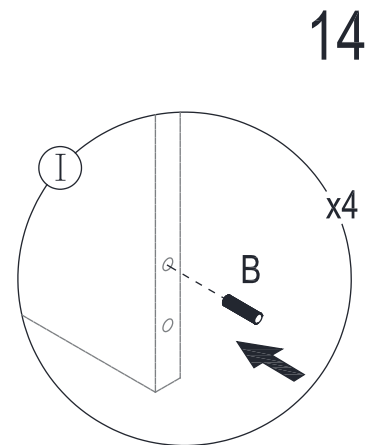
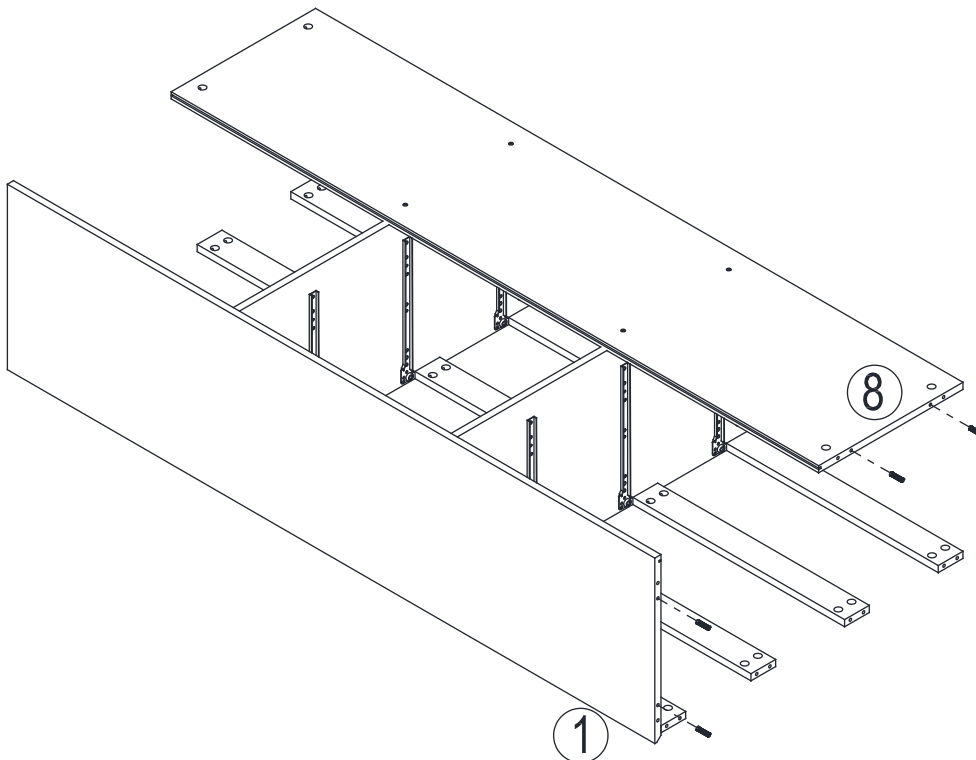
12



B		4
G		7

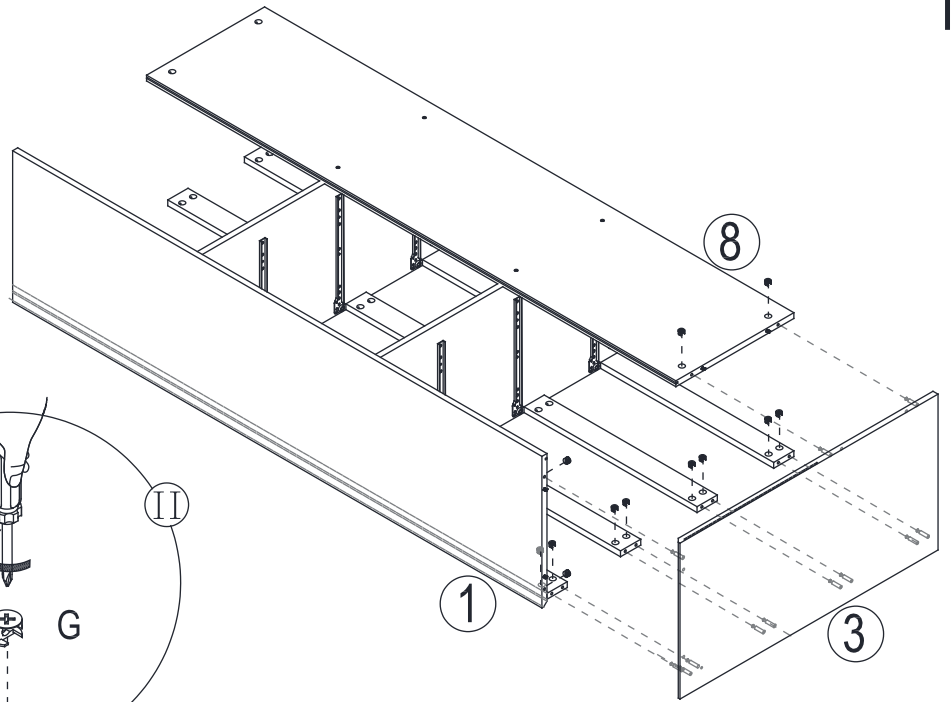
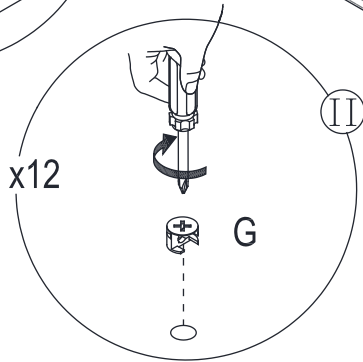
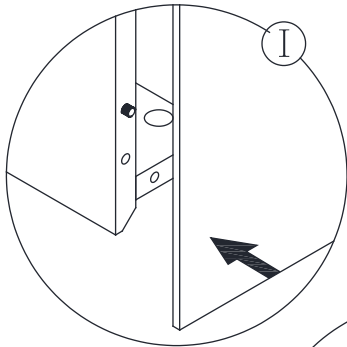


B		4
---	---	---

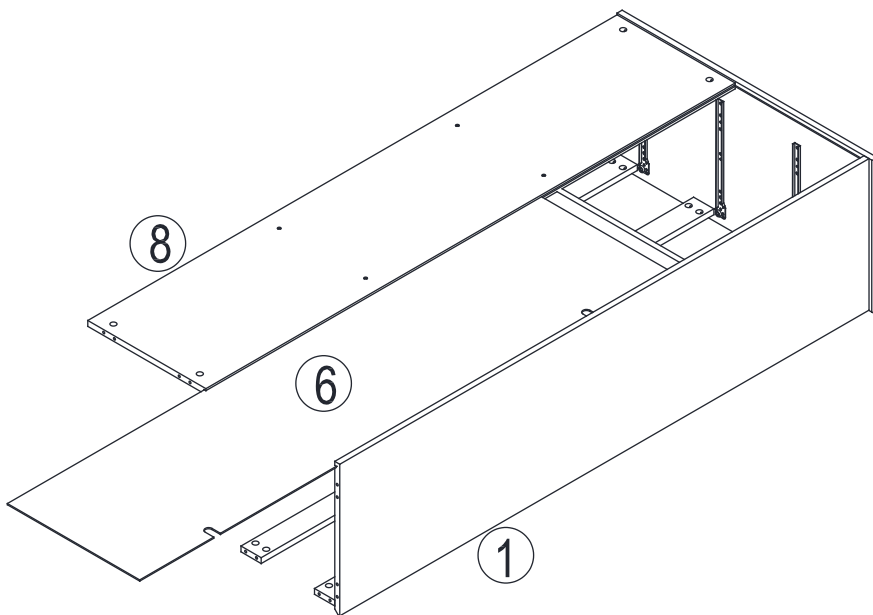


G		12
---	---	----



15

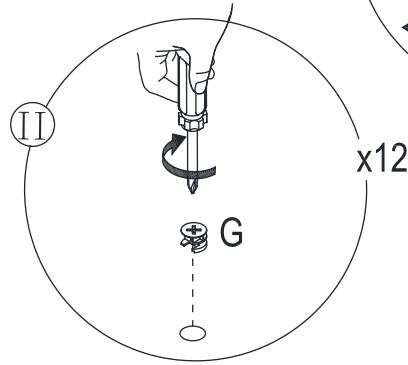
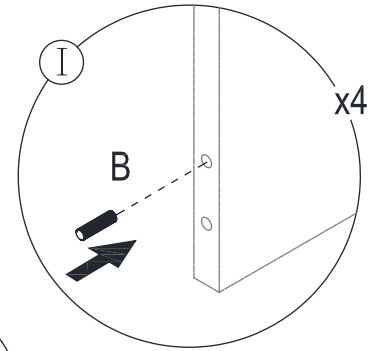
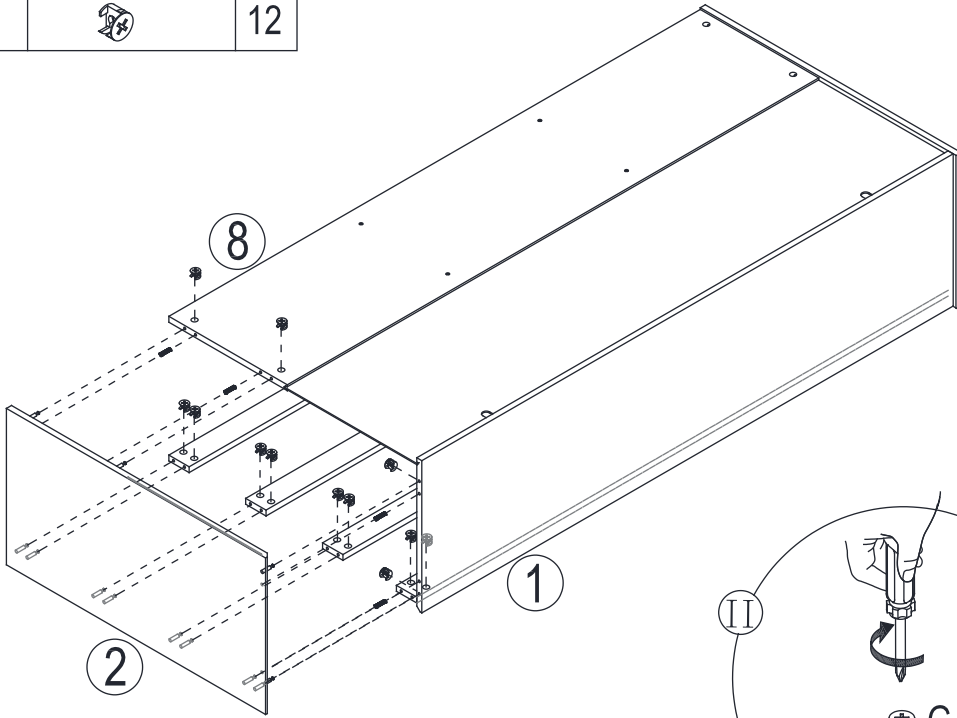


16





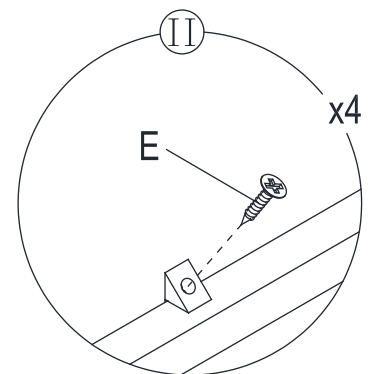
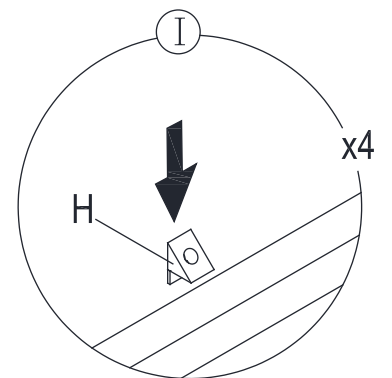
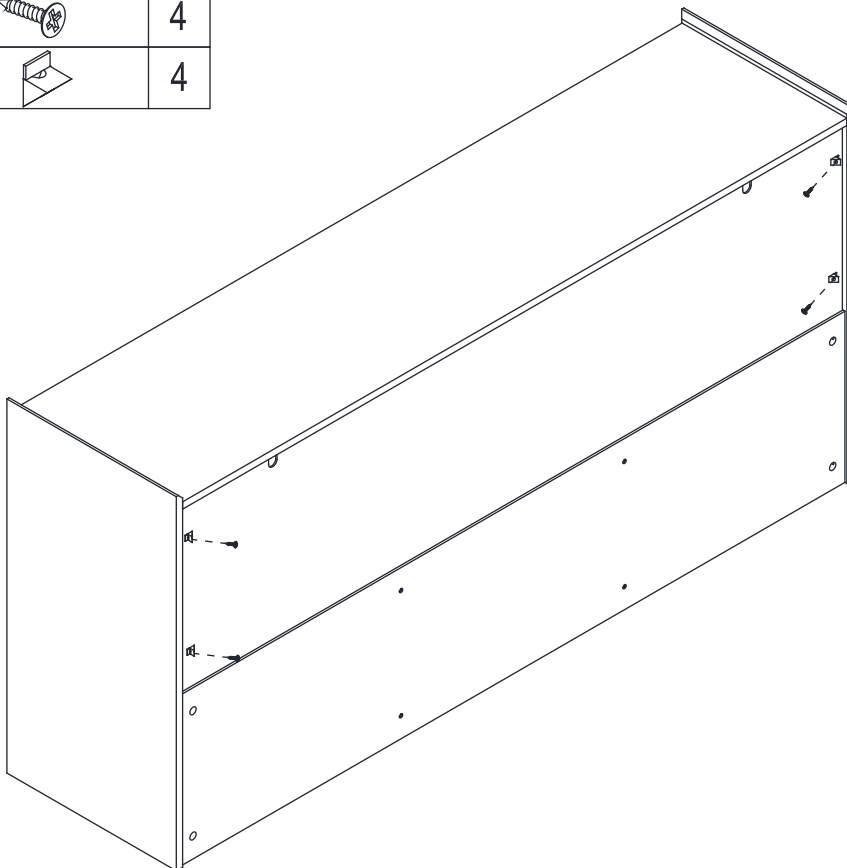
17


B		4
G		12



18

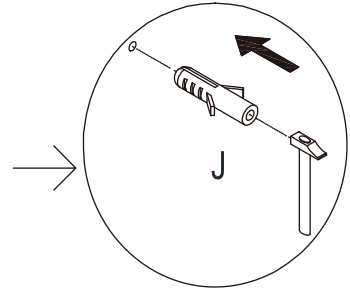
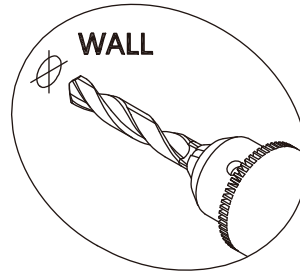
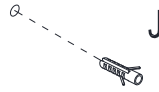
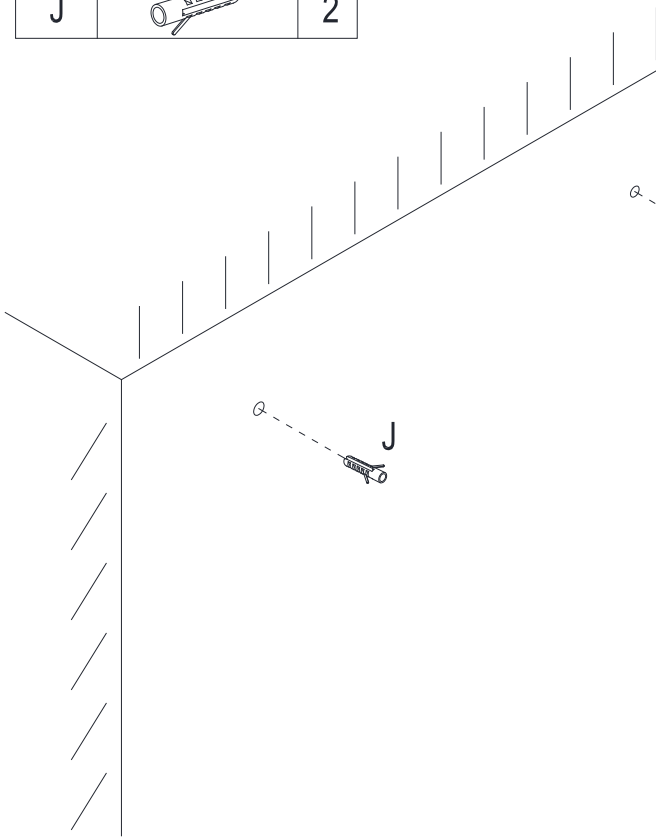
E		4
H		4




J		2
---	---	---

19

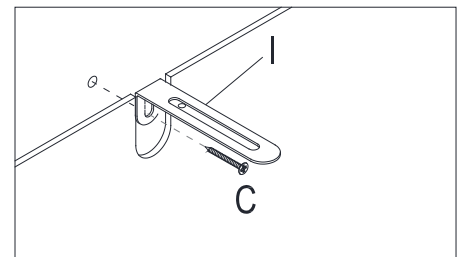
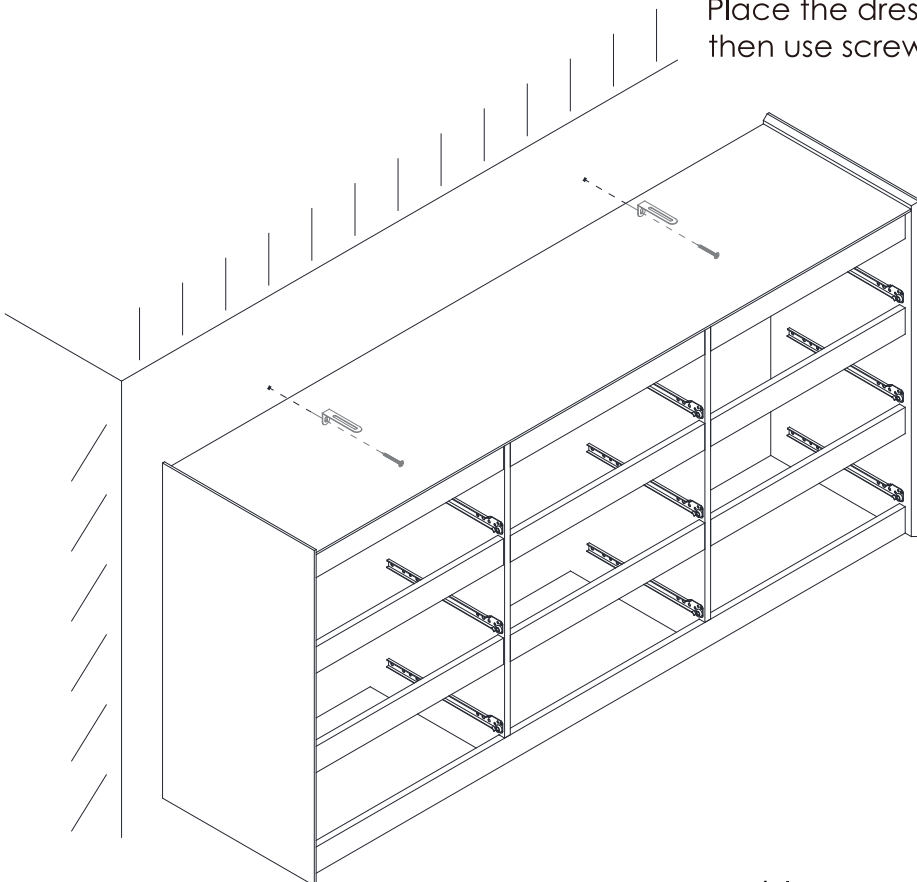
Drill two holes in the wall at the marked position for installing the anti-tip device.



C		2
---	---	---

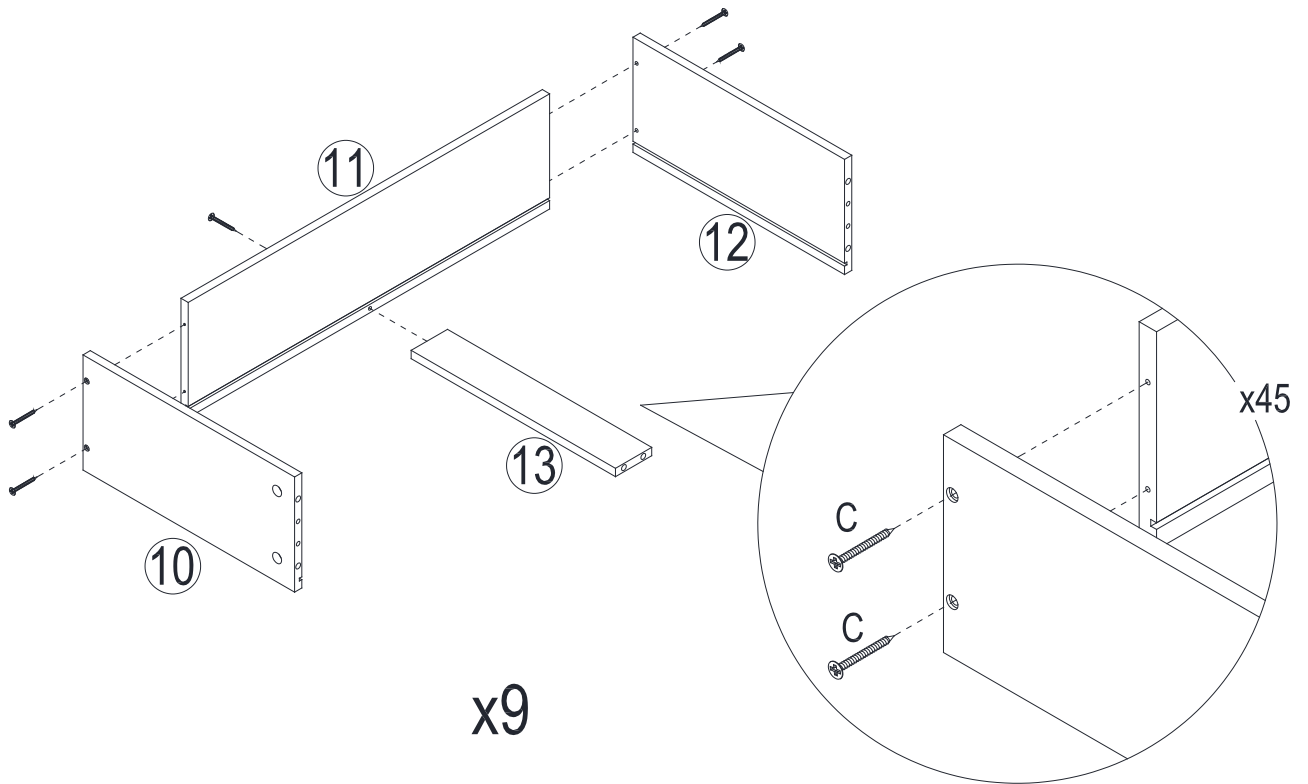
20

Place the dresser in the desired position, then use screw C to anchor it securely to the wall.



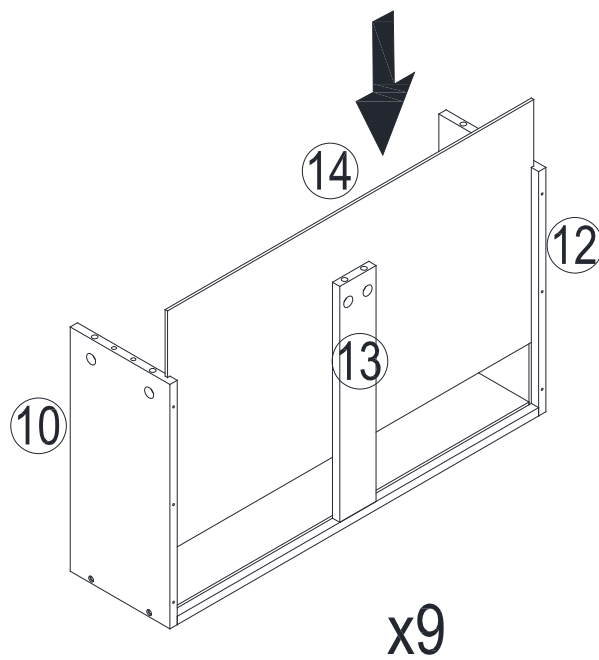
C		45
---	---	----

21




x9

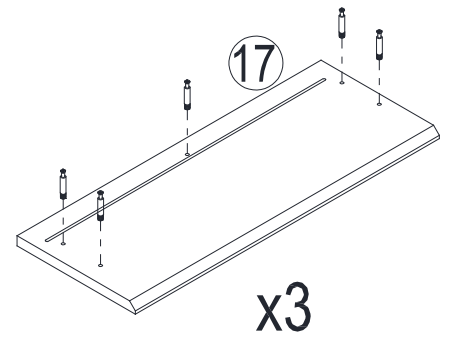
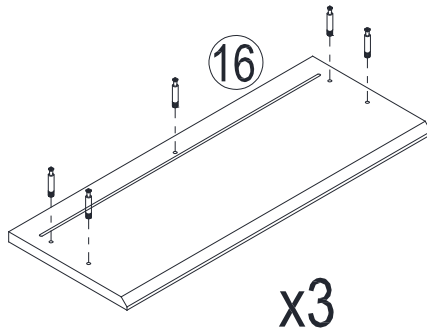
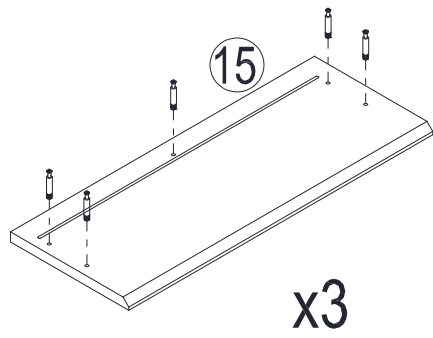
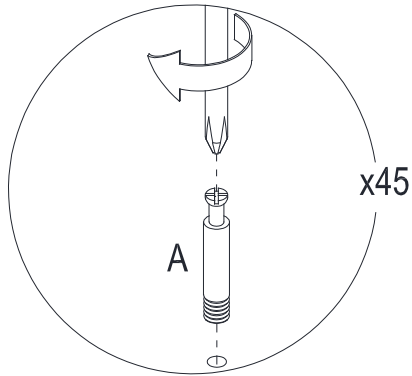
22



x9

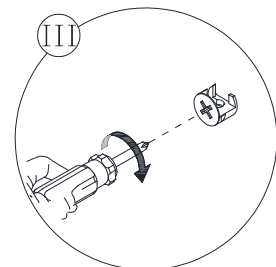
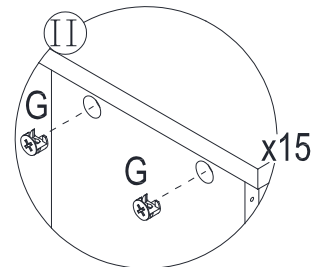
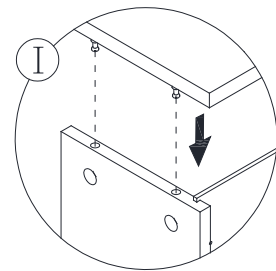
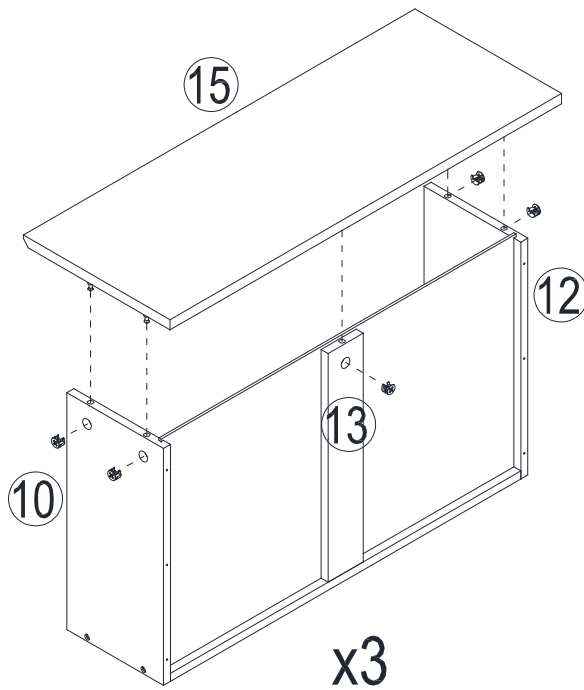
A		45
---	---	----

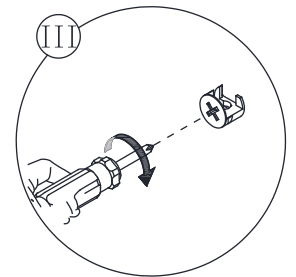
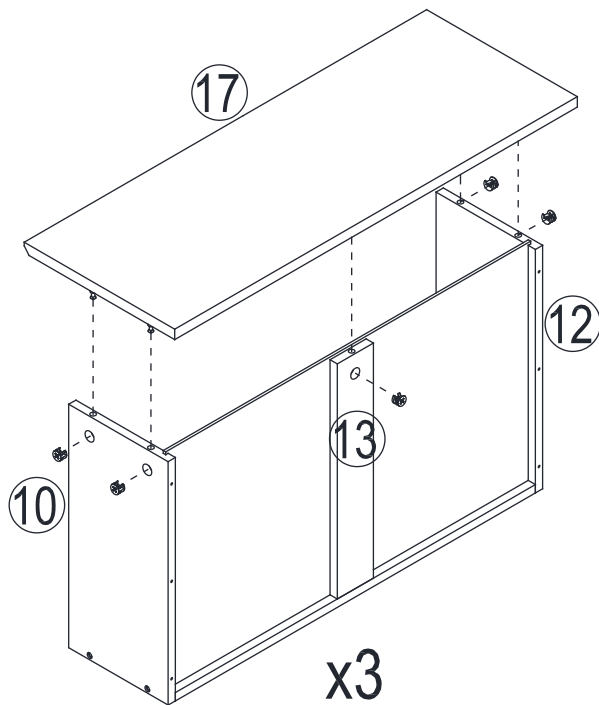
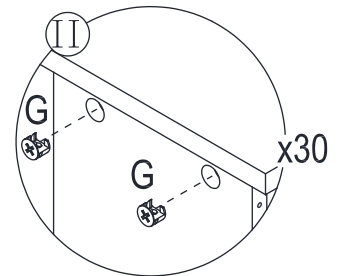
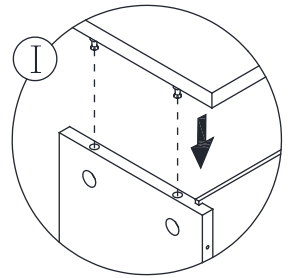
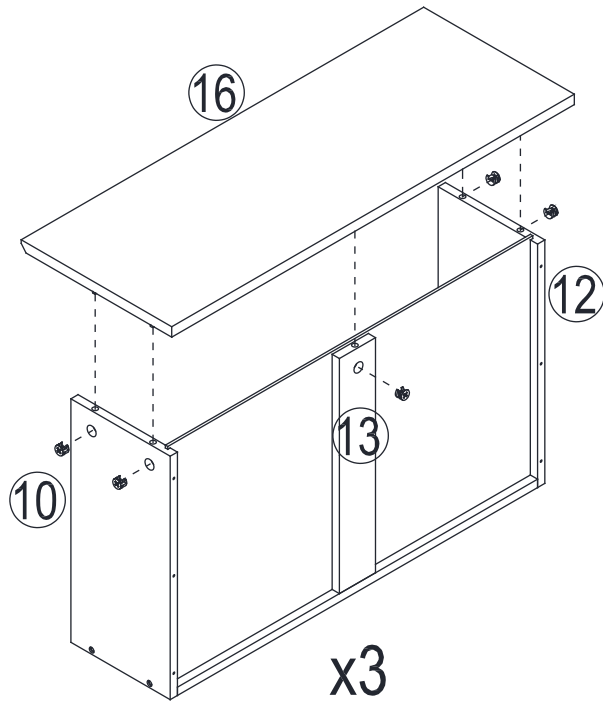
23






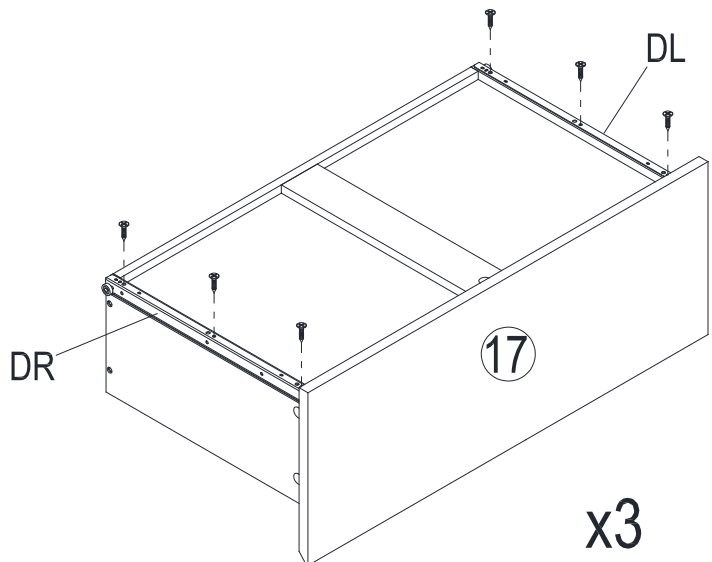
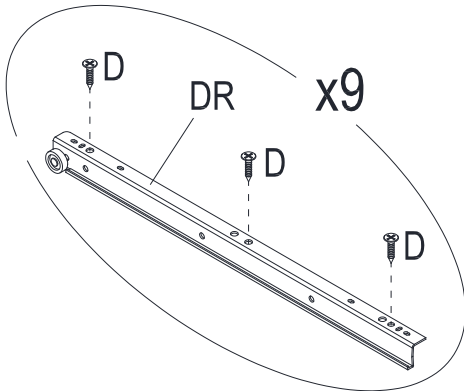
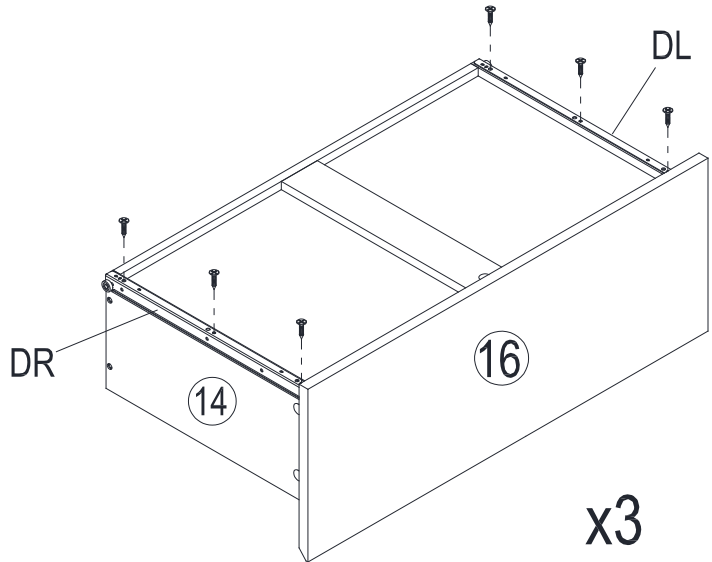
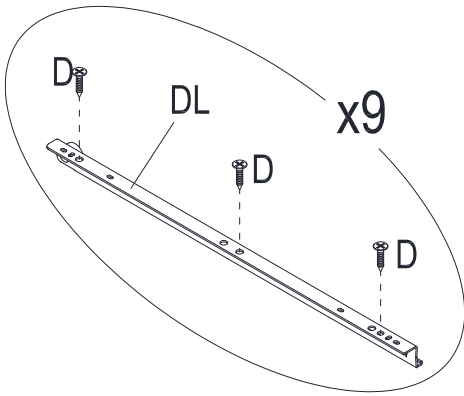
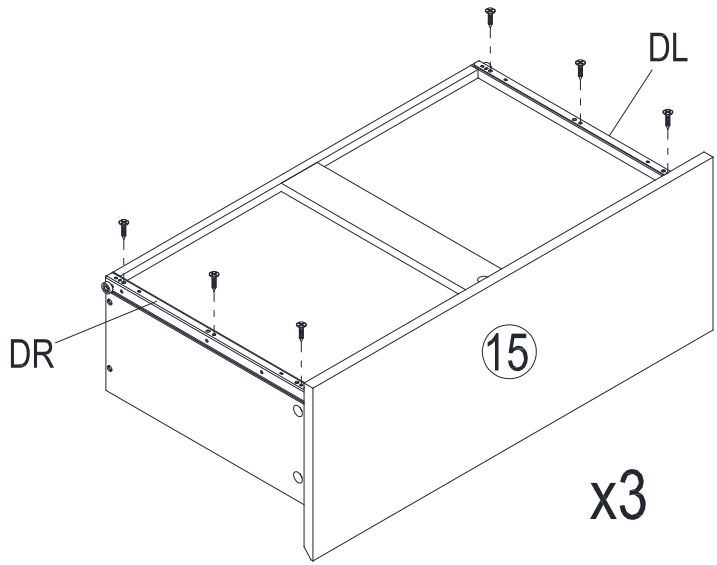
G		15
---	---	----

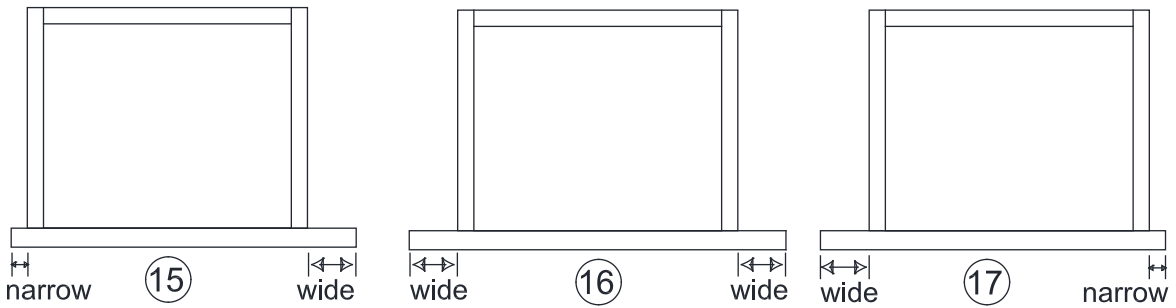
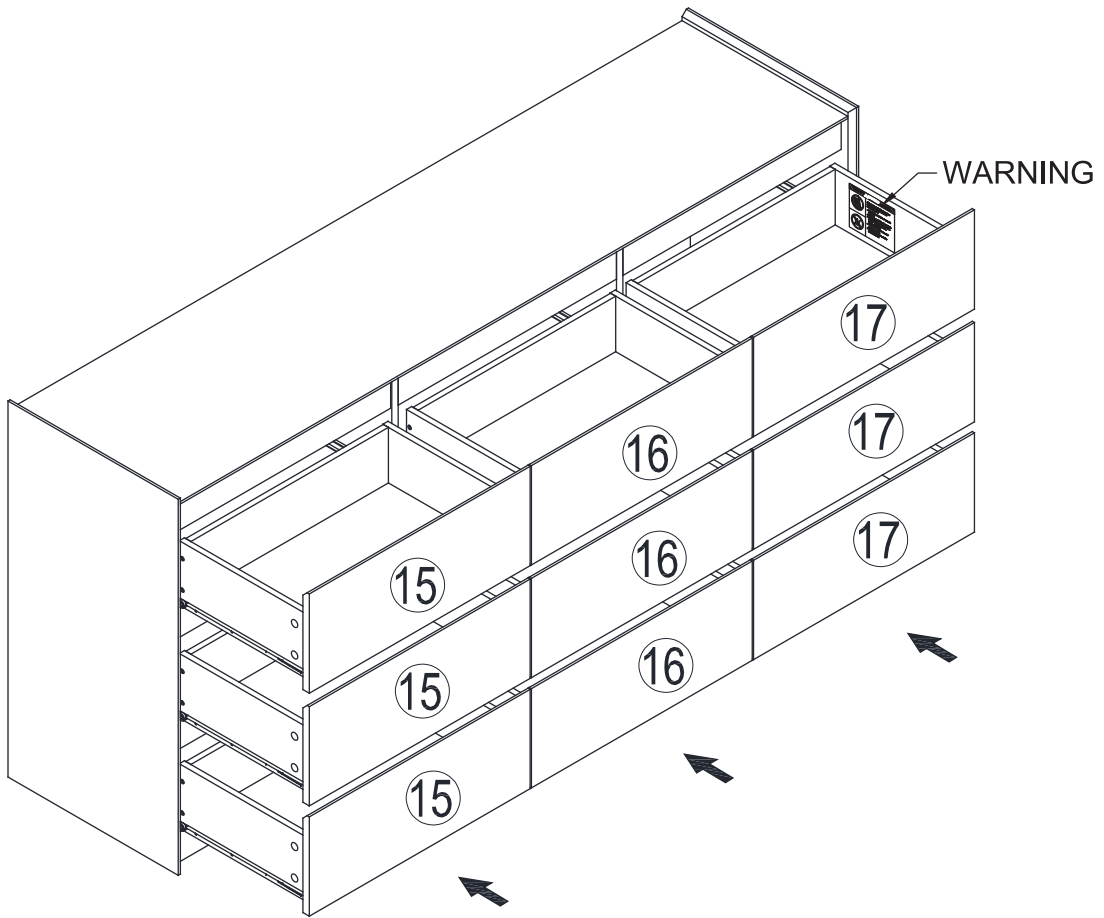
24





D		54
DL		9
DR		9





Make sure part #15 is for the left drawer, #16 is for the middle drawer, and #17 is for the right drawer



! WARNING

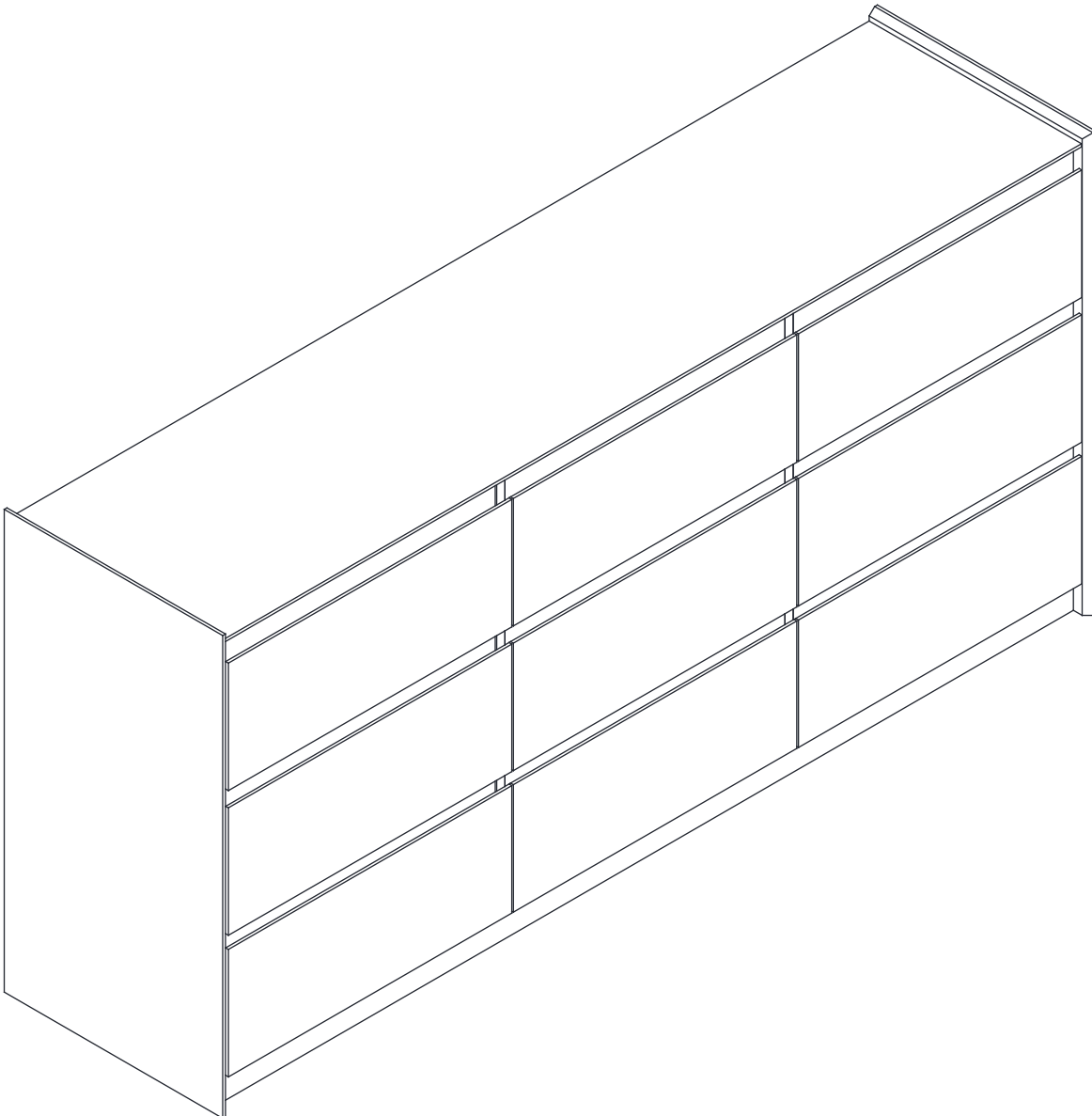


Children have died from furniture tipover. To reduce the risk of furniture tipover:

- **ALWAYS** install Anti-tip device provided.
- **NEVER** put a TV on this product.
- **NEVER** allow children to stand, climb or hang on any drawers, doors, or shelves.
- **NEVER** open more than one drawer at a time.
- Place heaviest items in the lowest drawers.



***This is a permanent label.
Do not remove!***



SAFETY FIRST, STYLE ALWAYS

Thank you for choosing our products. To ensure safety and performance, please follow these instructions:

- **Assembly:** Carefully follow instructions and tighten all parts.
- **Intended Use:** Use furniture as intended and adhere to weight limits.
- **Handling:** Move gently and check for loose parts regularly.
- **Tipping:** Tall or unstable furniture may tip over if not secured, especially in homes with children or pets.
- **Overloading:** Exceeding weight limits can lead to collapse or damage.
- **Sharp Edges:** Handle furniture with sharp corners carefully, especially around children.

MAINTENANCE & CLEANING TIPS

- **Regular Cleaning:** Use a soft, dry cloth to wipe the surface of cabinet regularly. Avoid harsh chemical cleaners.
- **Protect from Sunlight:** Keep cabinet out of direct sunlight to prevent damage to the material and finish.

DON'T WORRY, WE'VE GOT YOUR BACK.

We don't just sell furniture — we're here for the long haul! If you run into any issues due to manufacturing defects or material problems, we offer a 1-year warranty. That means we'll replace any faulty parts for free — no hassle.