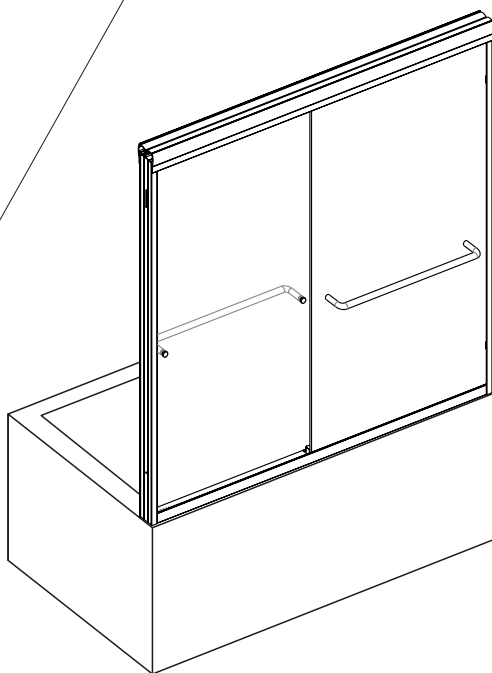
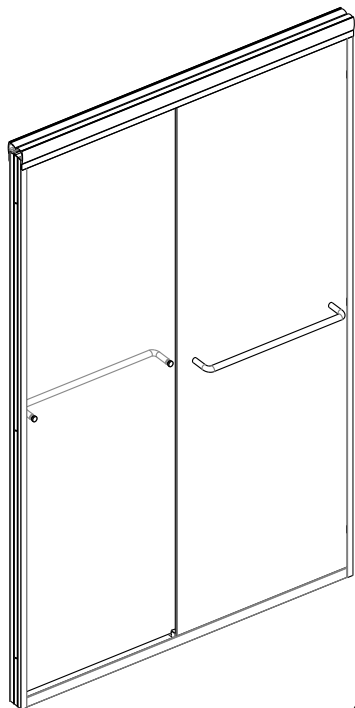


INSTALLATION INSTRUCTIONS



24D03

V1.2-2025-3-13



Box Contents



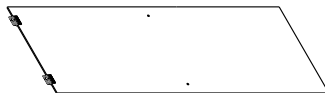
[01] x1
Top Horizontal
Rail



[02] x2
Wall Profile



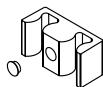
[03] x1
Bottom
Horizontal Rail



[04] x2
Door panel



[05] x2
Handle set



[06] x6
Glass Block



[07] x1
Glass Track



[08] x6
Wall Plug



[09] x6
Screw



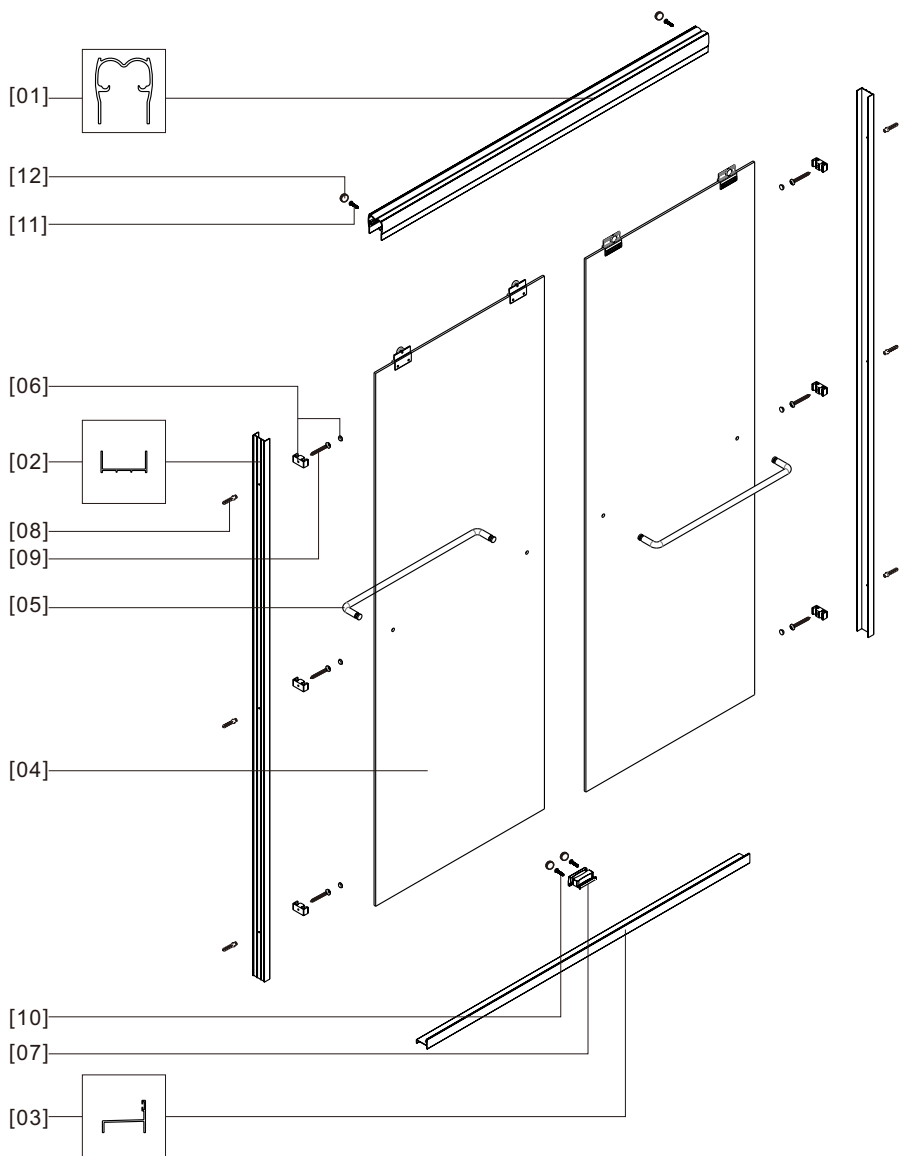
[10] x2
Screw



[11] x2
Screw



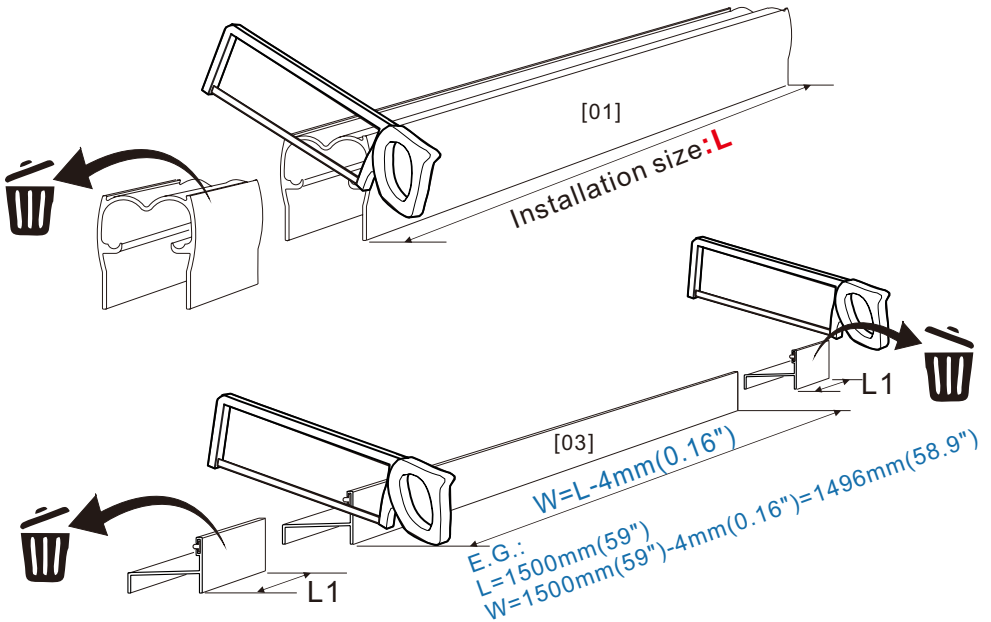
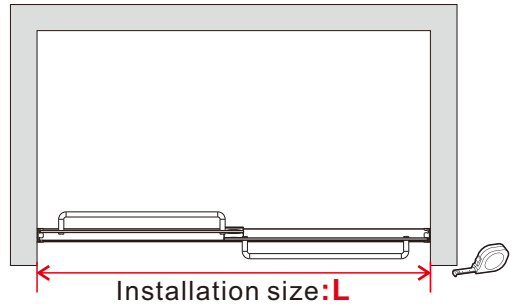
[12] x4
Screw cap





01

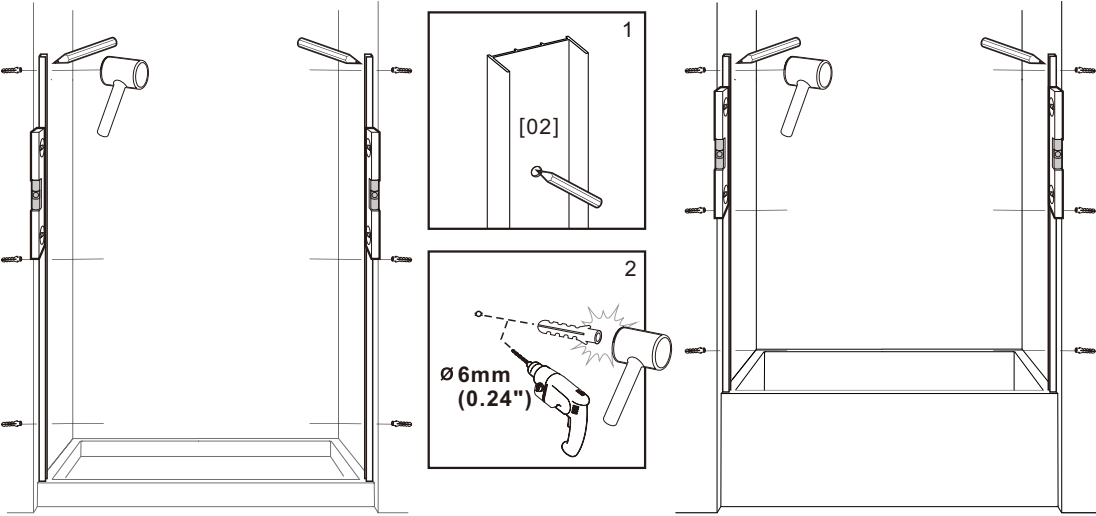
Size (in.)	L	
	Min.	Max.
48"	44"	48"
60"	56"	60"



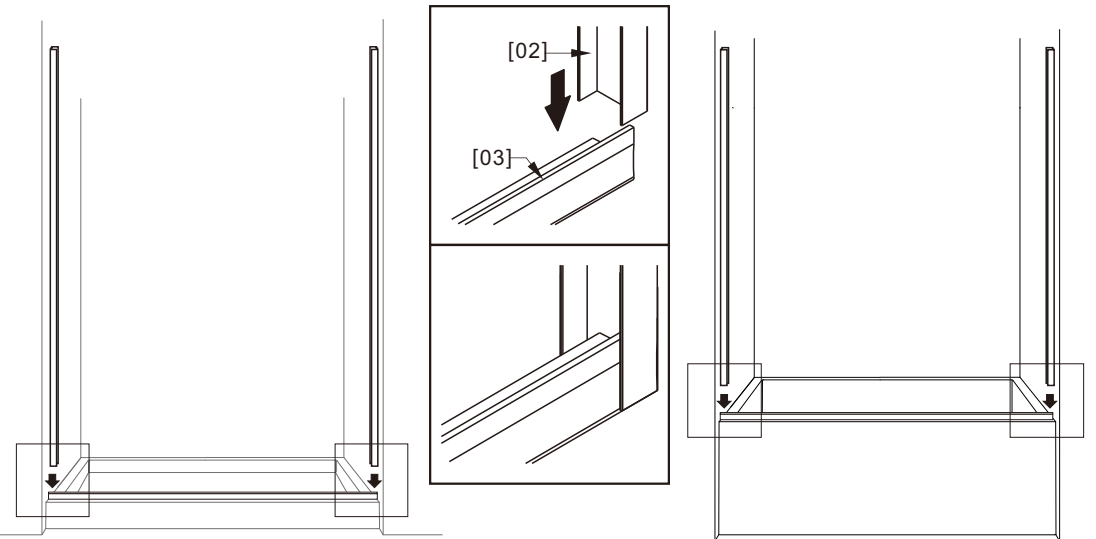
1. Measuring Installation size L.
2. Cut the top horizontal rail [01] to length: Installation size L.
3. Cut the bottom horizontal rail [03] 's length W is: Installation size L subtract 4mm (0.16") .

Note: When cutting the bottom horizontal rail, it needs to be cut in half at each end.

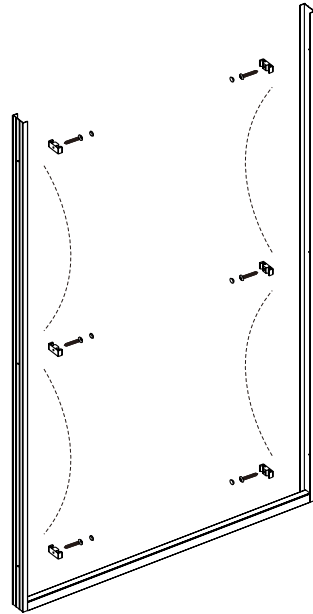
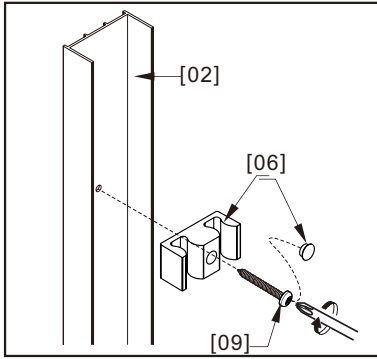
02



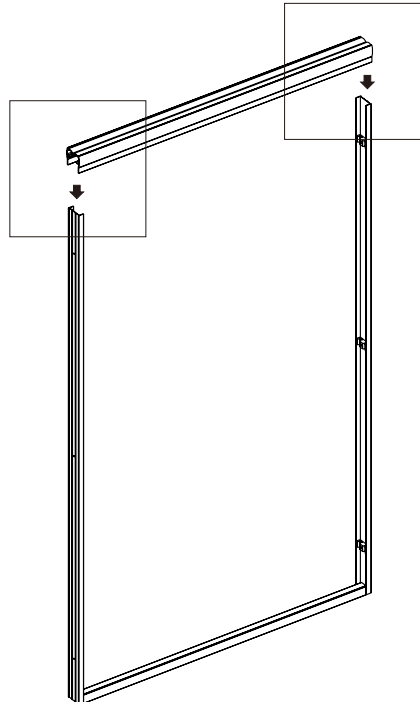
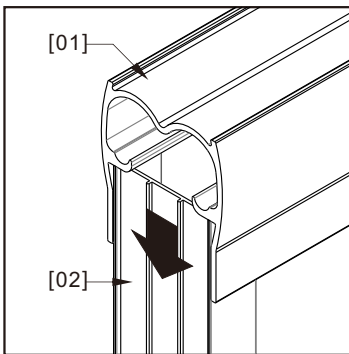
03



04

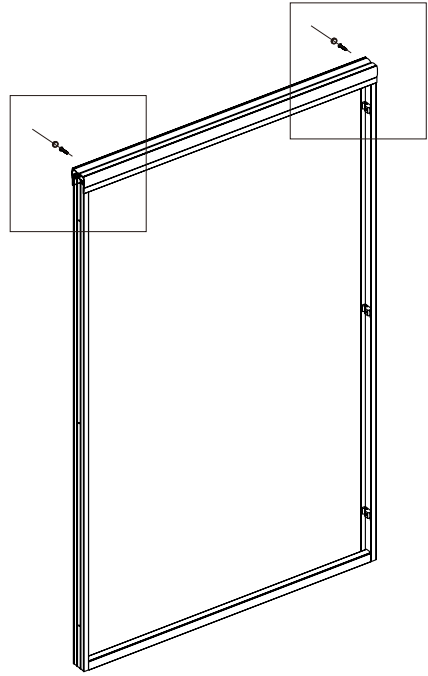
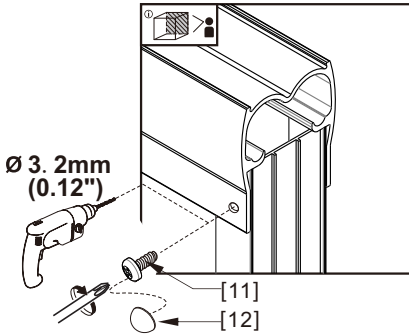


05

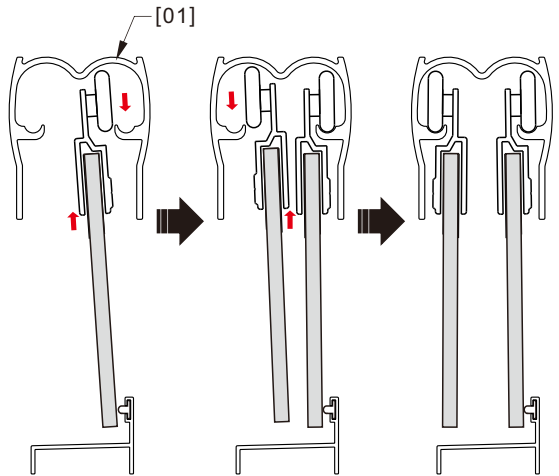
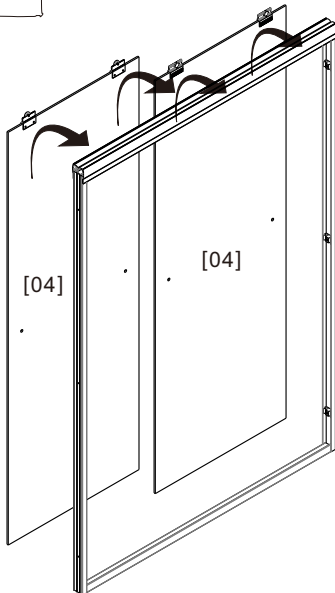


06

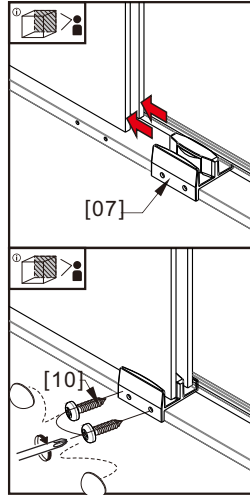
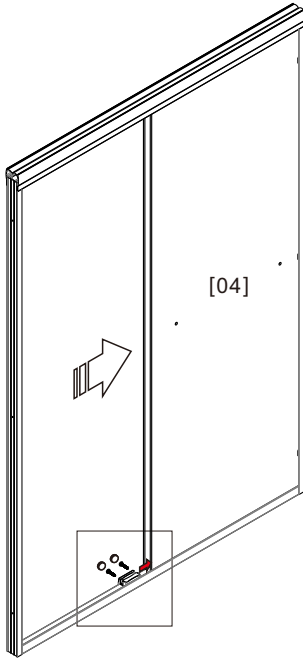
 View from inside



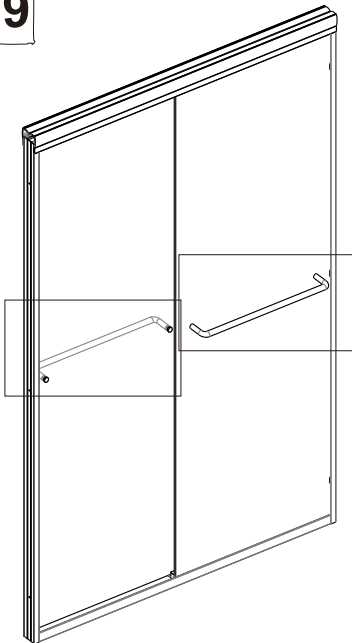
07



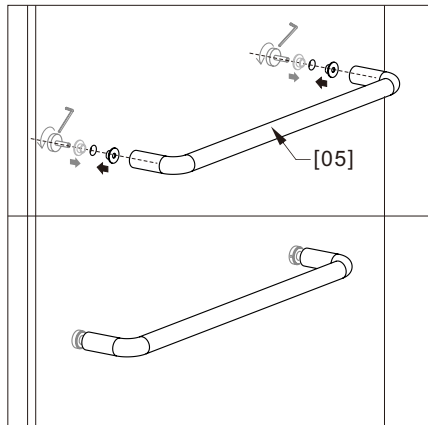
08



09



2x



10

