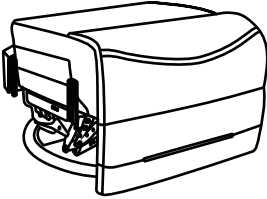


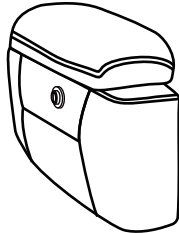

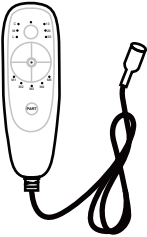
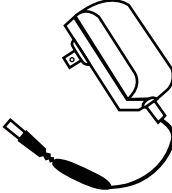





Assembly Instructions

Your recliner comes packaged in **two boxes**. Carefully remove all of components from the packaging and set aside for assembly.

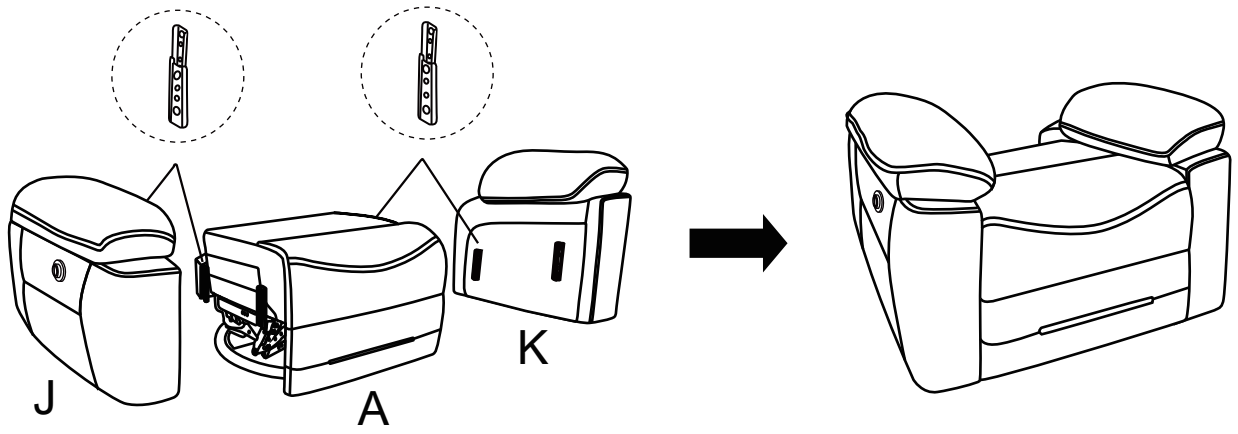
CAUTION
DO NOT use any sharp objects to open plastic wrapped components as damage to product or components may result.

Package Contents

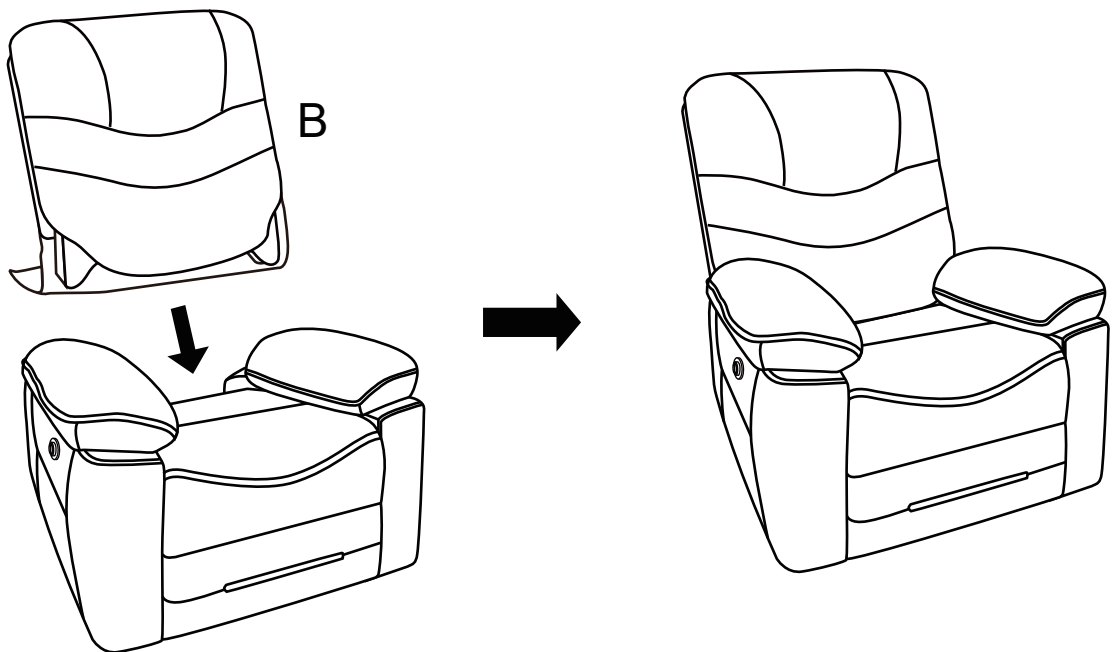
BOX 1		BOX 2	
 A*1(Chair Seat)	 B*1(Chair Back)	 C*1(Left Ear)	 J*1(Left Armrest)
 D*1(Right Ear)	 E*1(Massage Remote)	 F*1(Power Plug)	 K*1(Right Armrest)
 G*1(power supply)	 H*1(power cord)		

PLEASE NOTE that Box 1 and Box 2 may not arrive on the same day. Please wait 2 or 3 days more for the second parcel. Have any questions, just be free to contact us for further shipping information.

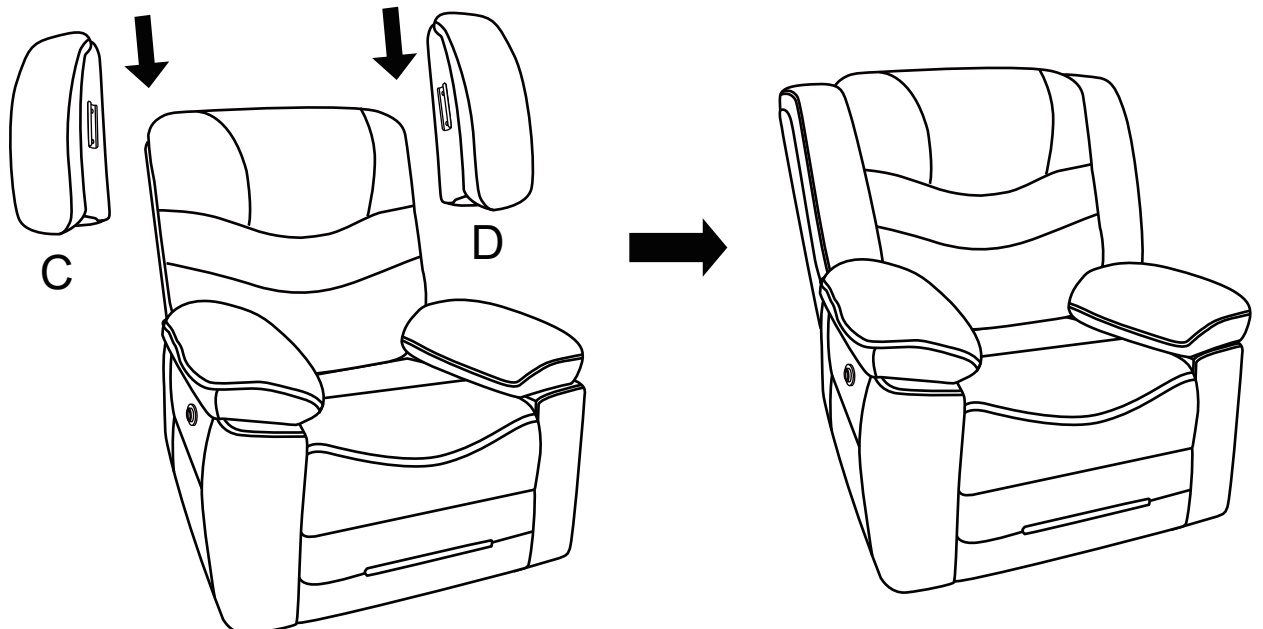
Step 1:



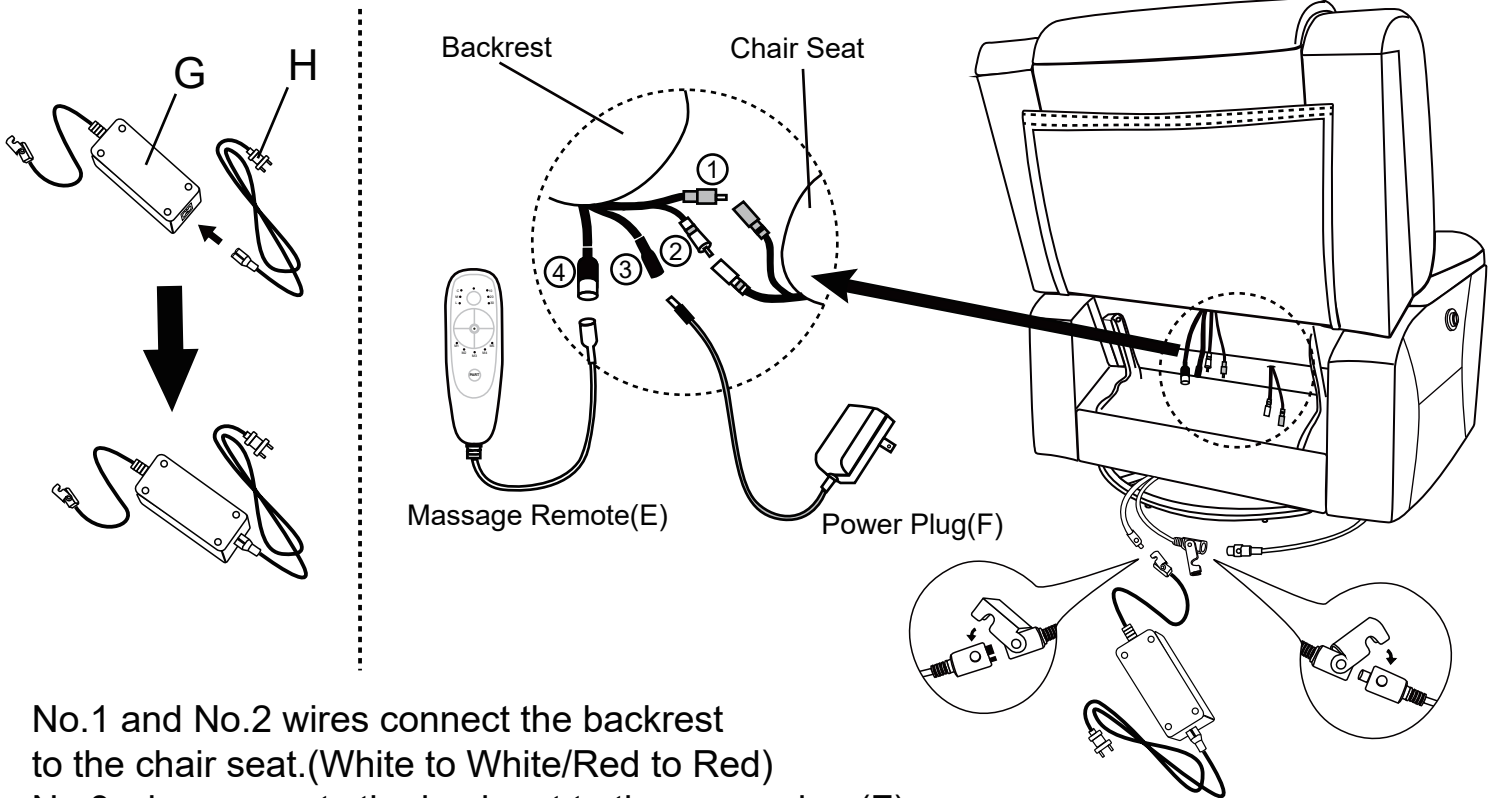
Step 2:



Step 3:

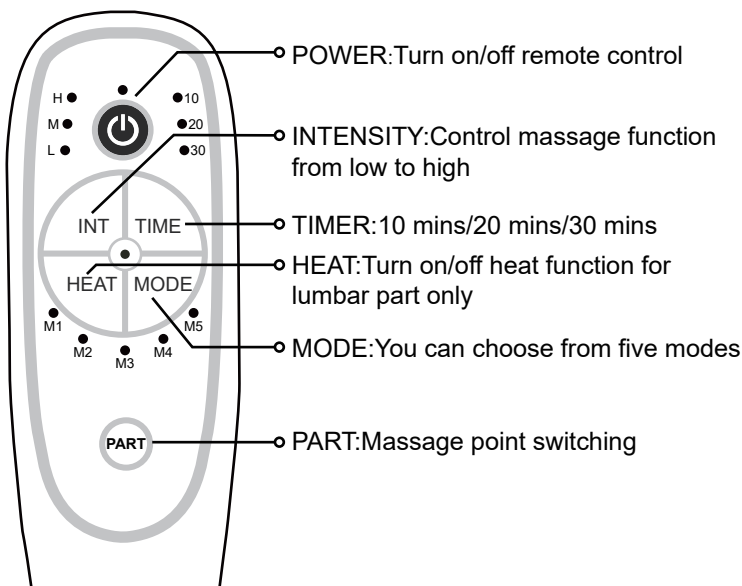


Tips of Connecting Power Cords:



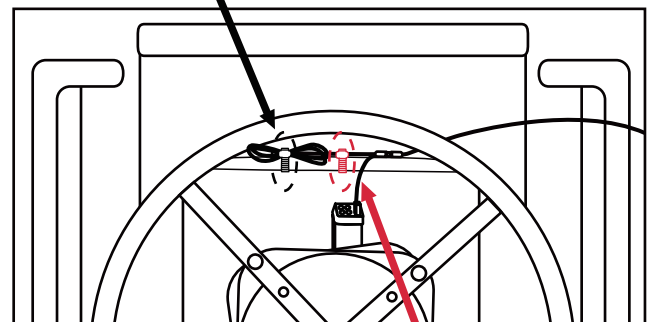
- No.1 and No.2 wires connect the backrest to the chair seat.(White to White/Red to Red)
- No.3 wire connects the backrest to the powerplug (F).
- No.4 wire connects up the backrest and massage remote(E).
- Plug the power source (F) into outlet to get the massaging and heating function working.
- No.5 Connect the line under the right armrest to the line on the base to activate the side-flat function

Remote Operation Instruction



★Important Notice

White Strap:
This strap needs to be cut before use.



Red Strap:
This strap should not be cut. Please leave it intact.