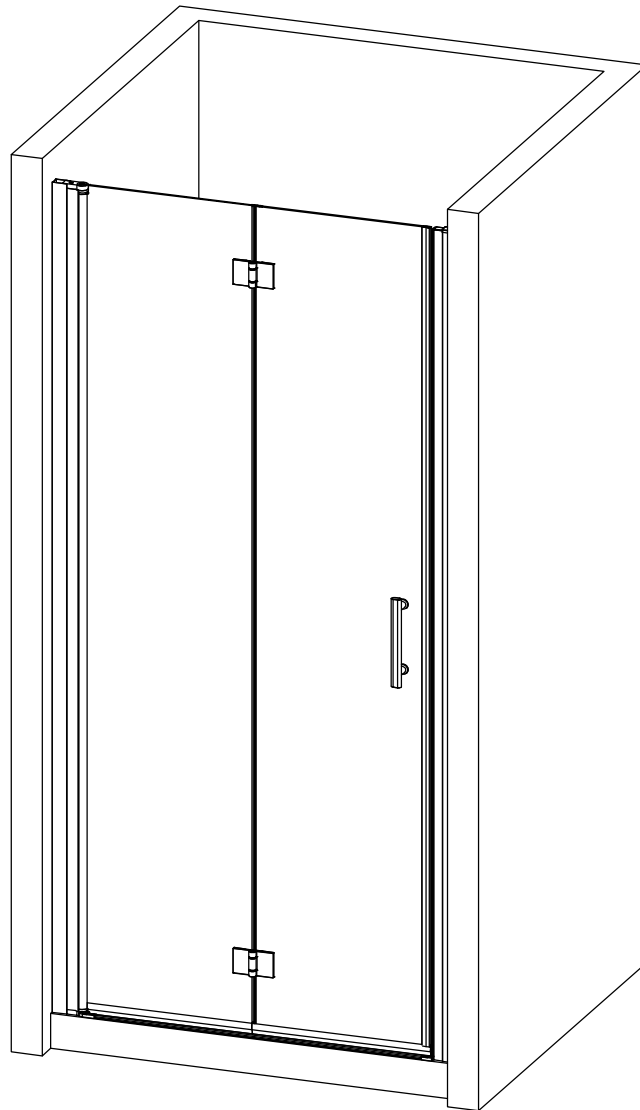


BFR Series



BI-FOLD SHOWER DOOR:

Please scan the QR code to get the installation video on YouTube.

If the QR code is invalid, please search for the title in YouTube:

BFS SERIES BI-FOLD SHOWER DOOR

<https://www.youtube.com/watch?v=AqUIGZg-7nQ&feature=youtu.be>



◆ General information

Please inspect the product immediately upon receipt for transit damage, missing packs/parts or manufacturing fault. Damage reported later cannot be accepted. Please handle the product with care avoiding knocks and shock loading to all sides and edges of the glass.



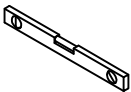
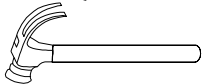
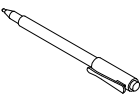
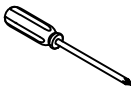
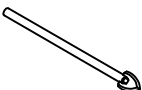
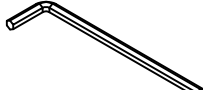
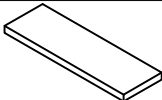
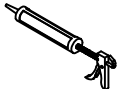
Note: Safety glass can not be re-worked.

- Please read these instructions carefully before start of installation.
- Special care should be taken when drilling walls to avoid hidden pipes or electrical cables.
- Note: this product is heavy and required two persons install.

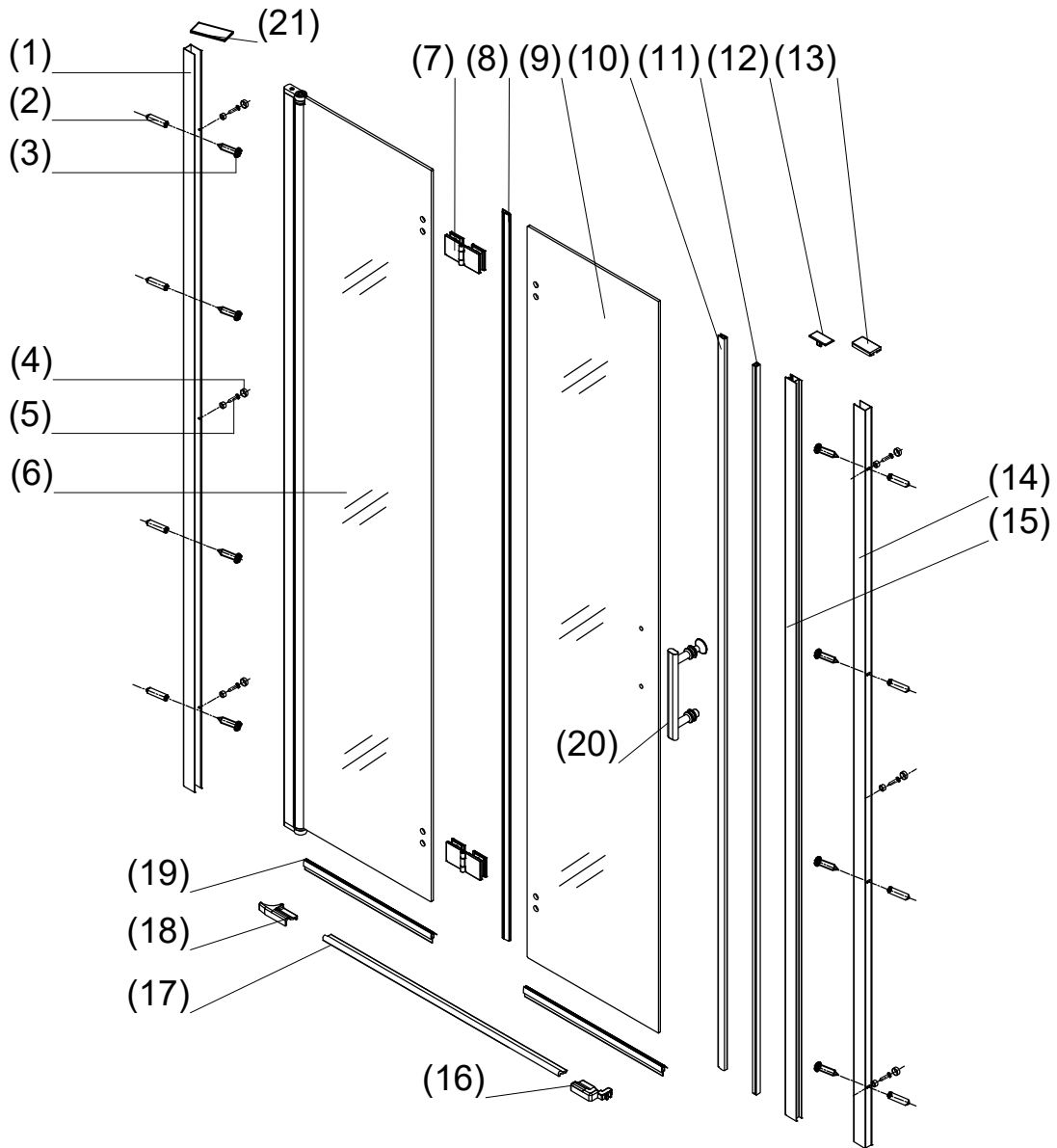
Aftercare instructions

- After use, your shower should be cleaned with soap and water. This is particularly important in hard water districts where insoluble lime salts may be deposited and allowed to build up.
- Cleaners of gritty or abrasive nature should not be used. Care should be taken to avoid contact with strong chemicals such as organic solvents and strippers.
- Glass cleaners can be used but with caution, if in doubt contact the manufacturer of the cleaner in question.
- Please keep these instructions for aftercare and customer service details.

TOOLS REQUIRED

DESCRIPTION	PART IMAGE	DESCRIPTION	PART IMAGE
Tape measure		Drill	
Spirit level		Hammer	
Pencil		Cross head Screwdriver	
Ø6/3.2mm Drill bit		Inner hexagon Spanner	
20mm Thick board		Silicone Sealant	

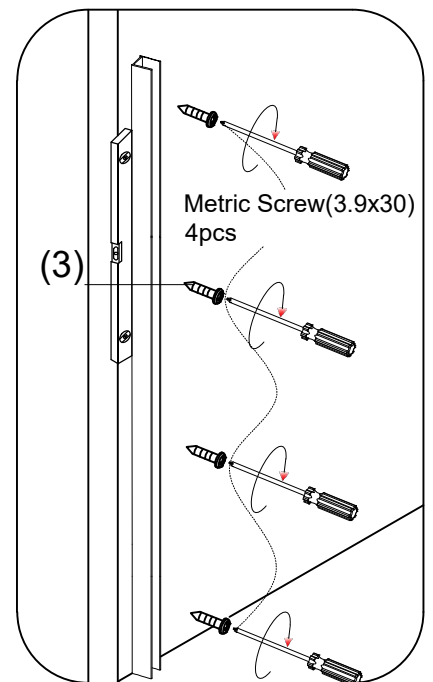
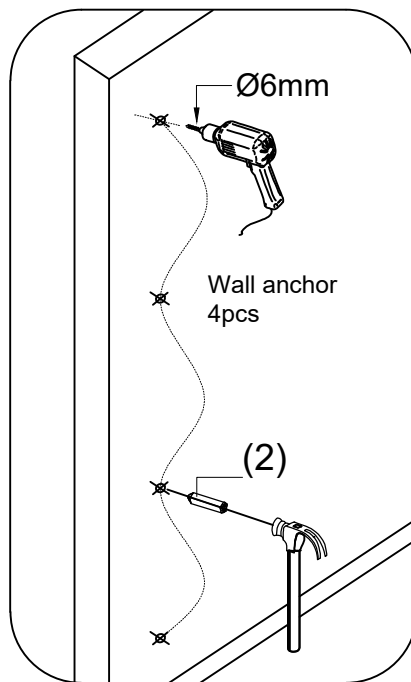
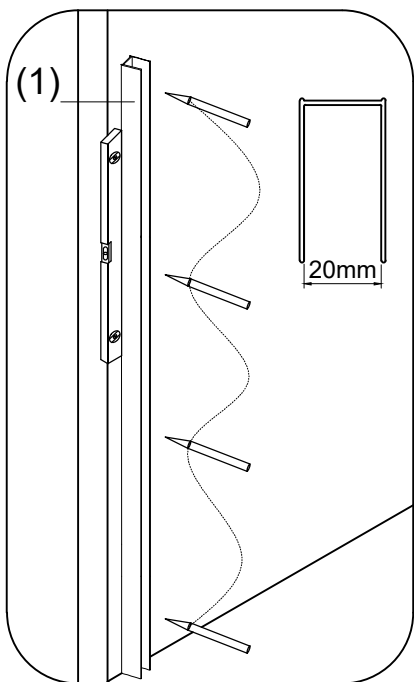
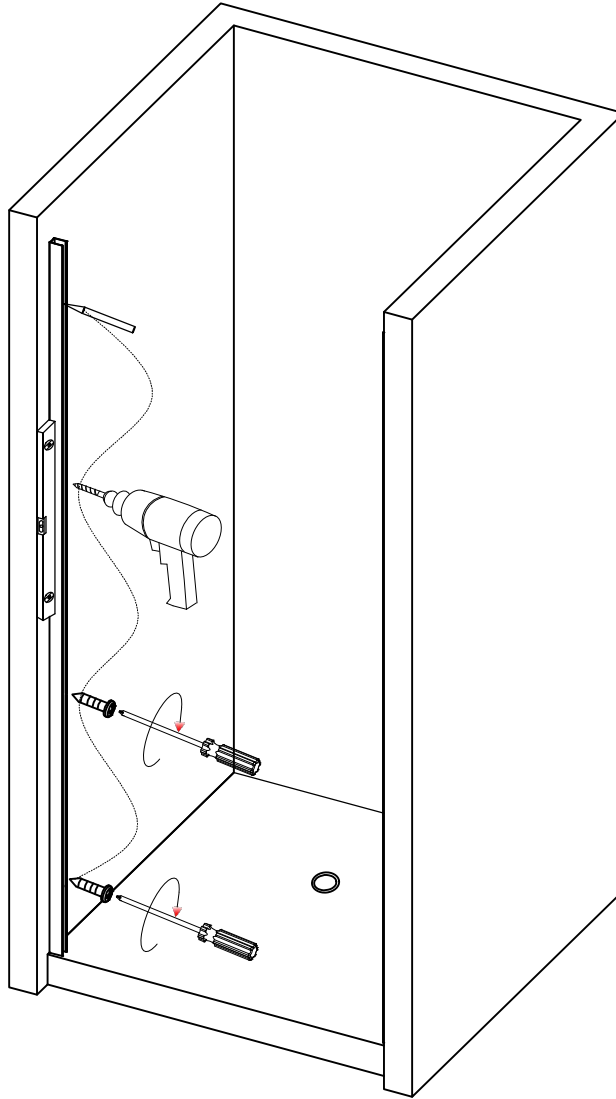
ASSEMBLY INSTRUCTIONS-DRAWING



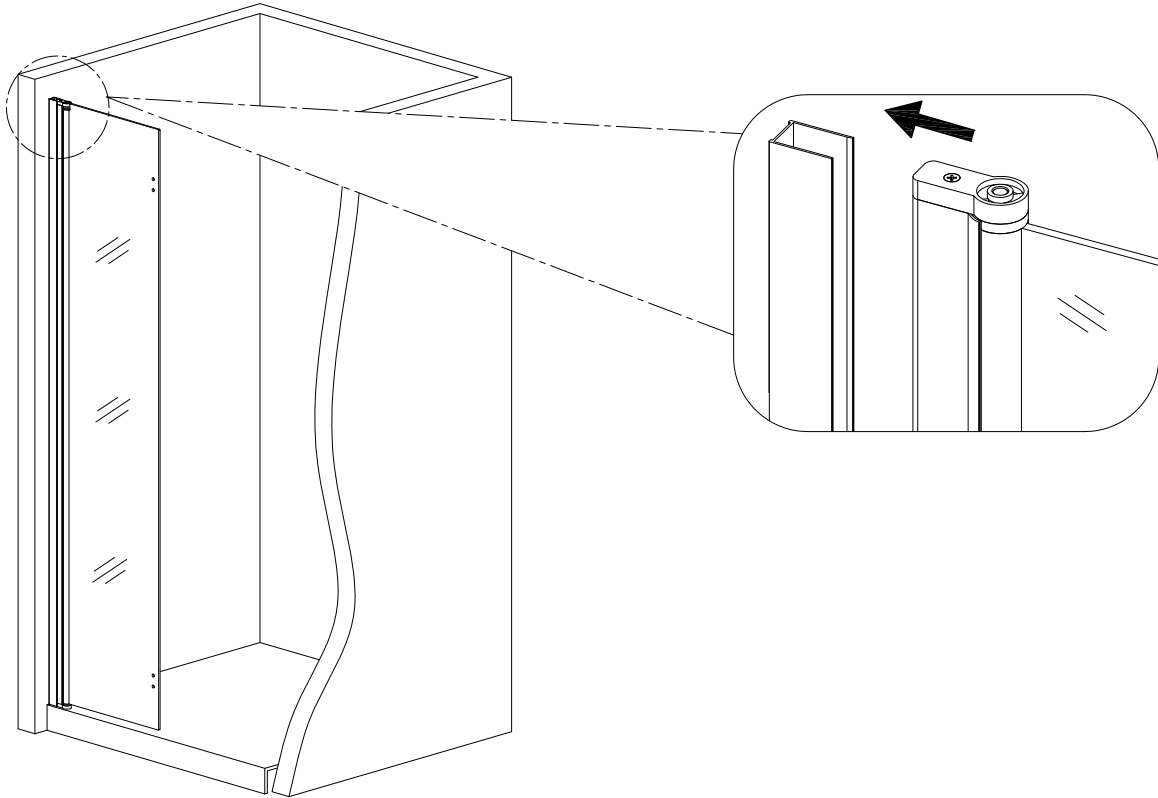
NO.	Description	QTY	Diagram
1	Wall jamb	1	
2	Wall anchor	8	
3	Metric Screw(3.9x30)	8	
4	Screw cover cap	6	
5	Metric Screw(3.9x10)	6	
6	Glass	1	
7	Hinge	2	
8	Water retaining rubber strip	1	
9	Glass	1	
10	Magnetic adhesive strip	1	

NO.	Description	QTY	Diagram
11	Magnetic adhesive strip	1	
12	Decorative cover	1	
13	Decorative cover	1	
14	Wall jamb	1	
15	Wall jamb	1	
16	Water retaining block	2	
17	Water retaining aluminium strip	1	
18	Water retaining block	2	
19	Water retaining rubber strip	2	
20	Handle	1	
21	Decorative cover	1	

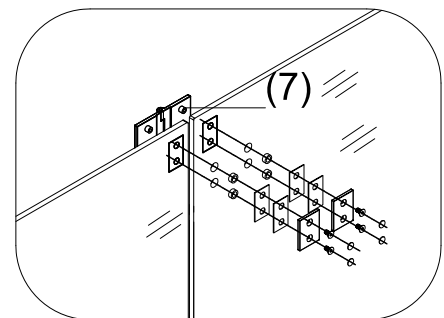
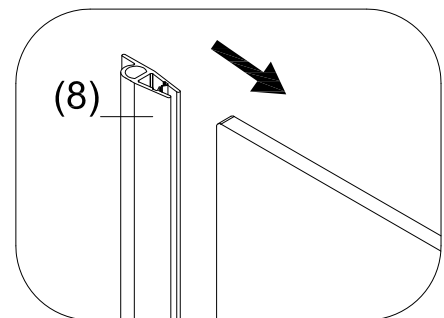
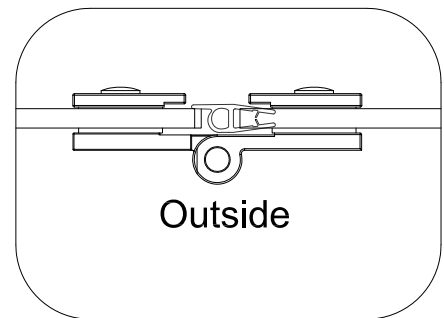
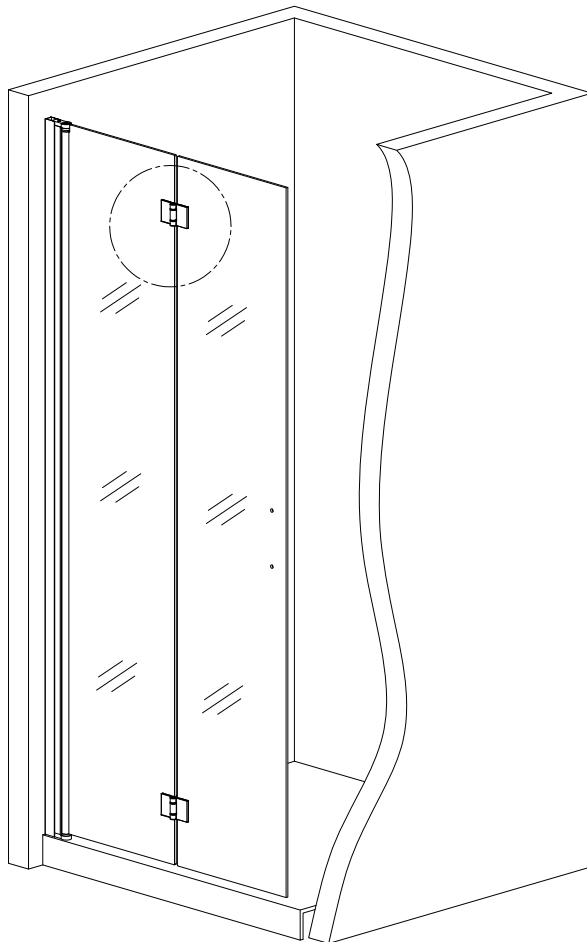
Step 1



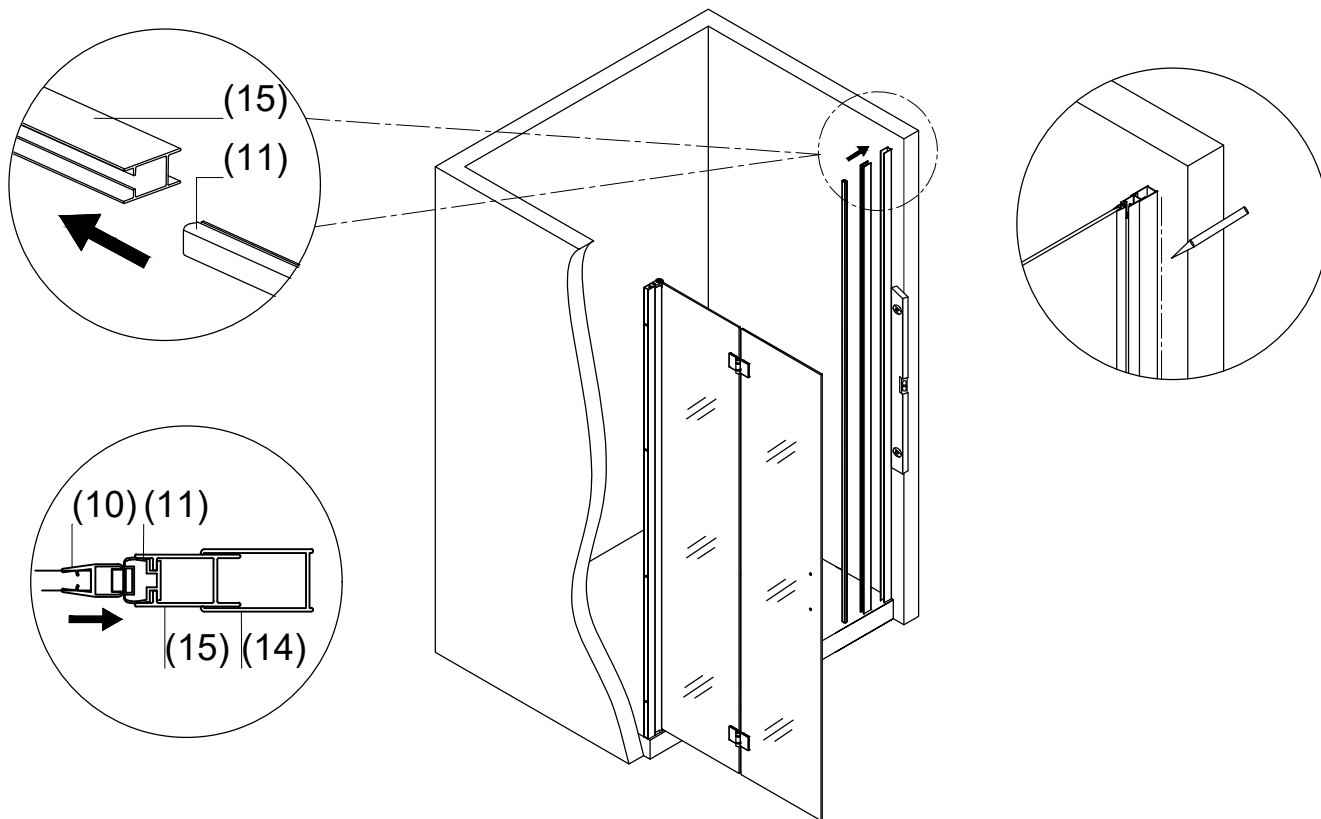
Step 2



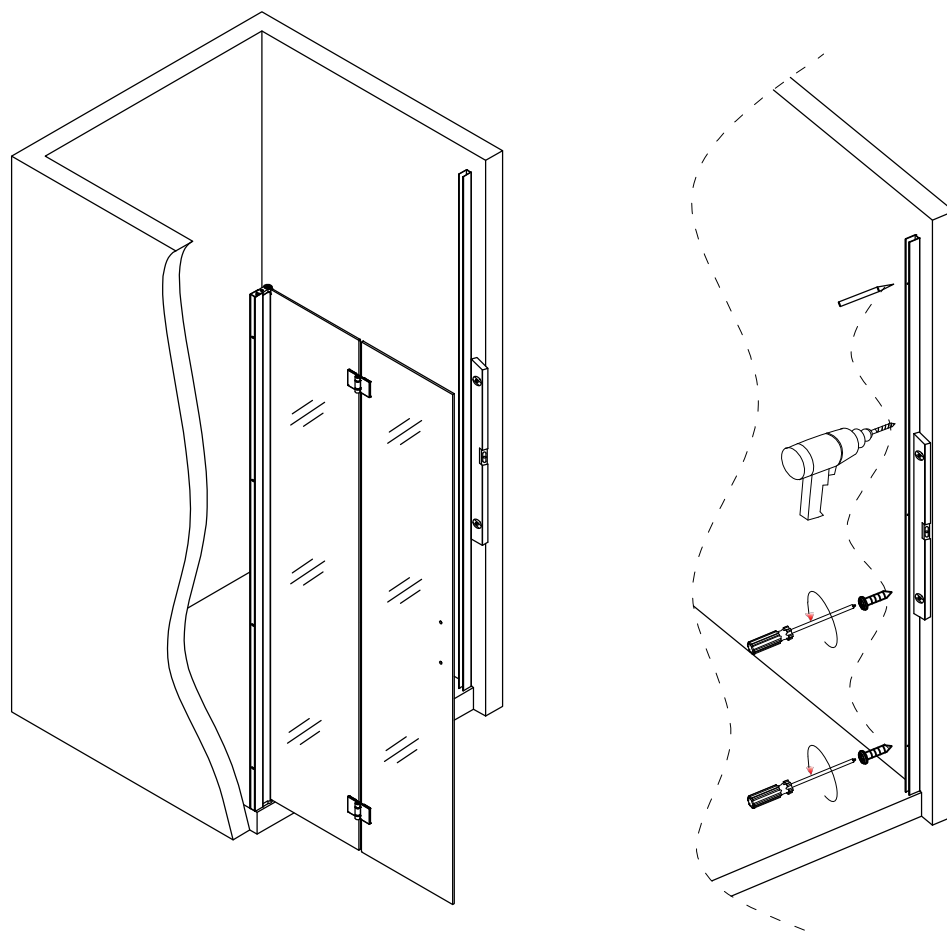
Step 3

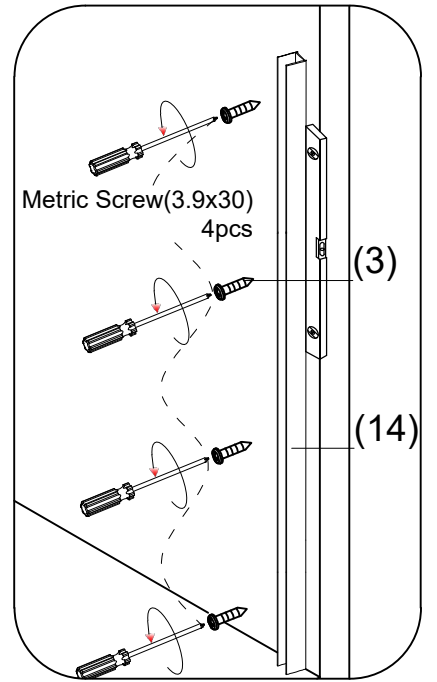
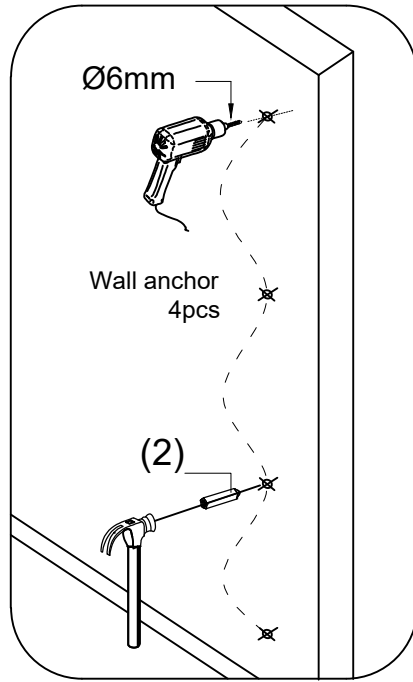
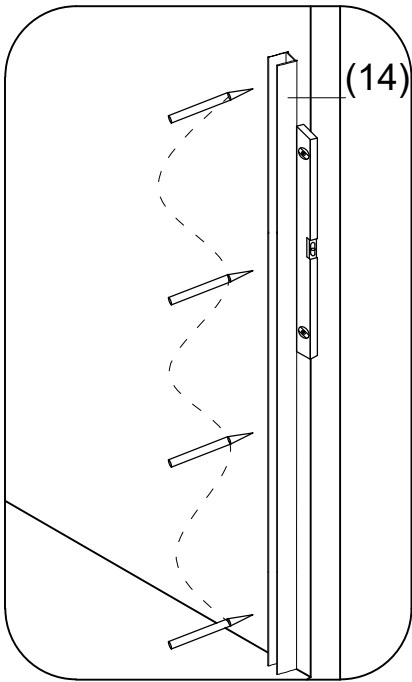


Step 4

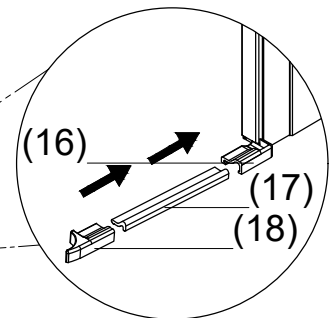
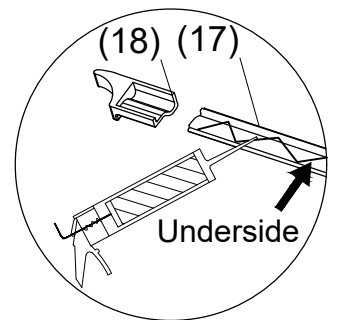
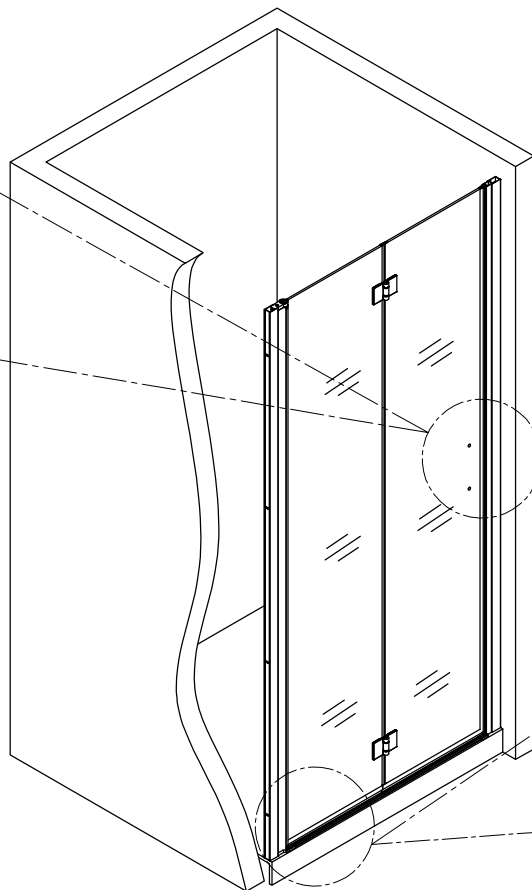
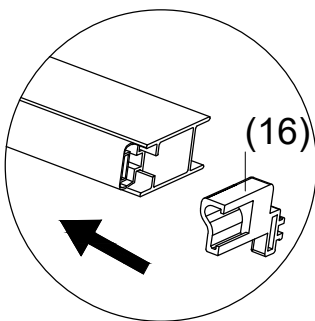
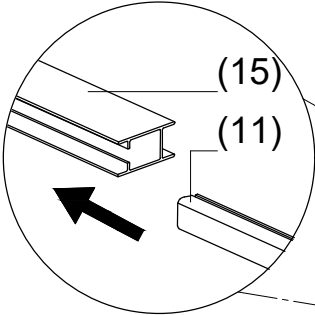


Step 5

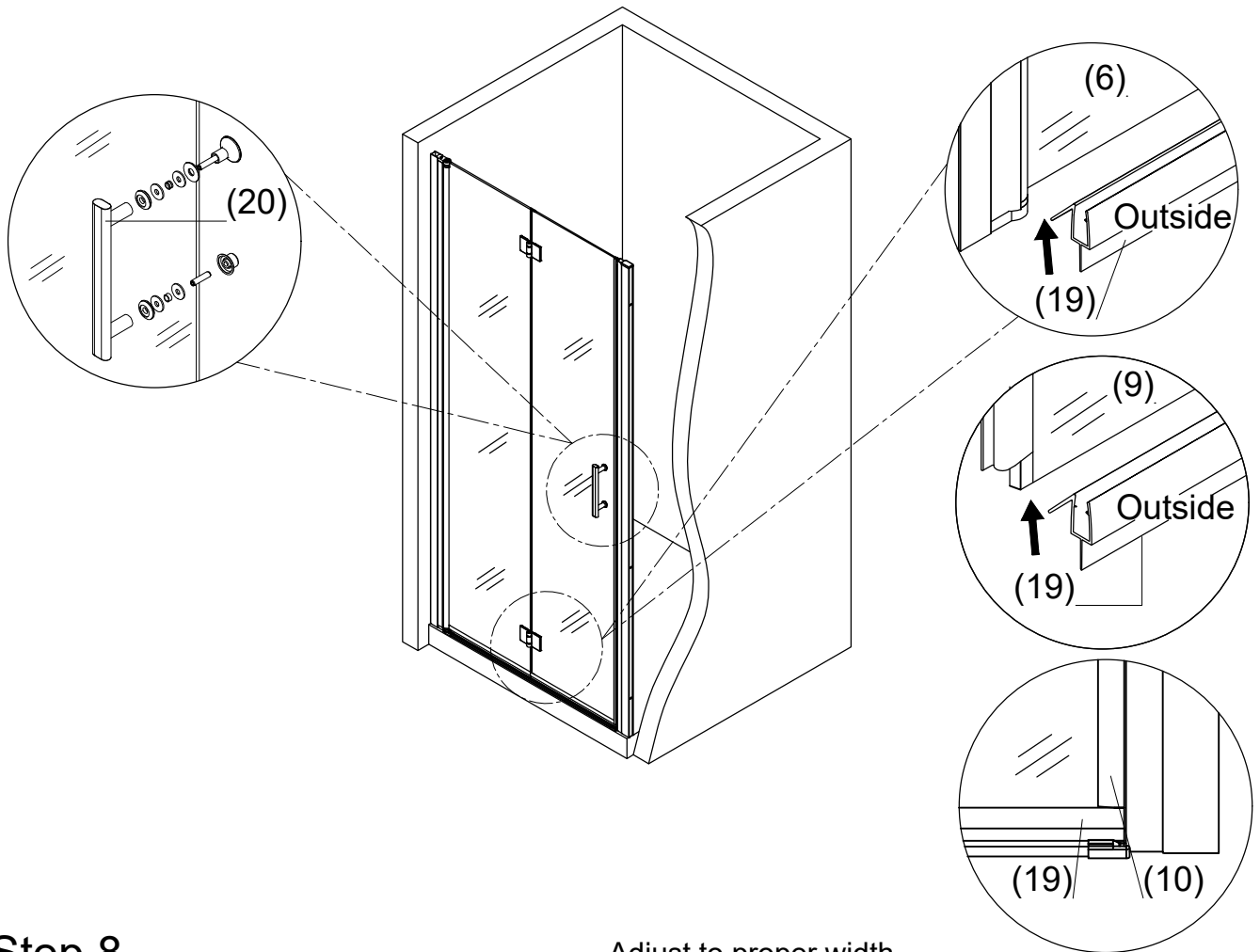




Step 6

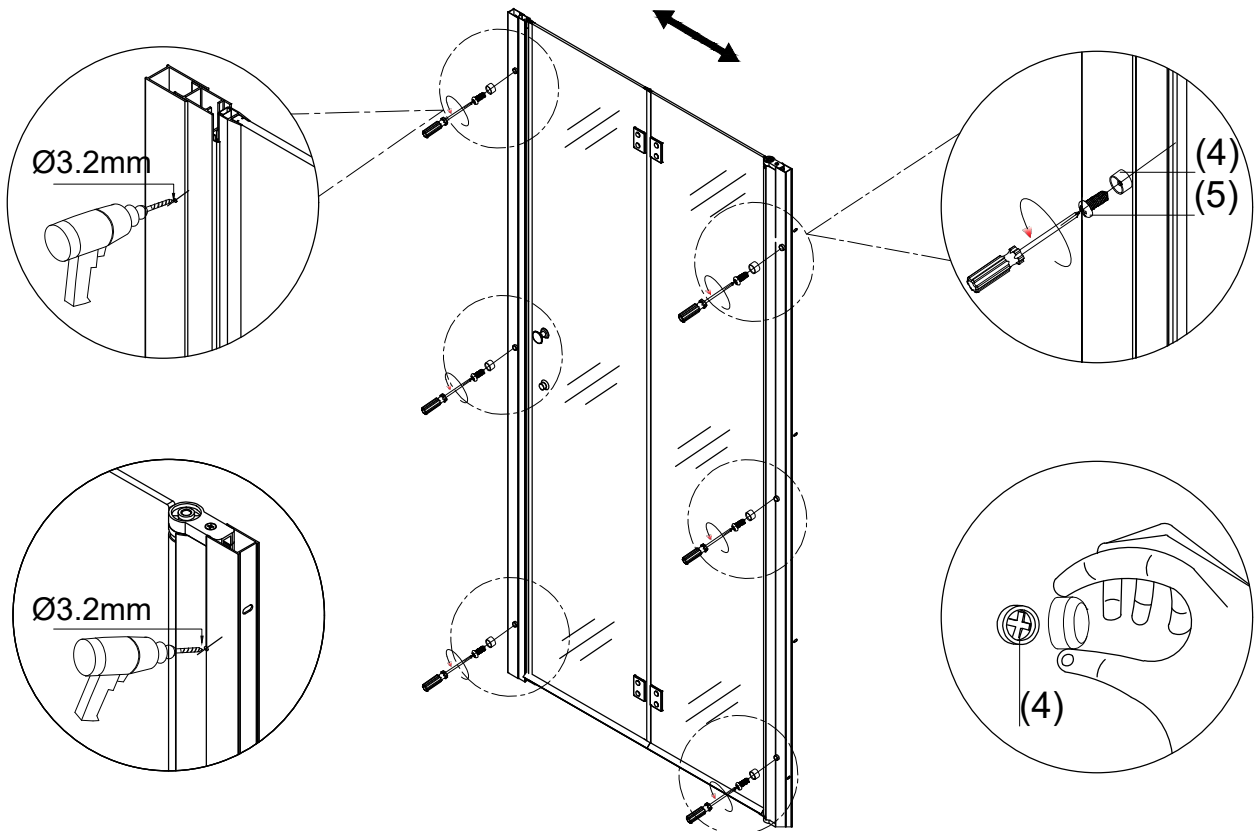


Step 7

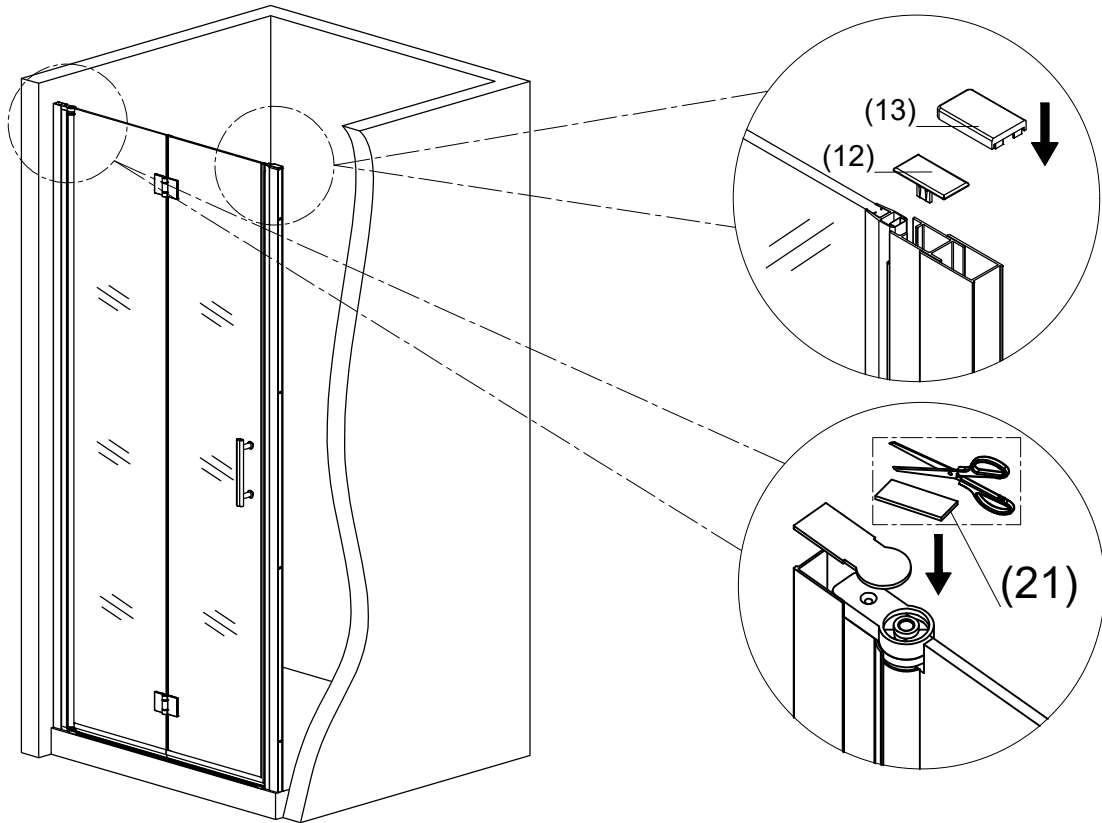


Step 8

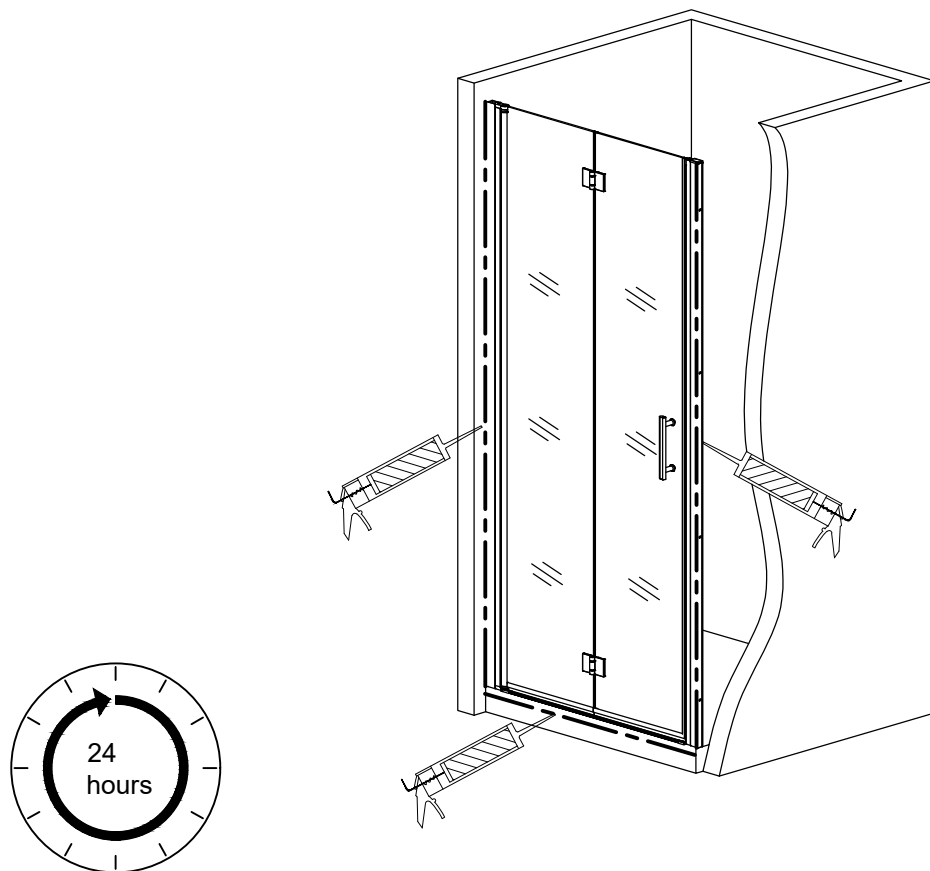
Adjust to proper width



Step 9

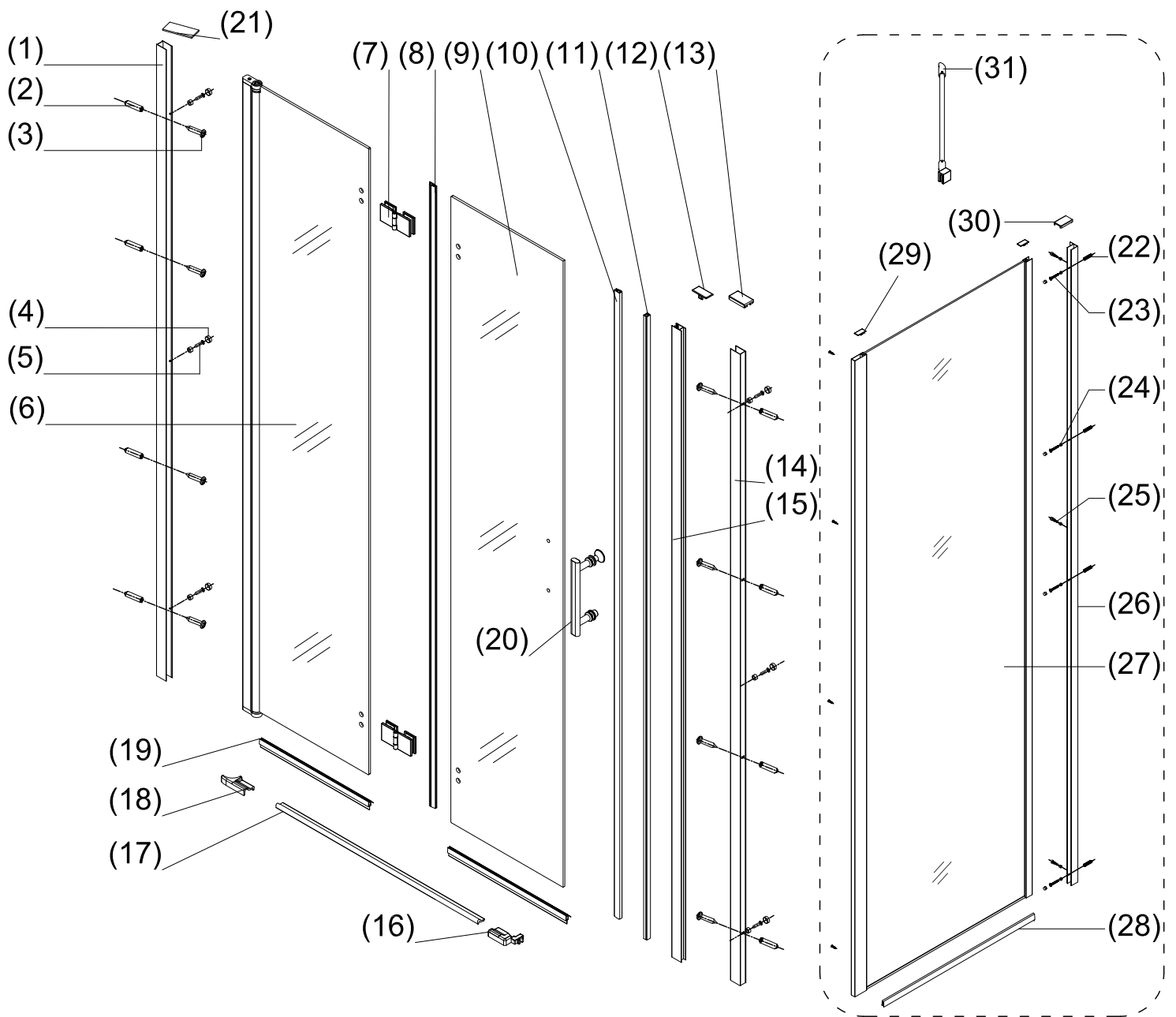


Step 10



Allow 24 hours for silicone to dry before use.
Silicone on the outside edge only

ASSEMBLY INSTRUCTIONS-DRAWING

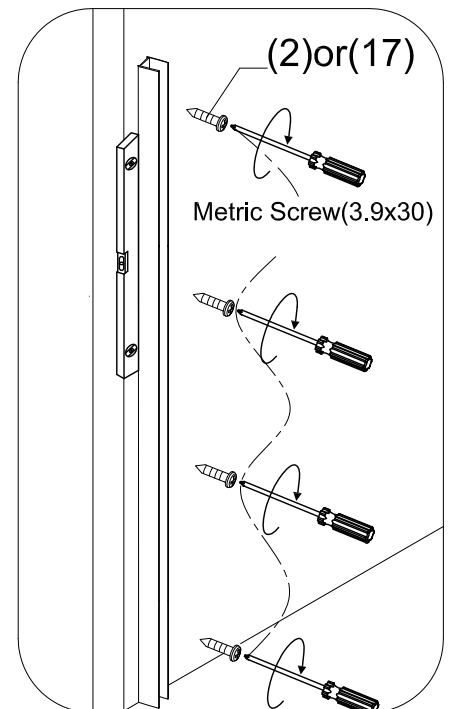
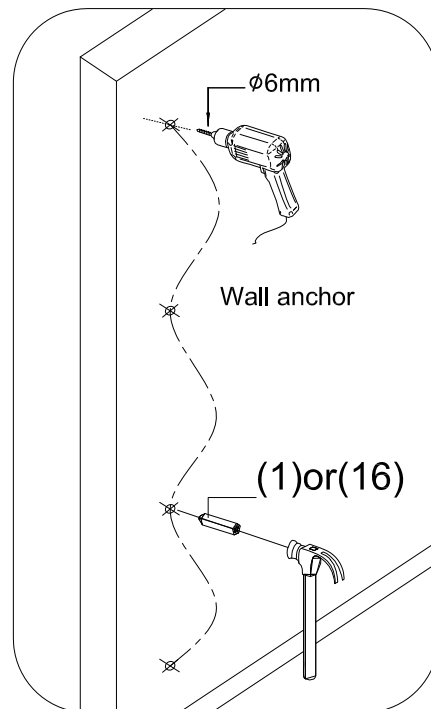
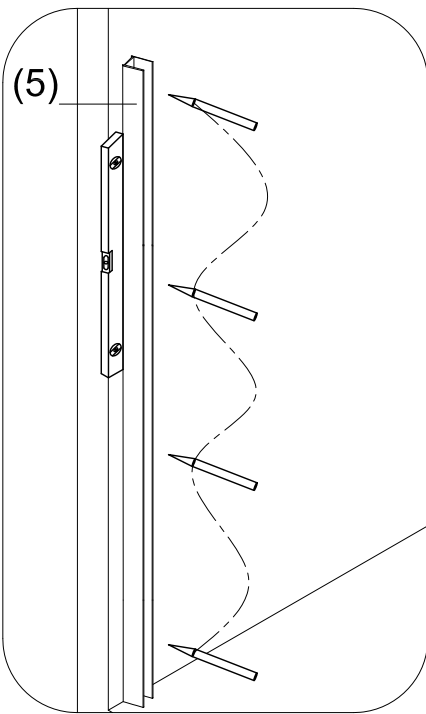
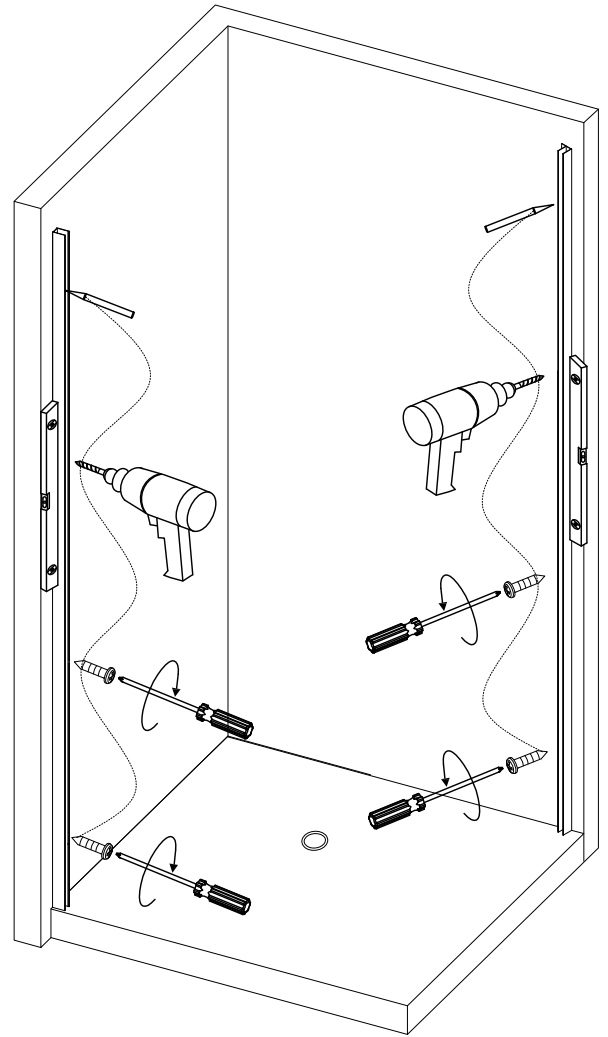


NO.	Description	QTY	Diagram
1	Wall jamb	1	
2	Wall anchor	8	
3	Metric Screw(3.9x30)	8	
4	Screw cover cap	6	
5	Metric Screw(3.9x10)	6	
6	Glass	1	
7	Hinge	2	
8	Water retaining rubber strip	1	

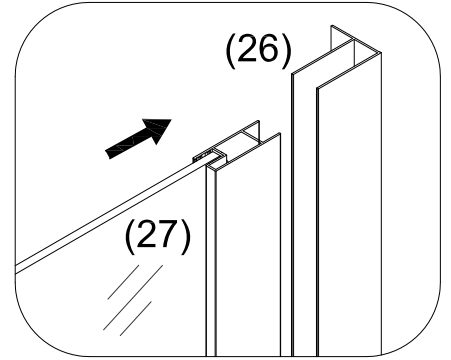
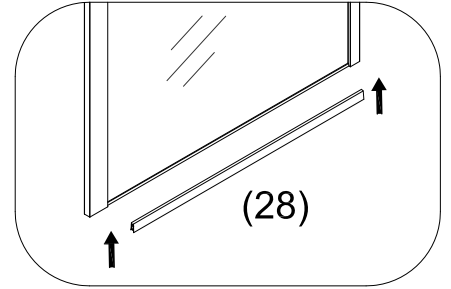
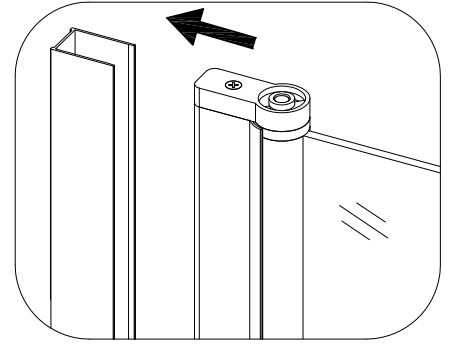
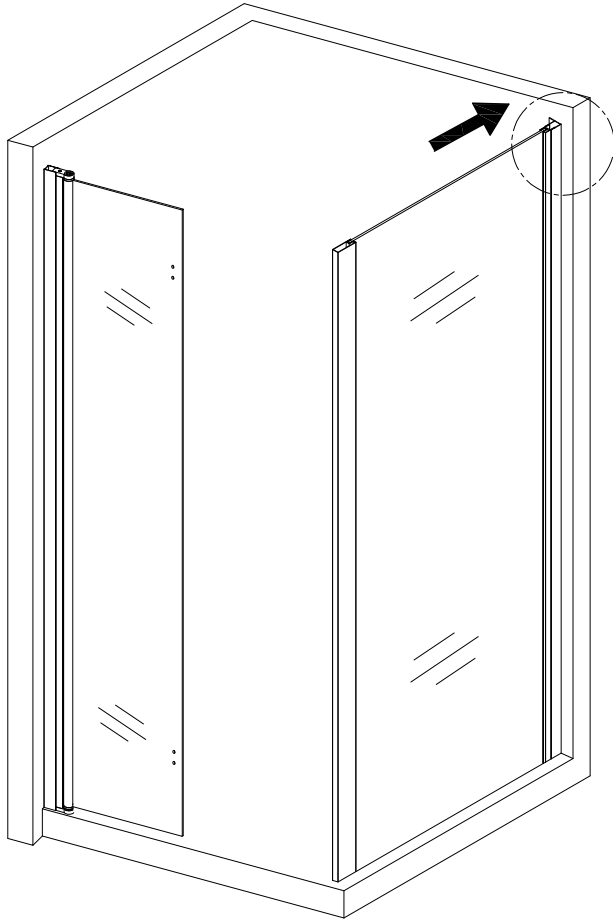
NO.	Description	QTY	Diagram
9	Glass	1	
10	Magnetic adhesive strip	1	
11	Magnetic adhesive strip	1	
12	Decorative cover	1	
13	Decorative cover	1	
14	Wall jamb	1	
15	Wall jamb	1	
16	Water retaining block	2	

NO.	Description	QTY	Diagram
17	Water retaining aluminium strip	1	
18	Water retaining block	2	
19	Water retaining rubber strip	2	
20	Handle	1	
21	Decorative cover	1	

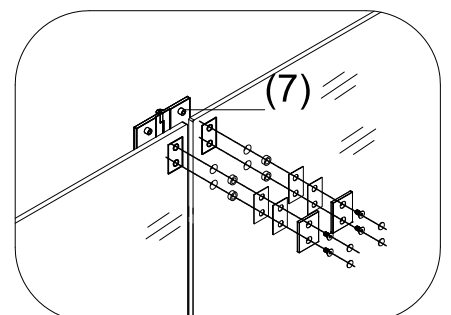
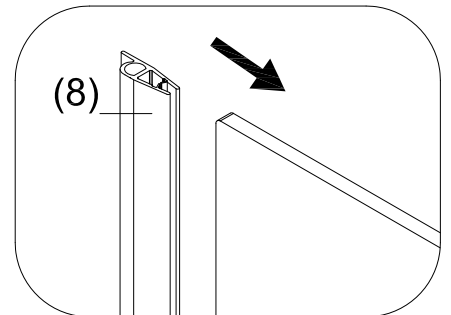
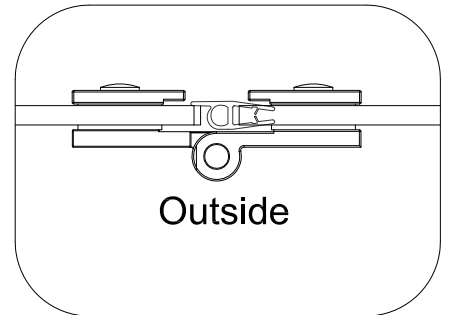
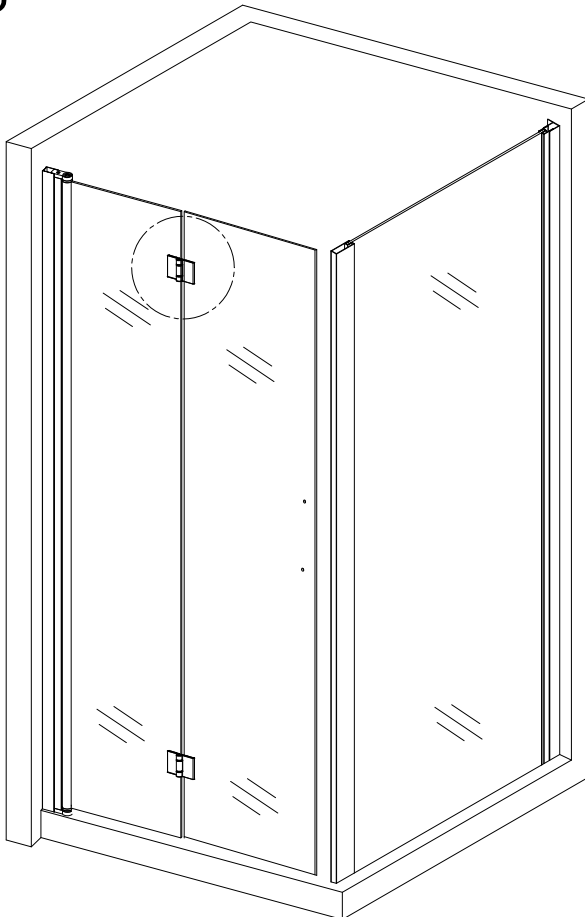
22	Wall anchor	4	
23	Metric Screw(3.9x30)	4	
24	Screw cover cap	7	
25	Metric Screw(3.9x10)	7	
26	Wall jamb	1	
27	Side glass	1	
28	Protective tape	1	
29	Decorative cover A	2	
30	Decorative cover B	1	
31	Support Bar	1	



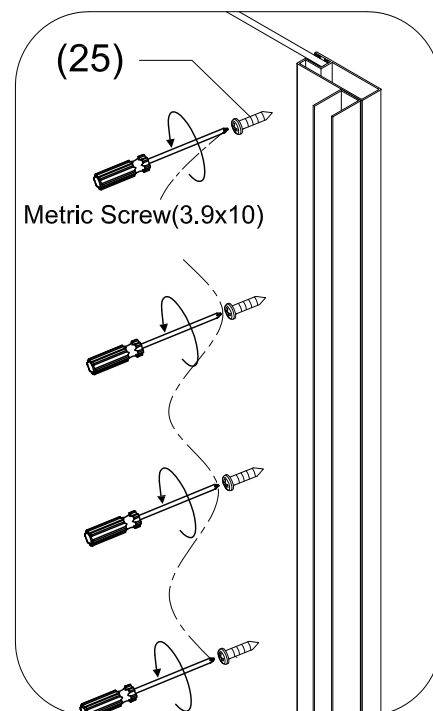
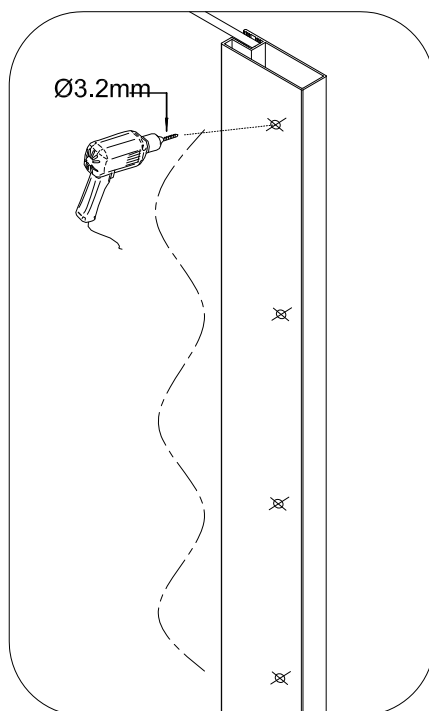
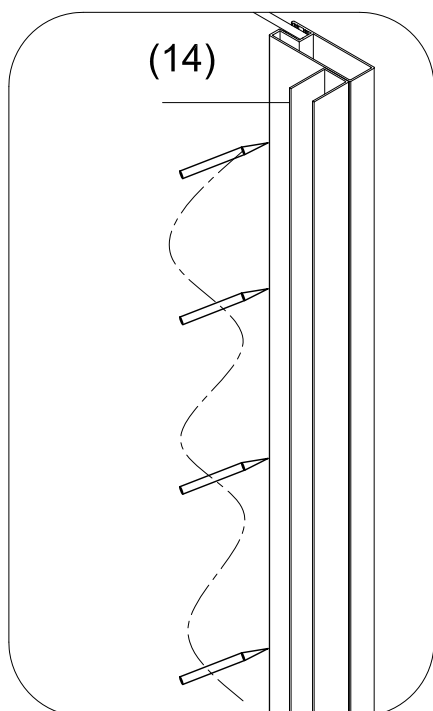
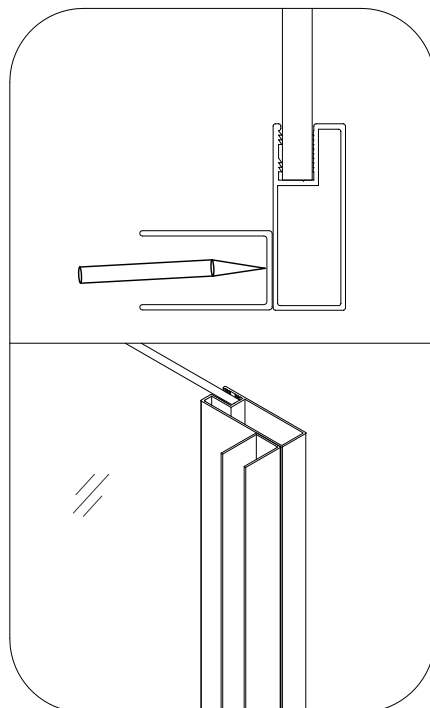
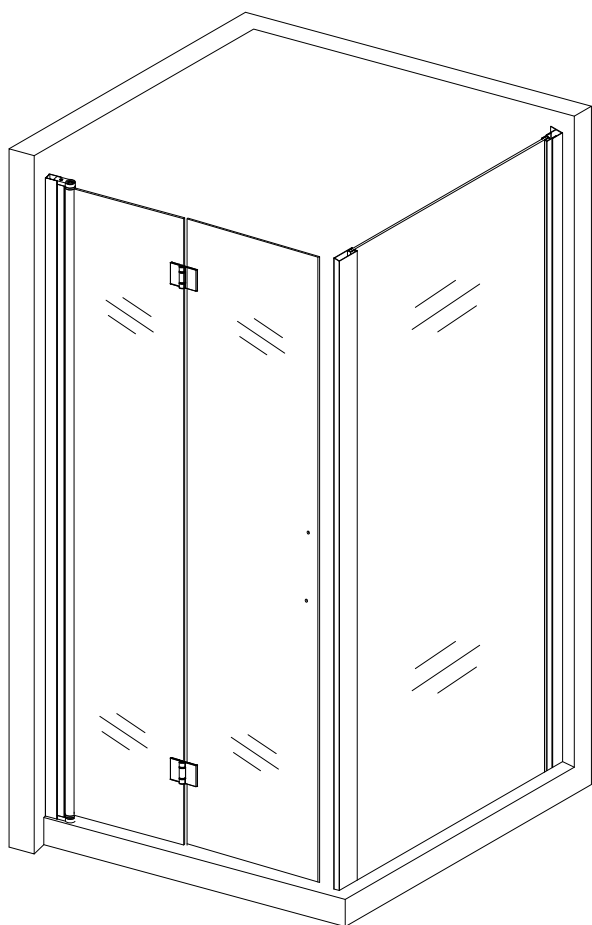
Step 2



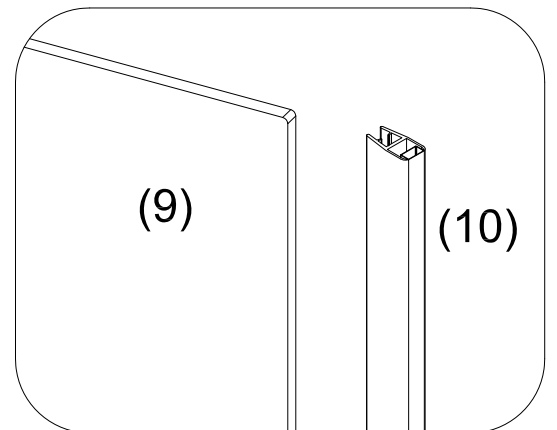
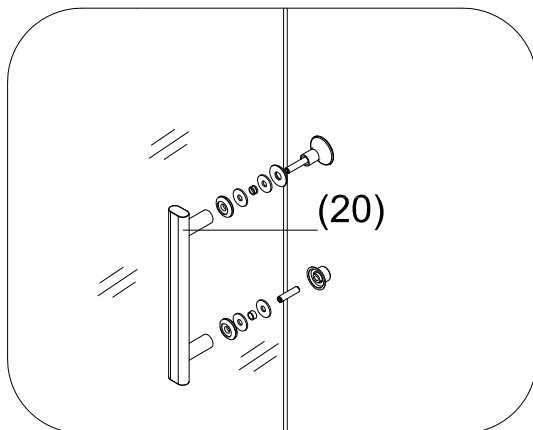
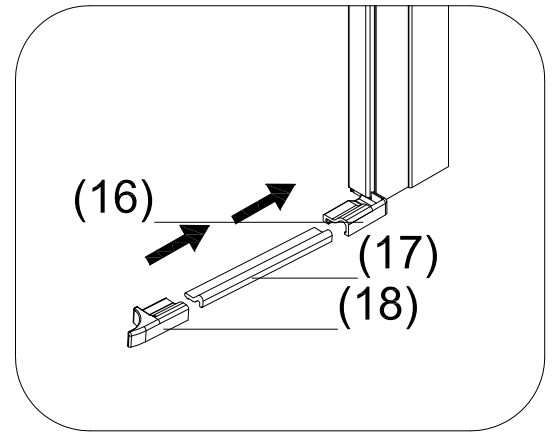
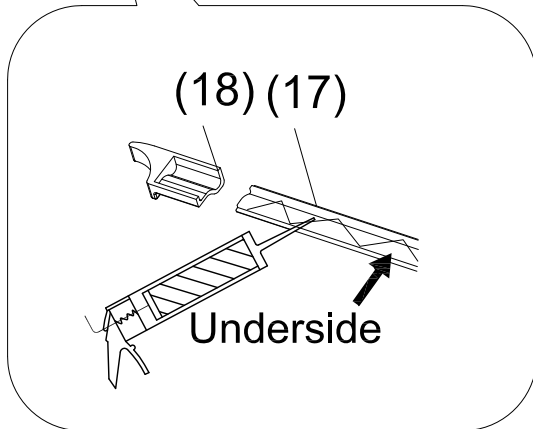
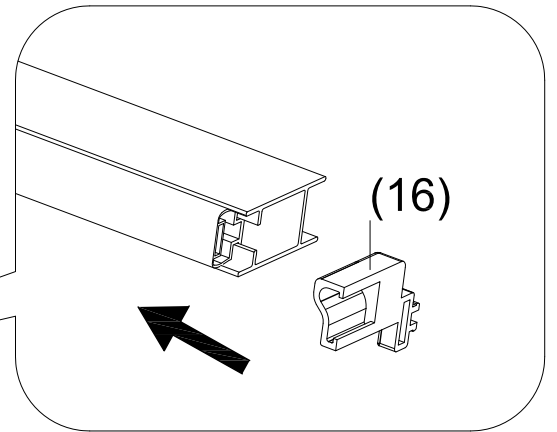
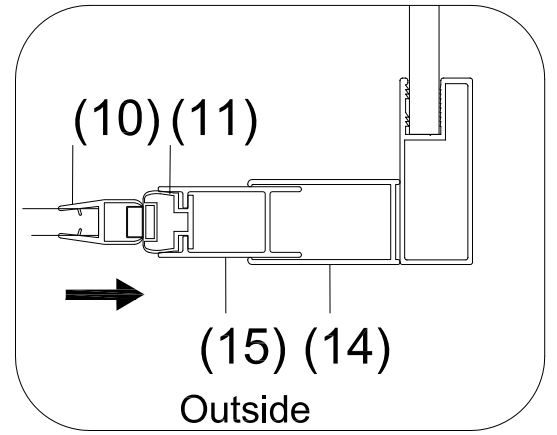
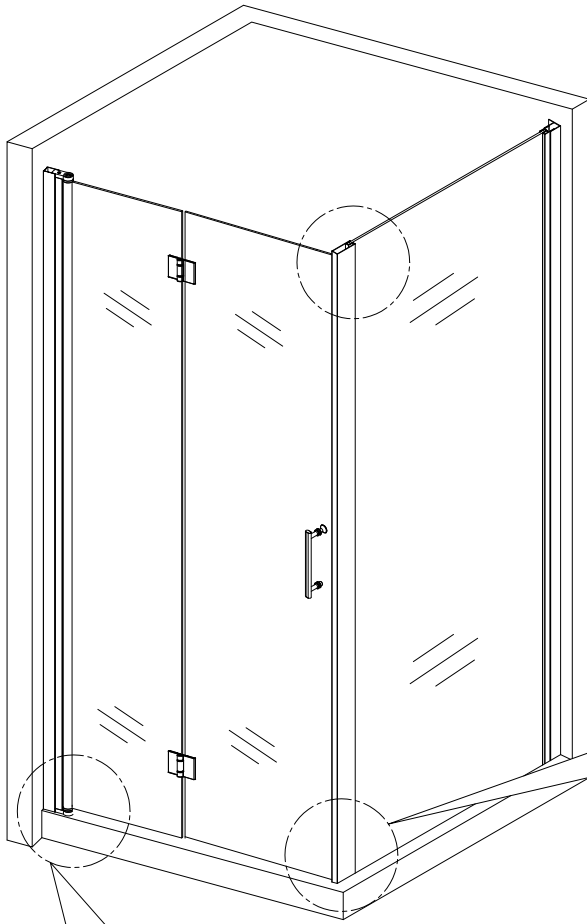
Step 3



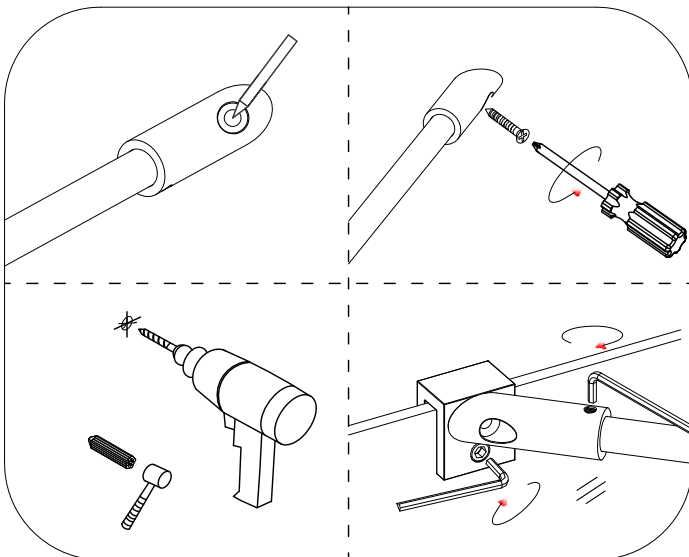
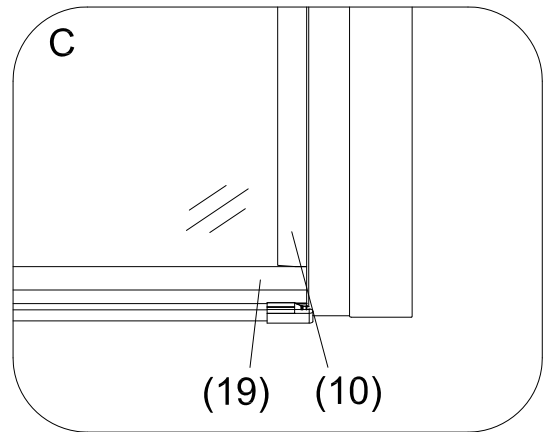
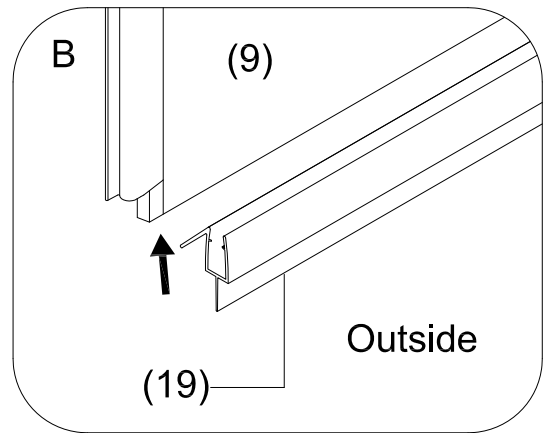
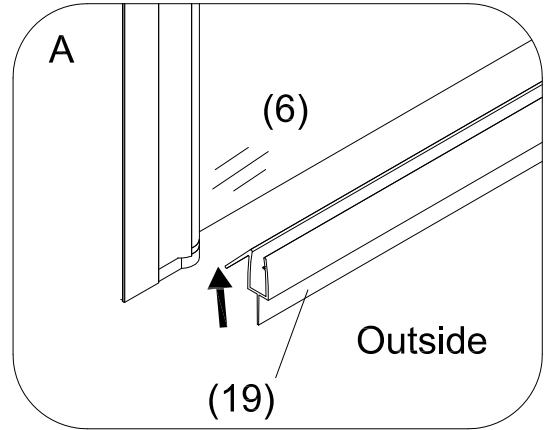
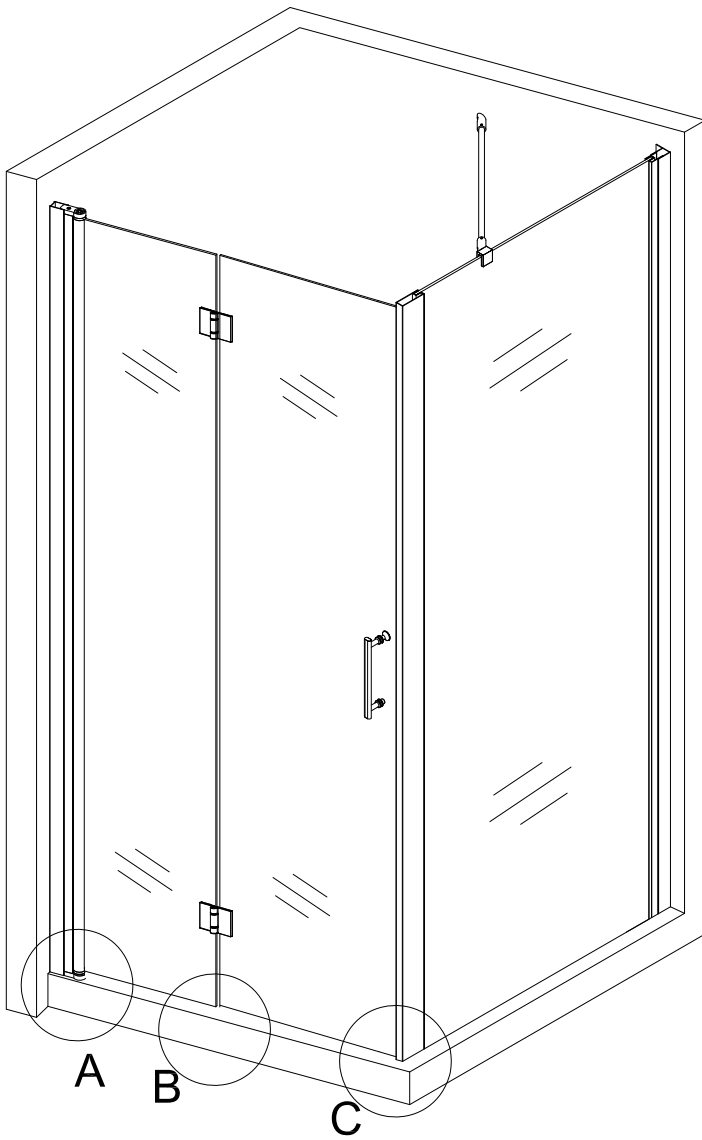
Step 4



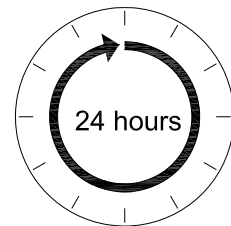
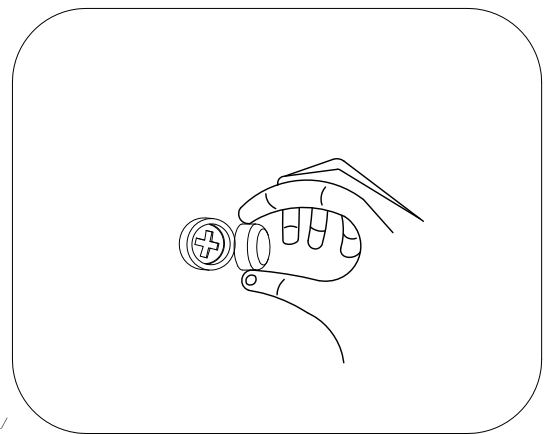
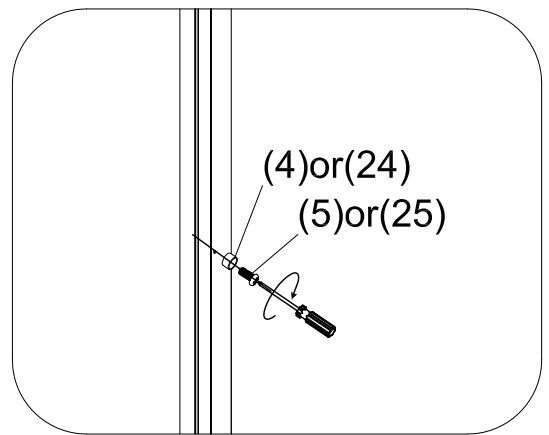
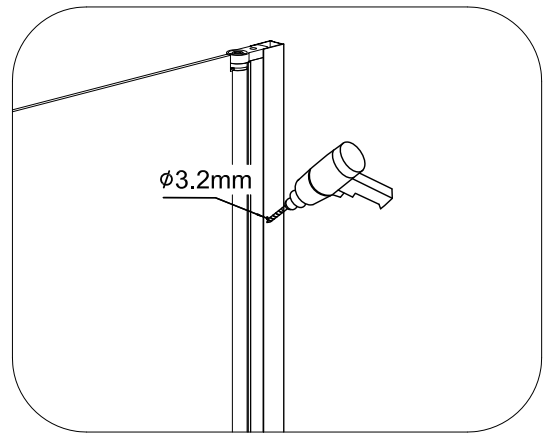
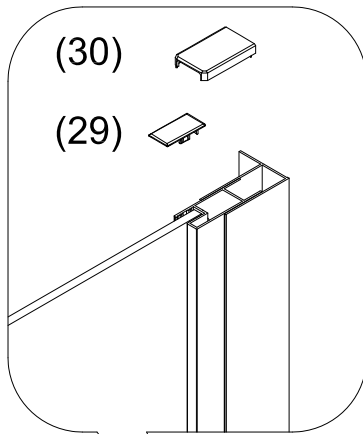
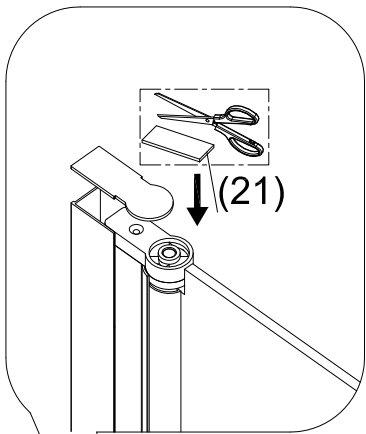
Step 5



Step 6



Step 7



Allow 24 hours for silicone to dry before use.
Silicone on the outside edge only

