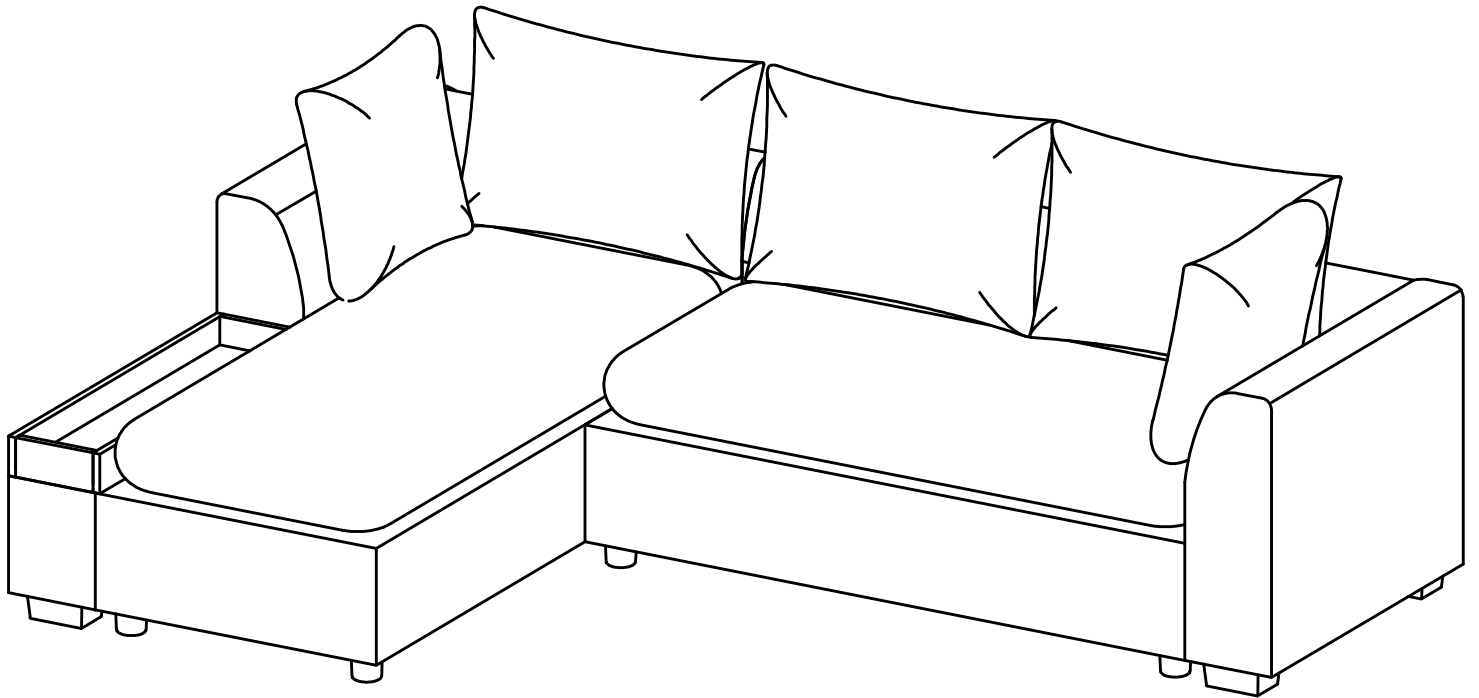
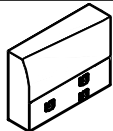
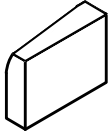
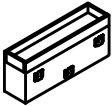



# ASSEMBLY INSTRUCTION


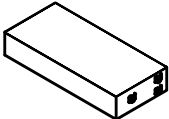
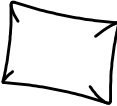
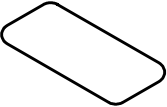





ITEM NO.: N719P272830 - N719P272831 - N719P272832



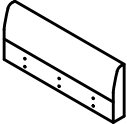
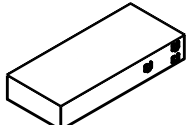
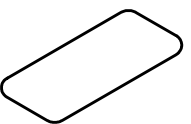
### N719P272830 - COMPONENT LIST

NO.	DRAWING	QTY	DESCRIPTION
(A)		1	Left Arm
(B)		1	Right Arm
(C)		1	Arm
(D)		2	Pillow

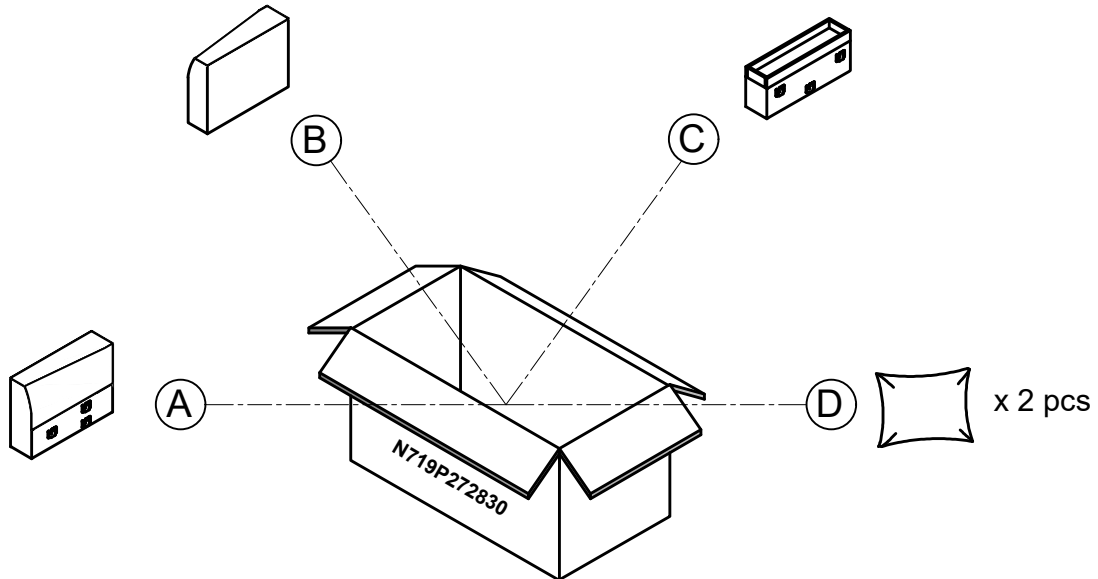
### N719P272831 - COMPONENT LIST

NO.	DRAWING	QTY	DESCRIPTION
(E)		1	Chaise Backrest
(F)		1	Loveseat Body
(G)		3	Back Cushion
(H)		1	Loveseat Cushion
(I)		6	Square Legs
(J)		6	Round Legs
(K)		22	Bolt 5/16" x 50mm
(L)		10	Flat Washer Ø8 5/16"
(M)		1	Allen Key

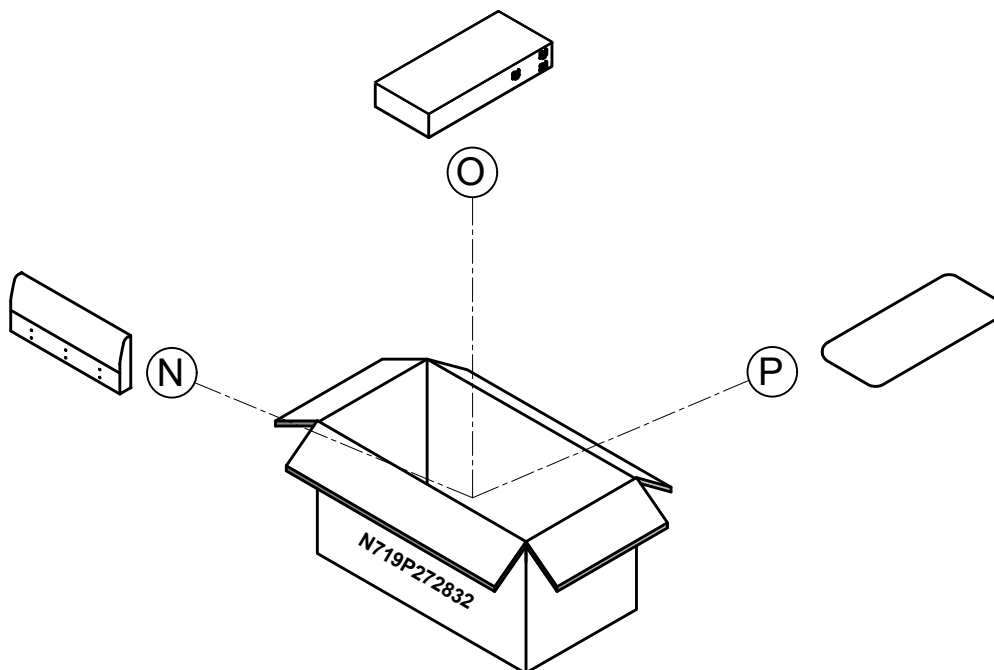
# N719P272832 - COMPONENT LIST

NO.	DRAWING	QTY	DESCRIPTION
Ⓝ		1	Loveseat Backrest
Ⓞ		1	Chaise Body
Ⓟ		1	Chaise Cushion

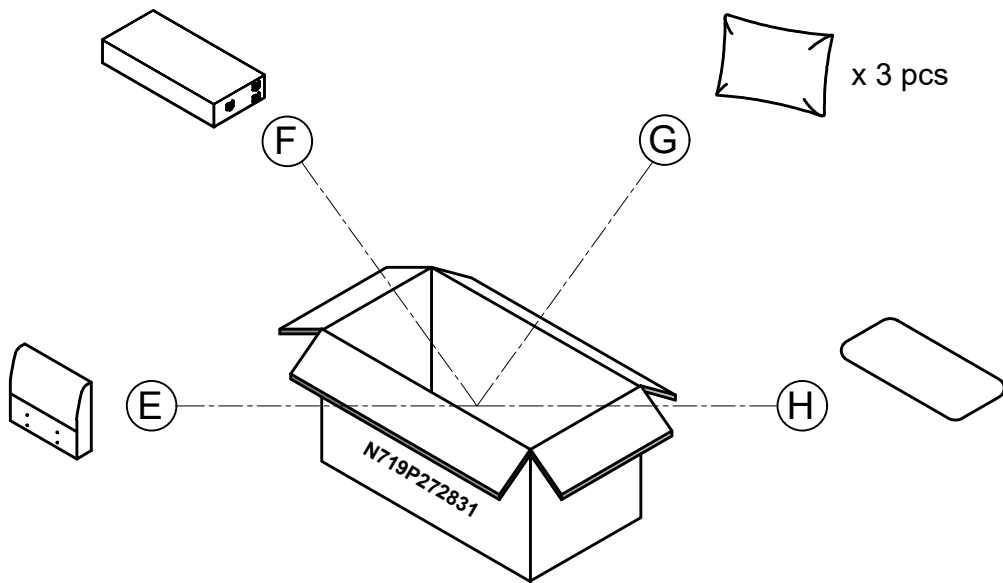
\* Take out the ⓐ ⓑ ⓒ ⓓ



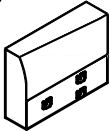
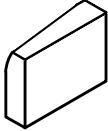
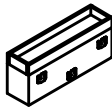


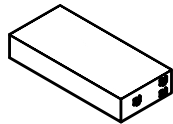
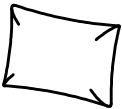
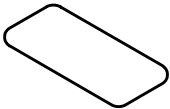





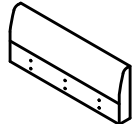
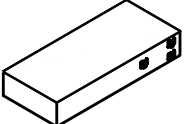
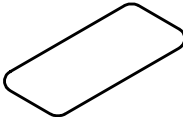
\* Take out the Ⓝ Ⓞ Ⓟ

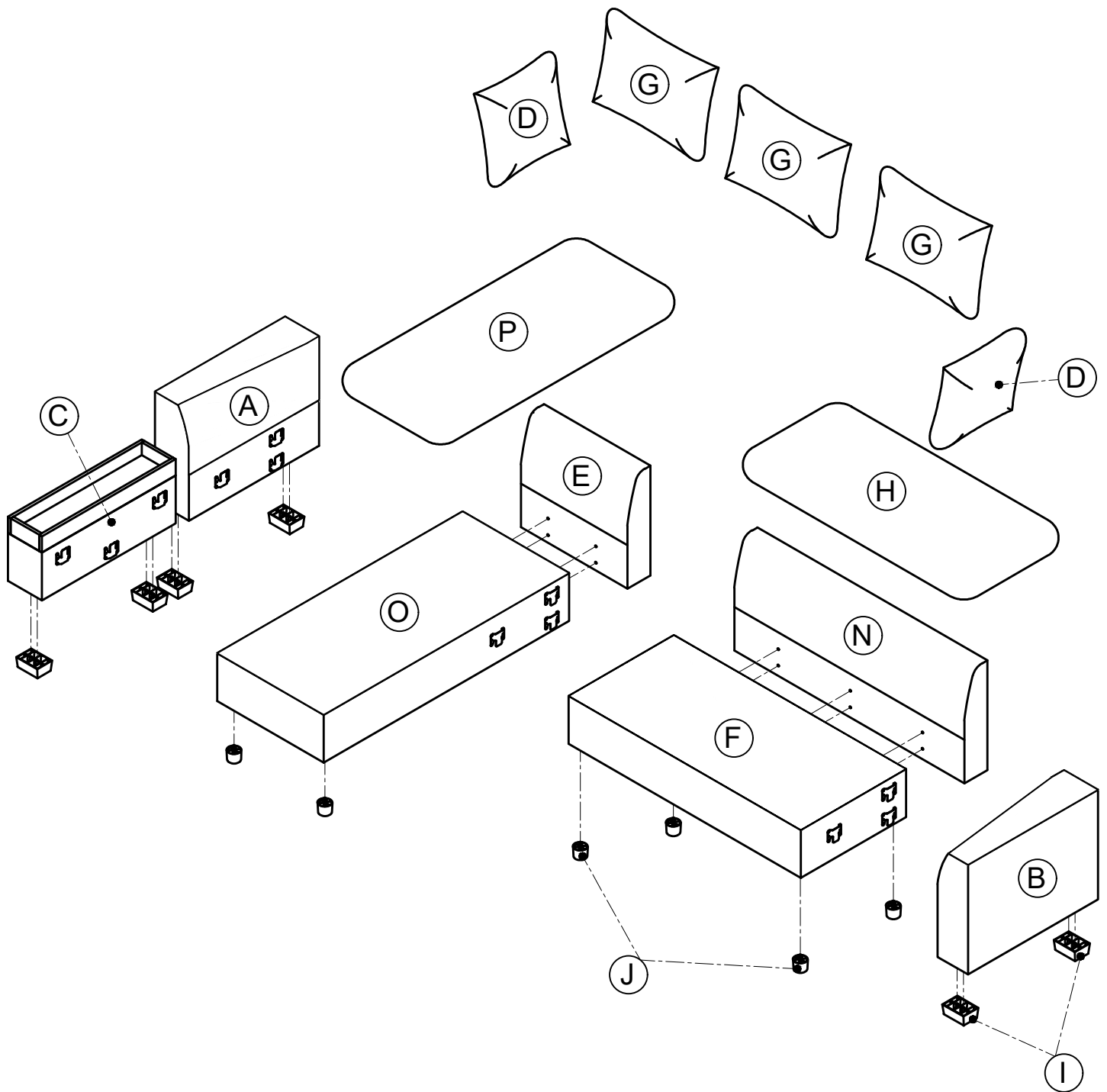


\* Take out the (E) (F) (G) (H) (I) (J) (K) (L) (M)

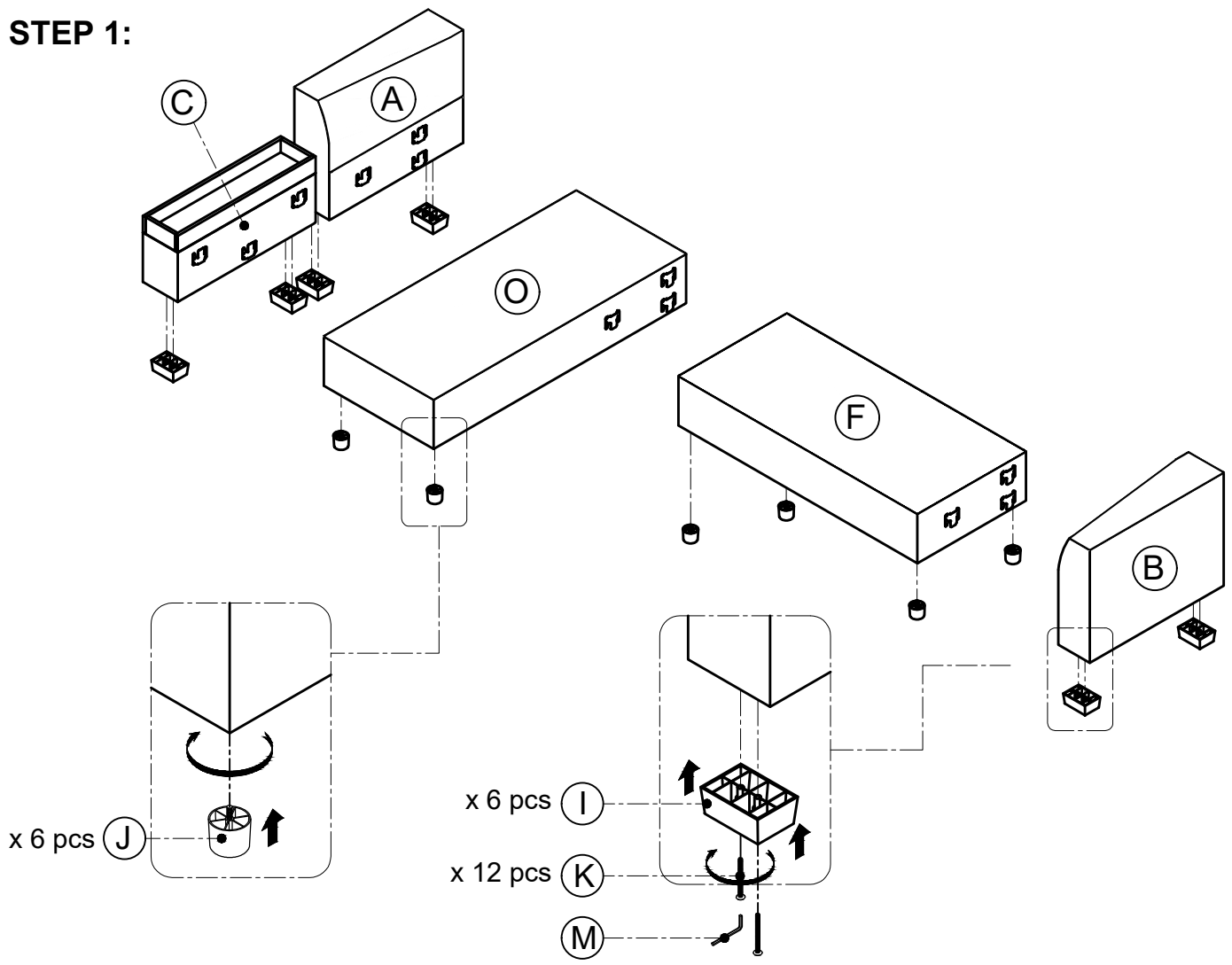


### PARTS LIST

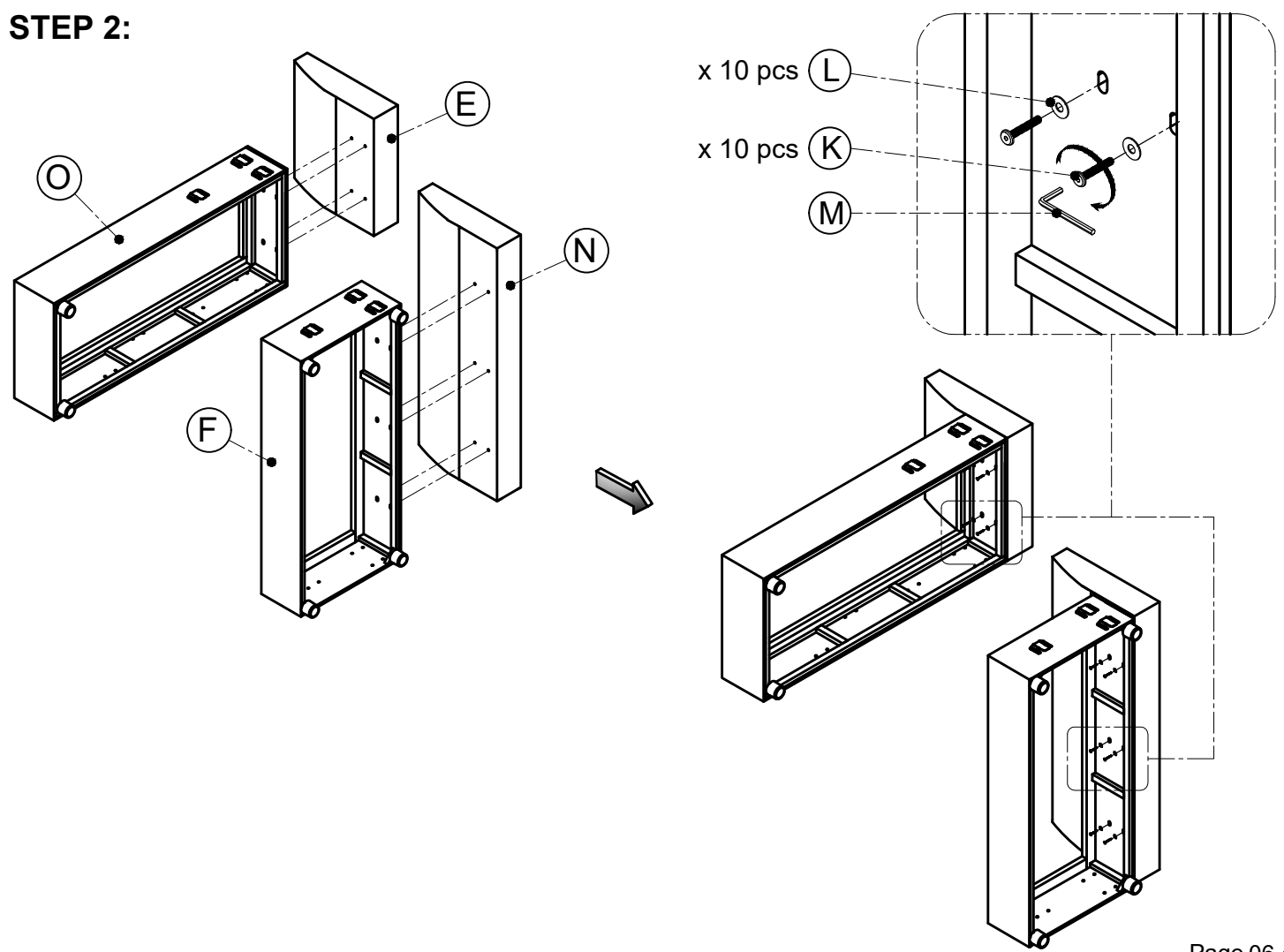
<p>(A) </p> <p>Left Arm x 1 pc</p>	<p>(B) </p> <p>Right Arm x 1 pc</p>	<p>(C) </p> <p>Arm x 1 pc</p>	<p>(D) </p> <p>Pillow x 2 pcs</p>	<p>(E) </p> <p>Chaise Backrest x 1 pc</p>	<p>(F) </p> <p>Loveseat Body x 1 pc</p>	<p>(G) </p> <p>Back Cushion x 3 pcs</p>
<p>(H) </p> <p>Loveseat Cushion x 1 pc</p>	<p>(I) </p> <p>Square Legs x 6 pcs</p>	<p>(J) </p> <p>Round Legs x 6 pcs</p>	<p>(K) </p> <p>Bolt 5/16" x 50mm x 22 pcs</p>	<p>(L) </p> <p>Flat Washer Ø8 5/16" x 10 pcs</p>	<p>(M) </p> <p>Allen Key x 1 pc</p>	<p>(N) </p> <p>Loveseat Backrest x 1 pc</p>
<p>(O) </p> <p>Chaise Body x 1 pc</p>	<p>(P) </p> <p>Chaise Cushion x 1 pc</p>					



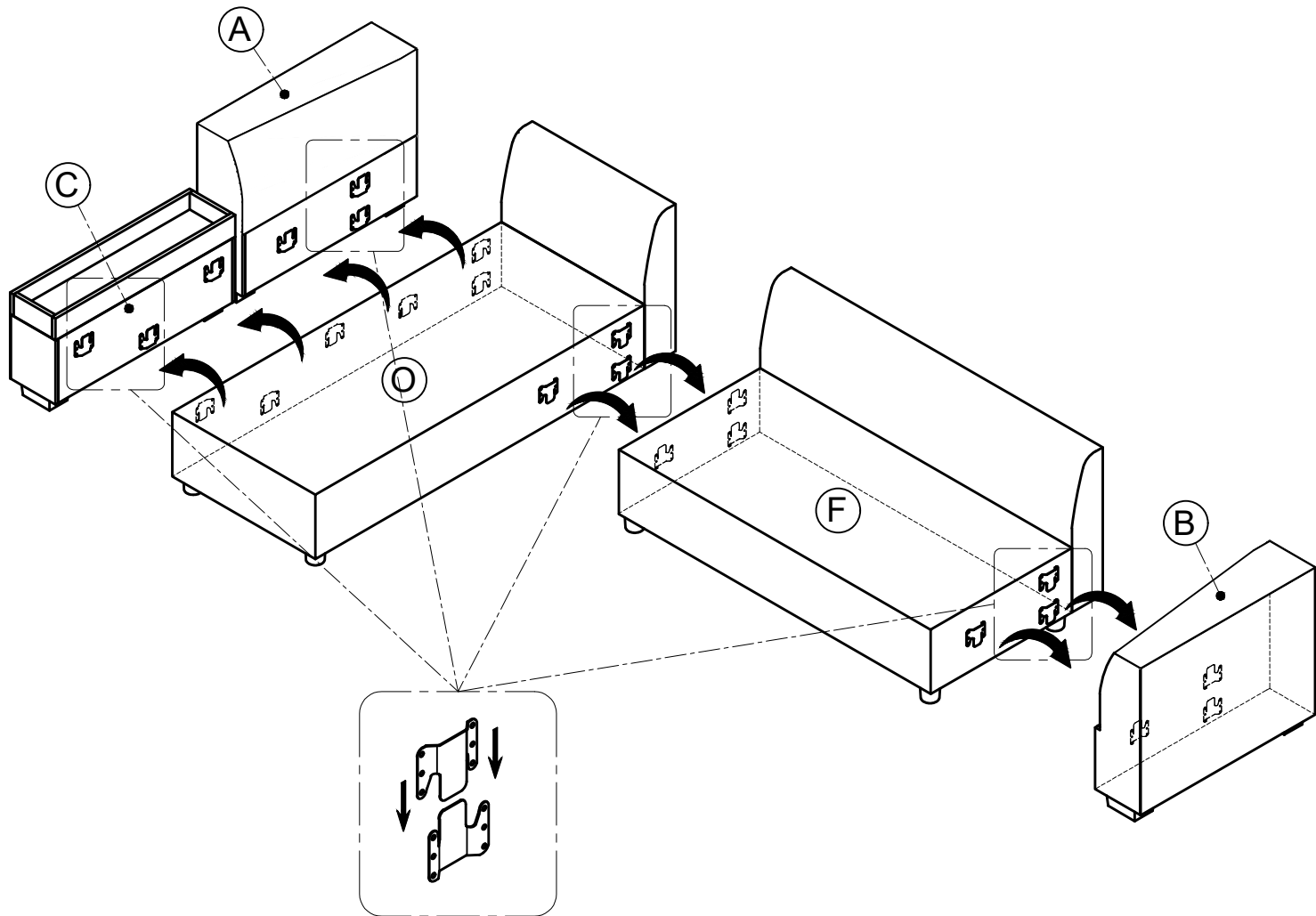
**STEP 1:**



**STEP 2:**



**STEP 3:**



## Helpful Hints

- Sofa bed can transform into a sleeper.
- Move your new furniture carefully, with two people lifting and carrying the unit to its new location.
- Your furniture can be disassembled and reassembled to move.
- Clean the product with a soft damp cloth. DO NOT use harsh chemicals or abrasive cleaners.

## COMPLETED

