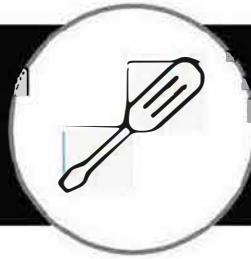
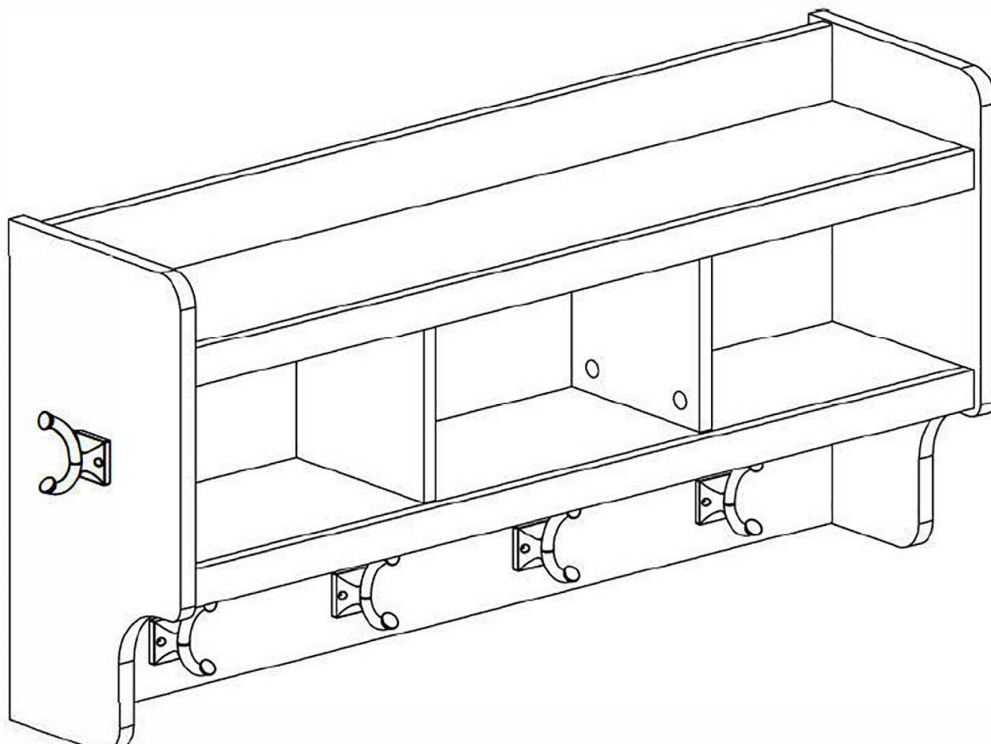


Assembly Guide



Wall Mounted Coat Rack



Keep manual for future reference.

IT'S AS EASY AS 1,2,3

Assembly tips:

1. Read the instructions and become familiar with the parts.
2. Ensure this carton contains all parts, fasteners and hardware.
3. To protect floors, assemble the furniture on the carton.
4. An assistant may be helpful.
5. Use of power tools is not recommended.

Conseils d'assemblage:

1. Lisez les instructions et familiarisez-vous avec les pièces.
2. Assurez-vous que le carton contient toutes les pièces, toutes les pièces de fixation et toute la quincaillerie.
3. Pour protéger vos sols, assemblez le meuble sur le carton.
4. Il peut être utile de vous faire aider.
5. L'utilisation d'outils électriques n'est pas recommandée.

Consejos de Ensamblaje:

1. Lea las instrucciones y familiarícese con las partes.
2. Asegúrese de que esta caja contenga todas las piezas, los sujetadores y el equipo.
3. Para proteger el piso, ensamble el mueble en el carton.
4. Un asistente puede serle útil.
5. El uso de herramientas eléctricas no se recomienda.

Get Ready to Assemble

For best results, keep these tips in mind:

- ① We know you want to finish this assembly as quickly as possible, but trust us: you'll have a better experience if you take it one step at a time.
- ② Give yourself some room to work near where you want the fully assembled product.
- ③ If your floor isn't carpeted, assemble this product on the empty carton to avoid scratching.
- ④ Do you have a friend who owes you a favor? Some steps may go a little easier with a second set of hands.

DOs

- ✔ Use a #2 Phillips head screwdriver (or other handheld tools as indicated).
- ✔ Wear safety glasses at all times during assembly.
- ✔ Carefully follow the instructions in this guide and complete all steps in order.
- ✔ Give us a call if you're having trouble with a particularly tricky step.
- ✔ Use Power drill and level.
- ✔ Verify product is in final position and level before drilling wall holes.

DON'Ts

- ✘ Do not attempt to use this product before all steps have been completed.

IMPORTANT SAFETY INFORMATION



PLEASE READ WARNINGS

Improper use can cause safety hazards, or damage to your furniture and household items.

Warning	Do	Don't	Why it's important
Serious injury may occur.	<ul style="list-style-type: none"> Assemble following all instructions using all indicated parts and hardware provided. Attach only to a wall using installer provided hardware as described in the instructions. Verify furniture is stable on it's own. 	<ul style="list-style-type: none"> Do not move unit when loaded. Do not load with a television or other heavy equipment. Do not exceed the maximum load limits stated in the instructions. Do not allow children to climb, or hang on furniture. 	Improper assembly, use or loading can lead to product instability, tip-over or collapse.

Advertencia	Hacer	No	Por qué es importante
Se pueden producir lesiones graves.	<ul style="list-style-type: none"> Ensamble siguiendo todas las instrucciones utilizando todas las piezas y ferretería indicados provistos. Sujételo solo a una pared utilizando el hardware provisto por el instalador como se describe en las instrucciones. Verifique que los muebles sean estables por sí mismos. 	<ul style="list-style-type: none"> No mueva la unidad cuando esté cargada. No cargue con un televisor u otro equipo pesado. No exceda los límites máximos de carga establecidos en las instrucciones. No permita que los niños se paren, trepen o cuelguen de muebles. 	El ensamblaje, uso o carga inadecuados pueden provocar inestabilidad del producto, vuelco o colapso.

Avertissement	Faire	Ne le fais pas	Pourquoi c'est important
Des blessures graves peuvent survenir.	<ul style="list-style-type: none"> Assemblez en suivant toutes les instructions en utilisant toutes les pièces et le matériel indiqués fournis. Fixez uniquement à un mur à l'aide du matériel fourni par l'installateur, comme décrit dans les instructions. Vérifiez que les meubles sont stables par eux-mêmes. 	<ul style="list-style-type: none"> Ne déplacez pas l'unité lorsqu'elle est chargée. Ne chargez pas avec un téléviseur ou un autre équipement lourd. Ne dépassez pas les limites de charge maximale indiquées dans les instructions. Ne laissez pas les enfants grimper ou s'accrocher aux meubles. 	Un assemblage, une utilisation ou un chargement incorrects peuvent entraîner une instabilité du produit, un renversement ou un effondrement.

Wall Anchoring Guide

If your wall material is not listed or if you have questions, consult with a local hardware retailer.

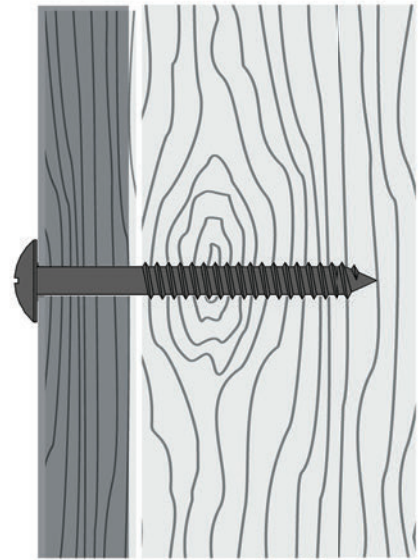
PREFERRED METHOD:

WALL MATERIAL

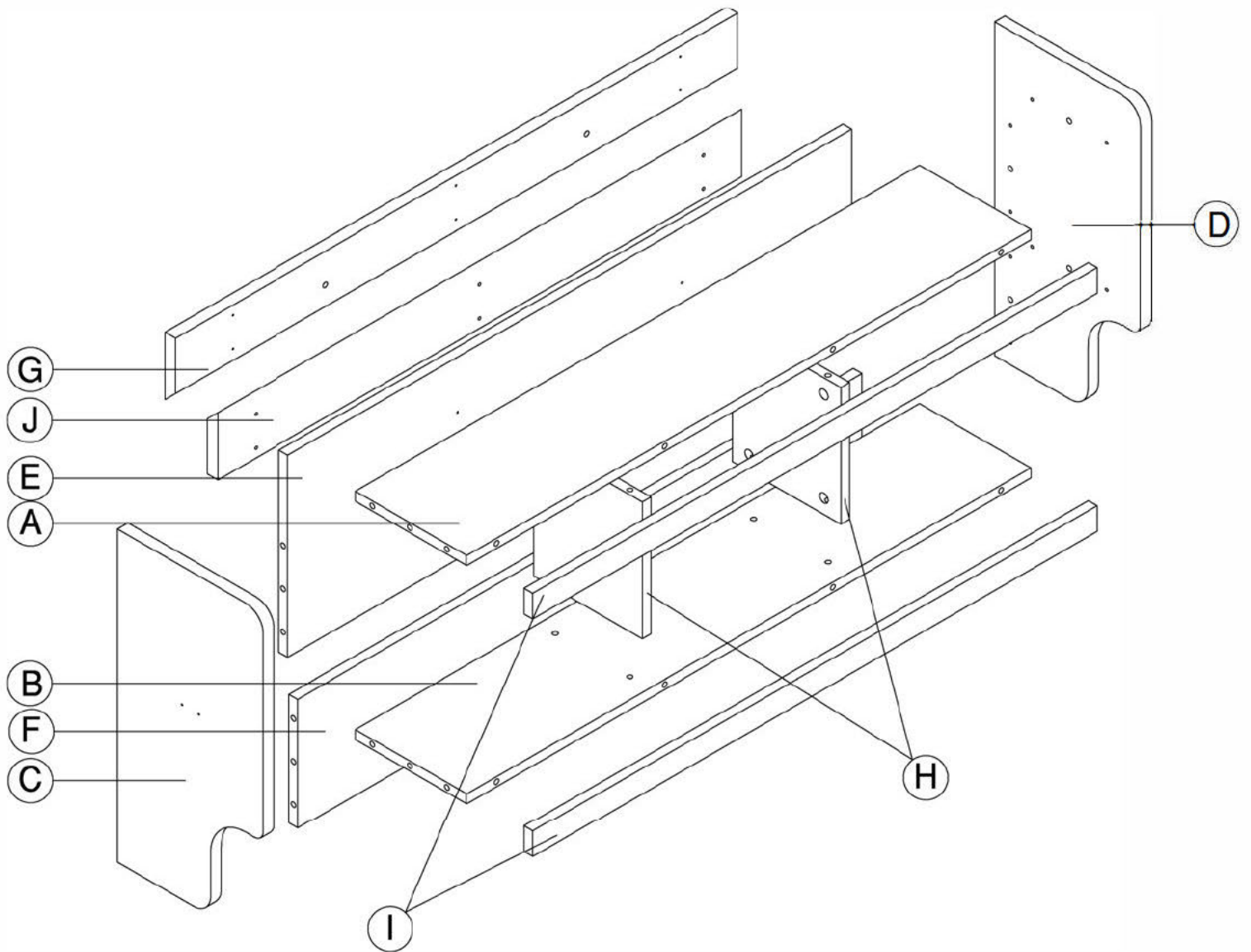
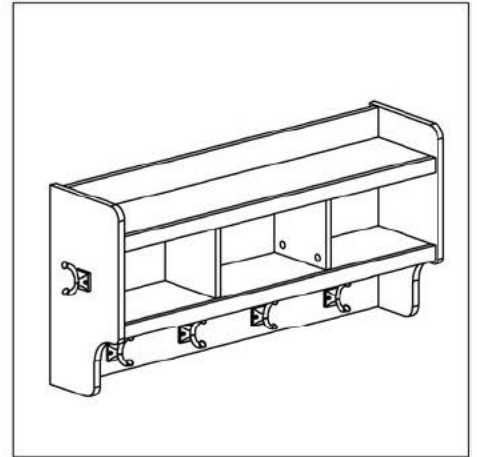
Drywall or plaster with available wood stud

ANCHORING DEVICE

Bush provided #10 x 2.5"
Truss-Head screw directly into wood wall stud.



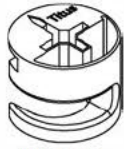
Get to know your Boards



Get to know your Fasteners

Fasteners are shown actual size.

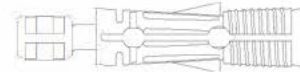
H181468



KD Cam

[32]

H171556



Quick Connect

[16]

H72988



KD Bolt

[16]

H38169



Wood Dowel
8 x 30mm

[11]

H135637



Wood Dowel
8 x 25mm

[2]

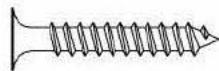
H23198



#10 x 1-1/2"

[2]

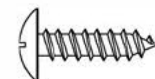
H158986



#8 x 1"

[6]

H182563

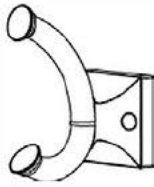


#8 x 5/8"

[12]

Get to know your Hardware

Hardware not to scale.



[6]

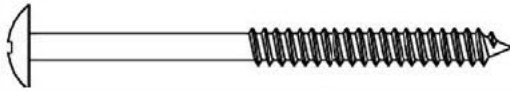
Hook



[24]

Cover Cap

H194287



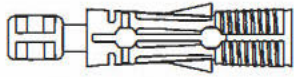
[6]

10 X 2.5 "

STEP 1

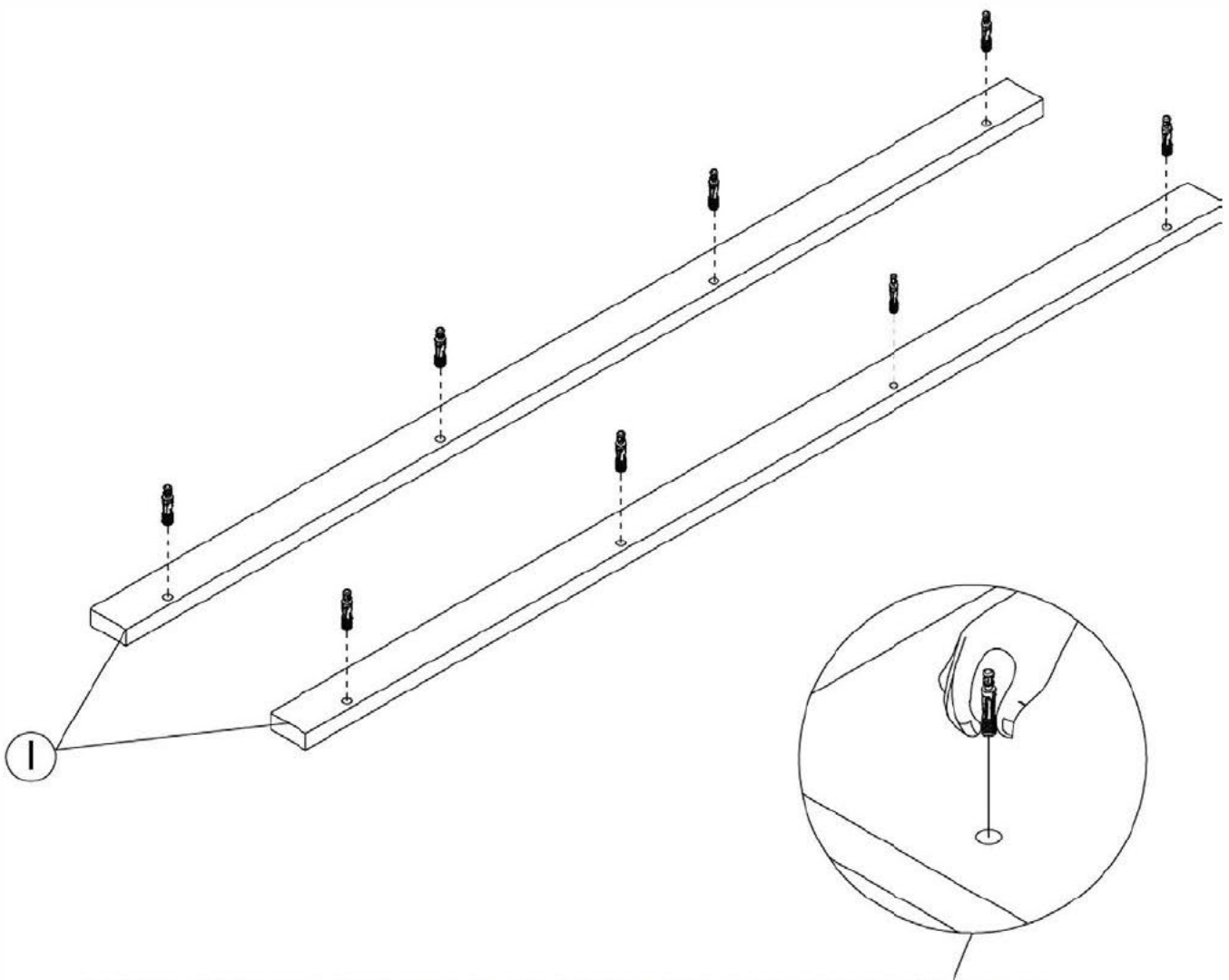
Prepare Panels

H171556



[8]

Quick Connect



MAY HAVE TO SQUEEZE PLASTIC TO INSERT INTO HOLE.
PUEDE TENER QUE APRETAR PLÁSTICO PARA INSERTAR EN EL AGUJERO.
PEUT AVOIR À PRESSER EN PLASTIQUE À INSÉRER DANS LE TROU.

STEP 2

Assemble Panels

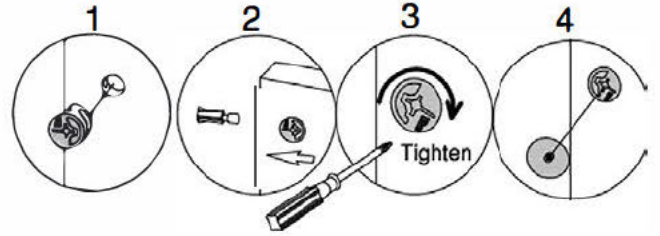


H181468



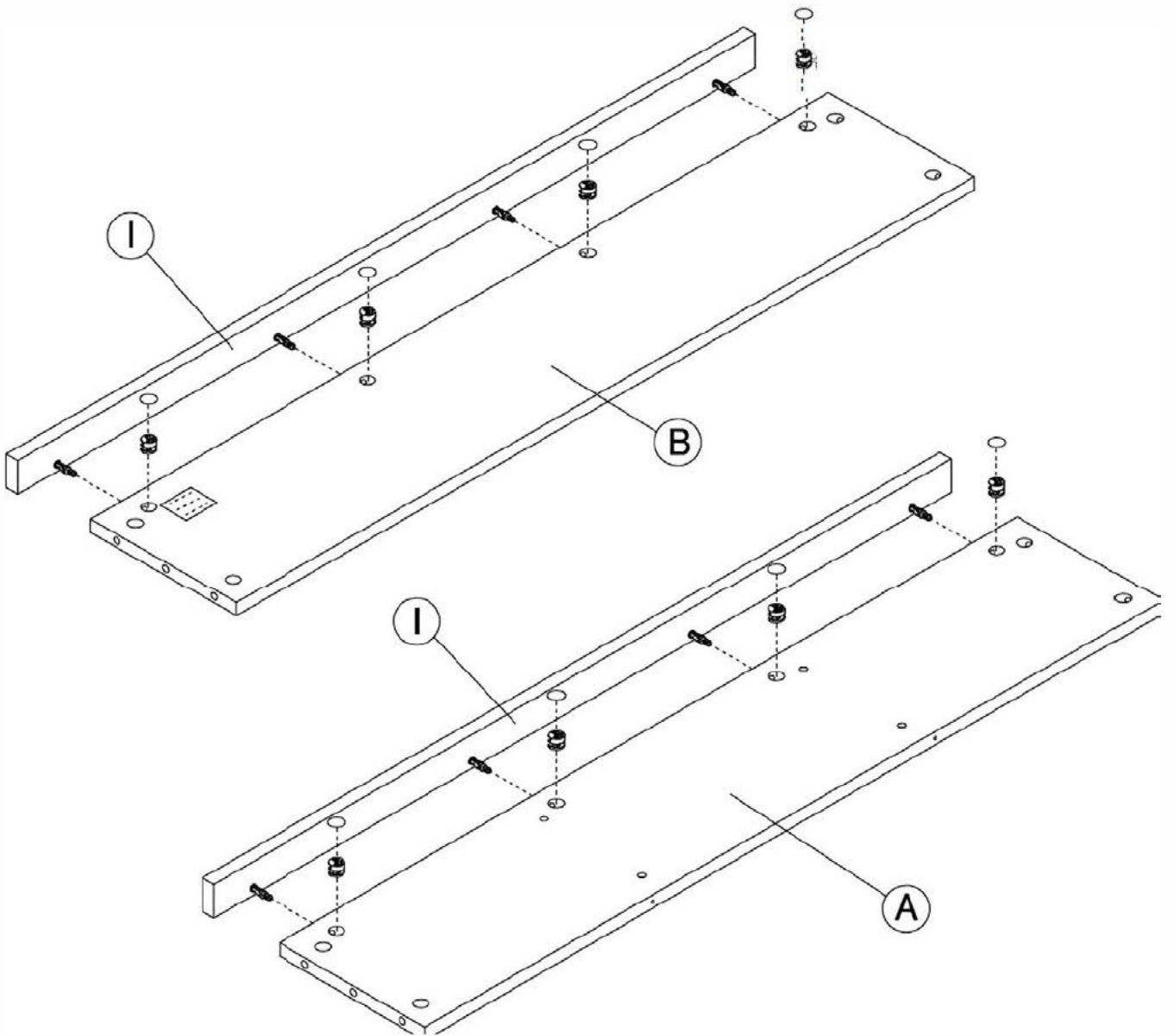
KD Cam

[8]



Cover Cap

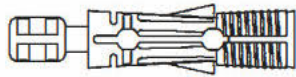
[8]



STEP 3

Prepare Panels

H171556 [8]



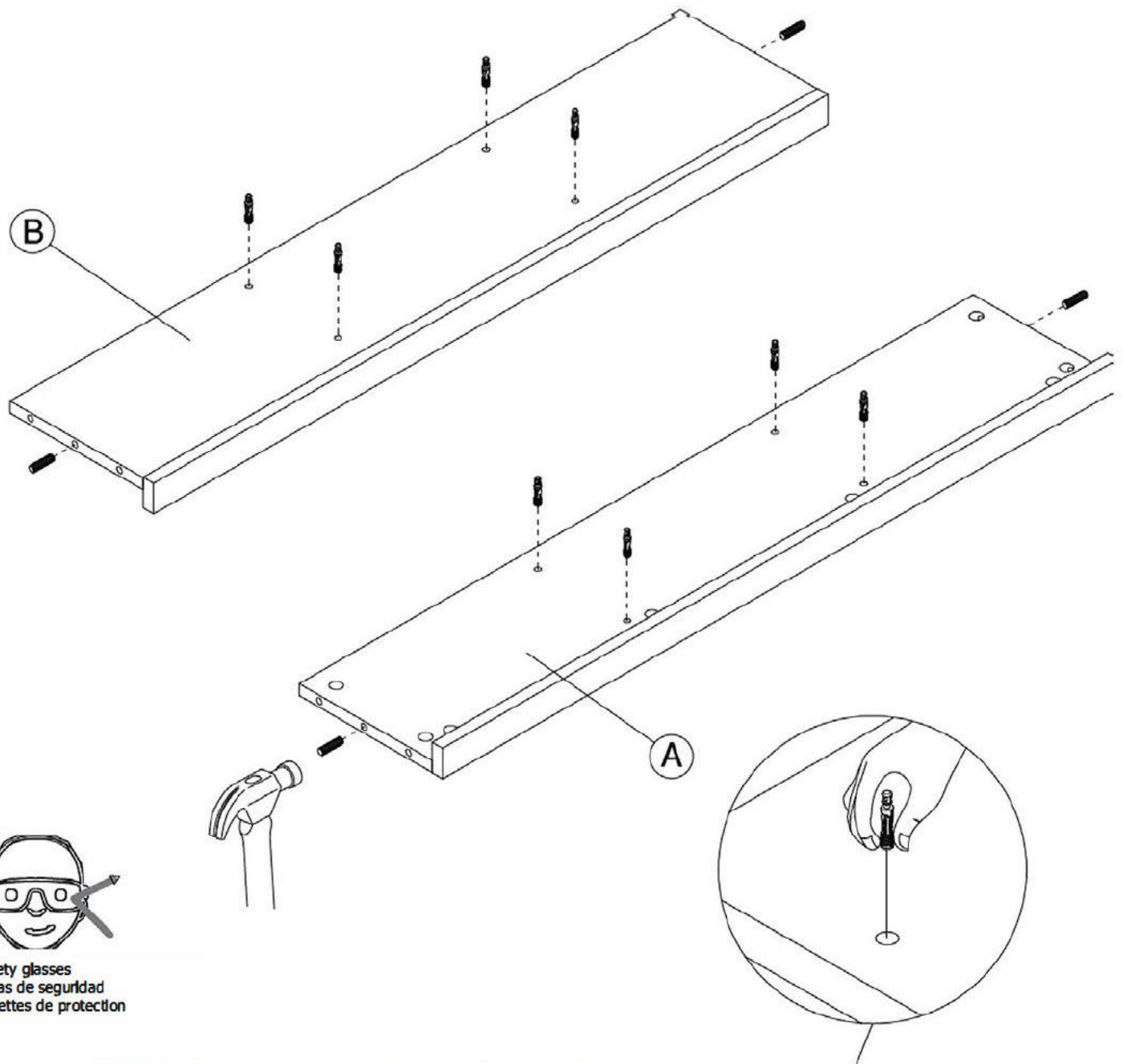
Quick Connect

H38169



[4]

Wood Dowel
8 x 30mm



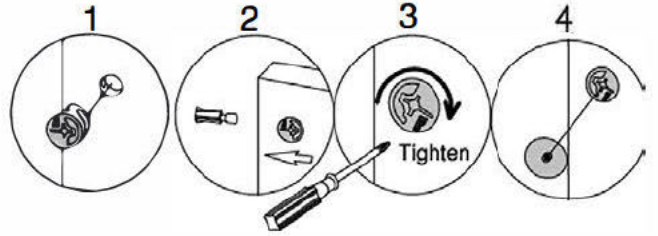
Safety glasses
Gafas de seguridad
Lunettes de protection

MAY HAVE TO SQUEEZE PLASTIC TO INSERT INTO HOLE.
PUEDE TENER QUE APRETAR PLÁSTICO PARA INSERTAR EN EL AGUJERO.
PEUT AVOIR À PRESSER EN PLASTIQUE À INSÉRER DANS LE TROU.

STEP 4

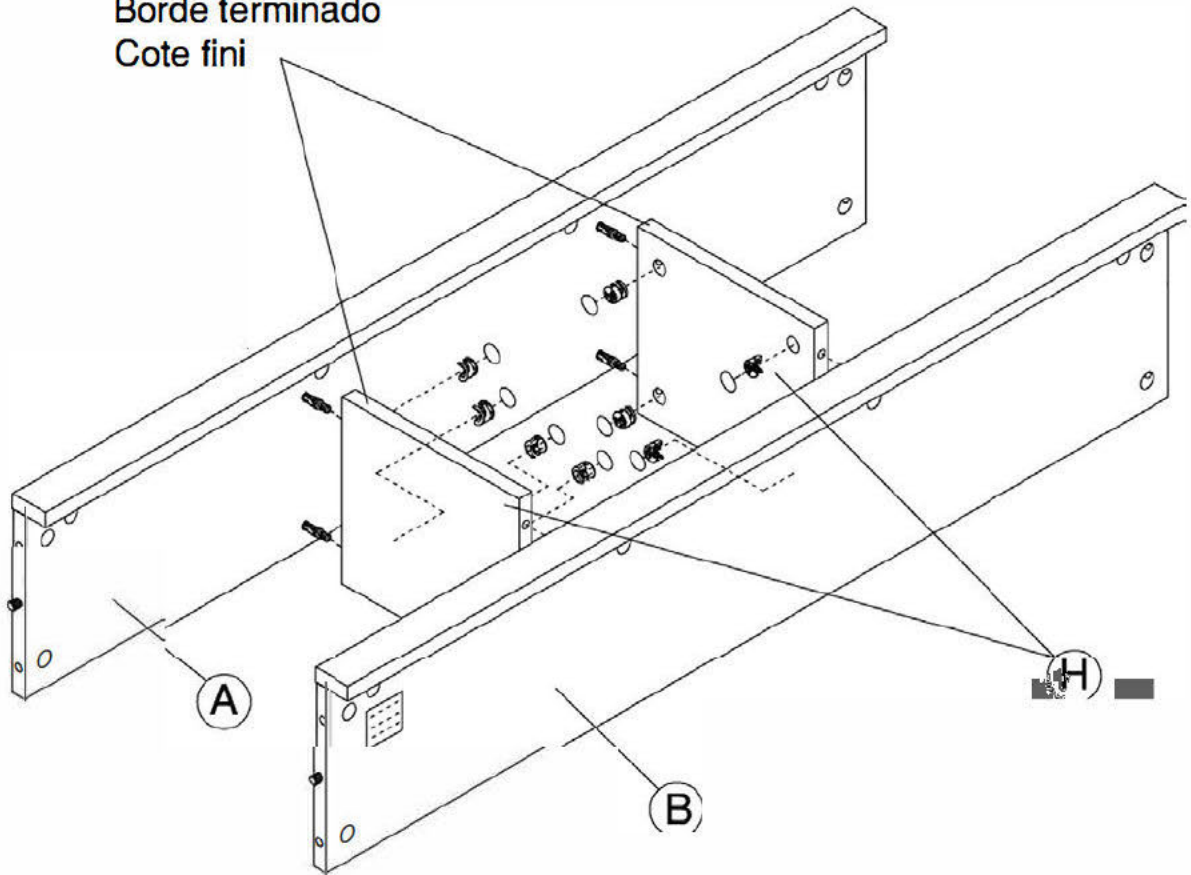
Assemble Panels

H181468 [8]
KD Cam



[8]
Cover Cap

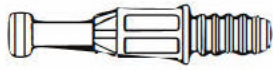
Finished edge
Borde terminado
Cote fini



STEP 5

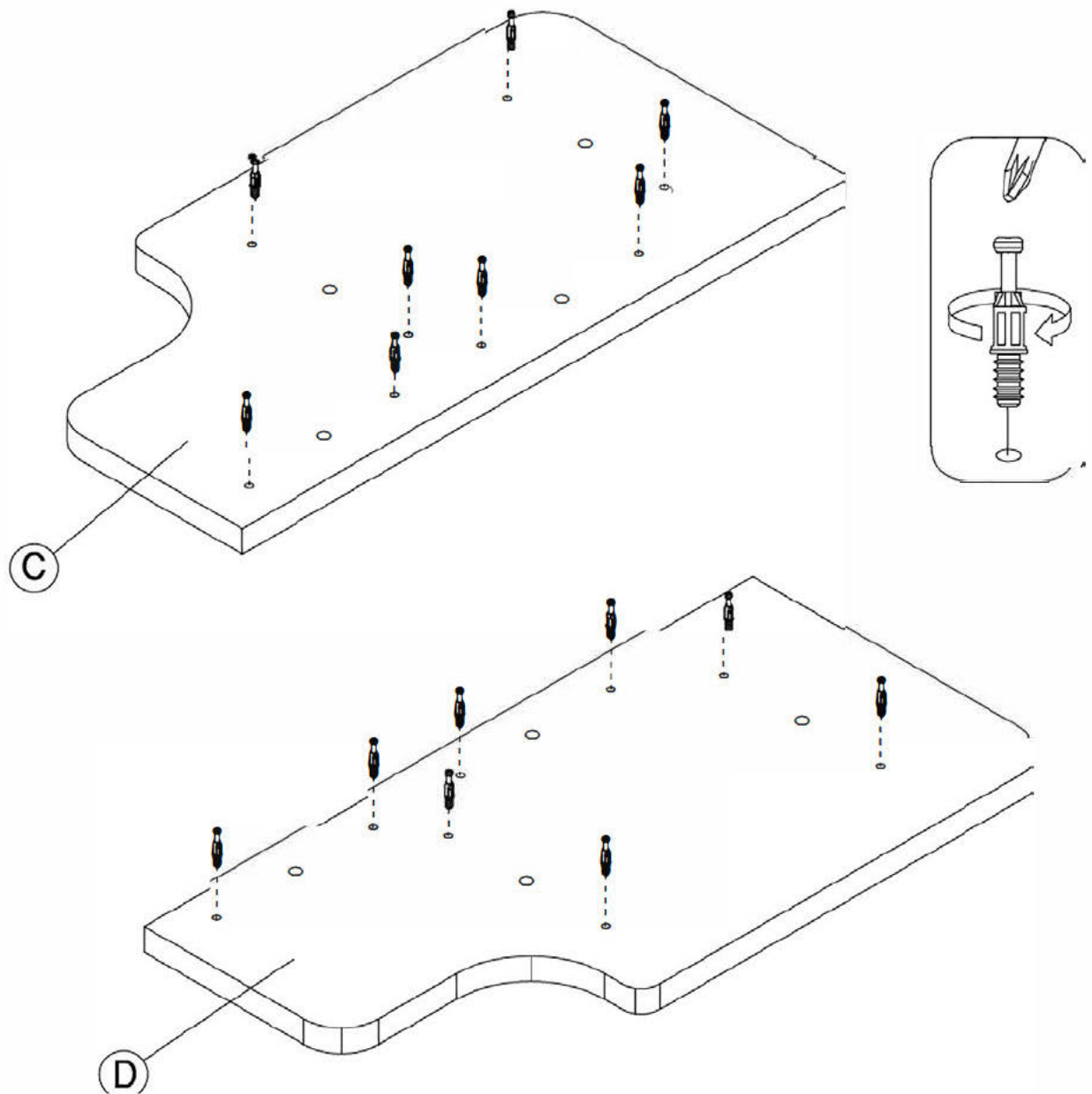
Prepare Panels

H72988



[16]

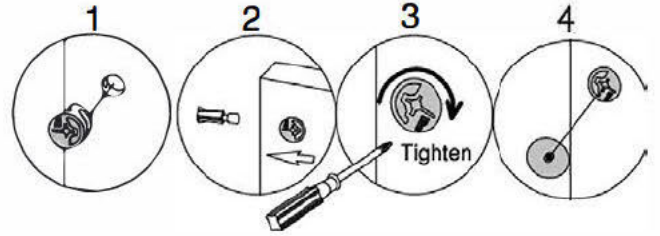
KD Bolt



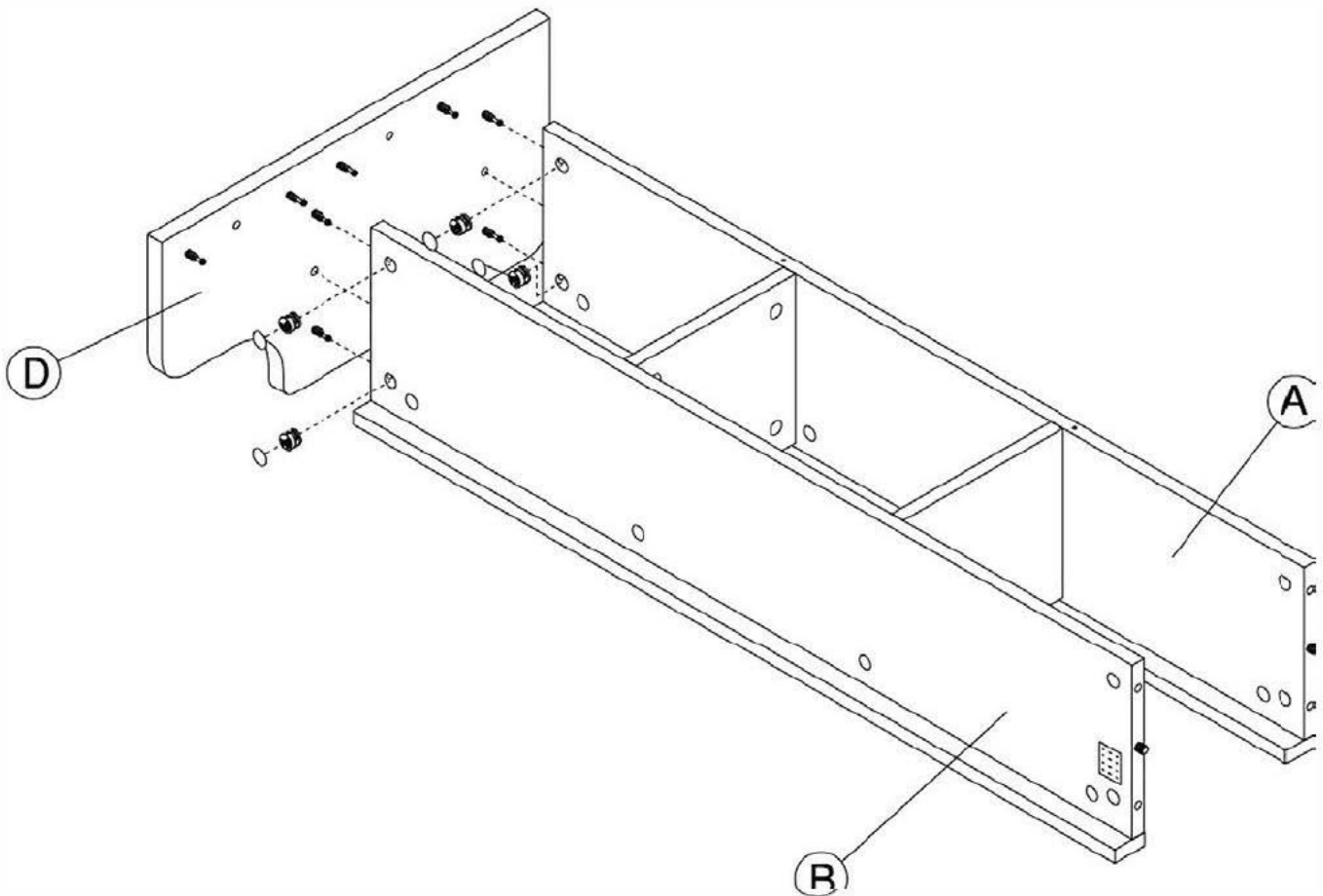
STEP 6

Assemble Panels

H181468 [4]
KD Cam



[4]
Cover Cap



STEP 7

Assemble Panels

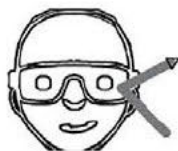
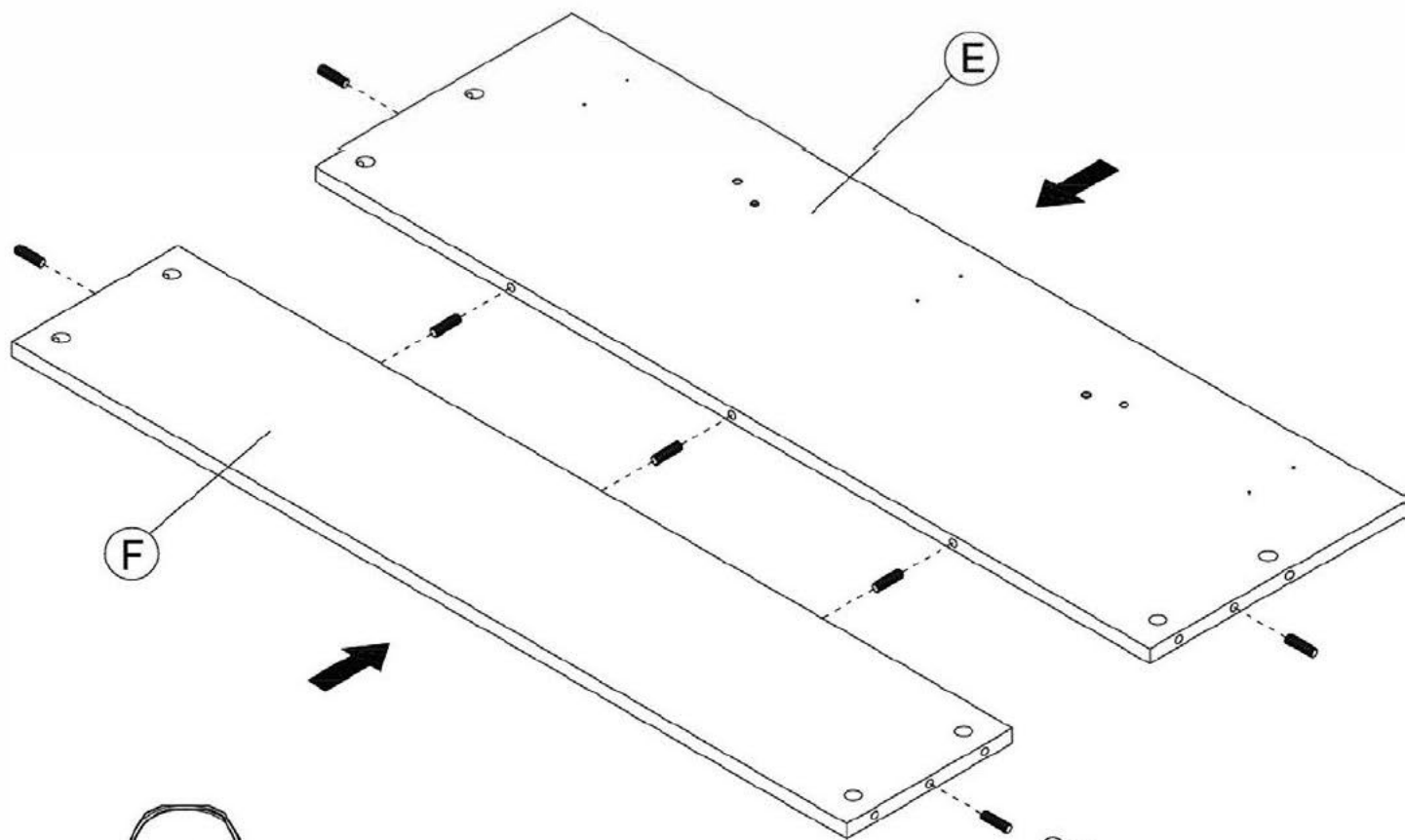


H38169



[7]

Wood Dowel
8 x 30mm



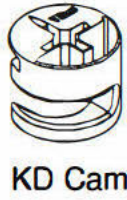
Safety glasses
Gafas de seguridad
Lunettes de protection



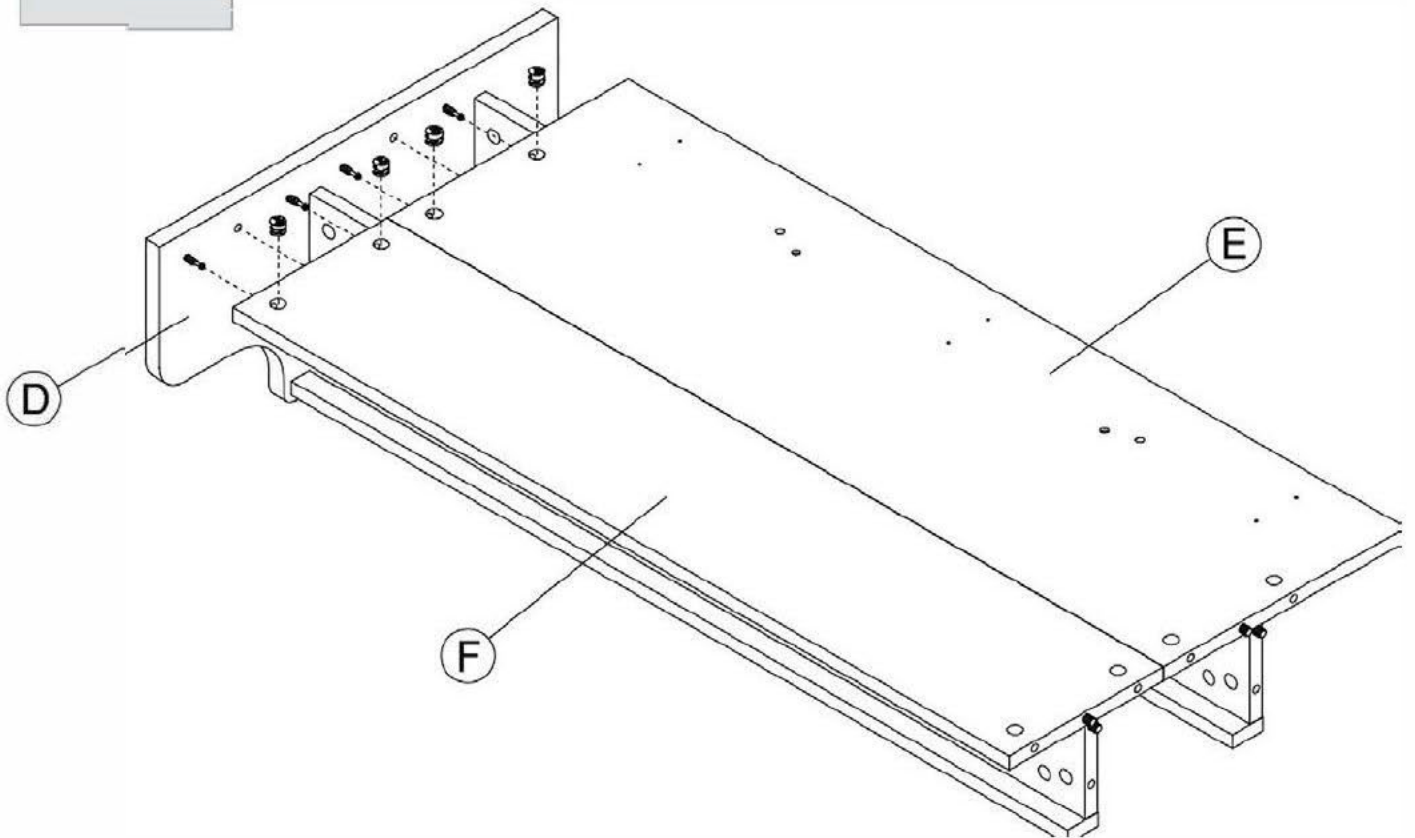
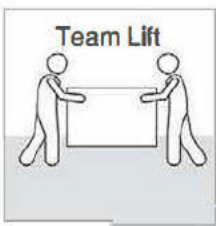
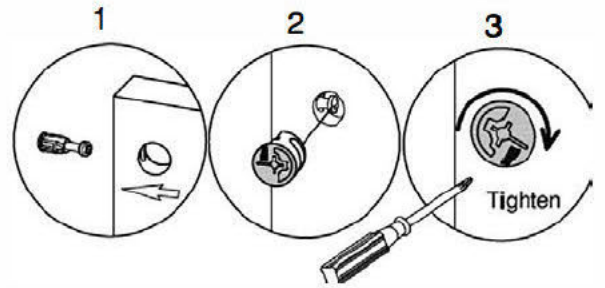
STEP 8

Assemble Panels

H181468



[4]



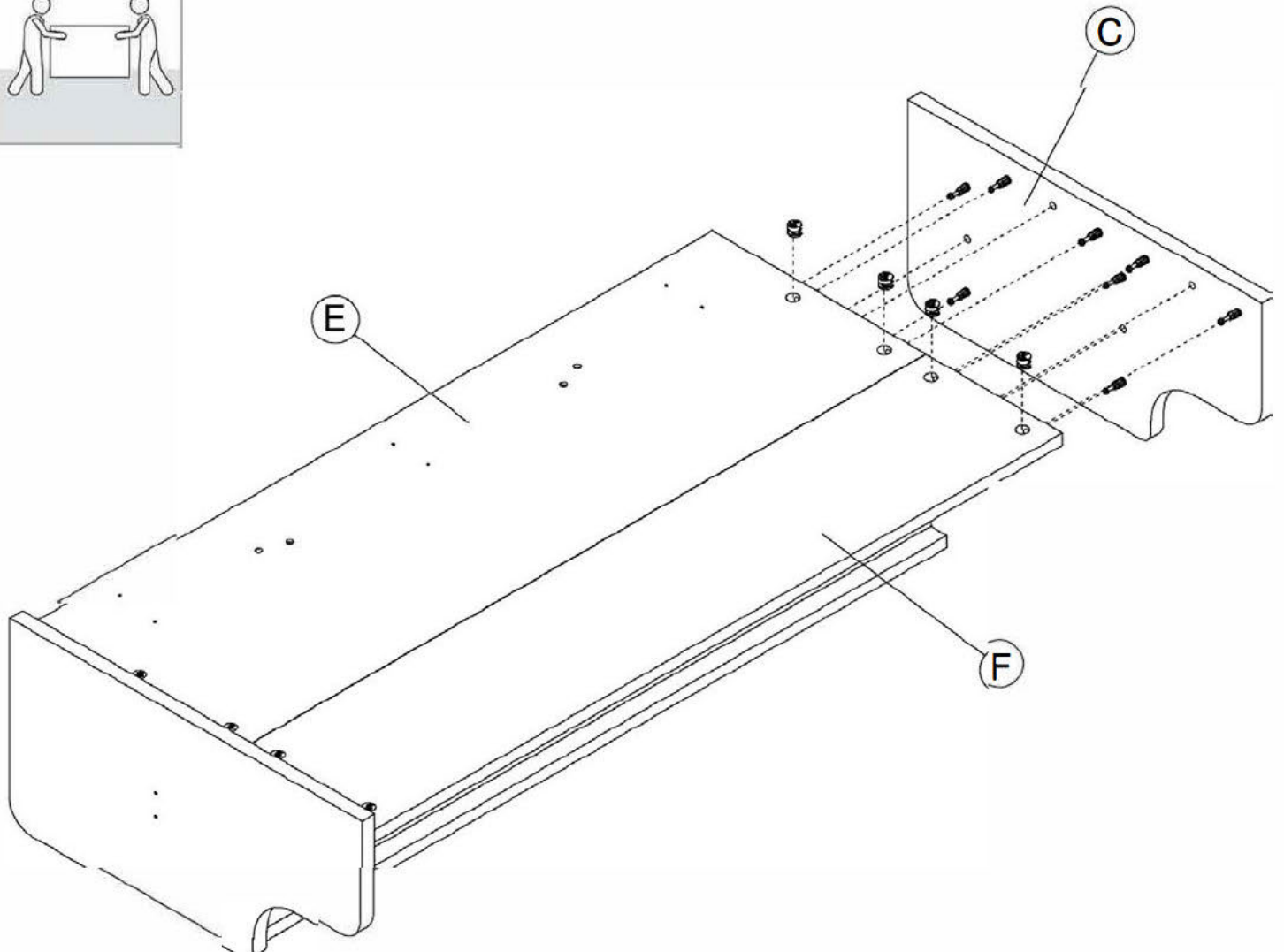
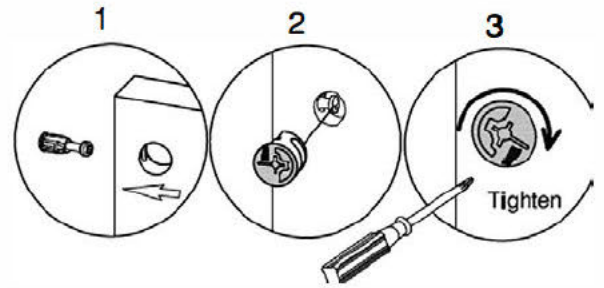
STEP 9

Assemble Panels

H181468



[4]

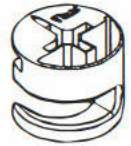


Have an assembly question or need a replacement part? Just call
1-800-950-4782, we are here to help.

STEP 10

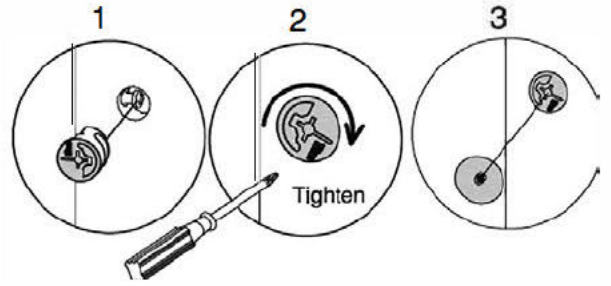
Install Fasteners

H181468



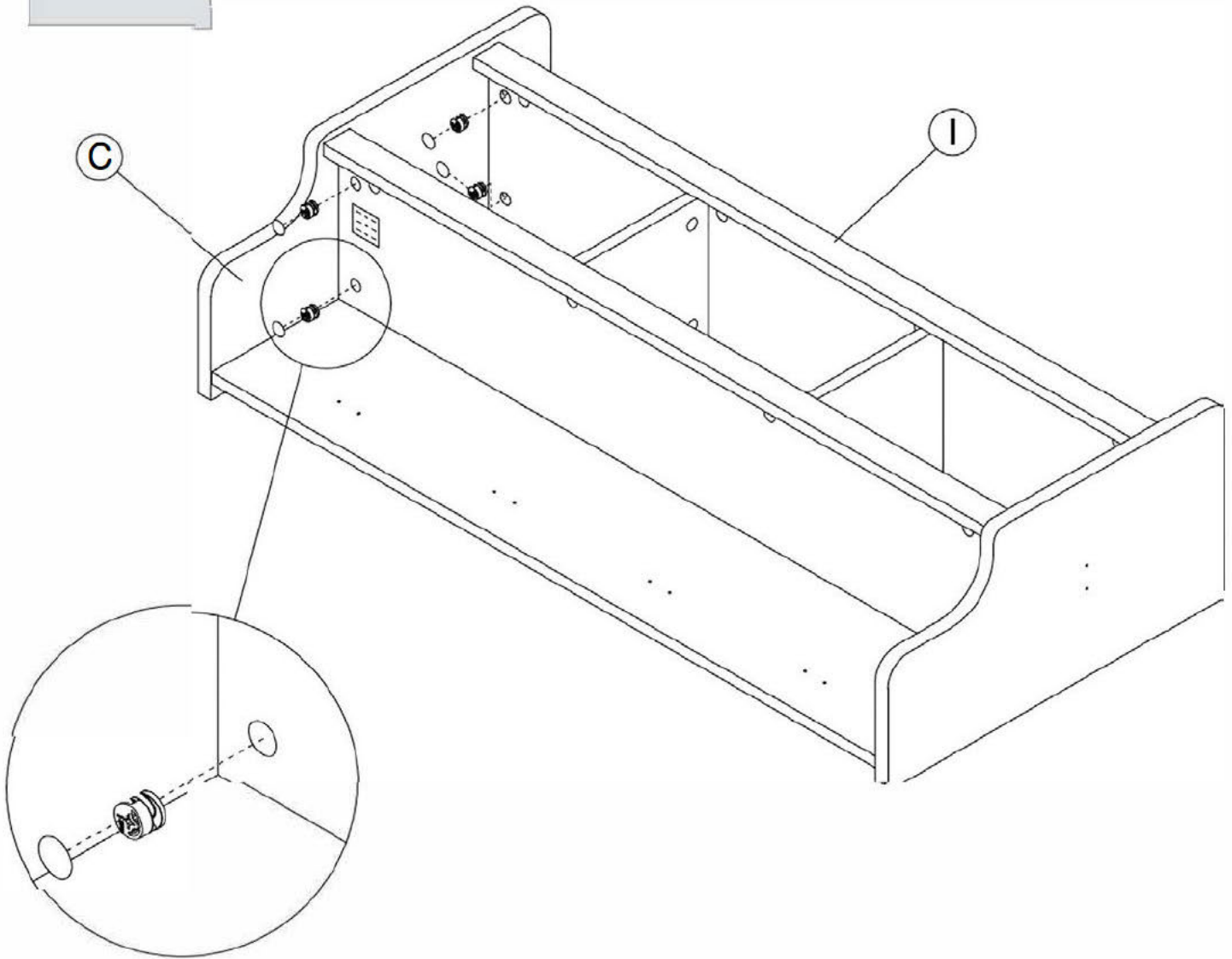
KD Cam

[4]



Cover Cap

[4]



STEP 11

Install Fasteners

H135637



[2]

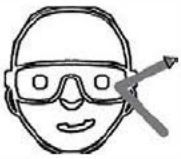
Wood Dowel
8 x 25mm

H23198

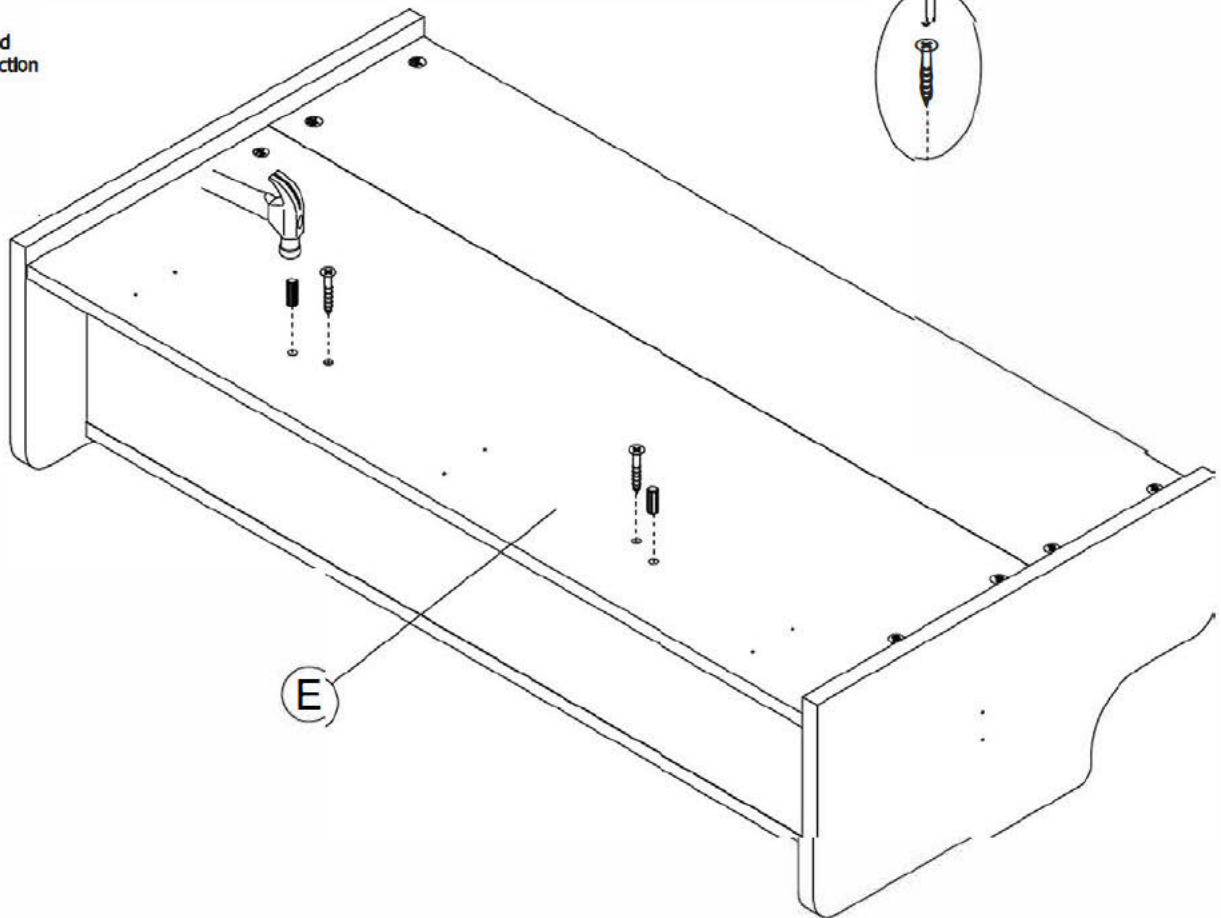


[2]

#10 x 1-1/2"



Safety glasses
Gafas de seguridad
Lunettes de protection



STEP 12

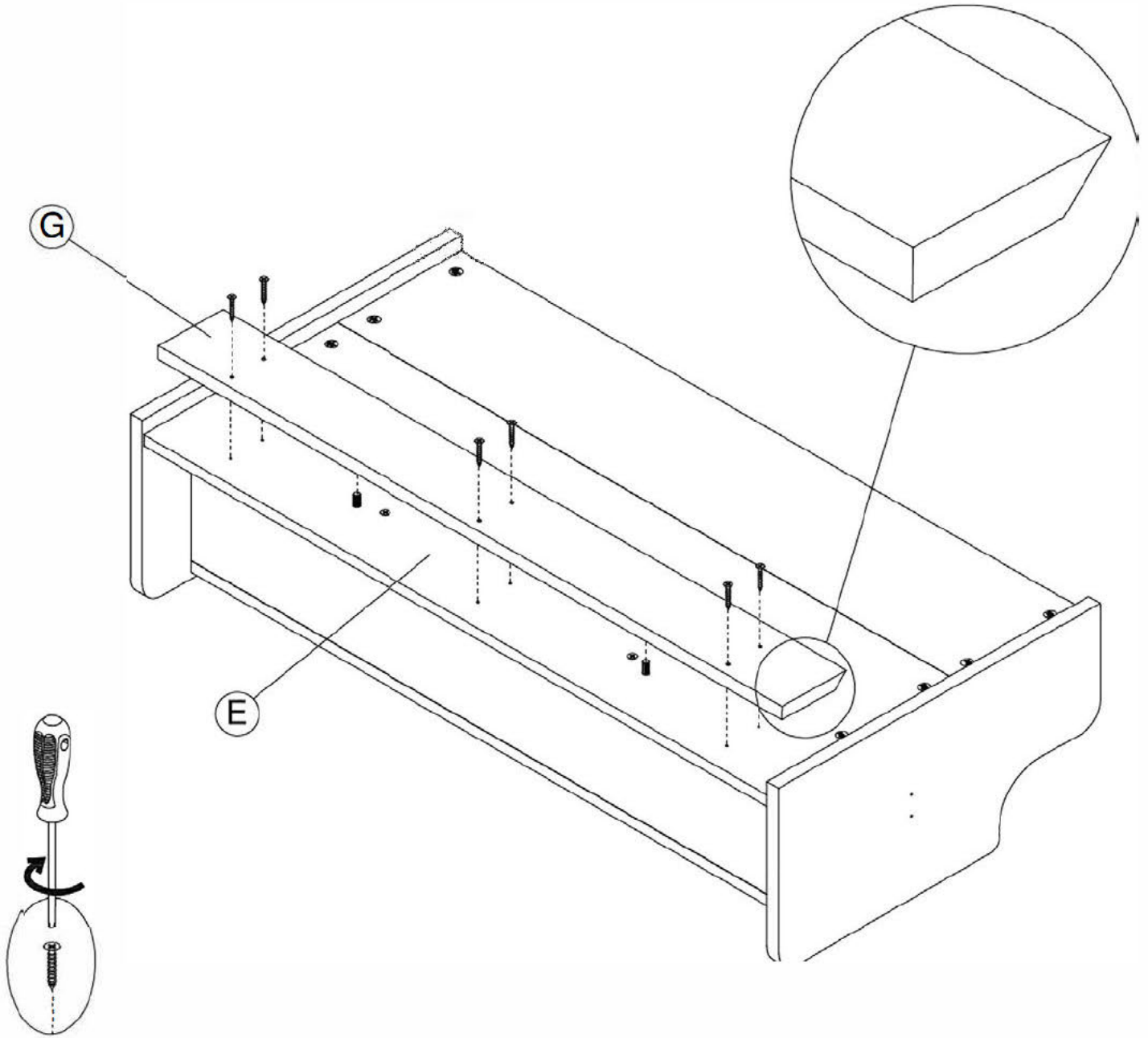
Assemble Panels

H158986



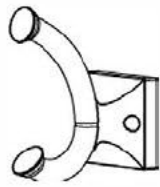
[6]

#8 x 1"



STEP 13

Install Hardware



[6]

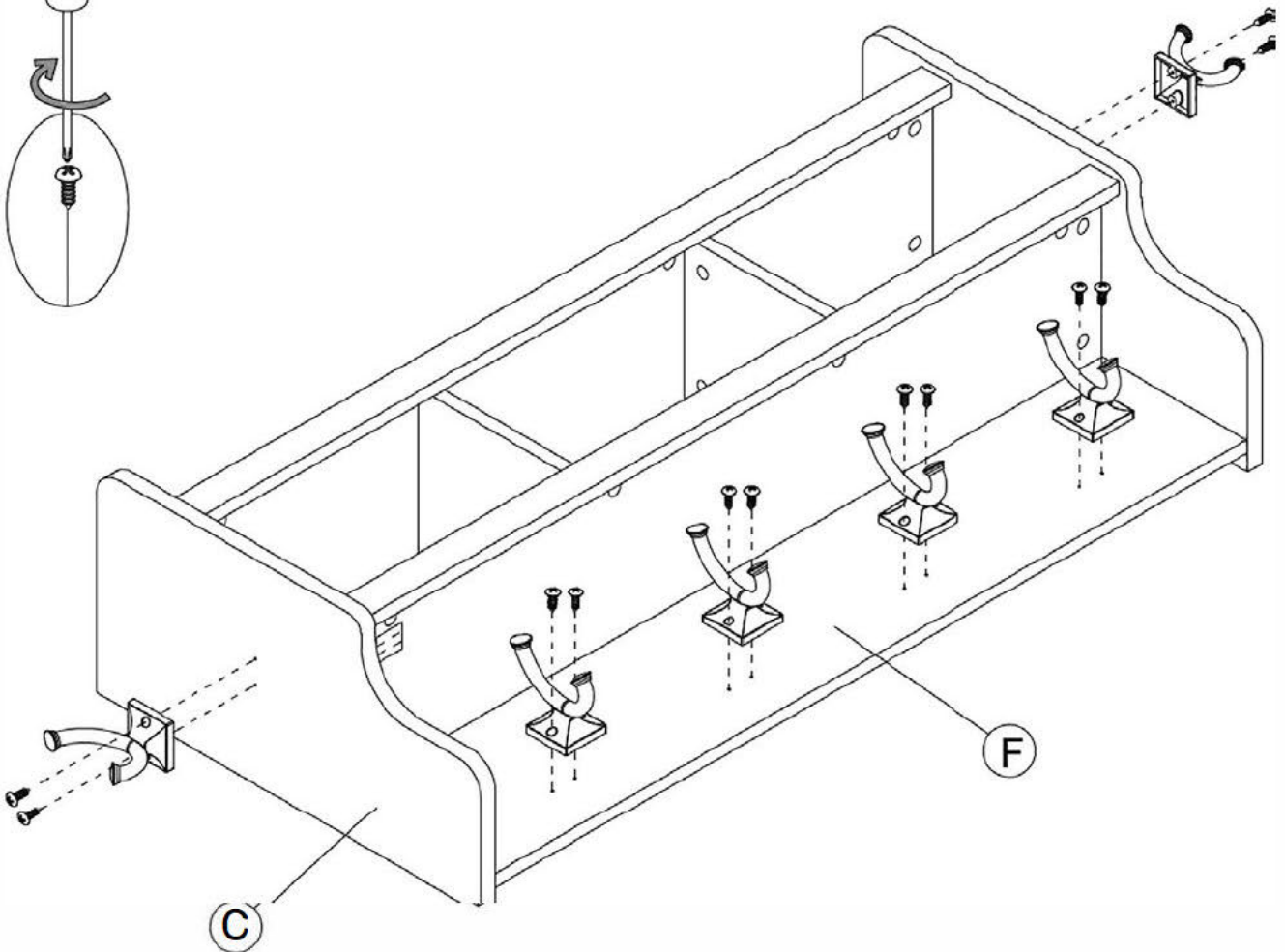
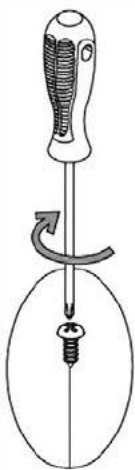
Hook

H182563



[12]

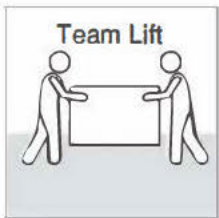
#8 x 5/8"



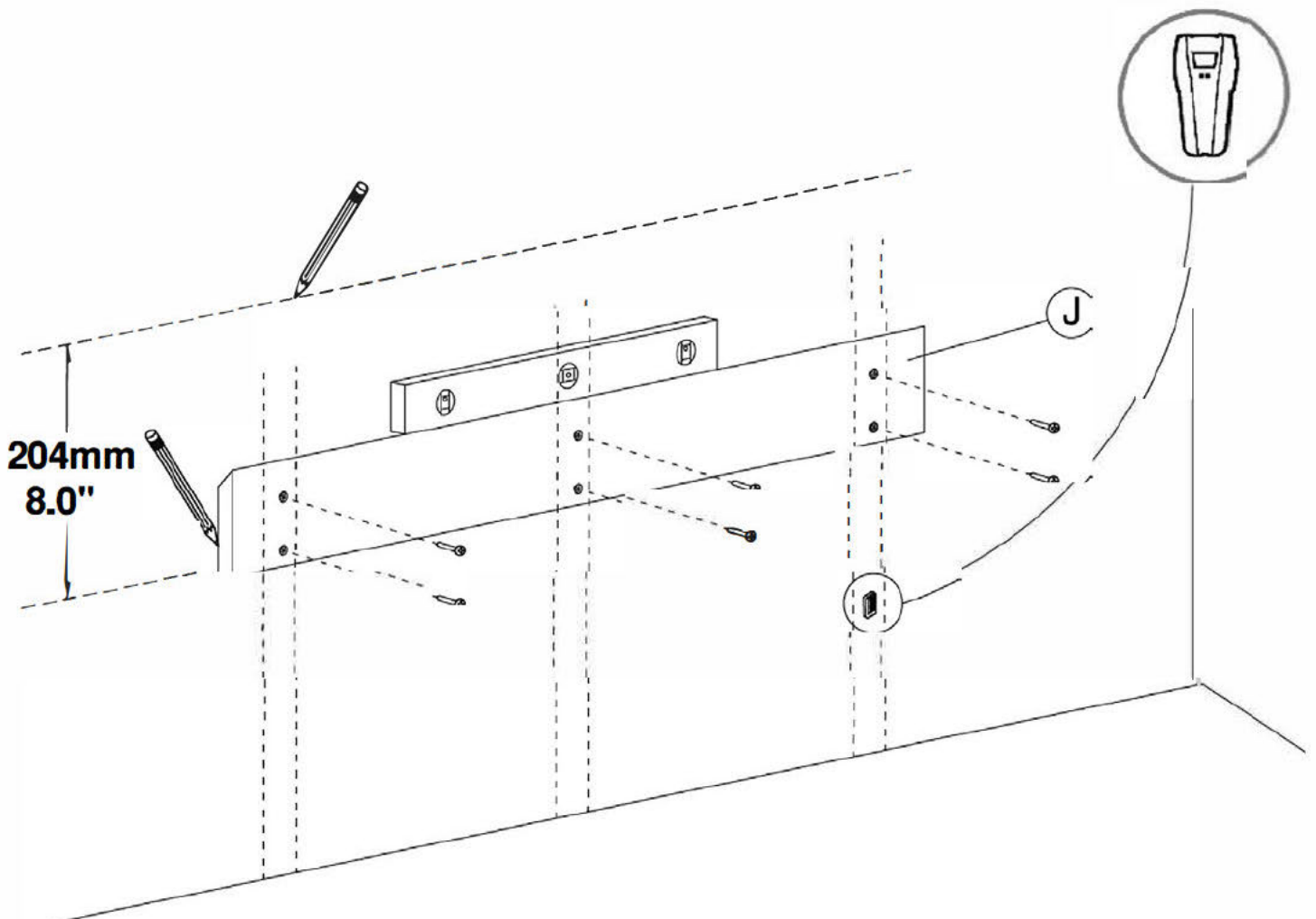
STEP 14

Prepare Wall

- 1.) Determine the final location of the unit on the wall. Mark desired height at the top and left side edges of the unit.
- 2.) Locate and mark three (3) wall studs closest to desired placement.
- 3.) Measure and mark 8" (204mm) down from top edge mark.
- 4.) With an assistant align part J bottom edge with mark in step 3. Align holes with center of previously marked wall studs (step 2).
- 5.) Insert #10 x 2.5" screw (H194287) into (6) mounting holes and push firmly or tap lightly with hammer to mark wall for drilling.
- 6.) Set J panel aside



stud finder
buscador de estudios
chercheur de goujons

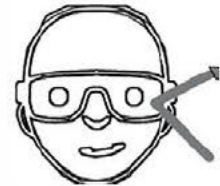


STEP 15

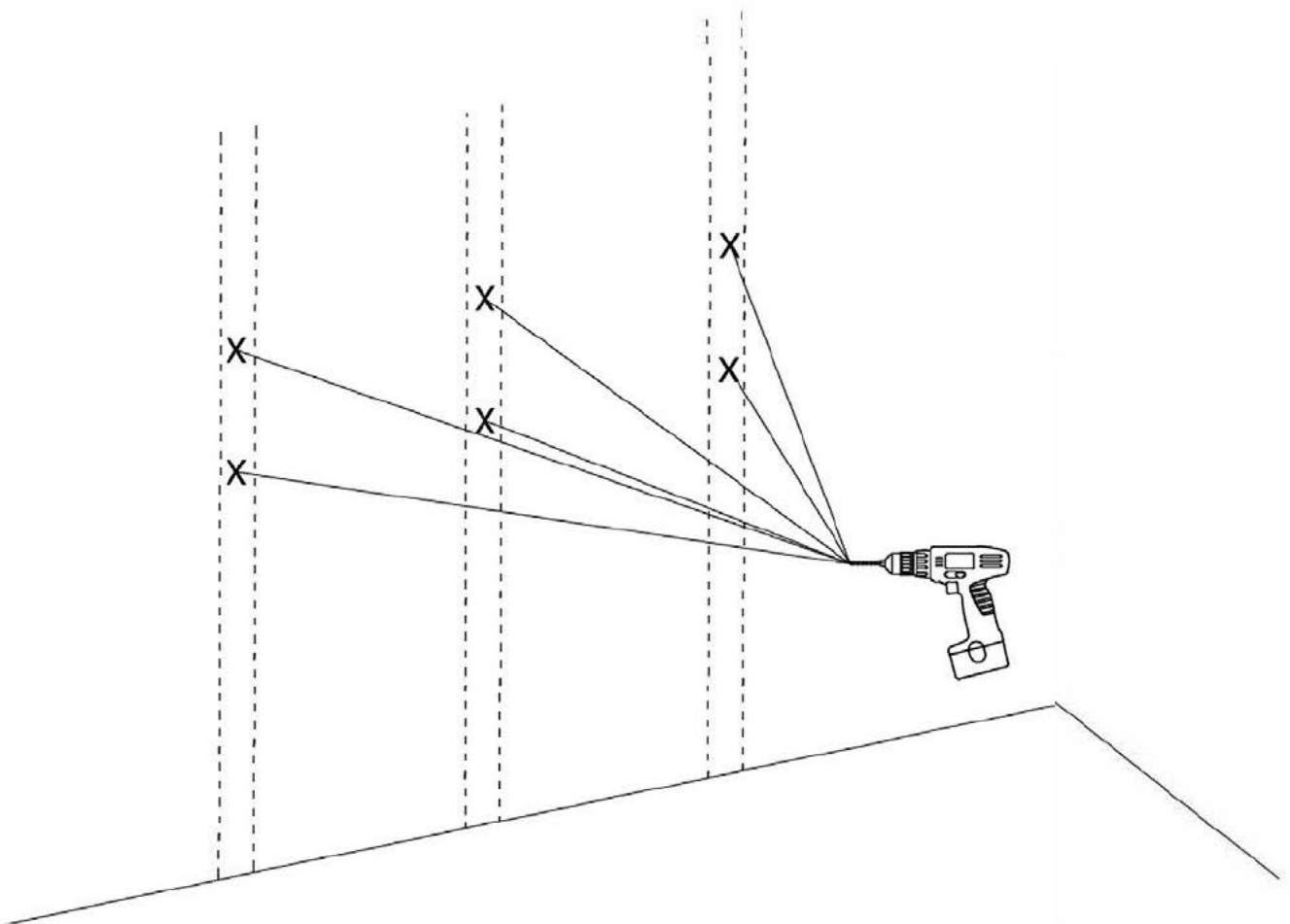
Prepare Wall

NOTE: There may be plumbing or electrical lines in the walls of residential dwellings. Care must be taken when drilling into walls. If you are not confident in your installation abilities, please consult an installation professional.

1. Mark hole locations with pencil.
2. At marked locations, drill (6) 2" (50mm) deep .



Safety glasses
Gafas de seguridad
Lunettes de protection



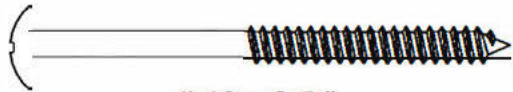
STEP 16

Attach to Wall



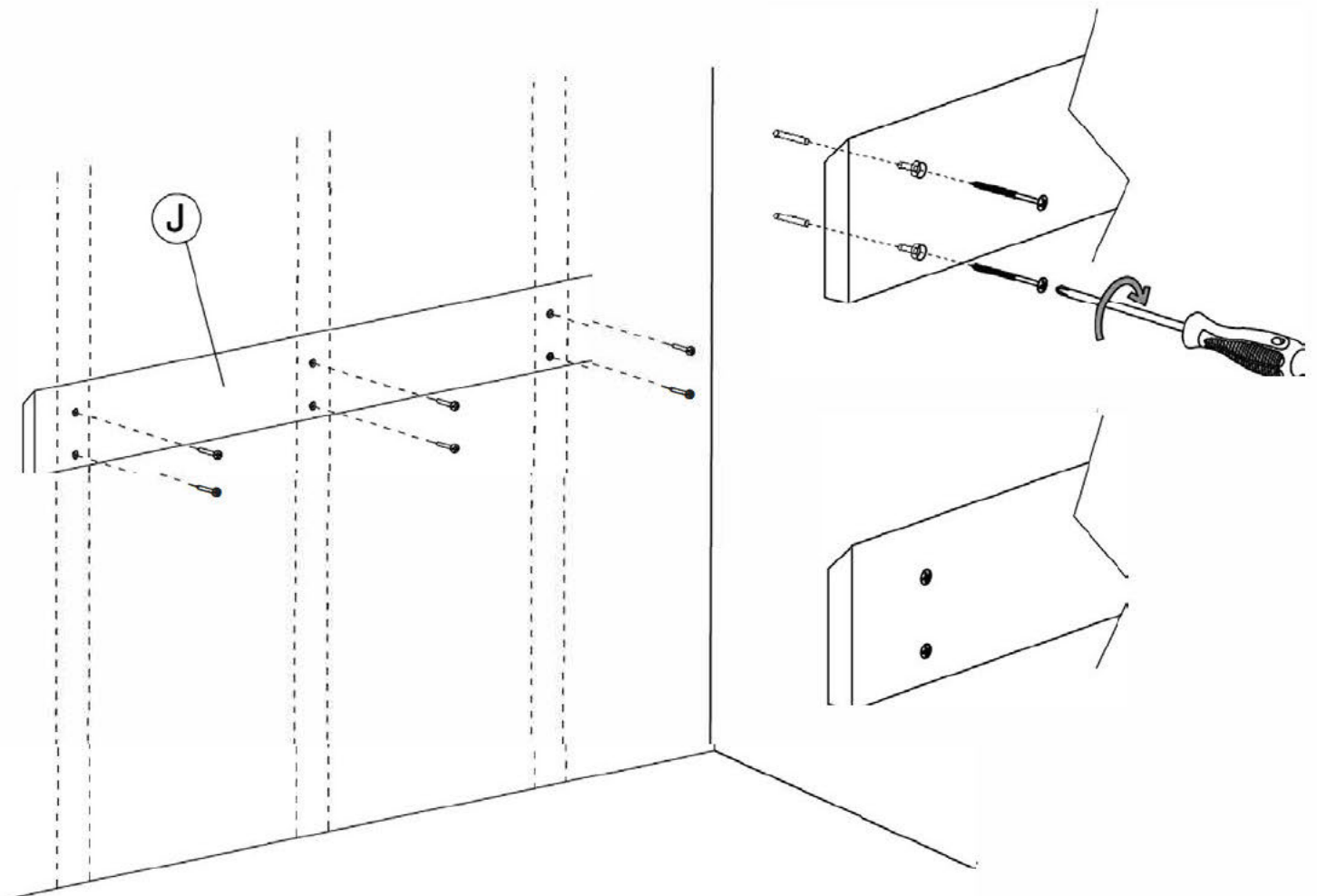
- 1.) With an assistant align panel J with previously drilled holes.
- 2.) Attach to wall using H194287 screws.

H194287



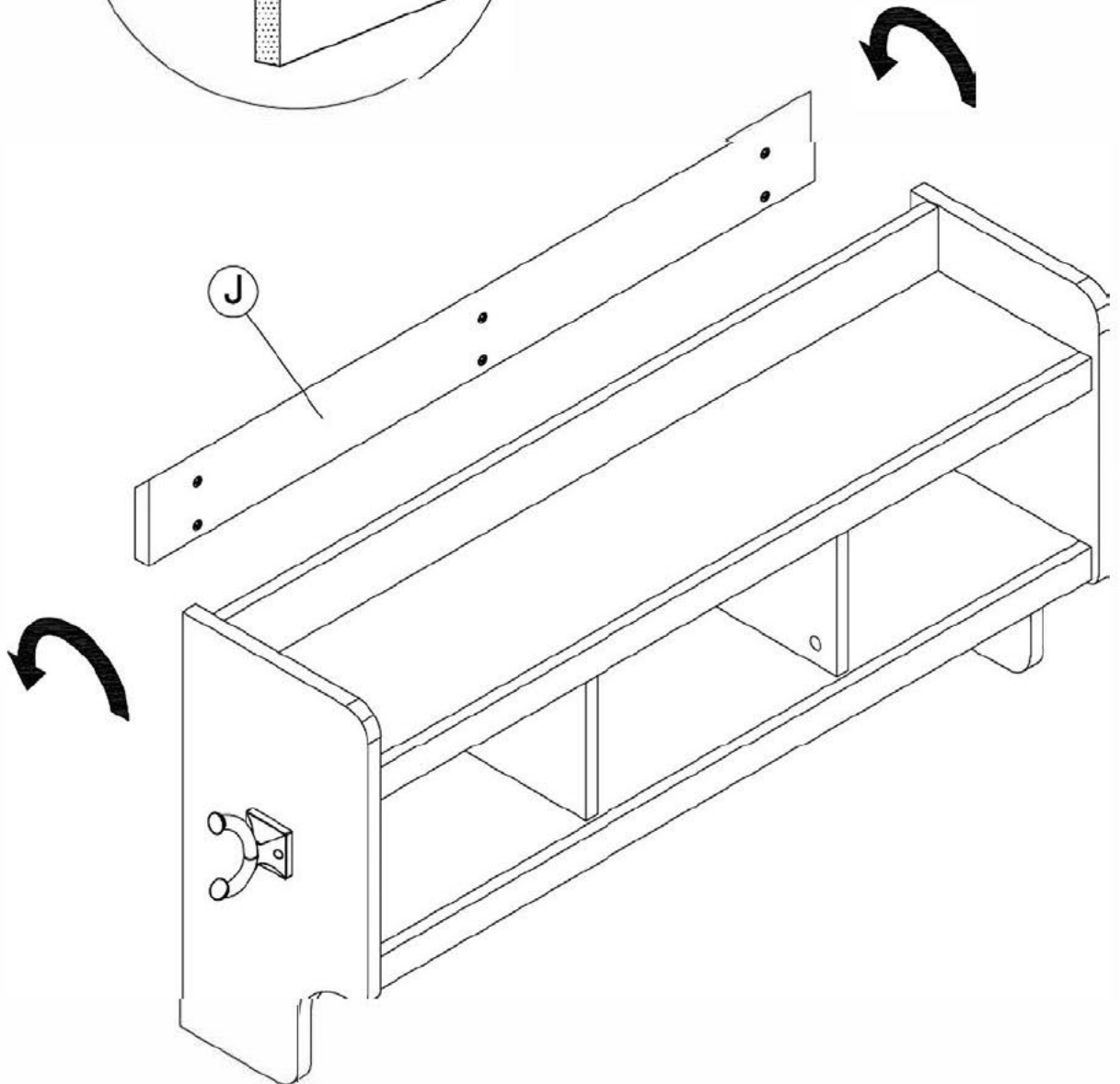
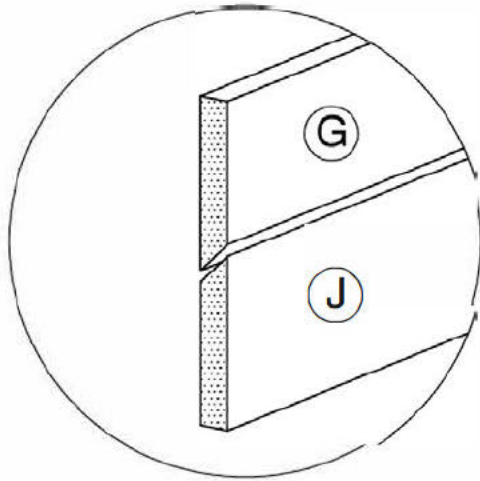
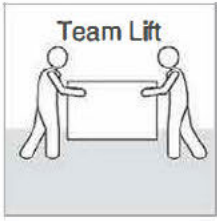
[6]

10 x 2.5 "



STEP 17

Attach to Wall

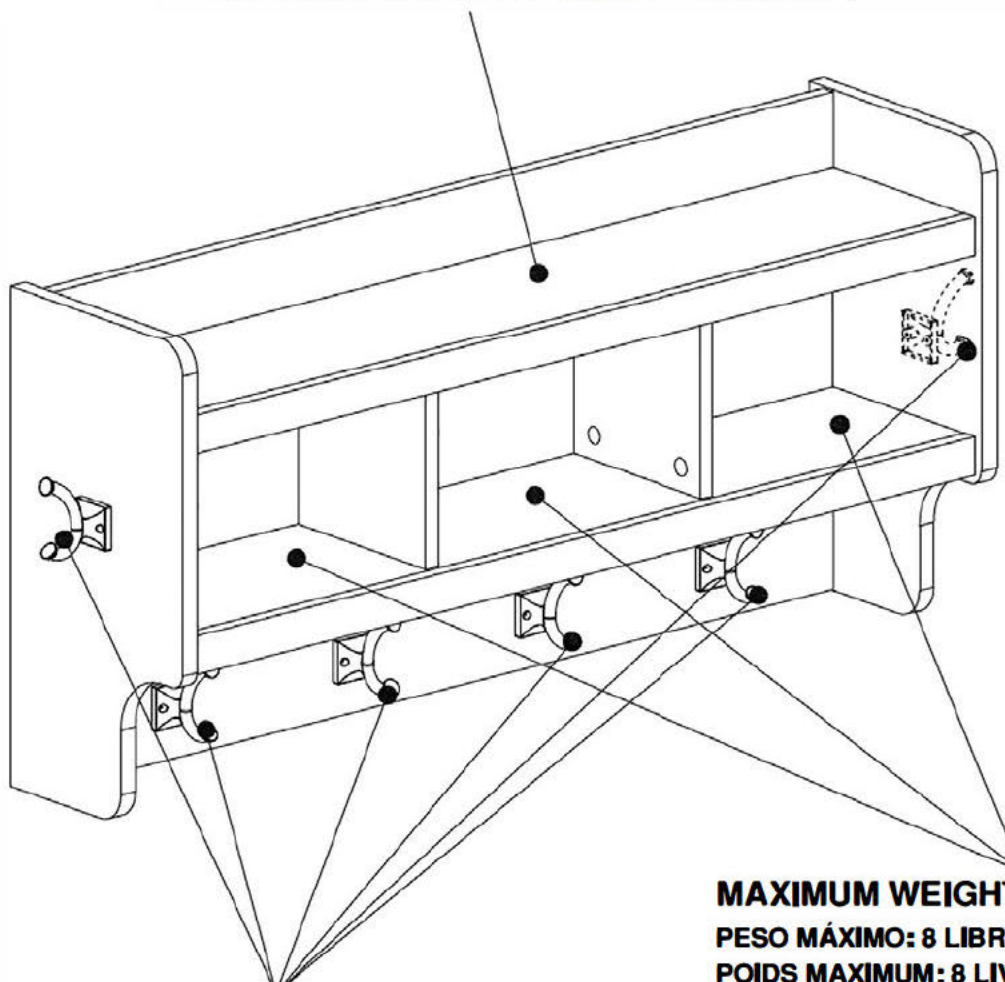


STEP 18

Maximum Loading and Cleaning

Gently clean surfaces with a damp sponge eraser.

MAXIMUM WEIGHT: 25 LBS (11.34 KG)
PESO MÁXIMO: 25 LIBRAS (11.34 KILOGRAMO)
POIDS MAXIMUM: 25 LIVRES (11.34 KILOGRAMME)



MAXIMUM WEIGHT: 15 LBS (6.8 KG)
PESO MÁXIMO: 15 LIBRAS (6.8 KILOGRAMO)
POIDS MAXIMUM: 15 LIVRES (6.8 KILOGRAMME)

MAXIMUM WEIGHT: 8LBS (3.6 KG)
PESO MÁXIMO: 8 LIBRAS (3.6 KILOGRAMO)
POIDS MAXIMUM: 8 LIVRES (3.6 KILOGRAMME)

Congratulations! You are all done.

PARTS LIST

A [1] W200112

B [1] W200113

C [1] W200114

D [1] W200115

E [1] W200116

F [1] W200117

G [1] W200118

H [2] W200119

I [2] W200803

J [1] W200121

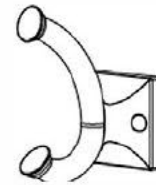
H186180



Cover Cap

[24]

H197391



Hook

[6]

A [1] W200122

B [1] W200123

C [1] W200124

D [1] W200125

E [1] W200126

F [1] W200127

G [1] W200118

H [2] W200129

I [2] W200815

J [1] W200121

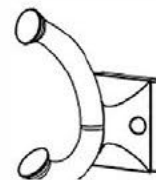
H192368



Cover Cap

[24]

H197391



Hook

[6]

PARTS LIST

A [1] W200776

B [1] W200777

C [1] W200778

D [1] W200779

E [1] W200780

F [1] W200781

G [1] W200118

H [2] W200783

I [2] W200827

J [1] W200121

H200200



Cover Cap

[24]

H197391



Hook

[6]

A [1] W212515

B [1] W212516

C [1] W212517

D [1] W212518

E [1] W212519

F [1] W212520

G [1] W200118

H [2] W212521

I [2] W212486

J [1] W200121

H211377



Cover Cap

[24]

H211372



Hook

[6]

PARTS LIST

A [1] W211429

B [1] W211430

C [1] W211431

D [1] W211432

E [1] W211433

F [1] W211434

G [1] W200118

H [2] W211435

I [2] W211419

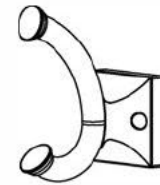
J [1] W200121

H160399



[24]

H197391



Hook

[6]

THIS PAGE INTENTIONALLY LEFT BLANK

THIS PAGE INTENTIONALLY LEFT BLANK