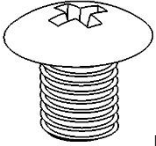


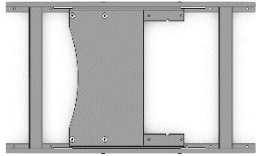

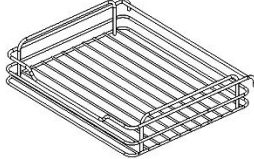
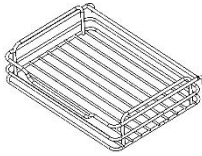


Universal Magic corner manual (wire)

1. List						
A. =4 PCS	B. =12 PCS	C. =2 PCS	D. =1 PCS	E. =1 PCS	F. =2 PCS	G. =2 PCS
 m6x8	 4x16					

One suitable cabinet

Step1: Install the base frame "D"

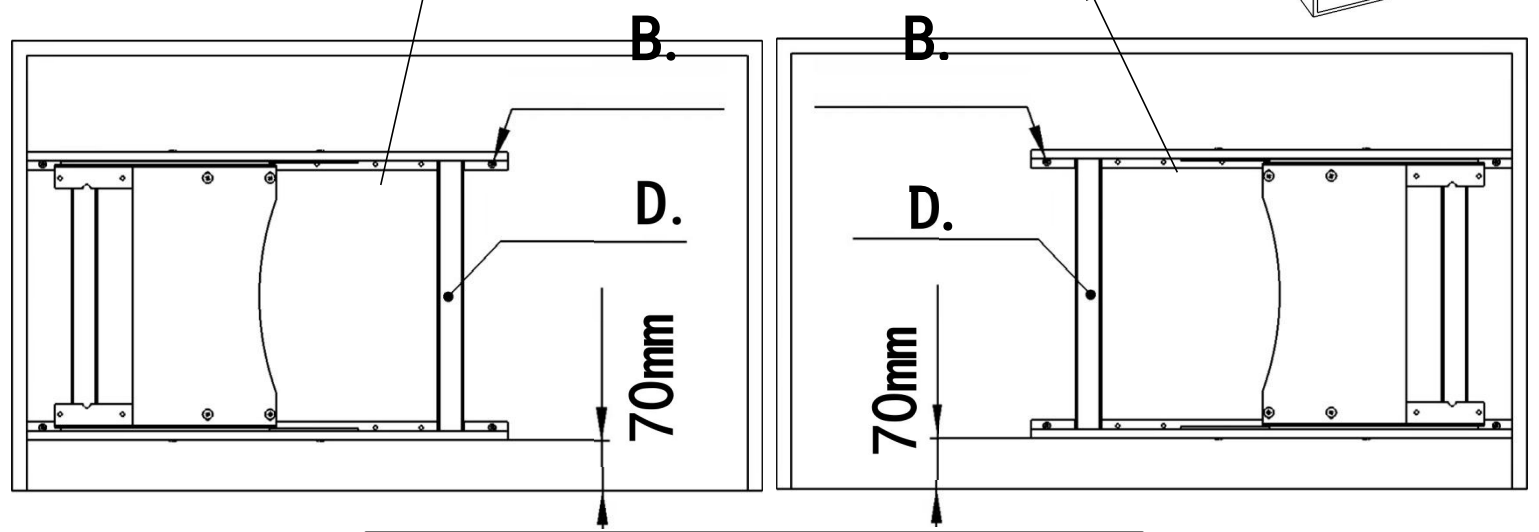
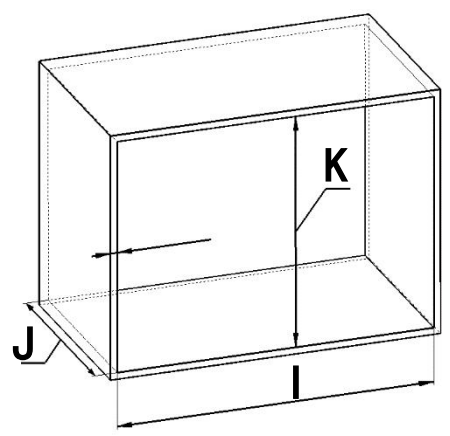
Cabinet's width	I:Length (mm)	J:Depth (mm)	K:Height (mm)
800	≥764	≥510	≥580

Left open

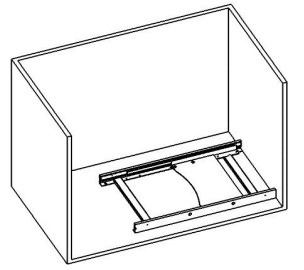
Right open

Fix the frame by screw "B"

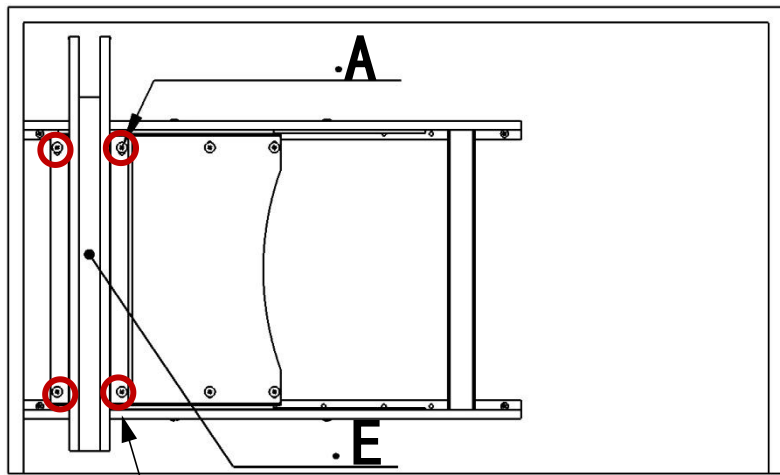
Fix the frame by screw "B"



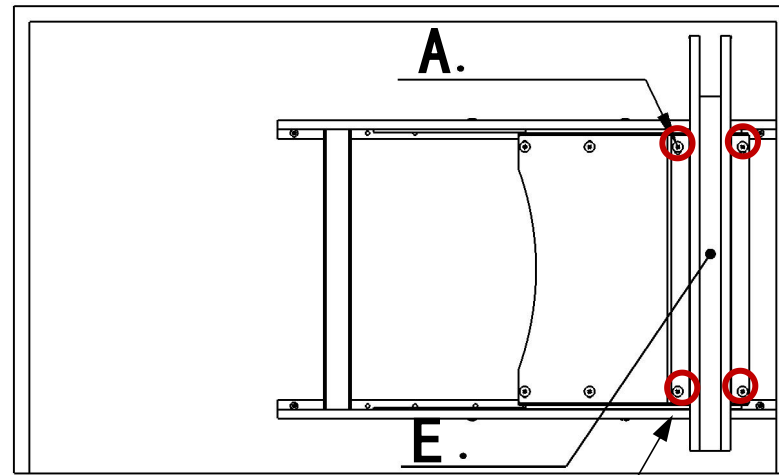
Distance from door panel to frame D is 70mm



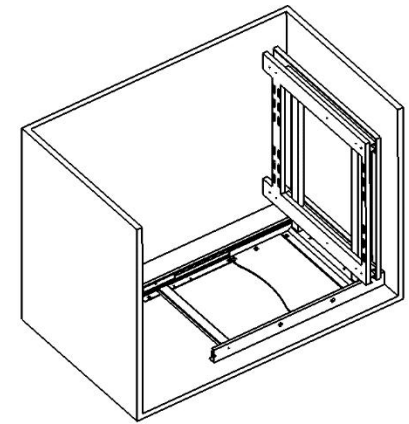
Step2: Install the side frame "E" .



Left open



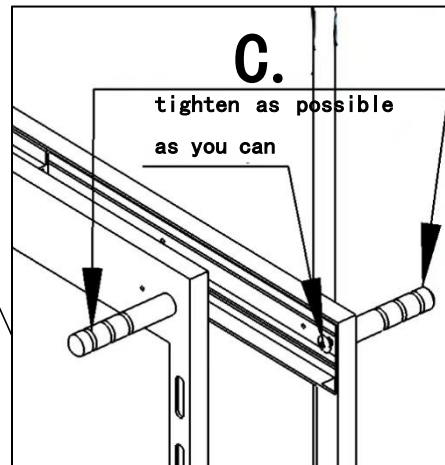
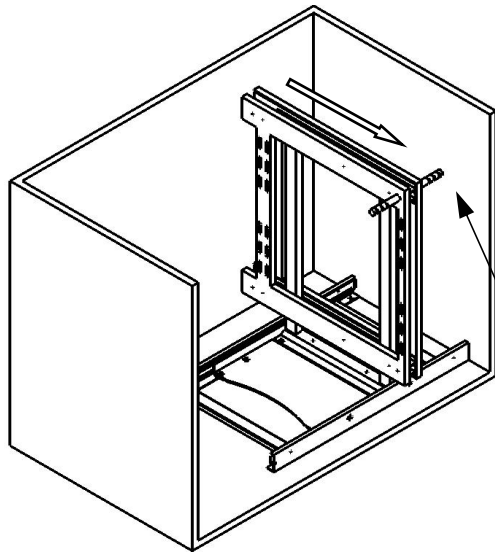
Right open



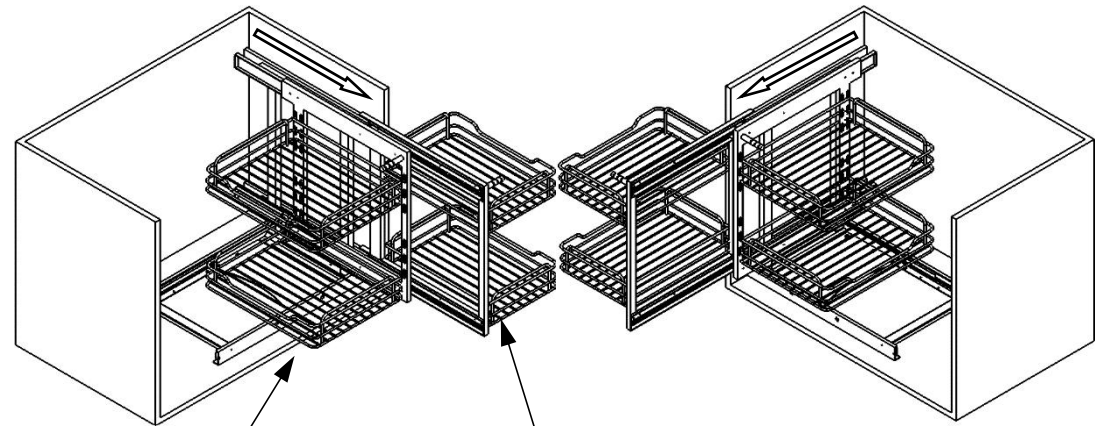
Fix the frame by screw "A" m6*6

Fix the frame by screw "A" m6*6

Step 3; Fix the handles "C" .



Step 4: Hand up the baskets.



F. Big baskets

G. small baskets