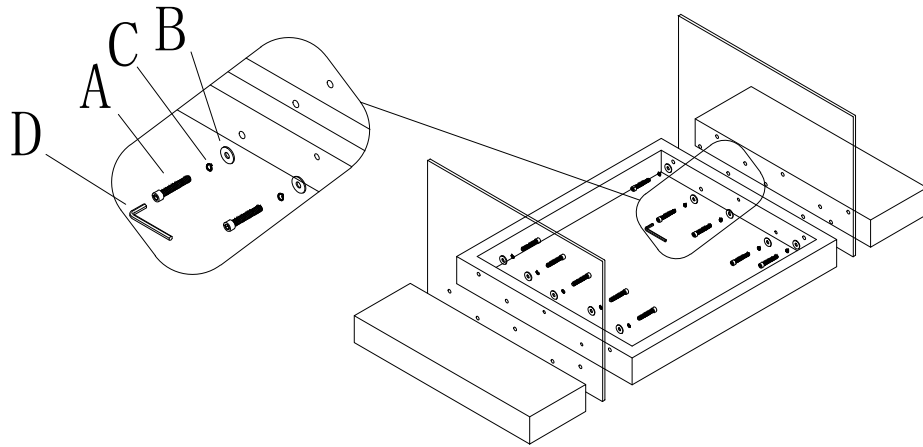
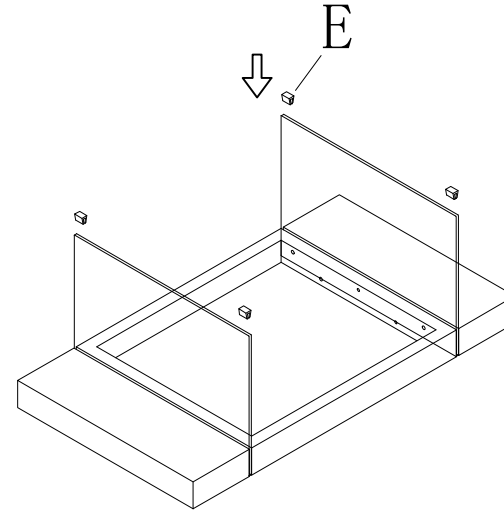


ASSEMBLY INSTRUCTION

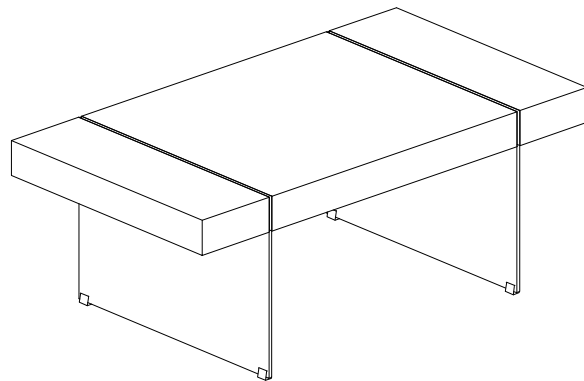
STEP1




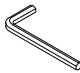



STEP2



At least 2 people are required for product assembly



A	 M8*70	10pcs
B	 $\phi 22$	10pcs
C	 $\phi 8$	10pcs
D	 M6	1pc
E	 25*20*18	4pcs