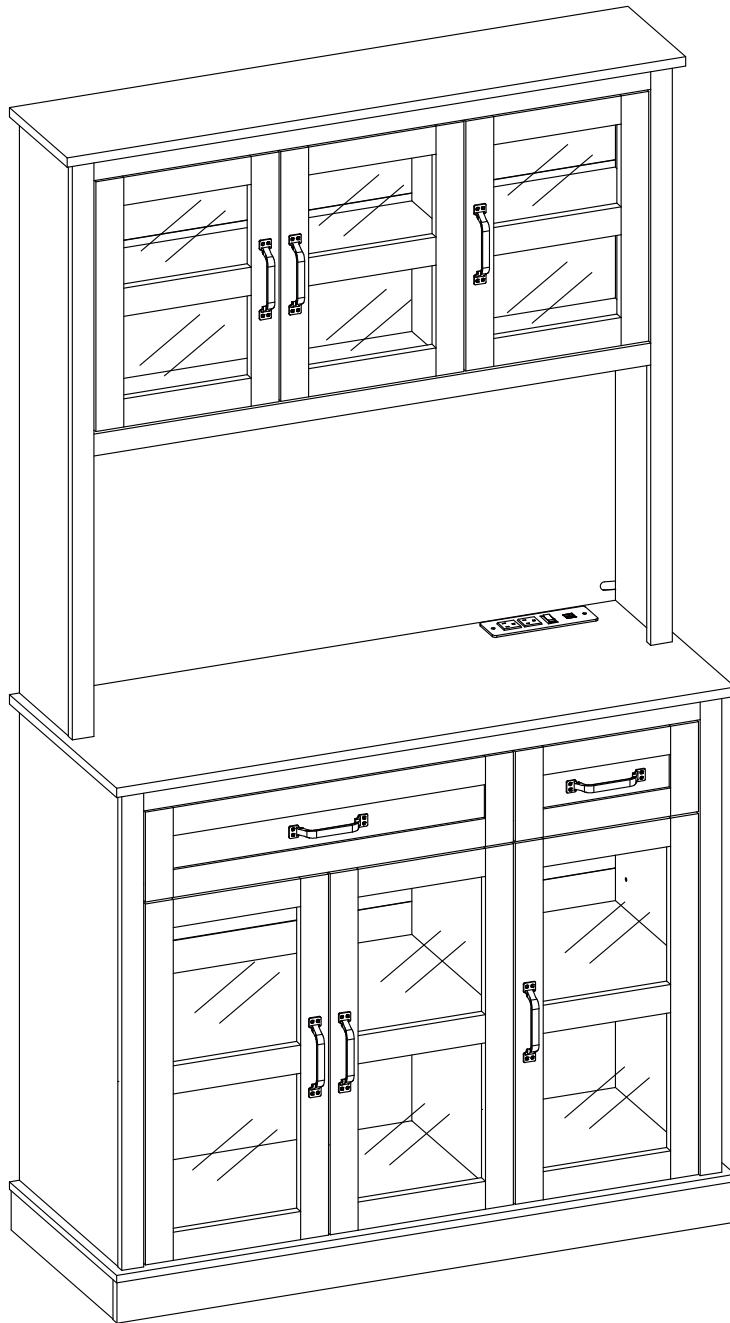


Cabinet > Manual



Thank you for purchase on our products. Please contact us if you have difficulty with assembly or need replacement parts. Our customer service is here to assist you. Please attach your User Name or Order ID so that we can assist you better.

Vielen Dank für Ihren Kauf von uns Produkten. Bitte kontaktieren Sie uns, wenn Sie Probleme mit Montage haben oder Ersatzteile benötigen. Wir Kundenservice ist für Sie da. Bitte geben Sie Ihren Benutzernamen oder Ihre Bestellnummer an, damit wir Sie besser unterstützen können.

EN

Thank you for purchase on our products. Please contact us if you have difficulty with assembly or need replacement parts. Our customer service is here to assist you. Please attach your User Name or Order ID so that we can assist you better.

WARNING

Serious or fatal injury may occur from unexpected assembly or use.

1. During the assembly process, keep all parts away from babies or children.
2. Always securely fix this product to the wall. Make sure the wall area to be drilled is free from hidden electrical wires, water and gas pipes.
3. Use of tip-over restraints may only reduce, but not eliminate the risk of tip-over.
4. Unless specially designed to accommodate, do not set heavy objects on top of this product.
5. Place the heaviest items on the lowest shelf.
6. Never allow children to climb or bang on drawers, doors or shelves.

DE

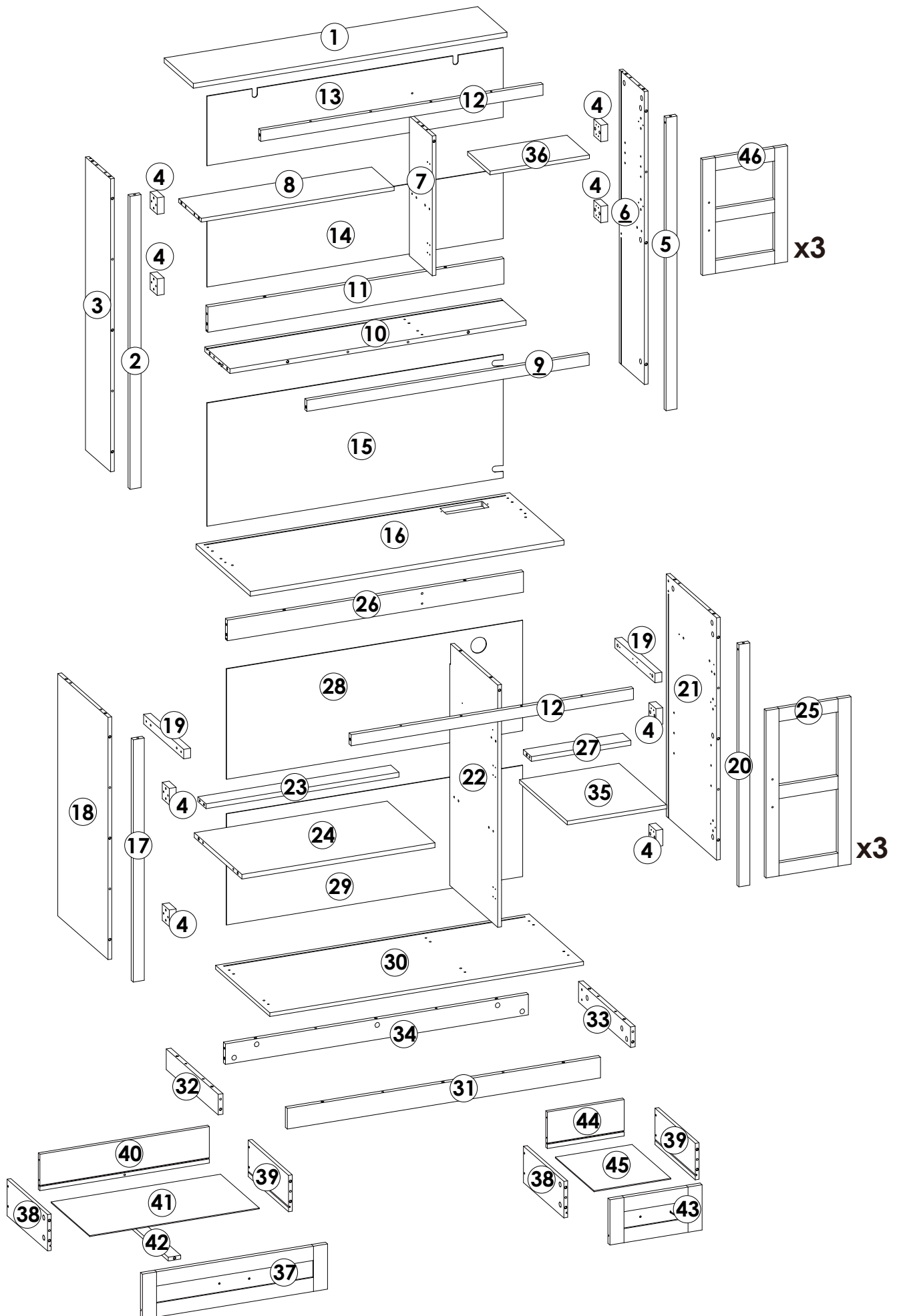
Vielen Dank für Ihren Kauf von uns Produkten. Bitte kontaktieren Sie uns, wenn Sie Probleme mit Montage haben oder Ersatzteile benötigen. Wir Kundenservice ist für Sie da. Bitte geben Sie Ihren Benutzernamen oder Ihre Bestellnummer an, damit wir Sie besser unterstützen können.

WARNUNG

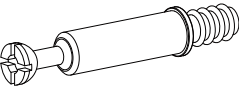
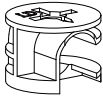
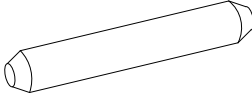
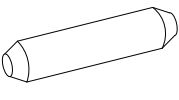
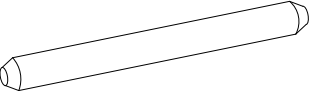
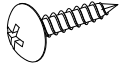

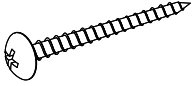
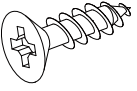
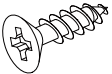
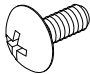
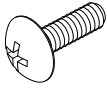
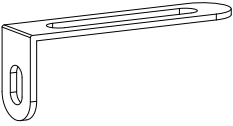

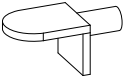
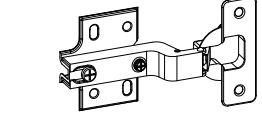
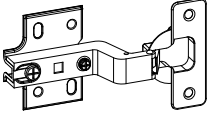

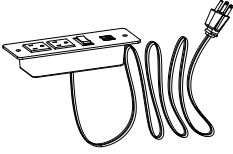
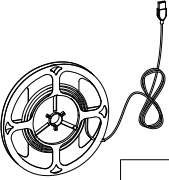
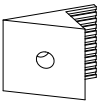
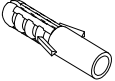
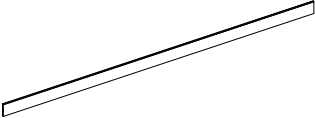
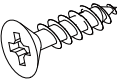
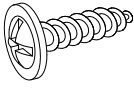

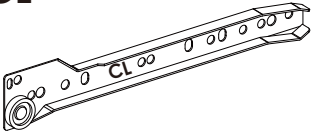
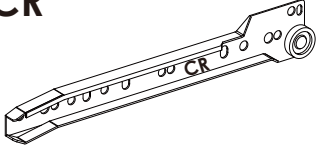
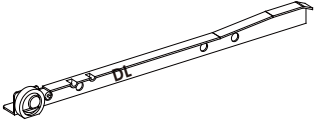
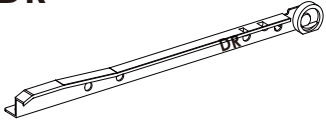
Bei unerwarteter Montage oder Verwendung können schwere oder tödliche Verletzung auftreten.

1. Legen Sie in den Montageprozess alle Teile weg von Babys oder Kindern.
2. Stellen Sie sicher, dass der gebohrte Wandbereich frei von verborgenen Stromkabeln, Wasser- und Gasleitungen ist, wenn Sie dieses Produkt an der Wand befestigen.
3. Die Verwendung von Kippsicherungen kann die Gefahr eines Kippens nur verringern, jedoch nicht beseitigen.
4. Setzen Sie bitte keine schweren Gegenstände auf dieses Produkt, es sei denn, dass das Produkt speziell für die Unterbringung konzipiert wird.
5. Legen Sie bitte die schwersten Gegenstände auf das unterste Regal.
6. Erlauben Sie nie Kindern, auf Schubladen, Türen oder Regale zu klettern oder zu knallen.

Parts List(EN) / Teile Liste(DE)

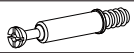
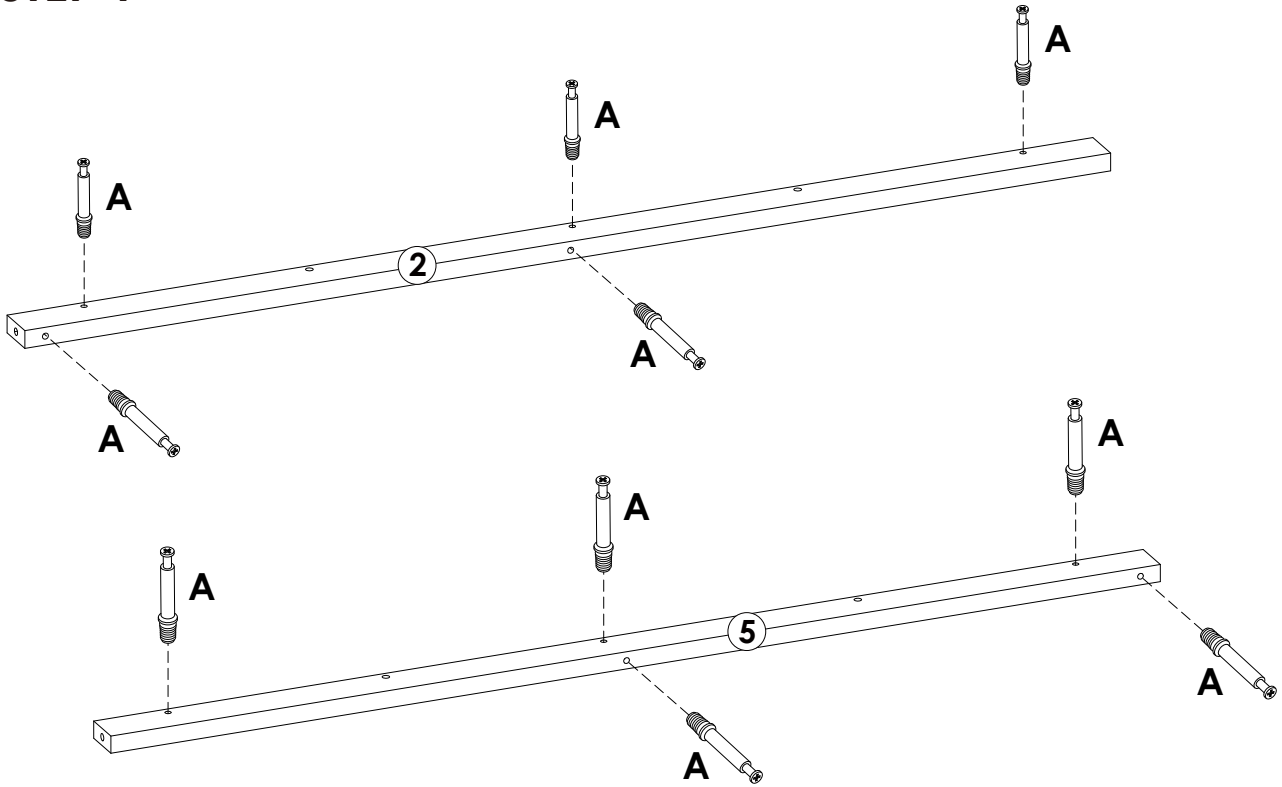


Parts List(EN) / Teile Liste(DE)

A  M6x35mm 81+2PCS	B  Ø15x10mm 81+2PCS	C  Ø6x30mm 79+2PCS	D  Ø6x20mm 20+2PCS
E  Ø6x50mm 1PC	F  M4x12mm 2PCS	G  M4x25mm 20+2PCS	H  M4x35mm 27+2PCS
I  M4x12mm 72+2PCS	J  M3x12mm 24+2PCS	K  M4x10mm 4PCS	L  M4x16mm 12+1PCS
M  2PCS	N  8PCS	O  8+1PCS	P  4PCS
Q  8PCS	R  Ø10x2mm 6PCS	S  1PC	T  1PC
U  18+2PCS	V  2PCS	W  2PCS	X  M3x14mm 20+2PCS
Y  M3x12mm 4PCS	Z  Ø20mm 12+1PCS	CL  L300mm 2PCS	CR  L300mm 2PCS
DL  L300mm 2PCS	DR  L300mm 2PCS		

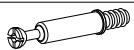
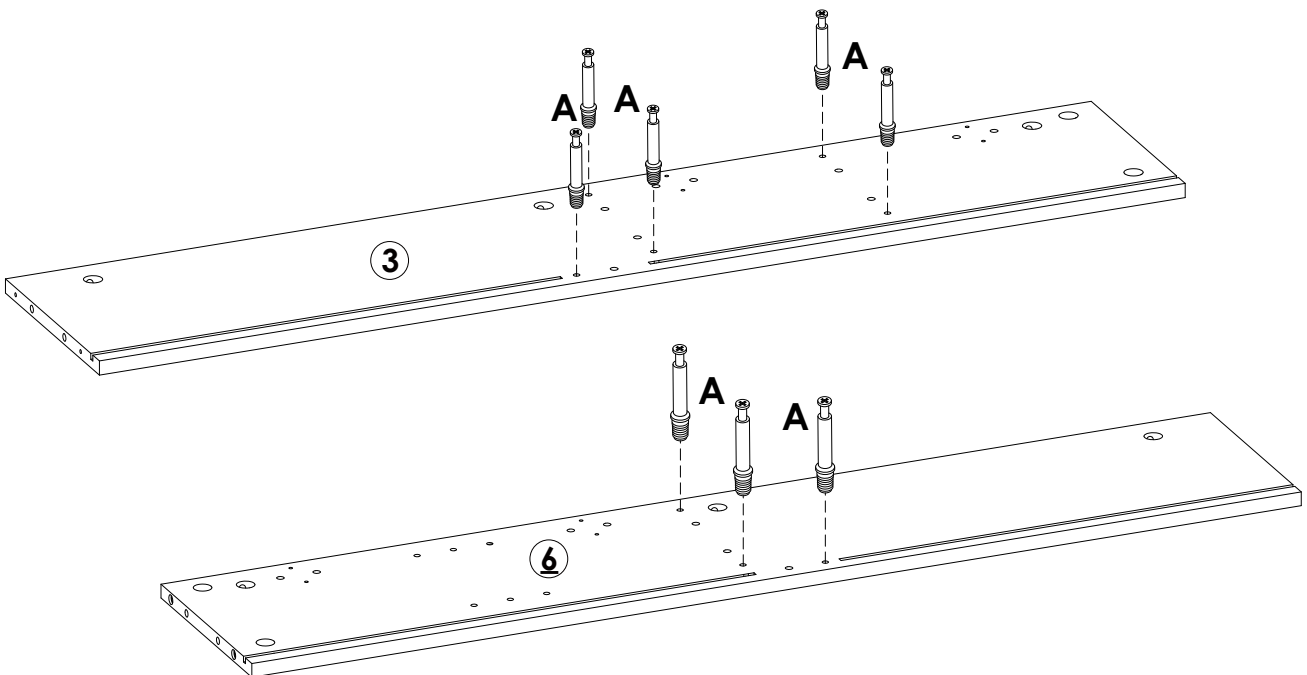
Assembly Steps(EN) / Montageschritte(DE)

STEP 1



A x 10PCS

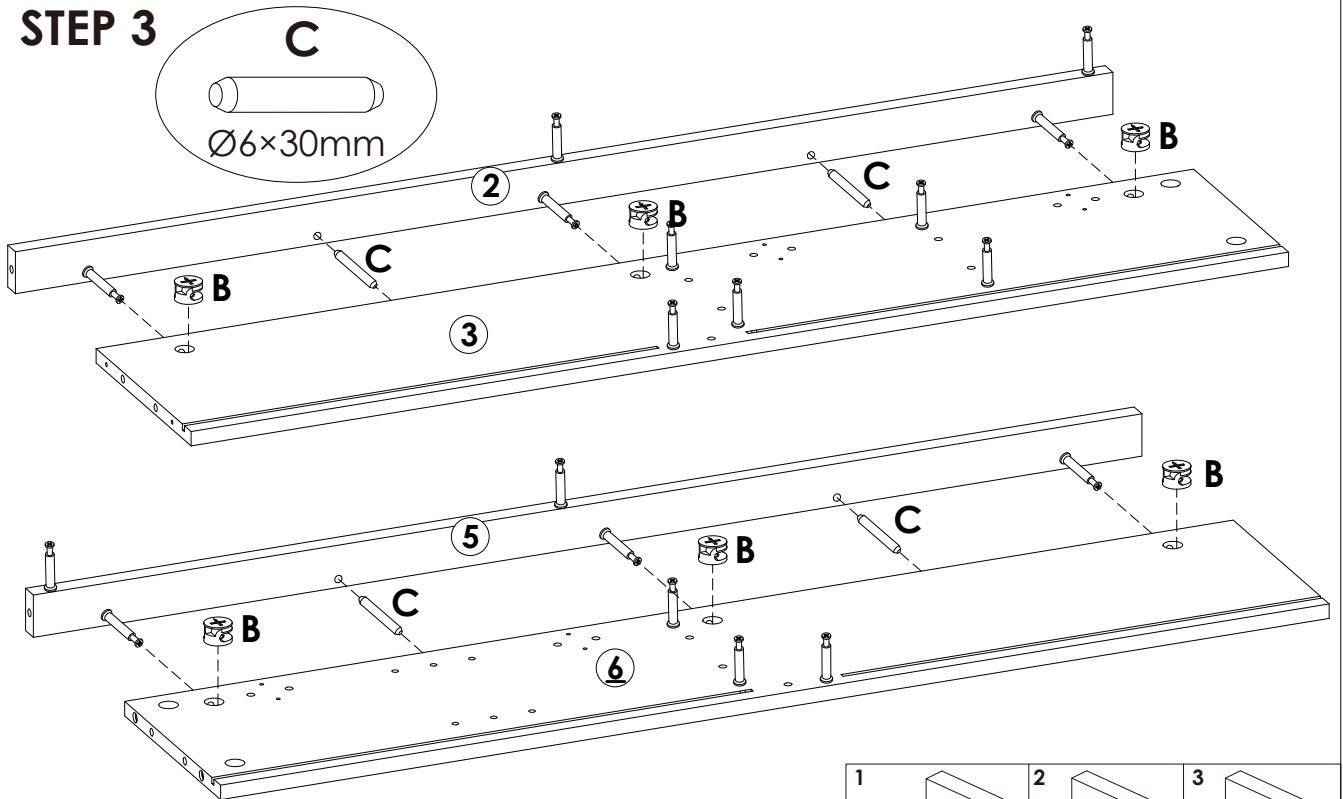
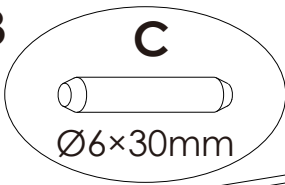
STEP 2



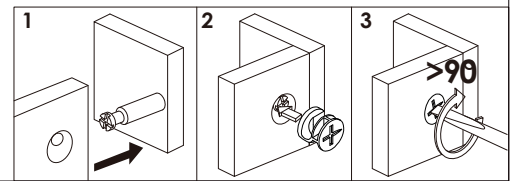
A x 8PCS

Assembly Steps(EN) / Montageschritte(DE)

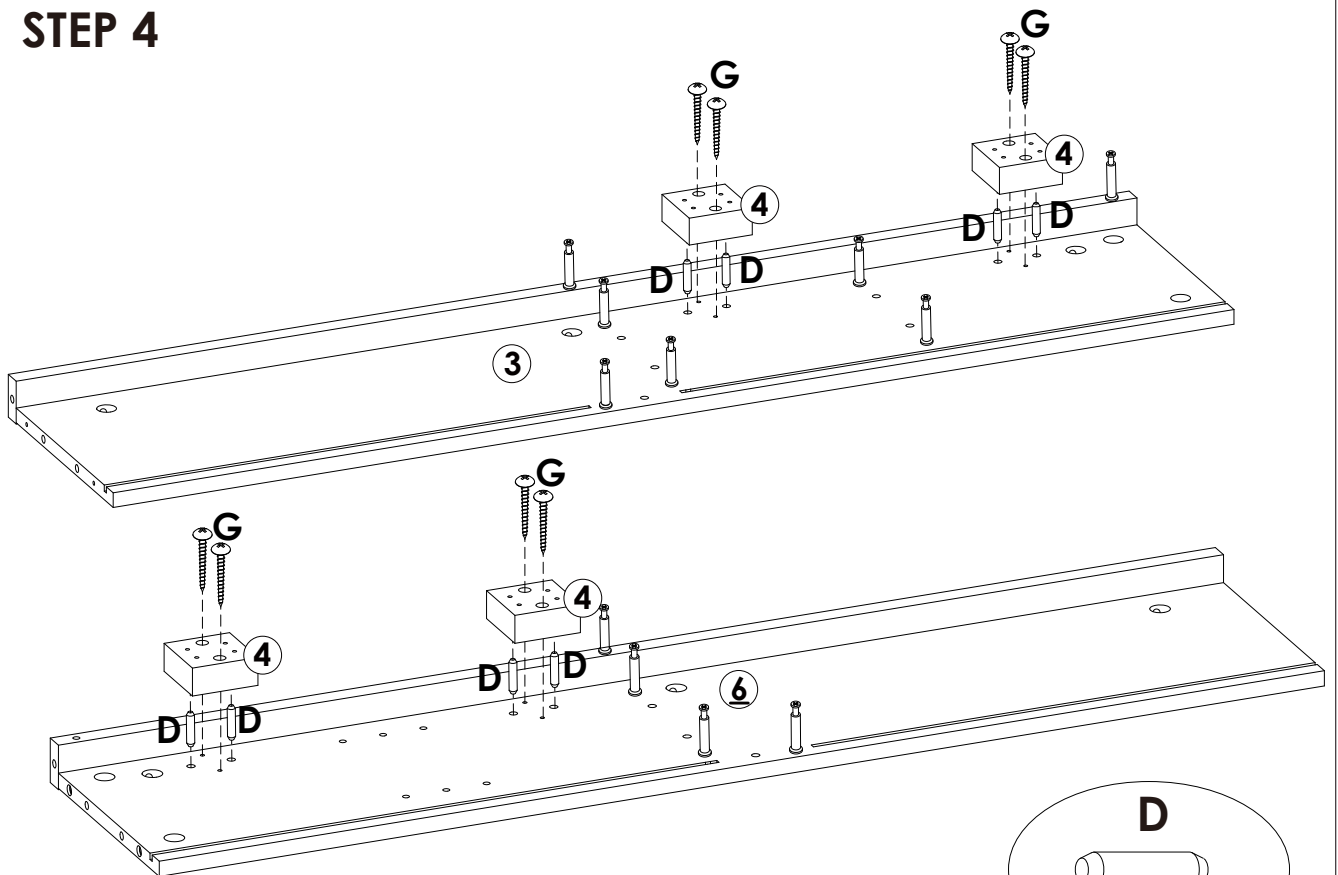
STEP 3



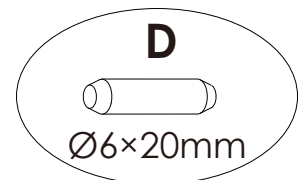
	B x 6PCS
	C x 4PCS



STEP 4

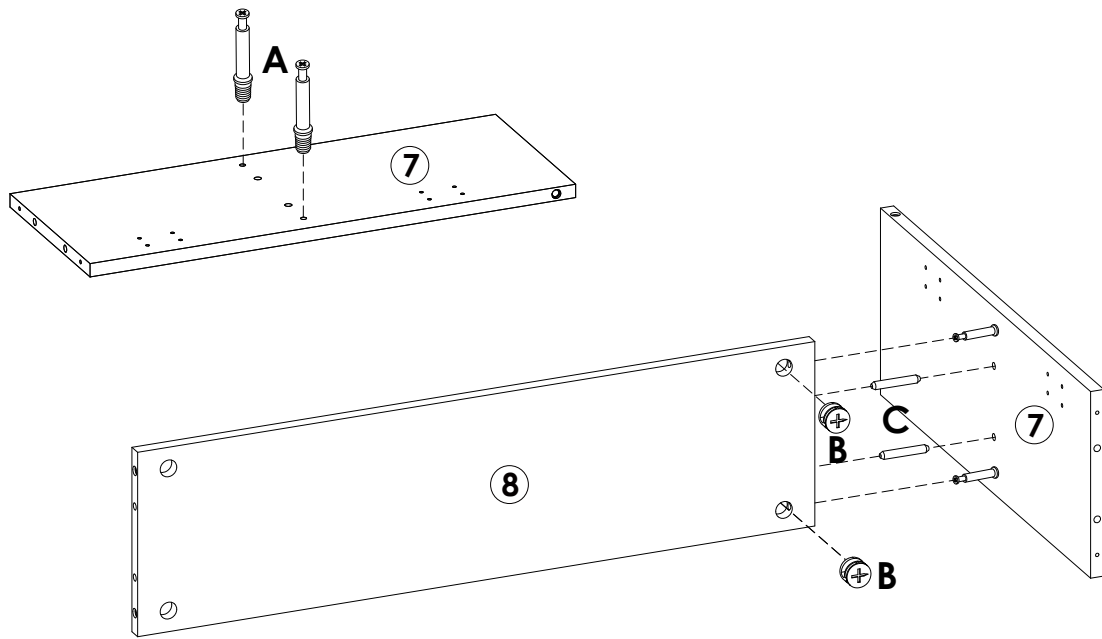


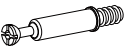


	D x 8PCS
	G x 8PCS



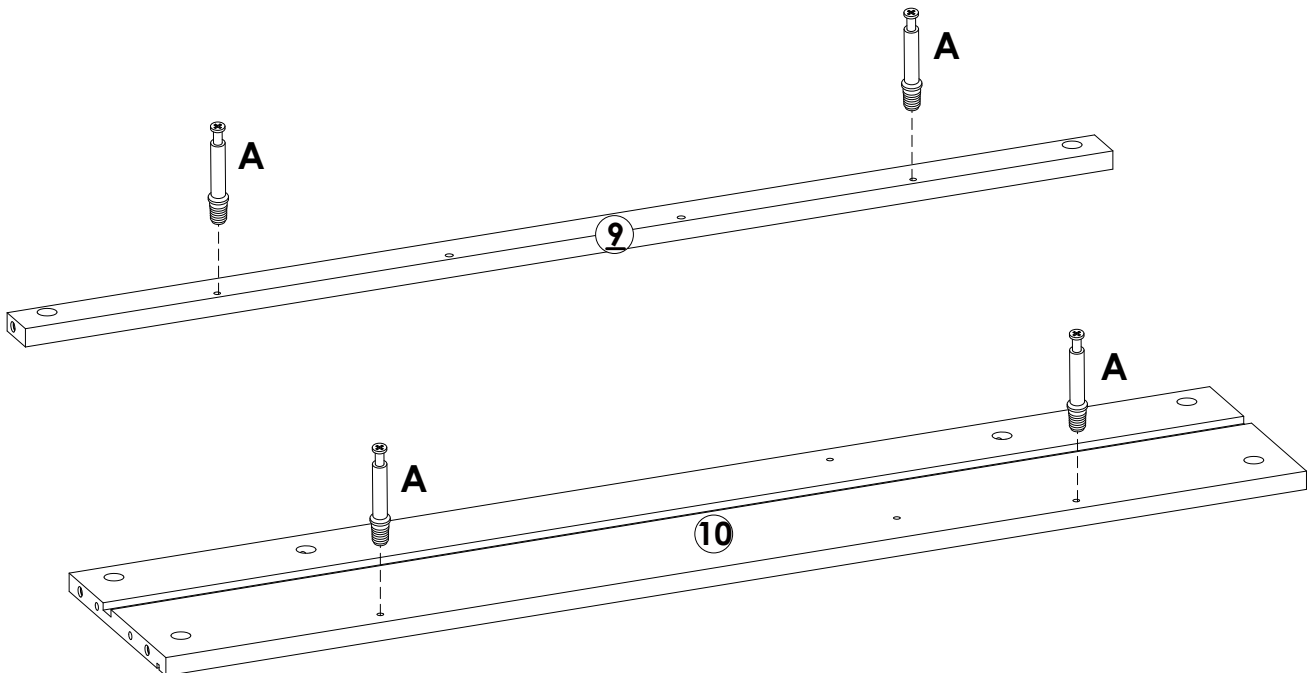
Assembly Steps(EN) / Montageschritte(DE)

STEP 5



	A x 2PCS
	B x 2PCS
	C x 2PCS

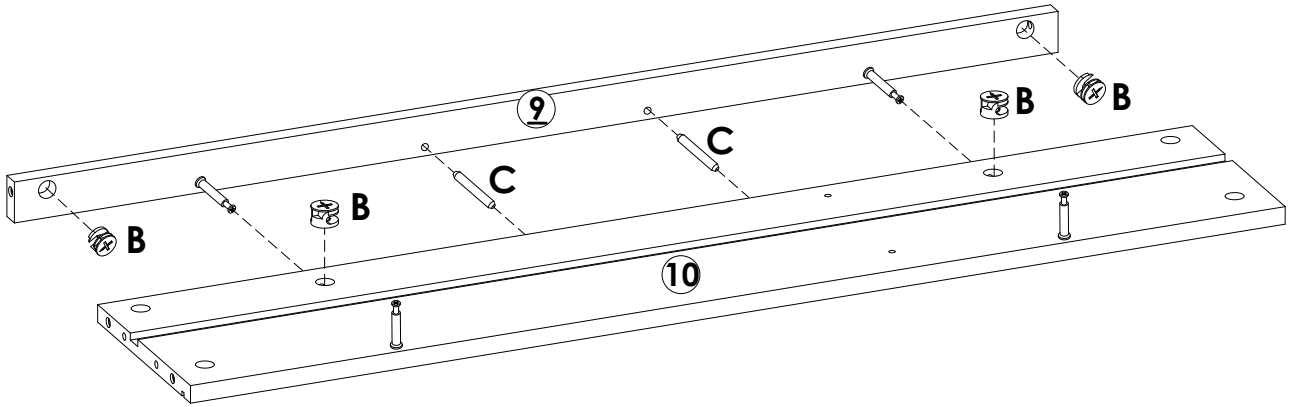
STEP 6





	A x 4PC
---	----------------

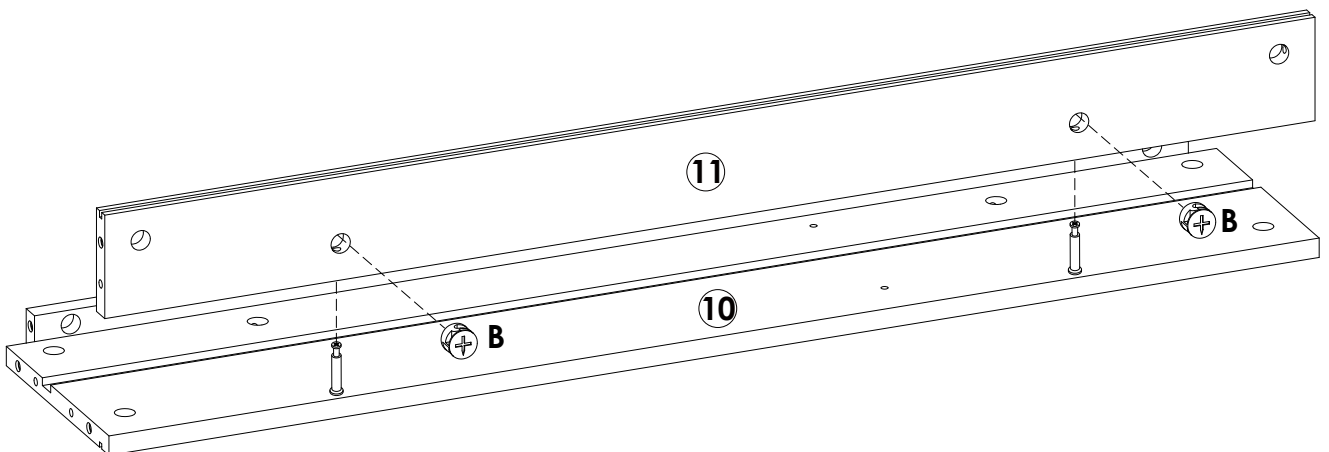
Assembly Steps(EN) / Montageschritte(DE)

STEP 7



	B x 4PCS
	C x 2PCS

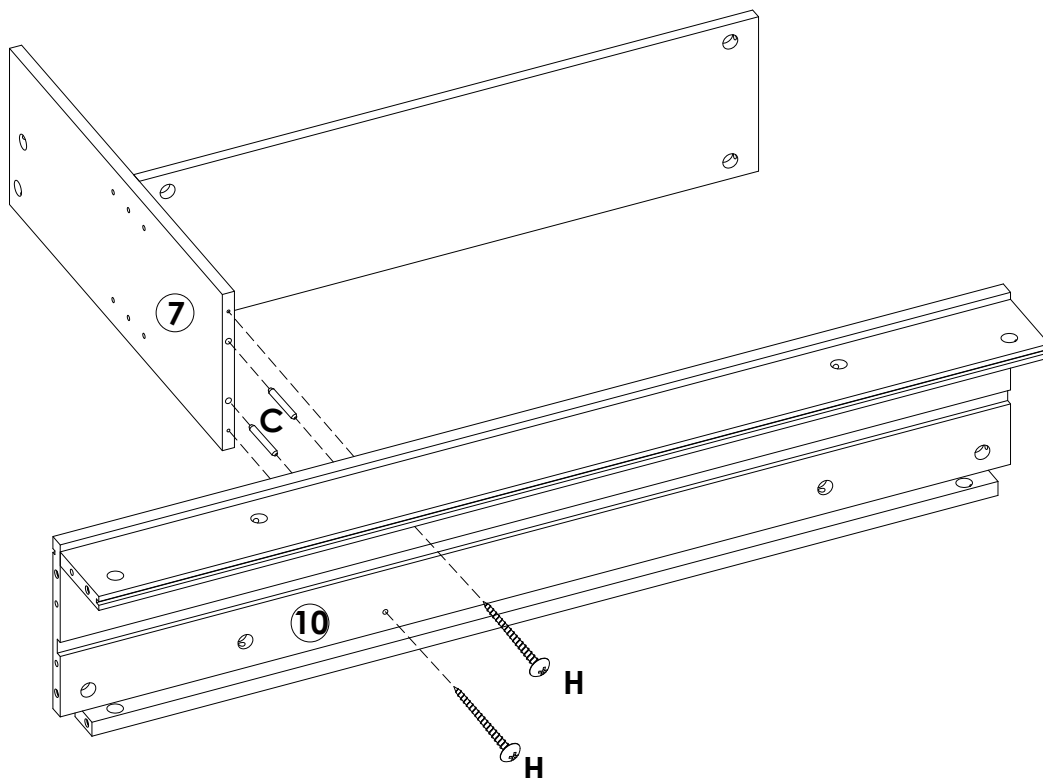
STEP 8





	B x 2PCS
---	-----------------

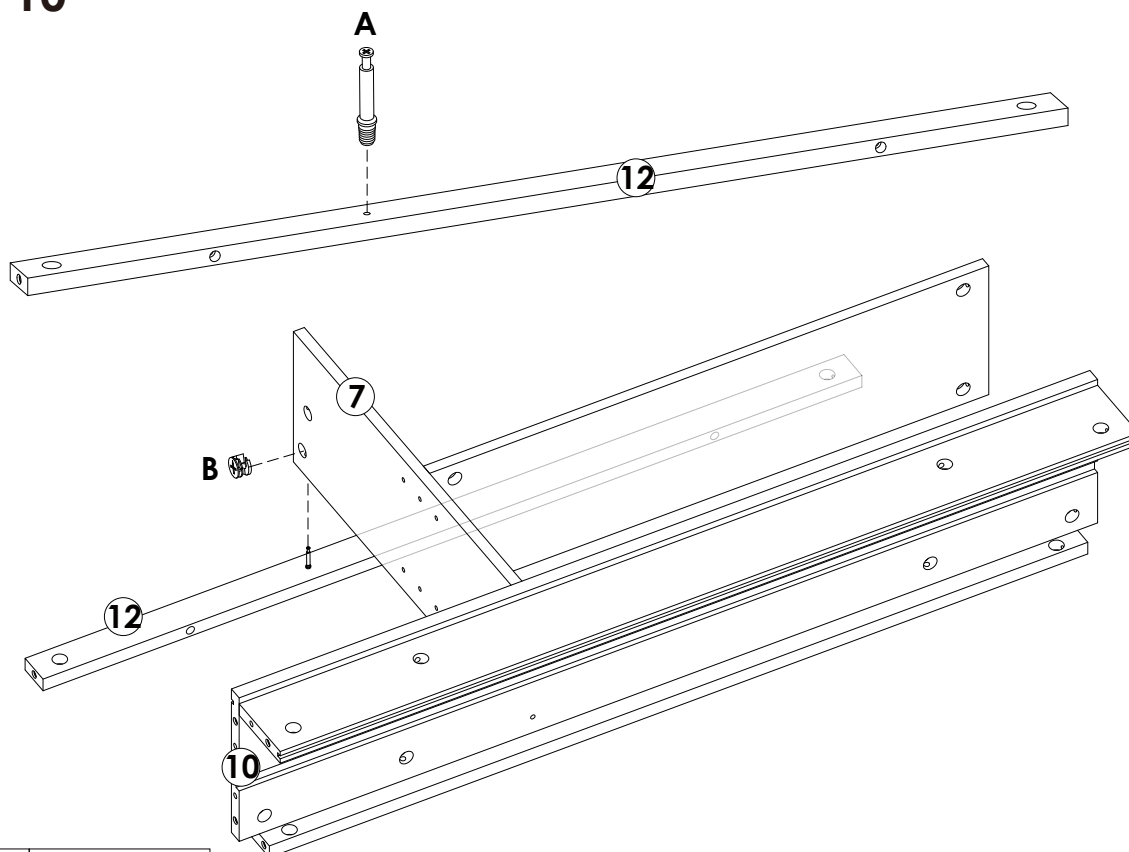
Assembly Steps(EN) / Montageschritte(DE)



STEP 9



	C x 2PCS
	H x 2PCS

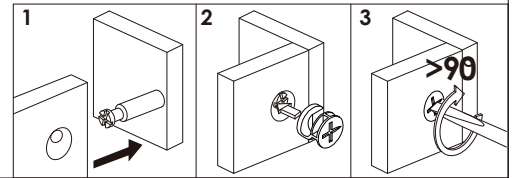
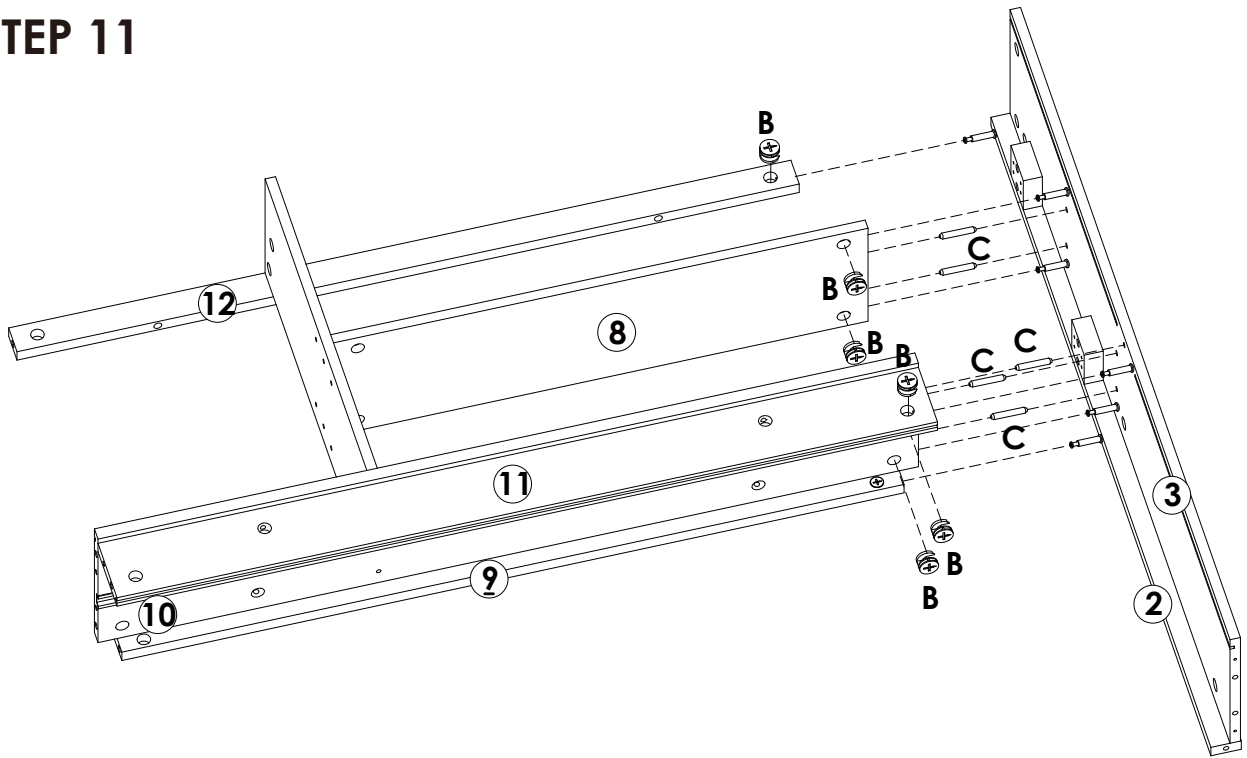
STEP 10





	A x 1PC
	B x 1PC

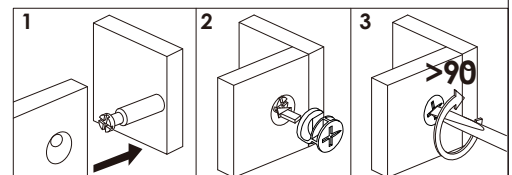
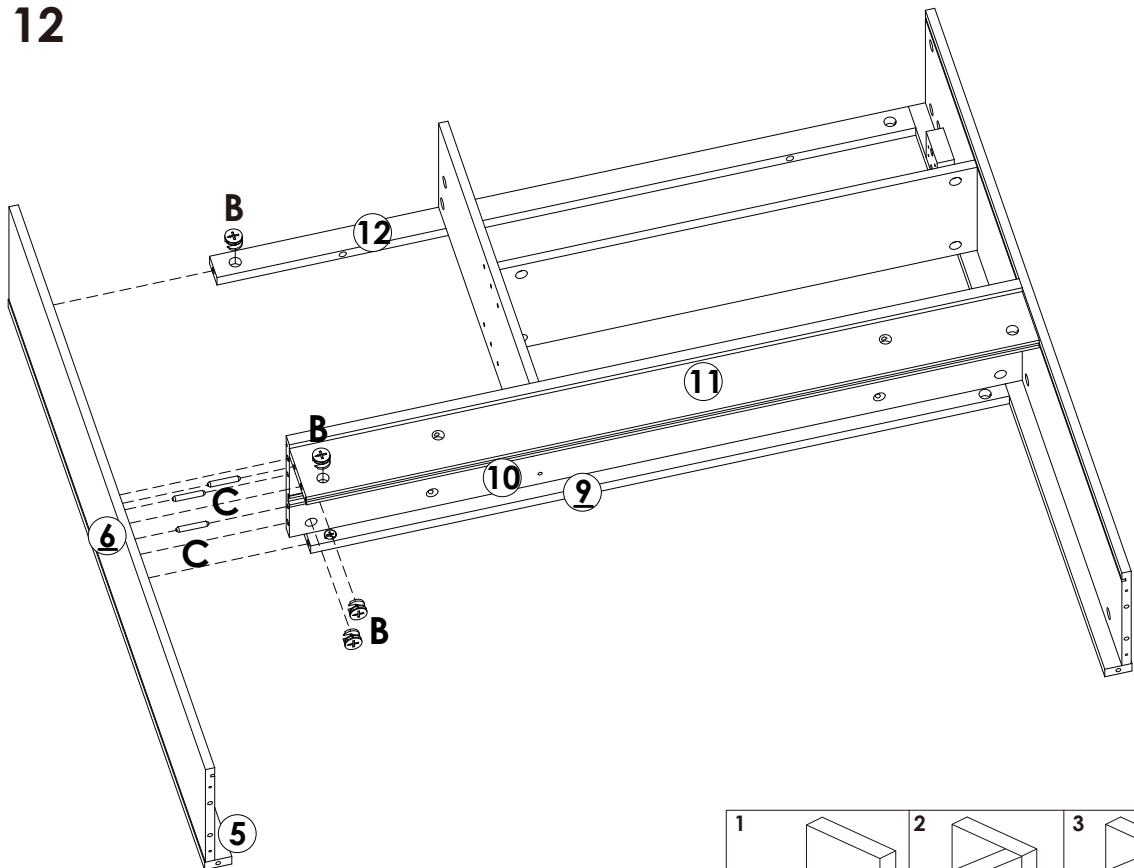
Assembly Steps(EN) / Montageschritte(DE)



STEP 11



	B x 6PCS
	C x 5PCS

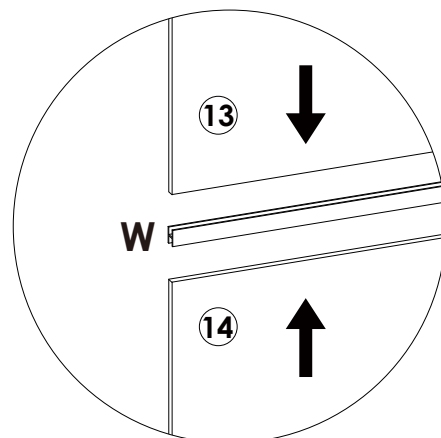
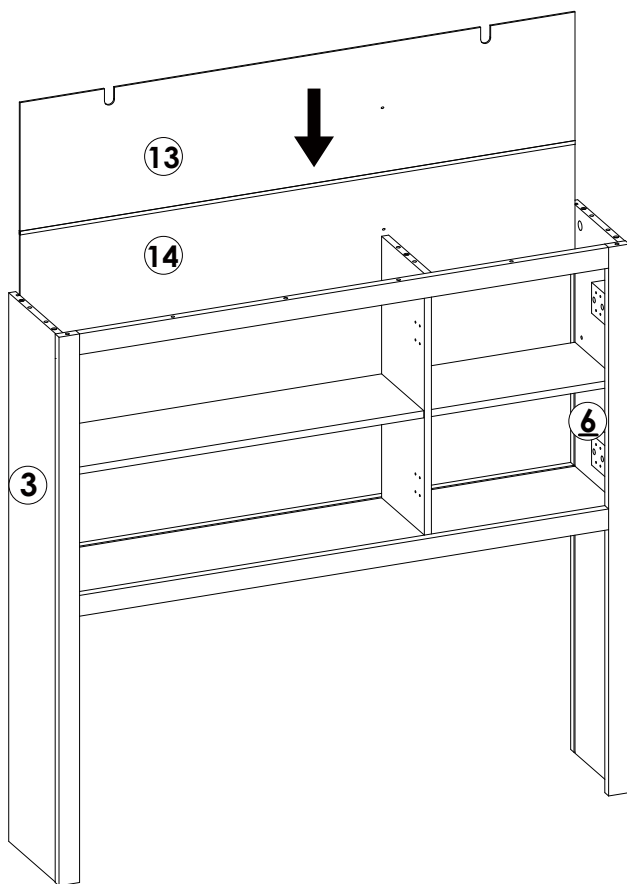
STEP 12



	B x 4PCS
	C x 3PCS

Assembly Steps(EN) / Montageschritte(DE)

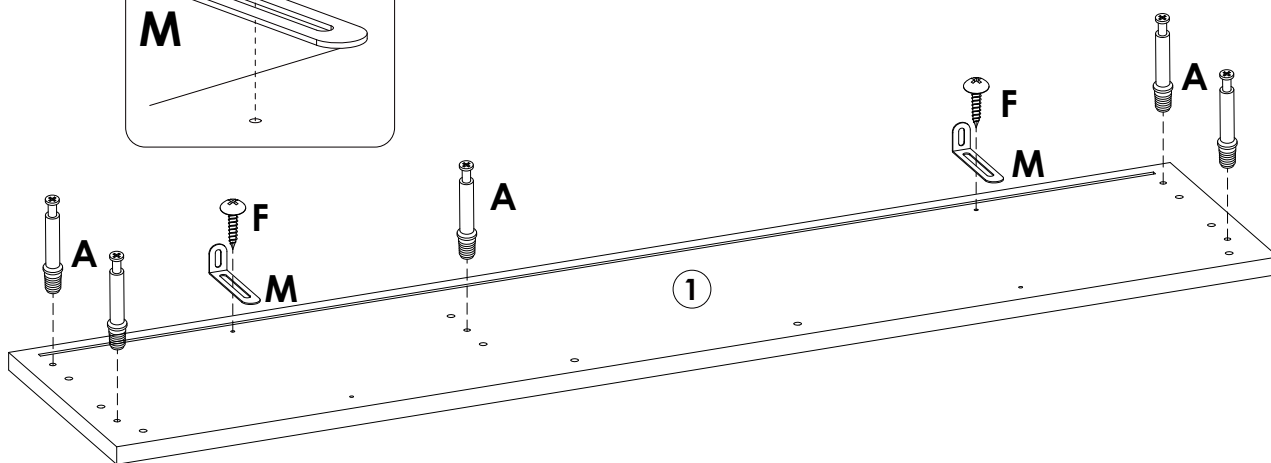
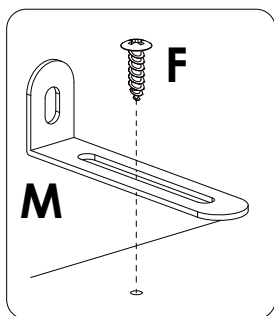
STEP 13

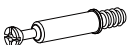




 **W x 1PC**

STEP 14

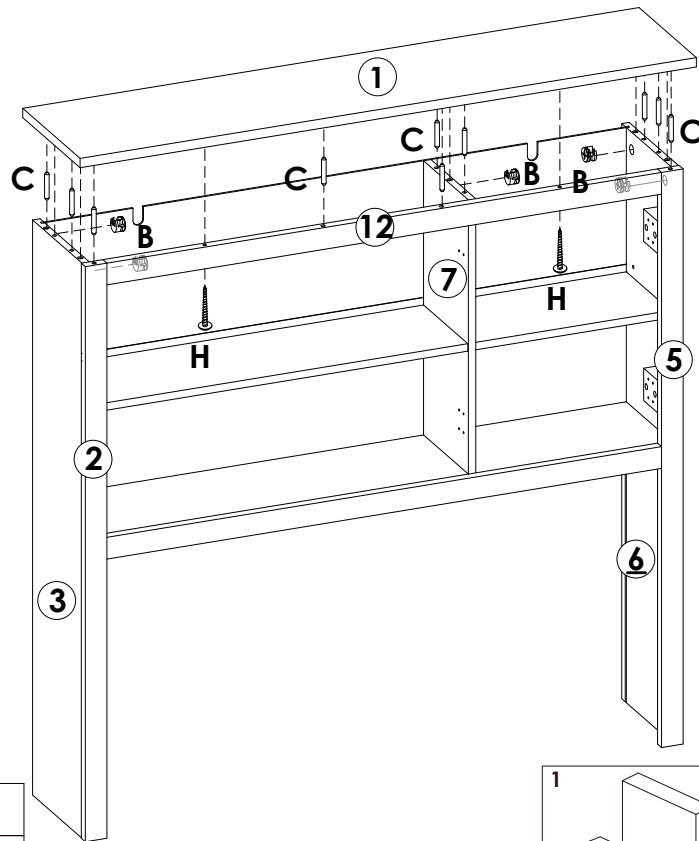
Lock the long side of the "M" L-shaped metal plate to the ① board with the "F" short screw






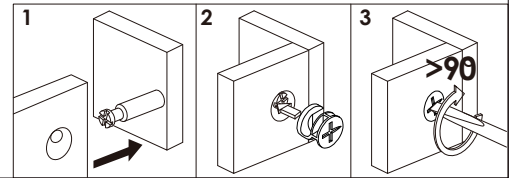
	A x 5PCS
	F x 2PCS
	M x 2PCS

Assembly Steps(EN) / Montageschritte(DE)

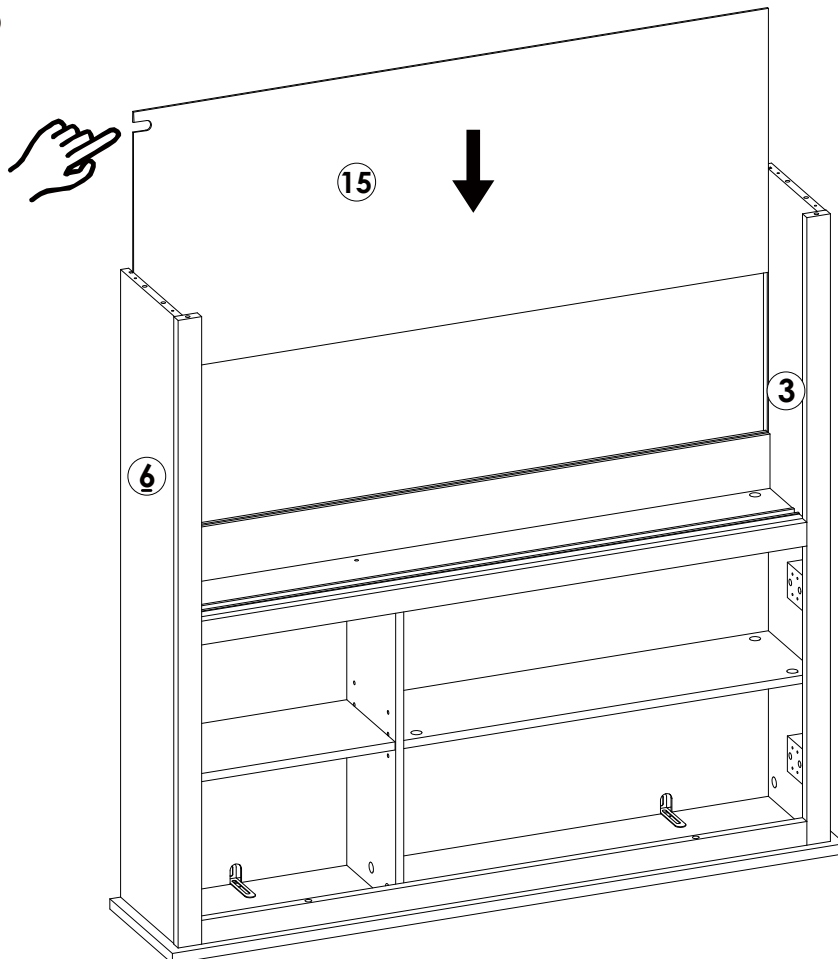
STEP 15



	B x 5PCS
	C x 10PCS
	H x 2PCS

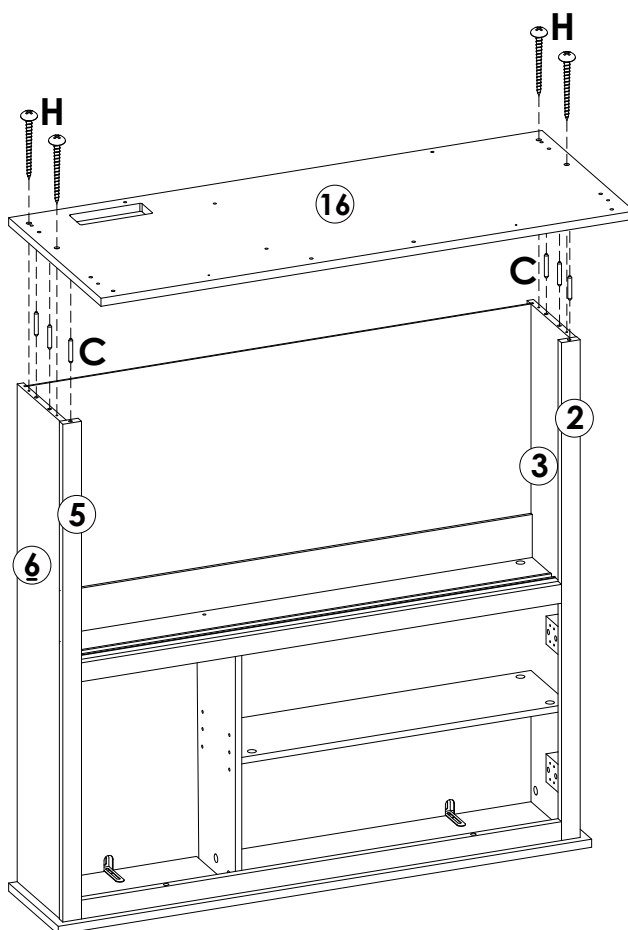




STEP 16



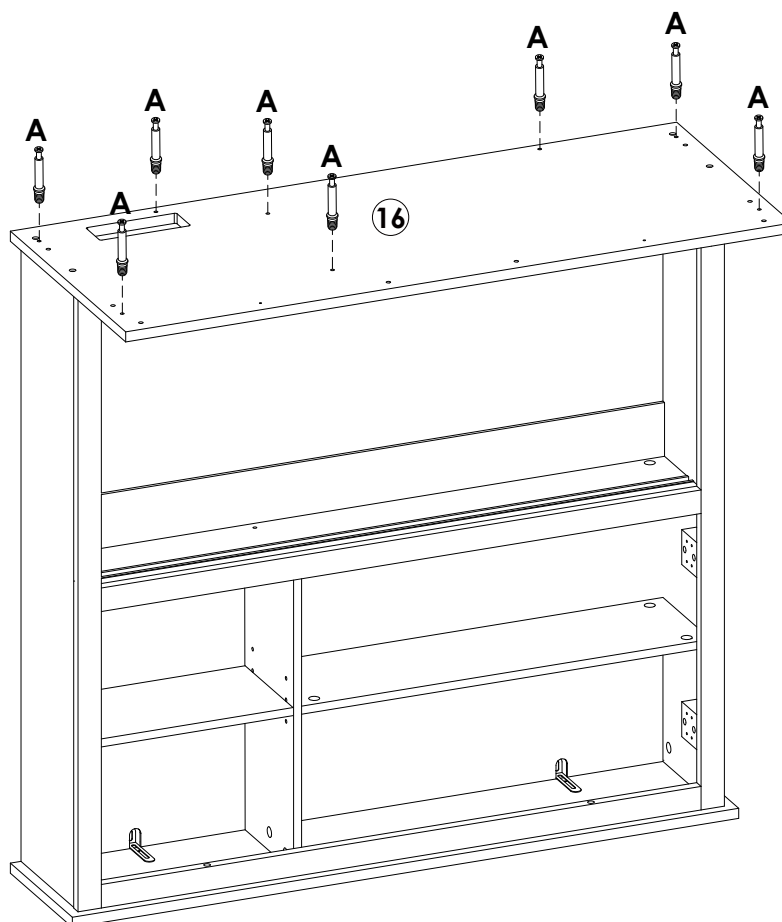
Assembly Steps(EN) / Montageschritte(DE)

STEP 17



	C x 6PCS
	H x 4PCS

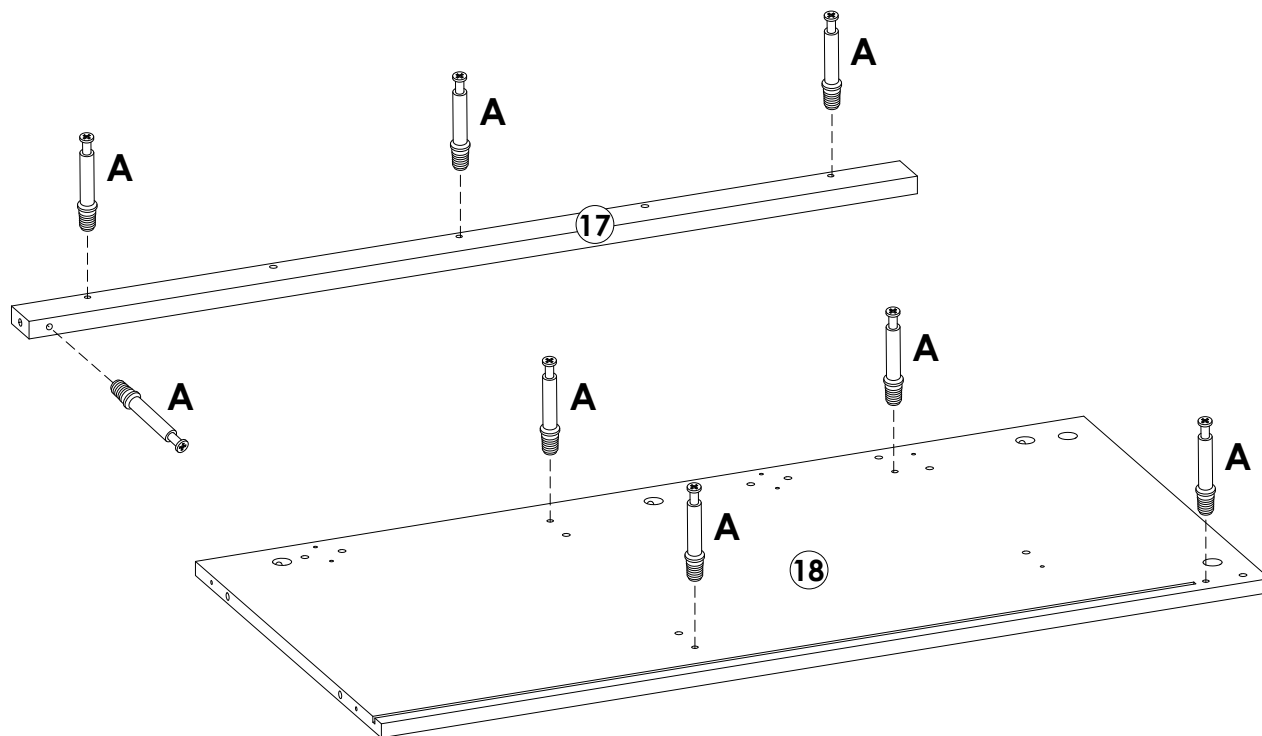
STEP 18



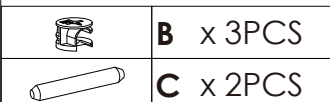
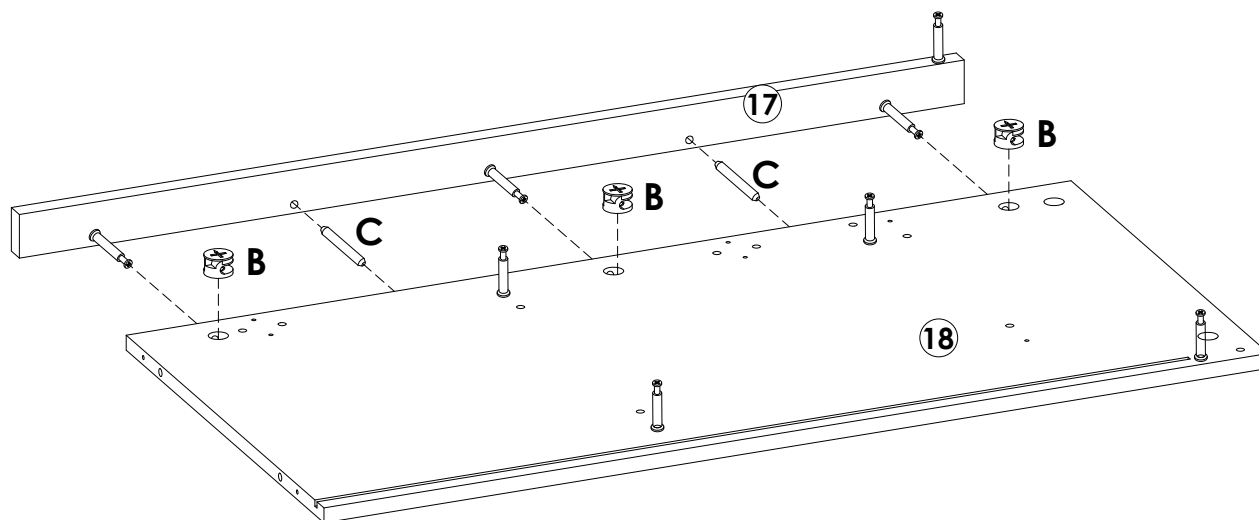
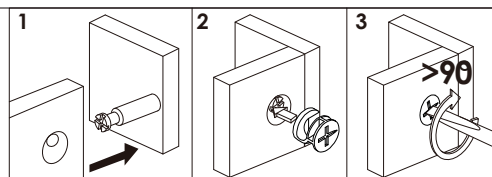
	A x 8PCS
---	----------

Assembly Steps(EN) / Montageschritte(DE)

STEP 19

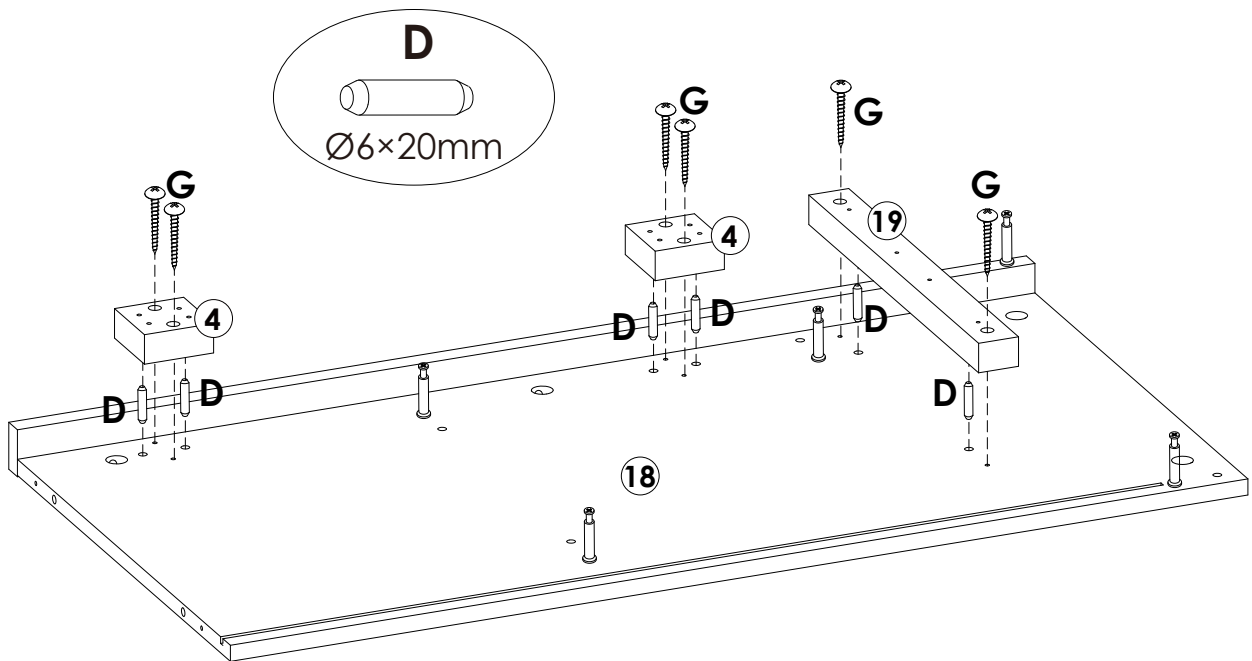


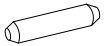

STEP 20



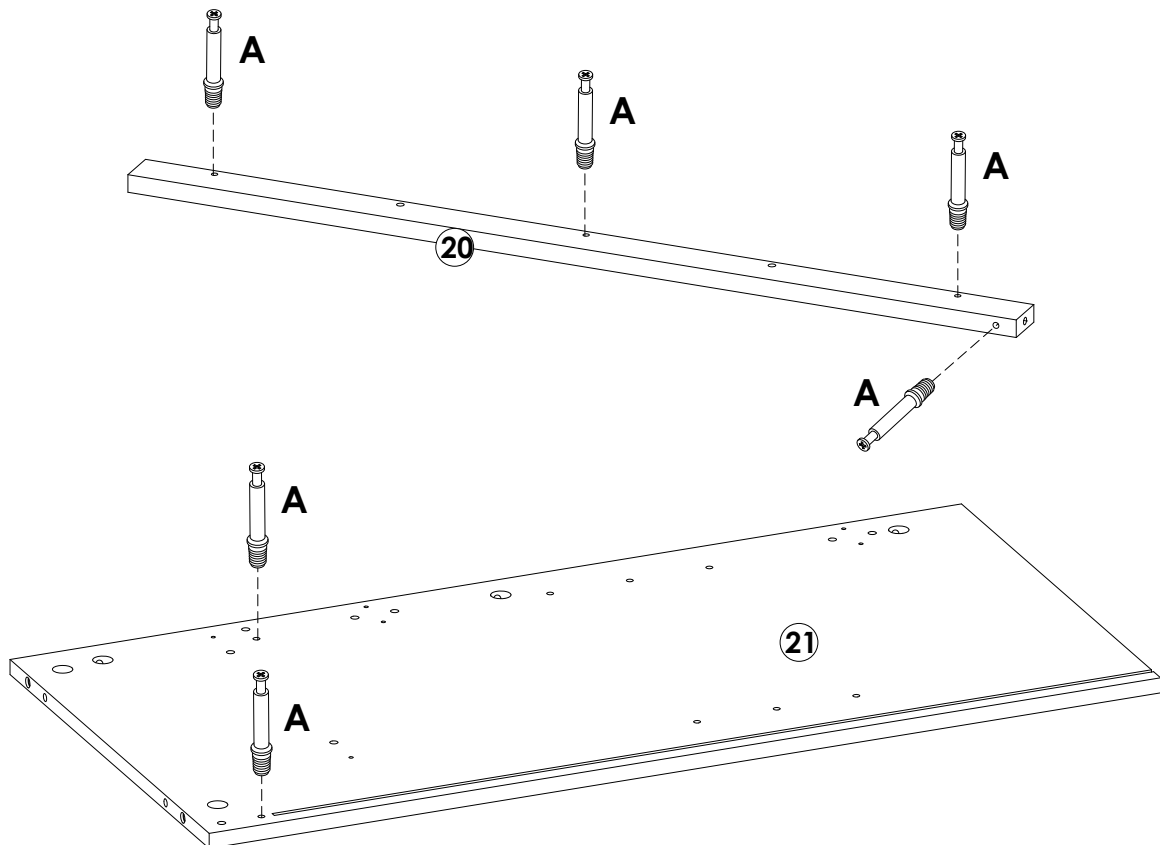
Assembly Steps(EN) / Montageschritte(DE)

STEP 21



	D x 6PCS
	G x 6PCS

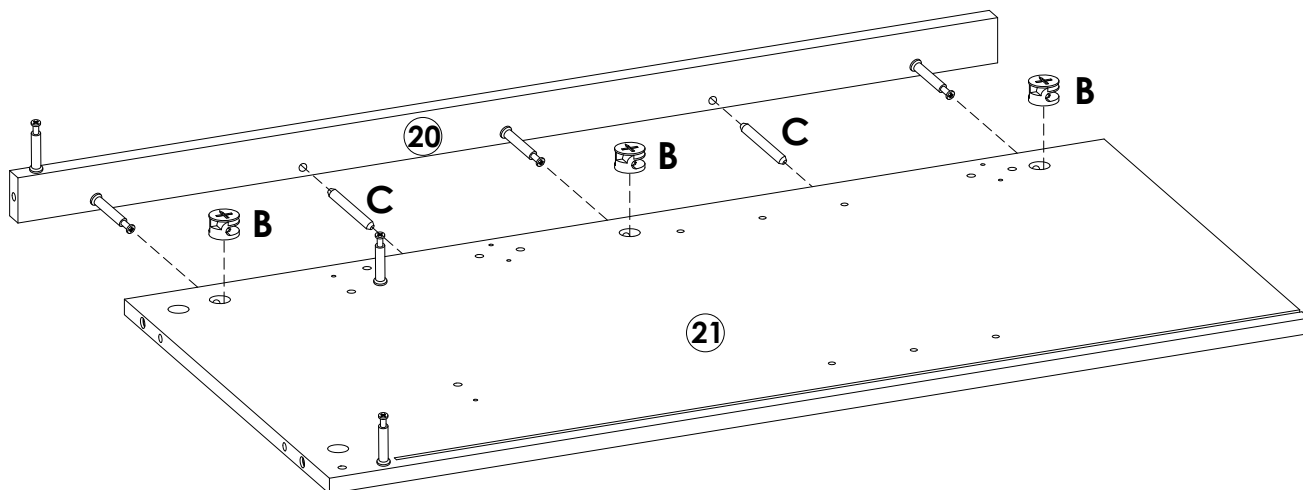
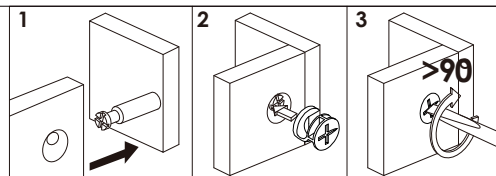
STEP 22





	A x 6PCS
---	-----------------

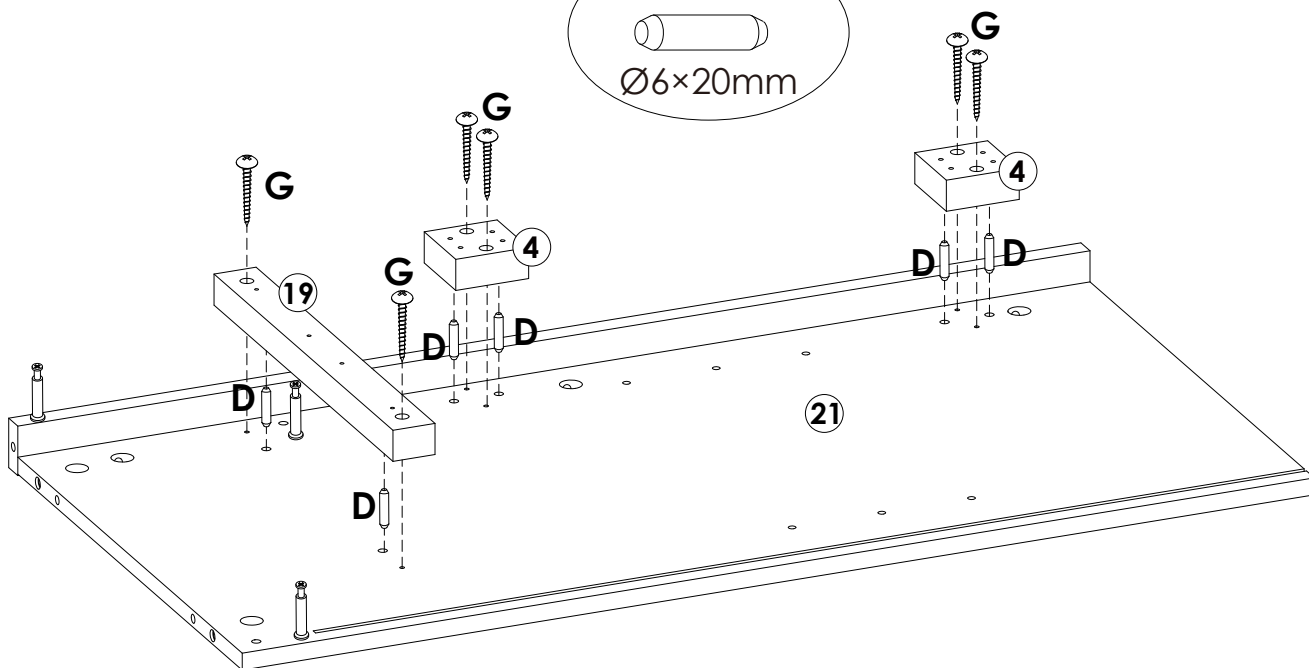
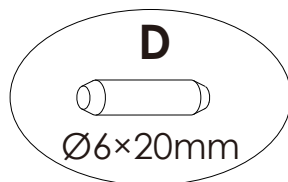
Assembly Steps(EN) / Montageschritte(DE)



STEP 23



	B x 3PCS
	C x 2PCS

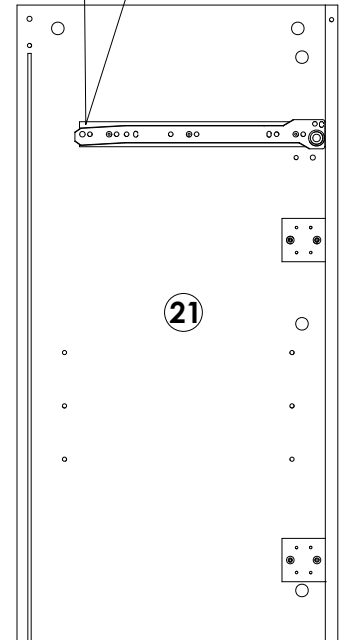
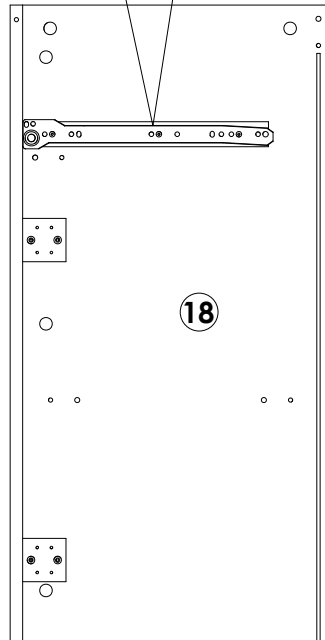
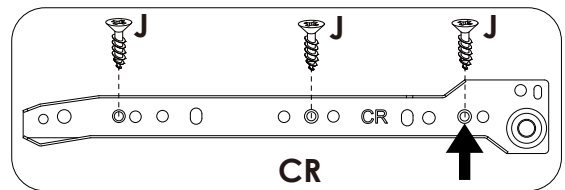
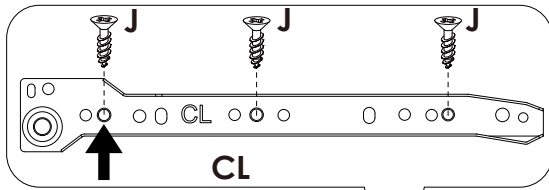
STEP 24



	D x 6PCS
	G x 6PCS

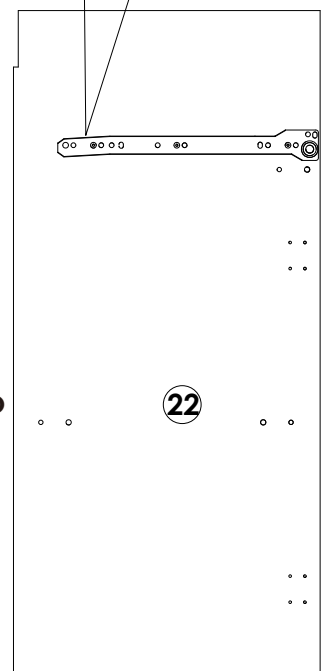
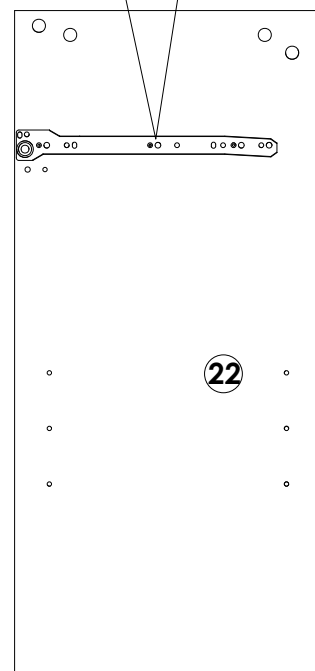
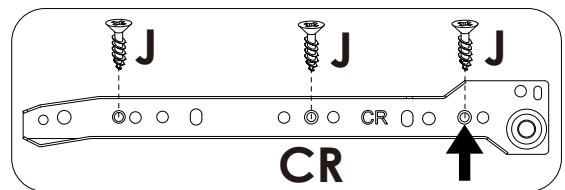
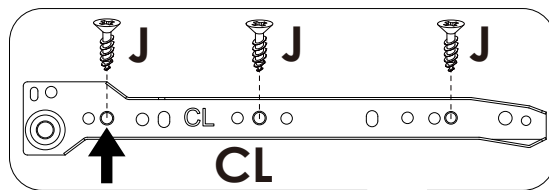
Assembly Steps(EN) / Montageschritte(DE)

STEP 25



	J x 6PCS
	CLx 1PC
	CRx 1PC

STEP 26

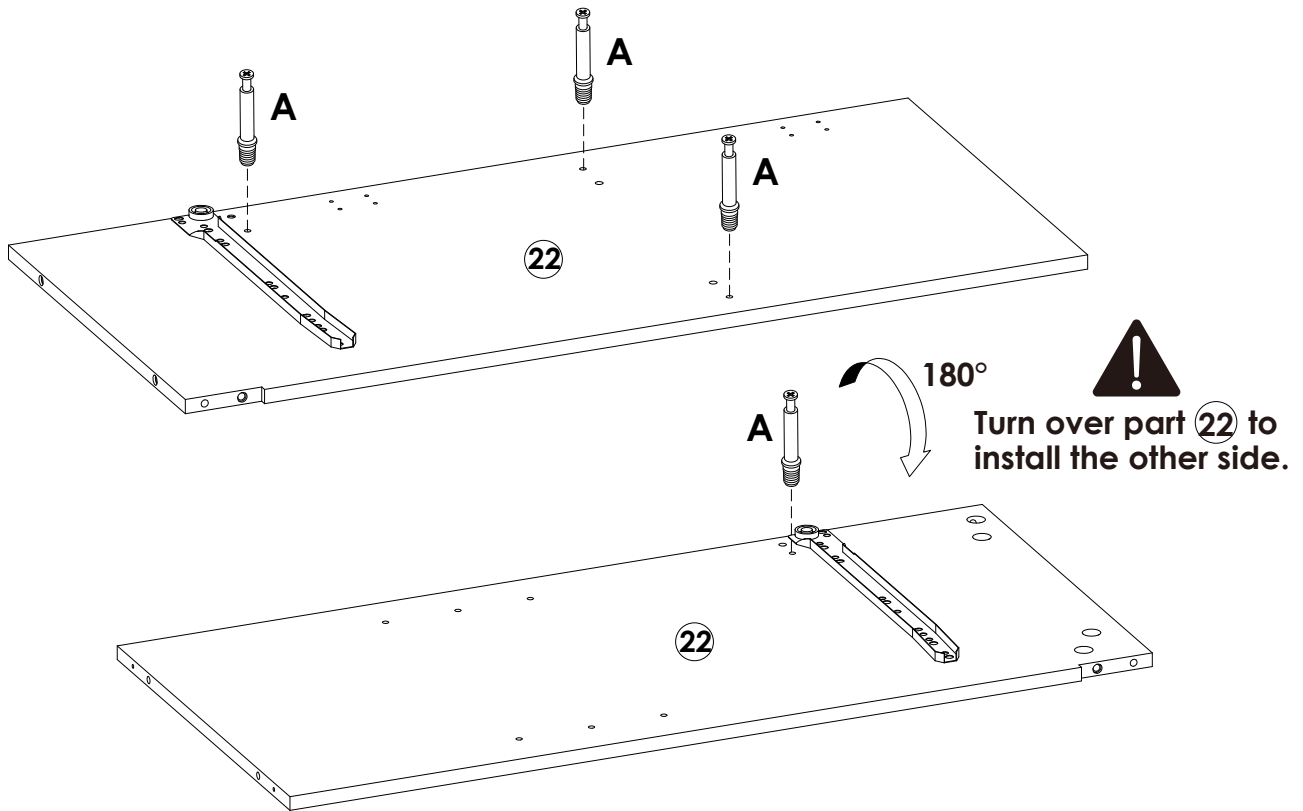


Turn over part 22 to install the other side.

	J x 6PCS
	CLx 1PC
	CRx 1PC

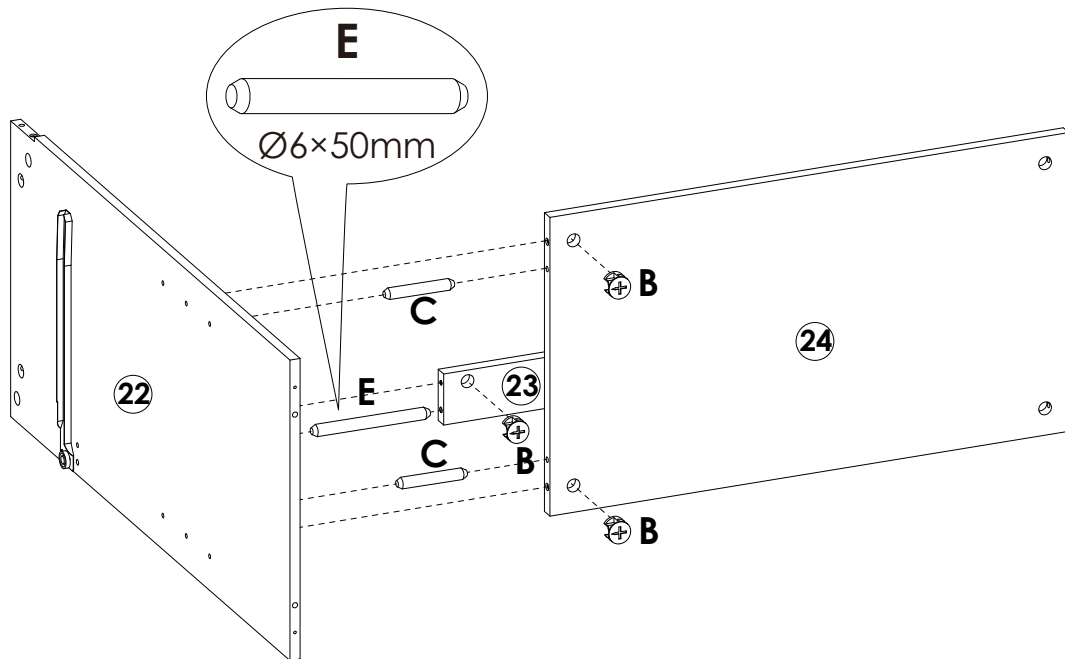
Assembly Steps(EN) / Montageschritte(DE)




STEP 27

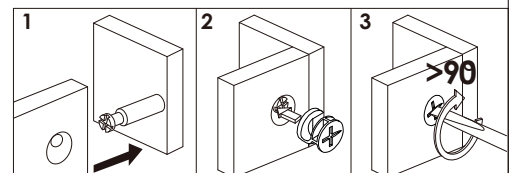


 **A** x 4PCS

STEP 28

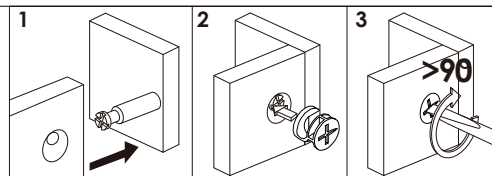
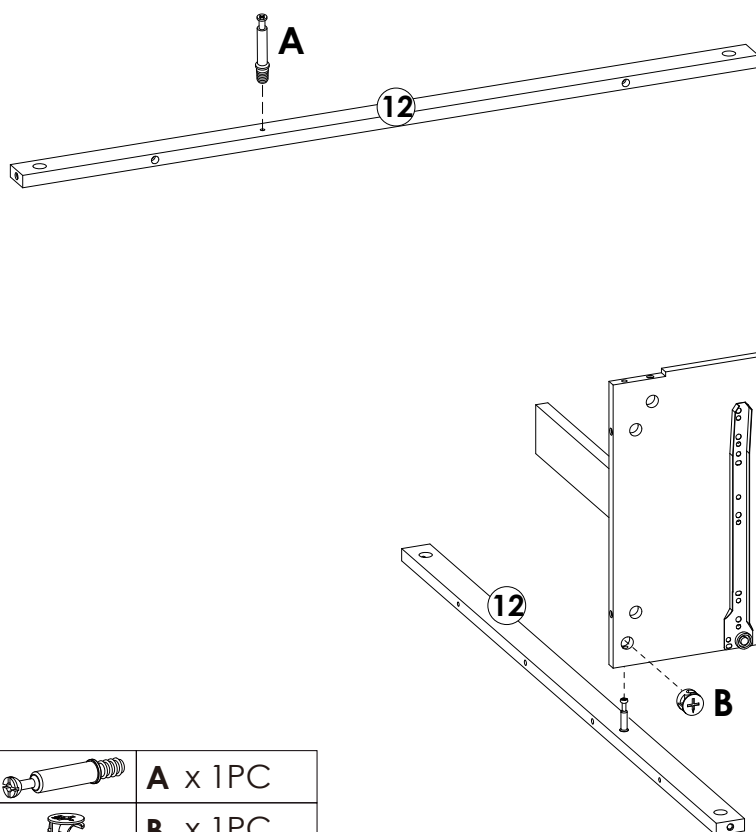


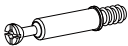

	B x 3PCS
	C x 2PCS
	E x 1PC



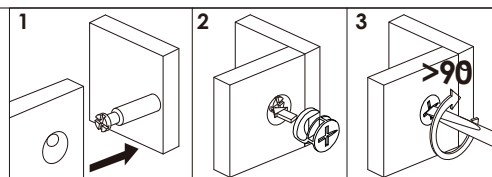
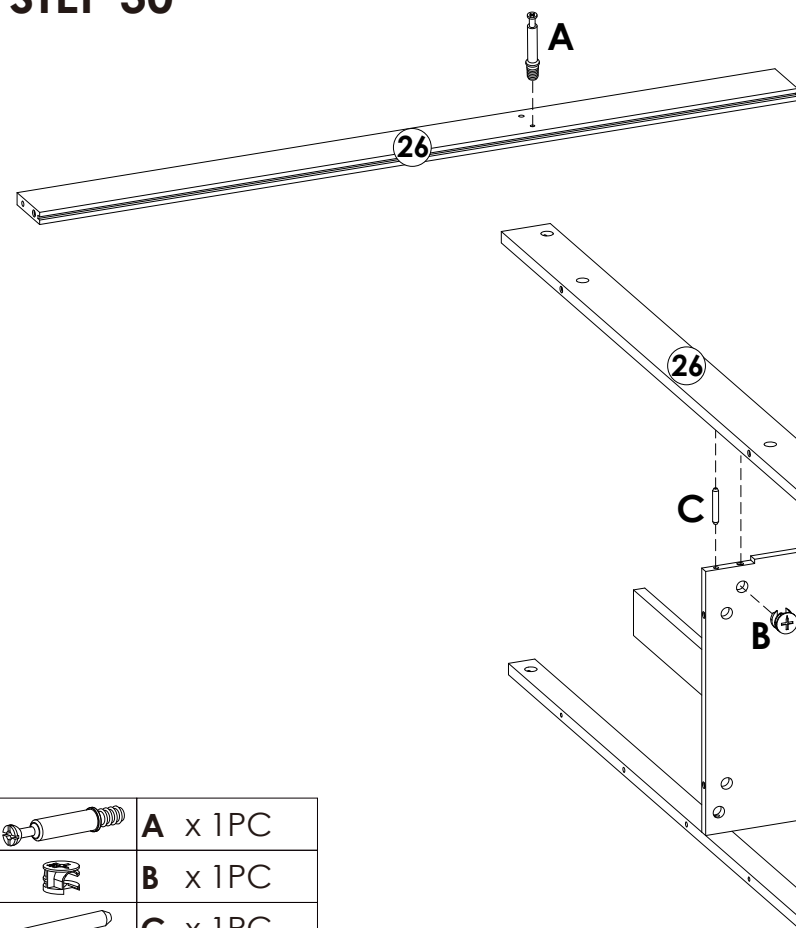
Assembly Steps(EN) / Montageschritte(DE)

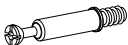

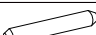
STEP 29



	A x 1PC
	B x 1PC

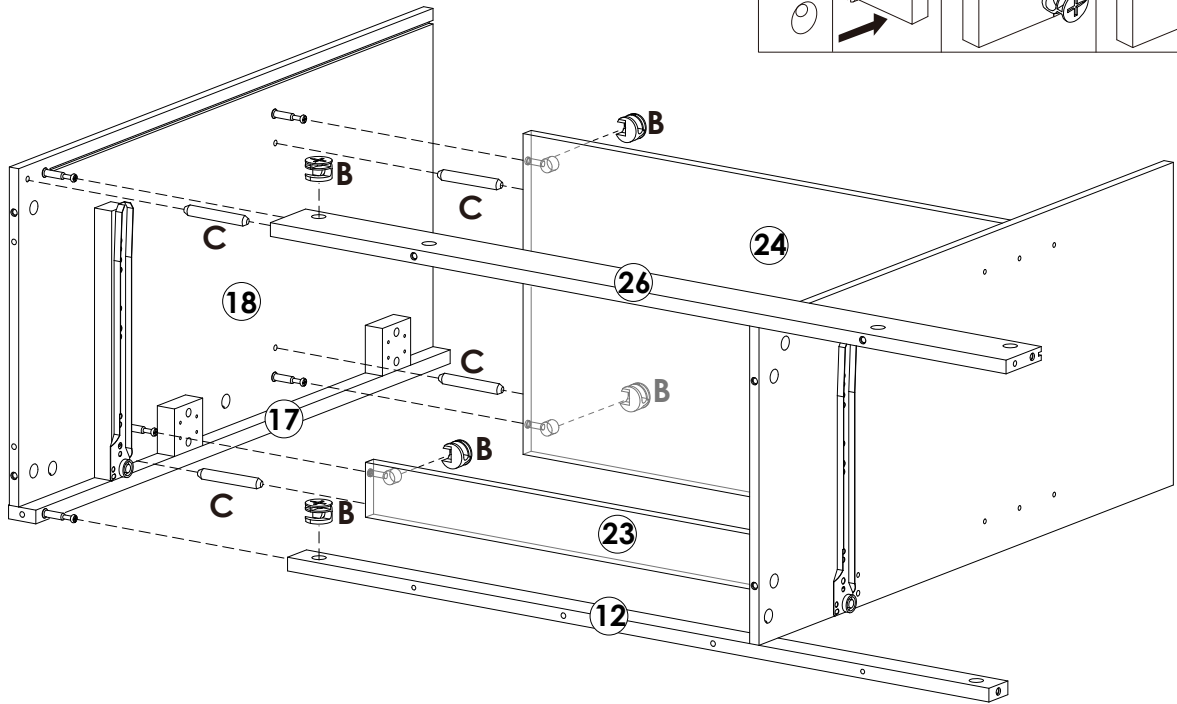
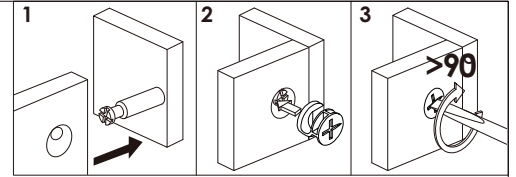
STEP 30





	A x 1PC
	B x 1PC
	C x 1PC

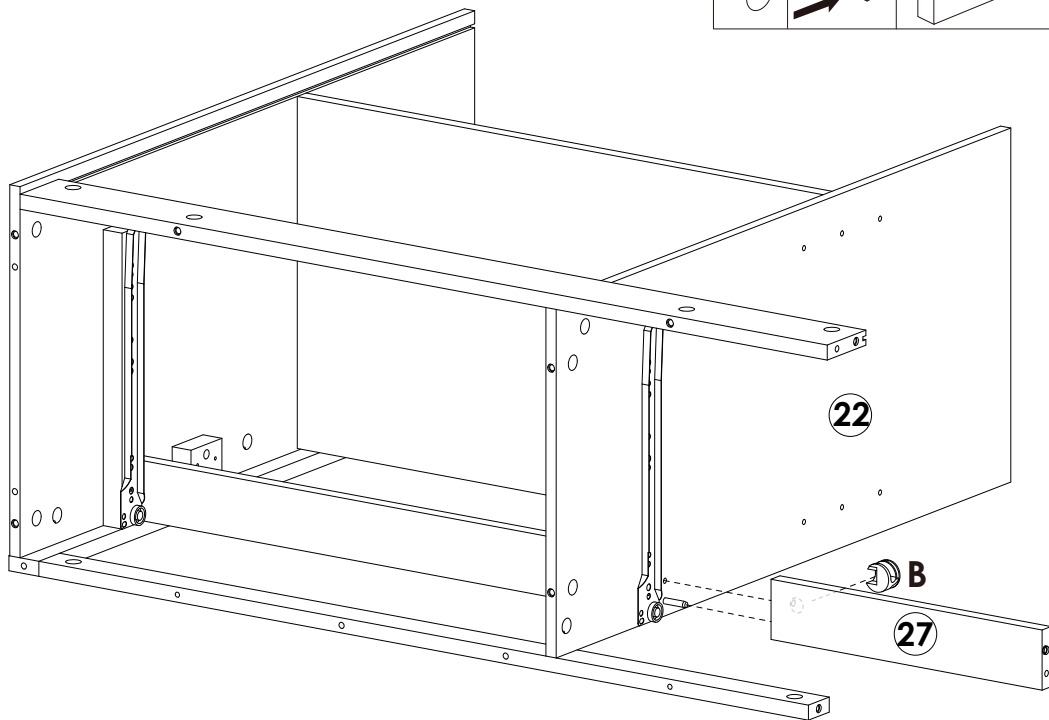
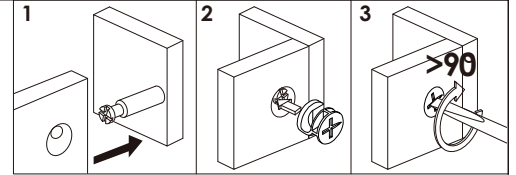
Assembly Steps(EN) / Montageschritte(DE)


STEP 31



	B x 5PCS
	C x 4PCS

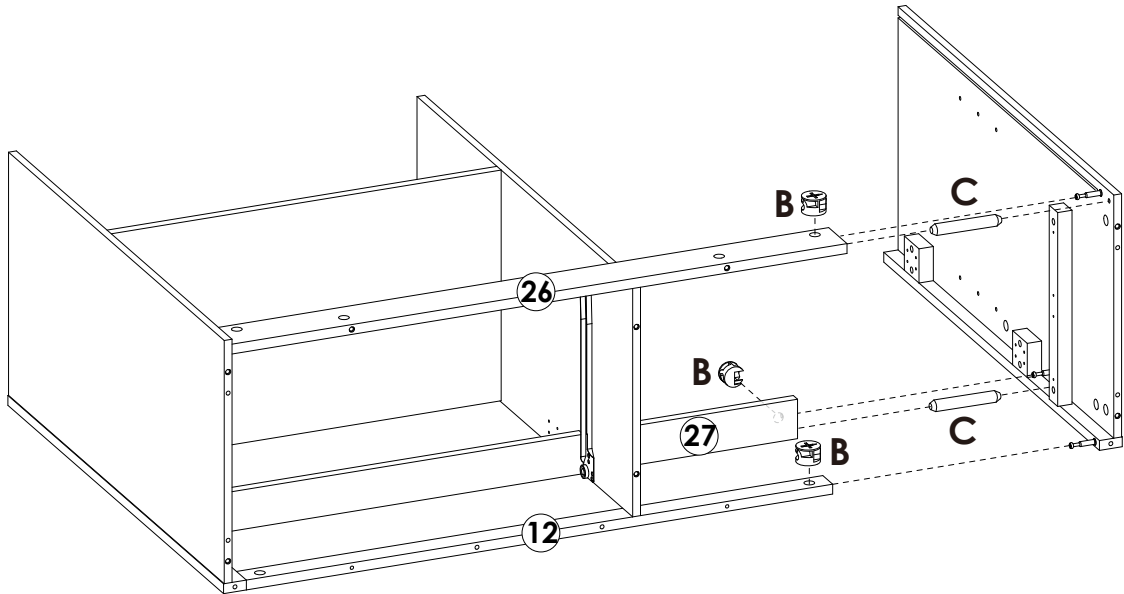
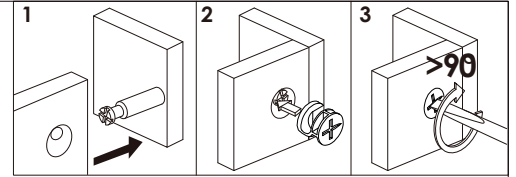
STEP 32


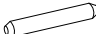


	B x 1PC
---	----------------

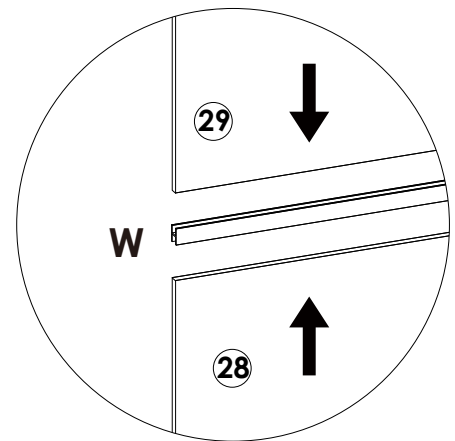
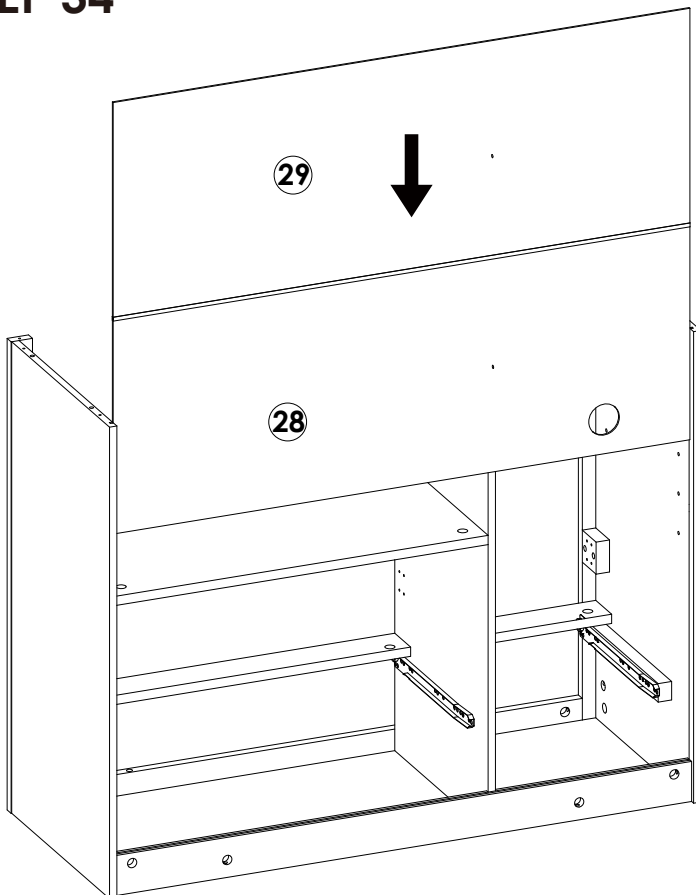
Assembly Steps(EN) / Montageschritte(DE)

STEP 33



	B x 3PCS
	C x 2PCS

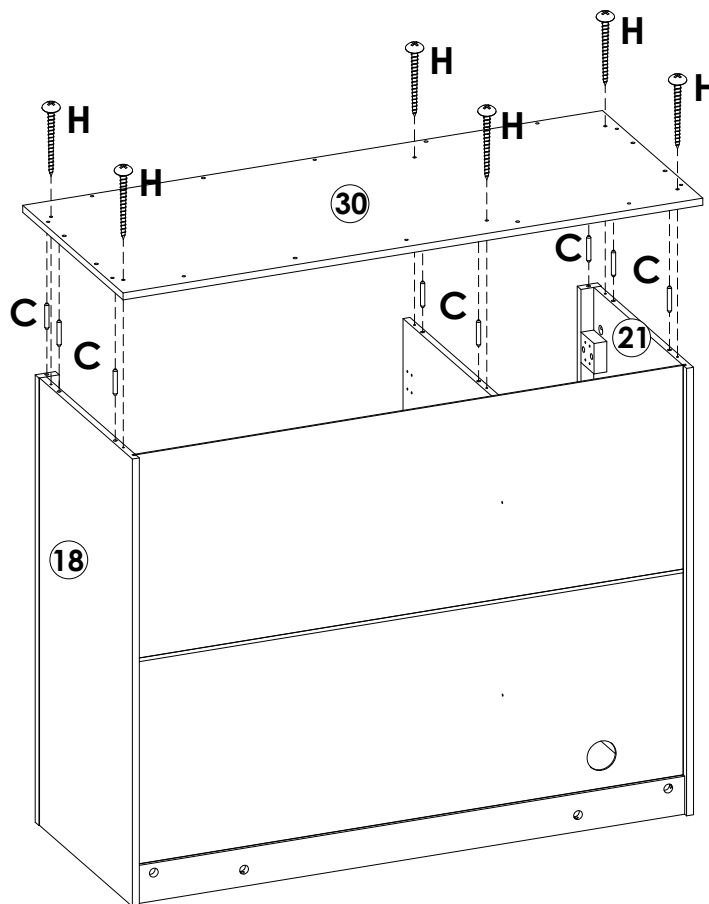
STEP 34


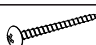


	W x 1PC
---	----------------

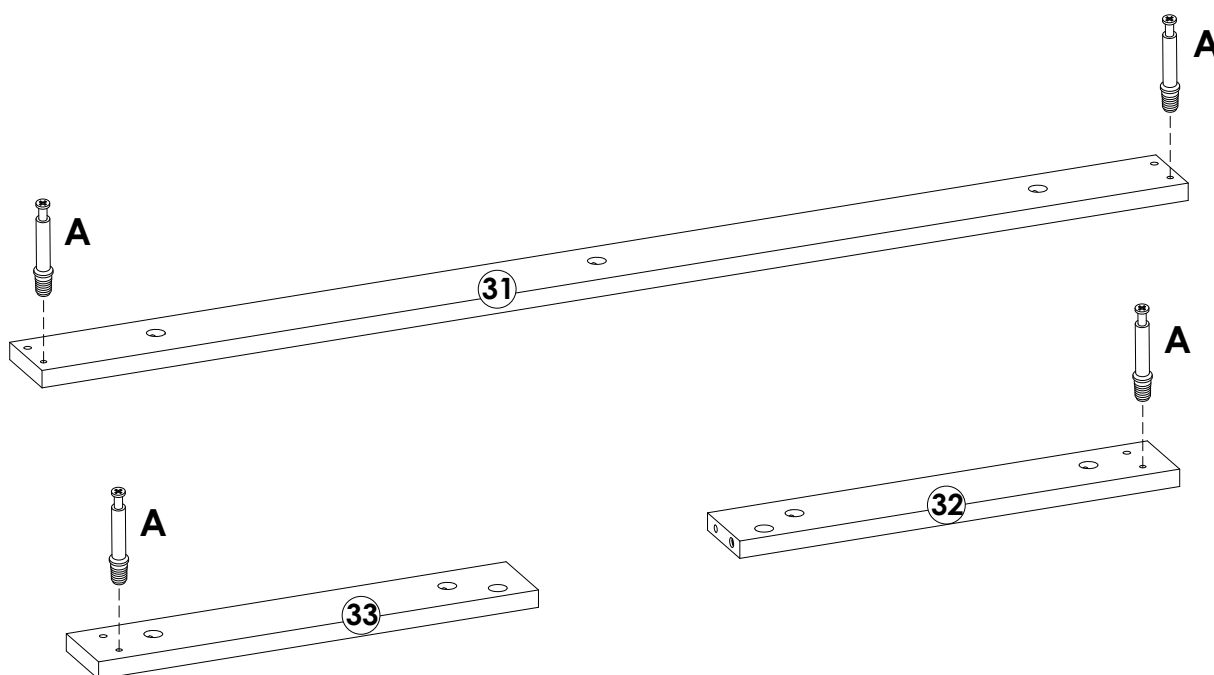
Assembly Steps(EN) / Montageschritte(DE)

STEP 35



	C x 8PCS
	H x 6PCS

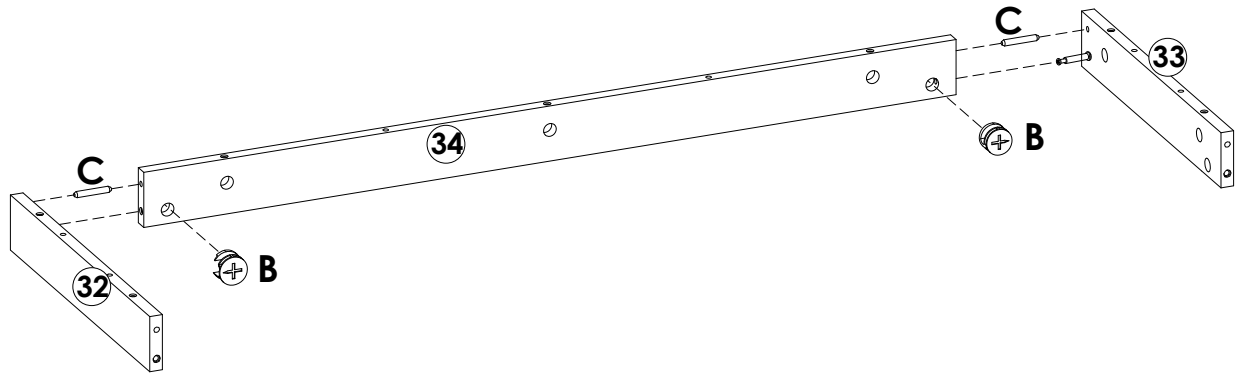
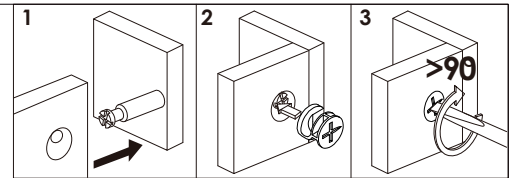
STEP 36





	A x 4PCS
---	----------

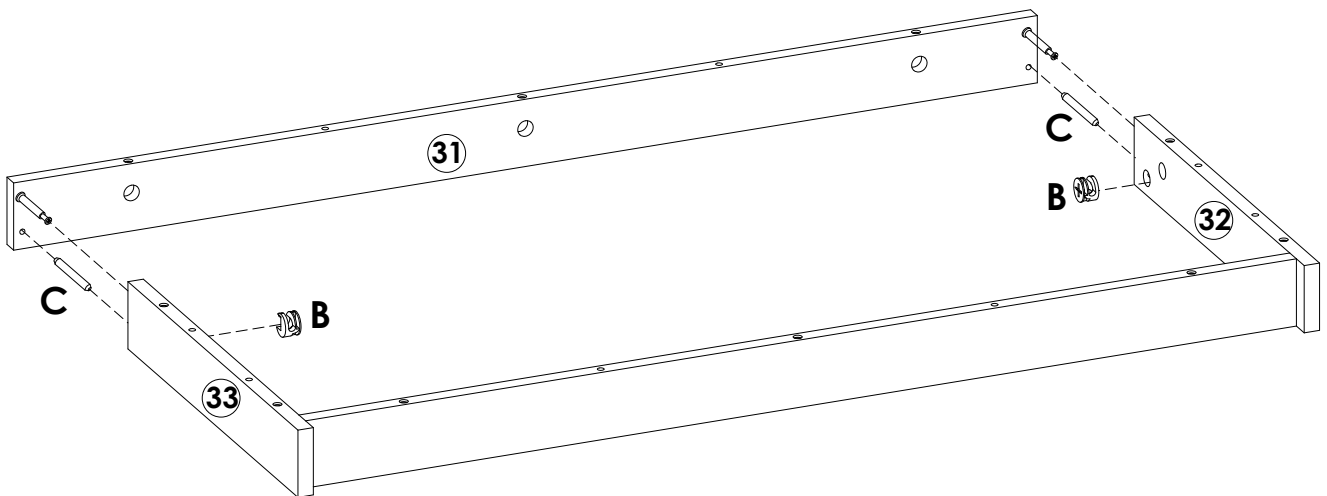
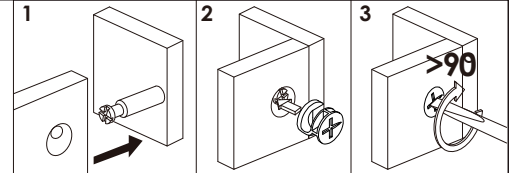
Assembly Steps(EN) / Montageschritte(DE)


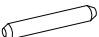
STEP 37



	B x 2PCS
	C x 2PCS

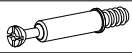
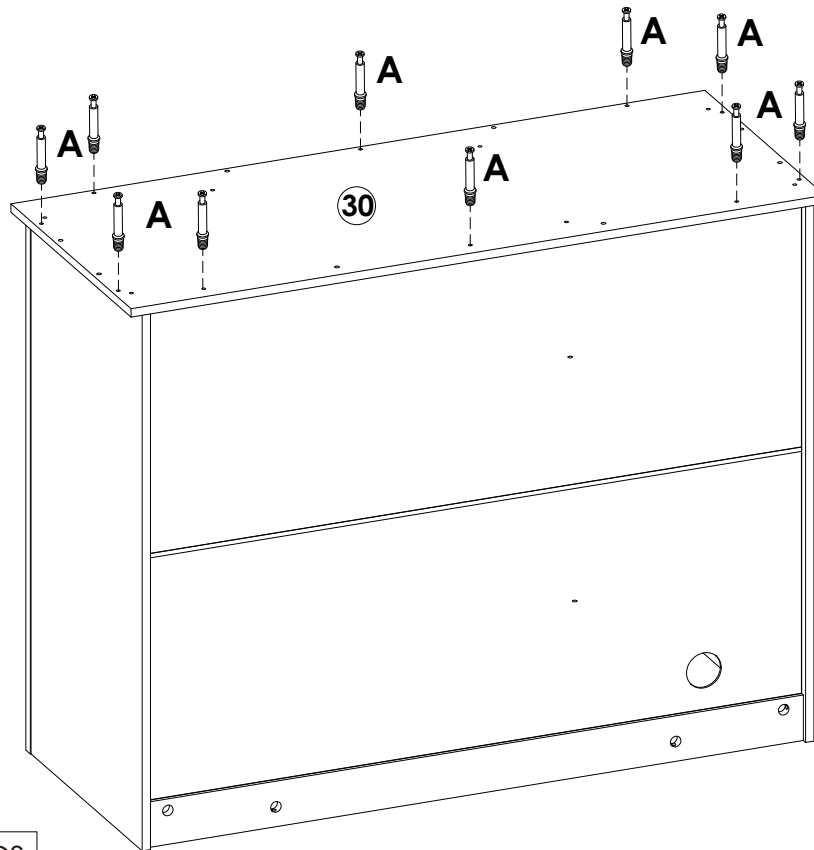
STEP 38



	B x 2PCS
	C x 2PCS

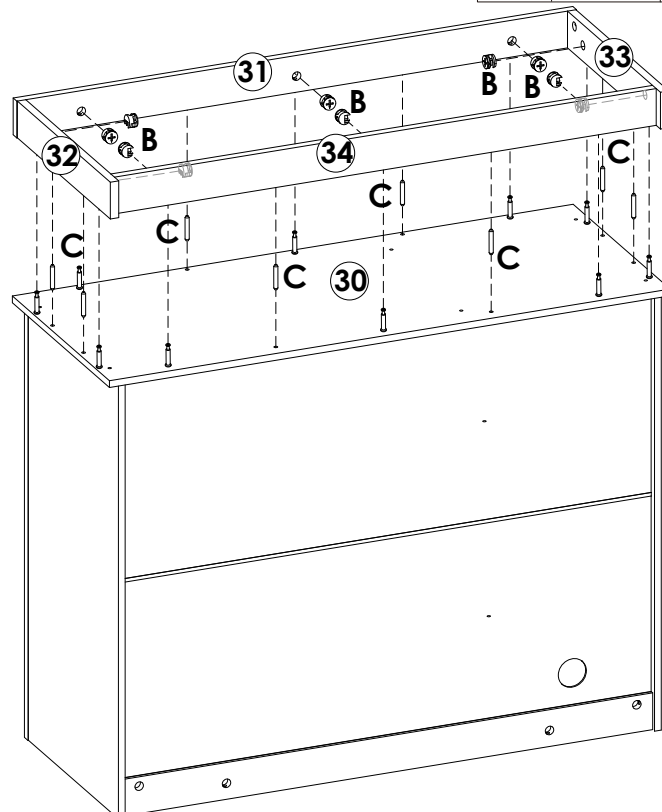
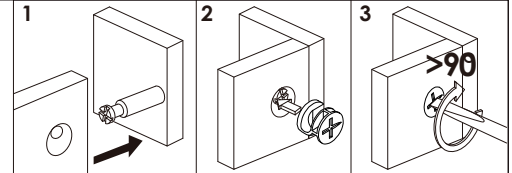
Assembly Steps(EN) / Montageschritte(DE)

STEP 39

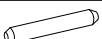


A x 10PCS

STEP 40



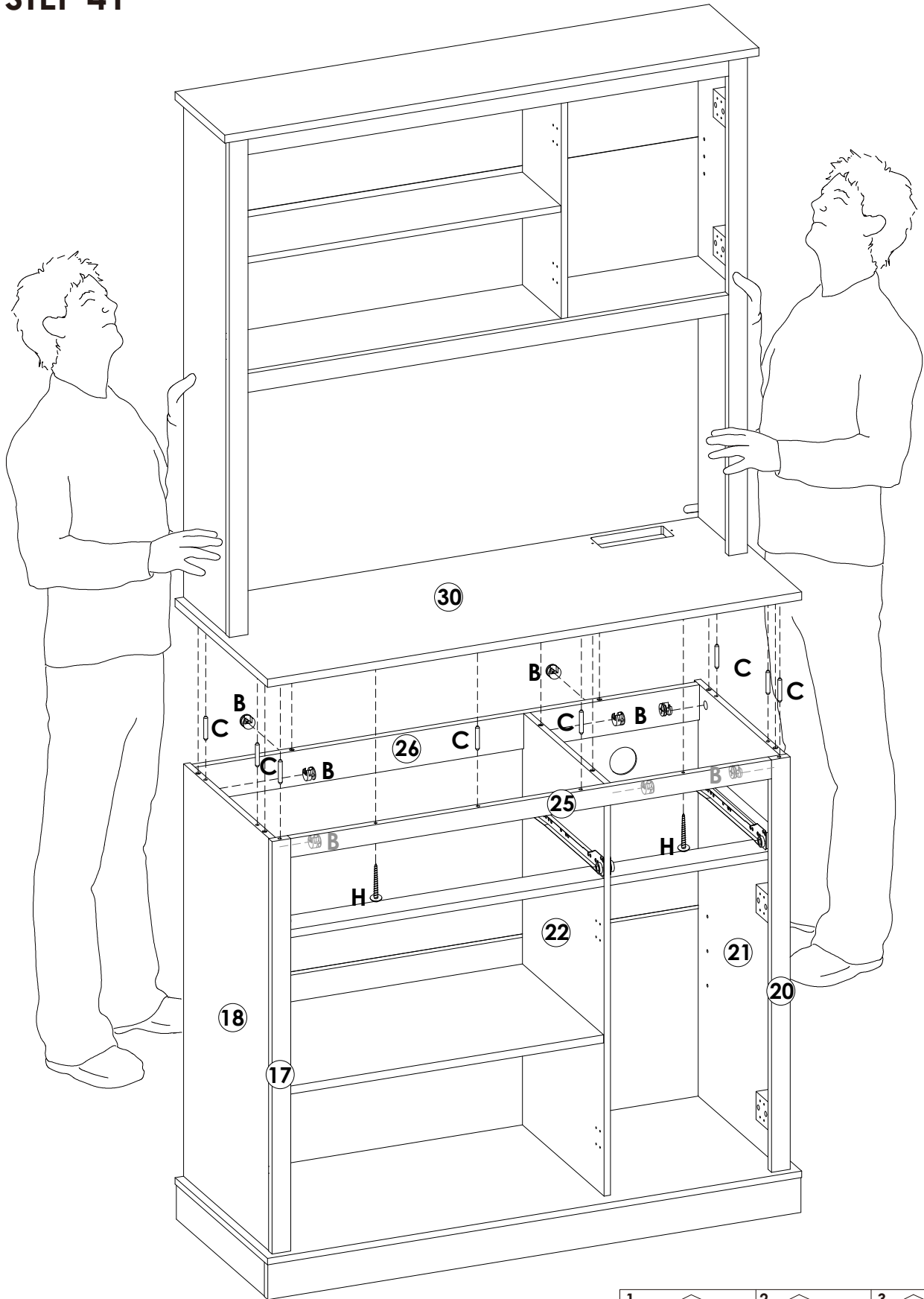
B x 10PCS


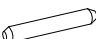



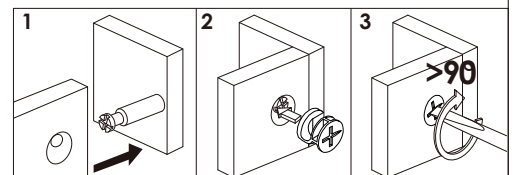
C x 8PCS

Assembly Steps(EN) / Montageschritte(DE)

STEP 41

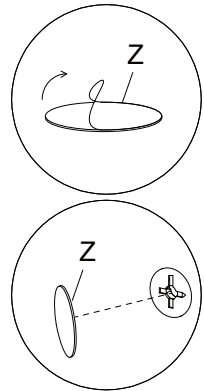
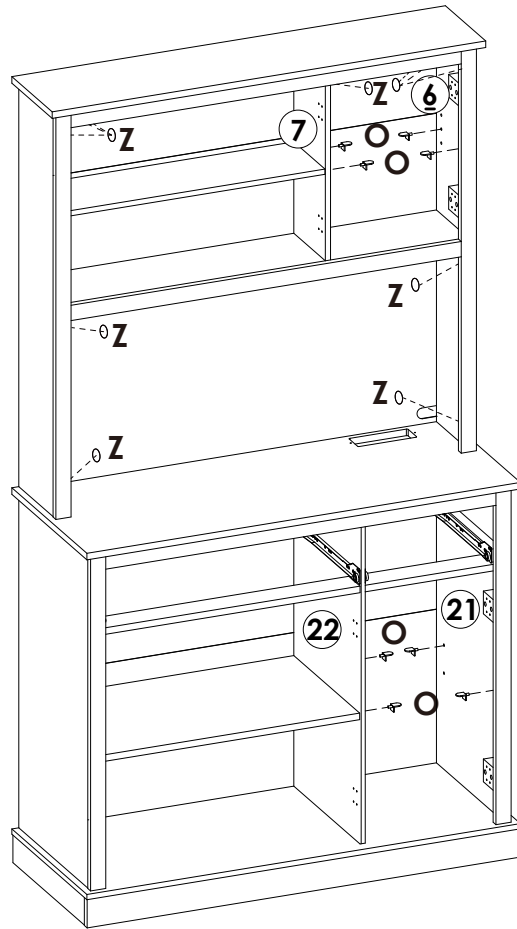




	B x 8PCS
	C x 8PCS
	H x 2PCS



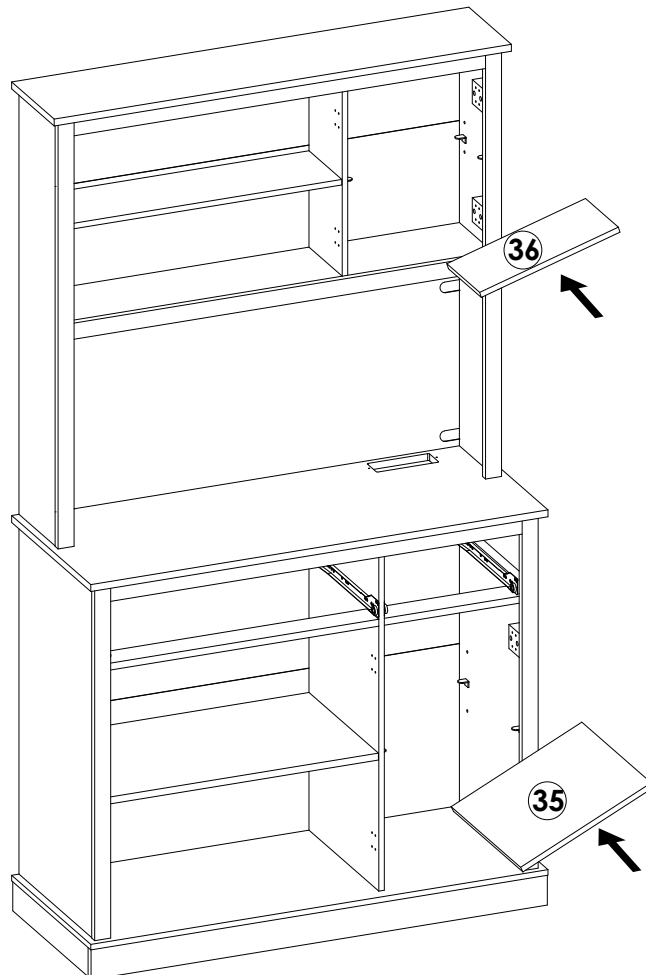
Assembly Steps(EN) / Montageschritte(DE)

STEP 42



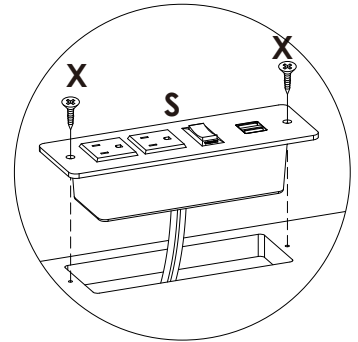
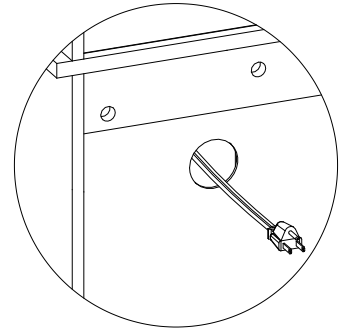
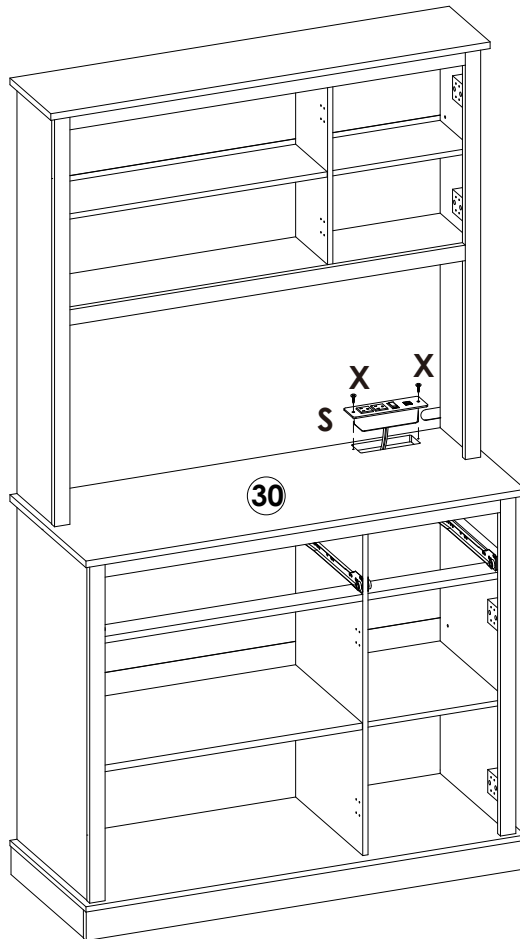
	O x 8PCS
	Z x 12PCS



STEP 43



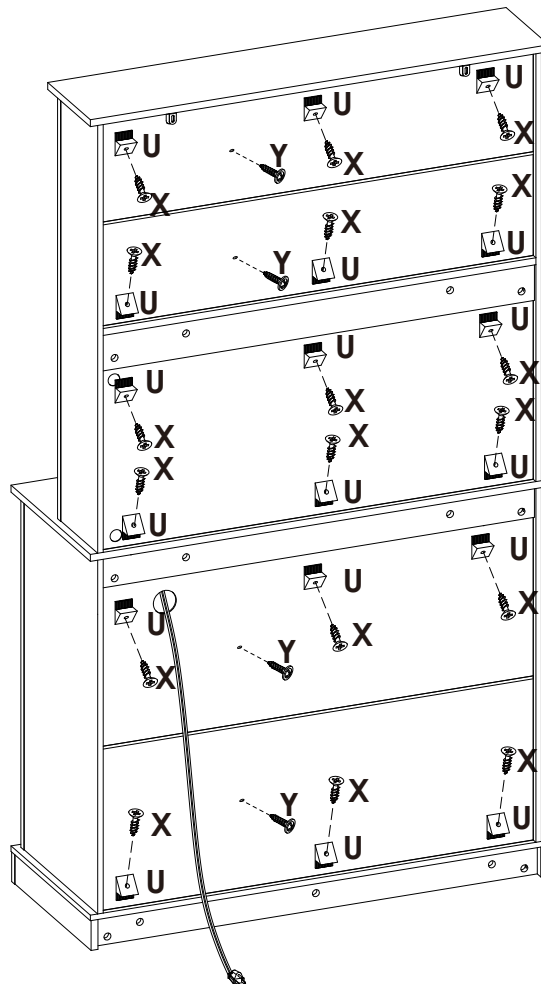
Assembly Steps(EN) / Montageschritte(DE)




STEP 44



	X x 2PCS
	S x 1PC

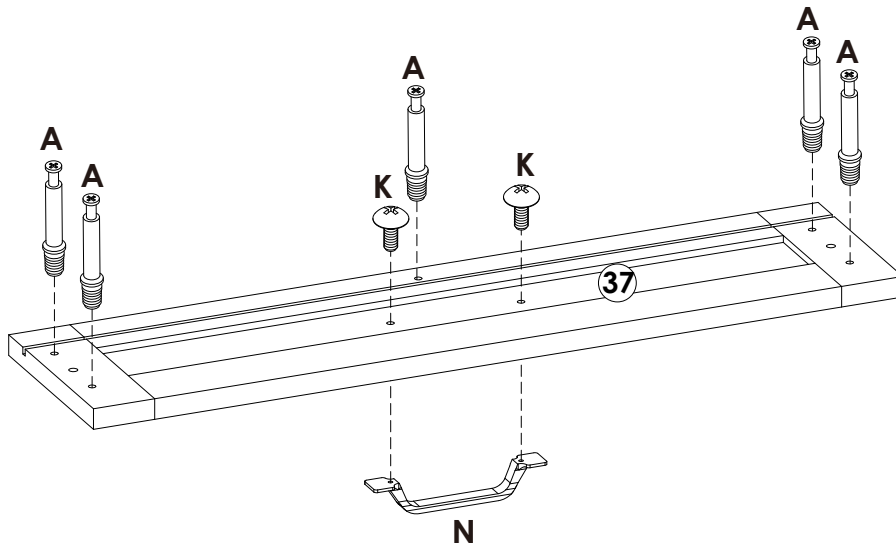
STEP 45

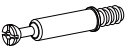




	X x 18PCS
	U x 18PCS
	Y x 4PCS

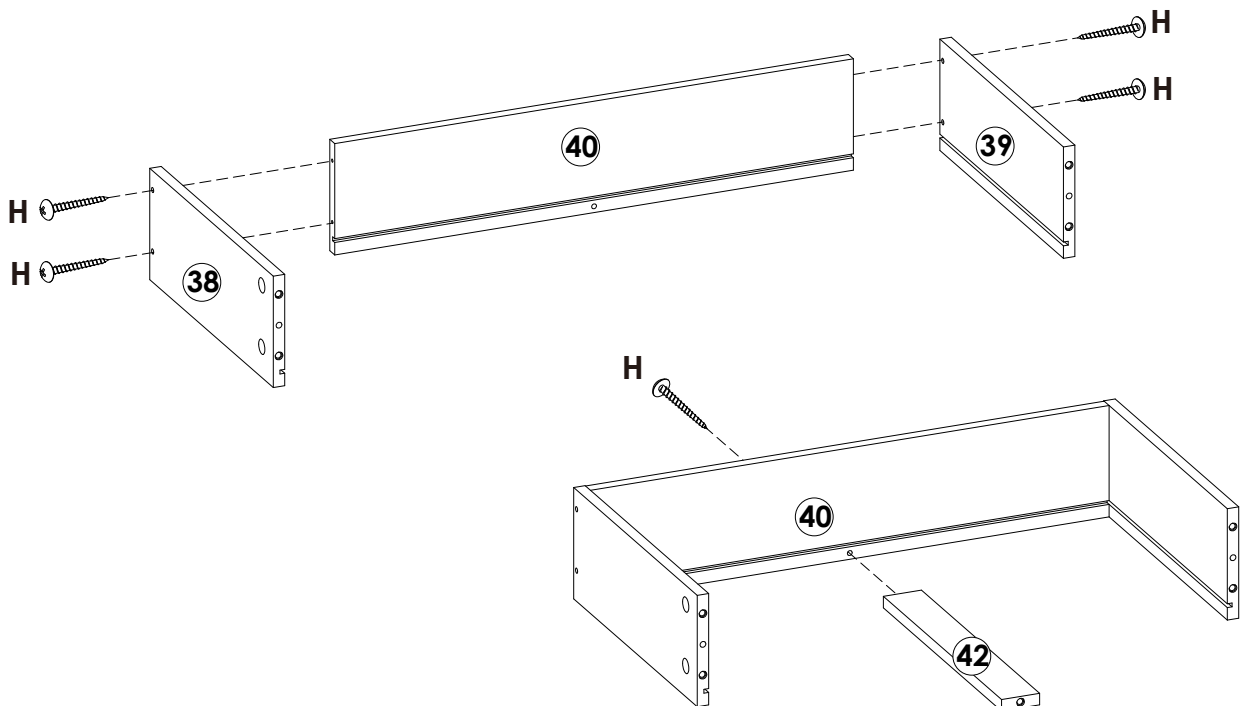
Assembly Steps(EN) / Montageschritte(DE)

STEP 46



	A x 5PCS
	K x 2PCS
	N x 1PC

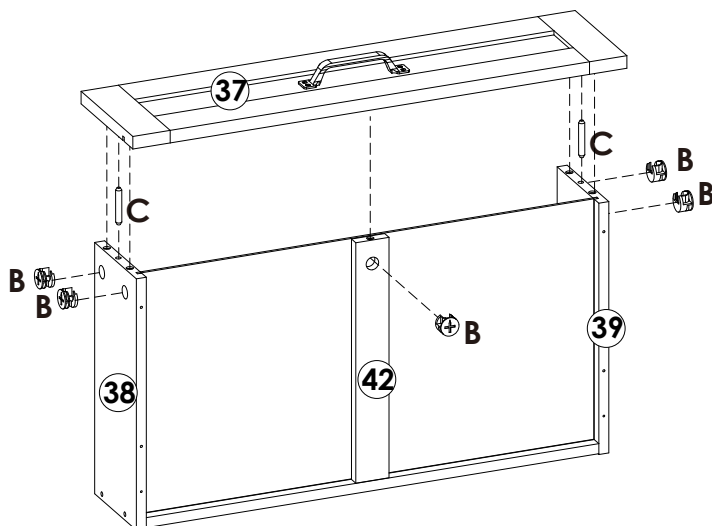
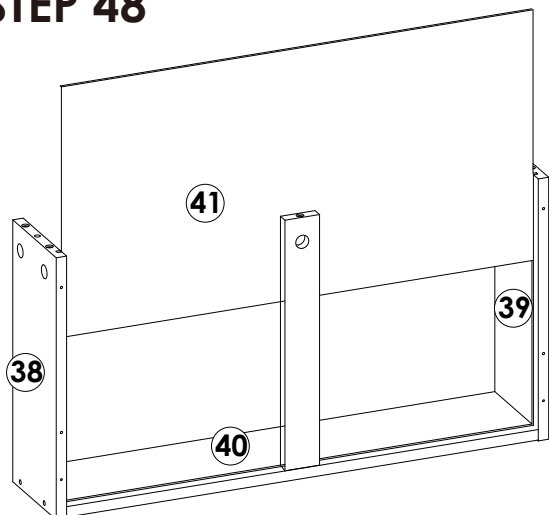
STEP 47


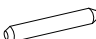


	H x 5PCS
---	----------

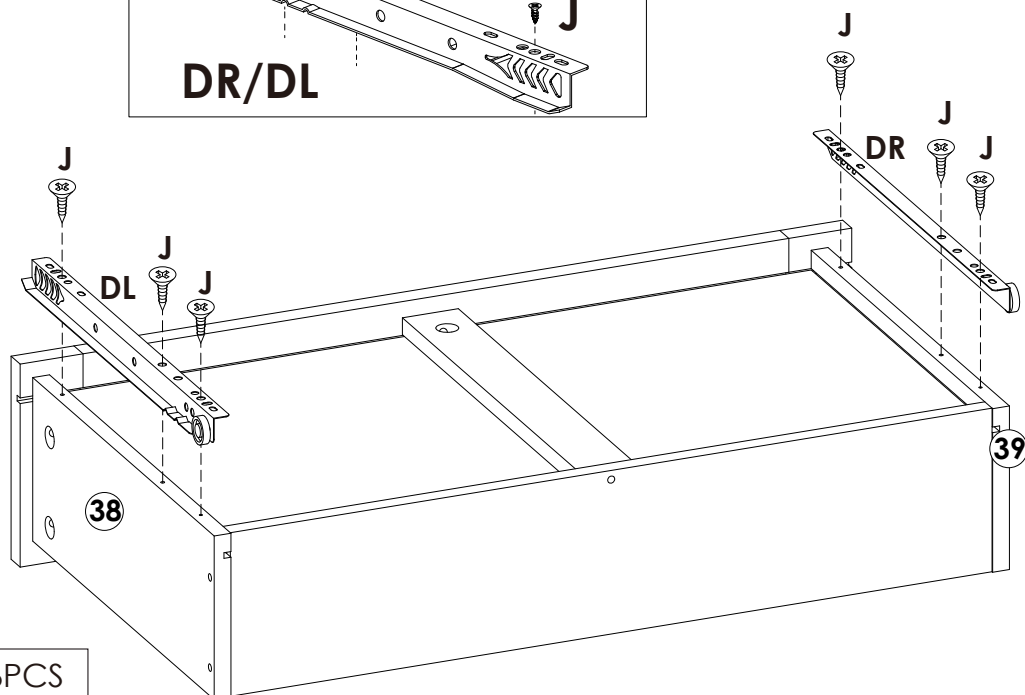
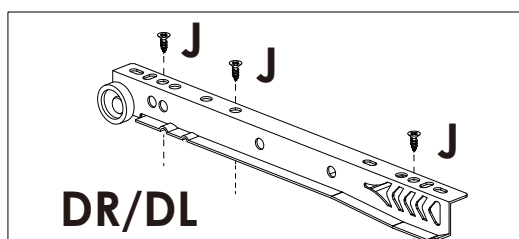
Assembly Steps(EN) / Montageschritte(DE)


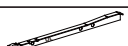

STEP 48



	B x 5PCS
	C x 2PCS

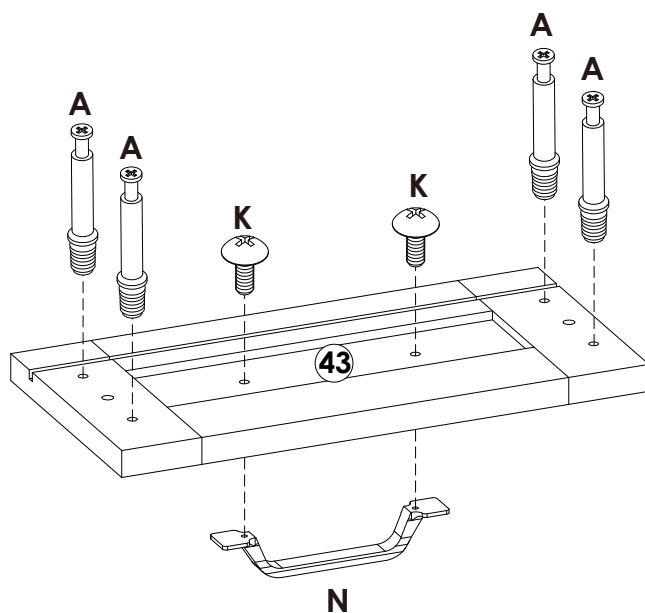
STEP 49

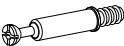




	J x 6PCS
	DL x 1PC
	DR x 1PC

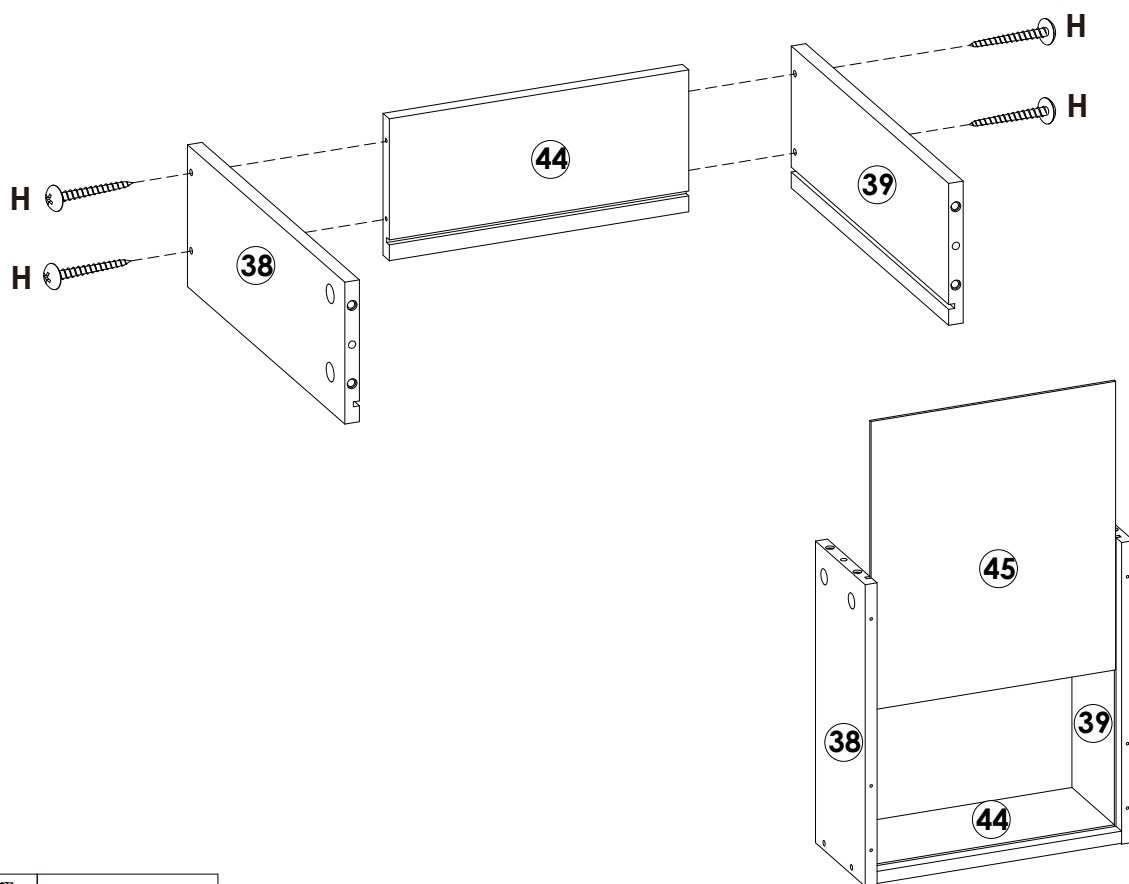
Assembly Steps(EN) / Montageschritte(DE)

STEP 50



	A x 4PCS
	K x 2PCS
	N x 1PC

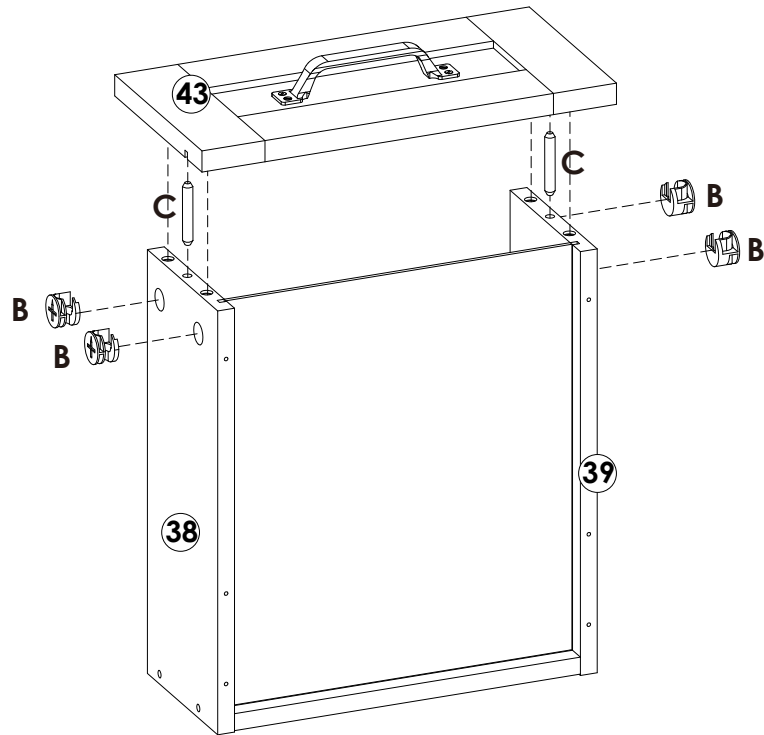
STEP 51


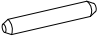


	H x 4PCS
---	----------

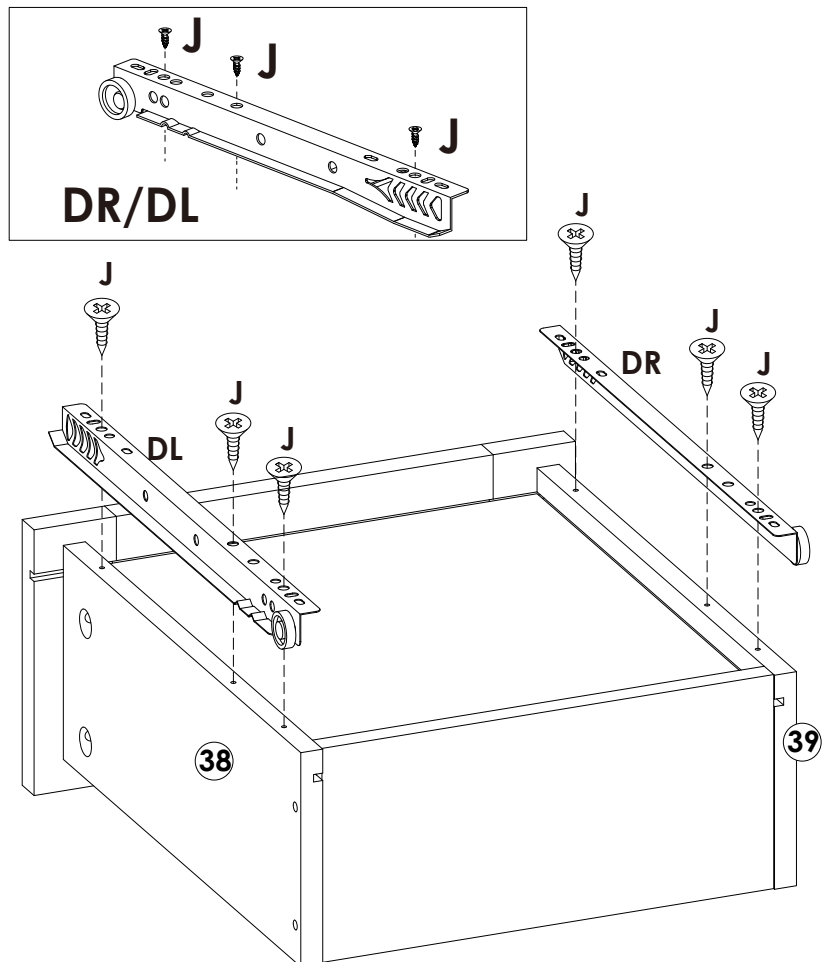
Assembly Steps(EN) / Montageschritte(DE)




STEP 52



	B x 4PCS
	C x 2PCS

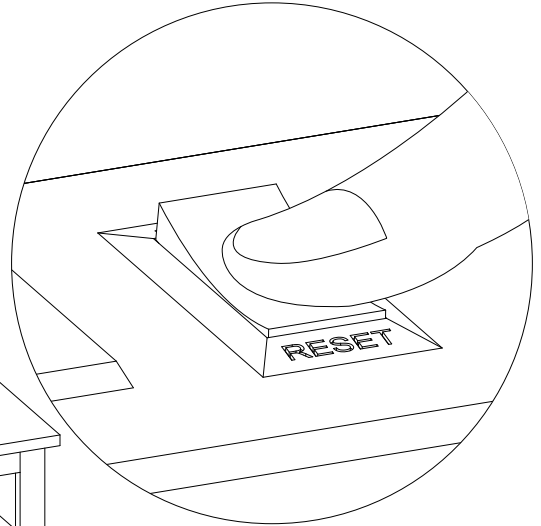
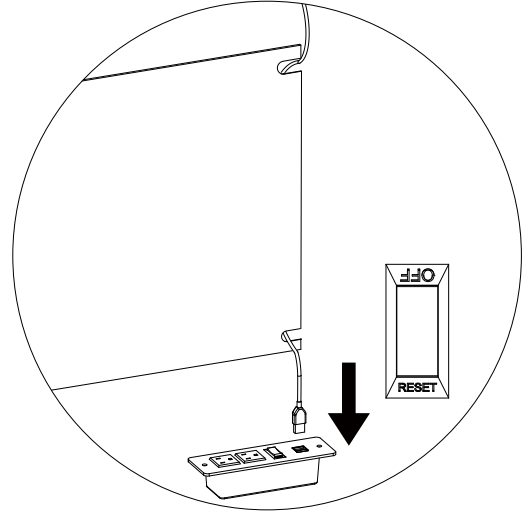
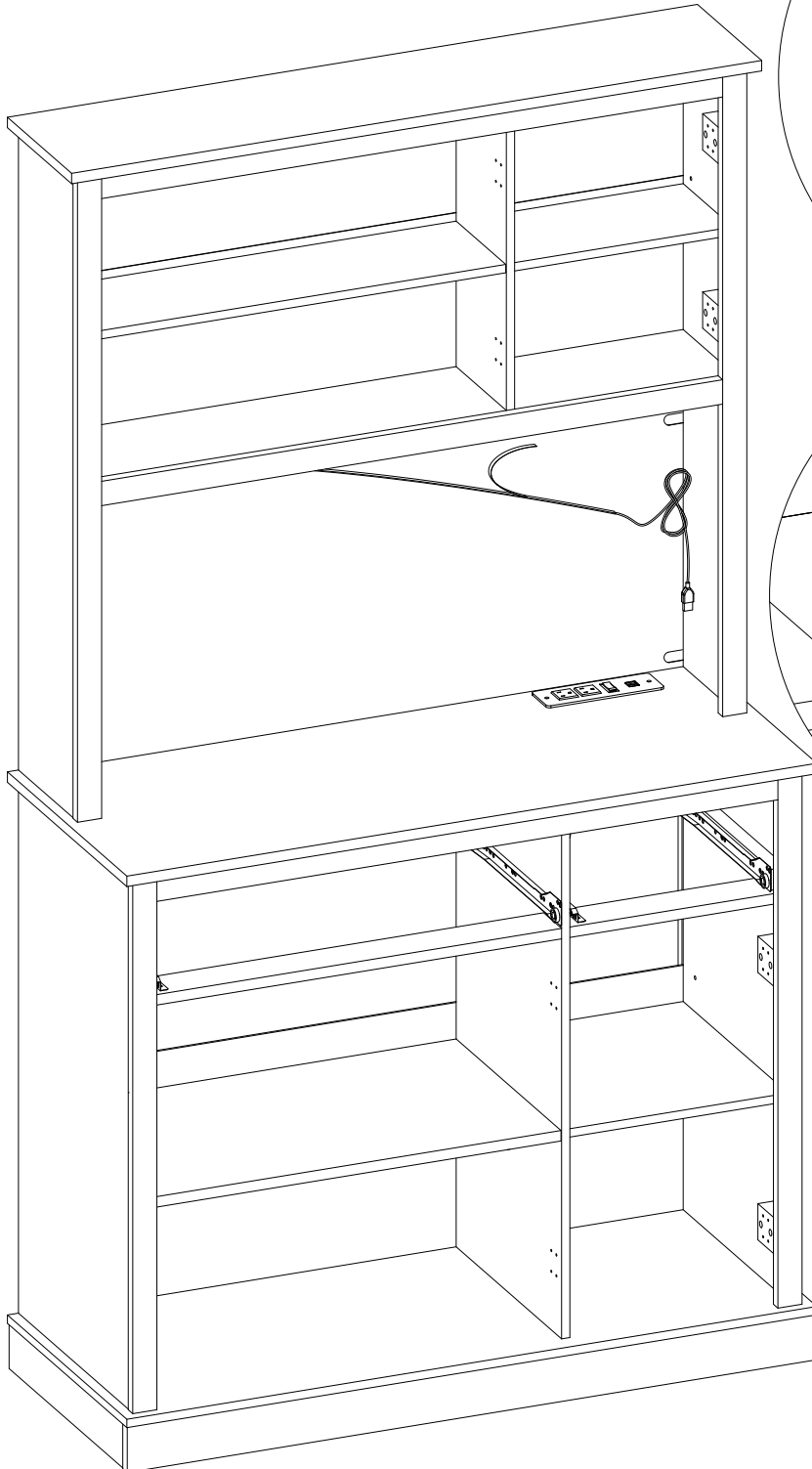
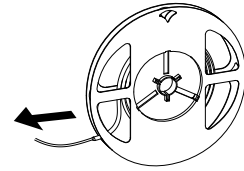
STEP 53



	J x 6PCS
	DL x 1PC
	DR x 1PC

Assembly Steps(EN) / Montageschritte(DE)

STEP 54



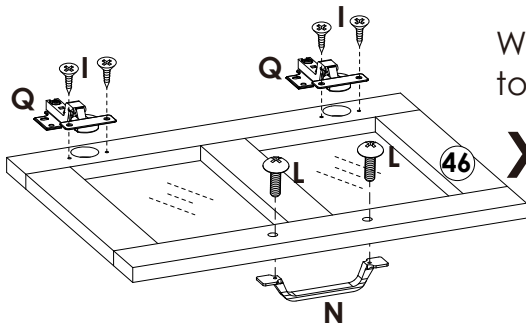
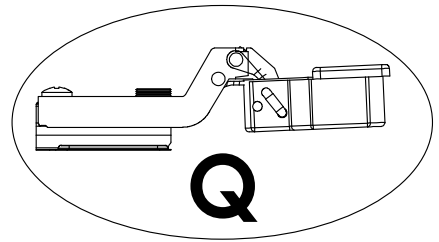
T x 1PC

Assembly Steps(EN) / Montageschritte(DE)

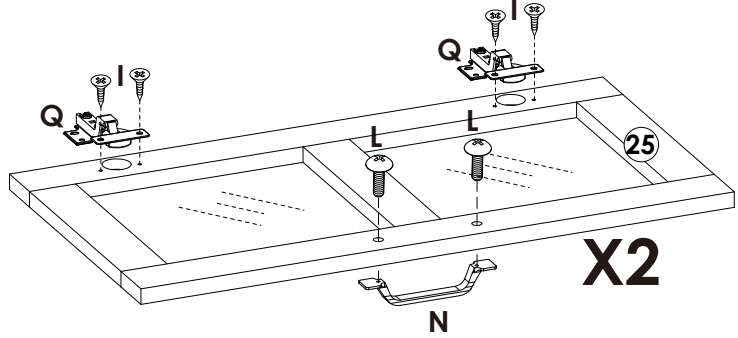
STEP 55



WARNINGS: only need to install the hinge "Q"



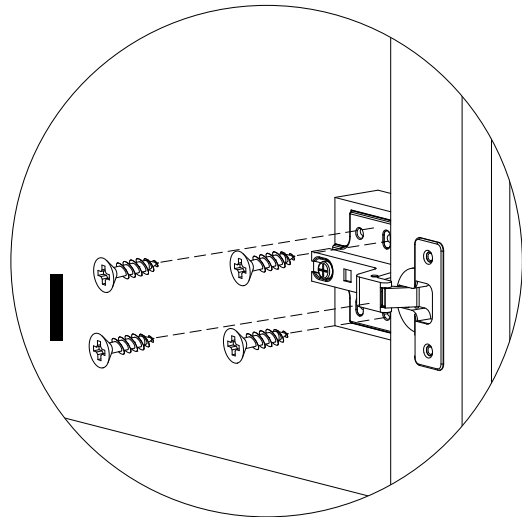
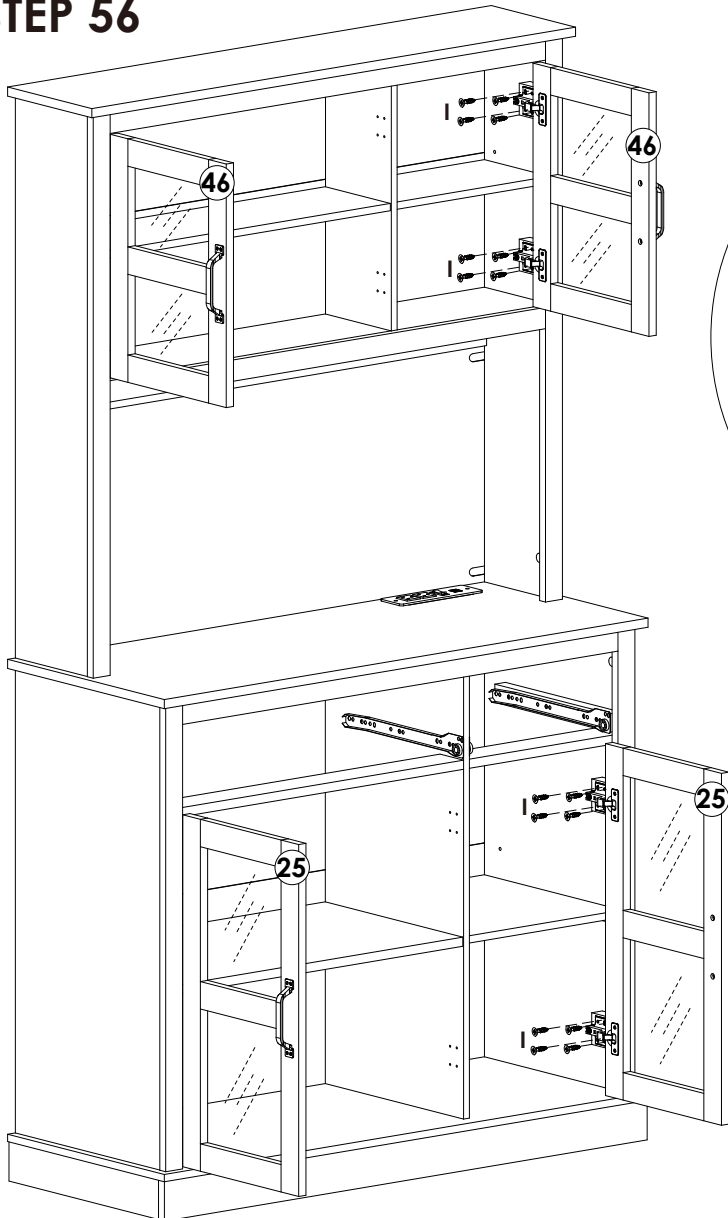
X2



X2

	I x 16PCS
	L x 8PCS
	N x 4PCS
	Q x 8PCS

STEP 56



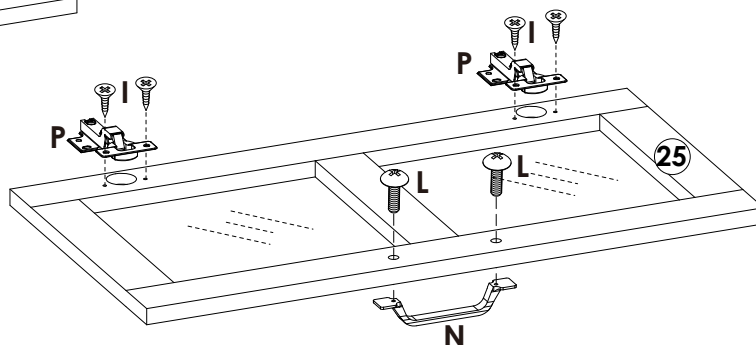
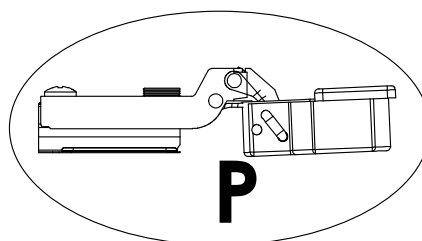
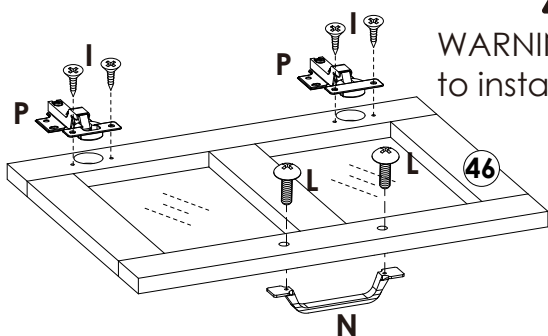
	I x 32PCS
--	-----------

Assembly Steps(EN) / Montageschritte(DE)

STEP 57

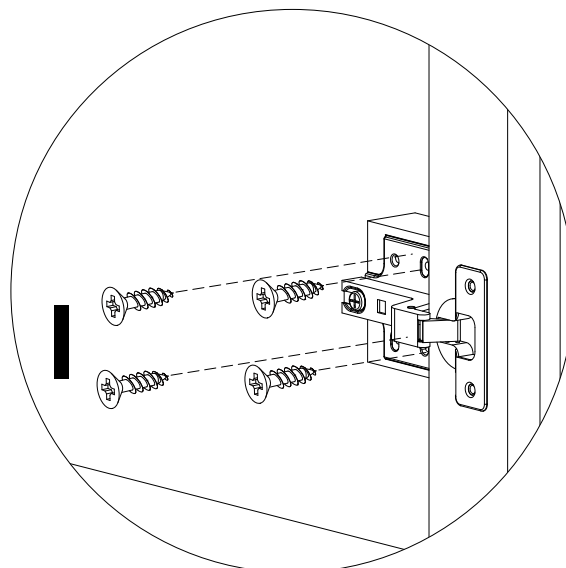
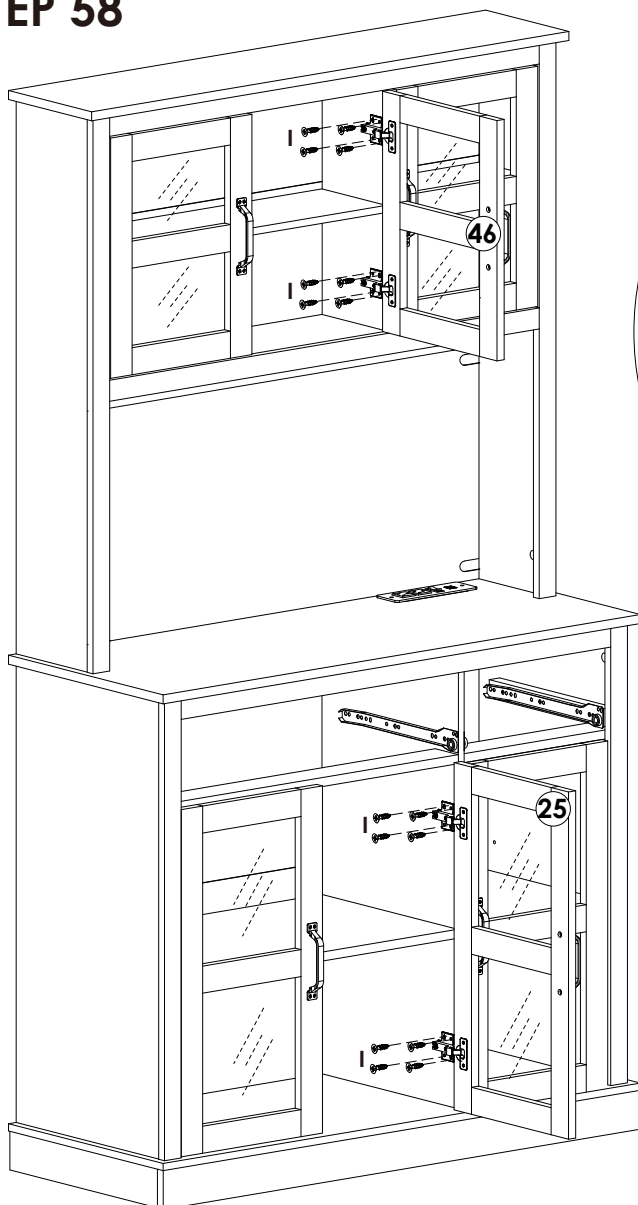


WARNINGS: only need to install the hinge "P"



	I x 8PCS
	L x 4PCS
	N x 2PCS
	P x 4PCS

STEP 58

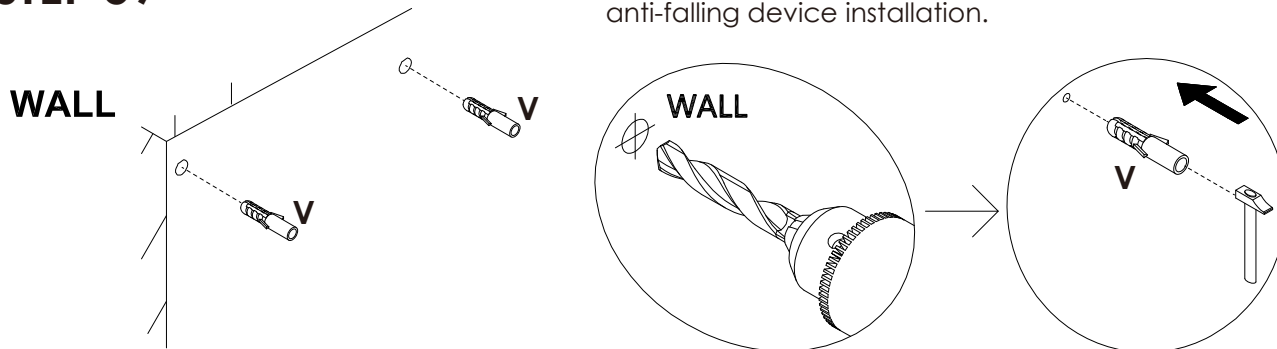


	I x 16PCS
--	-----------

Assembly Steps(EN) / Montageschritte(DE)

STEP 59

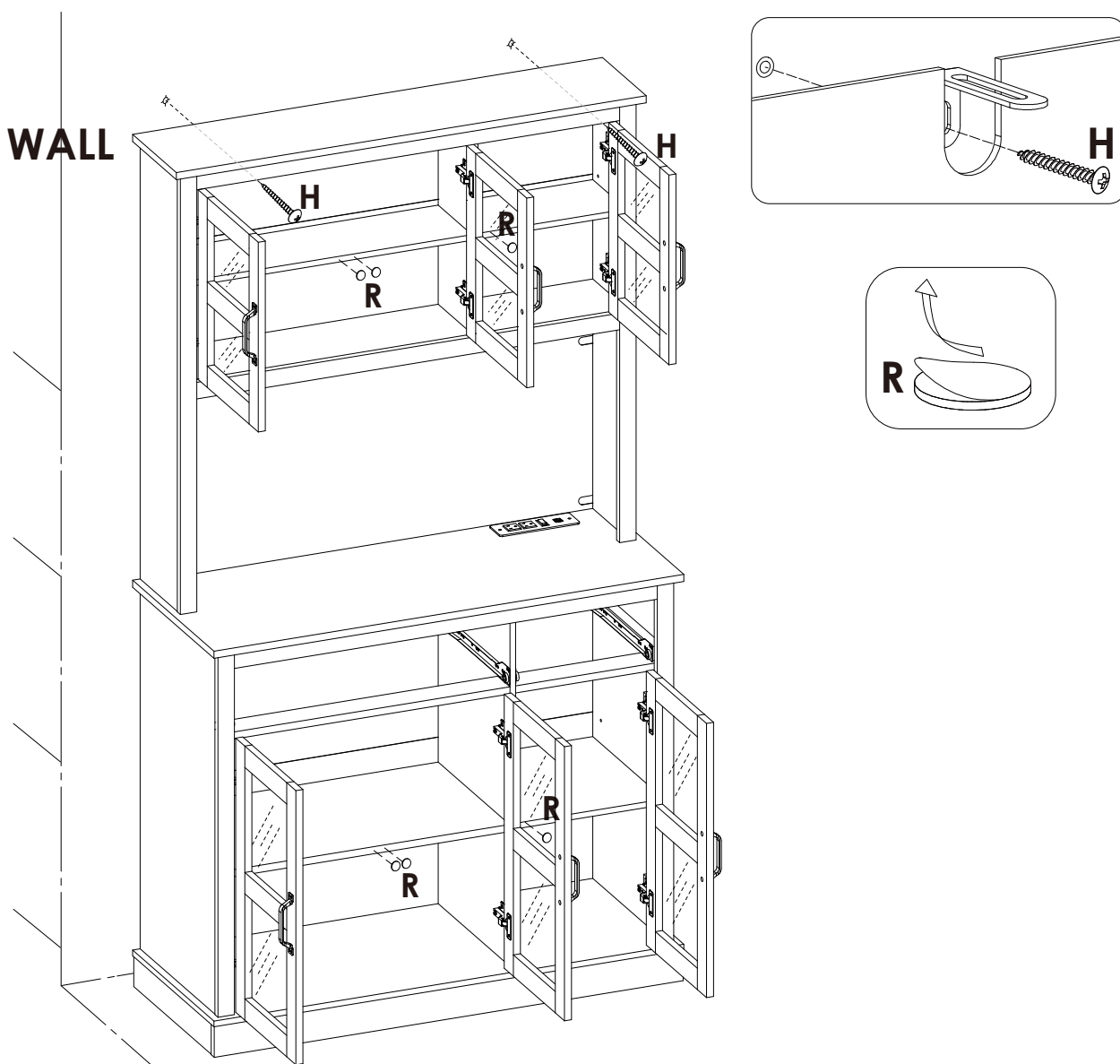
Drill 2 holes on the wall at the required position for anti-falling device installation.

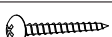



	V x 2PCS
---	-----------------

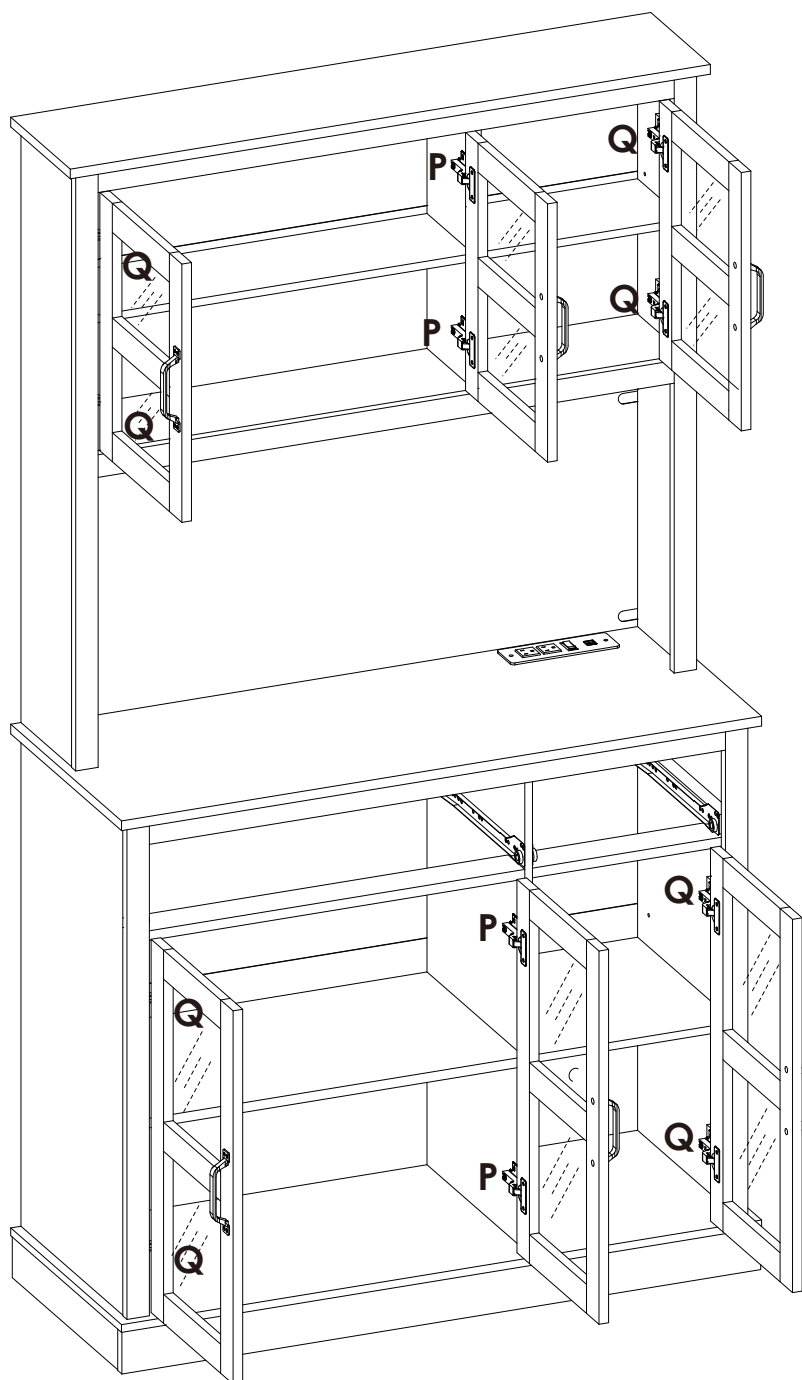
STEP 60

Move the cabinet to the required position, use the "M" long screw to fix the cabinet to the wall.



	H x 2PCS
	R x 6PCS

STEP 61

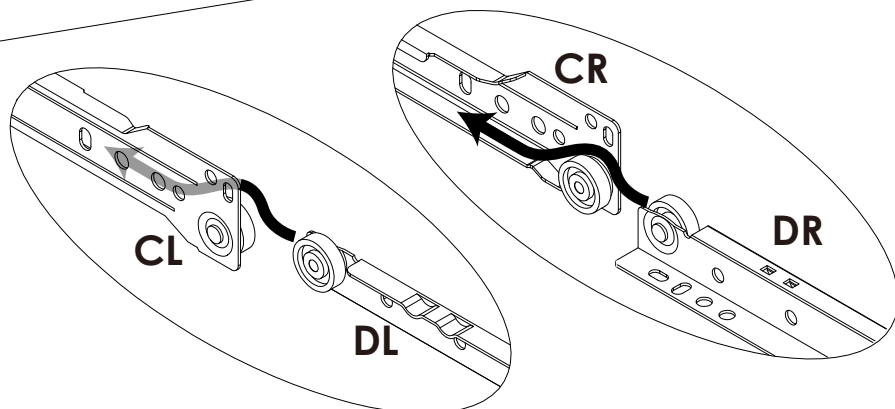
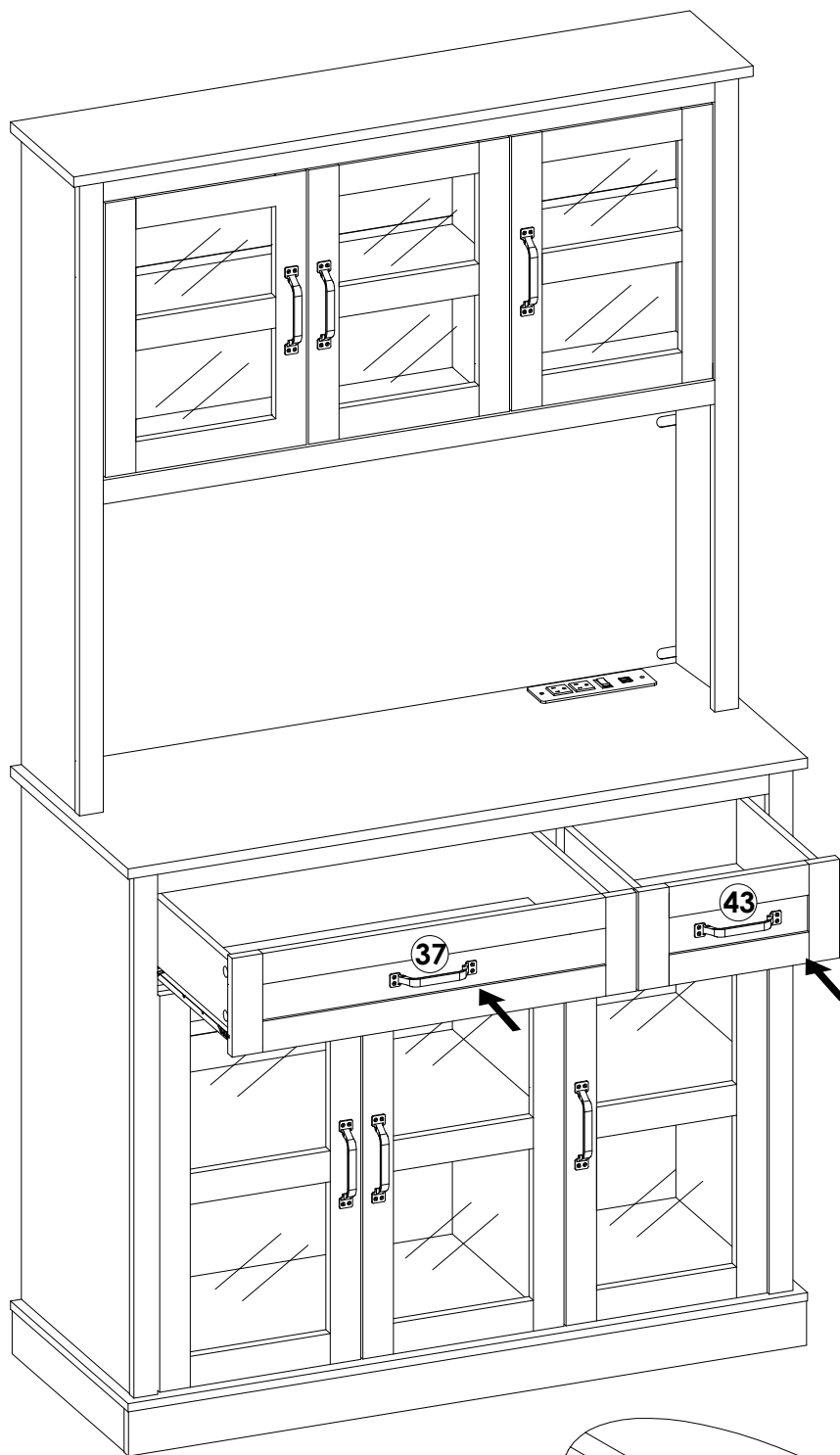


ATTENTION:

Please note that the **MIDDLE** door should be matched with **PART (P)**, and the **SIDE** 2 doors should be matched with **PART (Q)**, taking the wrong hinge might cause the door gap to be unable to adjust.

Assembly Steps(EN) / Montageschritte(DE)

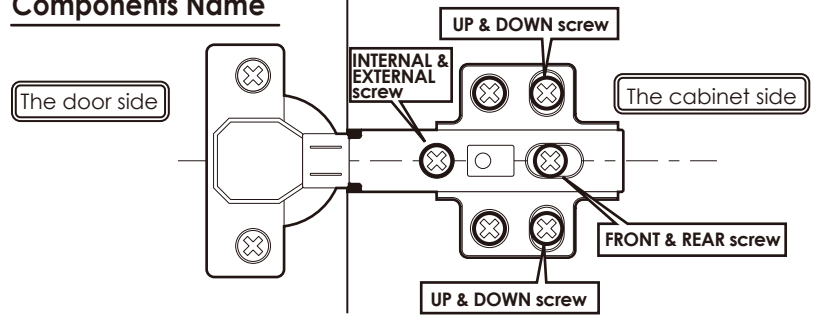
STEP 62



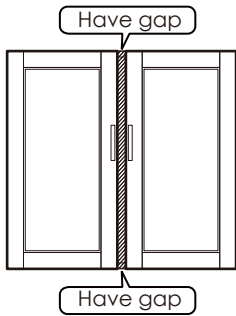
The ways to adjust the door

- Before adjusting the hinge, please check whether the cabinet is skewed.
- If the skew can not be repaired, please remove the anti-tipping device first, then adjust the cabinet to vertical position.
- Please adjust the hinge with the door open.
- Please operate it with more than 2 people, one person holds the door and the other one adjusts the screw.

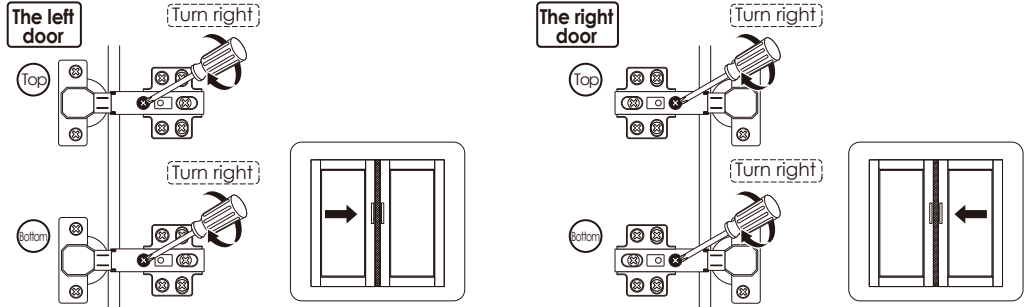
Components Name



Obvious gaps between doors or Doors don't look closed



- 1 Turn "internal & external screw" to the right can make the door approach inside. Please adjust the doors little by little.



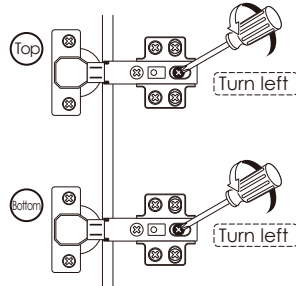
※ If the 2 doors are overlap, please turn the "internal & external screw" to the left.

When door is crooked



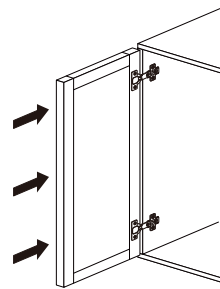
Please take the following steps to adjust first.

- 1 Rotate the "front and rear screws" to the left

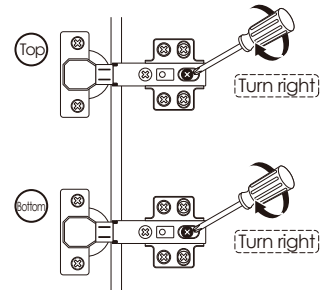


※ After adjusting the "front and rear screw", the door still does not change, please turn the "internal & external screw" to the right slightly.

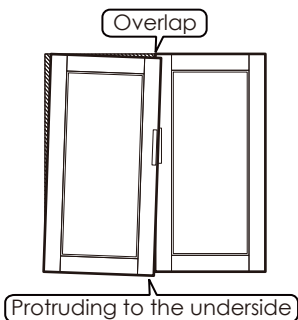
- 2 Push the door to the cabinet



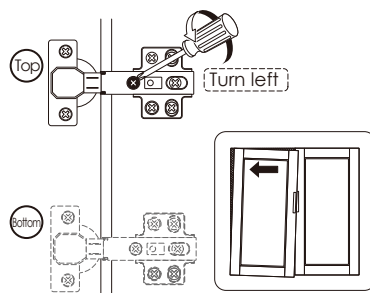
- 3 Rotate the "front and rear screws" to the right



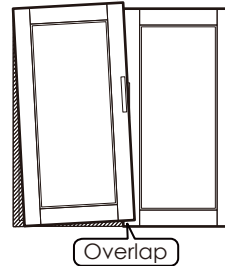
When door is leaning



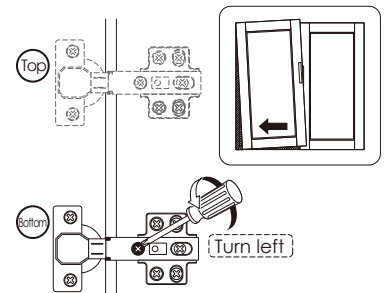
- 1 Turn "internal & external screw" to the left can make the top of the door tilted outward.



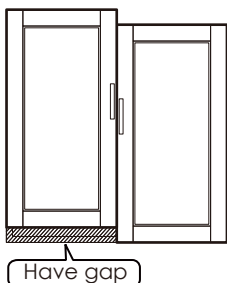
Protruding to the upside



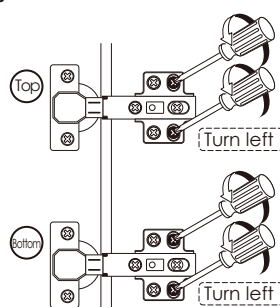
- 1 Turn "internal & external screw" to the left can make the bottom of the door tilted outward.



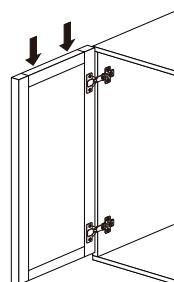
When the door is higher on top



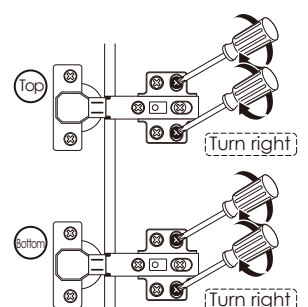
- 1 Turn "up & down screw" to the left



- 2 Lower the door's height so that 2 doors are of the same height.



- 3 Turn "up & down screw" to the right



※ If the door is lower on bottom, please lift up the left door slightly on step 2



WARNING



Children have died from furniture tipover. To reduce the risk of furniture tipover:

- **ALWAYS** install Anti-tip device provided.
- **NEVER** put a TV on this product.
- **NEVER** allow children to stand, climb or hang on any drawers, doors, or shelves.
- **NEVER** open more than one drawer at a time.
- Place heaviest items in the lowest drawers.



***This is a permanent label.
Do not remove!***