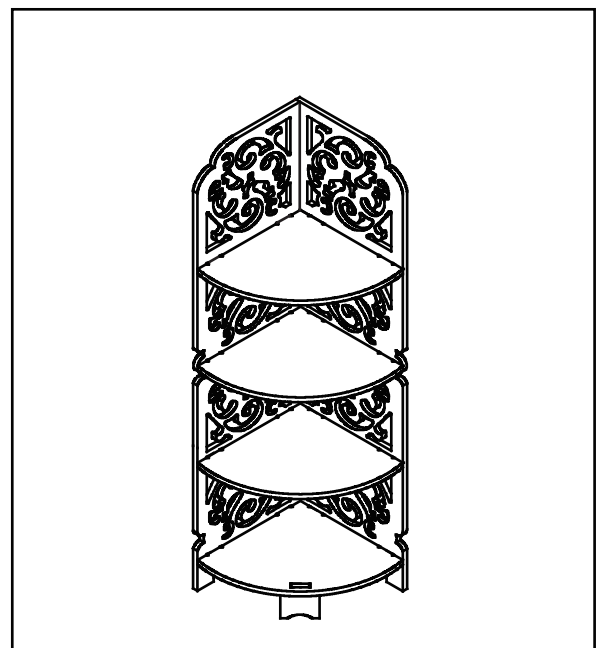
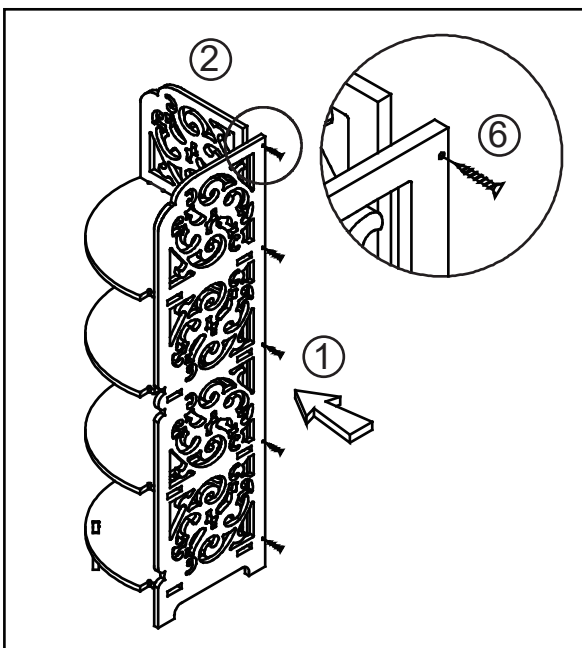
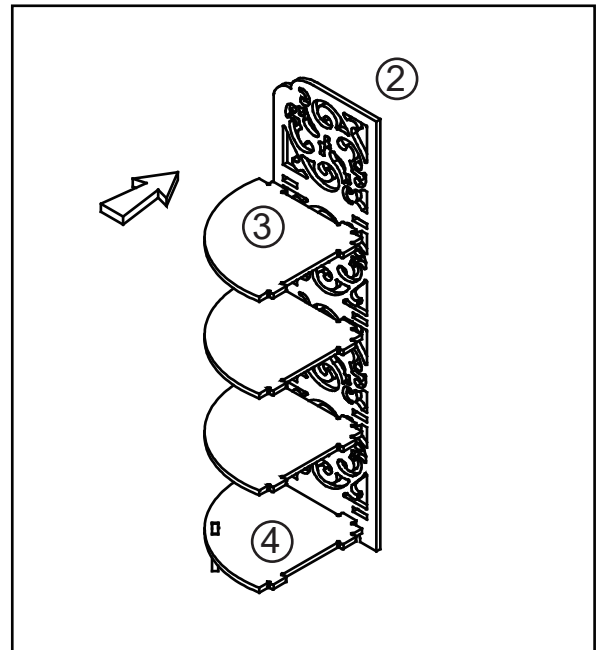
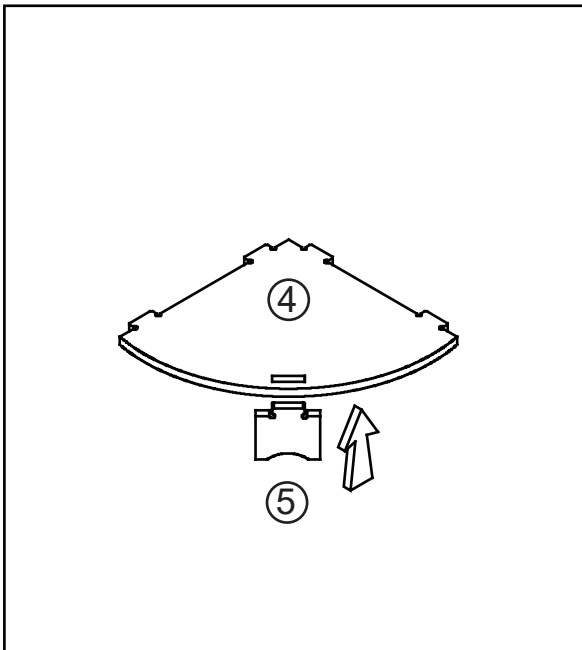
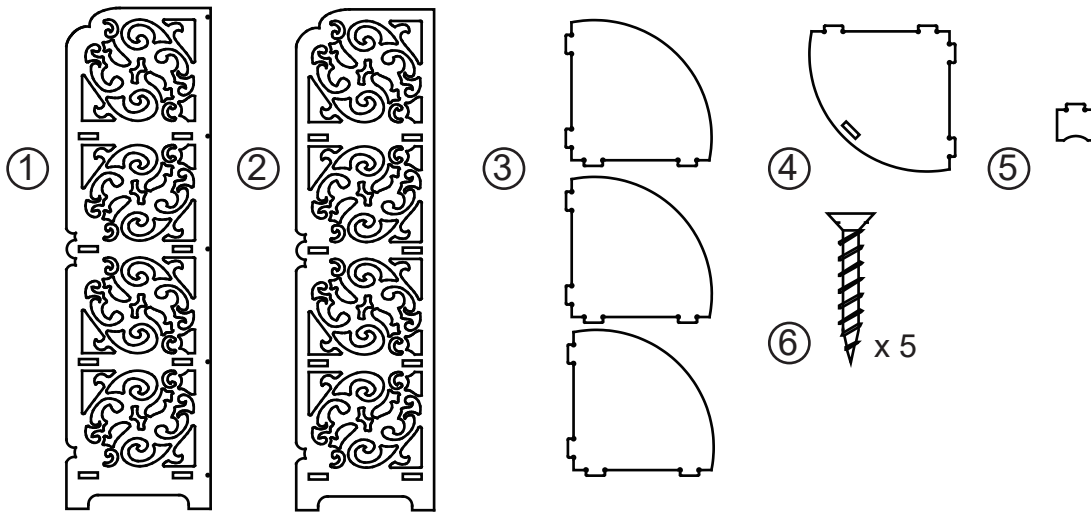


Installation instructions



1. Wearing glove during installation is recommended to prevent injury from sharp objects.
2. Before tighten up screws/bolts, please making sure place the screw/bolt tips to illustrated position, do not use brutal force when 2 parts are not connected correctly.
3. Please insert cam connector vertically before install screws.