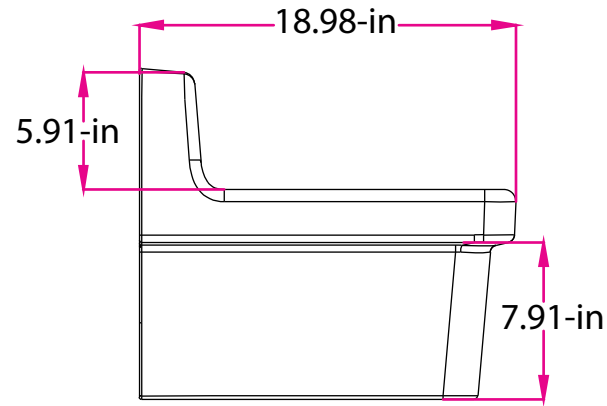
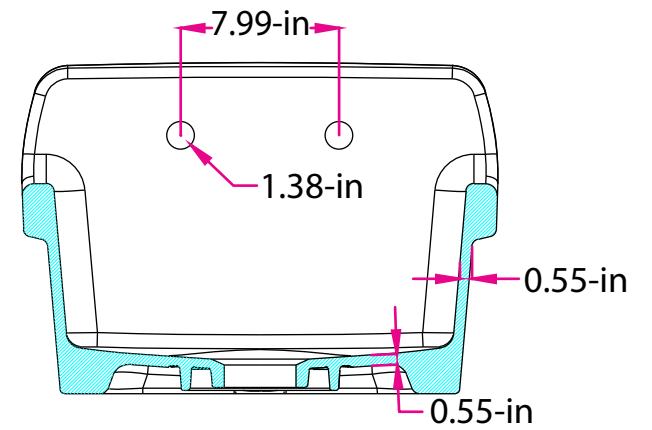


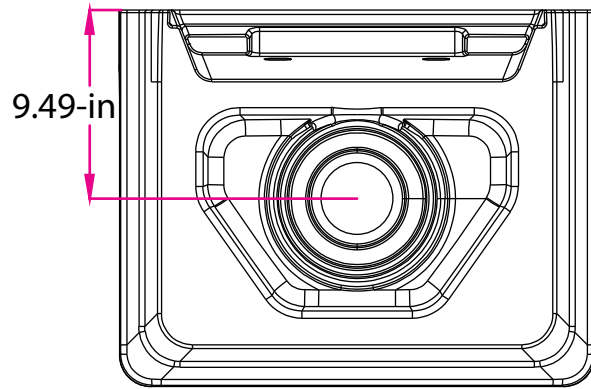
Front



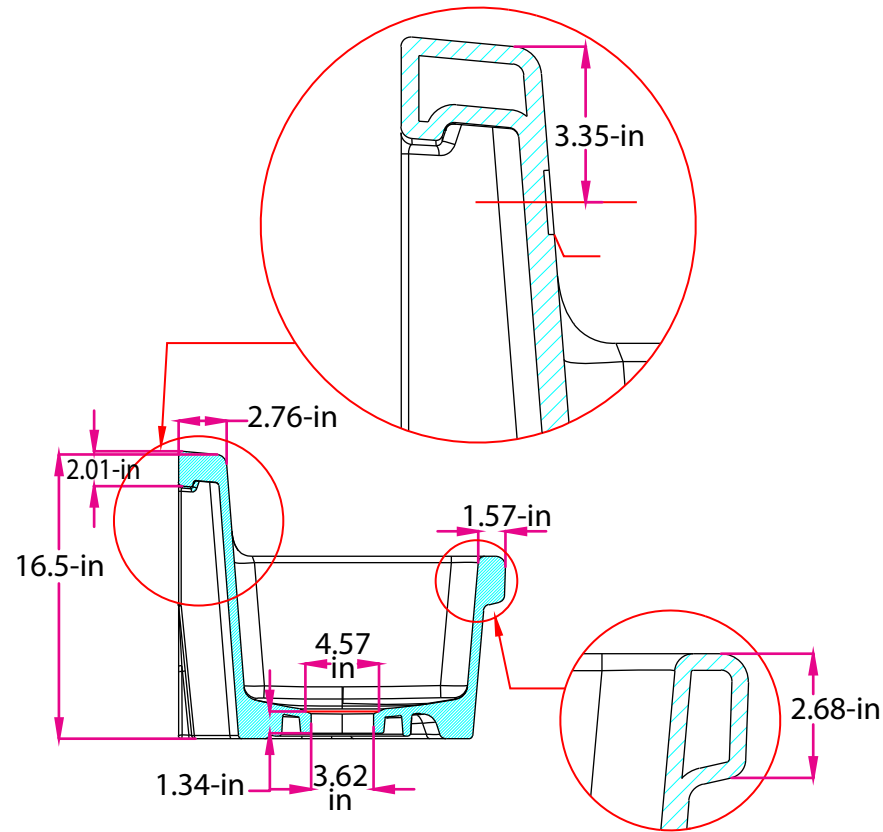
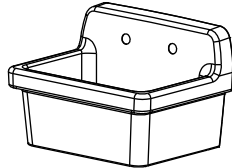
Side



Back



Underneath

MC-20405

NOTES:
 1. UNSPECIFIED TOLERANCES ON DIMENSIONS:
 →UNDER 200mm ±5%
 →200mm OVER ±3%
 →RADIUS ±10%
 2. TYPICAL WALL THICKNESS: MIN 6mm
 3. MEETS ASME A112.19.2-2013/CSA F45.1-13.
 4. ALL DIMENSIONS ARE AFTER FIRE PRODUCT DIMENSIONS.
 5. RADIUS AND TBD DIMENSIONS WILL BASE UPON THE ACTUAL SAMPLE.