

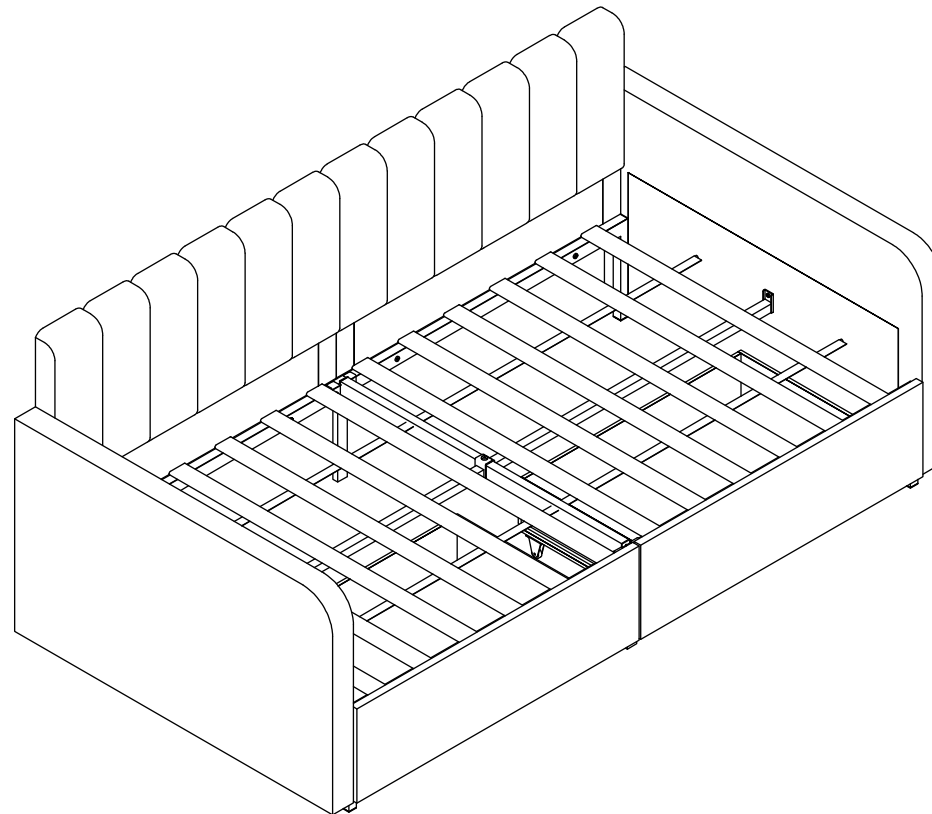
Daybed with Storage

Twin Size

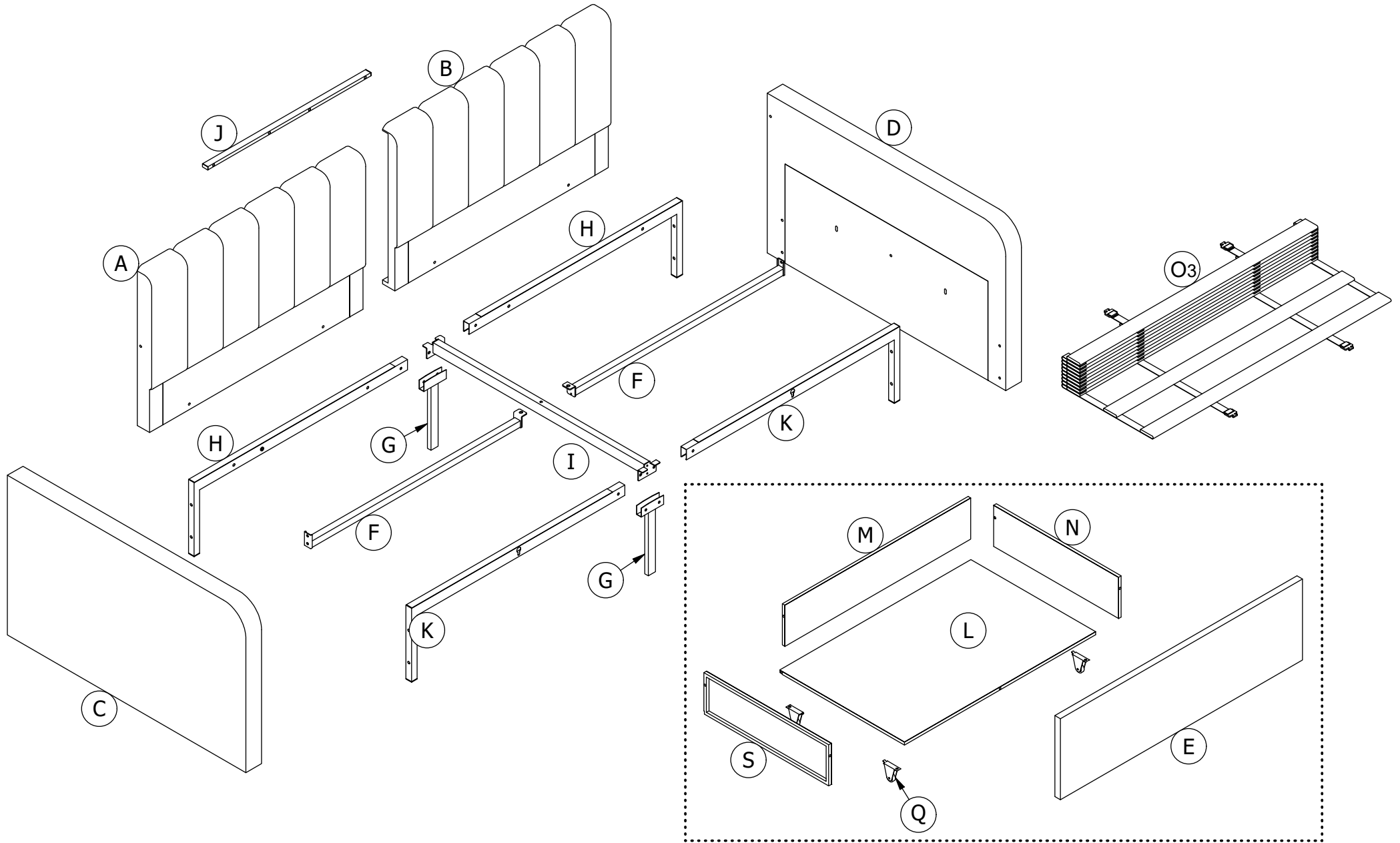
Weight Limit:

Bed: 400 lbs / 181 kg

Drawer: 40 lbs / 18 kg

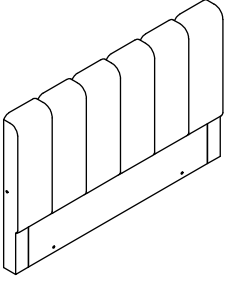
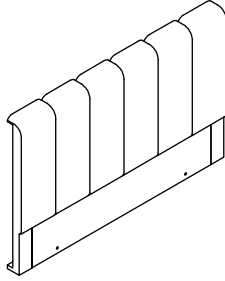
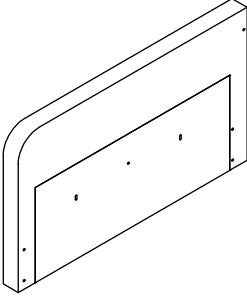
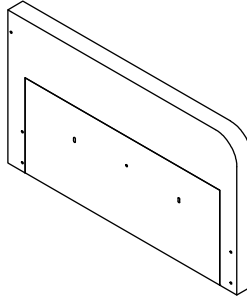
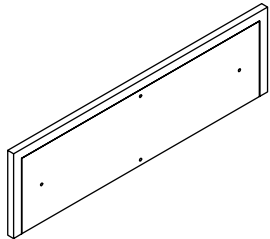
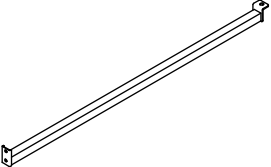
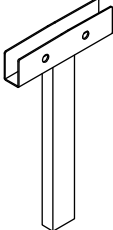
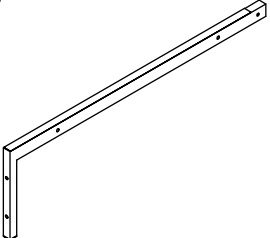
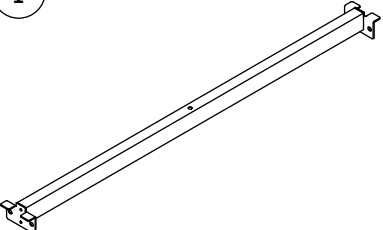
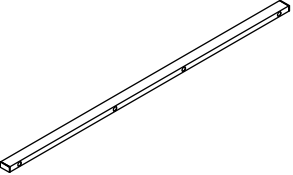



PARTS




X 2

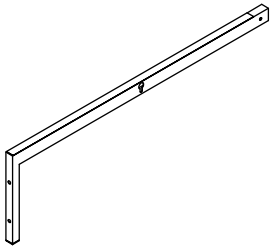
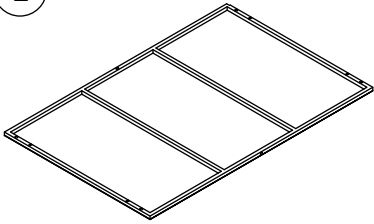
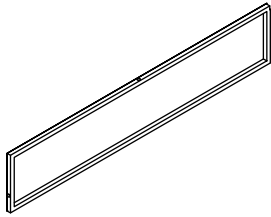
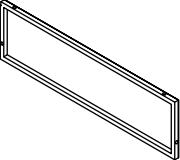
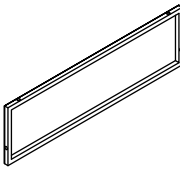
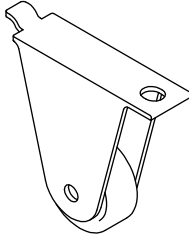
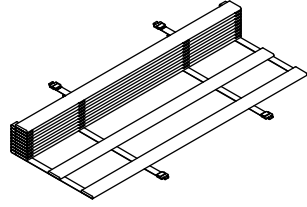
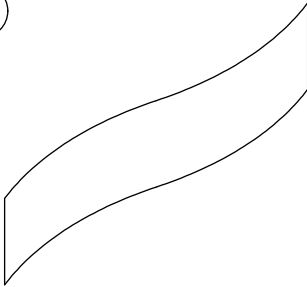
PARTS LIST

				
<p>Back Rest X 1</p>	<p>Back Rest X 1</p>	<p>Armrest X 1</p>	<p>Armrest X 1</p>	<p>Front Panel X 2</p>
				
<p>Center Rail X 2</p>	<p>Center Leg X 2</p>	<p>Side Rail X 2</p>	<p>Cross Rail X 1</p>	<p>Back Rail X 1</p>

 Each part has a unique part number. Please reference the appropriate part number when contacting customer service for replacement parts.

 Before throwing any packaging, please verify all contents and make sure you have received all the parts listed above!

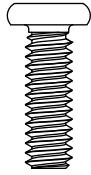
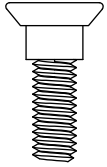
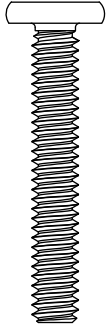
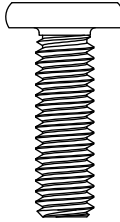
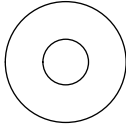


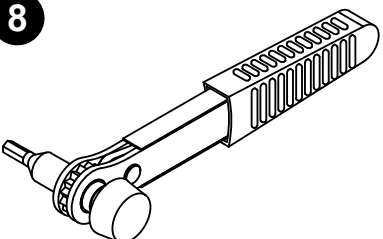
PARTS LIST


				
K Front Rail X 2	L Drawer Bottom Panel X 2	M Drawer Back Panel X 2	N Drawer Side Panel X 2	S Drawer Side Panel X 2
				
Q Caster X 8	O3 Wooden Slats 1 PC	A1 Fabric Back Panel X 1		


⚠ Each part has a unique part number. Please reference the appropriate part number when contacting customer service for replacement parts.

⚠ Before throwing any packaging, please verify all contents and make sure you have received all the parts listed above!

HARDWARE LIST

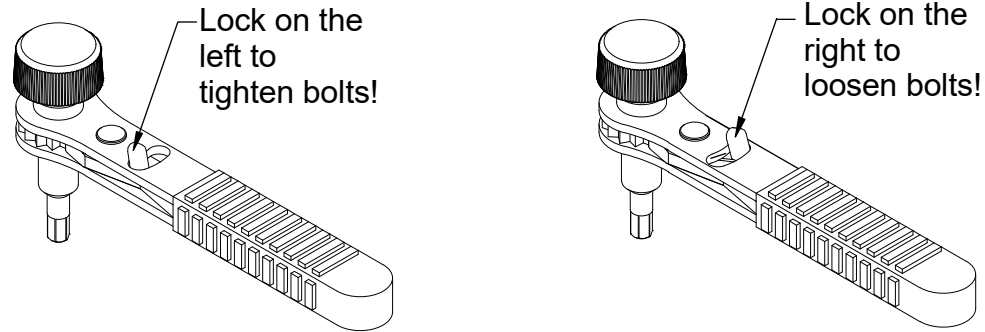
<p>1</p>  <p>1/4" X 3/4"</p>	<p>2</p>  <p>1/4" X 3/4"</p>	<p>3</p>  <p>1/4" X 1 9/16"</p>	<p>4</p>  <p>5/16" X 1"</p>	<p>5</p>  <p>1/4"</p>
<p>Bolt X 2</p>	<p>Bolt X 2</p>	<p>Bolt X 18</p>	<p>Bolt X 5</p>	<p>Washer X 4</p>
<p>6</p>  <p>3/16" X 3/4"</p>	<p>7</p>  <p>4mm</p>	<p>8</p>  <p>4mm</p>		
<p>Bolt X 20</p>	<p>Allen Key X 1</p>	<p>Ratchet Wrench X 1</p>		

 Please do not completely tighten all the hardware, until the entire assembly is complete, unless otherwise indicated in the step-by-step instructions.

 The screw(s), bolt(s) to be used at each step are shown in actual size in the lower right corner of the page.

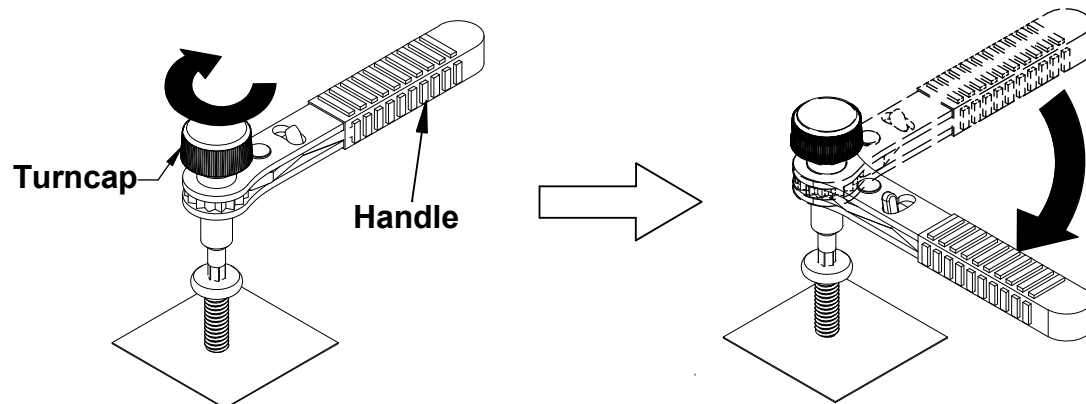
How To Use The Ratchet

1. Before assembling the furniture, please adjust the lock tool as needed.



2. Tighten or loosen the bolts

- **Tighten bolts** : Locate the turncap (picture) and rotate it clockwise to screw the bolt quickly, until it cannot be rotated any more. Then start rotating with the handle clockwise to finalize tightening the bolts.
- **Loosen bolts** : Rotate the handle counterclockwise to loosen the bolt. Then, to completely remove the bolts, continue rotating with the turncap in the same direction.

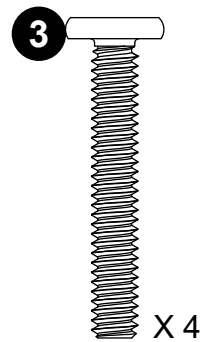
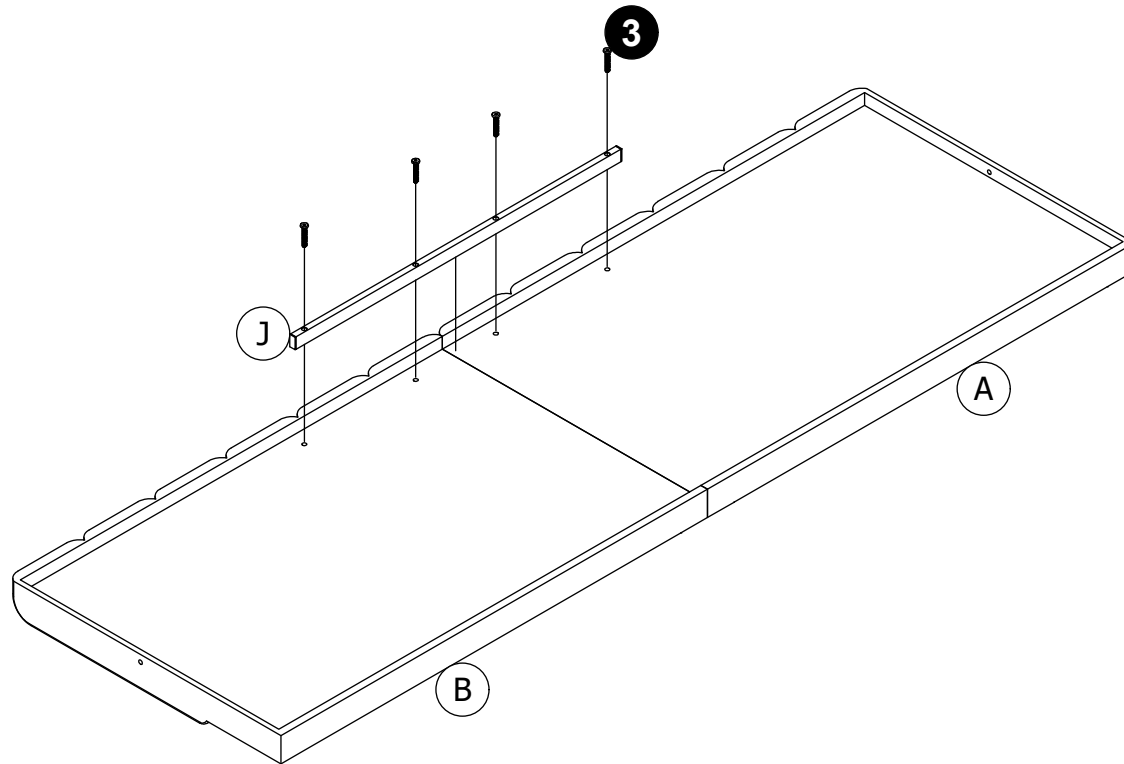


Helpful Hints

- Before assembling the furniture, please read the instructions on how to use ratchet, it will help you to assemble the furniture quickly.
- Please don't throw away the ratchet in case you may need to use in future.

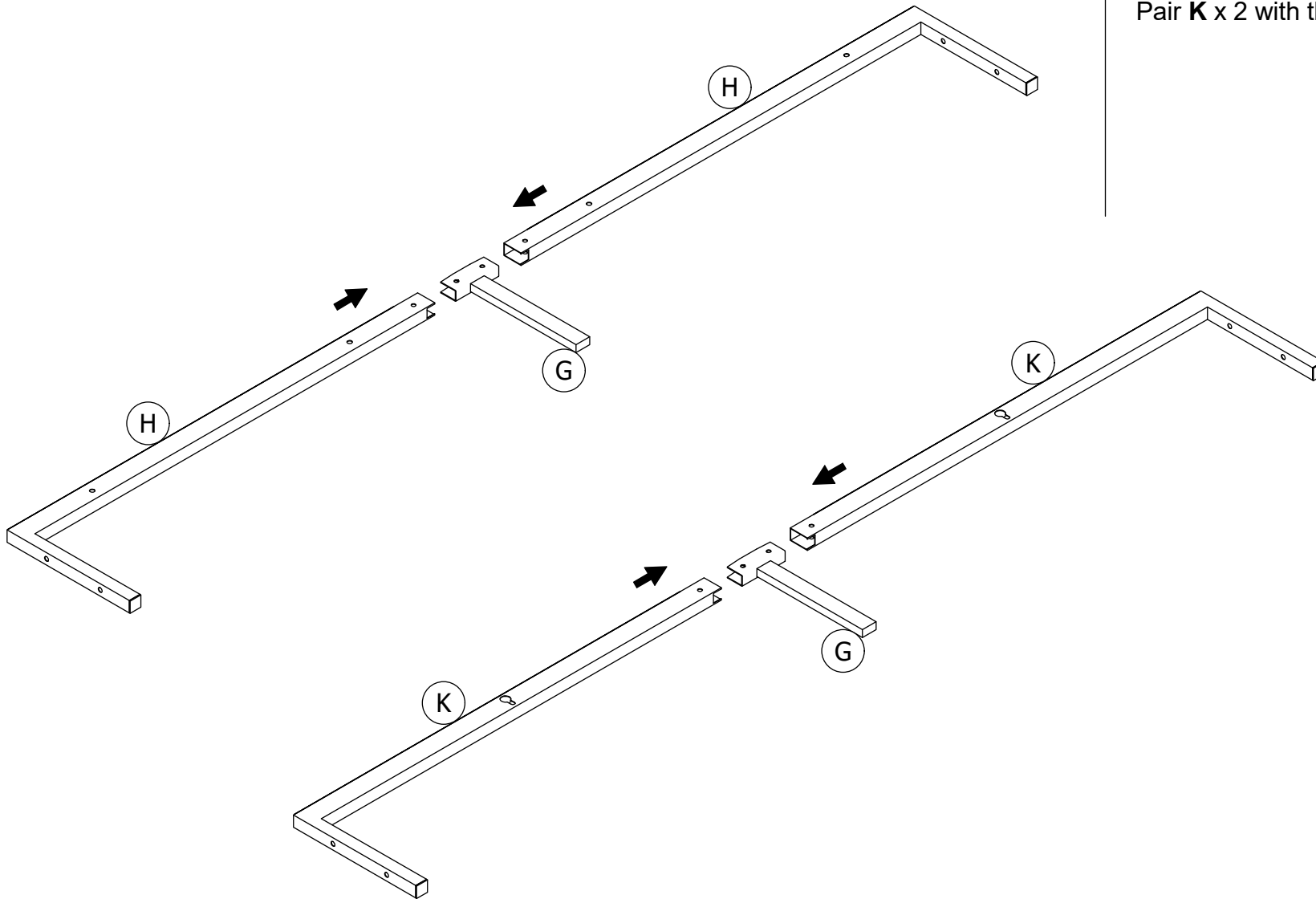
Step 1

Attach **J** to **A** and **B** with **3**.



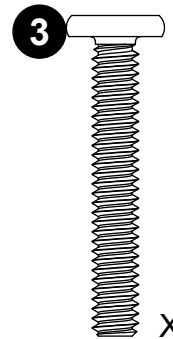
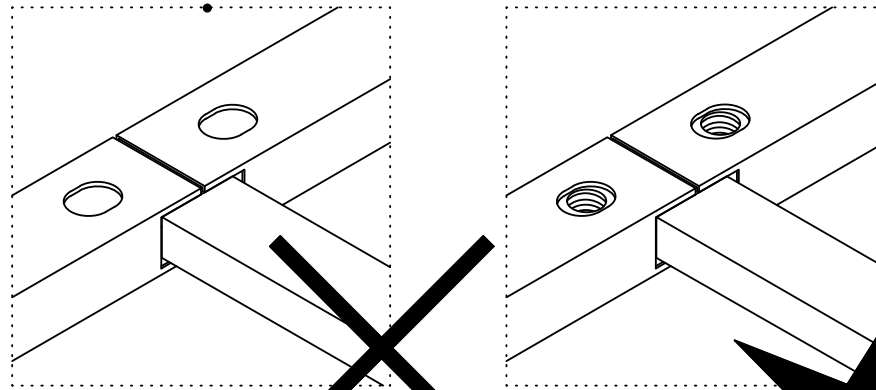
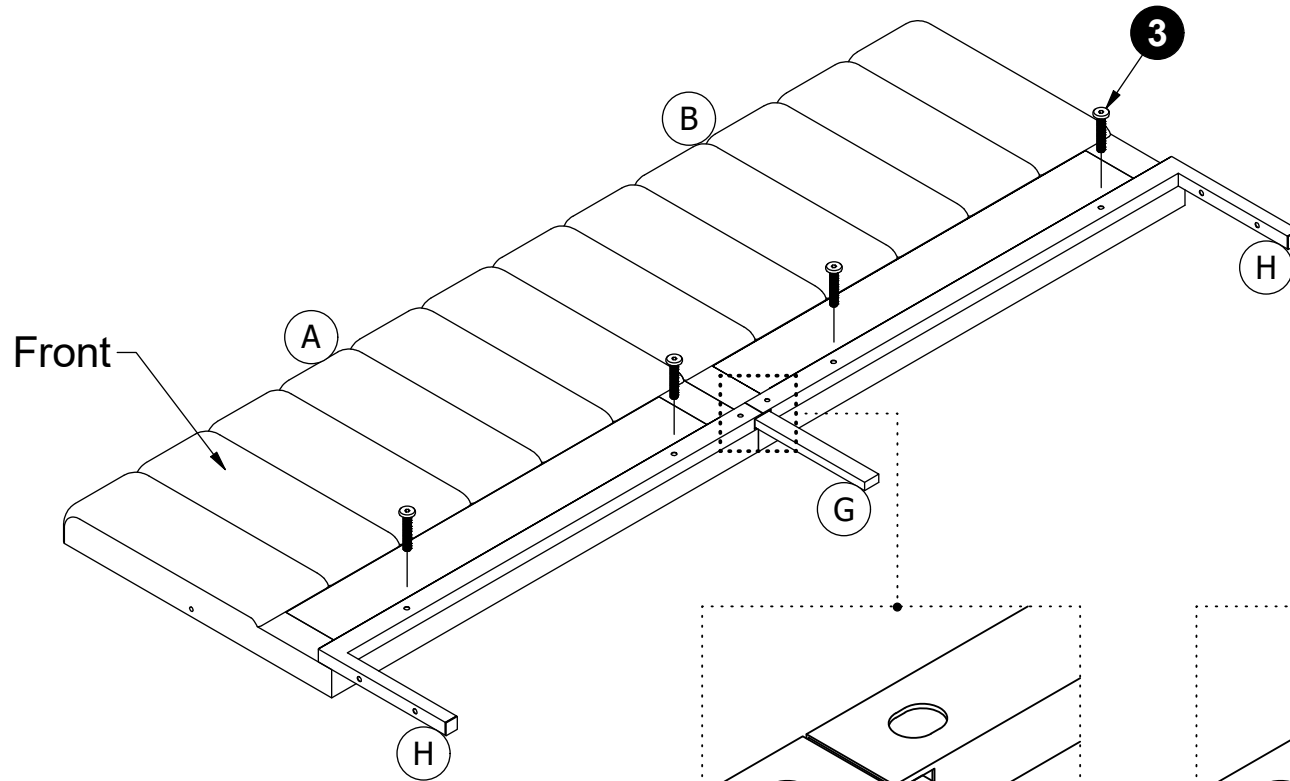
Step 2

Pair **H** x 2 with one **G** .
Pair **K** x 2 with the other **G** .



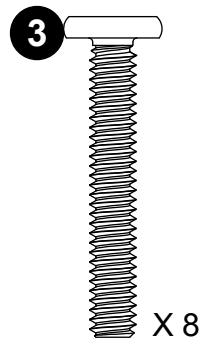
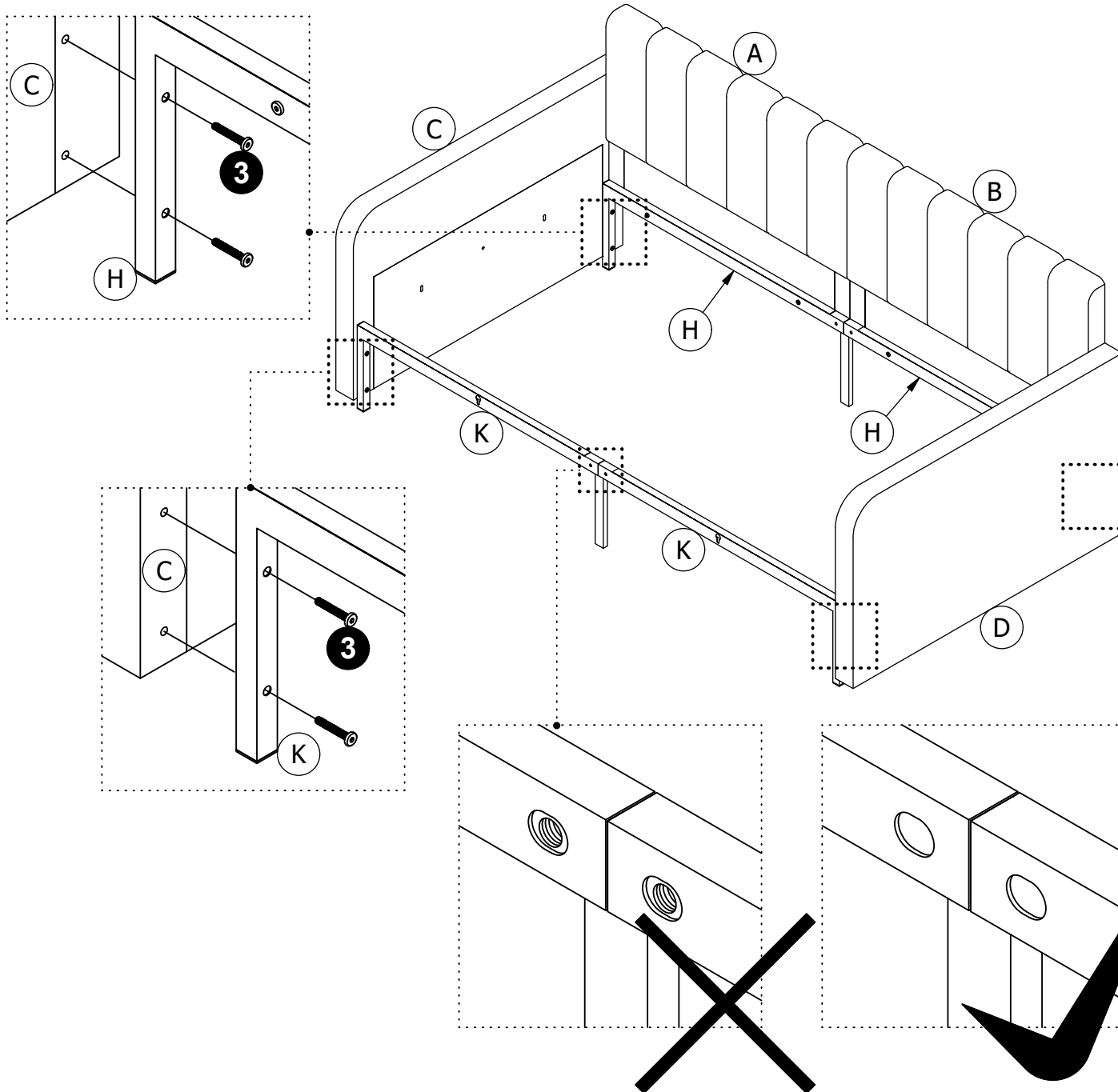
Step 3

Attach **H** x 2 to **A** and **B** with **3**.



Step 4

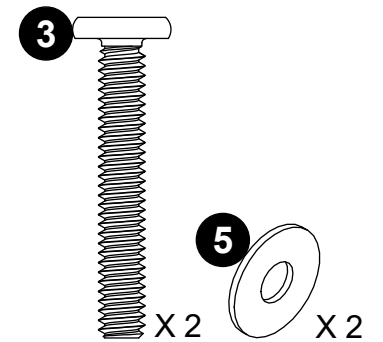
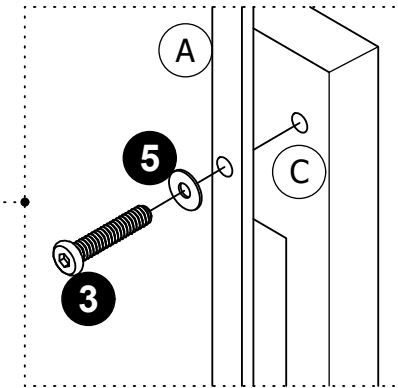
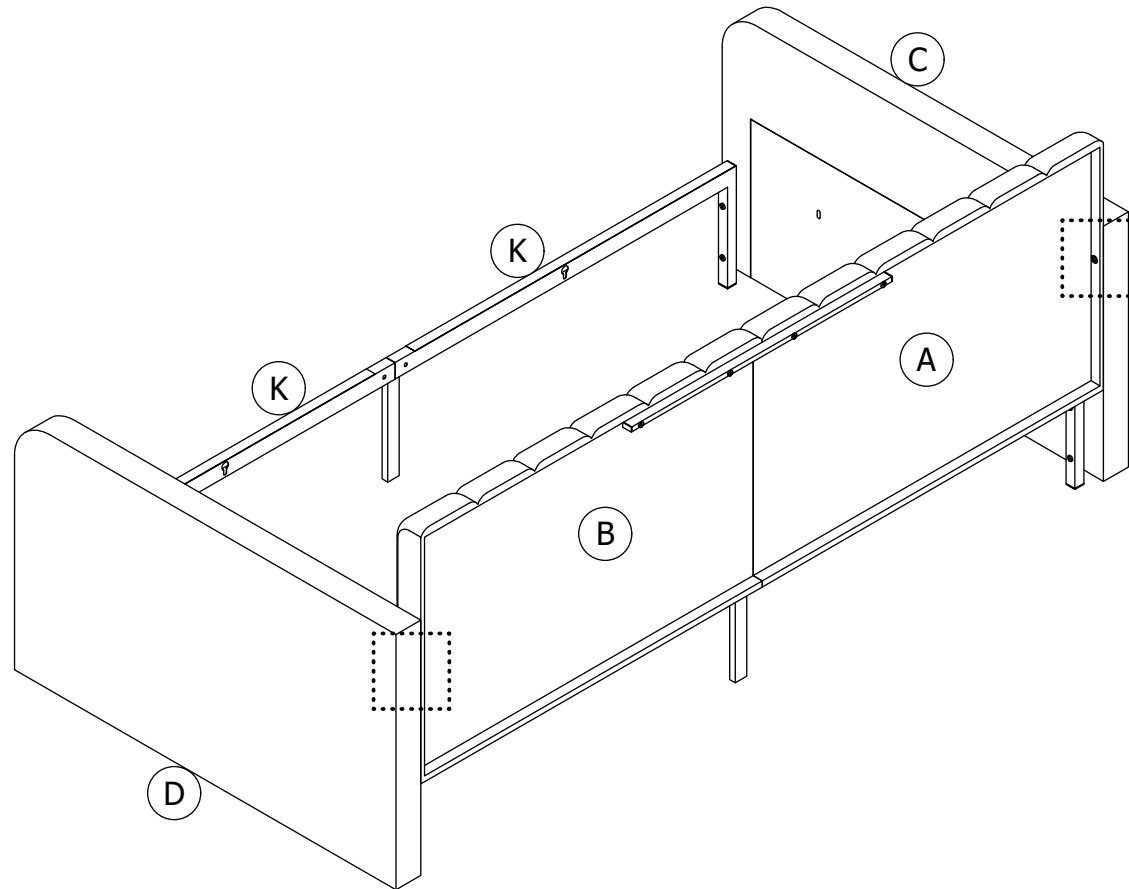
Attach **H** and **K** to **C** and **D** with **3**.



Step 5

Attach **A** to **C** with **3** **5**.

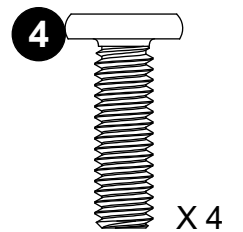
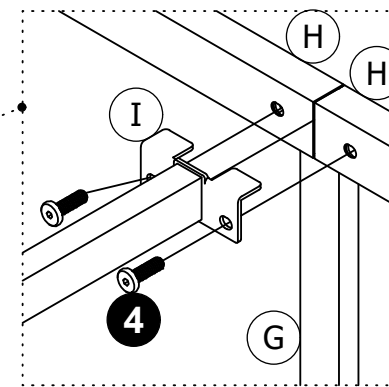
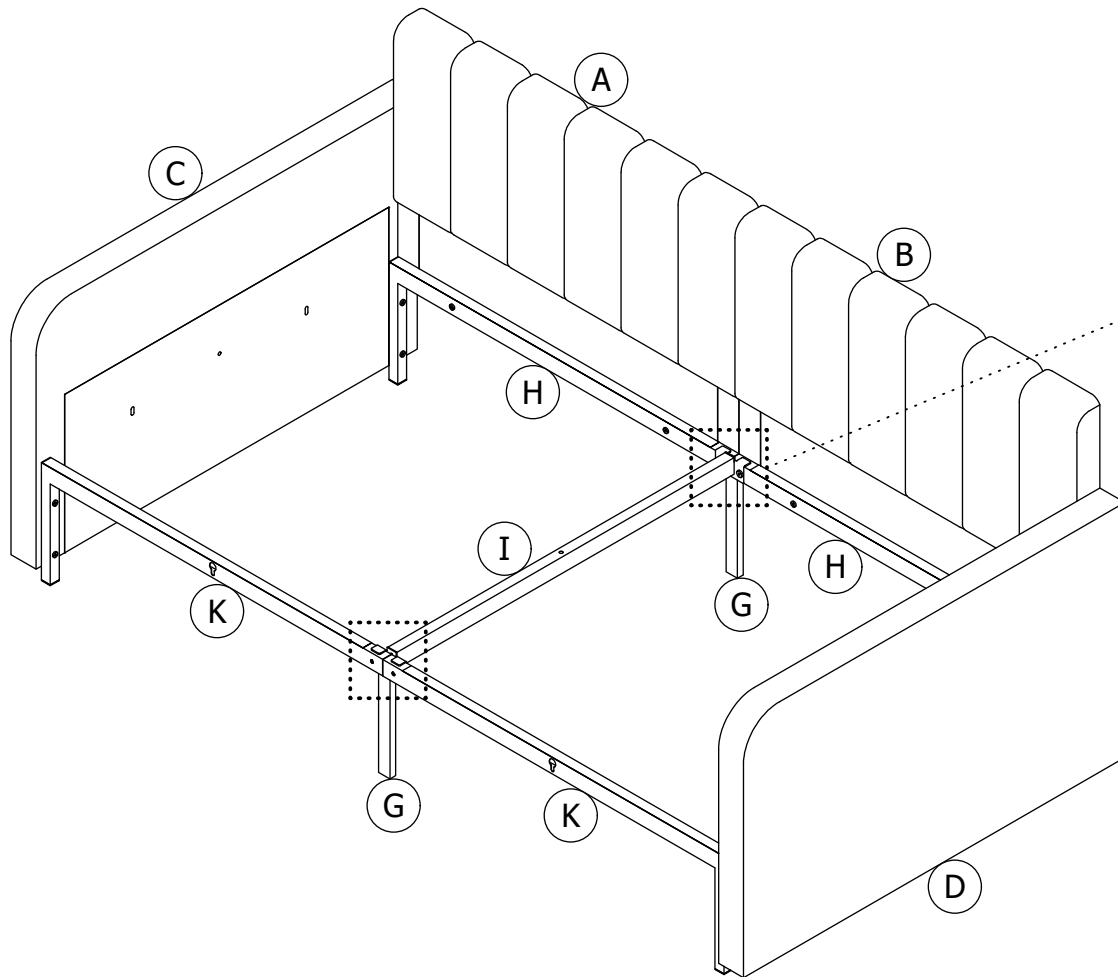
Attach **B** to **D** with **3** **5**.



Step 6

Attach **I** to **H** and **G** with **4**.

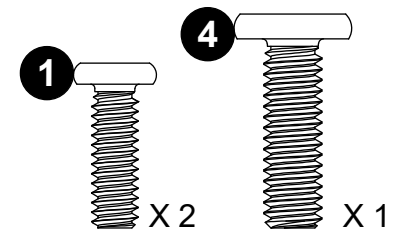
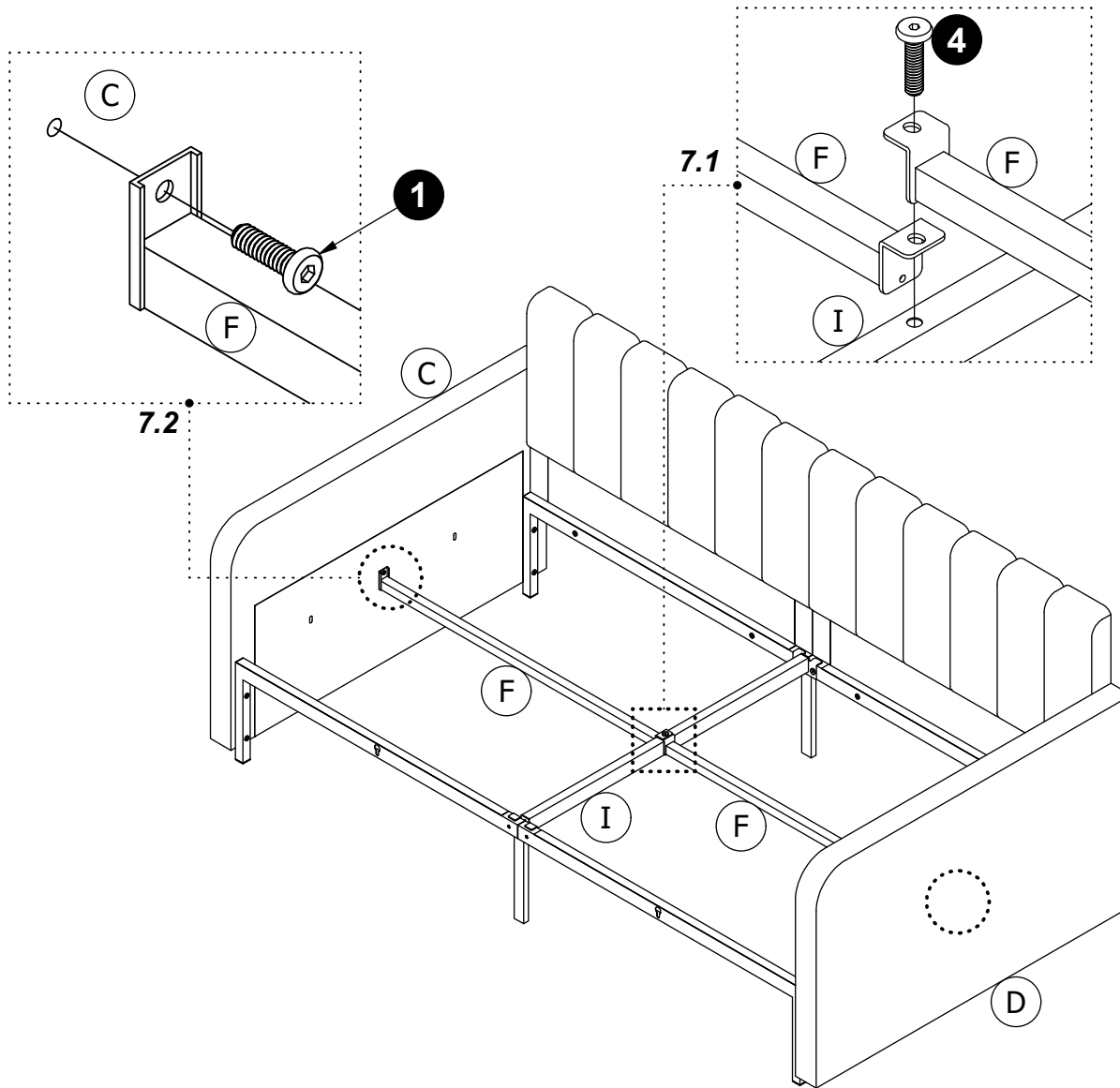
Attach **I** to **K** and **G** with **4**.



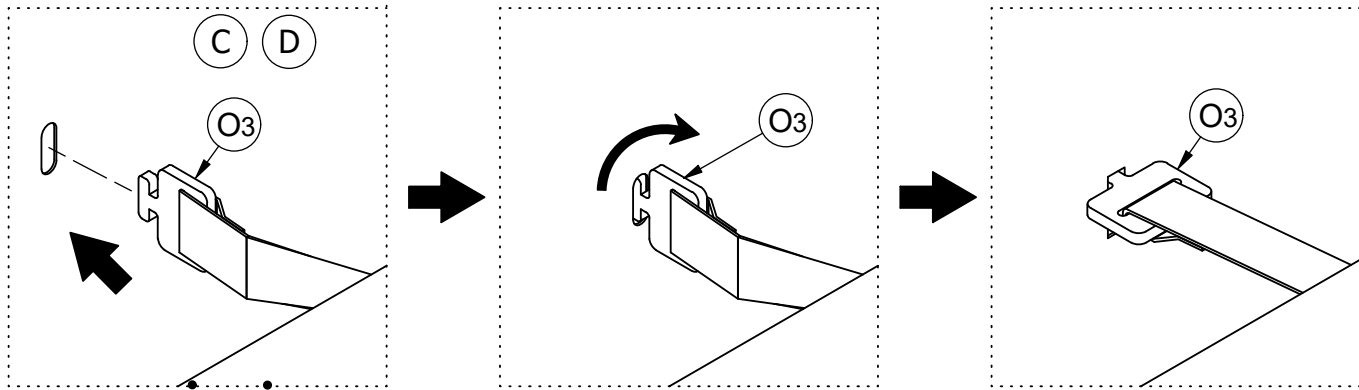
Step 7

7.1 Attach F x 2 to I with 4.

7.2 Attach F x 2 to C and D with 1.



Step 8

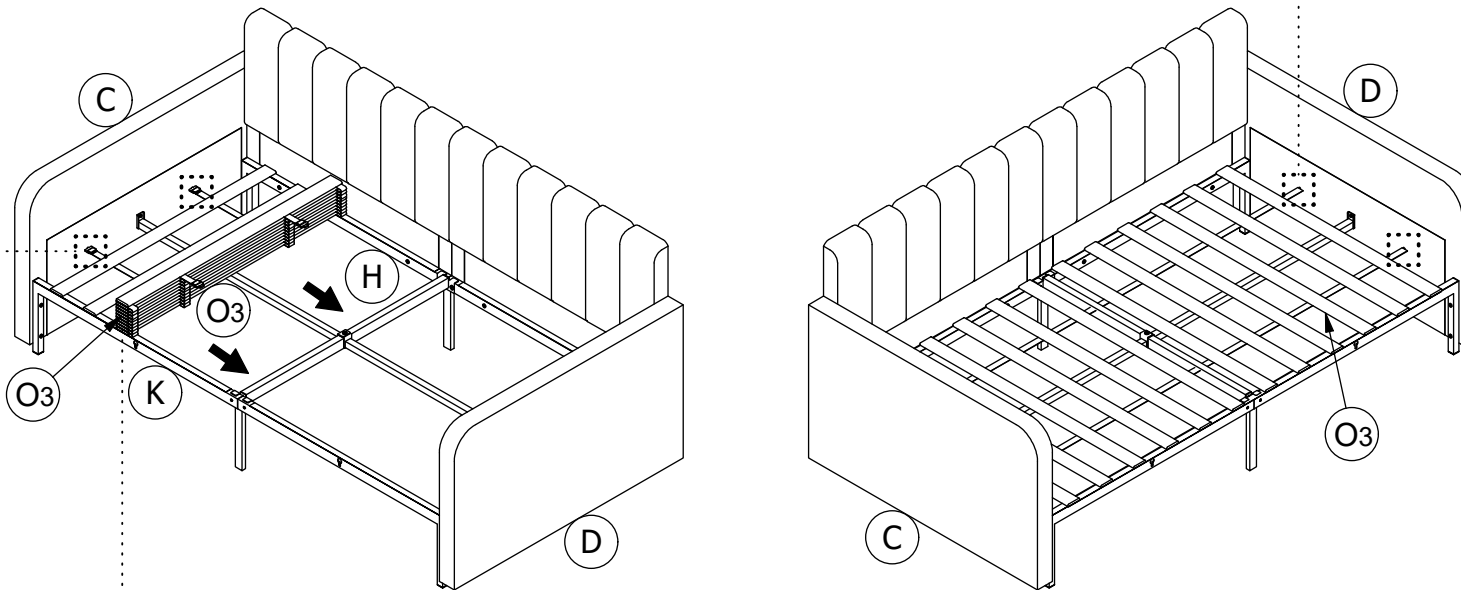


8.1 / 8.3

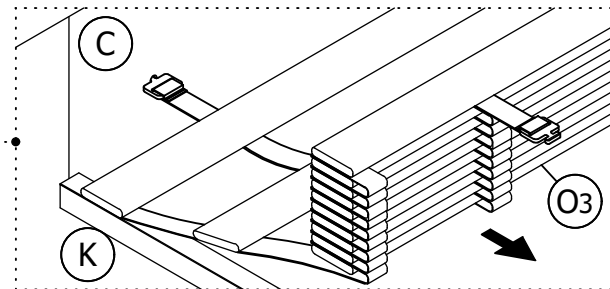
8.1 Attach one end of the nylon straps on the wooden slats **O3** to **C**.

8.2 Spread the slats **O3** along the bed with equal spacing, engage the velcro at the end of slat with the counter part on **H** and **K**.

8.3 Attach the other end of the nylon straps on the wooden slats **O3** to **D**.

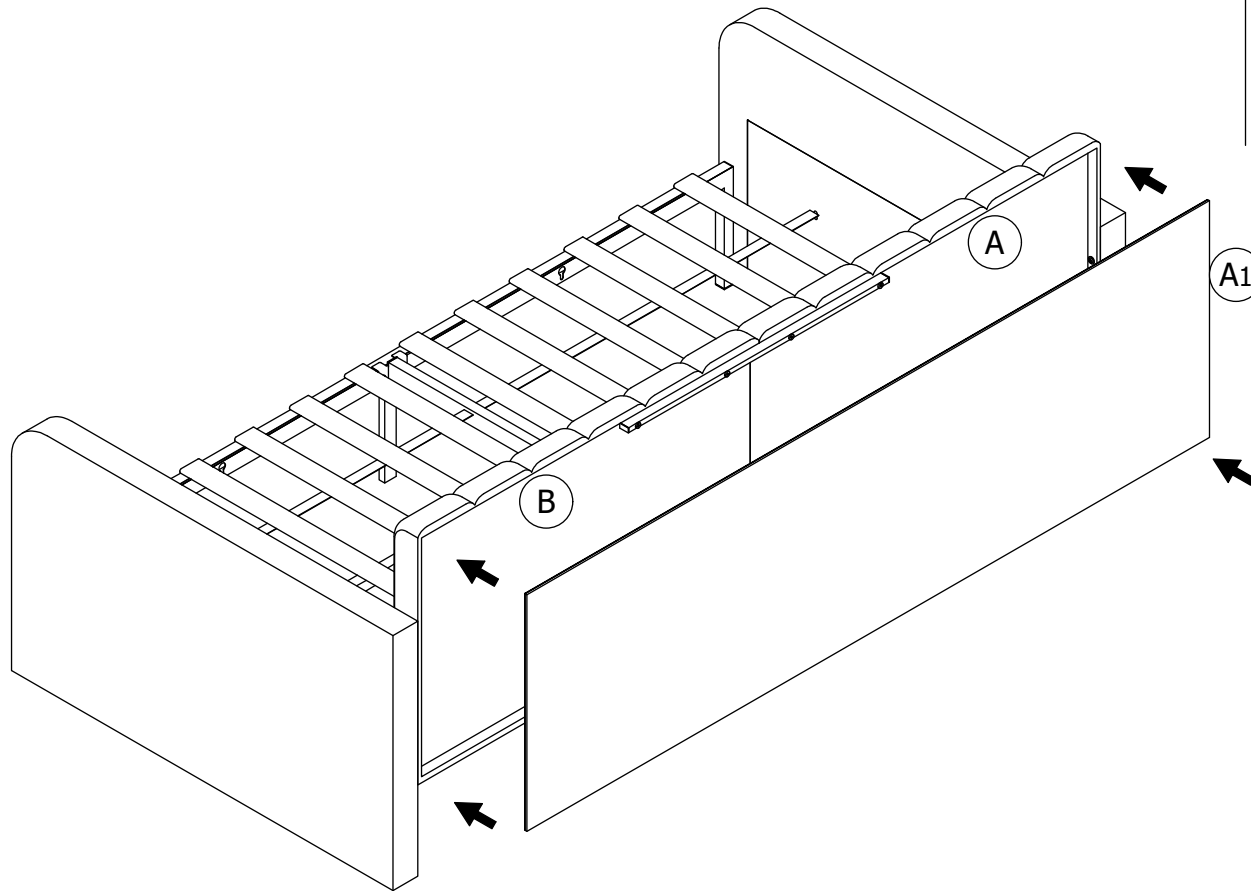


8.2



Step 9

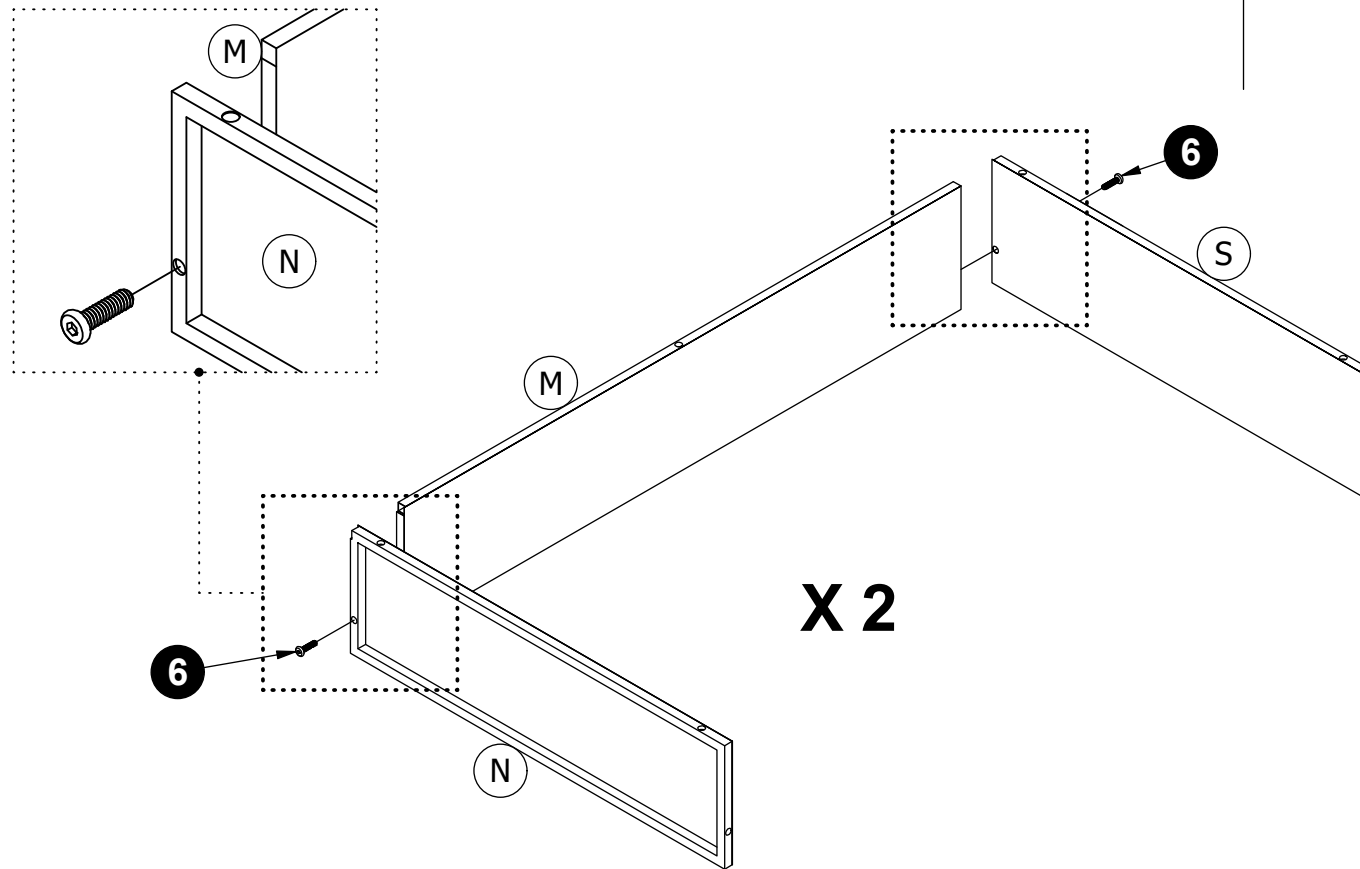
Stick **A1** to the back of **A** & **B** with Velcro as illustrated.



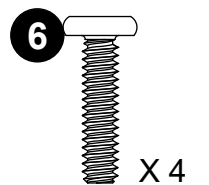
Step 10

Attach **M** to **S** and **N** with **6**.

⚠ Don't completely tighten the bolts until **STEP 12** is complete.



X 2

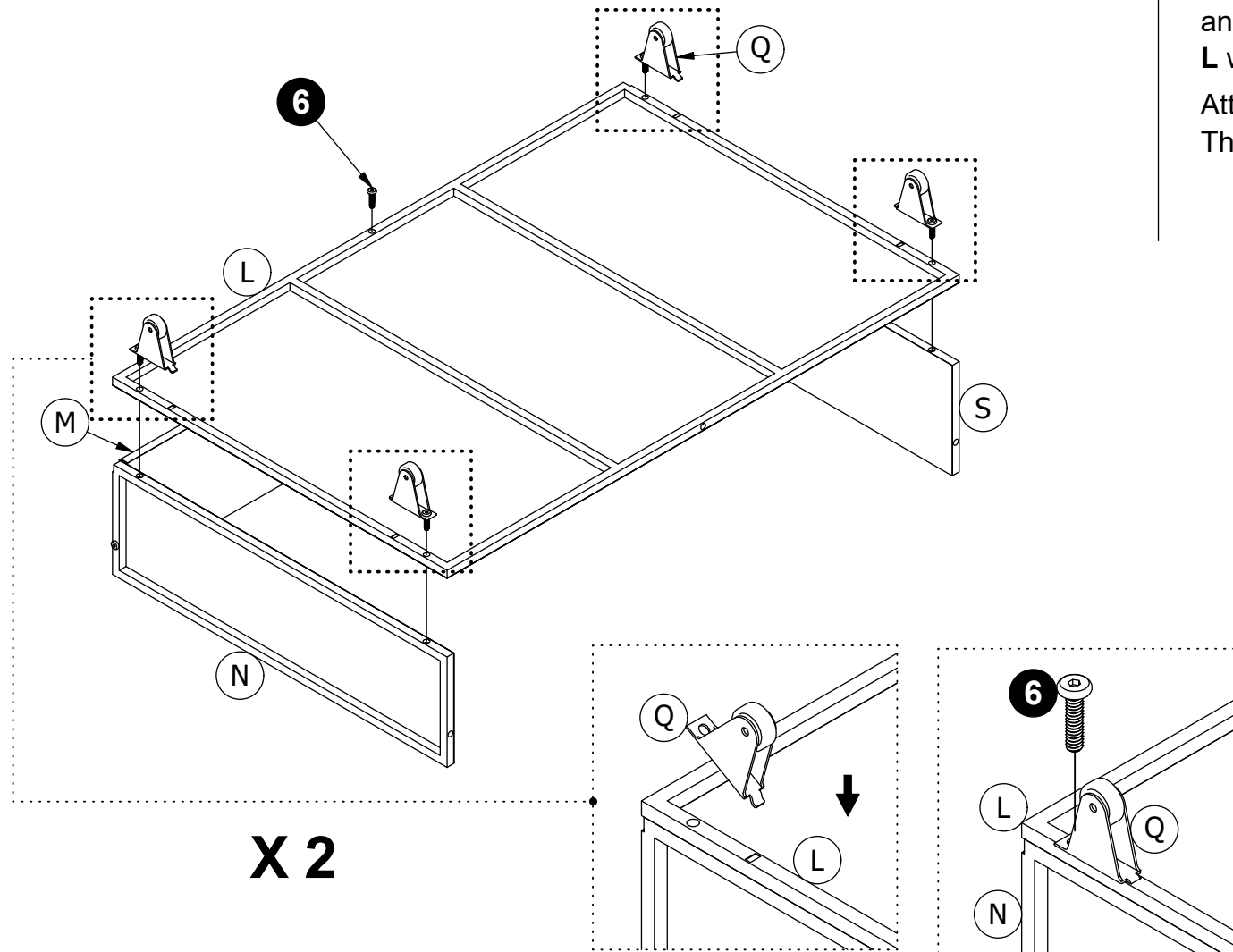


Step 11

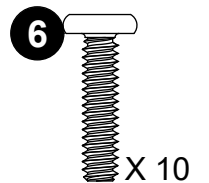
Insert one end of **Q** X 4 into the slot of **L** and secure another end to **S** and **N** through **L** with **6**.

Attach **L** to **M** with **6**.

Then properly tighten all the bolts.

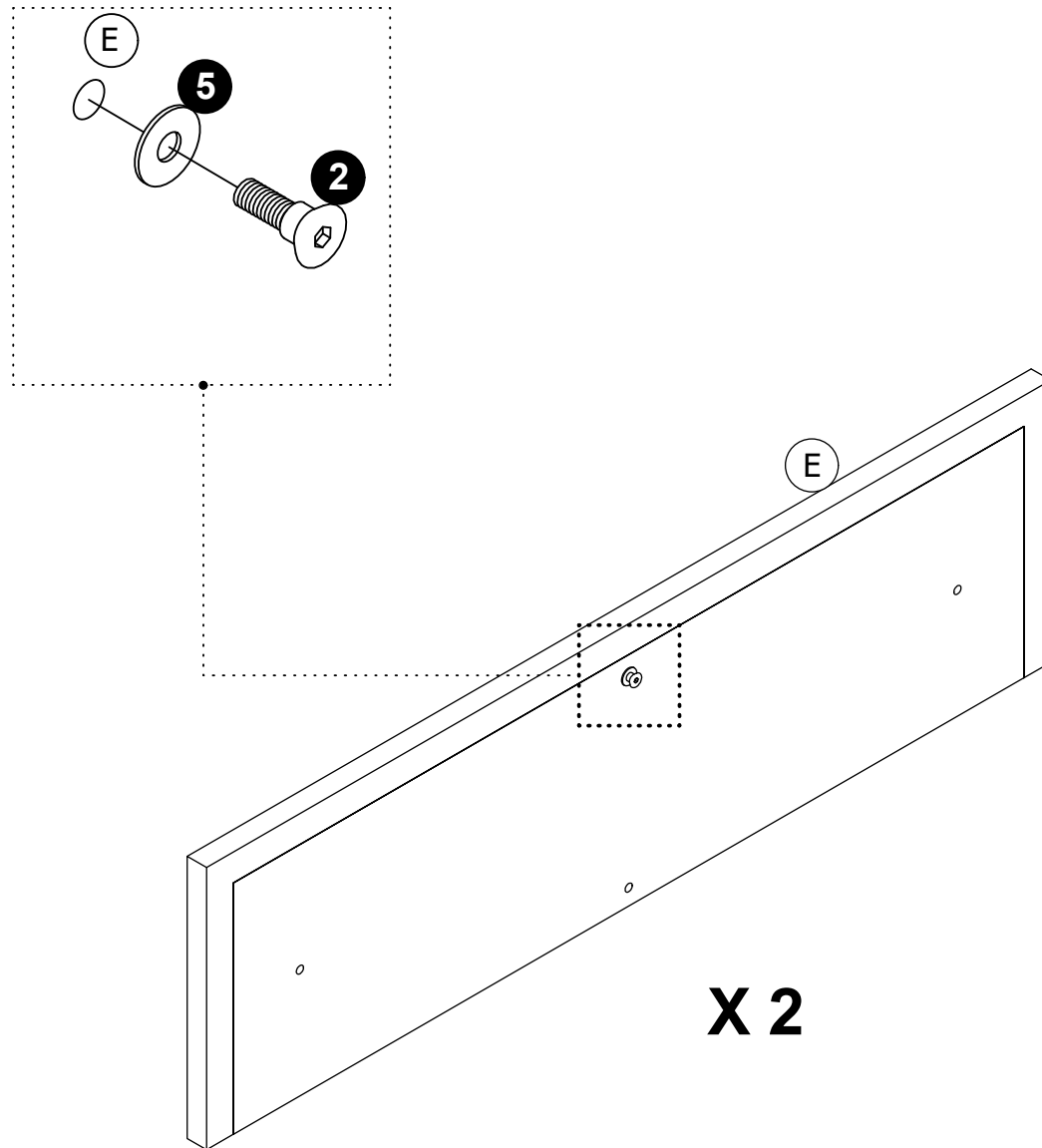


X 2

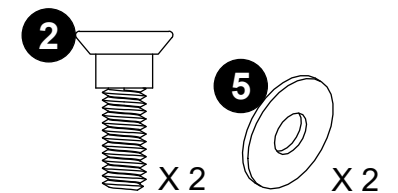


Step 12

Attach **2** and **5** to E.

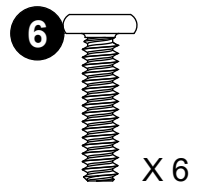
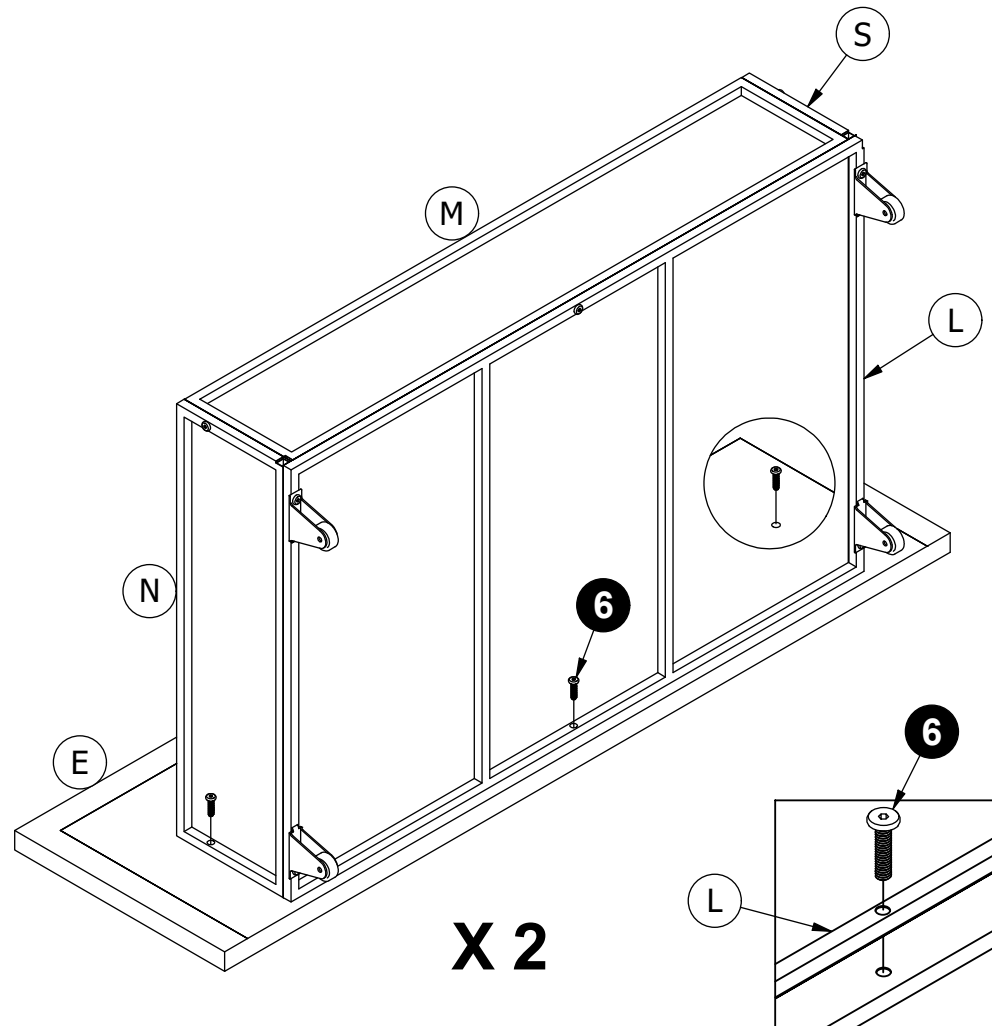


X 2



Step 13

Attach sub-assembly **L/S/N/M** from previous step to **E** with **6**, then properly tighten all the bolts.



Step 13

Align Drawers with the bed frame and push them into the bed.
Lock drawers by slightly lifting drawer and inserting the **Pin** into the **Slot**.

