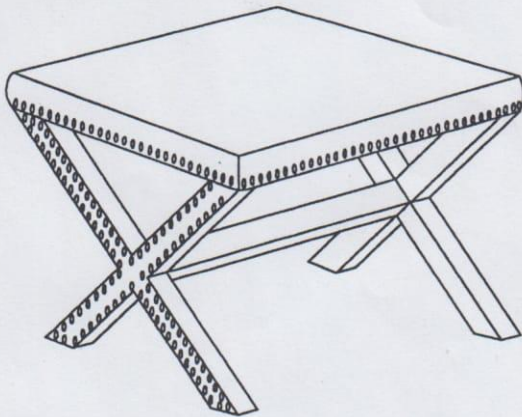


# ASSEMBLY INSTRUCTION



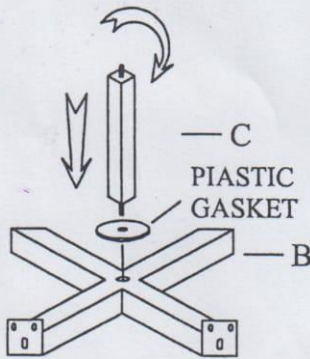
## Parts List

NO.	DESCRIPTION	SKETCH	Q'TY
A	CHSHION		1PC
B	CROSS LEG		2PCS
C	CROSS BAR		1PC

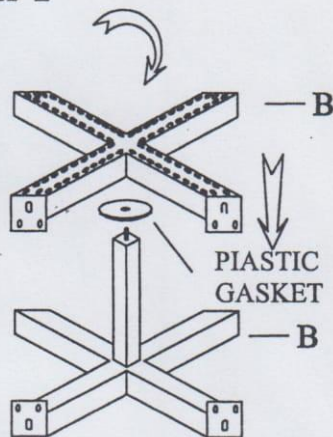
## Hardware List

NO.	DESCRIPTION	SKETCH	Q'TY
1	BOLT		8PCS
2	LOCK WASHER		8PCS
3	FLAT WASHER		8PCS
4	ALLEN WAENCH		1PC

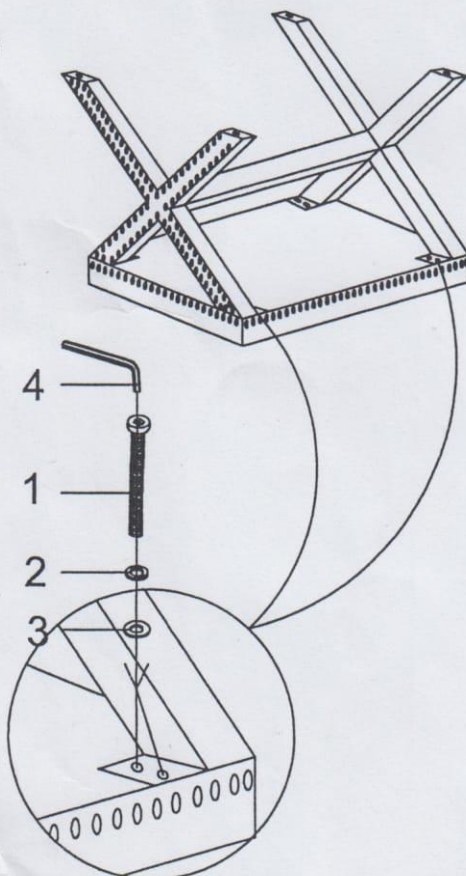
STEP 1



STEP 2



STEP 3



STEP 4

