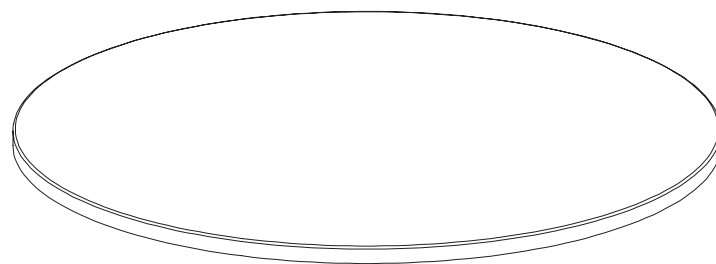
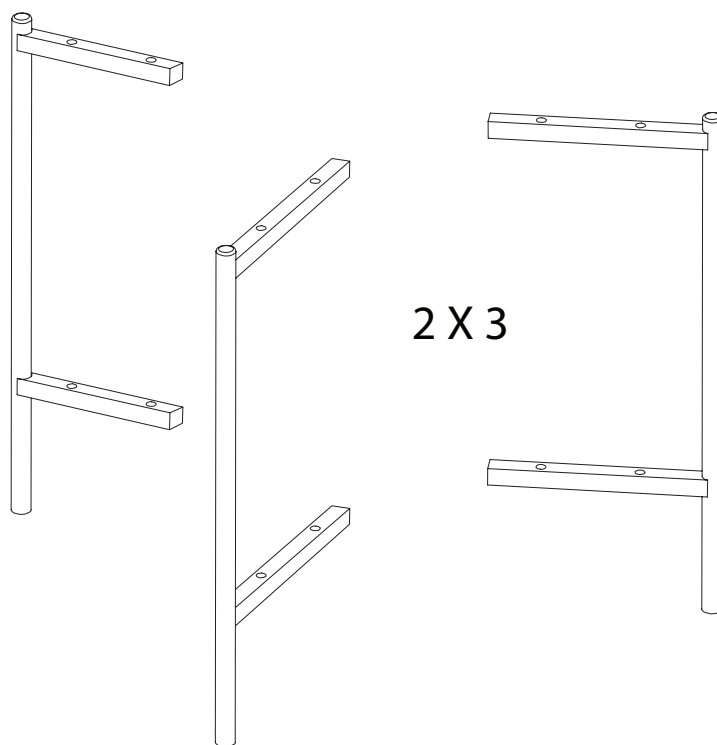
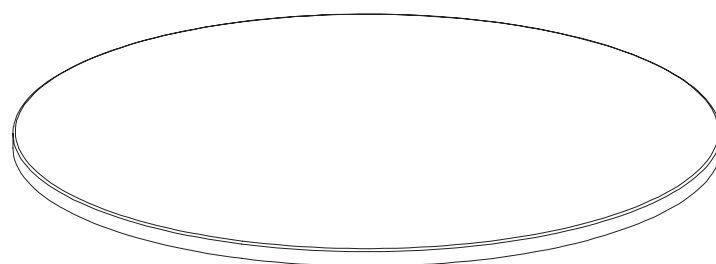


| | | |
|--|--|------------|
| | | |
| | | <p>20'</p> |
| | | |
| | | <p>1</p> |



1 X 2



2 X 3

| 1 | 2 | A | B |
|-----|-----|------|-----|
| | | | |
| x 2 | x 3 | x 12 | x 1 |

1

