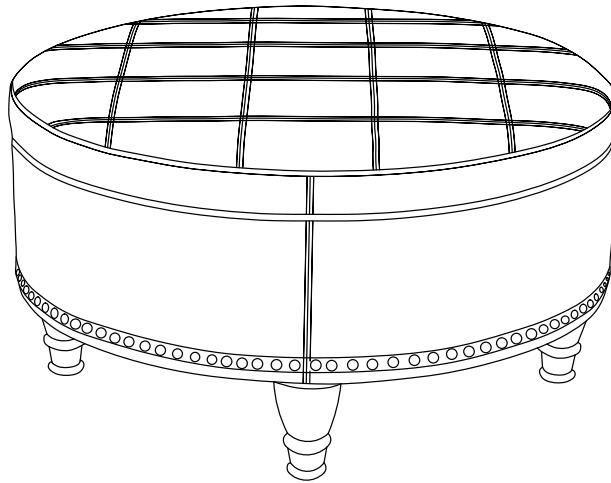


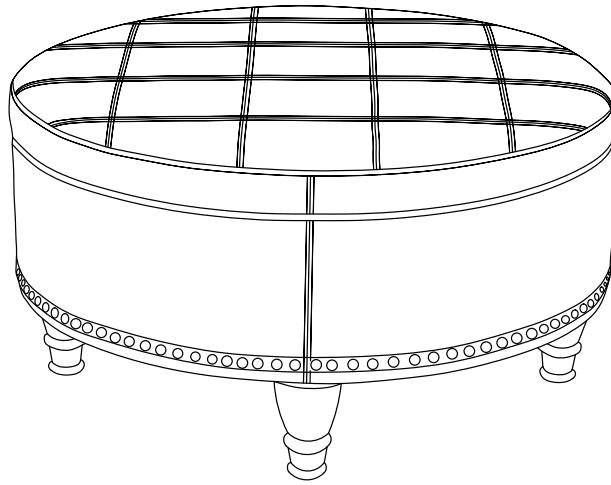
Tradition Reinvented®

# STORAGE OTTOMAN

## ASSEMBLY INSTRUCTIONS



**IF PARTS ARE MISSING OR DAMAGED, DO NOT RETURN TO STORE**

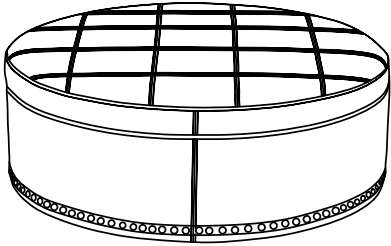


### ***WARNING***

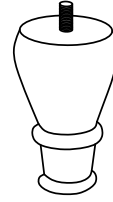
1. Do not use this product unless all screws and bolts are securely tightened.
2. Check that all screws and bolts are tight every three months or as needed.
3. Dispose of packing material properly. Do not use plastic cover as head covering. It may cause suffocation.
4. Do not use this product as a stepladder.
5. Use this product for its intended purpose only.
6. **Intended for residential use only.**

### ***LIMITED WARRANTY***

## PARTS LIST



(1) Ottoman (1 PC)



(2) Leg (4 PCS)

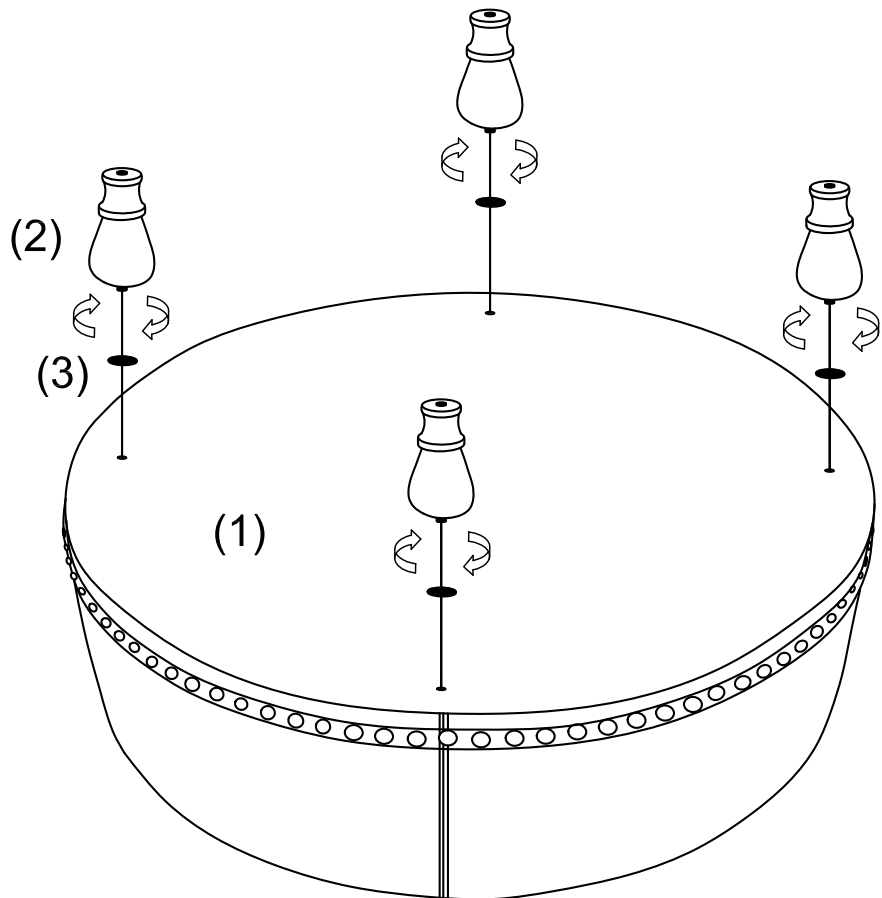


(3) Spacer (4 PCS)

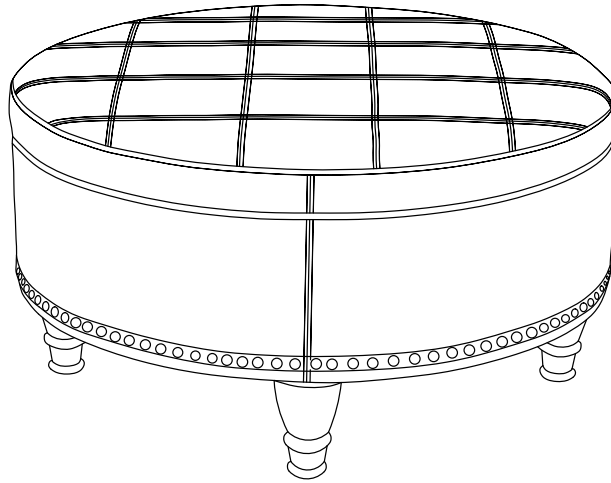
**THANK YOU** for purchasing this quality product. Be sure to check all packing material carefully for small parts which may have come loose inside the carton during shipment. Identify and count all parts and compare with the parts and hardware lists.

**STEP 1:**

Screw in Legs (2) to bottom of Ottoman (1) using one Spacer (3) for each Leg (2). **FULLY TIGHTEN ALL LEGS (2).**



**IMPORTANT: MAKE SURE ALL LEGS ARE SECURELY TIGHTENED BEFORE USING THIS PRODUCT.**



***FURNITURE CARE:***

- Dust with a soft cloth following the grain pattern of the wood.
- Dust often to remove the everyday abrasive particles from the wood surfaces.
- Before dusting, moisten cloth lightly with a spray product.
- Wood finishes also benefit from an occasional polishing.