



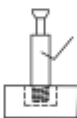

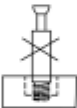

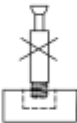
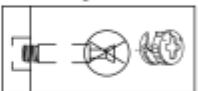
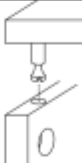

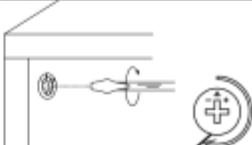
Before Installation

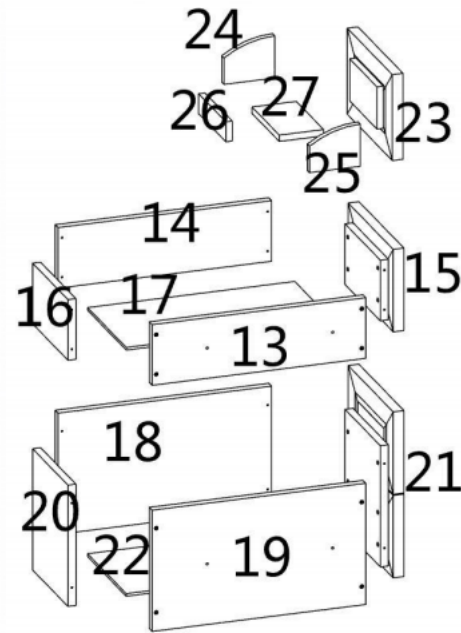
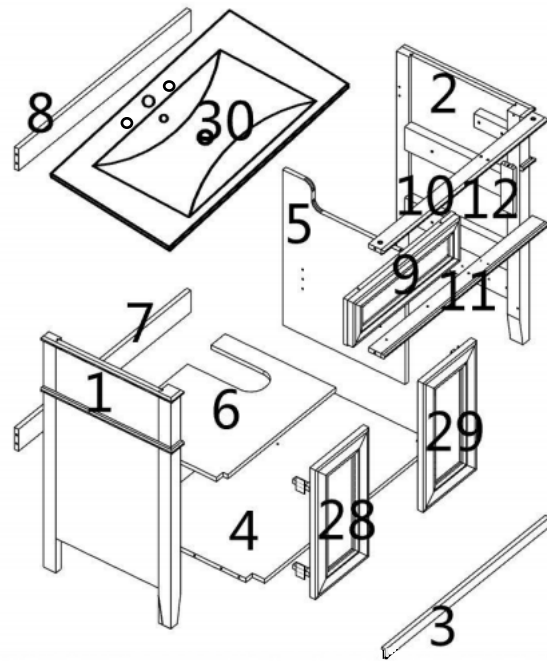
Important – Please read these instructions fully before starting assembly

Thank you for purchasing this quality product. Be sure to check all packing materials carefully for small parts, which may have come loose inside the carton during shipment. Identify and count all items according to the PARTS LIST and/or HARDWARE LIST shown below. Check you have all the components and tools listed on the following pages.

- We recommend that you assemble this product with the assistance of another person; this will make the assembly easier, and will help eliminate damage to the product or injury to persons during assembly.
- Please do not over tighten screws or bolts until the assembly is completed.
- Keep children and animal away from the work area, small parts could choke if swallowed.
- Please put all parts on a non-abrasive floor before assembly, and follow the assembly steps to assemble your newly purchased product correctly and efficiently.

Cam Lock Assembly Instructions

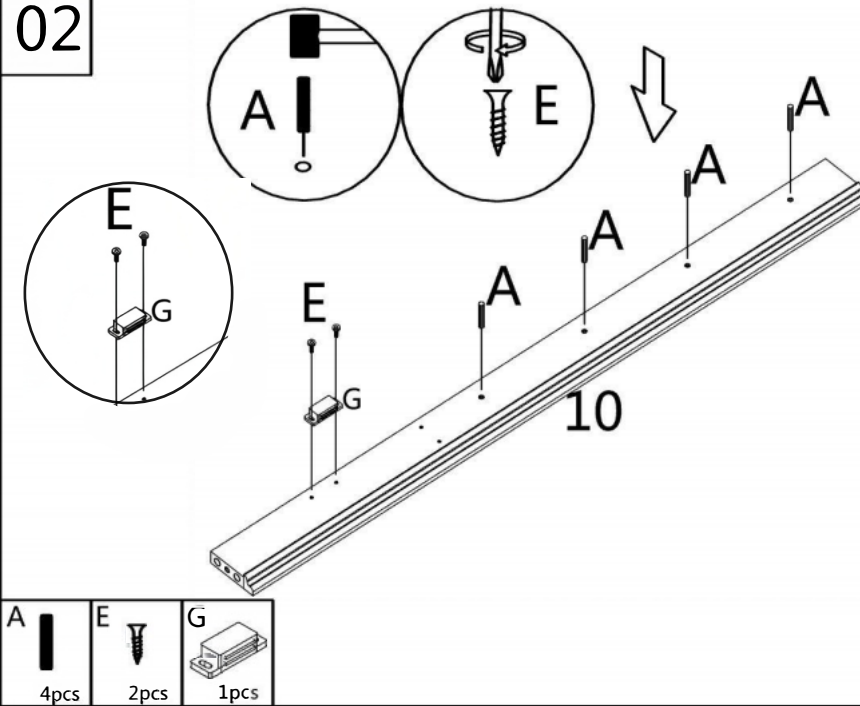
		Diagram A Insert Cam Bolt into hole as shown in diagram A.
		Diagram B Make sure not to insert the Cam Bolt: Too deep as shown in figure B as this will cause the Cam Lock to be misaligned and unable to interlock properly.
		Diagram C Also avoid inserting the Cam Bolt too close to the surface of the hole as shown in figure C, as this will cause the Cam Lock to be too loose, and not interlock properly.
		Connect the panels together.
		ARROW SIGN Insert the Cam Lock so the side opening fits over the head of the Cam Bolt.
		To tighten the Cam Lock, turn it clockwise on half a turn with a flat screwdriver. <i>*Do not use an automatic screwdriver as it may bend or break if too much power is imposed.</i>



01

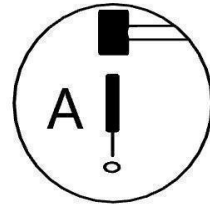
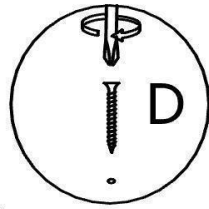
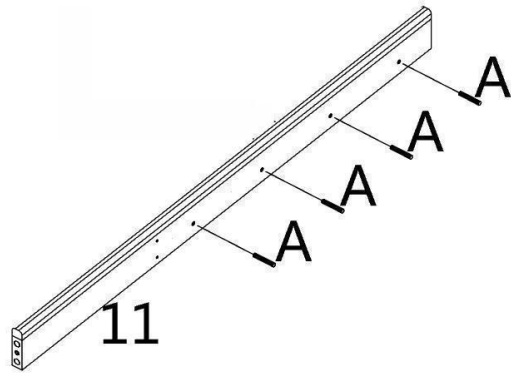
A	$\phi 8*30$	30	I	1
B	30	J	2	
C	$\phi 15*12$	30	K	1
D	$\phi 4*30$	30	L	4
E	$\phi 3.5*14$	57	M ₁	$\phi 4*22$ 14
F	4	M ₂	7	
G	1	N	2	
H	4	SPARE HARDWARE	A *3 C *3 E *5 B *3 D *3	

02



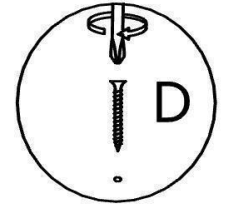
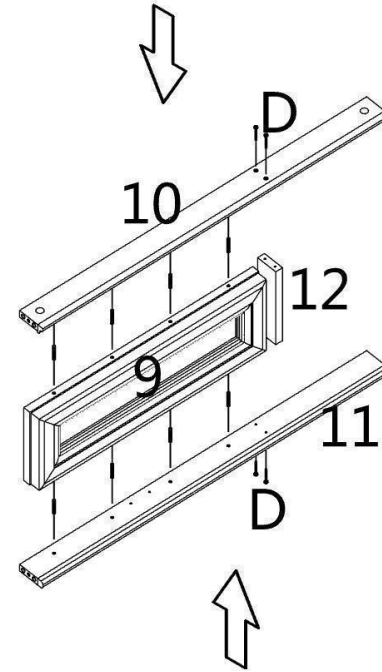
A	E	G
4pcs	2pcs	1pcs

03



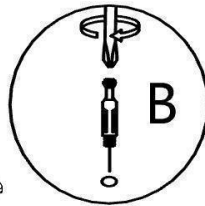
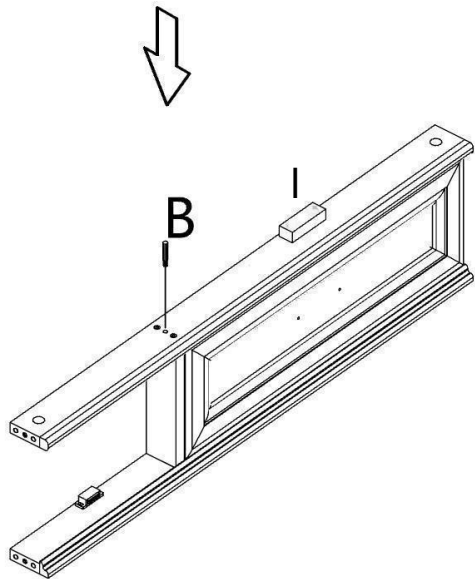
A
4pcs

04



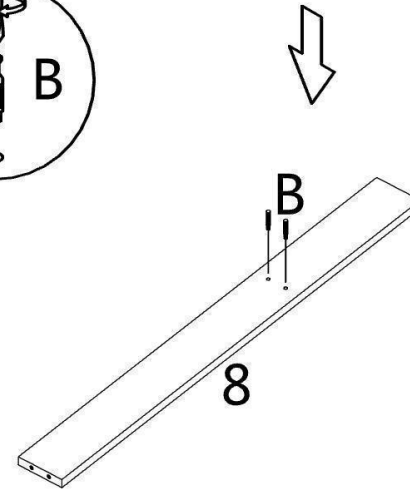
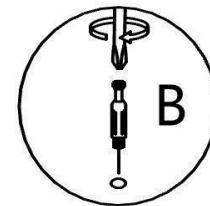
D
4pcs

05



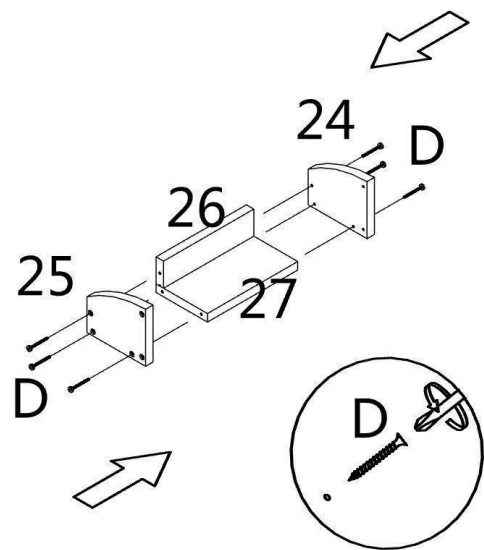
B
1pcs

06

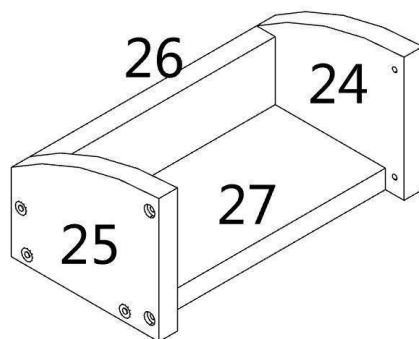


B
2pcs

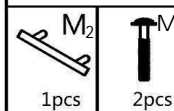
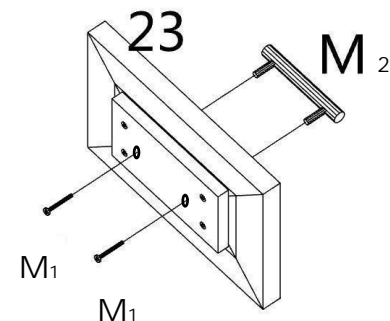
07



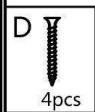
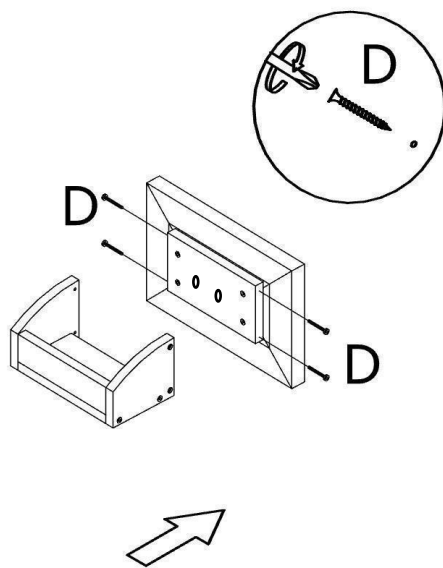
08



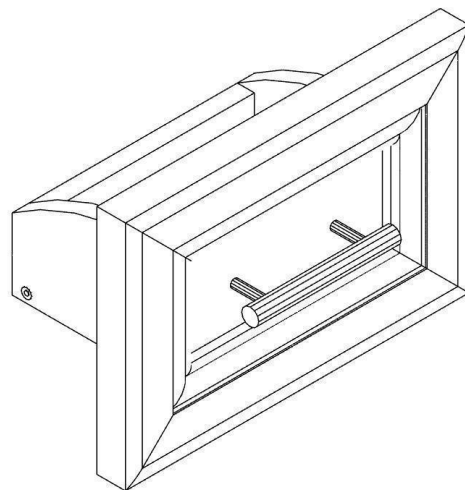
09



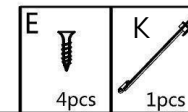
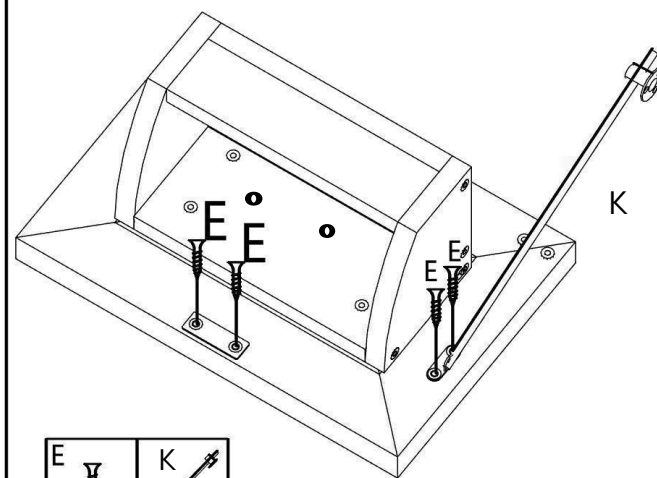
10



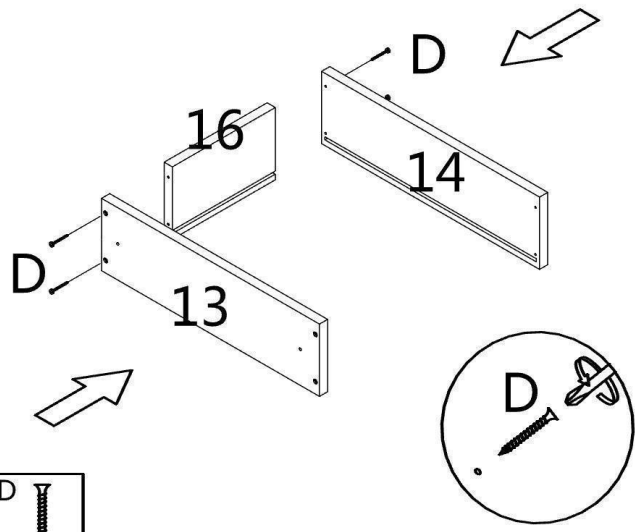
11



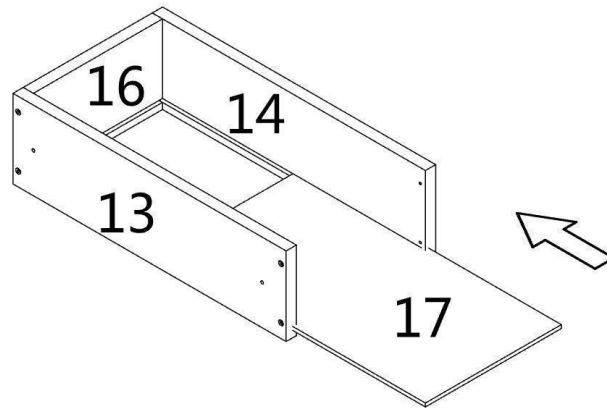
12



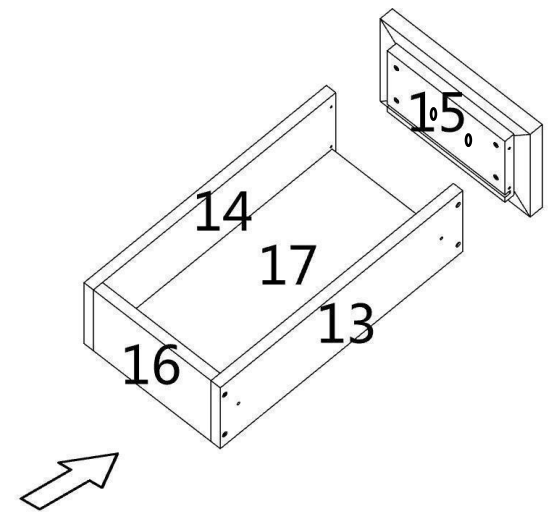
13



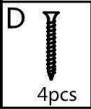
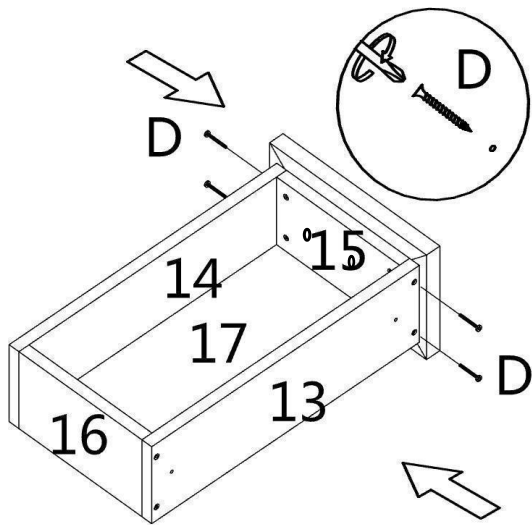
14



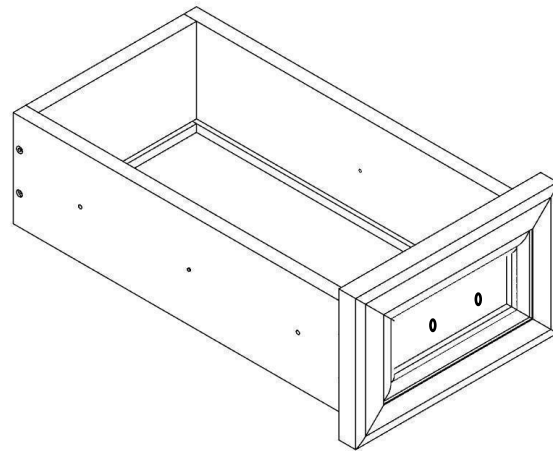
15



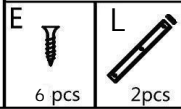
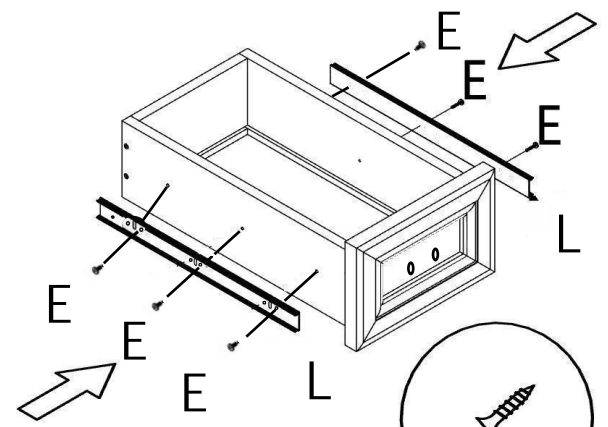
16



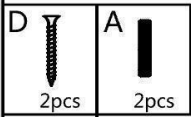
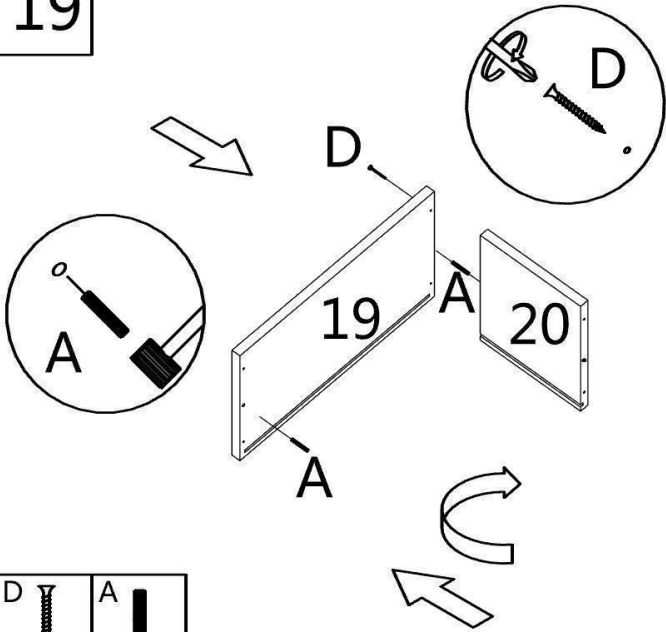
17



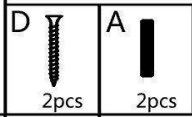
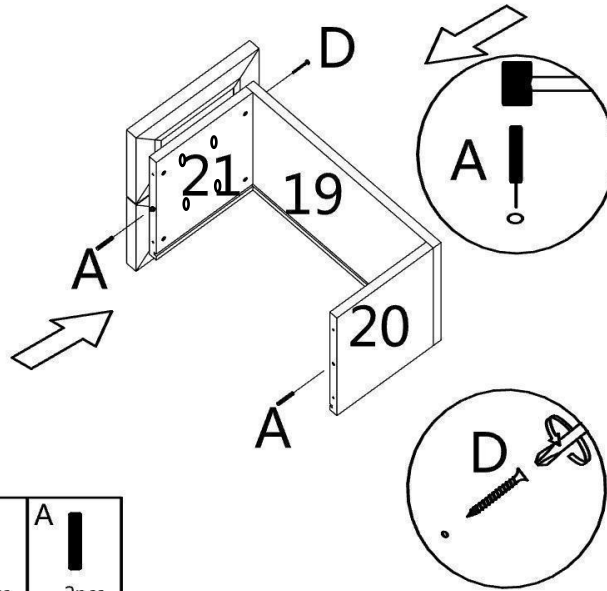
18



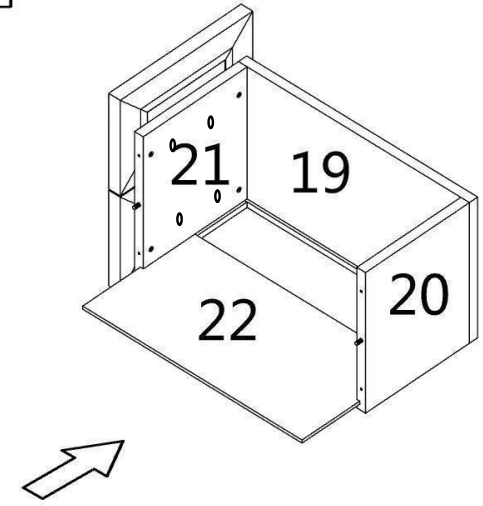
19



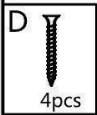
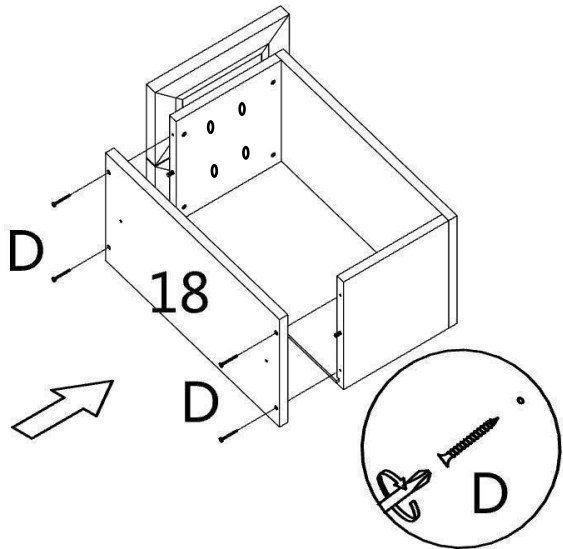
20



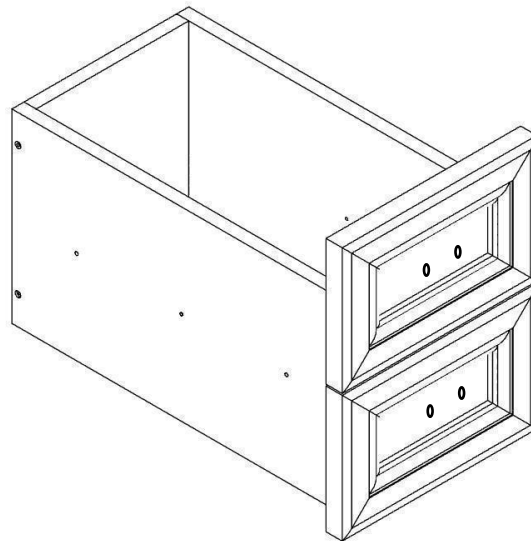
21



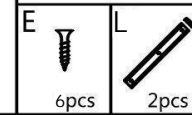
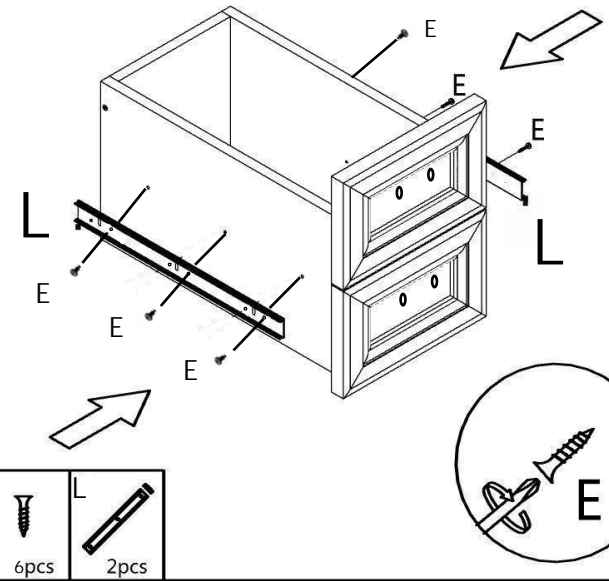
22



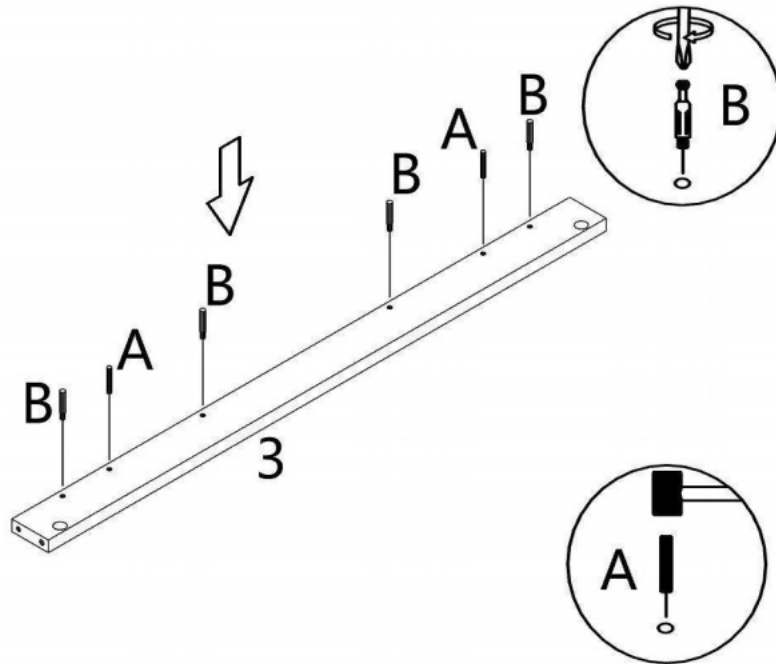
23



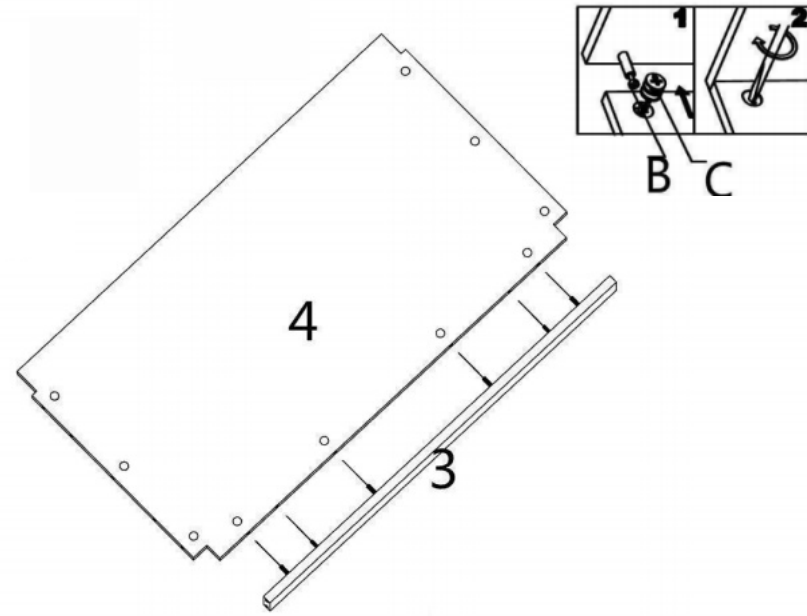
24



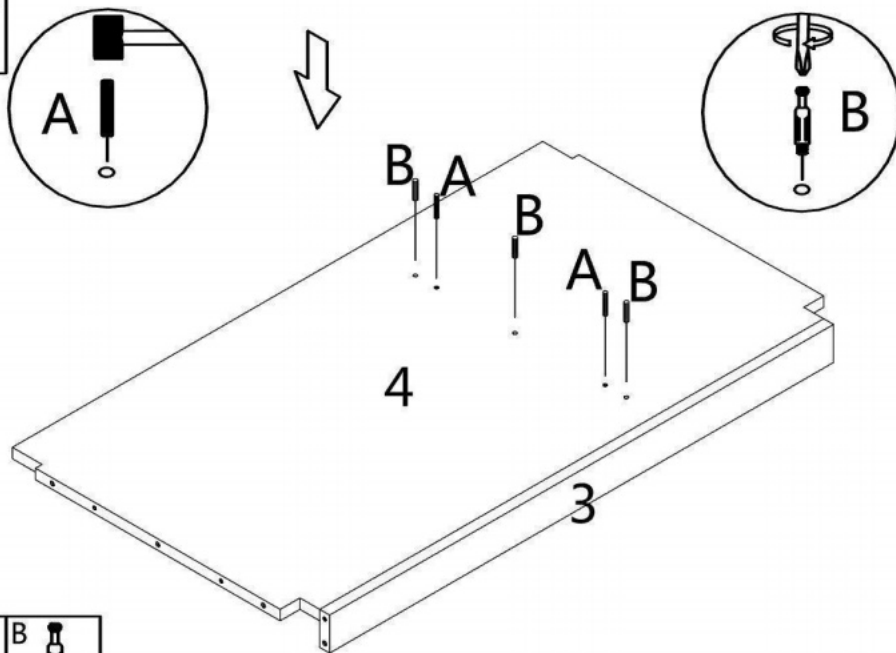
25



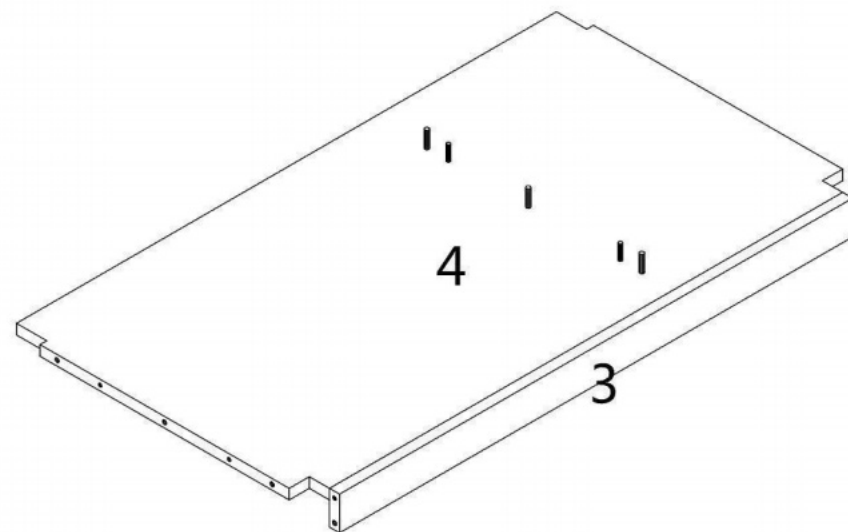
27



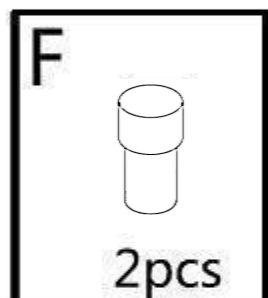
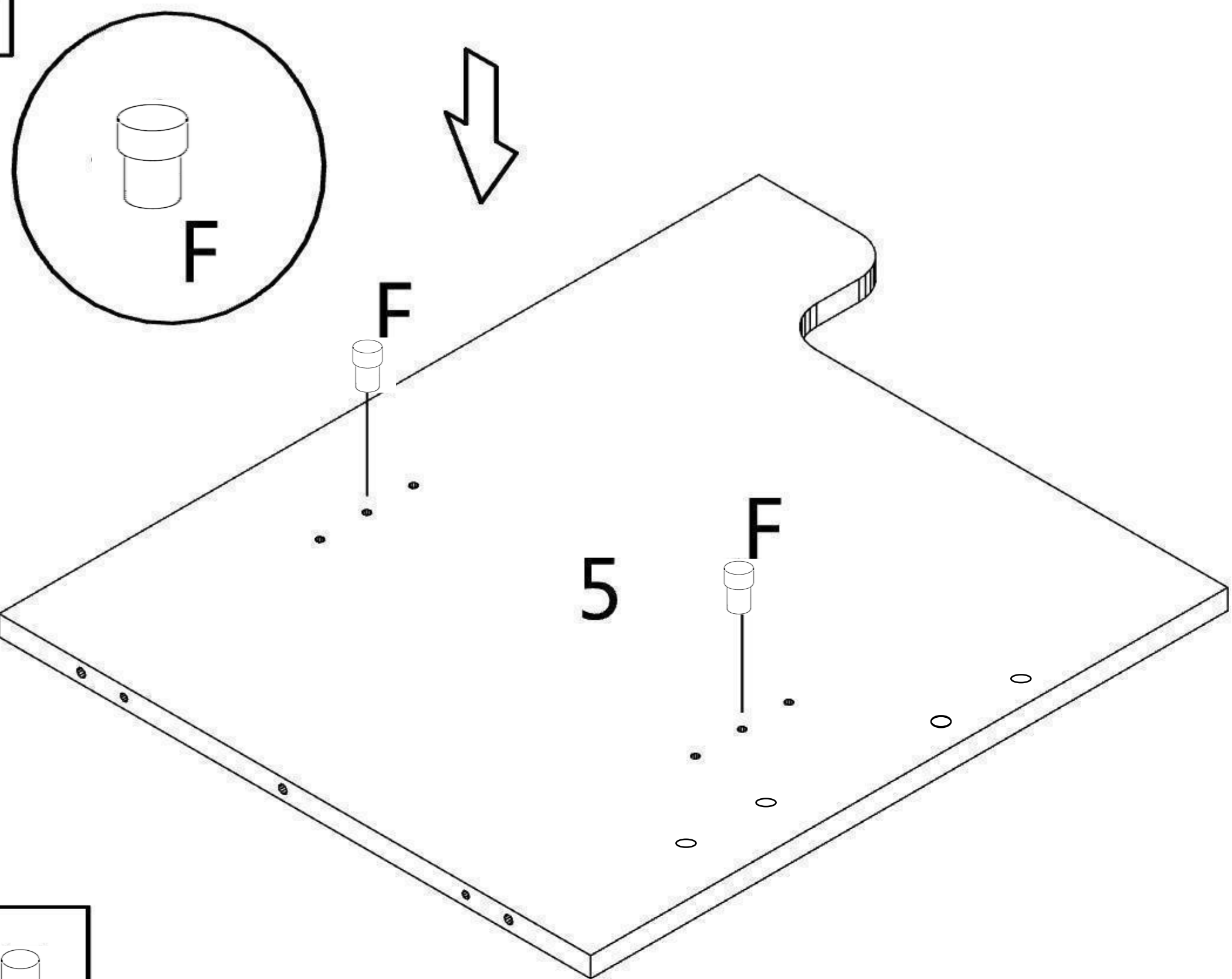
27



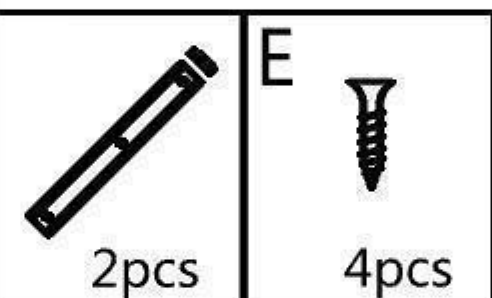
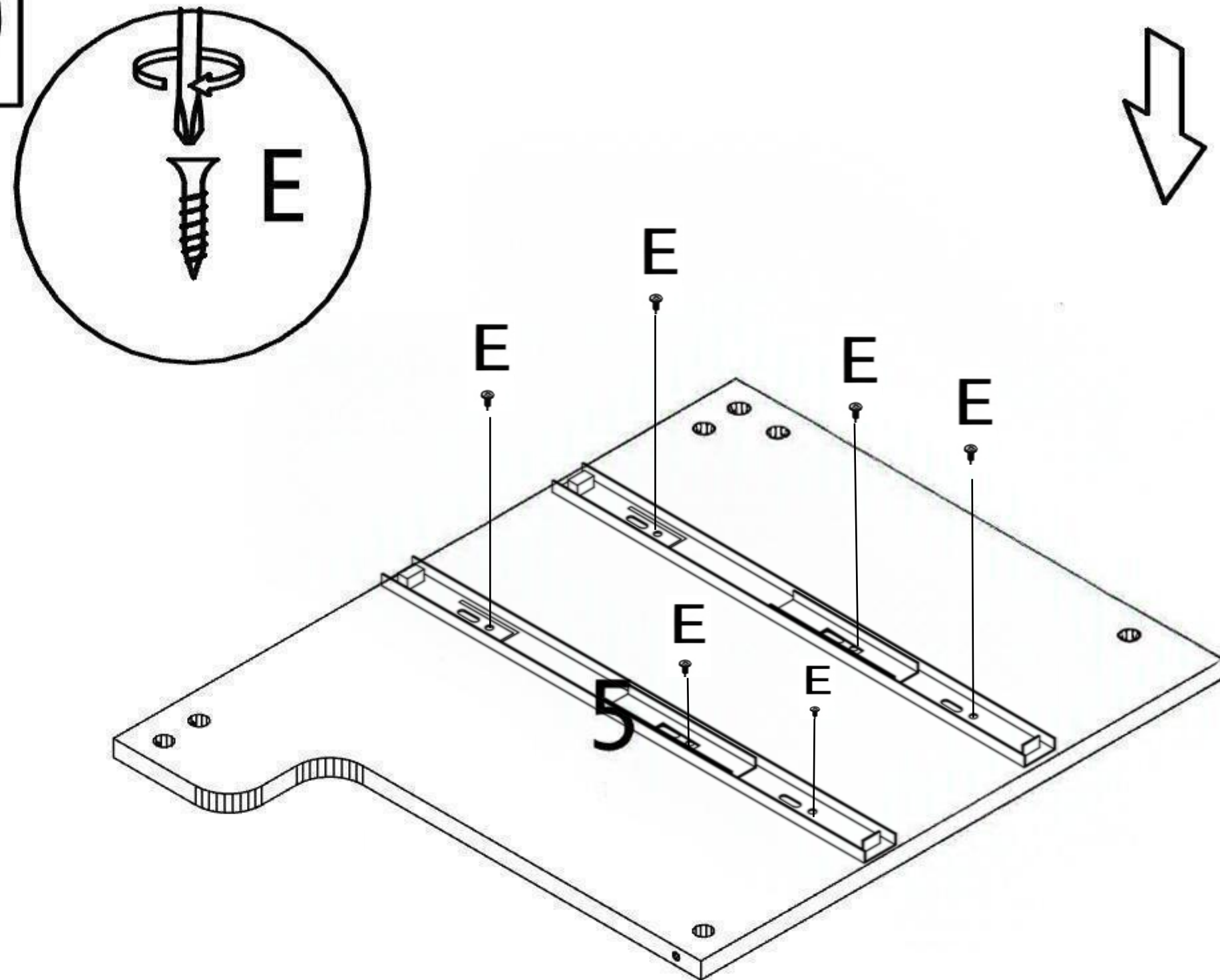
28



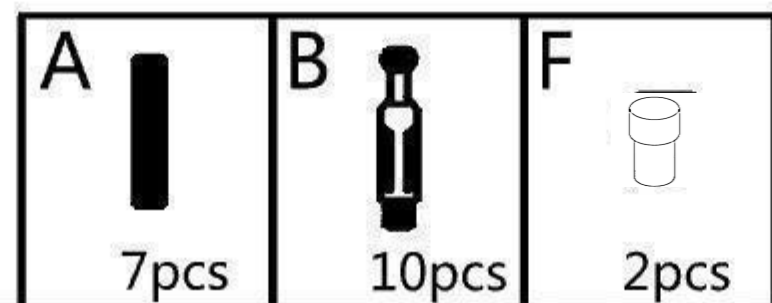
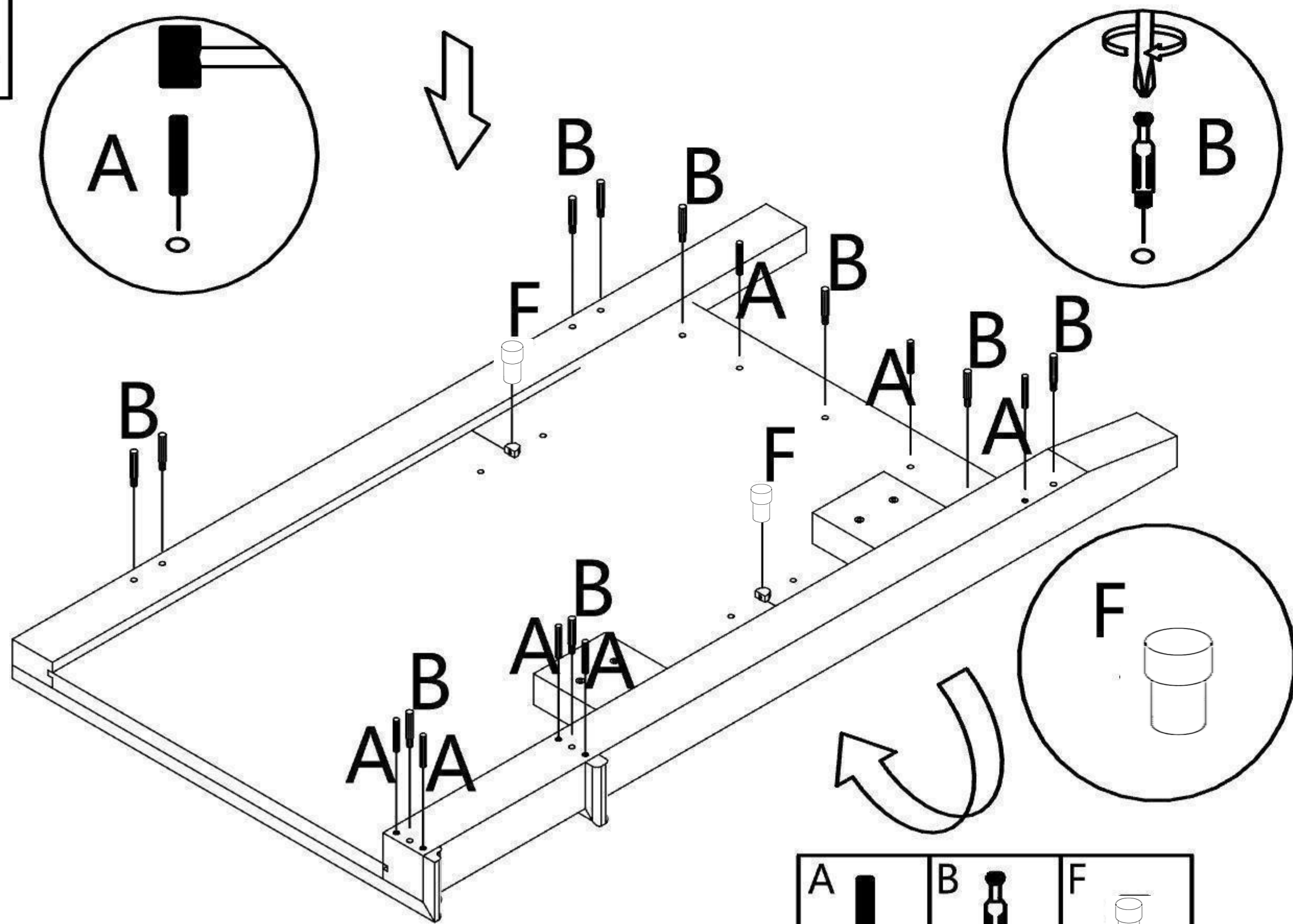
29



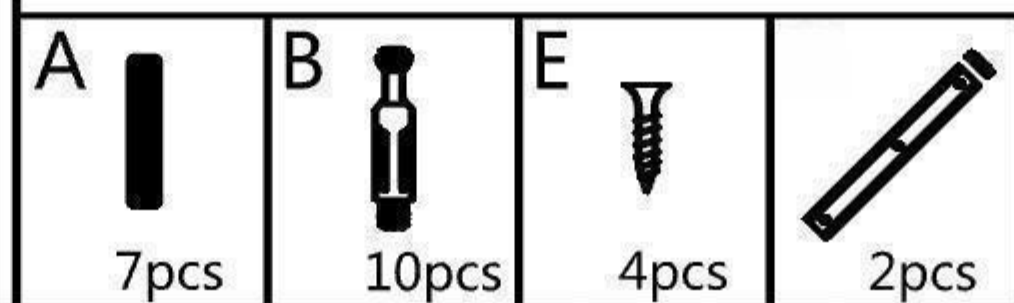
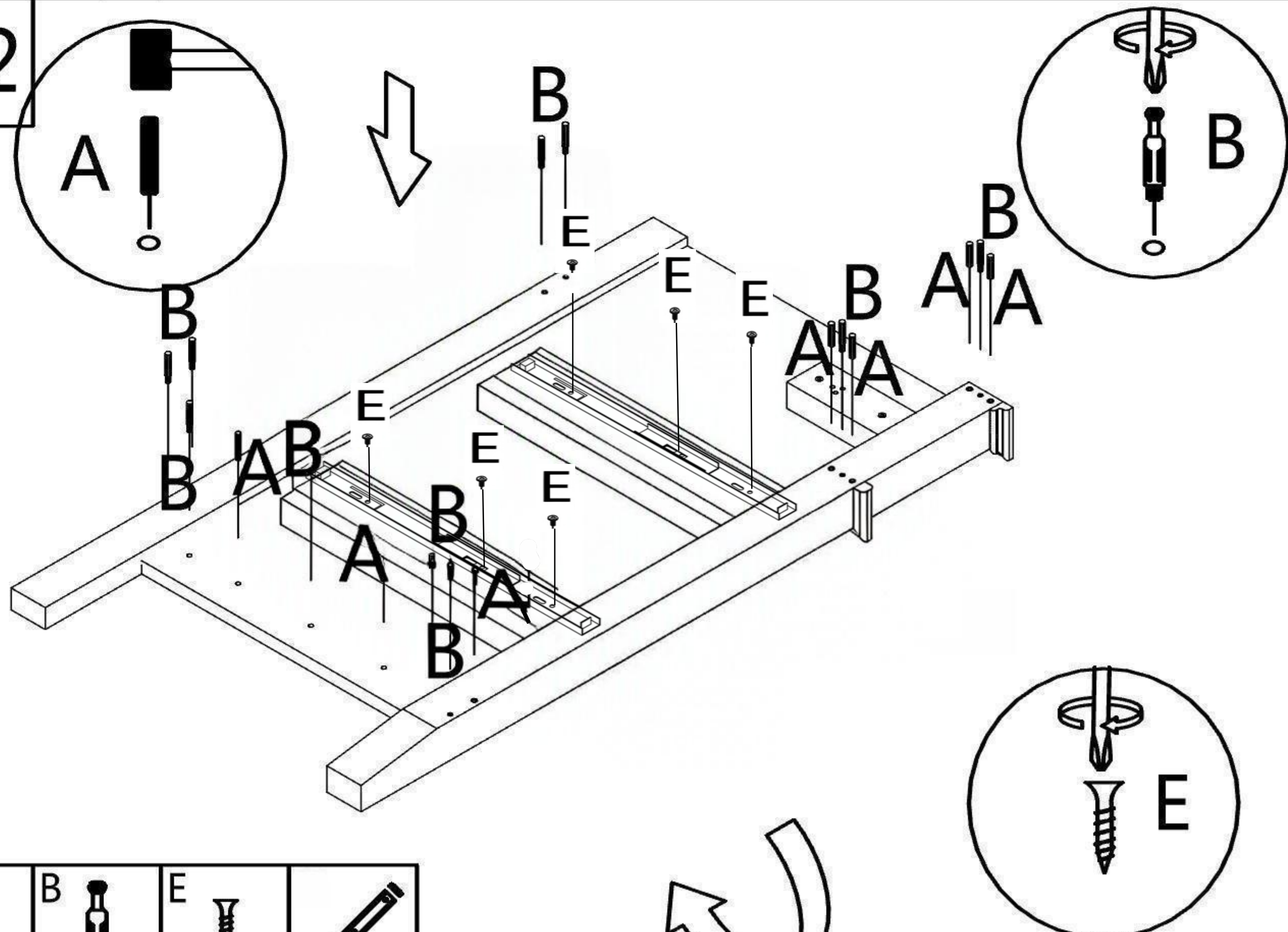
30



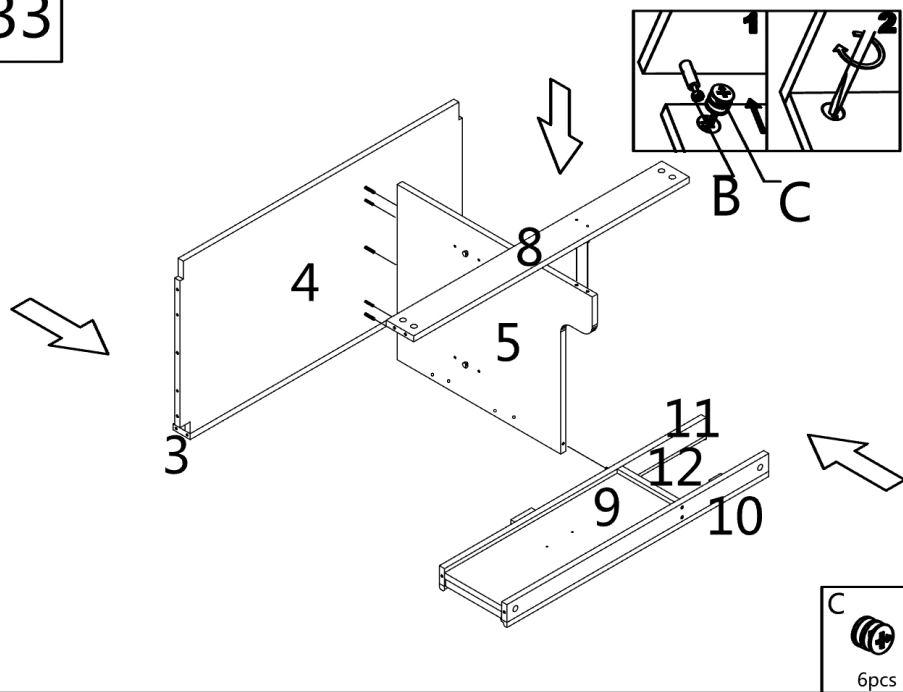
31



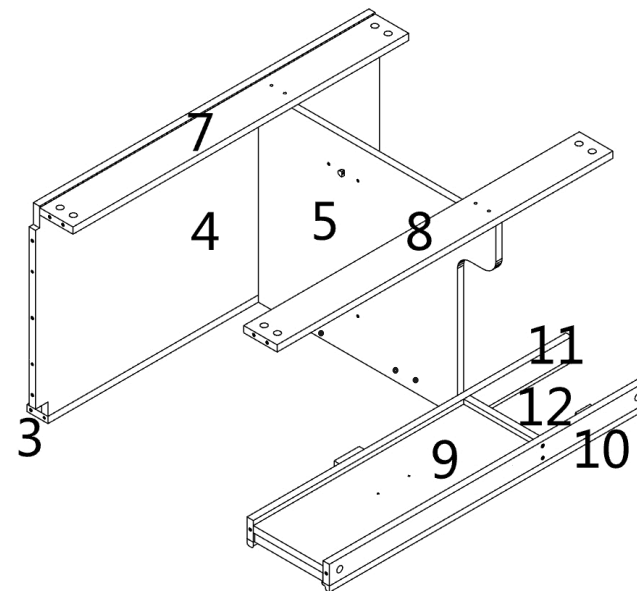
32



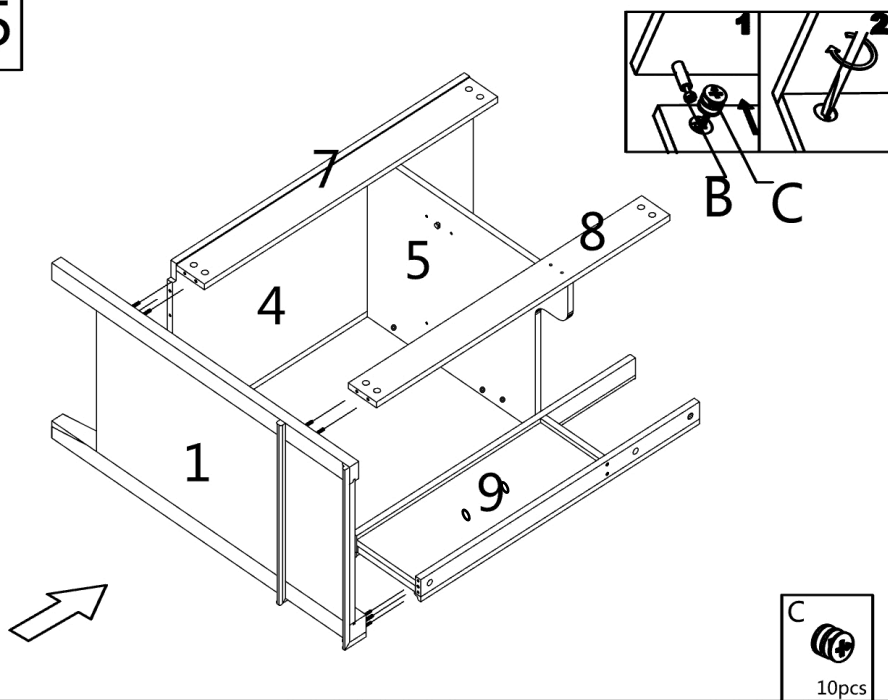
33



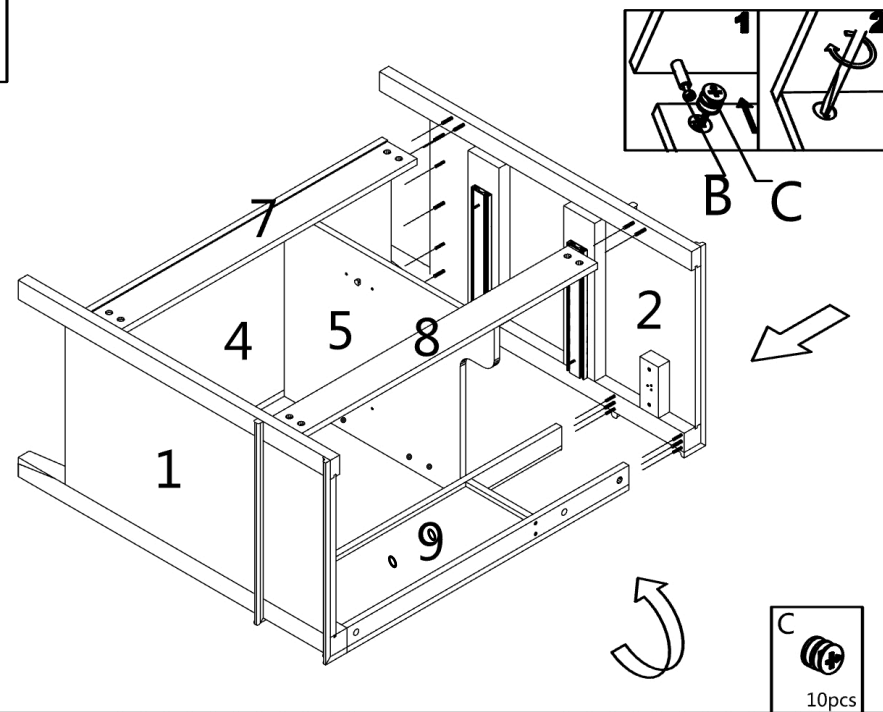
34



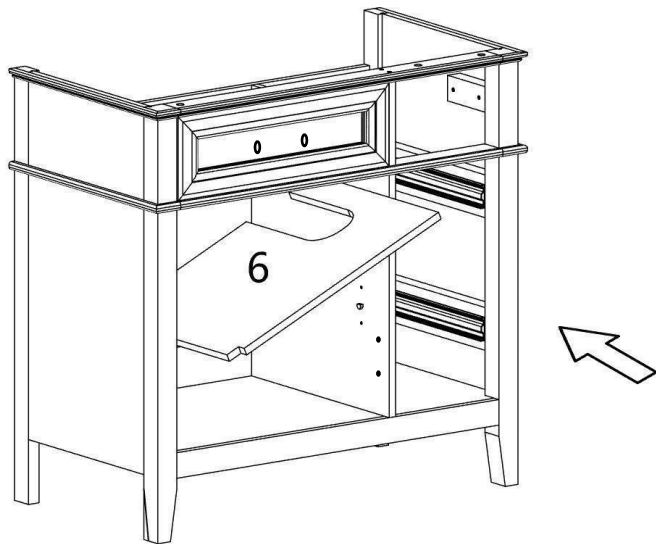
35



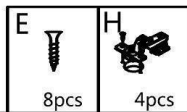
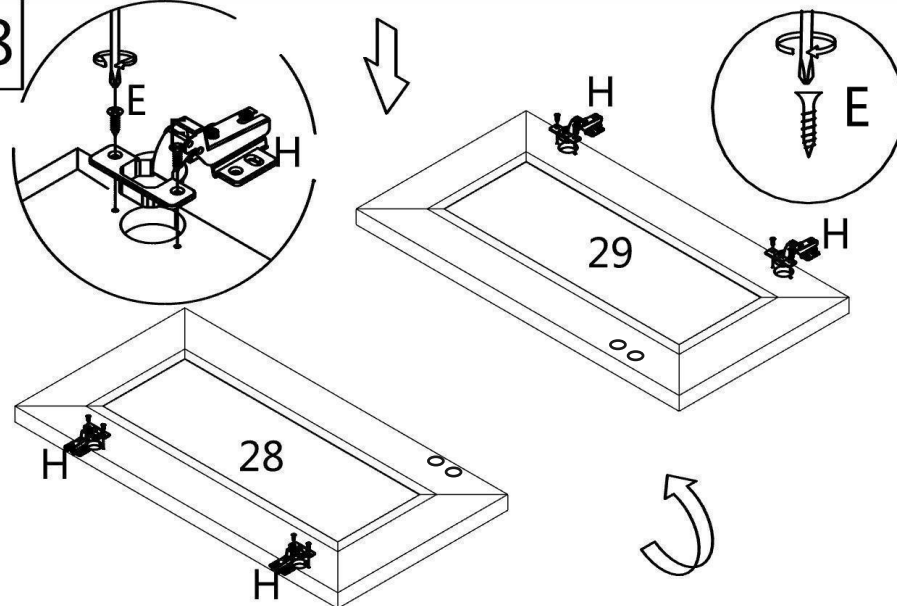
36



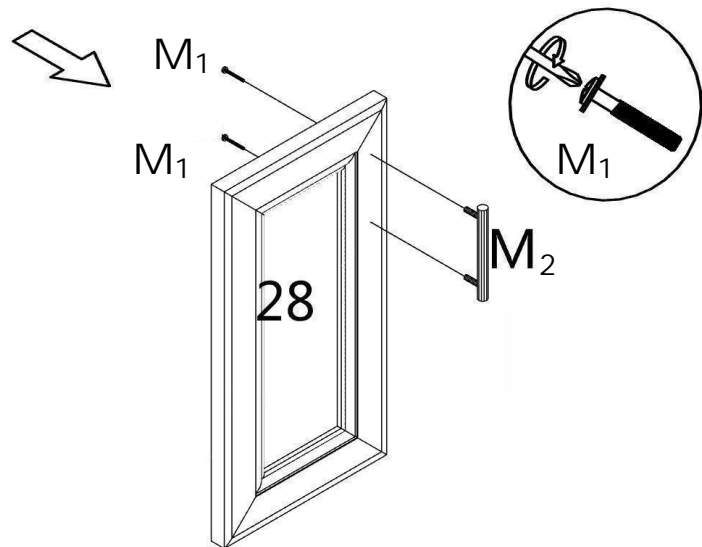
37



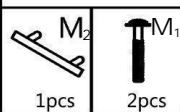
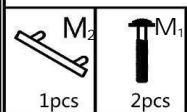
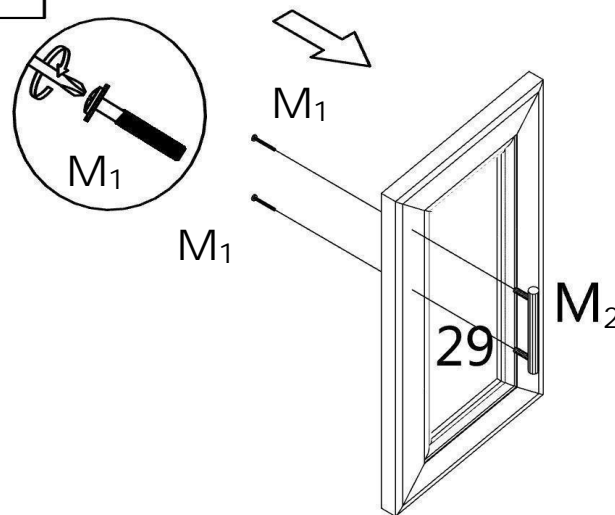
38



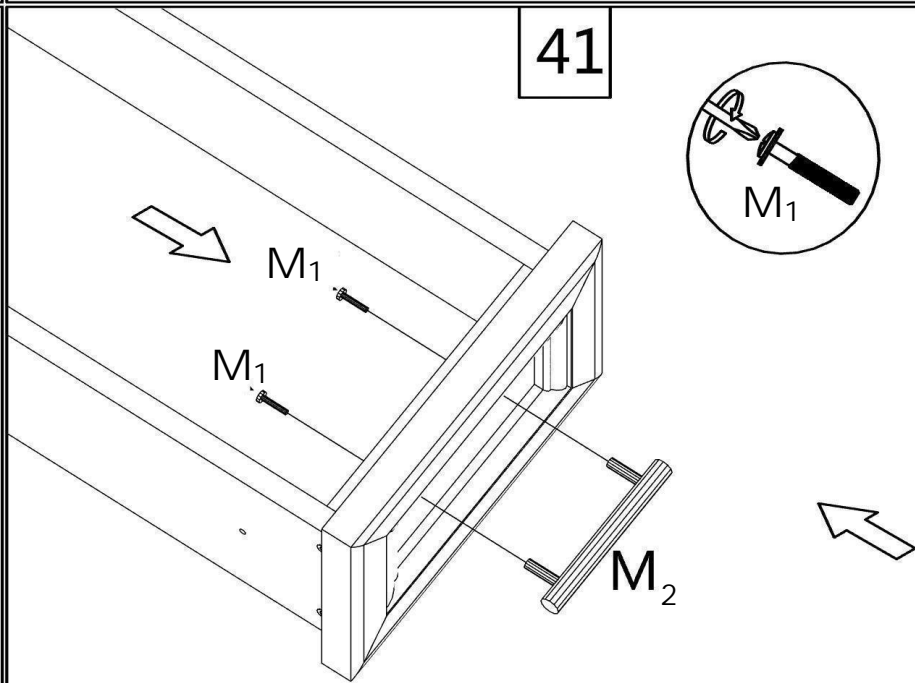
39



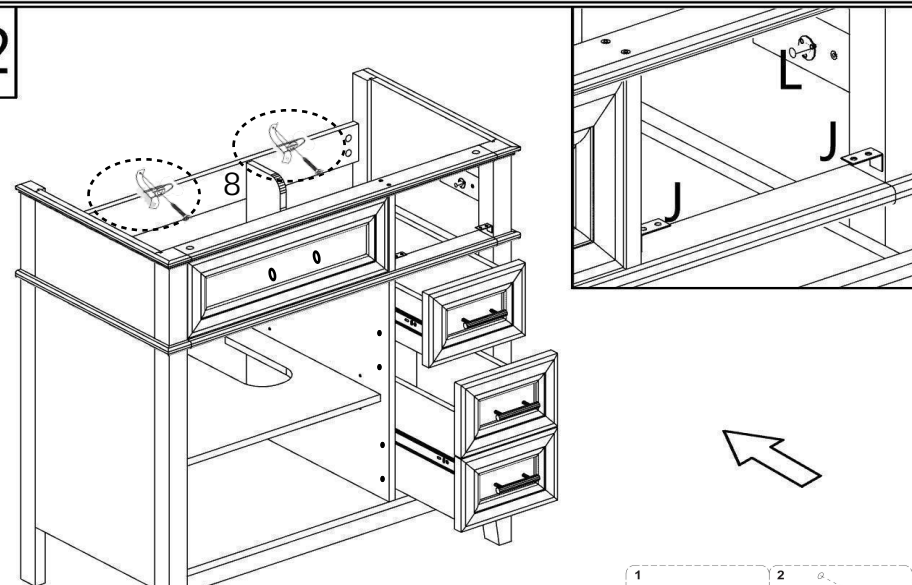
40



41



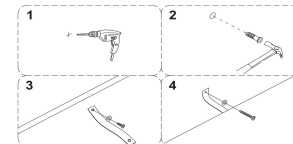
42



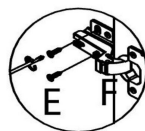
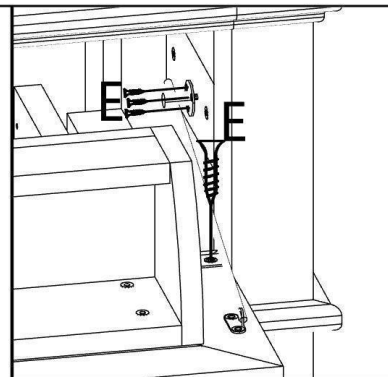
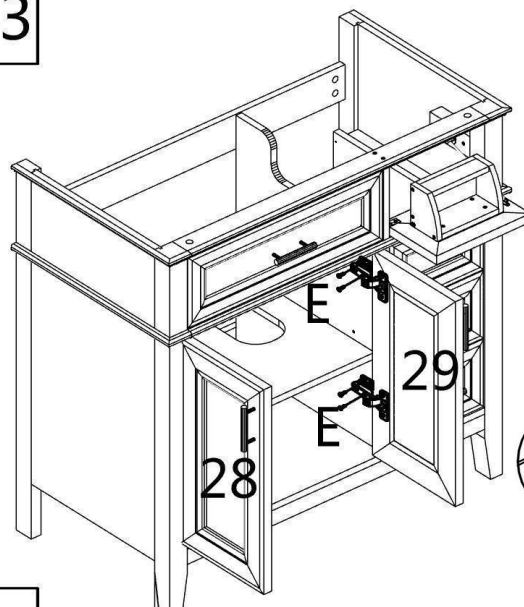
M₂
3pcs

M₁
6pcs

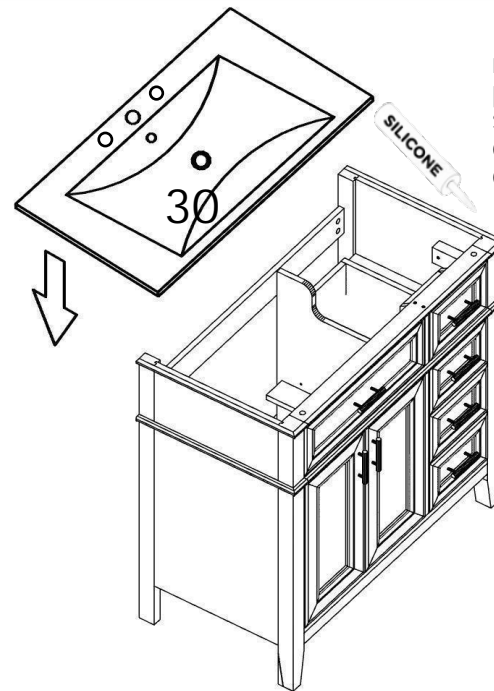
The anti-fall device is fixed to the wall at one end, and at the other end, it is securely attached to the appropriate position of component No. 8.



43



44



*Silicone glue is not included in the package to comply with safety regulations in certain shipping conditions.

E
15pcs

First, install the two screws on the ears side then adjust the height of the cabinet door. After that, install the two screws on the front side.

