

note:

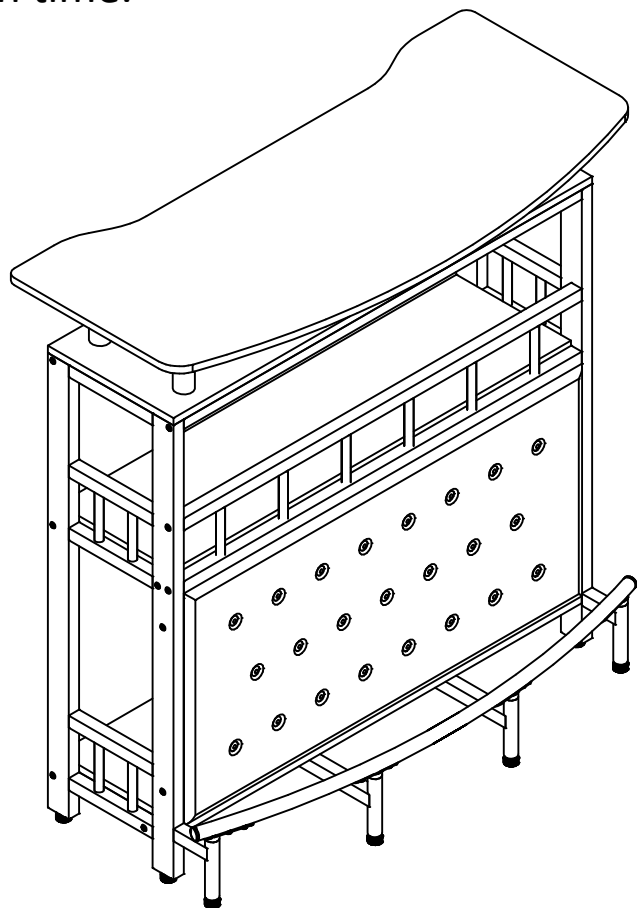
1. Please do not exceed the rated load, otherwise it will cause damage or personal injury to the product..
2. Be sure to follow the instructions in the manual. Improper installation may result in damage to the product or personal injury.
3. Please use our tools and accessories to install, otherwise it will cause damage to the product.
4. Make sure that the support surface can safely support the weight of the support equipment and all accessories.
5. This product contains small parts that can cause serious personal injury if swallowed. Keep out of reach of children.
6. This product is for indoor use only. Outdoors can cause damage to the product.

important:

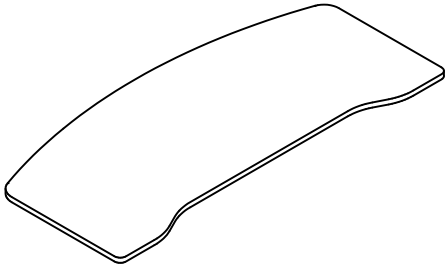
Make sure you have received all the parts based on the list provided before installation. If any parts are missing or damaged, please contact your supplier.

maintain:

Please check the workbench at regular intervals (at least every three months) to see if the workbench is stable and there are any screws that fall off due to long-term use. If there is a safety hazard, please replace the accessories or harden the installation in time.



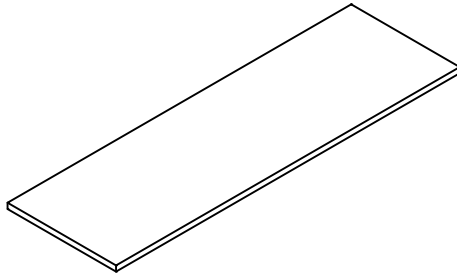
1



1100X500X15

X1

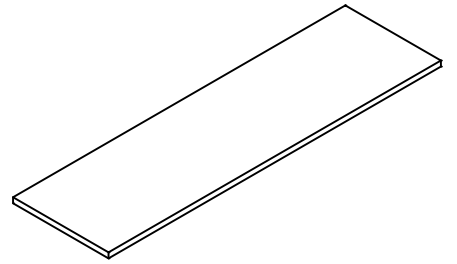
2



950X300X15

X1

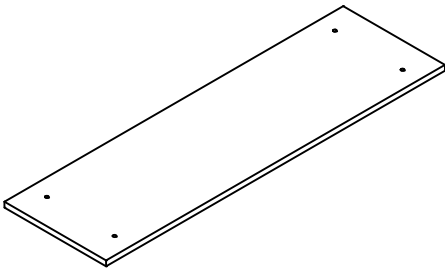
3



950X273X15

X1

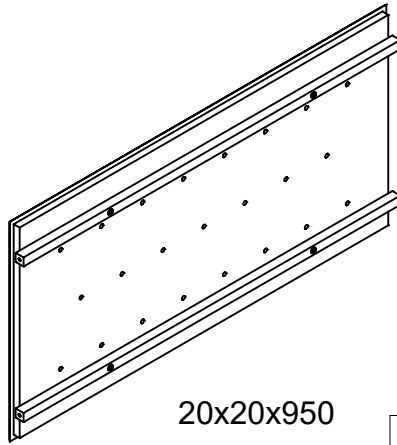
4



1000X300X15

X1

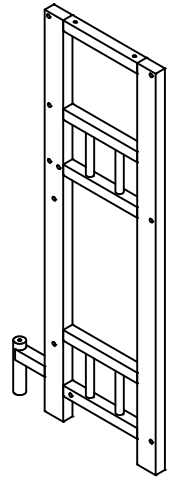
5



20x20x950

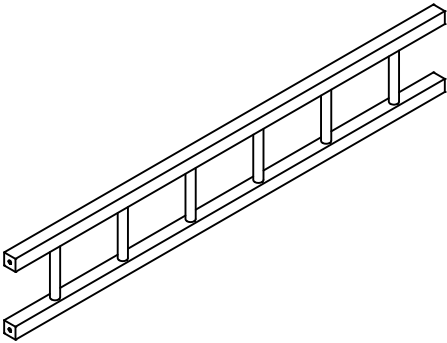
X1

6



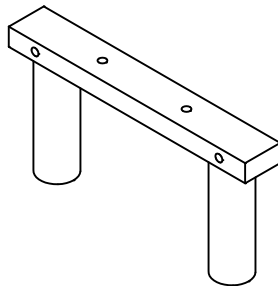
X2

7



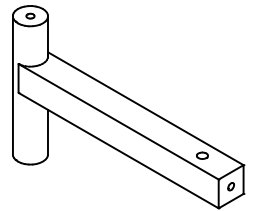
X1

8



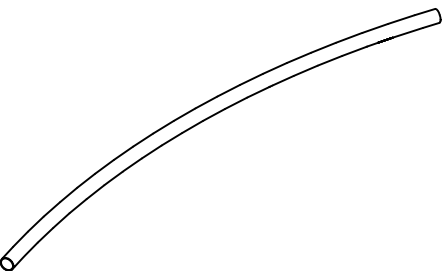
X2

9



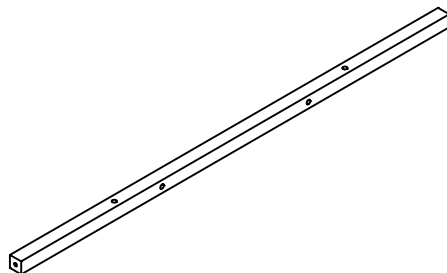
X2

10



X1

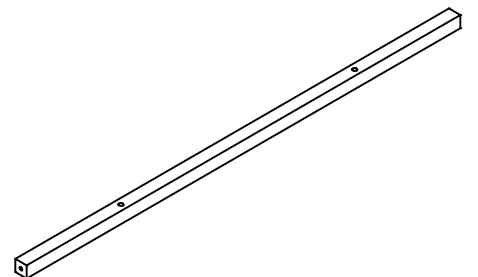
11



25X25X950

X1

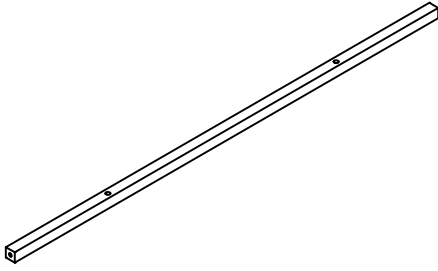
12



25X25X950

X1

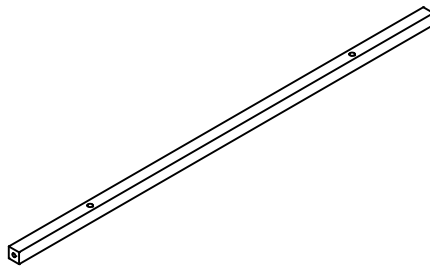
13



20x20x950

X4

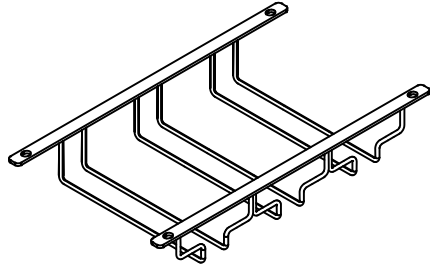
14



20x20x810

X2

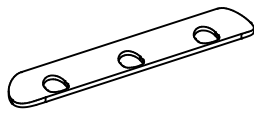
15



355x200

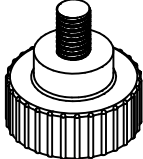
X1

16



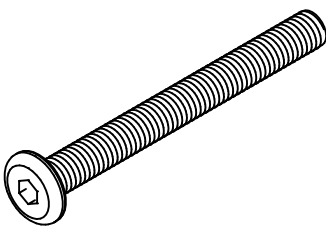
X4

18




M8

X8



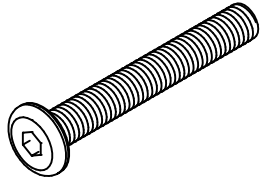
X4

17

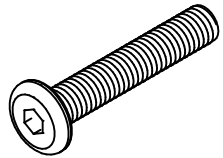


X4

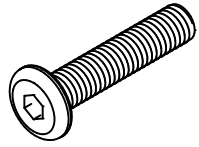
serial number	model number
A	M6X60



X22



X14

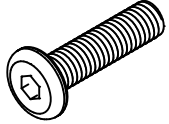


X16


serial number	model number
B	M6X45

serial number	model number
C	M6X35

serial number	model number
D	M6X30



X4

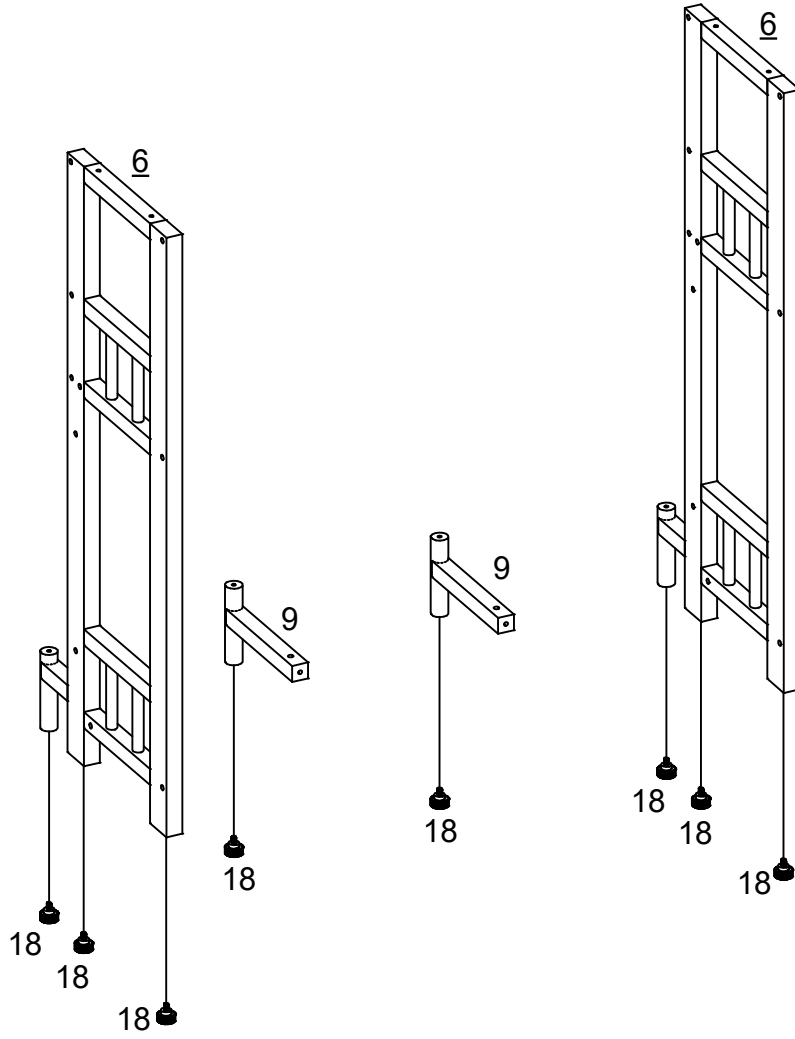


X12

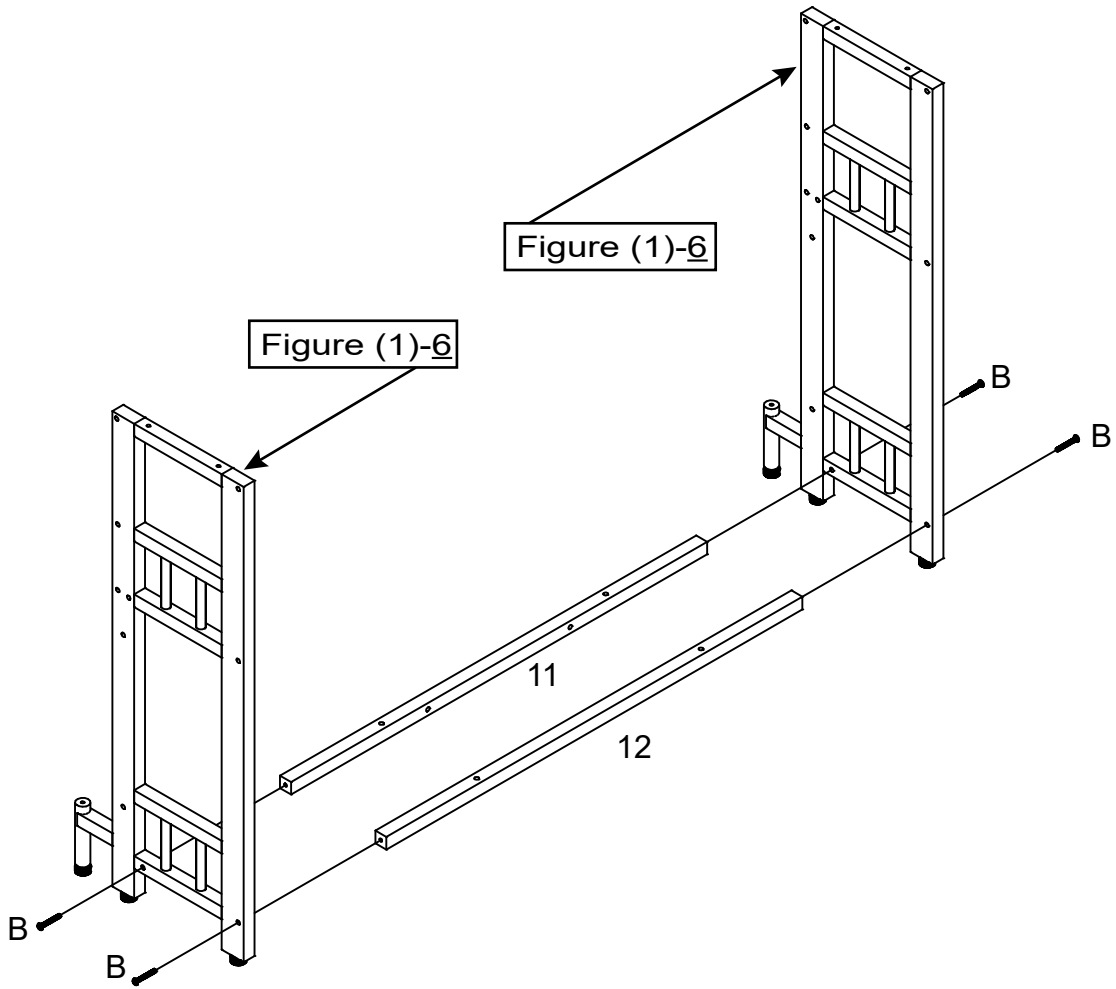
serial number	model number
E	M6X25

serial number	model number
F	M6X12

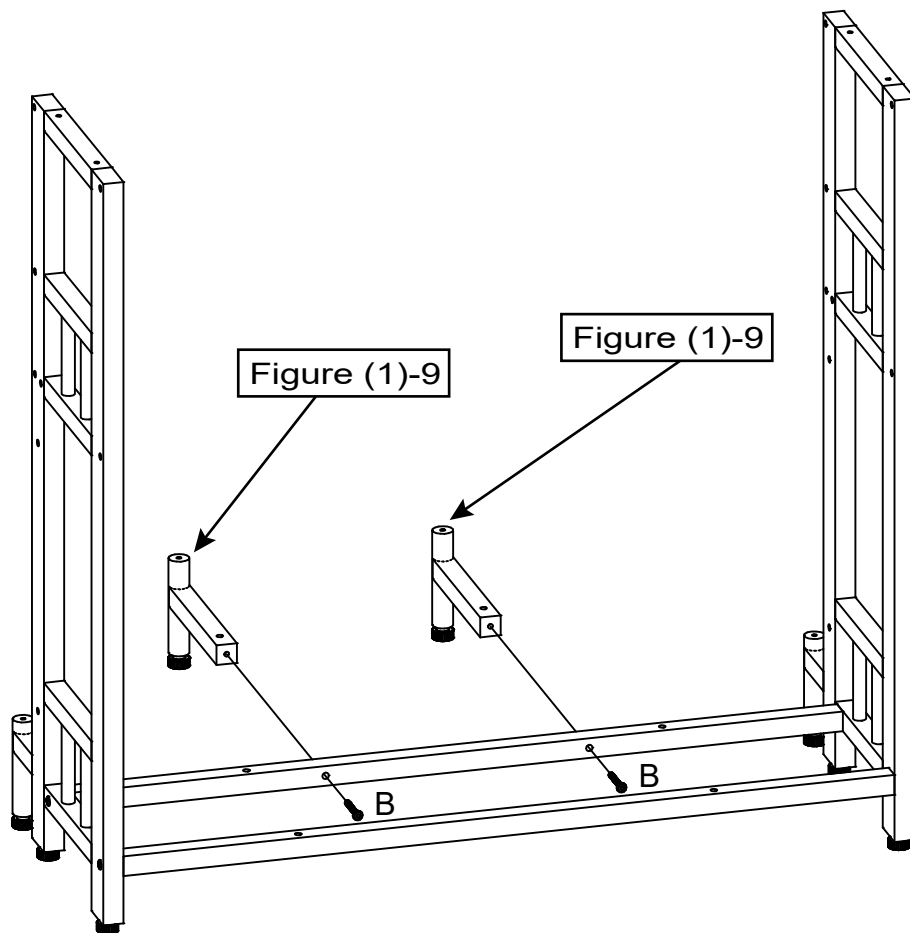
(1)



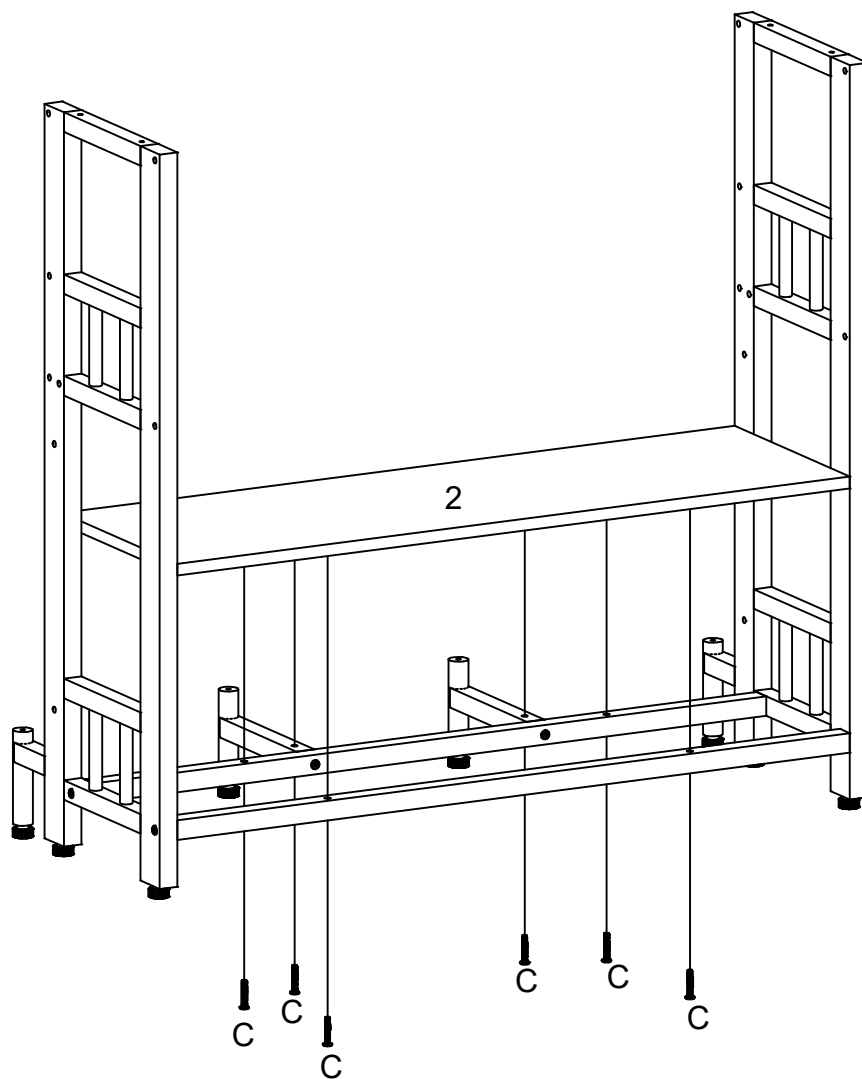
(2)



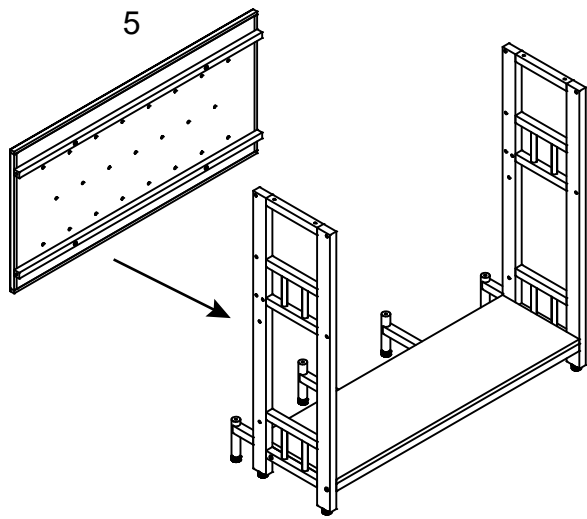
(3)



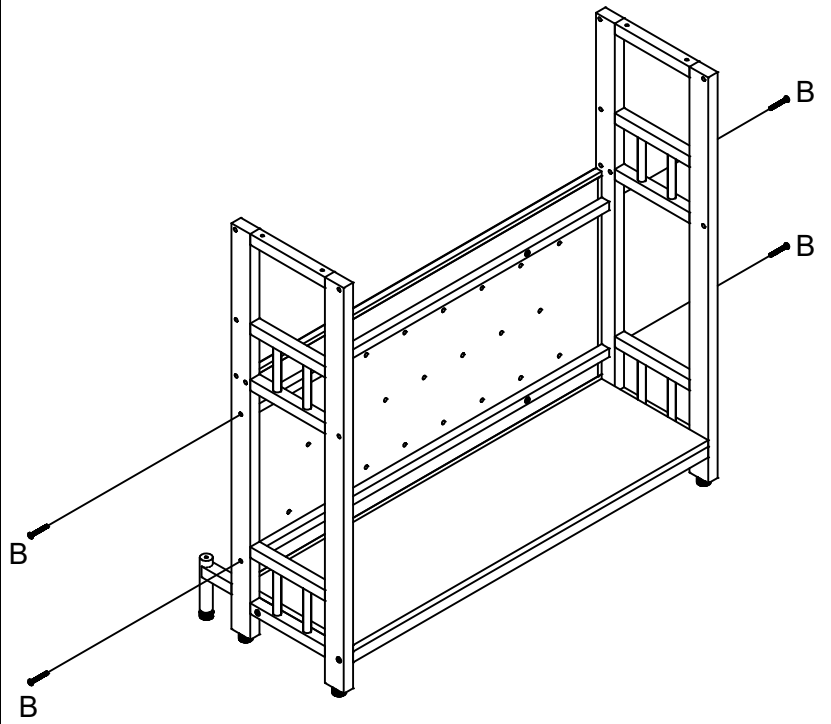
(4)



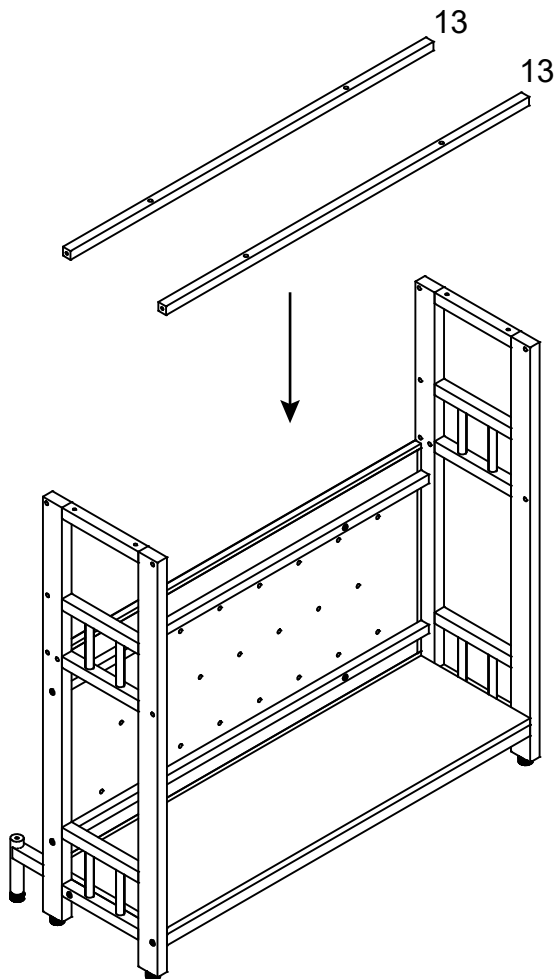
(5)



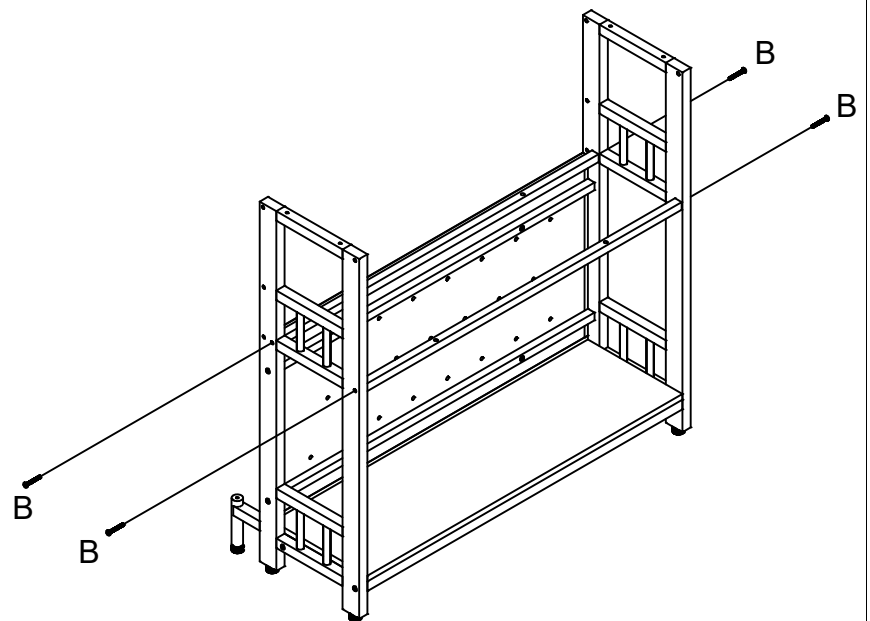
(6)



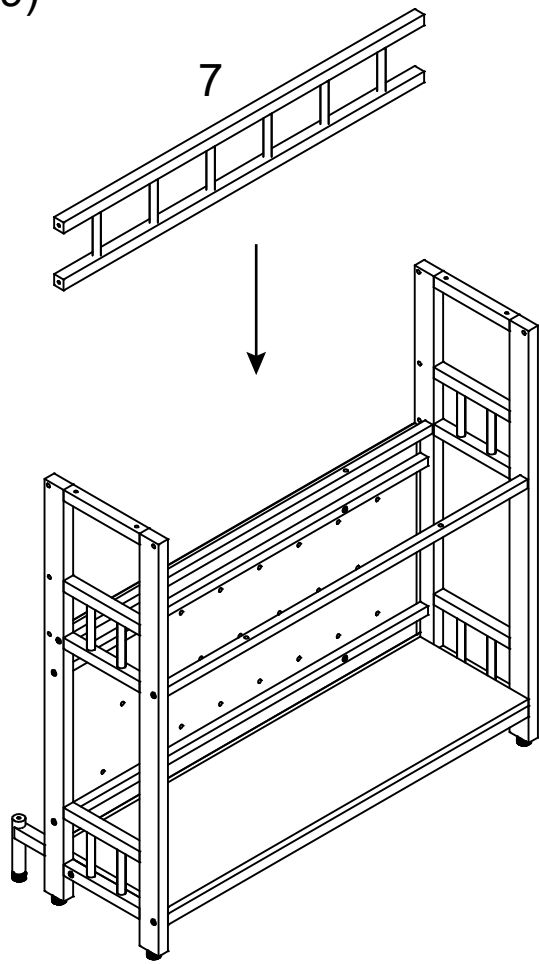
(7)



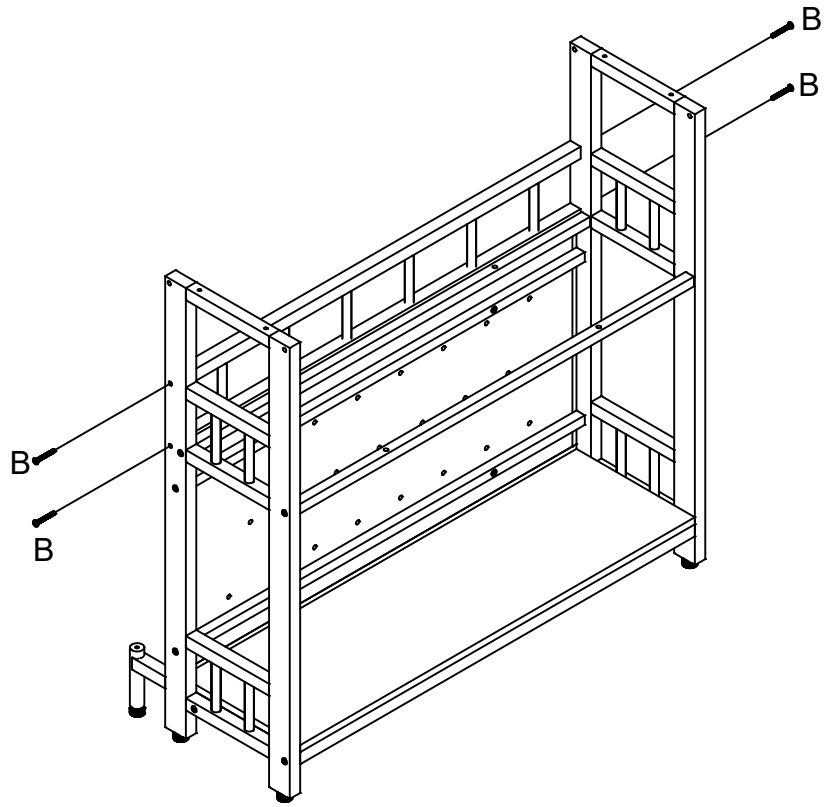
(8)



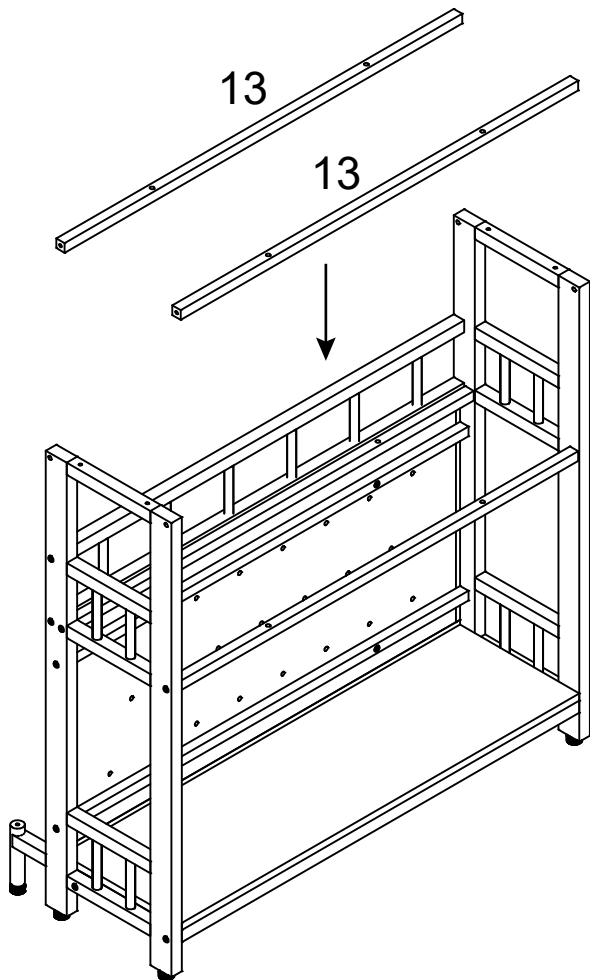
(9)



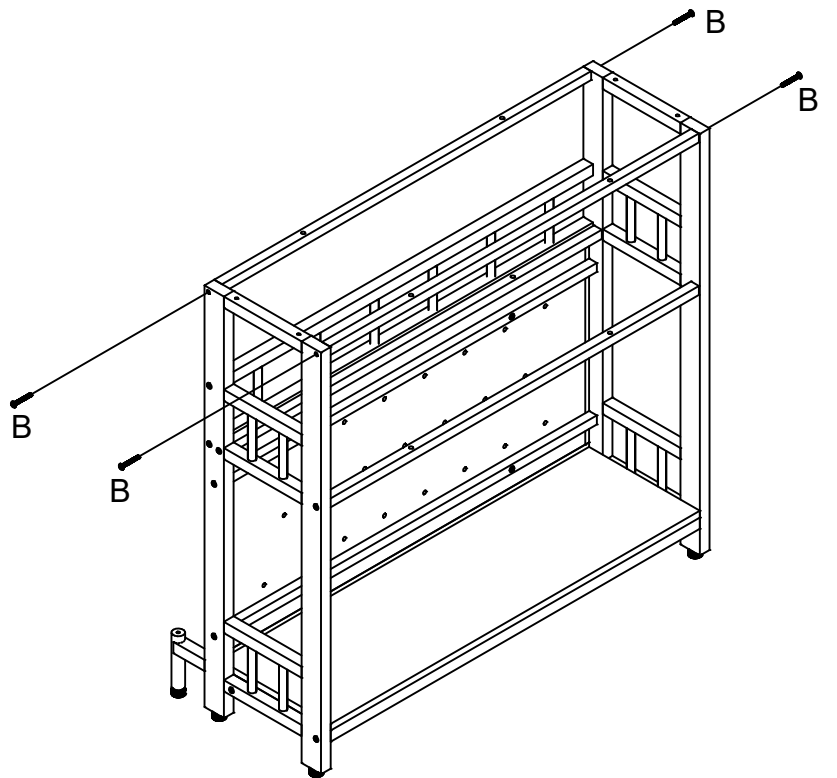
(10)



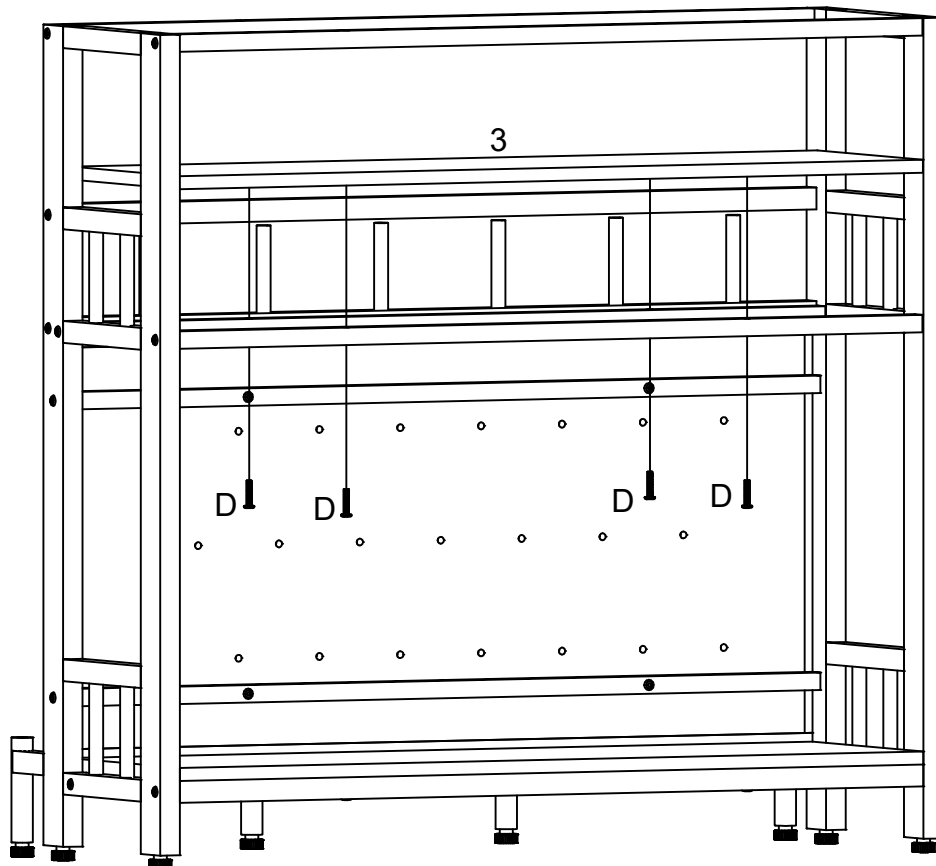
(11)



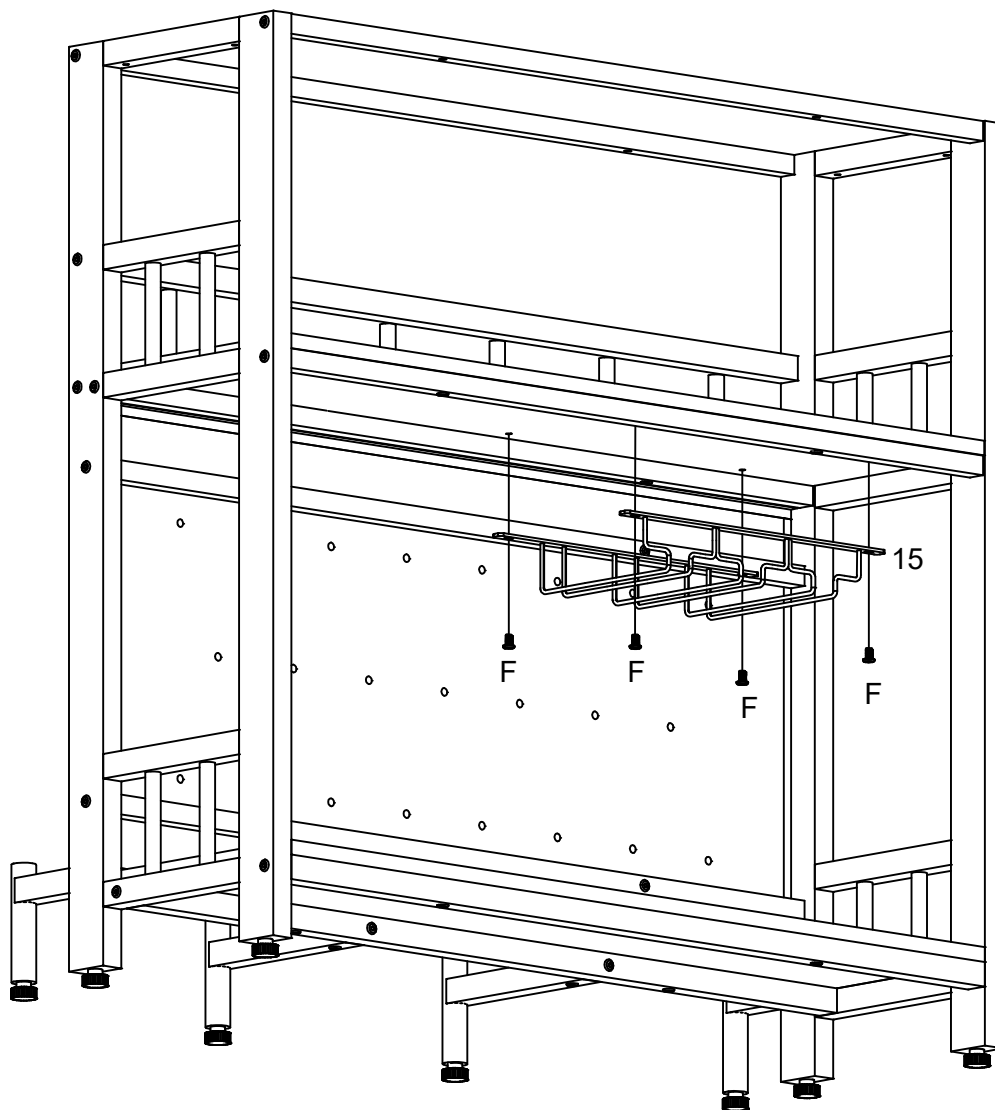
(12)



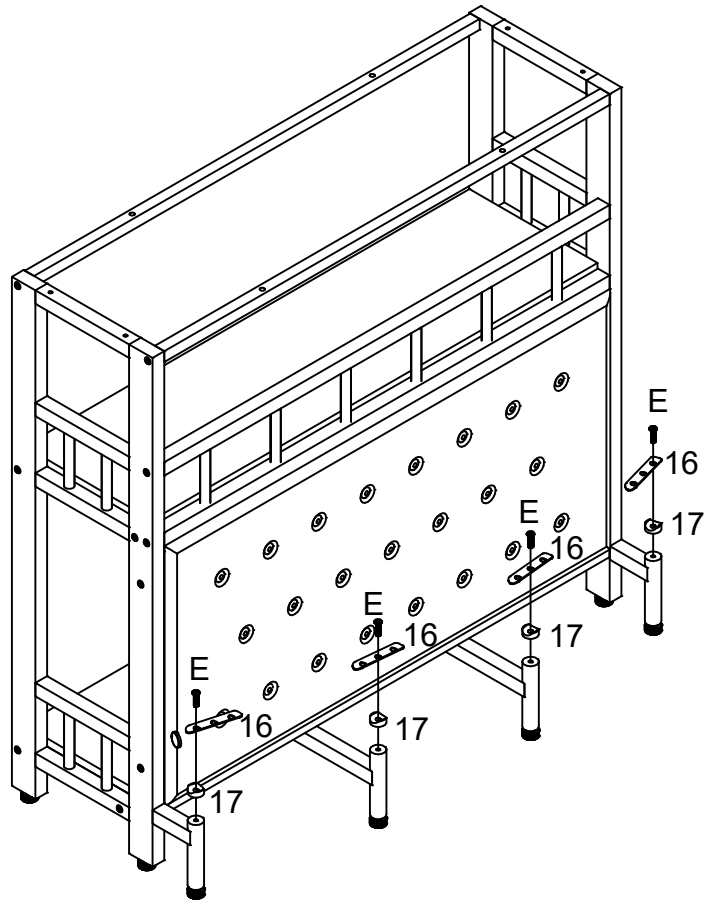
(13)



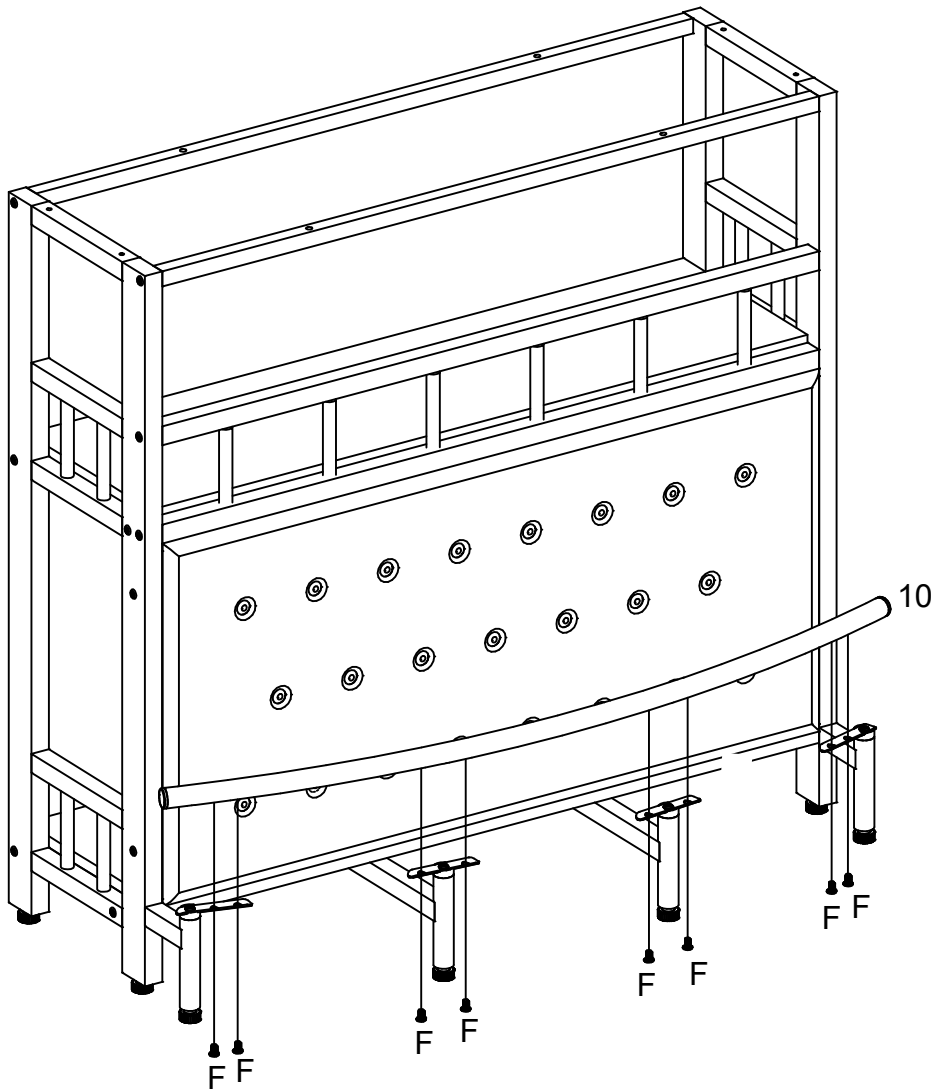
(14)



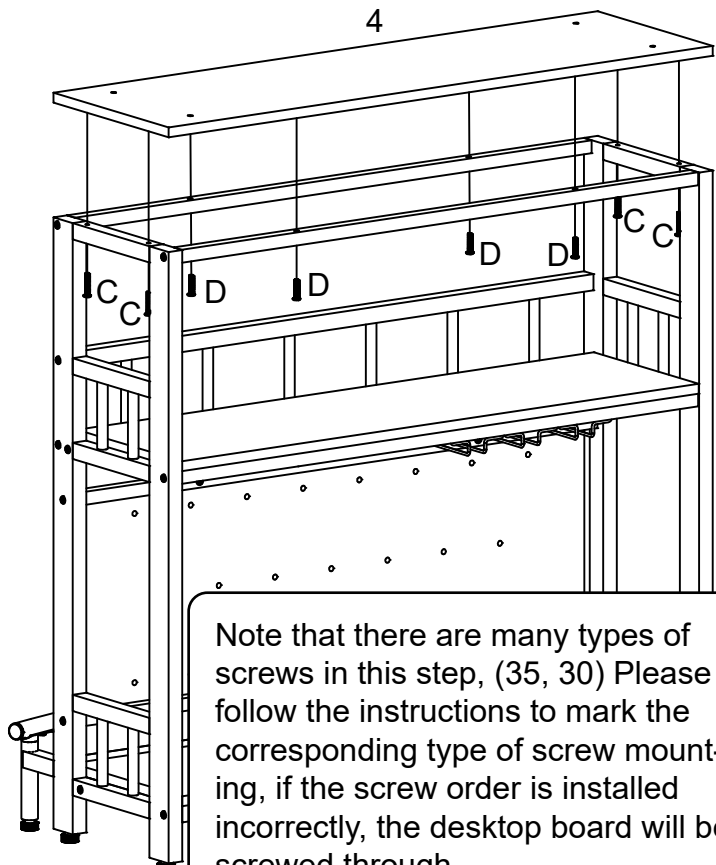
(15)



(16)

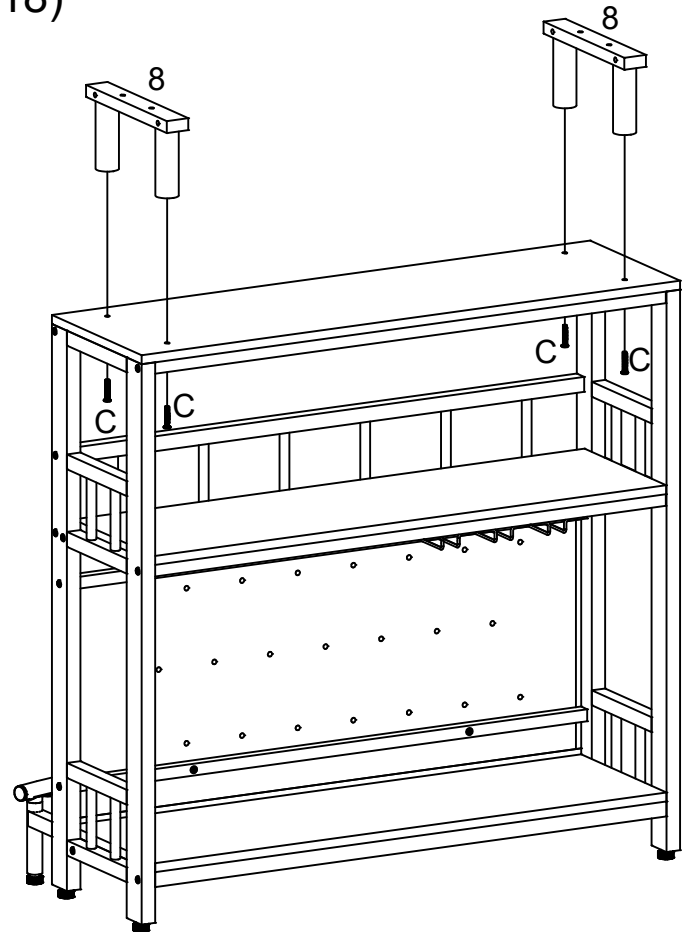


(17)

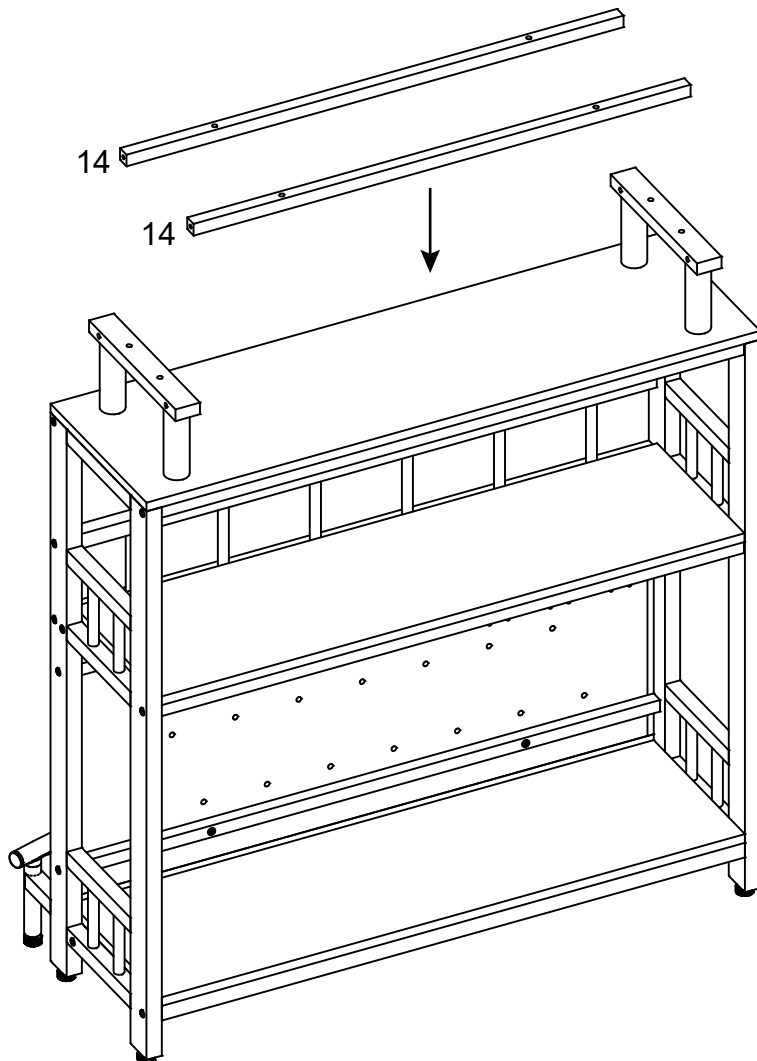


Note that there are many types of screws in this step, (35, 30) Please follow the instructions to mark the corresponding type of screw mounting, if the screw order is installed incorrectly, the desktop board will be screwed through

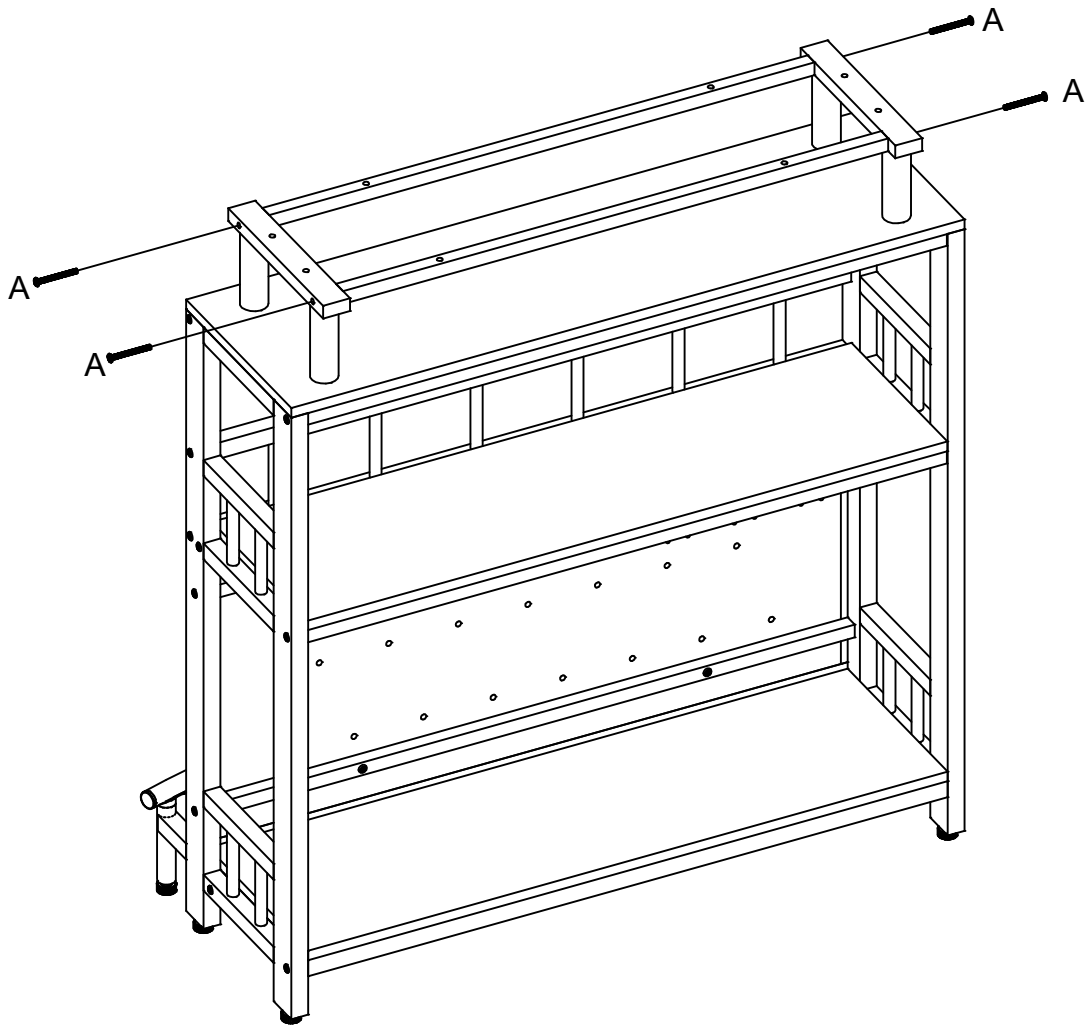
(18)



(19)



(20)



(21)

