

# *ASSEMBLY INSTRUCTIONS*



# ASSEMBLY INSTRUCTIONS

## ASSEMBLY TIPS:

1. Remove hardware from box and sort by size.
2. Please check to see that all hardware and parts are present prior to start of assembly.
3. Please follow attached instructions in the same sequence as numbered to assure fast & easy assembly.



### WARNING!

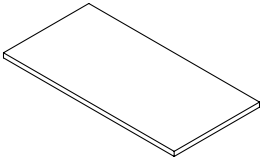
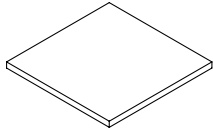
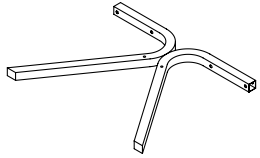
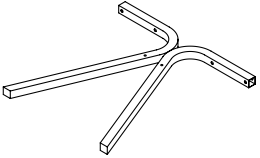
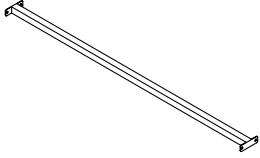
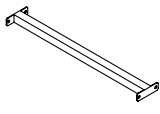
1. Don't attempt to repair or modify parts that are broken or defective. Please contact the store immediately.
2. This product is for home use only and not intended for commercial establishments.






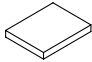

ASSEMBLY TIME

40 MINUTES

## PARTS IDENTIFICATION

A	LARGE TABLE TOP		1 PC	D	SMALL TABLE TOP		2 PCS
B	LARGE TABLE LEG FRAME		2 PCS	E	SMALL TABLE LEG FRAME		4 PCS
C	LARGE TABLE CROSSBAR		1 PC	F	SMALL TABLE CROSSBAR		2 PCS

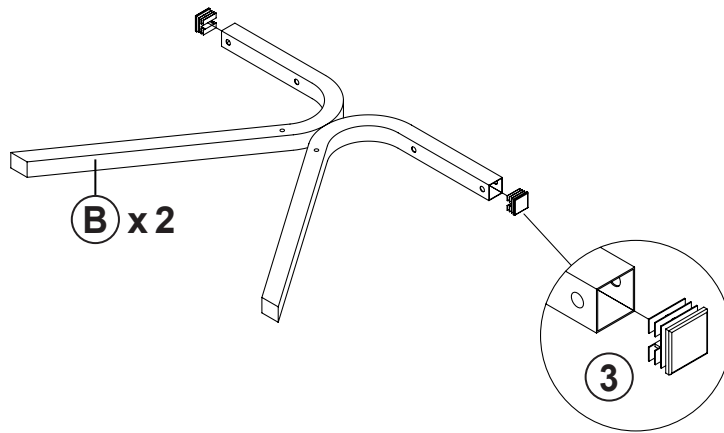
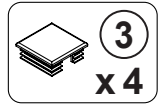
## HARDWARE IDENTIFICATION

Z							
NO	DESCRIPTION	FIGURE	Q'TY	NO	DESCRIPTION	FIGURE	Q'TY
1	BOLT Ø7x50mm BLK		24 PCS	4	ALLEN WRENCH 4mm SR		1 PC
2	BOLT M6x15mm BLK		12 PCS	5	PAD 25x20x3mm		12 PCS
3	FLOOR PROTECTOR 25x25mm		12 PCS				

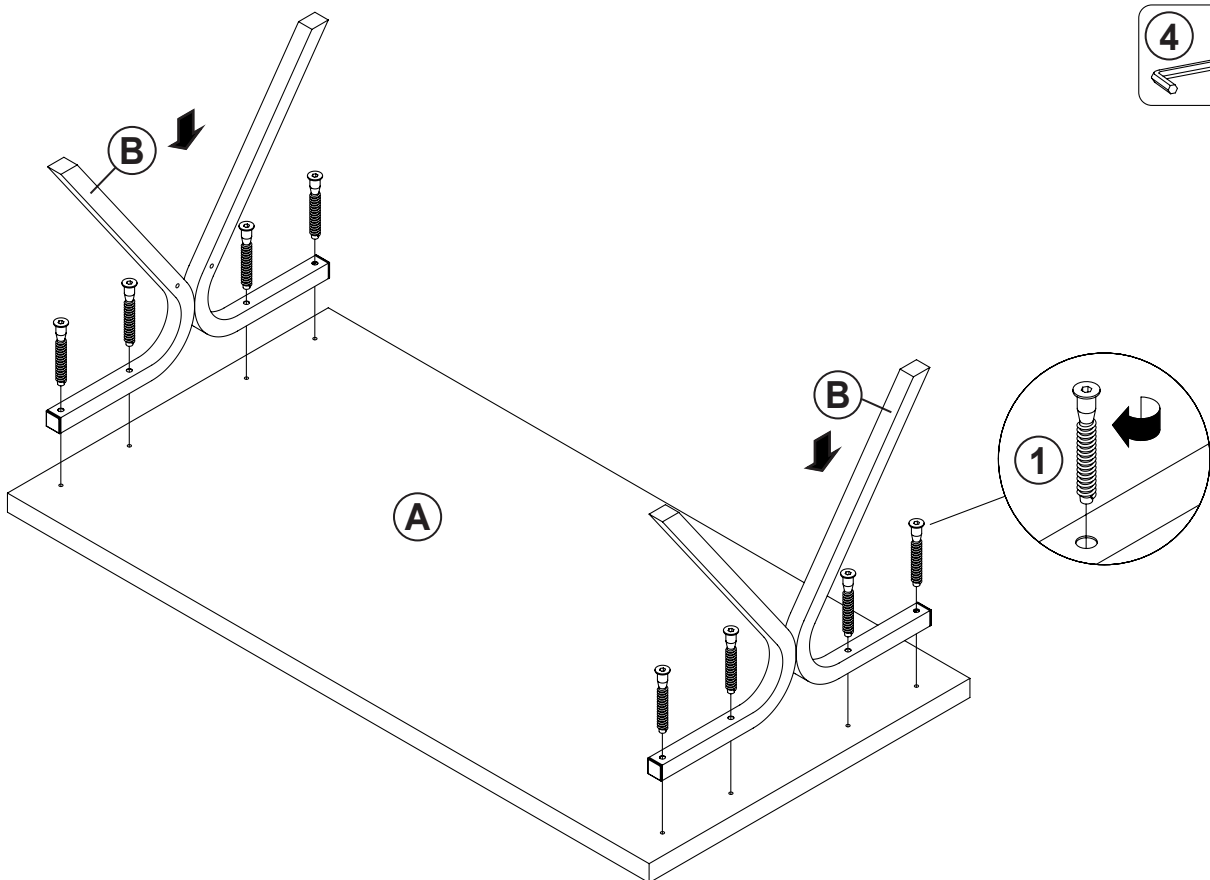
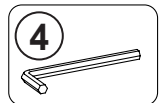
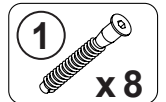
### NOTE:

Phillips head screw driver is required in the assembly process; however, manufacturer does not provide this item.

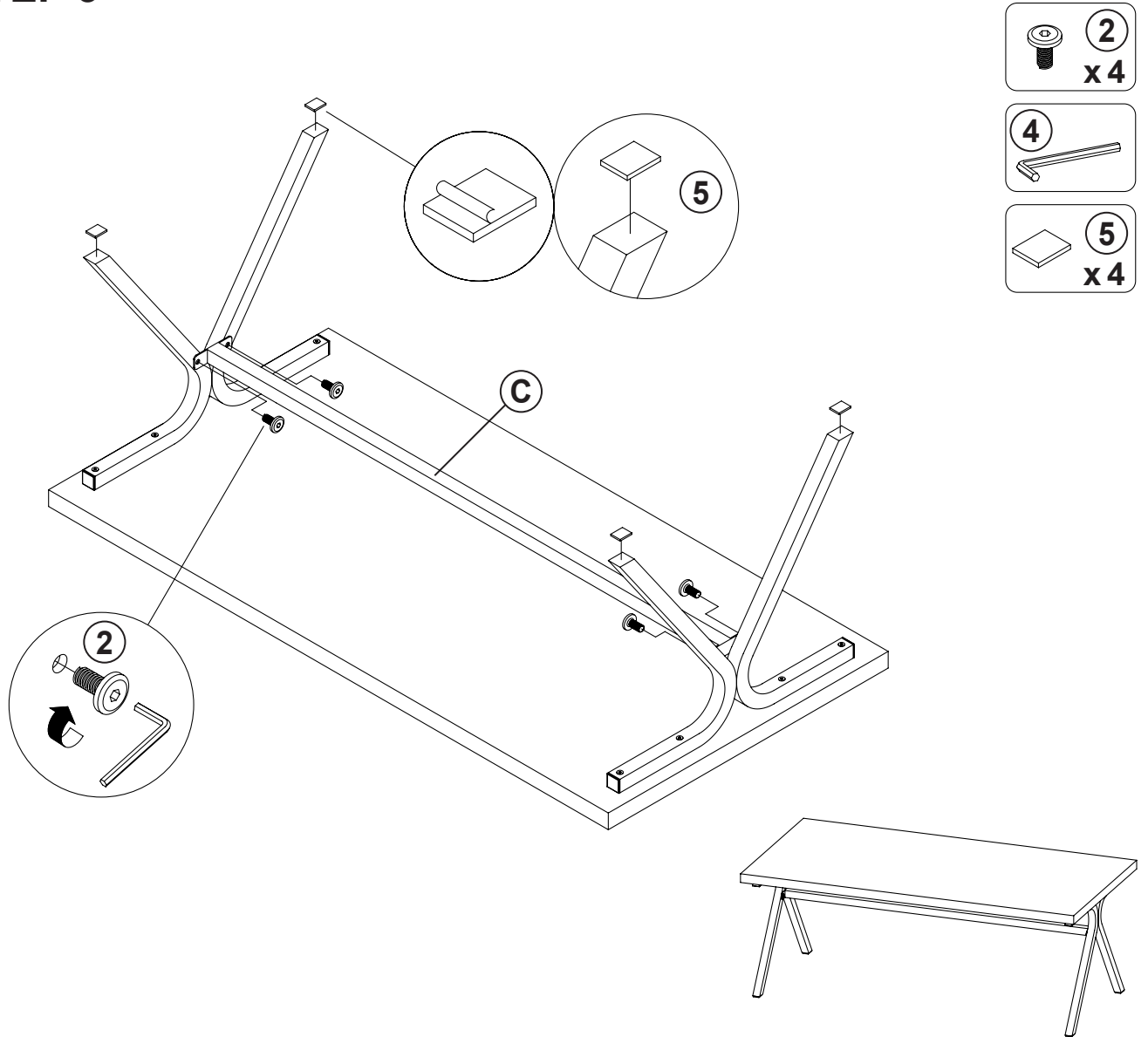
# STEP 1



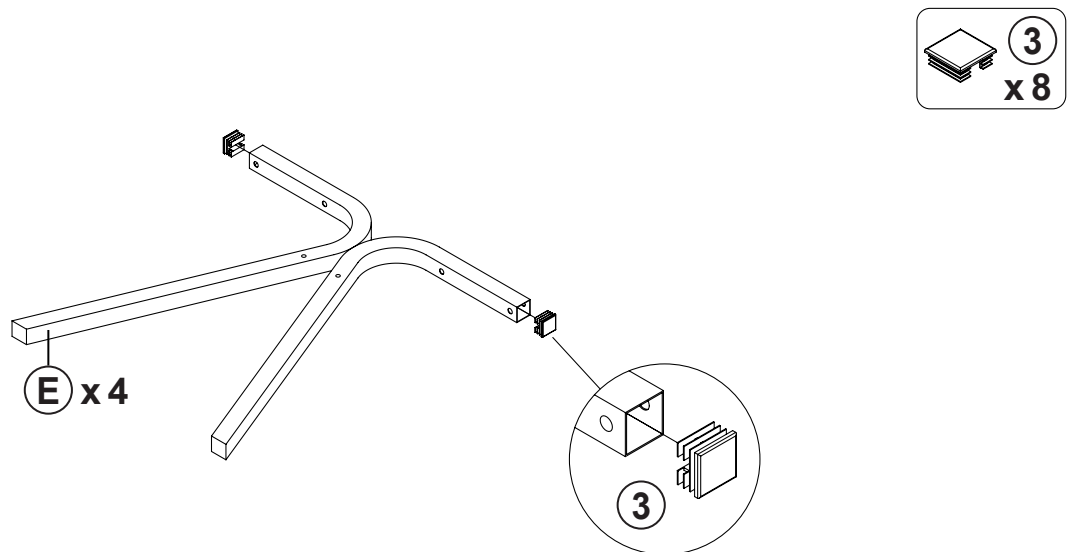
# STEP 2



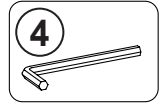
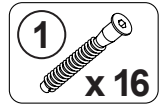
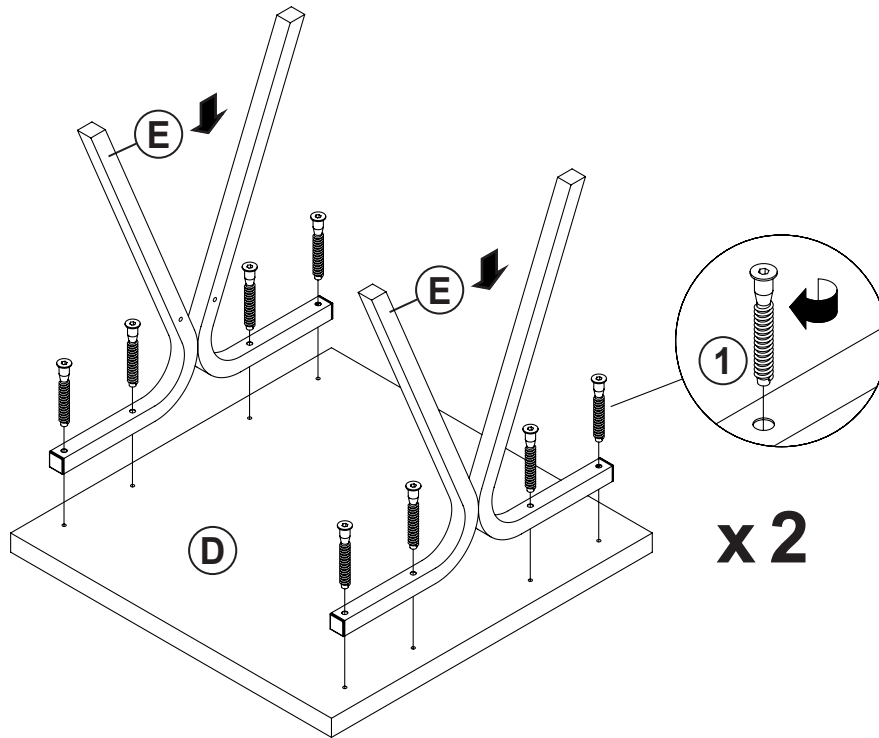
# STEP 3



# STEP 4

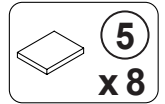
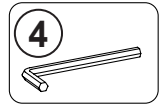
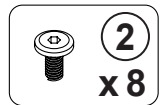
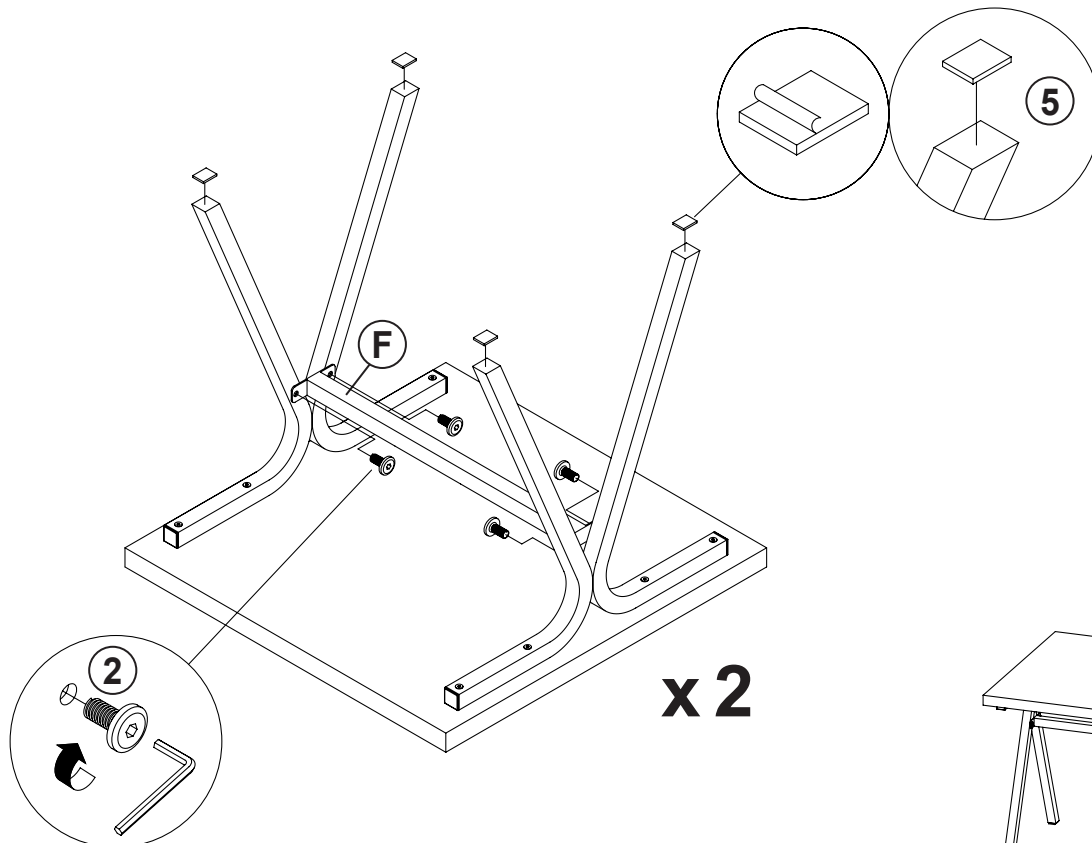


# STEP 5



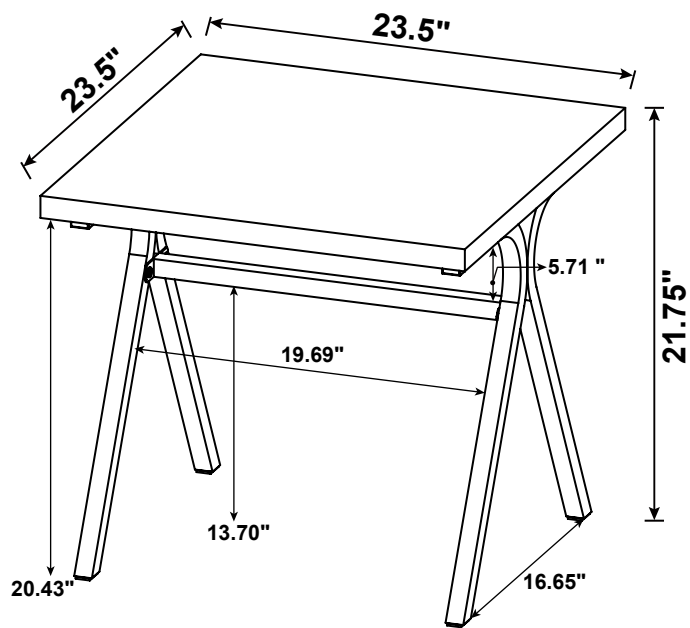
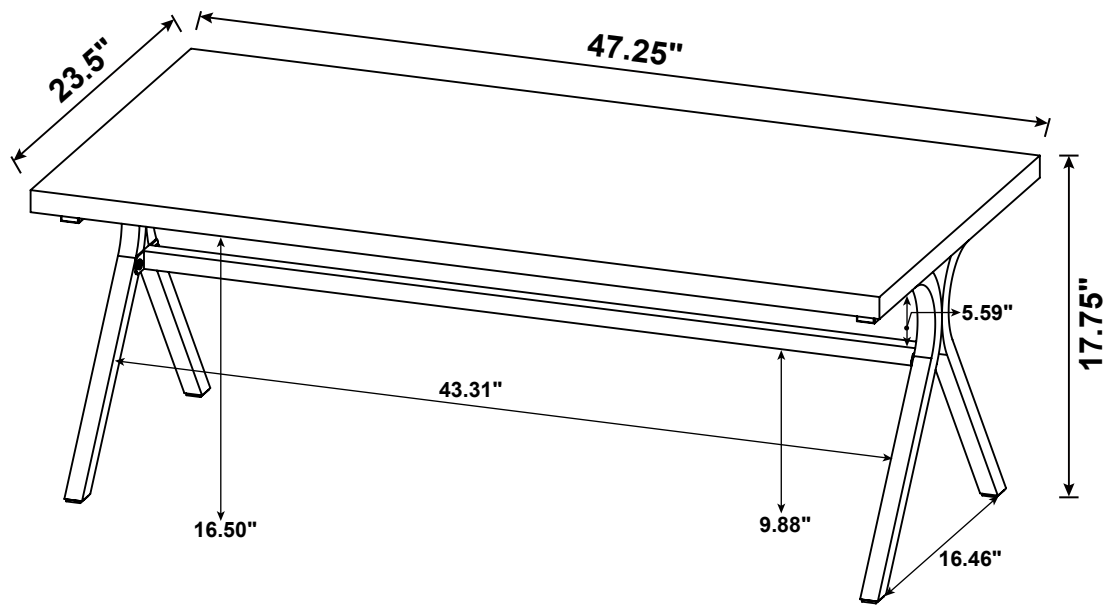
x 2

# STEP 6



x 2





Note : Dimension tolerance  $\pm 5\%$