





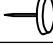


# ASSEMBLY INSTRUCTION

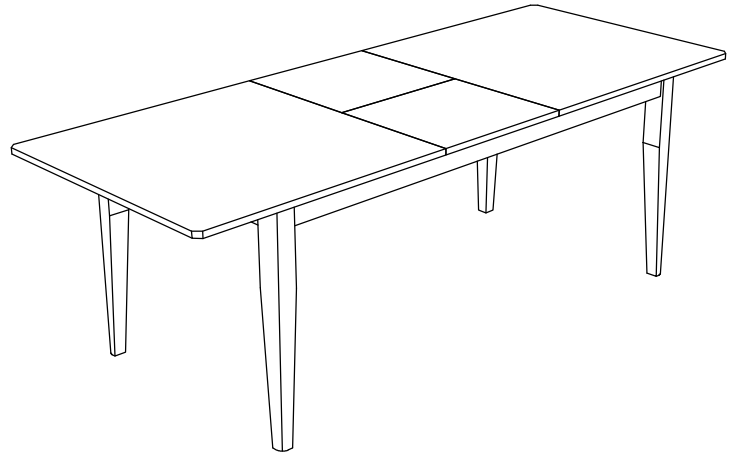
## IMPORTANT NOTE :

BEFORE YOU BEGIN, PLEASE READ AND FOLLOW THE ASSEMBLY INSTRUCTIONS CAREFULLY.

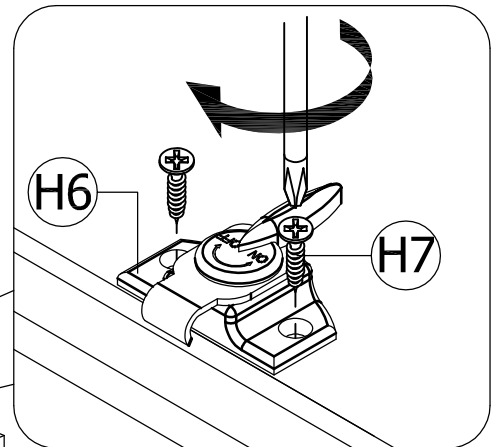
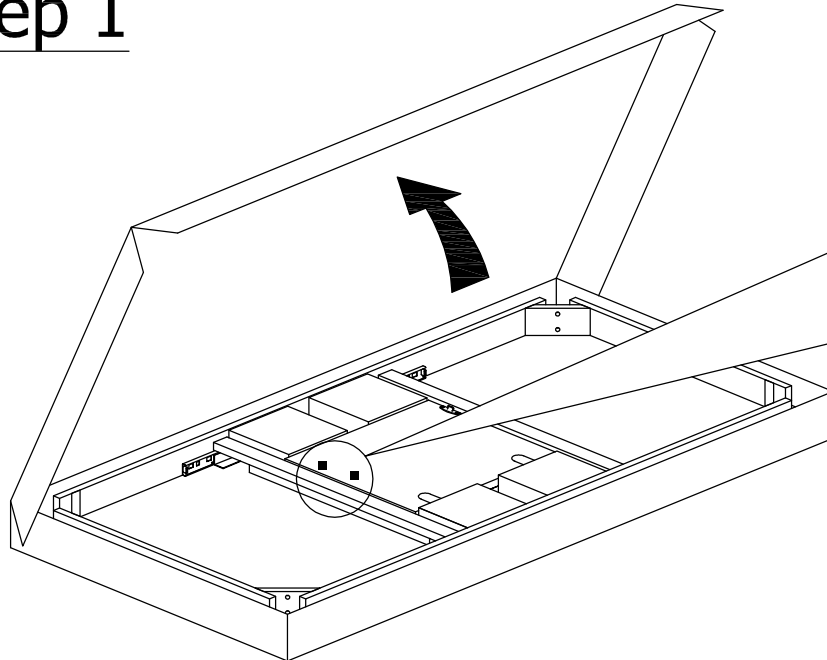
- IDENTIFY AND SEPARATE ALL PARTS BEFORE DISCARDING PACKAGING.
- PLACE WOODEN PART ON A CLEAN SOFT SURFACE TO AVOID SCRATCHING THE PARTS.
- DO NOT USE POWER TOOL FOR ASSEMBLY.
- AS WITH ALL FURNITURE, OCCASIONALLY CHECK TO INSURE HAED IS TIGHT

PART NAME		
P1	TABLE TOP	1 PC
P2	TABLE LEGS	4 PCS

HARDWARE LIST ( for 1 NOS. OF TABLE )			
DESCRIPTION			EXTRA
H1	 JCBB BOLT M8 X 60MM	8 PCS	1 PC
H2	 FLAT WASHER 5/16 X 1.2(B)	8 PCS	2 PCS
H3	 ALLEN KEY M5 M5 X 60	1 PC	
H4	 SPRING WASHER WS 5/16 (B)	8 PCS	2 PCS
H5	 LEG STUD	4 PCS	1 PC
H6	 TABLE LOCK	1 PC	
H7	 CSK SCREW M4 X 20MM	2 PCS	



## Step 1



Thank you for purchasing our product !  
Please assemble the products with the guidance of the manual instruction. Contact our friendly customer service department with any comments or in case any missing or damaged part or hardware. Replacements for missing or damaged parts or hardware are normally shipped within 2 or 3 days.

# Step 2

