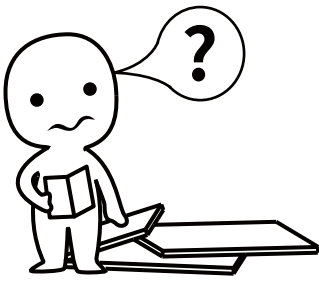


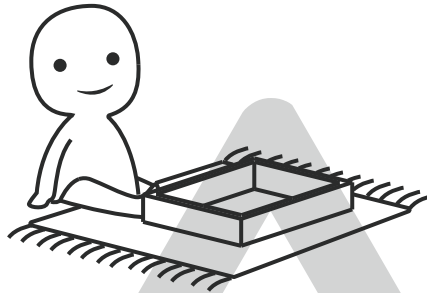
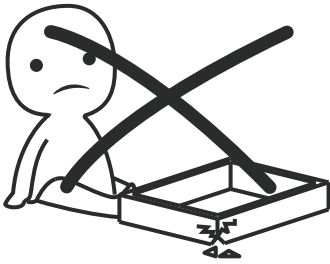
INSTALLATION

Product Manual



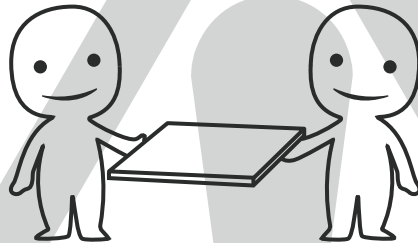
IMPORTANT INFORMATION!

please read the entire manual before starting to assemble and/or using this product. follow the manual thoroughly and keep it for further reference.



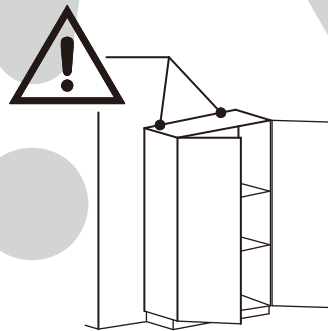
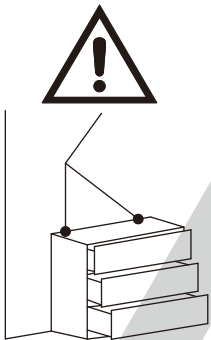
AVOID SCRATCHES!

In order to avoid scratching this furniture should be assembled on a soft layer - could be a rug.



IMPROVE EFFICIENCY !

Try to find a partner to install with you, which can speed up the installation efficiency and shorten the time.



ANTI-TOPPLE WARNING !

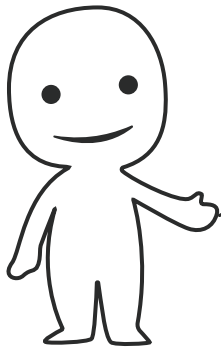
Overturnd furniture can cause serious or fatal crush injuries. To prevent tipping over, be sure to use the wall attachment, if not included with this product. Please purchase the wall attachment that fit your wall. If unsure, seek professional advice. Please read and follow each step of the instructions carefully.

IMPORTANT !

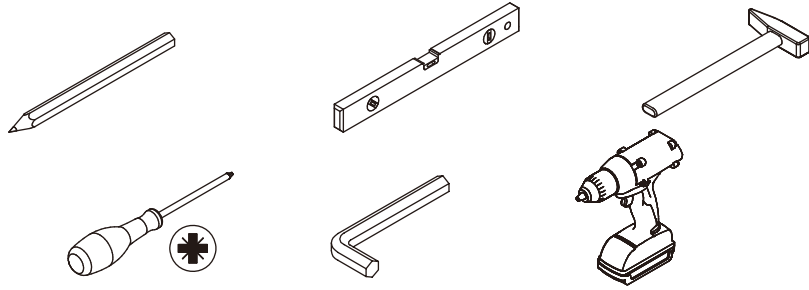
It is important that any product which is assembled using any kind of screw is re-tightened 2 weeks after assembly, and once every 3 months - in order to assure stability through-out the lifespan of the product.

For regular maintenance and cleaning of the product, for the frame, please use a rag dipped in neutral detergent to fully wipe it, and then dry it with a clean rag. For glass materials, wipe with a rag dampened with water glass cleaner, and then dry with a dry rag.

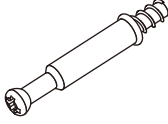
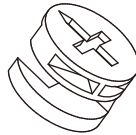
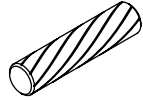
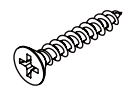
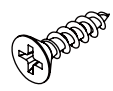
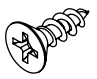
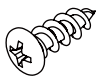
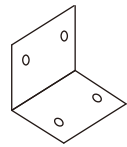
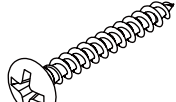
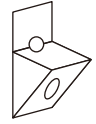
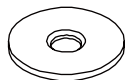
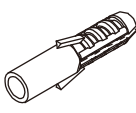

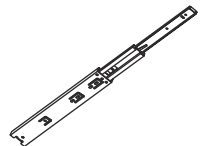
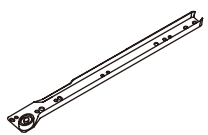
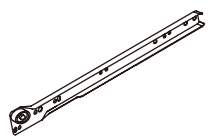
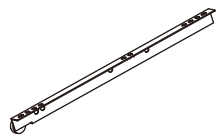
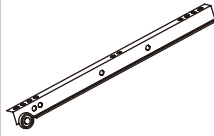
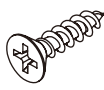
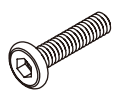
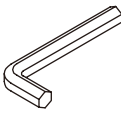
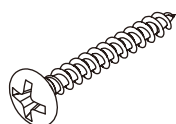
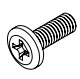
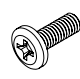
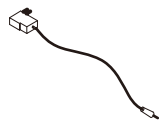
Do not use an electric screwdriver, and do not use too much force when installing, because the board is easy to break.

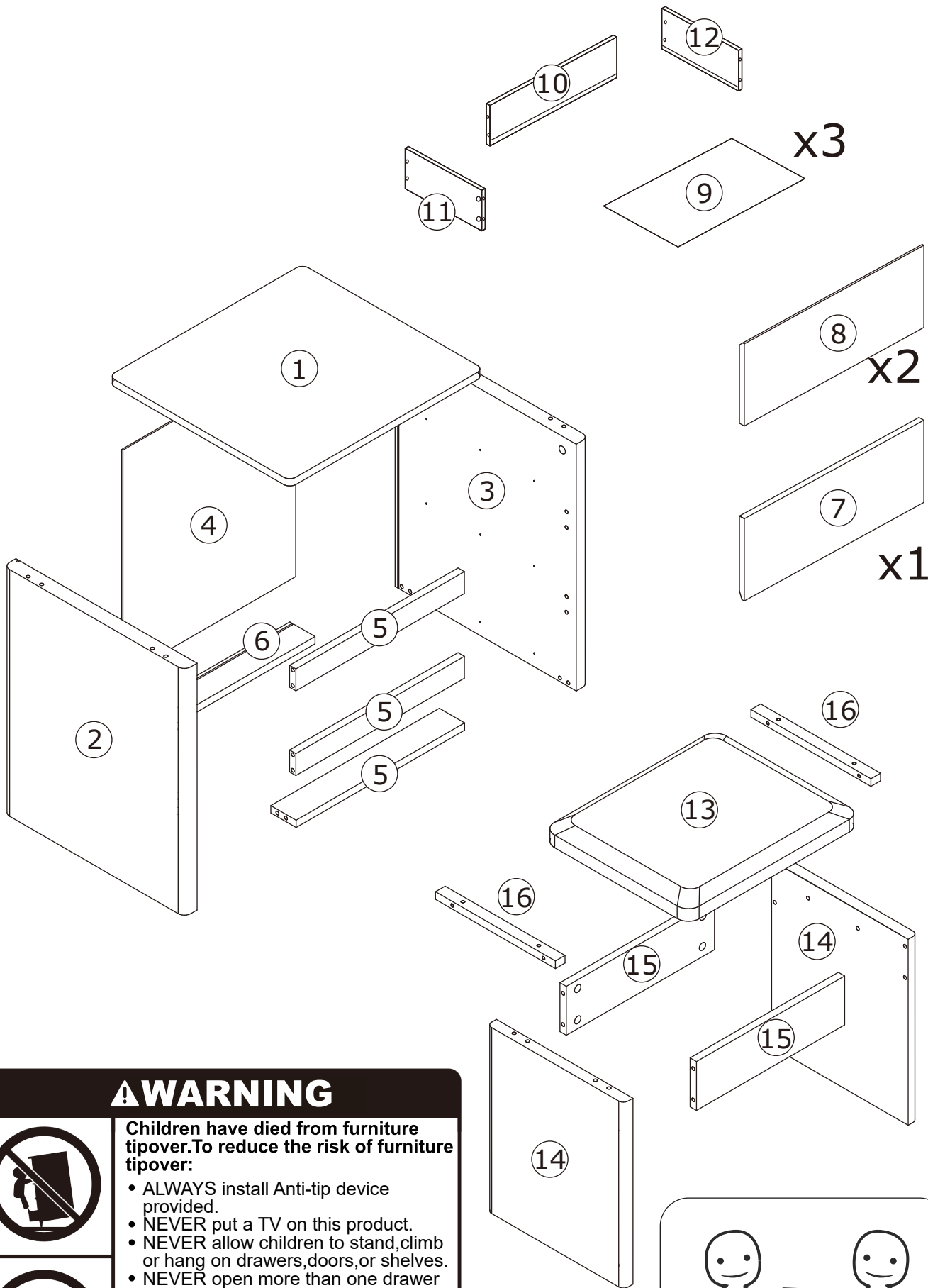


Please prepare the following tools



When installing, please carefully confirm whether each screw corresponds to the manual, accessories with similar shapes can be distinguished by size

| | | | | |
|--|--|---|--|---|
| A x 46  Ø 6 x 35 mm | B x 46  Ø 15 x 10 mm | C x 26  Ø 6 x 30 mm | D x 32  Ø 4 x 35 mm | E x 4  Ø 3 x 16 mm |
| F x 64  Ø 3 x 12 mm | G x 10  Ø 4 x 12 mm | H x 2  | J x 3  Ø 4 x 40 mm | K x 4  |
| L x 4  | N x 2  | P x 2  | Q x 4  350 mm | CL x 3  350 mm |
| CR x 3  350 mm | DL x 3  350 mm | DR x 3  350 mm | U x 28  Ø 3 x 25 mm | V x 4  Ø 6 x 12 mm |
| W x 1  | R x 8  Ø 4 x 30 mm | S x 2  Ø 6 x 25 mm | T x 2  Ø 6 x 35 mm | U x 1  |



⚠ WARNING

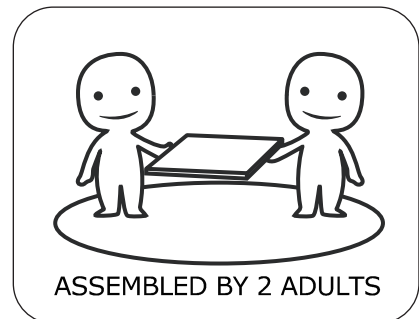


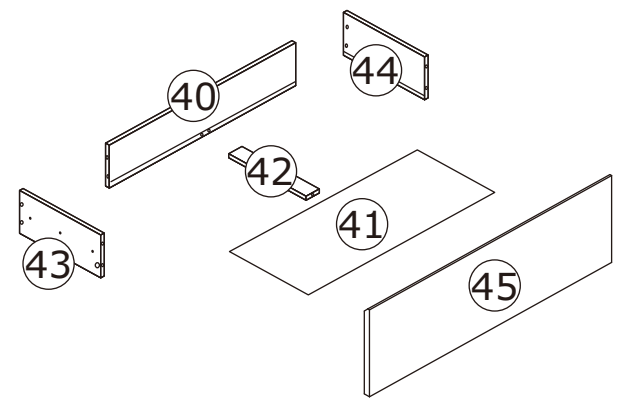
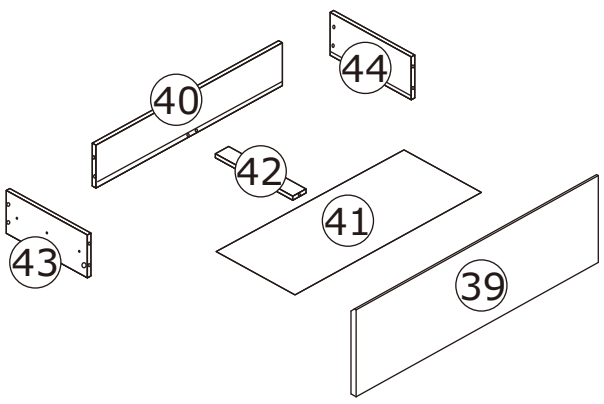
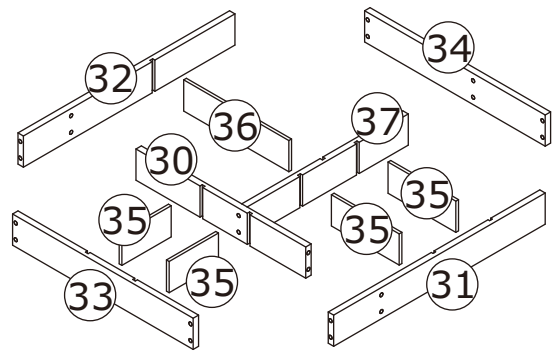
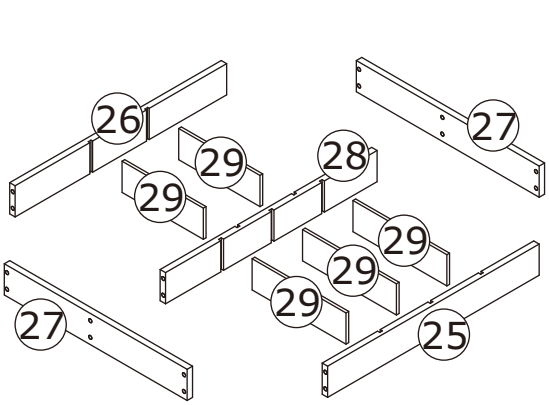
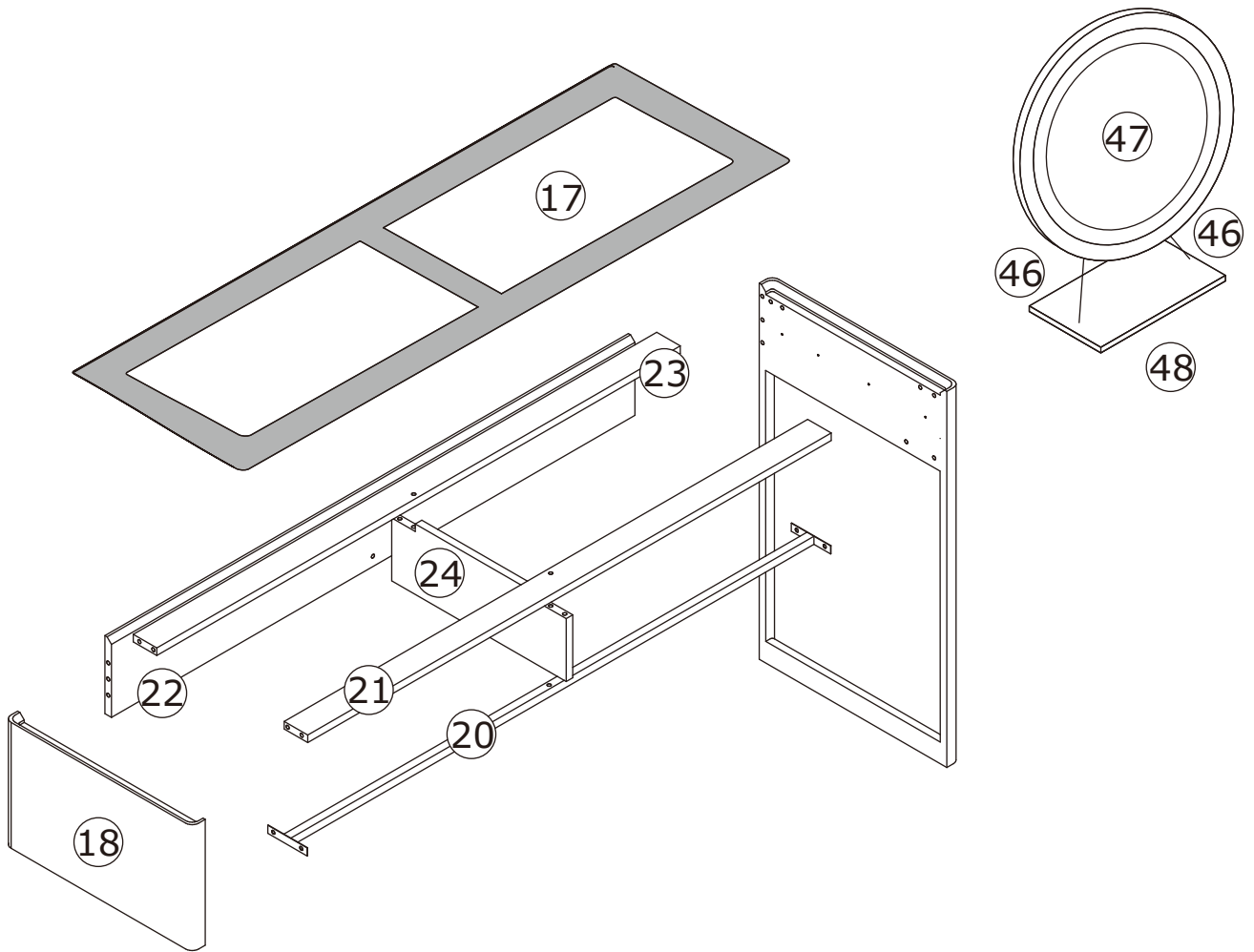
Children have died from furniture tipover. To reduce the risk of furniture tipover:

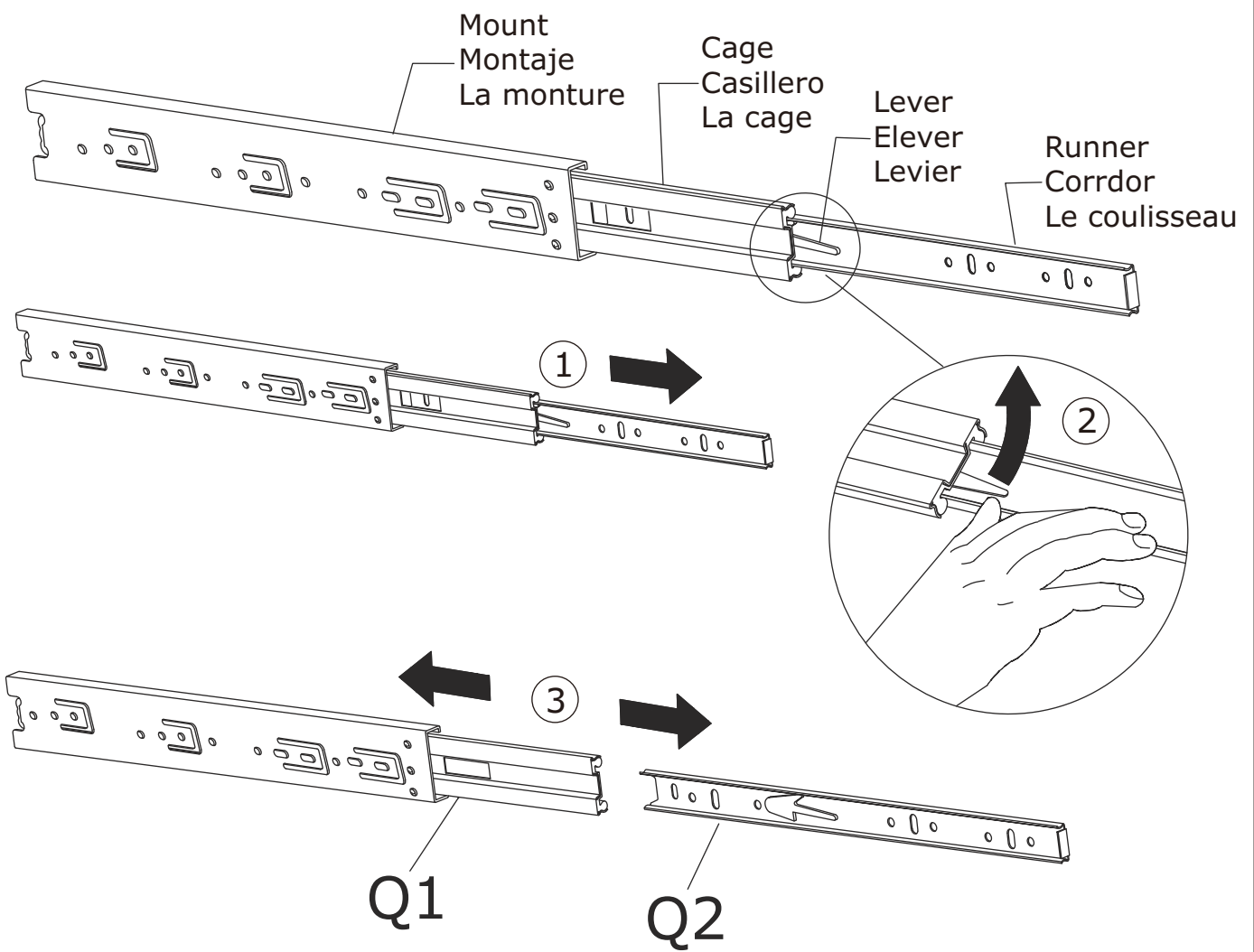
- ALWAYS install Anti-tip device provided.
- NEVER put a TV on this product.
- NEVER allow children to stand, climb or hang on drawers, doors, or shelves.
- NEVER open more than one drawer at a time.
- Place heaviest items in the lowest drawers.

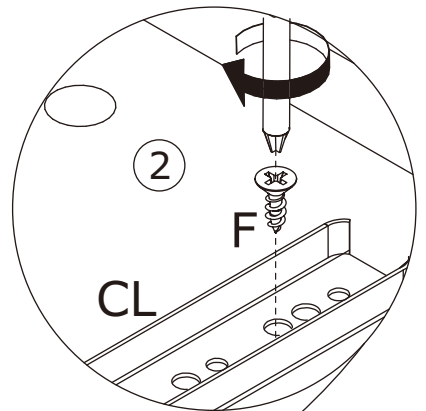
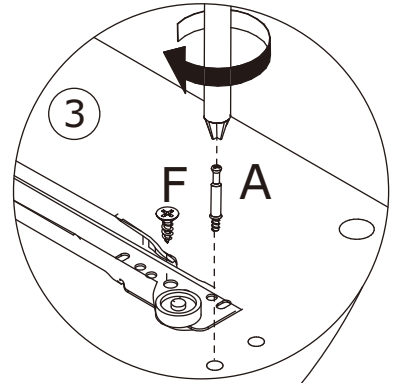
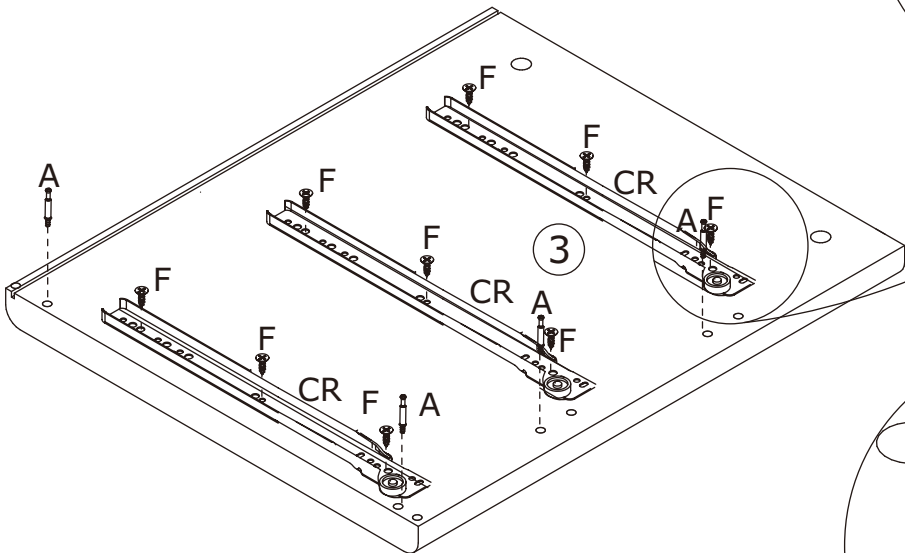
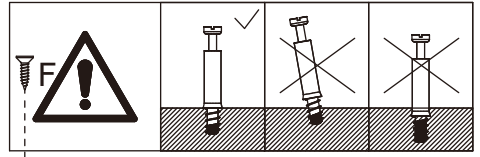
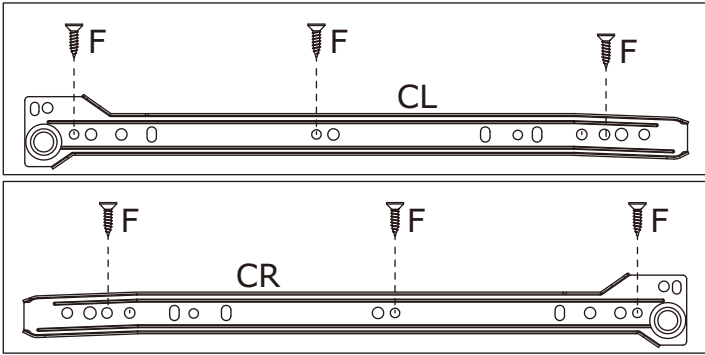
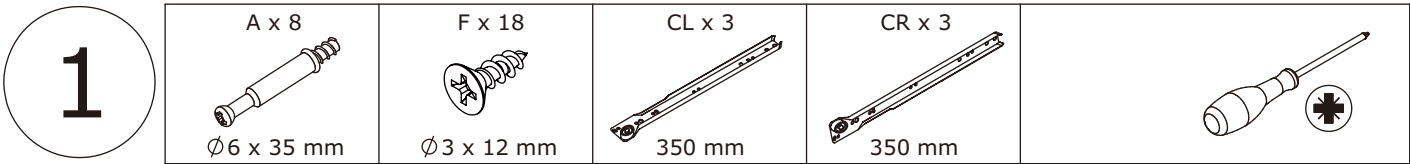


*This is a permanent label.
Do not remove!*

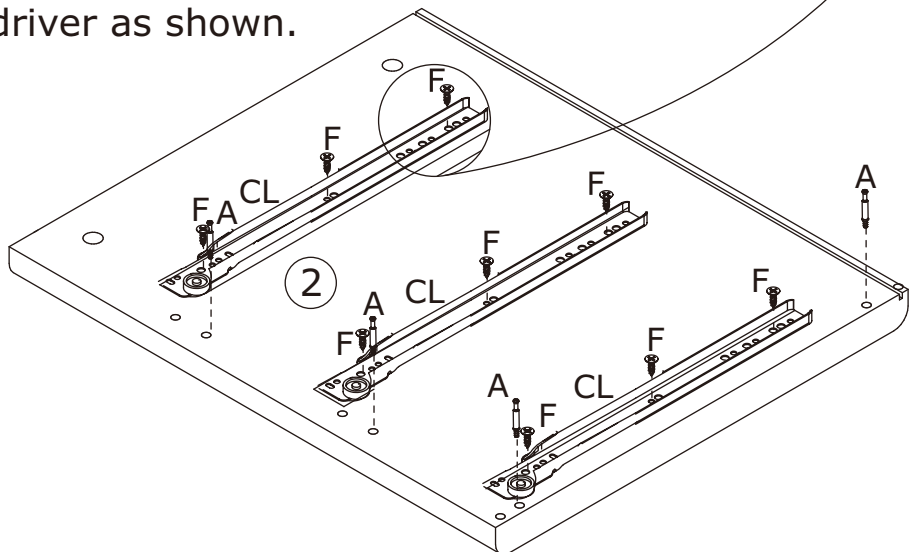




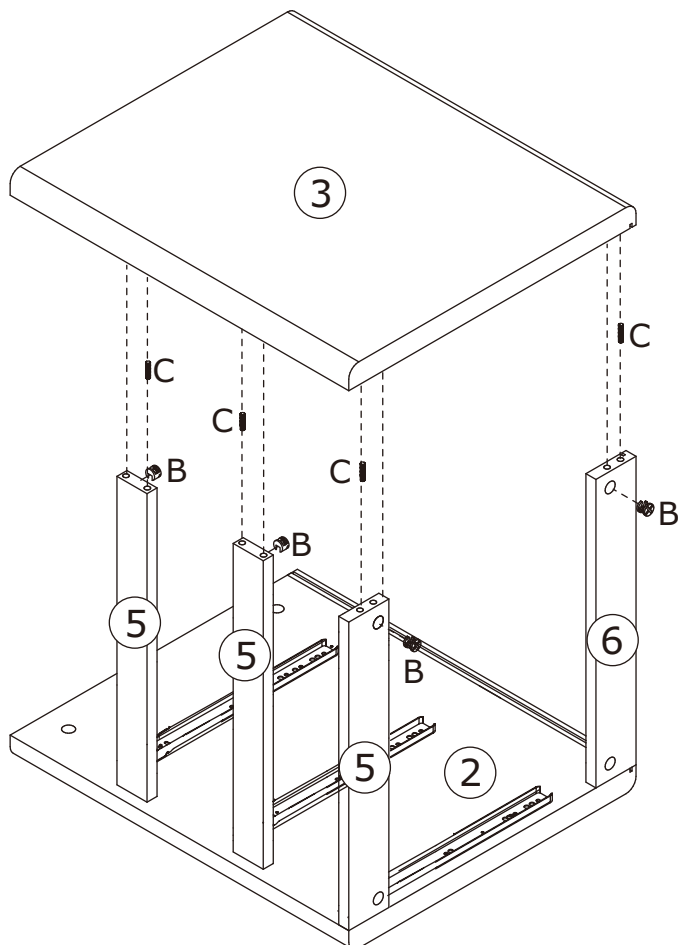
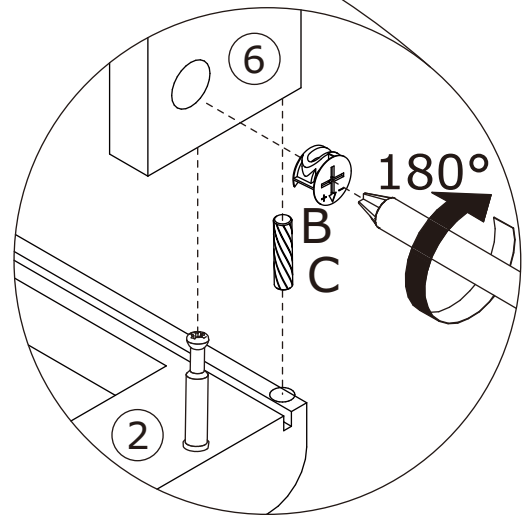
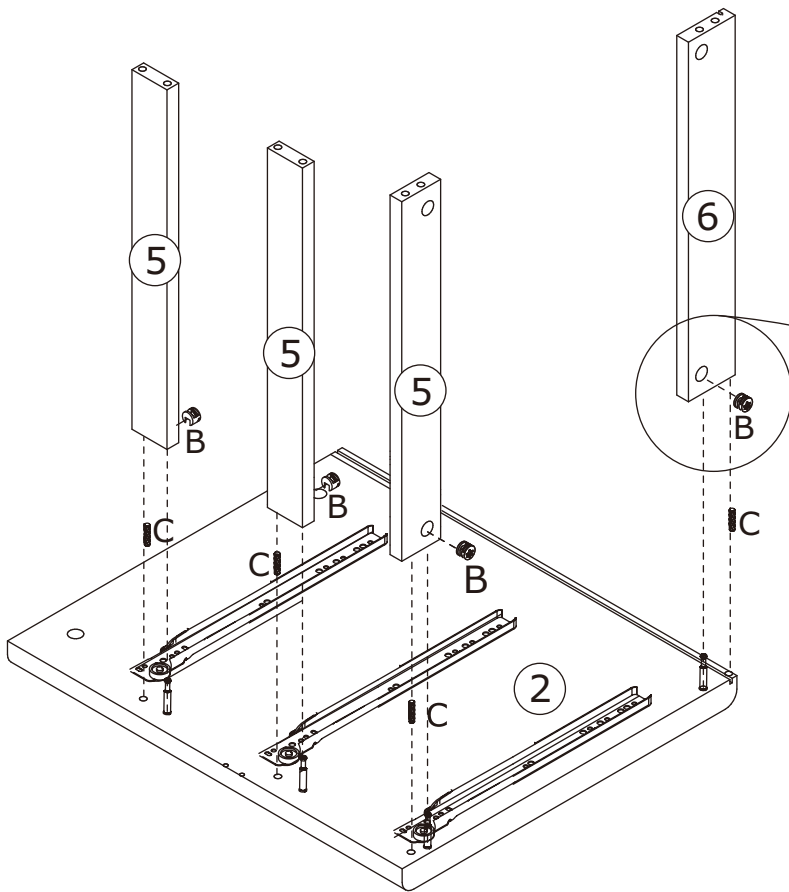
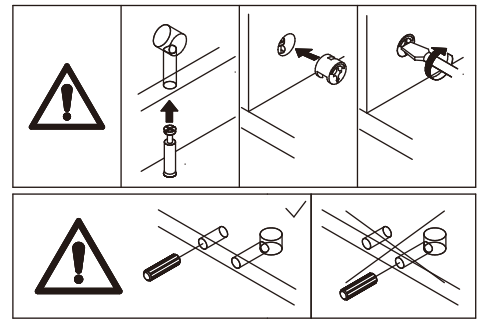
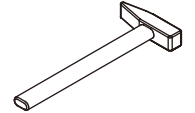
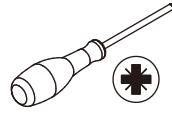
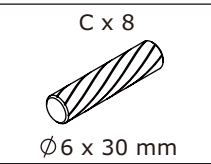
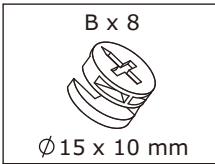




Fix slide rail(CL) and (CR) to board 3 and 2 with screw(F) as shown. Screw eccentric rod(A) into board 2 and 3 with a screwdriver as shown.

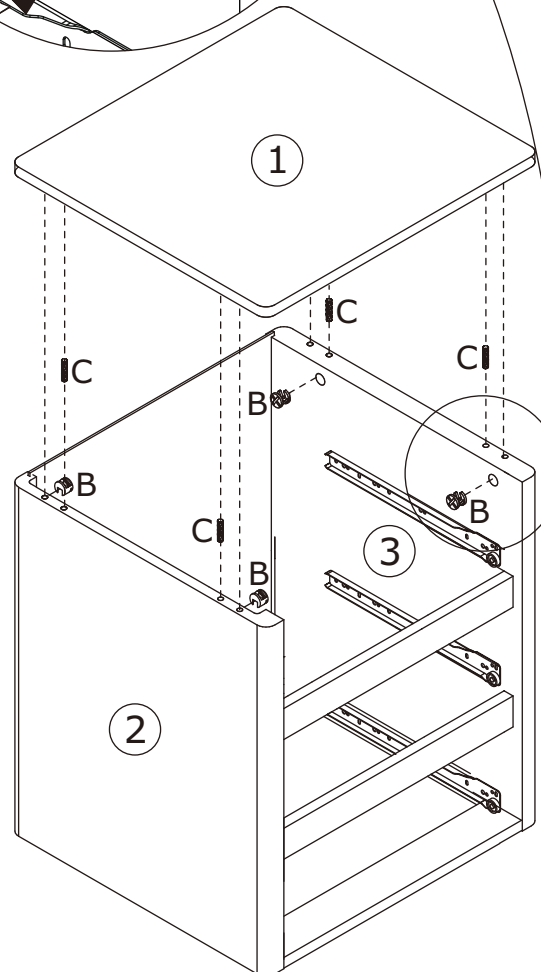
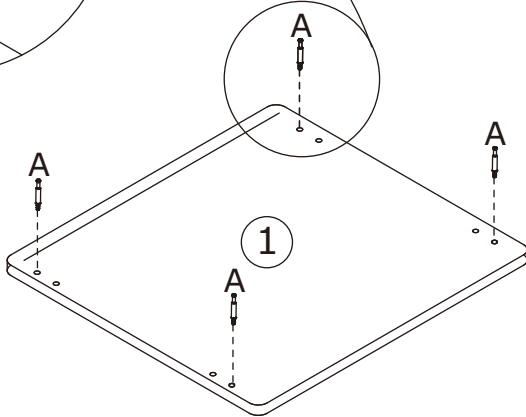
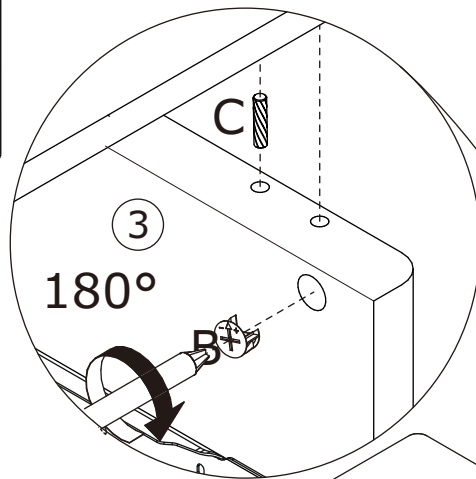
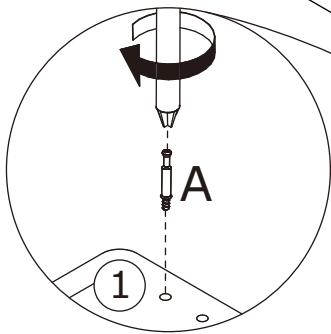
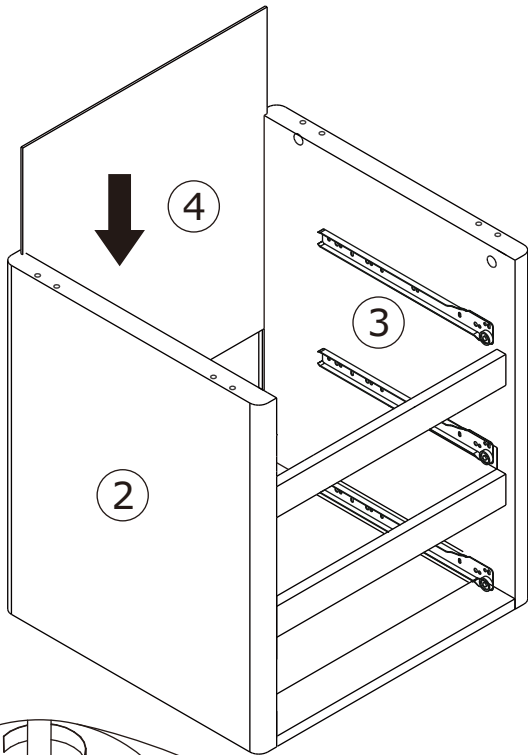
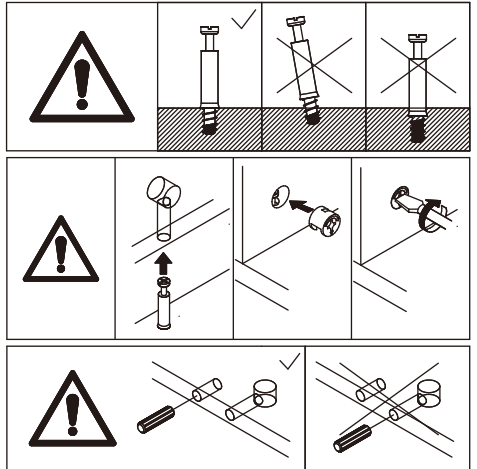
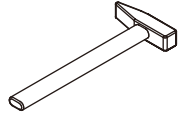
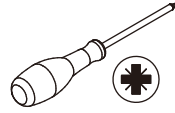
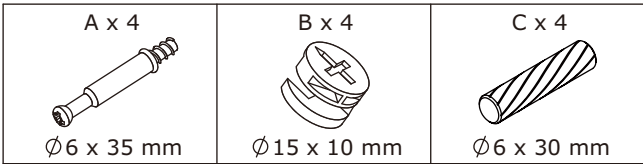


2



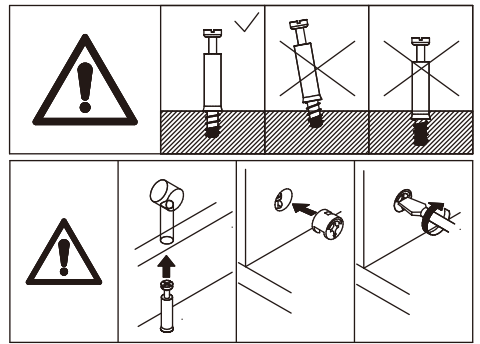
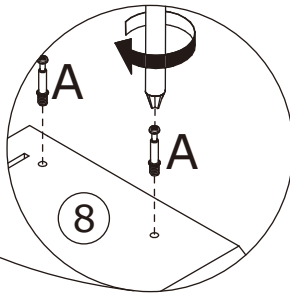
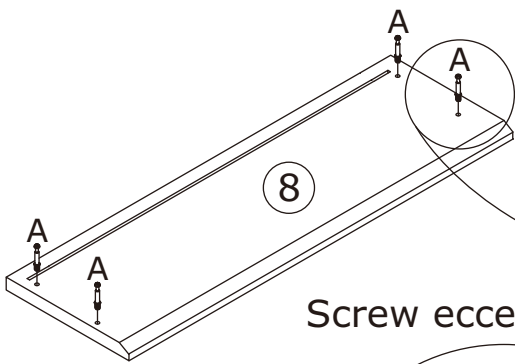
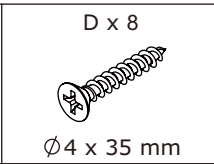
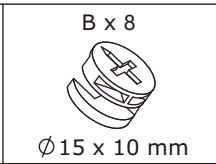
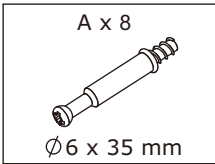
Connect board 5,6 to board 2 and 3 using wooden dowel(C), add cam lock(B) into board 5,6 turn clockwise to tighten as shown.

3

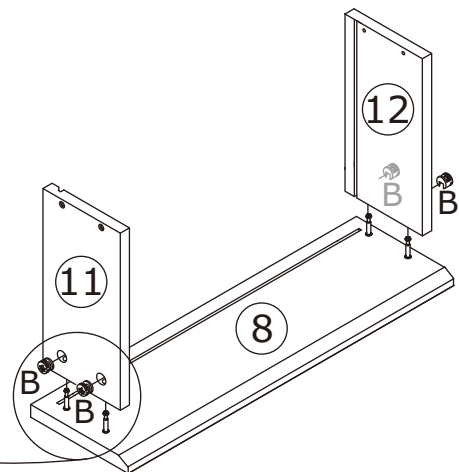
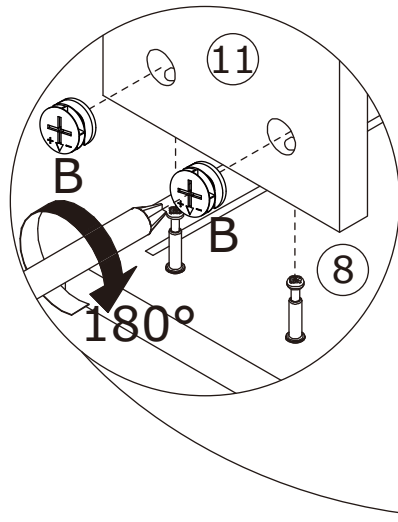


Insert back board 4 along available grooves as shown. Screw eccentric rod(A) into board 1 as shown. Cover board 1 to board 2 and 3 using wooden dowel(C), add cam lock(B) into board 2,3 and turn clockwise to tighten as shown.

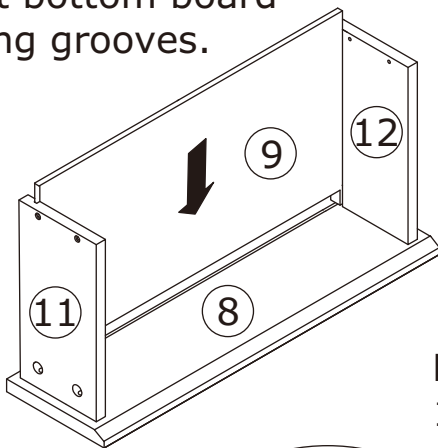
4



Screw eccentric rod(A) into board 8 as shown.

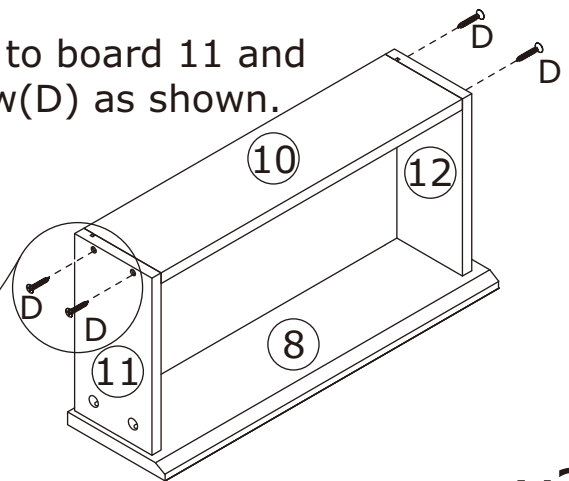
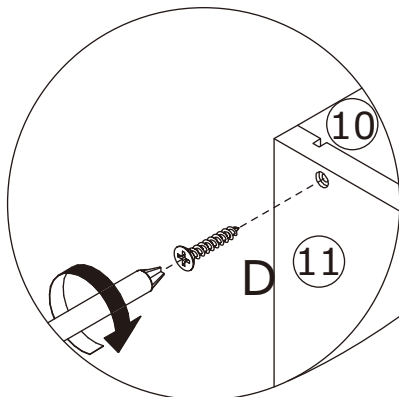


Insert bottom board 9 along grooves.



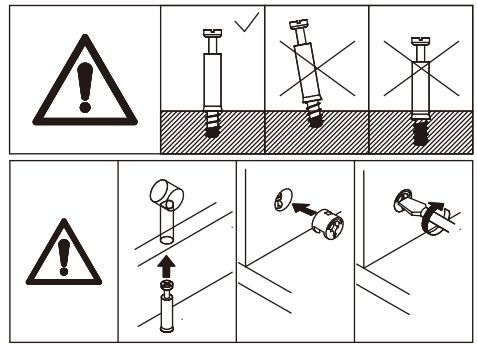
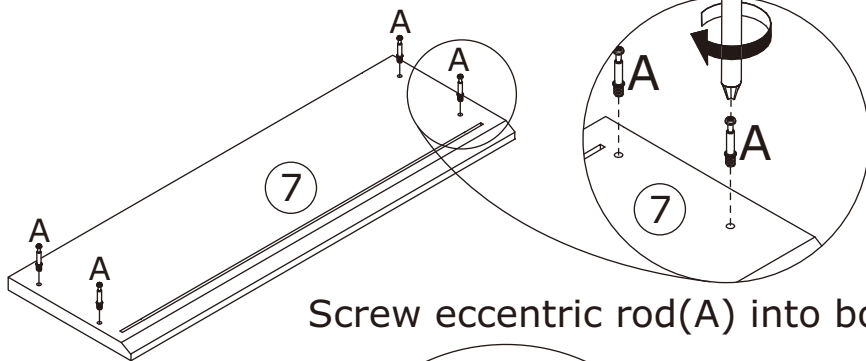
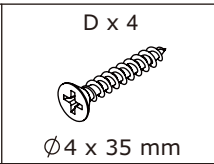
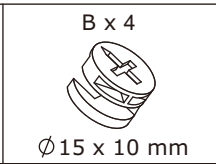
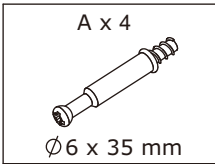
Connect board 11 and 12 to board 8, add cam lock(B) into and turn clockwise to tighten as shown.

Fix board 10 to board 11 and 12 with screw(D) as shown.

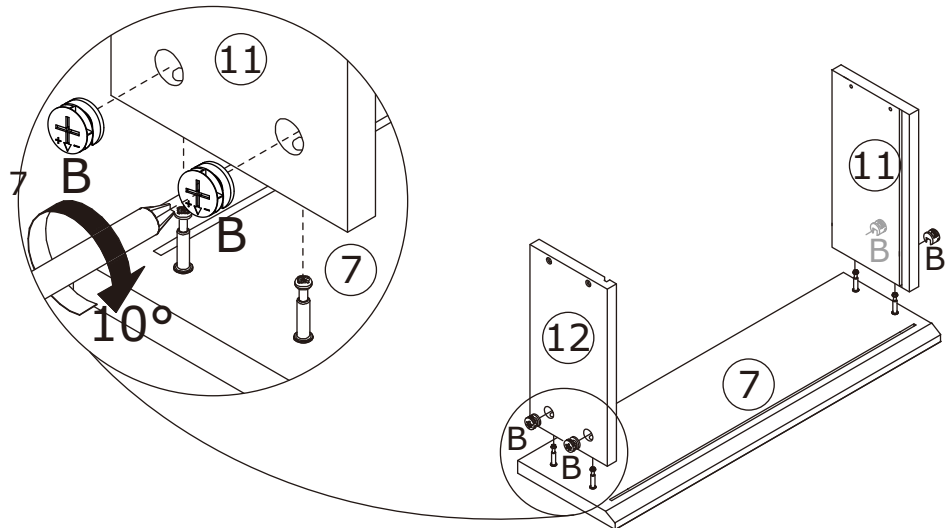


x2

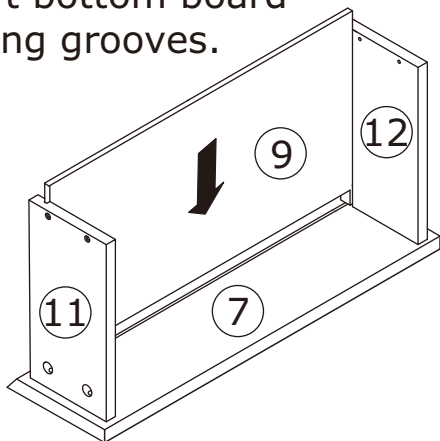
5



Screw eccentric rod(A) into board 7 as shown.

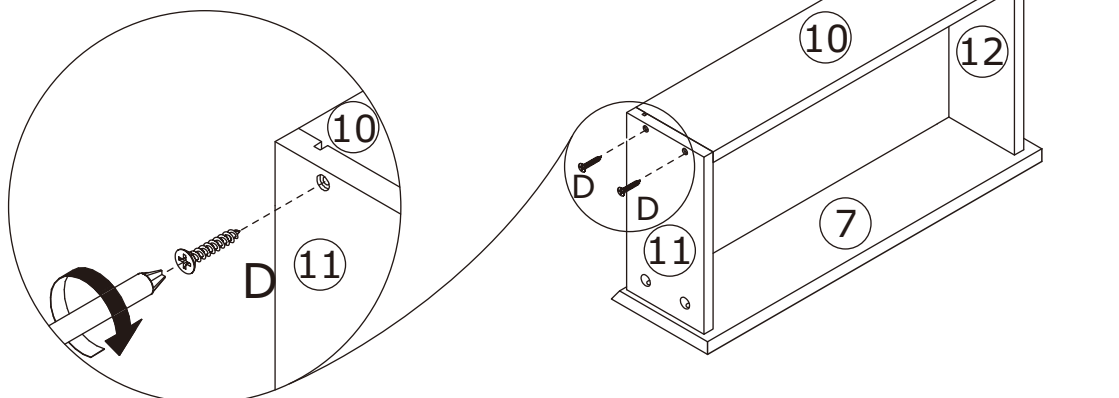


Insert bottom board 9 along grooves.

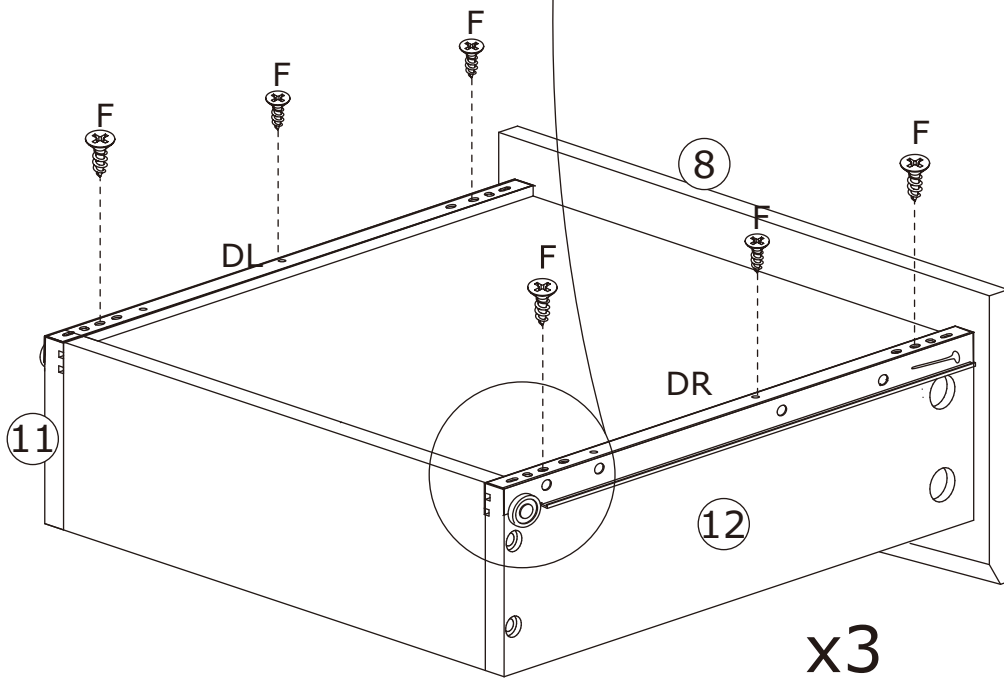
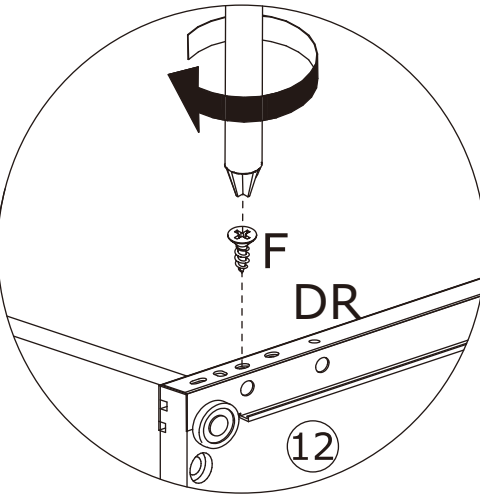
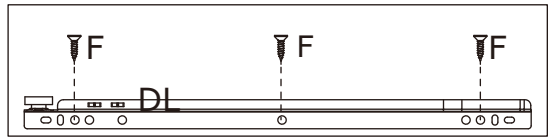
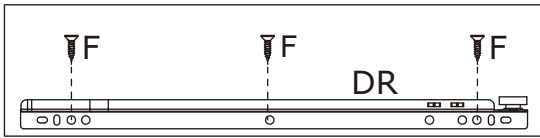
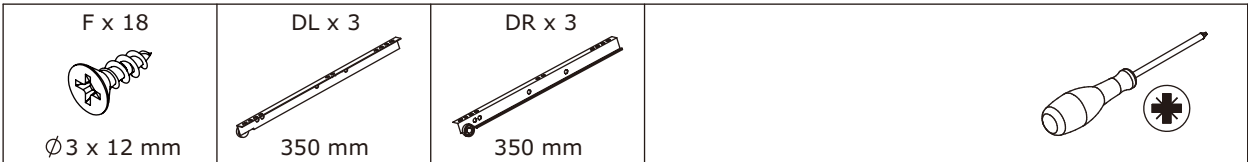


Connect board 11 and 12 to board 7, add cam lock(B) into and turn clockwise to tighten as shown.

Fix board 10 to board 11 and 12 with screw(D) as shown.

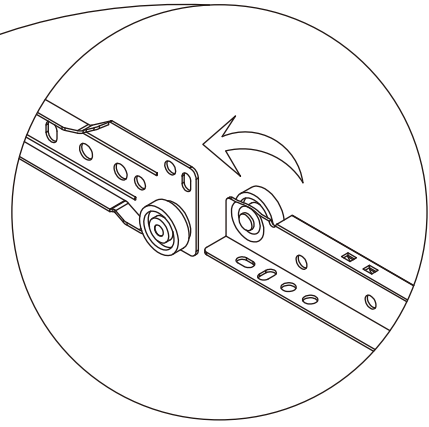
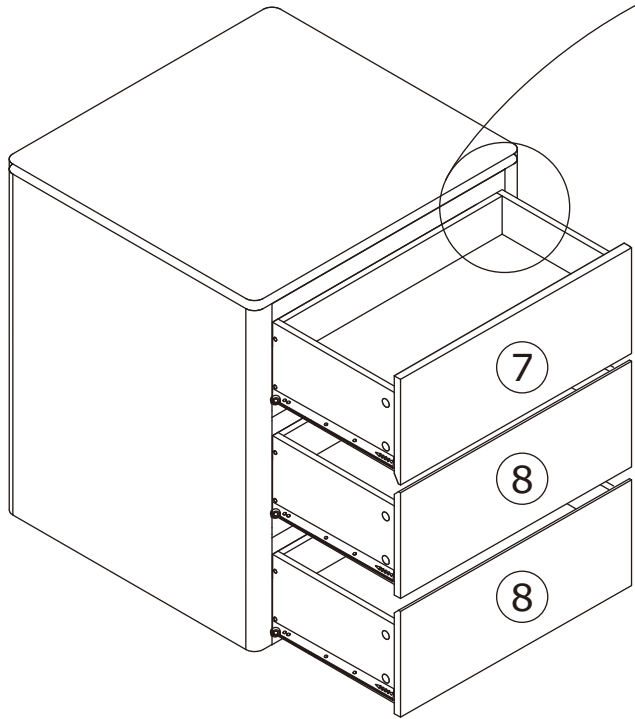
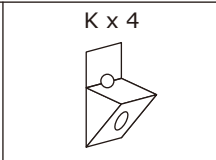
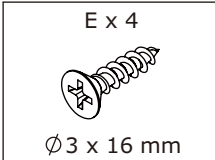


6

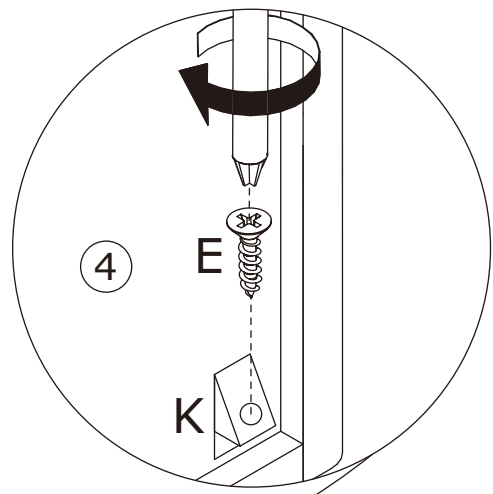
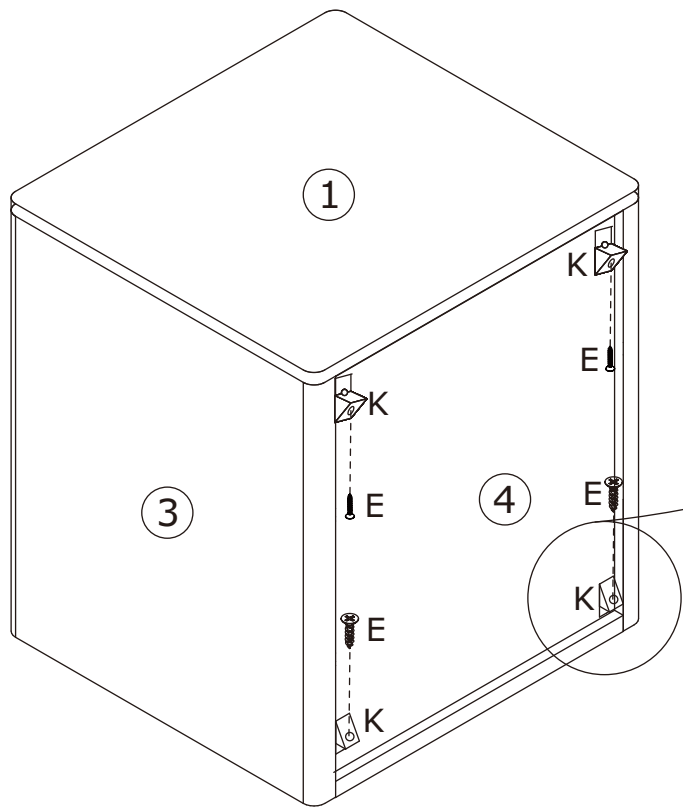


Fix runner(DL) and (DR) to board 11 and 12 respectively with screw(F) as shown.

7

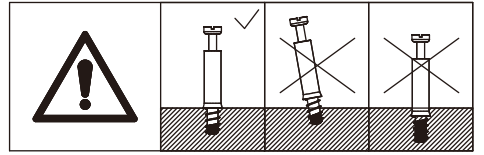
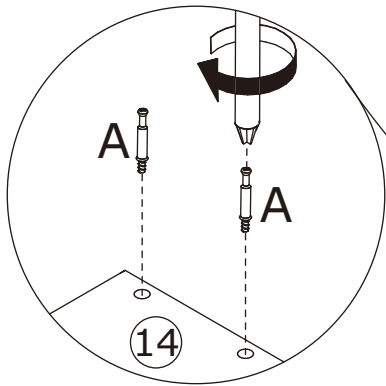
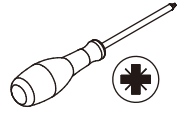
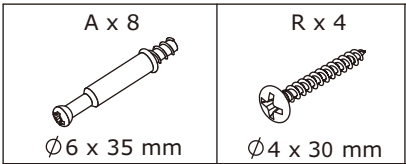


Align rails, insert drawers.

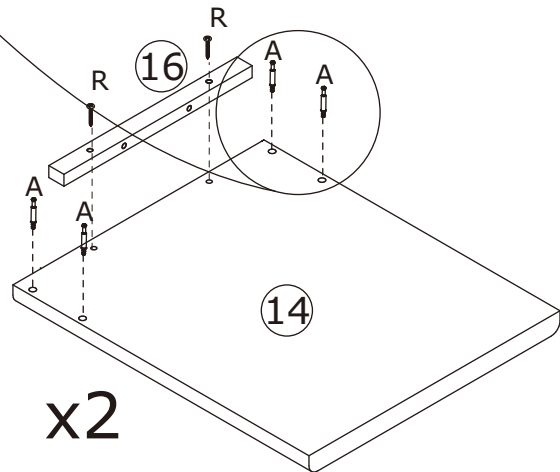


Insert buckle(K) into back slots and fix with screw(E) as shown.

8

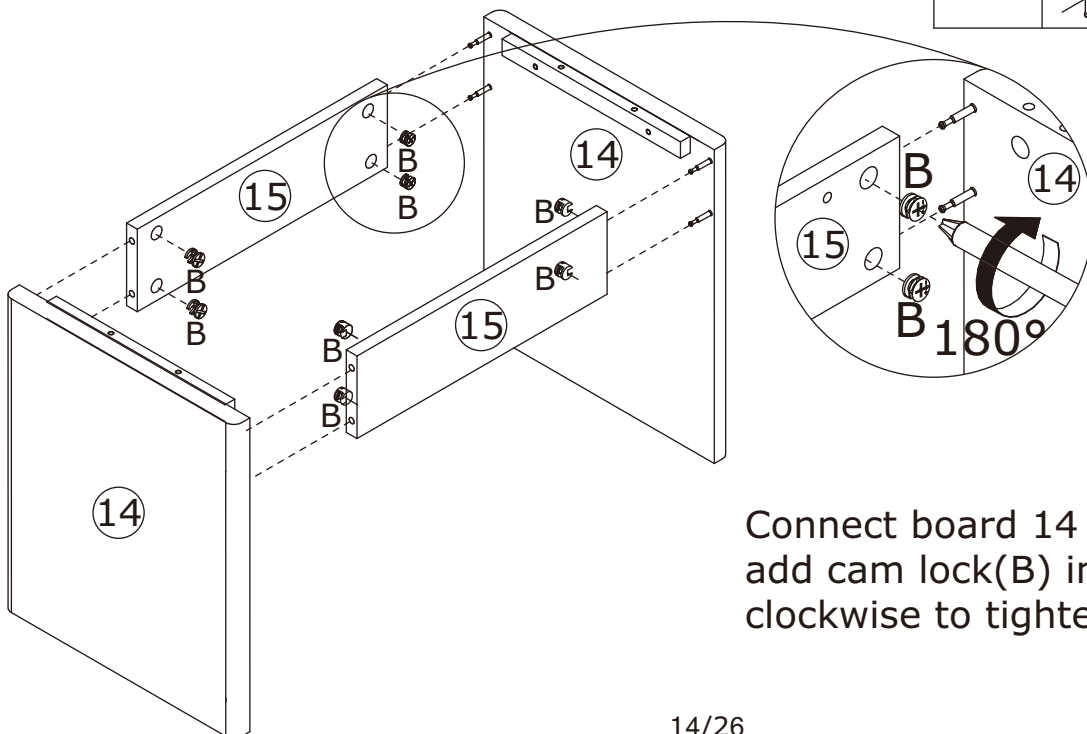
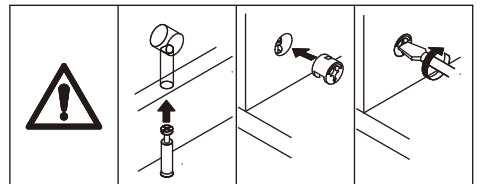
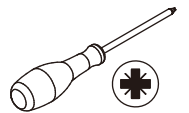
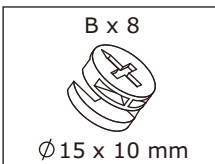


Fix board 16 to board 14 with screw(R) as shown.



Screw eccentric rod(A) into board 14 as shown.

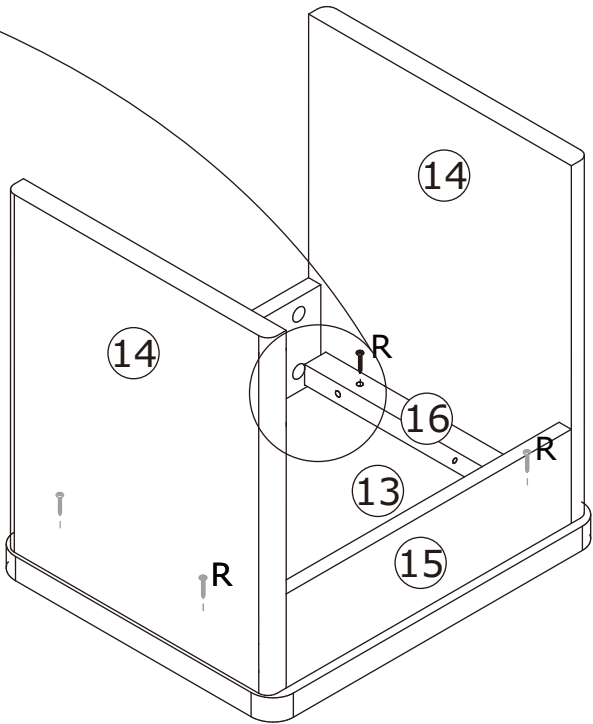
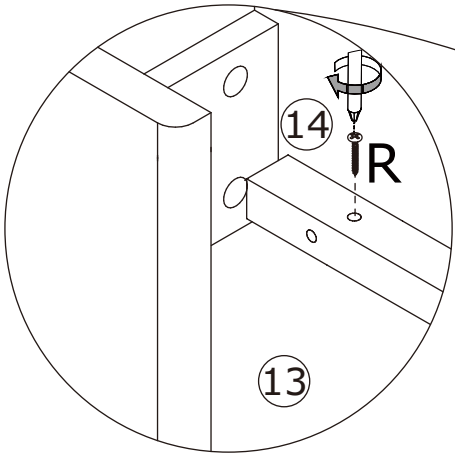
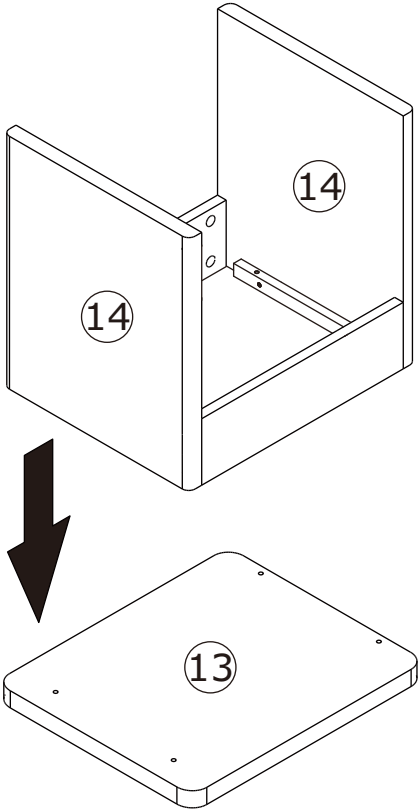
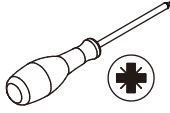
9



Connect board 14 to board 15, add cam lock(B) into and turn clockwise to tighten as shown.

10

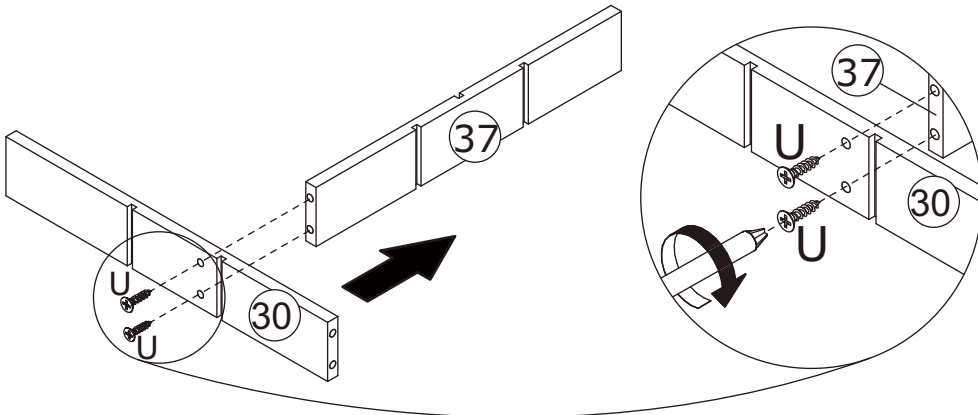
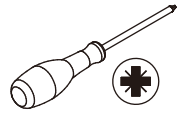
R x 4
Ø 4 x 30 mm



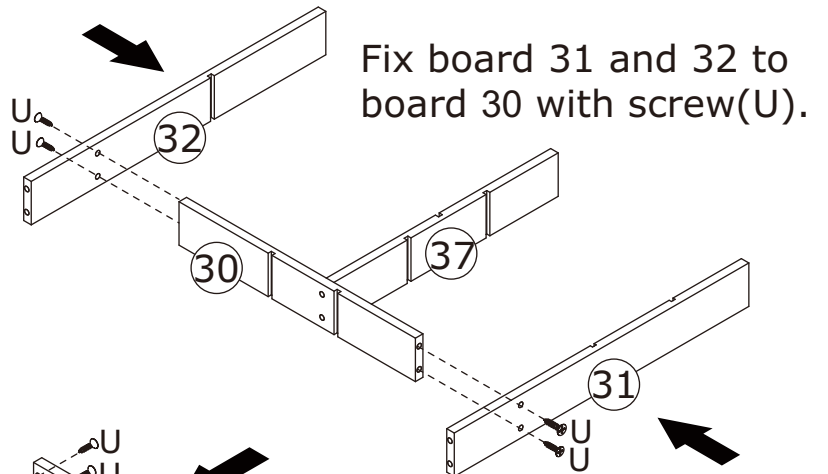
Fix board 16 to board 13 with screw(R) as shown.

11

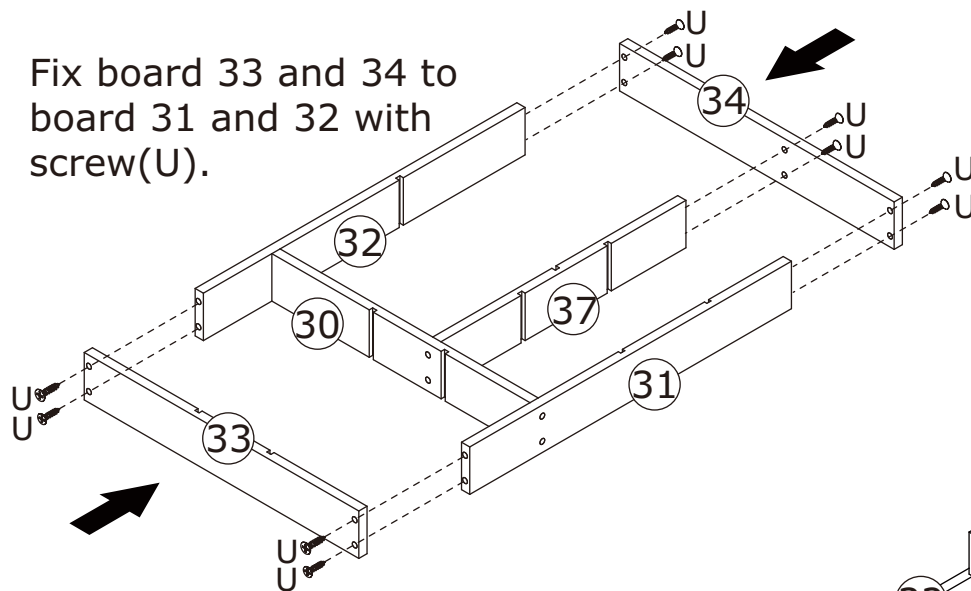
U x 16
Ø 3 x 25 mm



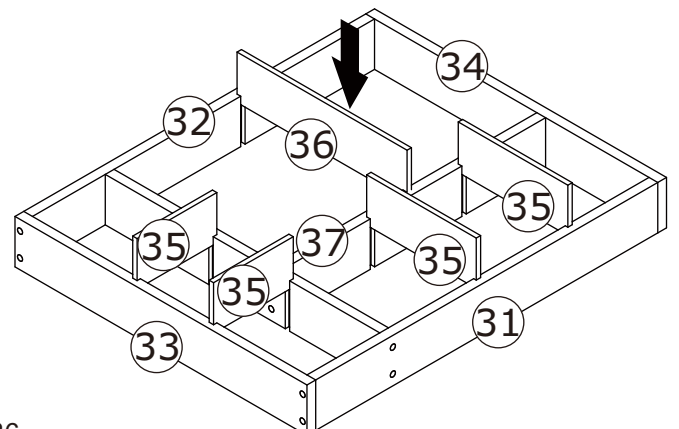
Fix board 30 to board 37 with screw(U) at first.



Fix board 31 and 32 to board 30 with screw(U).



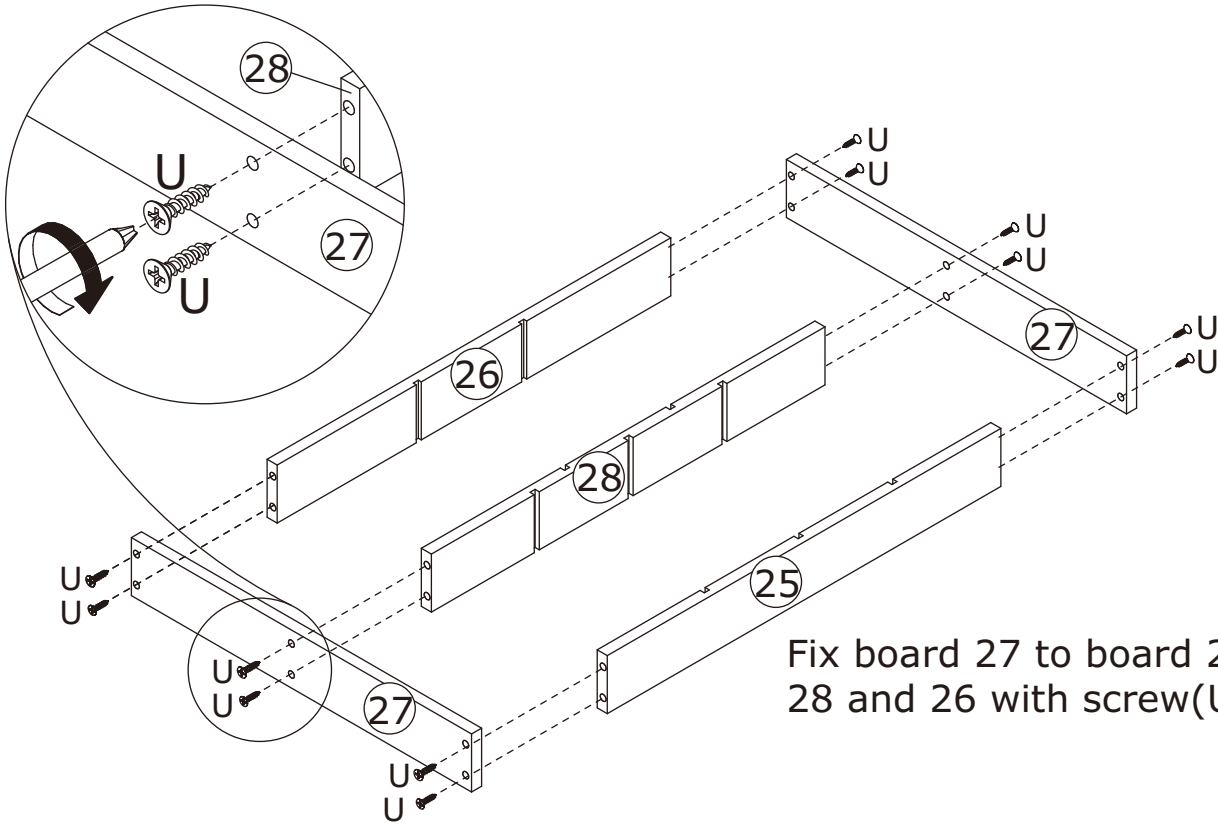
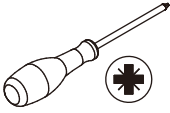
Fix board 33 and 34 to board 31 and 32 with screw(U).



Embed board 35, 36 into the part.

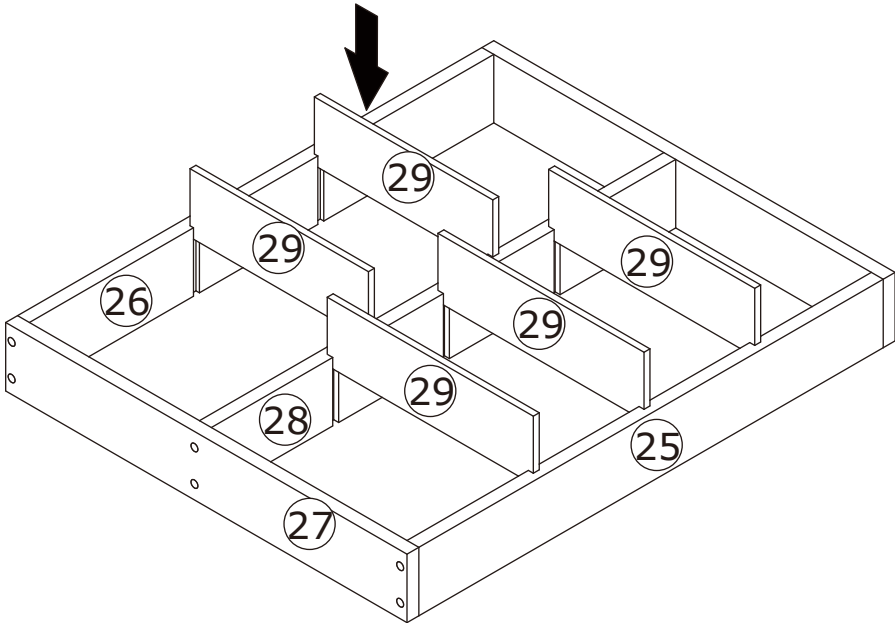
12

U x 12
Ø3 x 25 mm

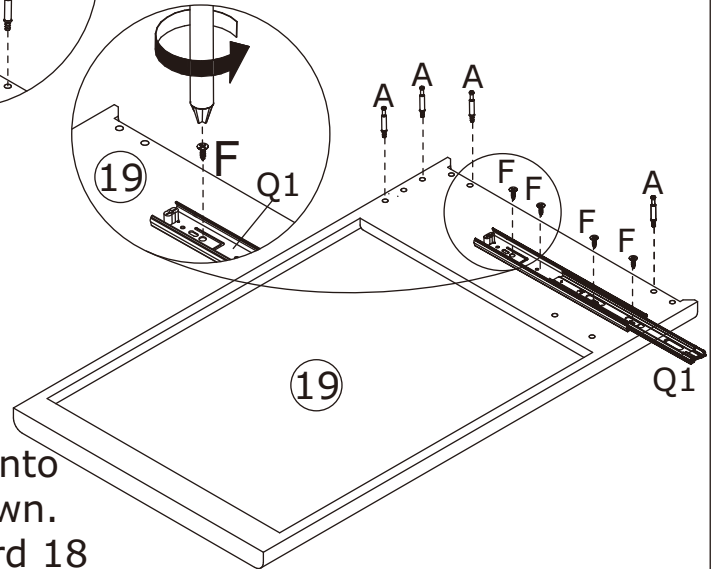
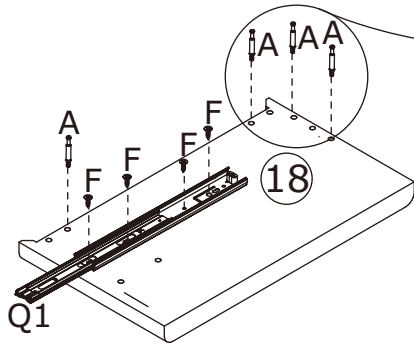
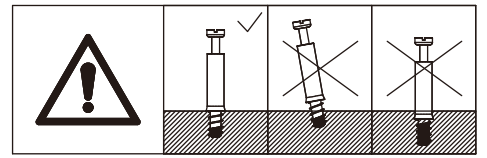
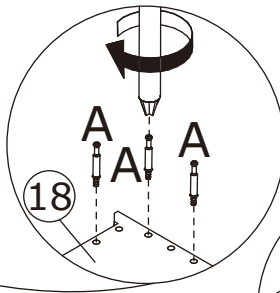
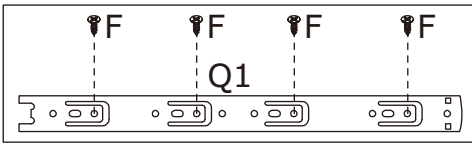
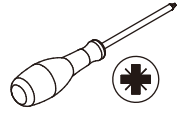
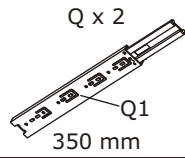
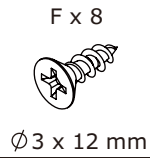
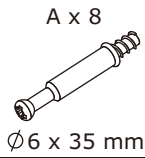


Fix board 27 to board 25, 28 and 26 with screw(U).

Embed board 29 into the part.

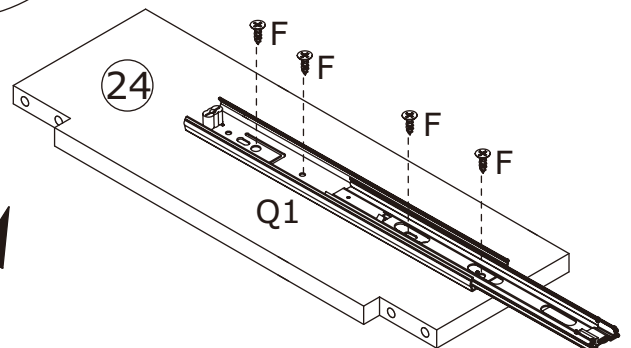
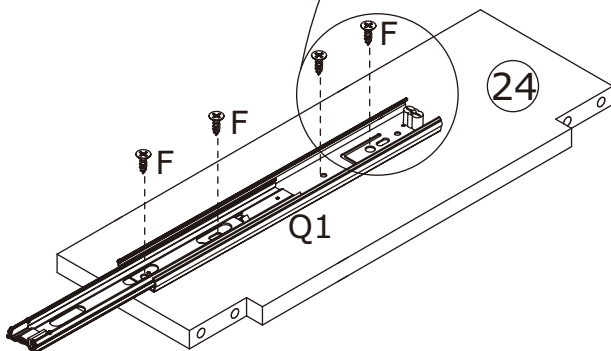
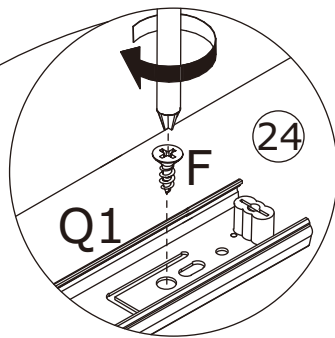
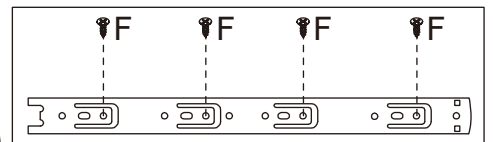
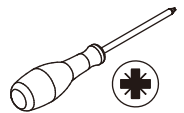
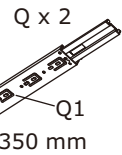
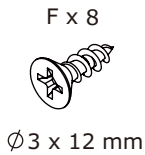


13



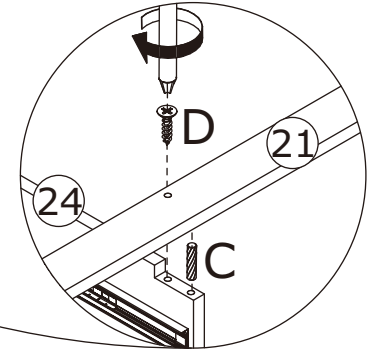
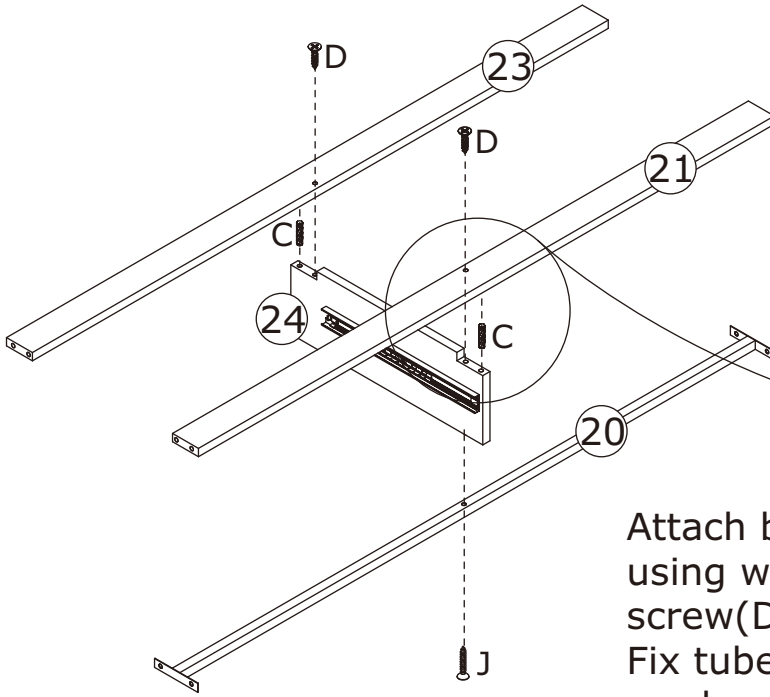
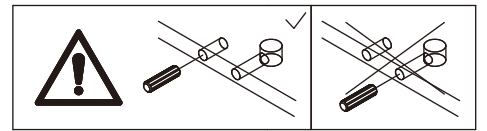
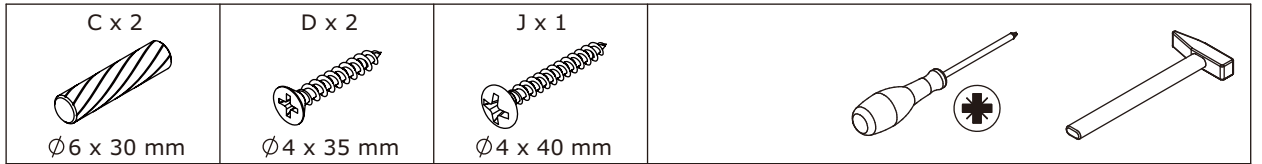
Screw eccentric rod(A) into board 18 and 19 as shown.
 Fix slide rail(Q1) to board 18 and 19 with screw(F) as shown.

14



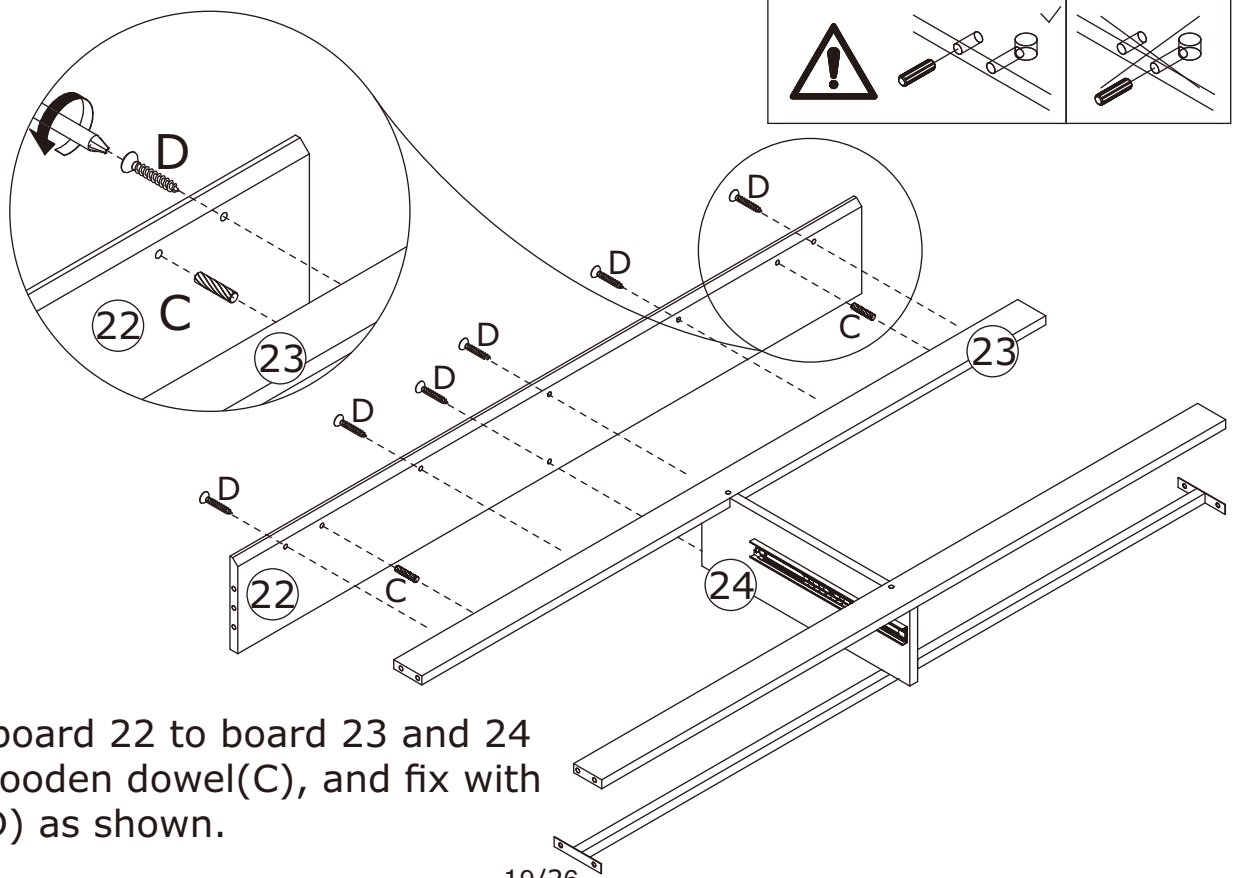
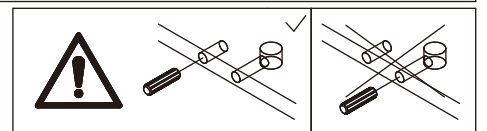
Fix slide rail(Q1) to board 24 with screw(F) at first.
 Flip the board, fix slide rail(Q1) as well.

15



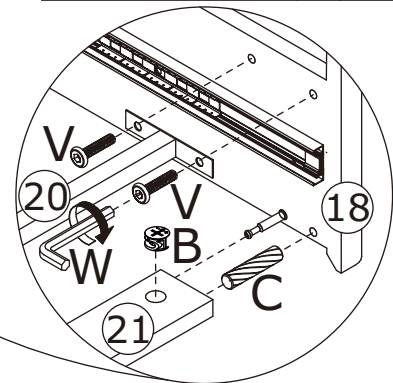
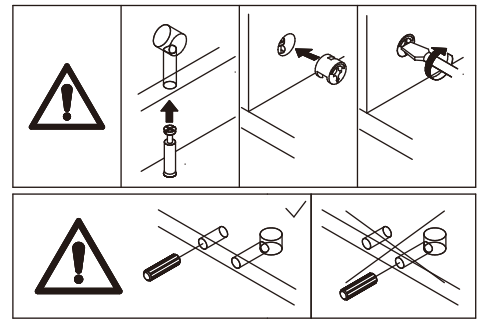
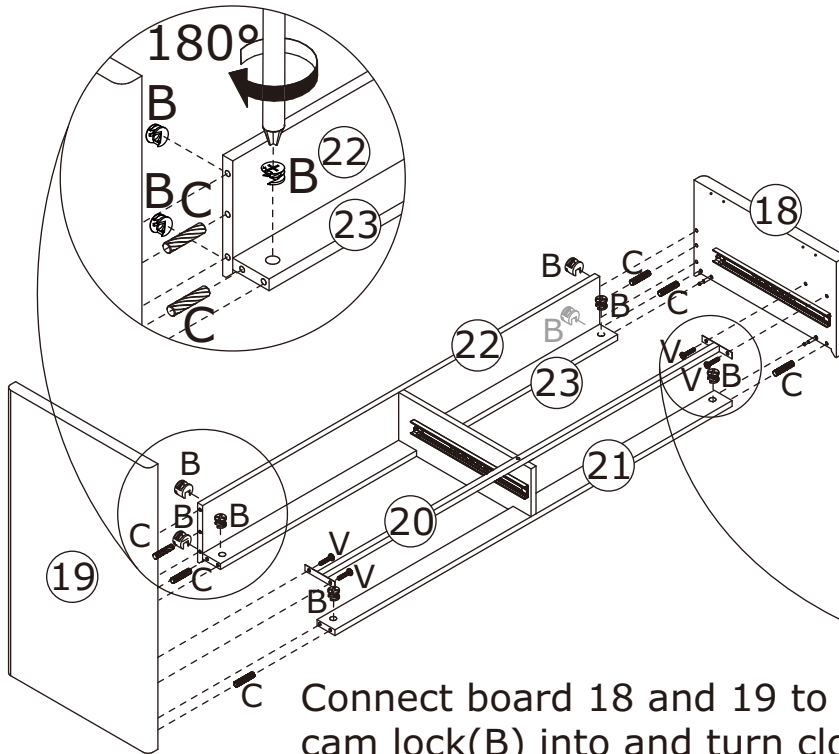
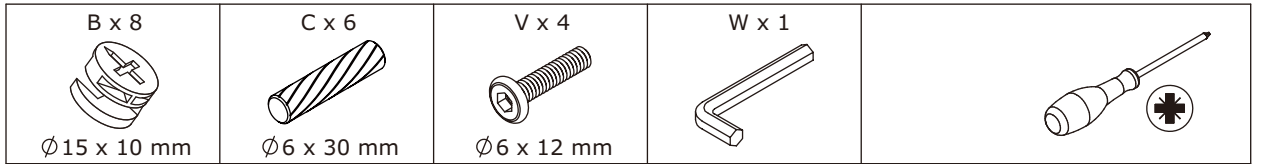
Attach board 21 and 23 to board 24 using wooden dowel(C), and fix with screw(D) as shown.
Fix tube 20 to board 24 with screw(J) as shown.

16



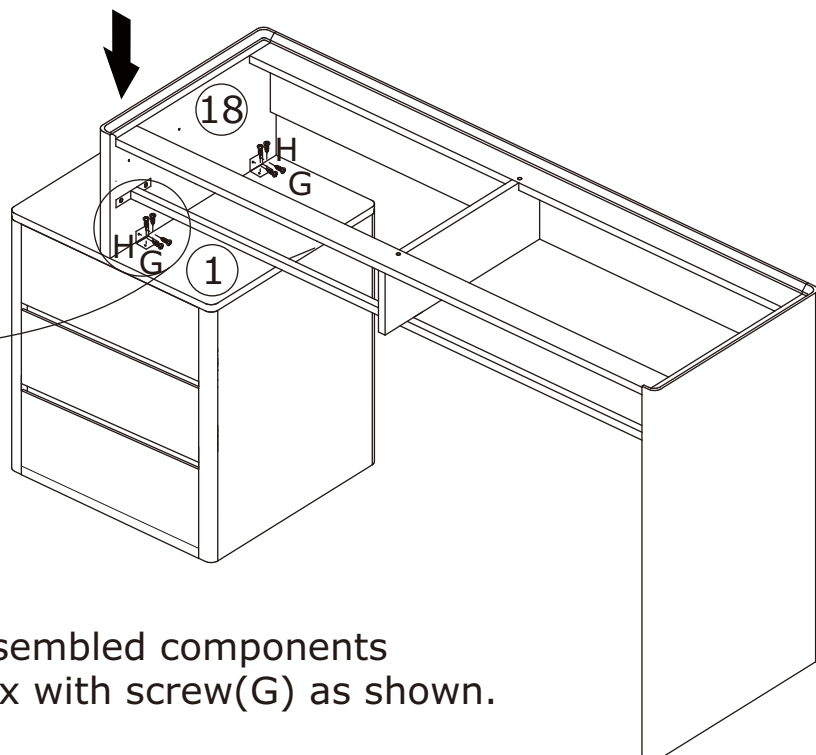
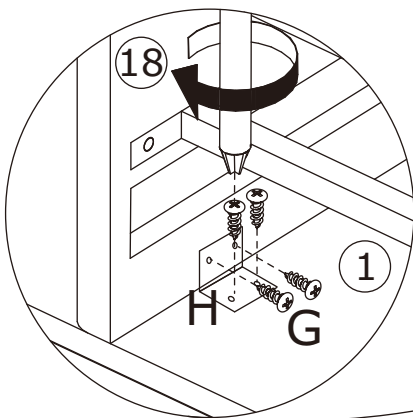
Attach board 22 to board 23 and 24 using wooden dowel(C), and fix with screw(D) as shown.

17



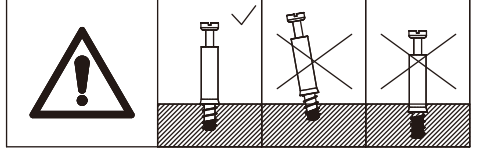
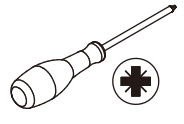
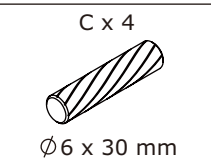
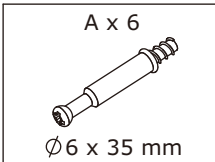
C Connect board 18 and 19 to board 21, 22 and 23, add cam lock(B) into and turn clockwise to tighten as shown. Fix tube 20 to board 18 and 19 with screw(V) as shown.

18

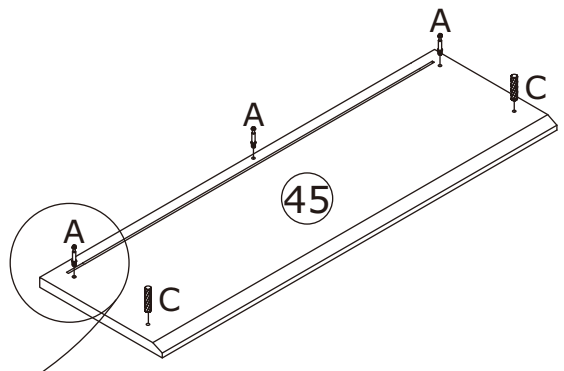
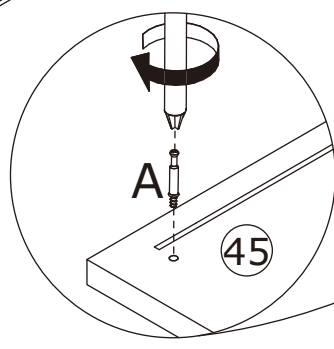
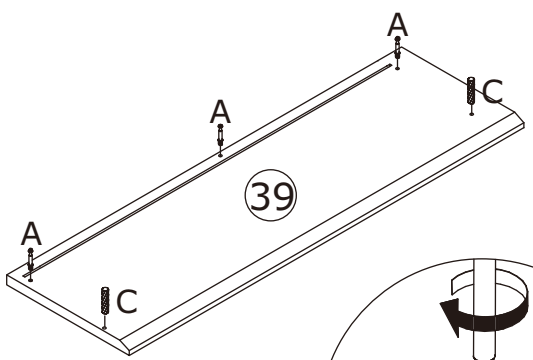


Connect the two assembled components using part(H) and fix with screw(G) as shown.

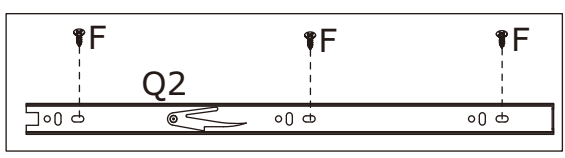
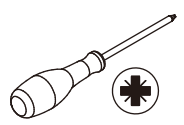
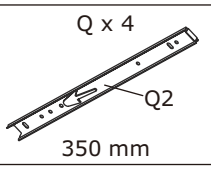
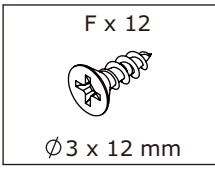
19



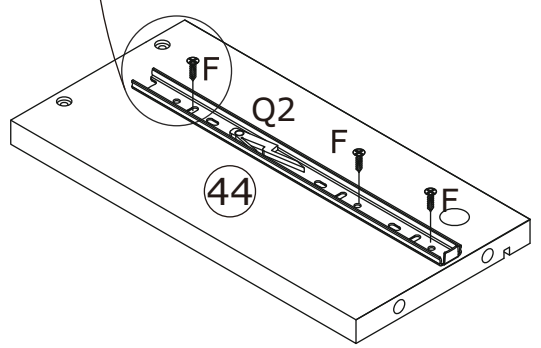
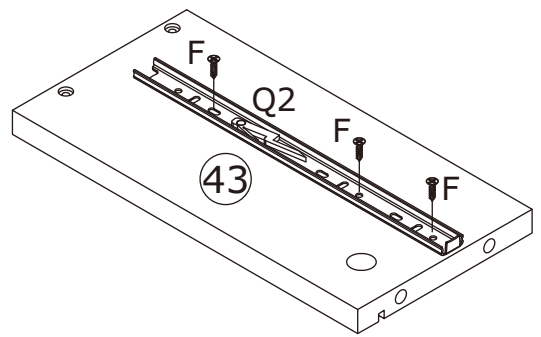
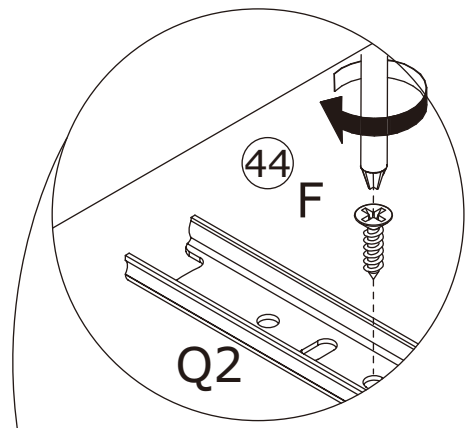
Screw eccentric rod(A) into board 39 and 45 as shown.



20

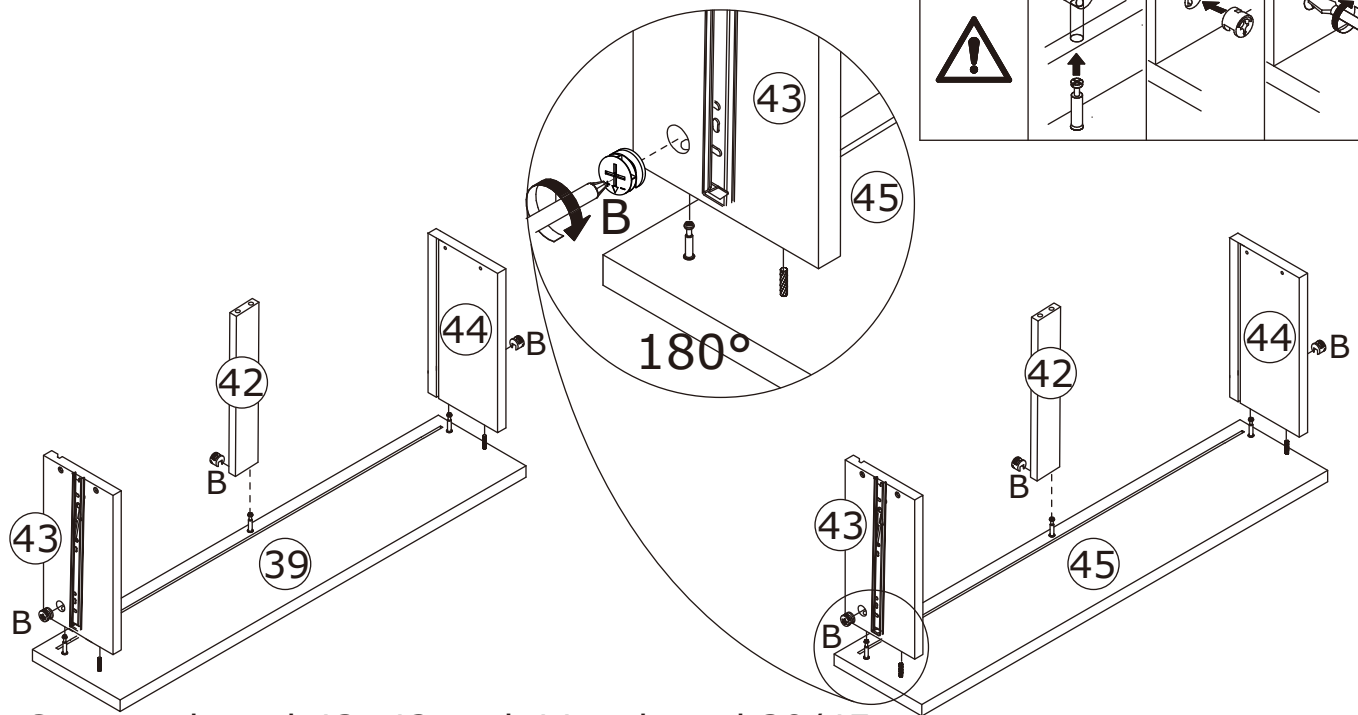
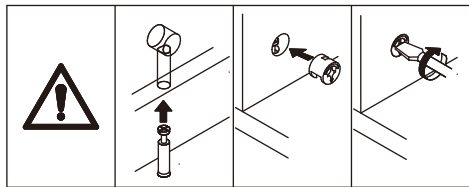
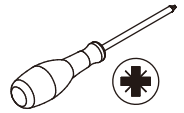
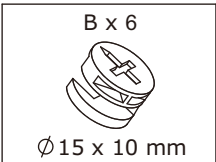


Fix runner(Q2) to board 43 and 44 respectively with screw(F) as shown.



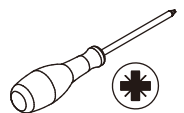
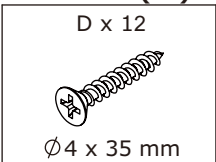
x2

21

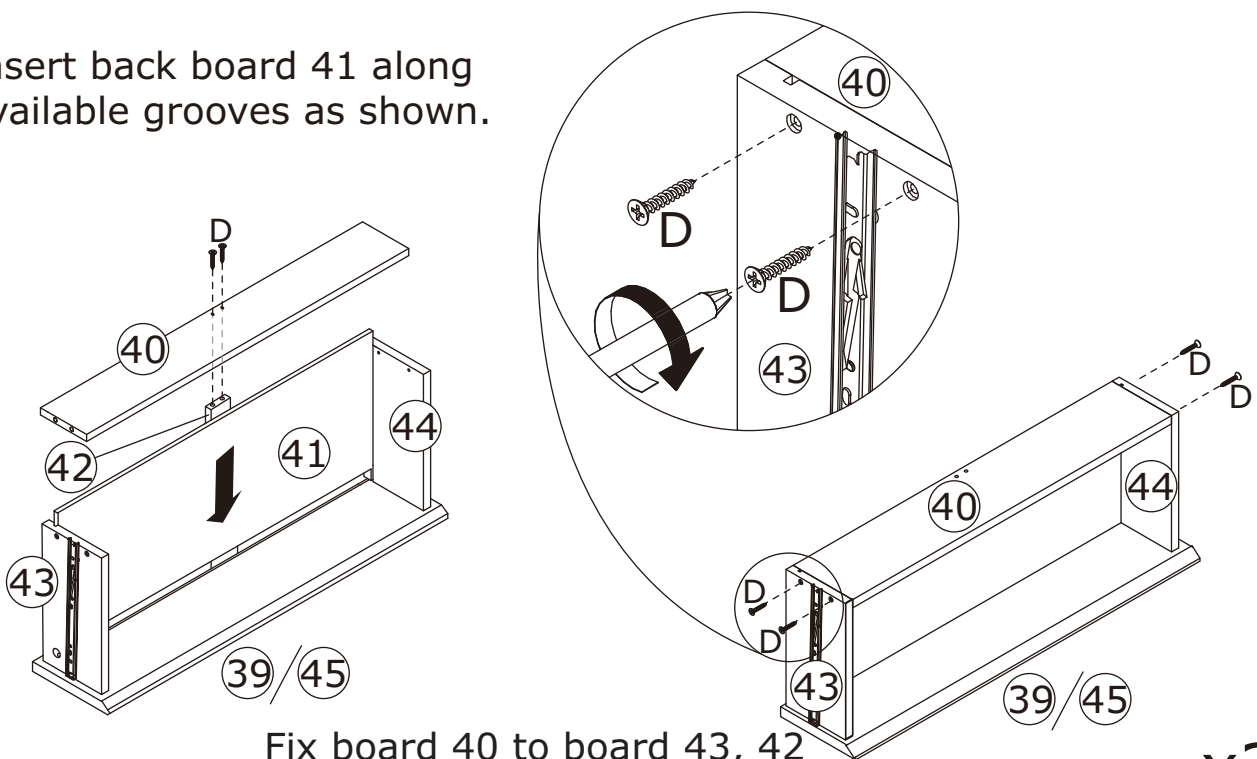


Connect board 43, 42 and 44 to board 39/45, add cam lock(B) into and turn clockwise to tighten as shown.

22



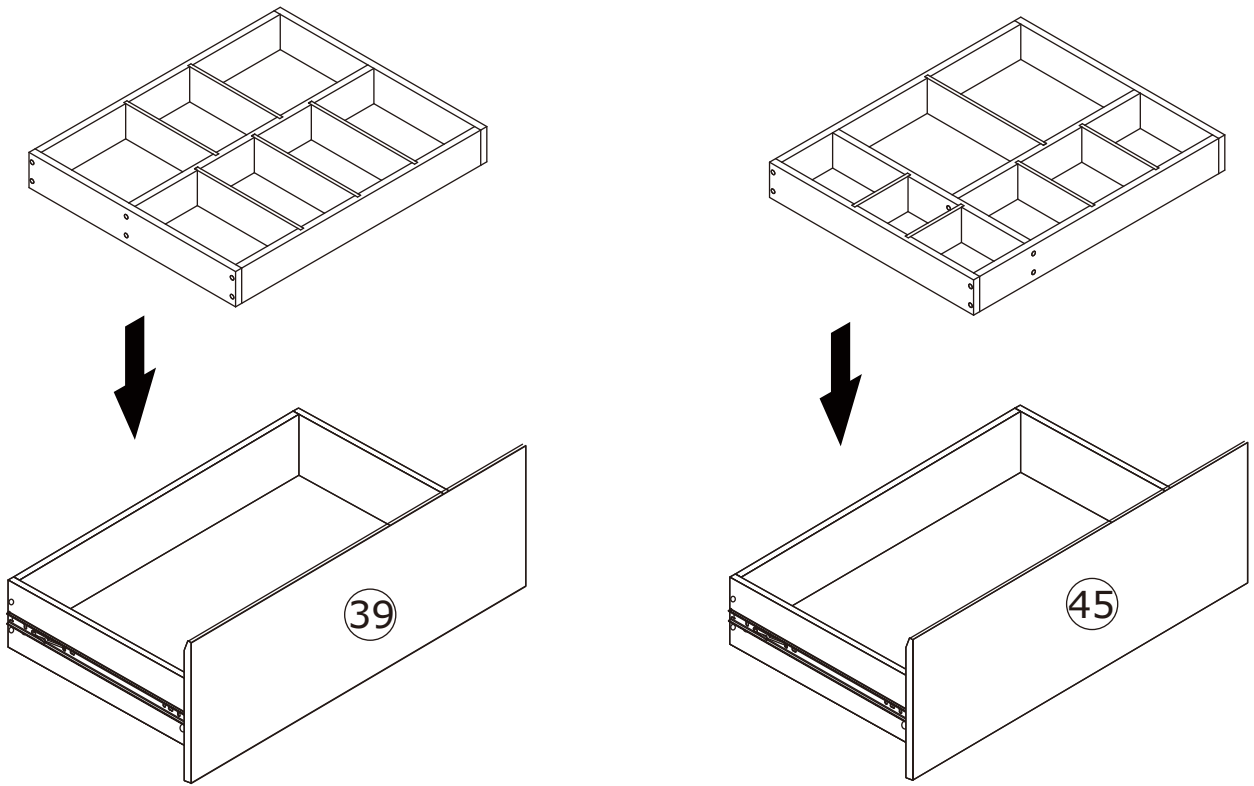
Insert back board 41 along available grooves as shown.



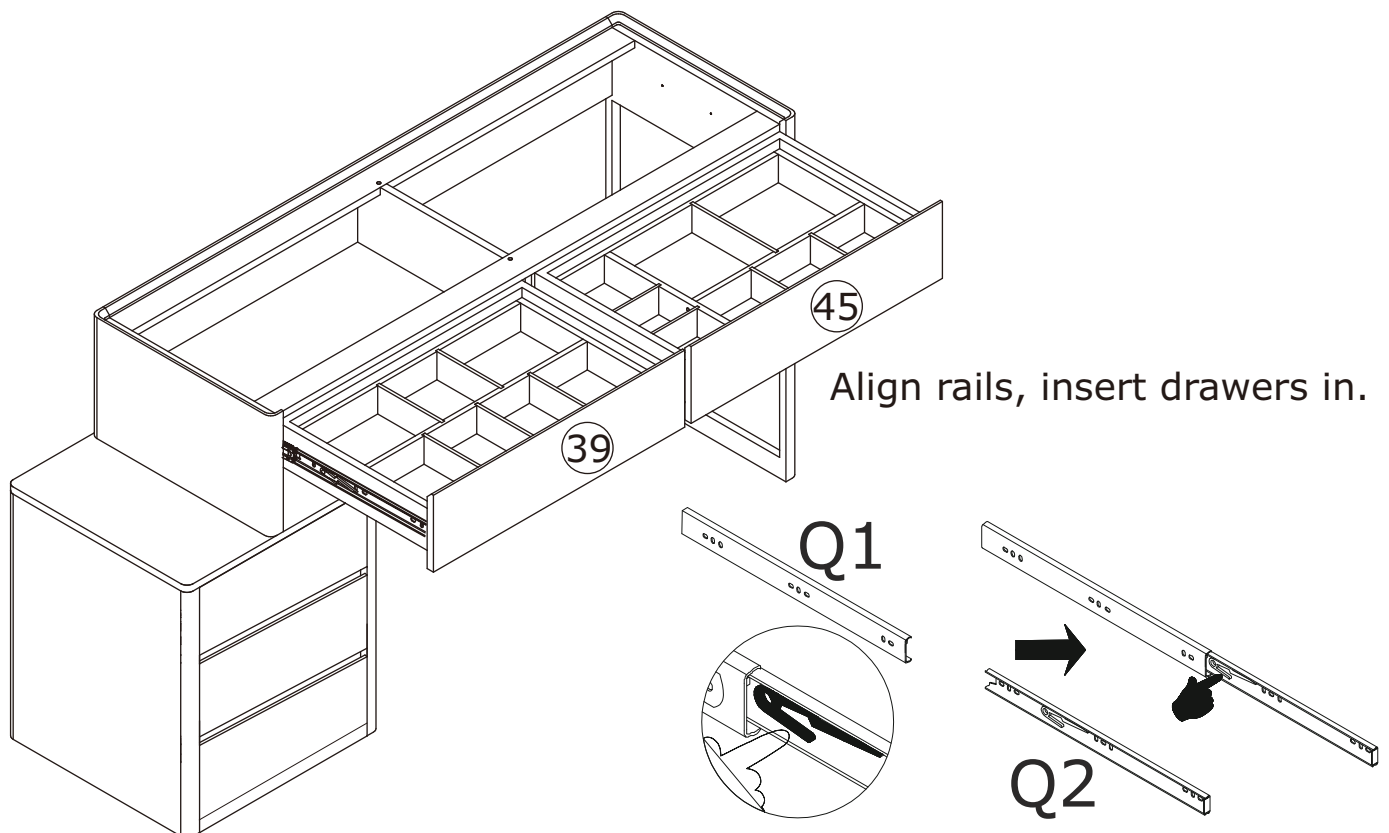
Fix board 40 to board 43, 42 and 44 with screw(D) as shown.

x2

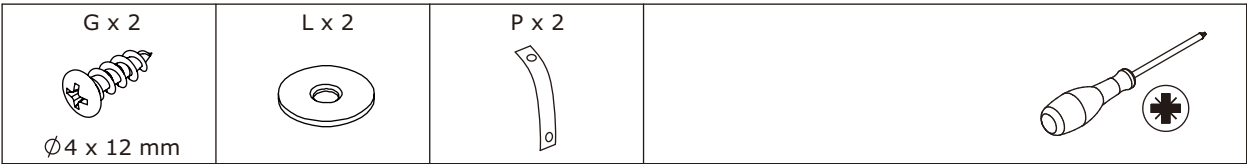
23



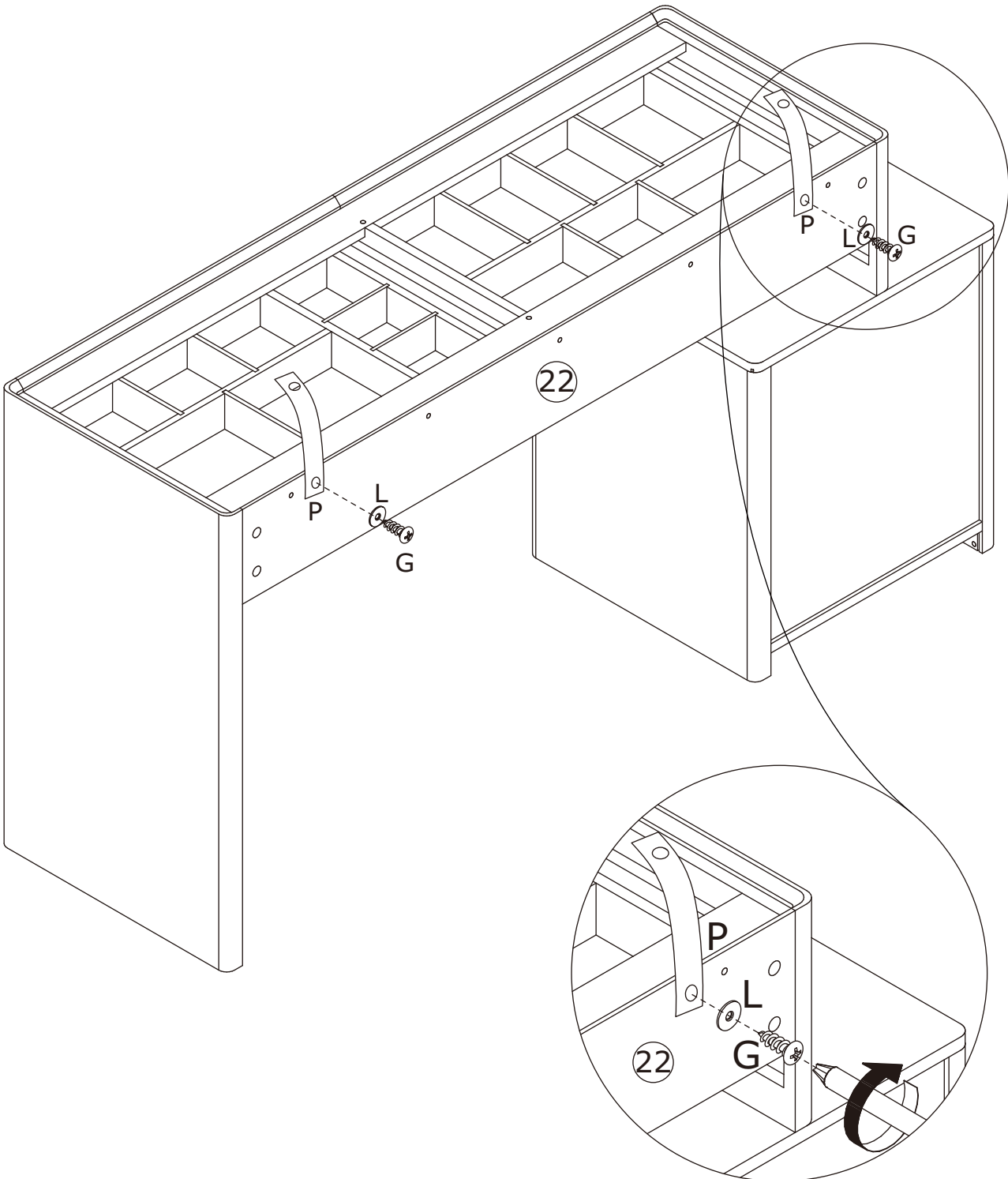
24



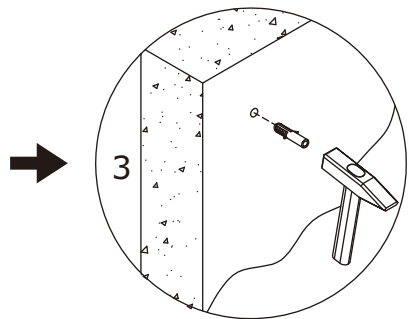
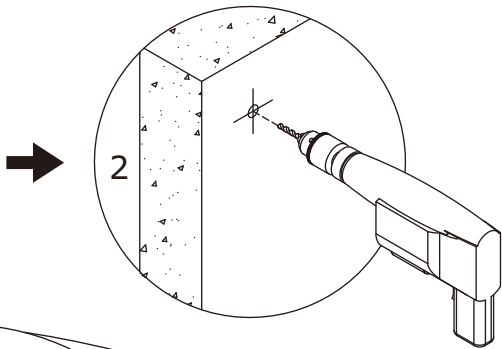
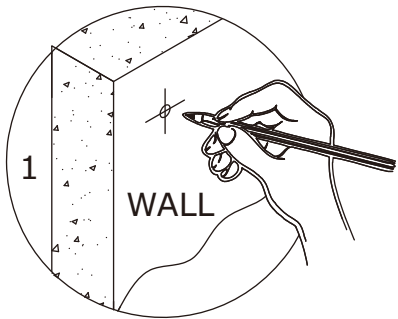
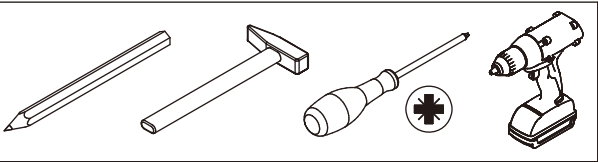
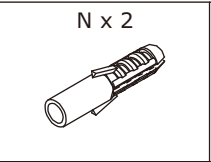
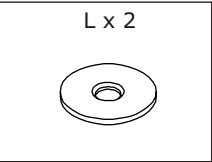
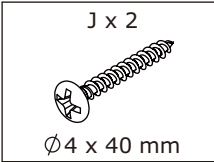
25



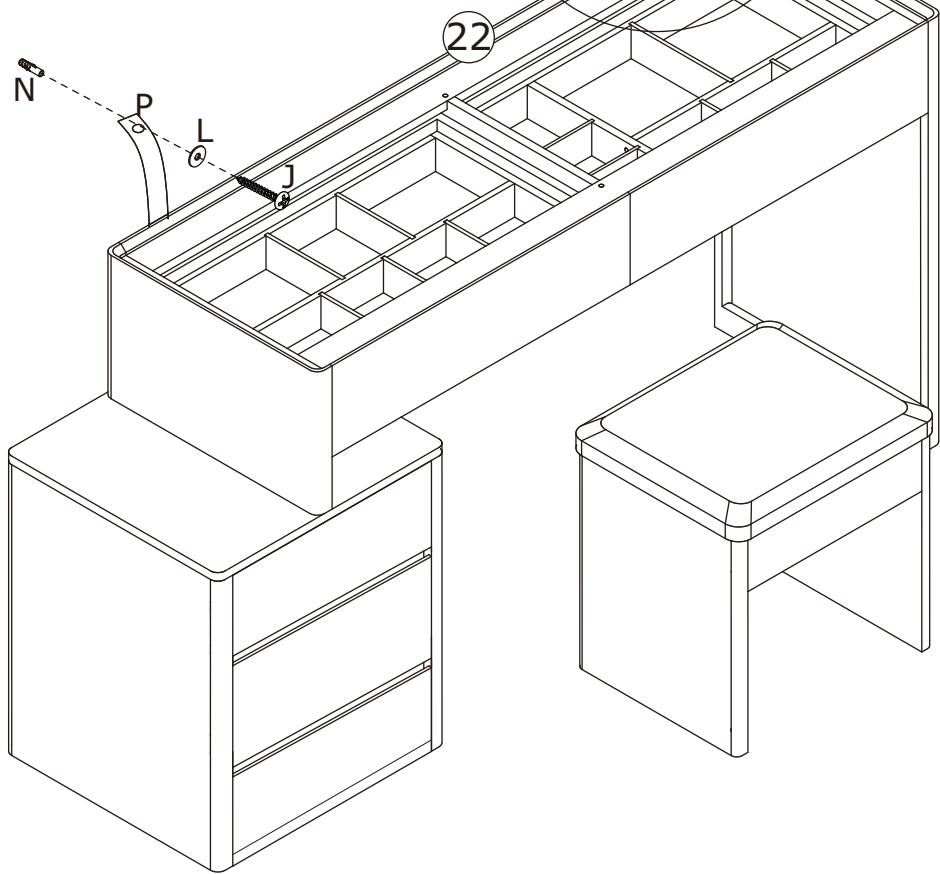
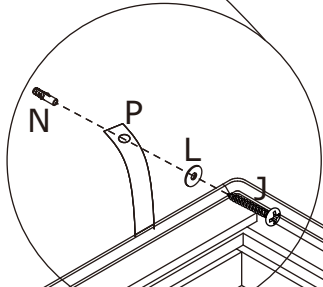
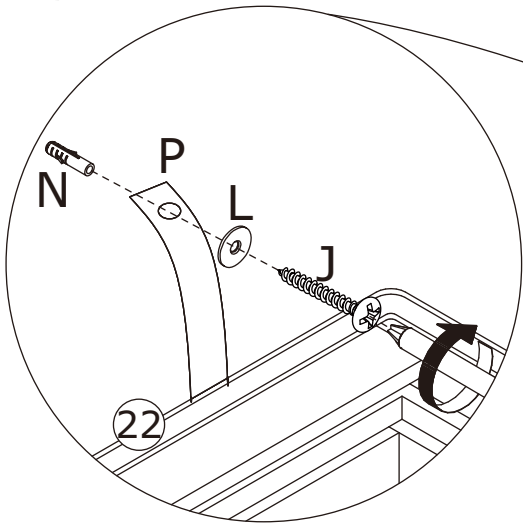
Fix strip(P) to back of board 22 through washer(L) and screw(G) as shown.



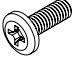

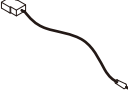
26

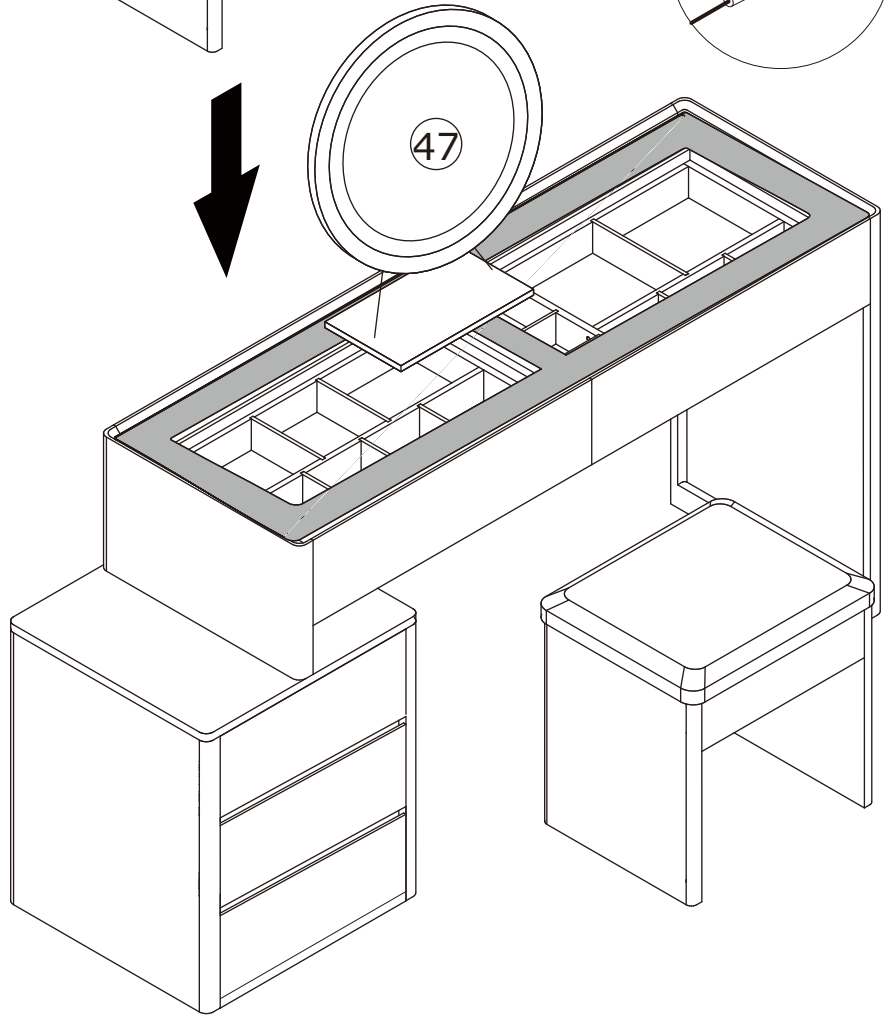
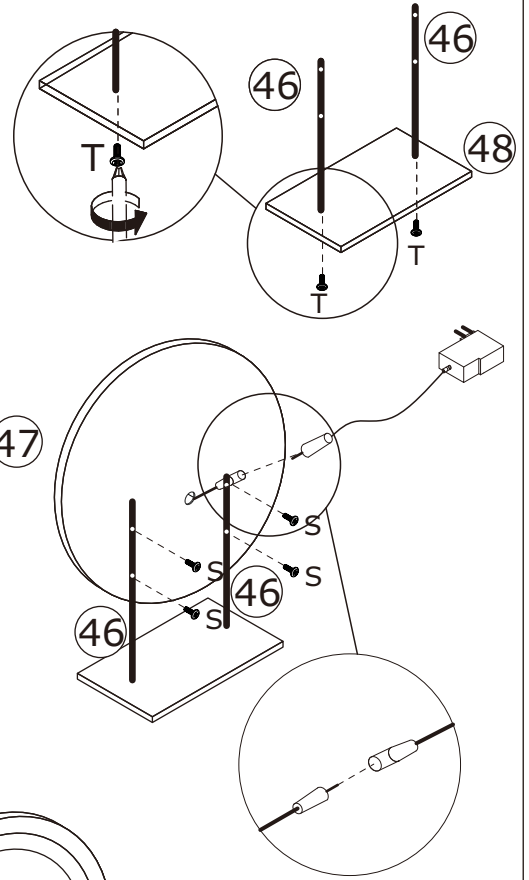
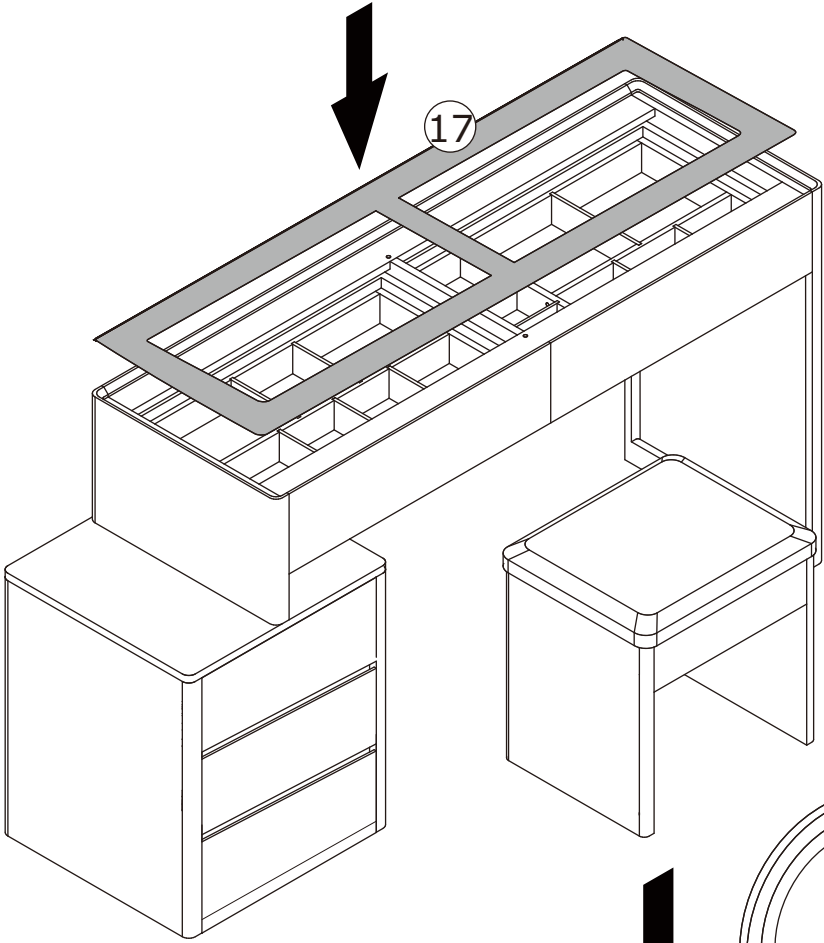


Install anti-tipping device as shown.



27

| | | |
|--|--|--|
| S x 4  Ø6 x 25 mm | T x 2  Ø6 x 35 mm | U x 1  |
|--|--|--|



WARRANTY

WARRANTY CLAIMS

- There is a 30-day warranty for broken furniture or any other problems that do not work properly. The warranty will start from the date of purchase which must be verified by proof of purchase.
- Before making a claim, we may be able to answer your query, simply call us. Please leave your purchase order number, along with some details of the problem, if you want a replacement part. We will arrange within 48 hours. If there is out of stock, we will reply with a shipping date.
- The product must be used in accordance with the instructions provided. For health reasons.
- For other reasons, if the furniture needs to be returned, it must be cleaned and dried and operated within 30 days of receipt.

Type of Warranty Claim

- Failure to follow the furniture instructions will invalidate the warranty. Attention please.
- Does not include damage during installation, but includes damage during transportation.

Scope of responsibility

- Shall not bear any responsibility for misuse or user damage and / or loss of parts during the installation of furniture.
- After using, the damage and scratches of the furniture are not covered by the warranty.

The Warranty Relates to All Bought in The Us and Covers The Following Areas

- Sheet parts: 1 month from the date of purchase.
- Electrical parts: 1 month from the date of purchase.