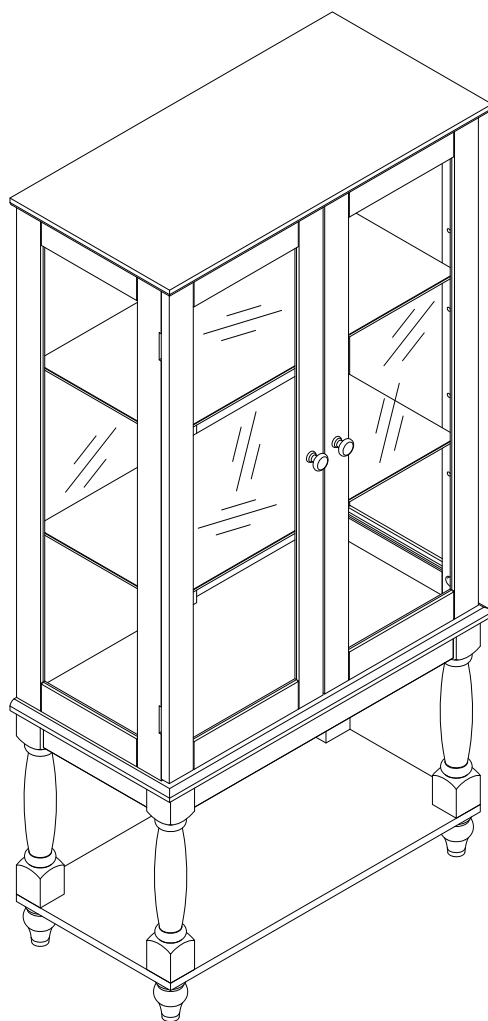
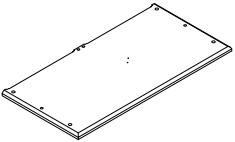
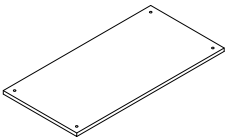
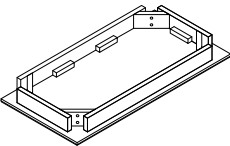
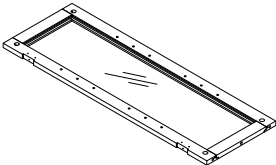
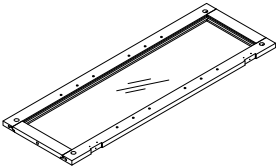


ASSEMBLY INSTRUCTION


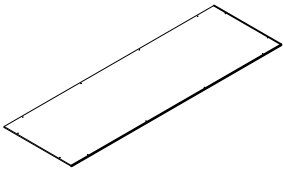
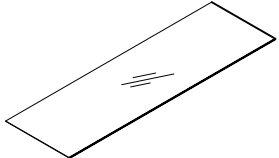

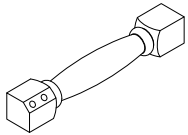


ASSEMBLY INSTRUCTION

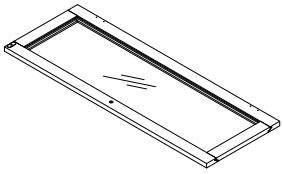
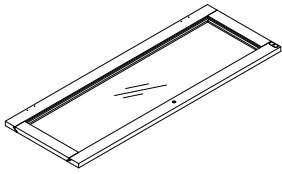
Part List:

ITEM	DESCRIPTION	PART	QTY
1	Top panel		1
2	Middle bottom shelf		1
3	Bottom panel		1
4	Left side panel		1
5	Right side panel		1

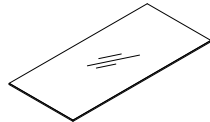
Part List:

ITEM	DESCRIPTION	PART	QTY
6	Back bracing panel		1
7	Back panel		2
8	Back mirrors		2
9	Leg		4
10	Middle leg		4



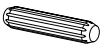





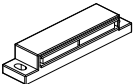
Part List:

ITEM	DESCRIPTION	PART	QTY
11	Left door		1
12	Right door		1


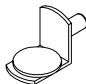








Part List:

ITEM	DESCRIPTION	PART	QTY
13	Glass shelf		2

Hardware List:

ITEM	DESCRIPTION	PART	QTY
A	Cam Bolt		8
B	Cam Lock		8
C	Wooden dowel	 Ø8*30mm	8
D	Bolt	 Ø1/4"*2"	8
E	Flat washer		9
F	Spring washer		8
G	Handle		2
H	Machine screw	 Ø5/32"*3/4"	2
I	Magnet		1

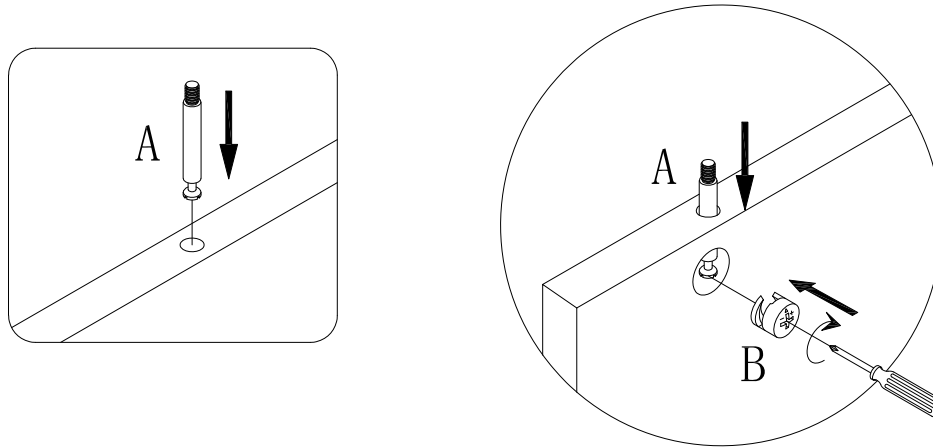
Hardware List:

ITEM	DESCRIPTION	PART	QTY
J	Round Head Screw	 Ø3*14mm	2
K	Shelf support		8
L	Back screw	 Ø3*12mm	24
M	Hinge		4
N	Wood screw	 Ø3*12mm	22
O	Lamp unit		1
P	Safety wall strap		1
Q	Plastic anchor		1
R	Mounting screw	 Ø4*30mm	1
S	Allen wrench		1

ASSEMBLY INSTRUCTION

- * Required screwdriver & mallet, not included.
- * Before discarding packing materials, please check to make sure that all parts and hardware is present.
- * Two people needed for assembly.
- * Please follow the instructions closely; do not over tighten screws or bolts unless instructed.
- * Caution: If using a power drill or power screwdriver for screwing, please be aware to slow down and stop when screw is tight. Failure to do so may result in stripping the screw.

Guideline For Assembling of Cam Lock(A & B)








Screw camlock bolt (A) to wood part.

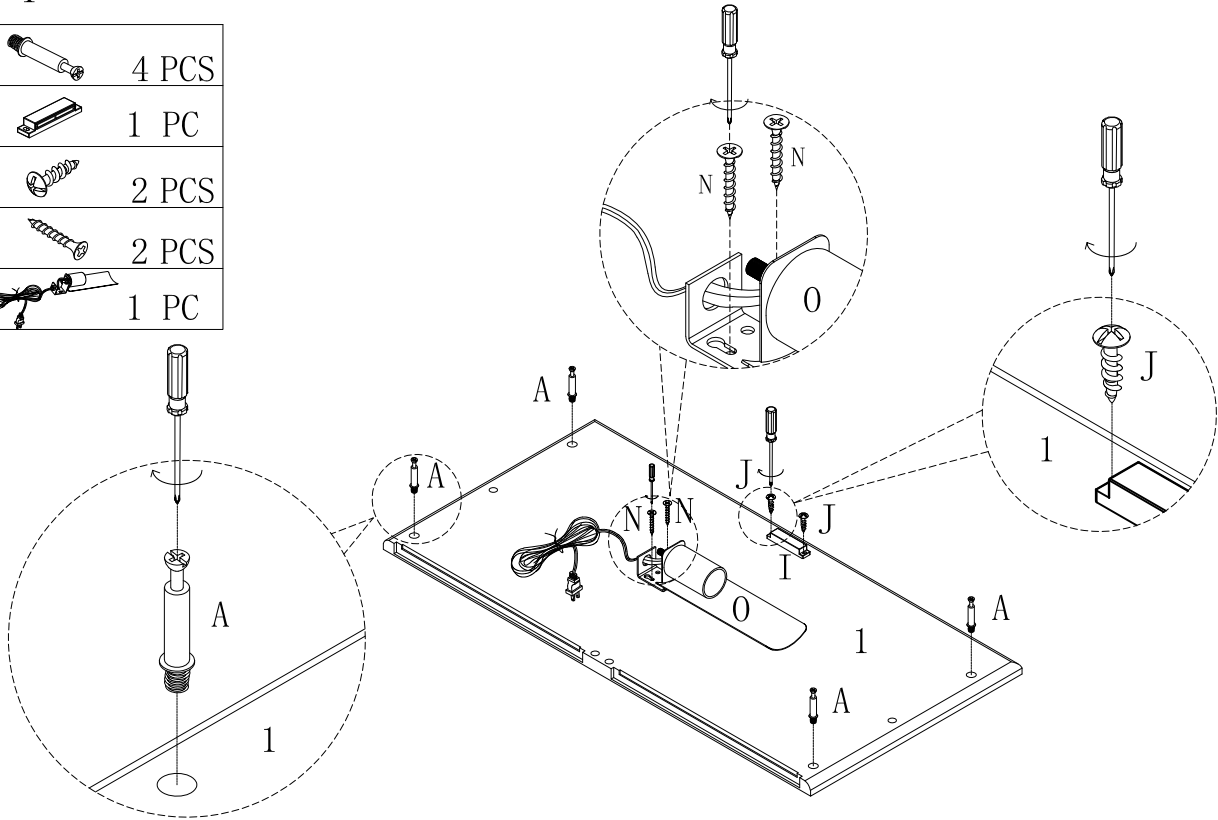
Do not assemble camlock (B) unless instructed.

To assemble camlock (B), ensure long side of the + is facing the bolt (A) before inserting into hole.


ASSEMBLY INSTRUCTION

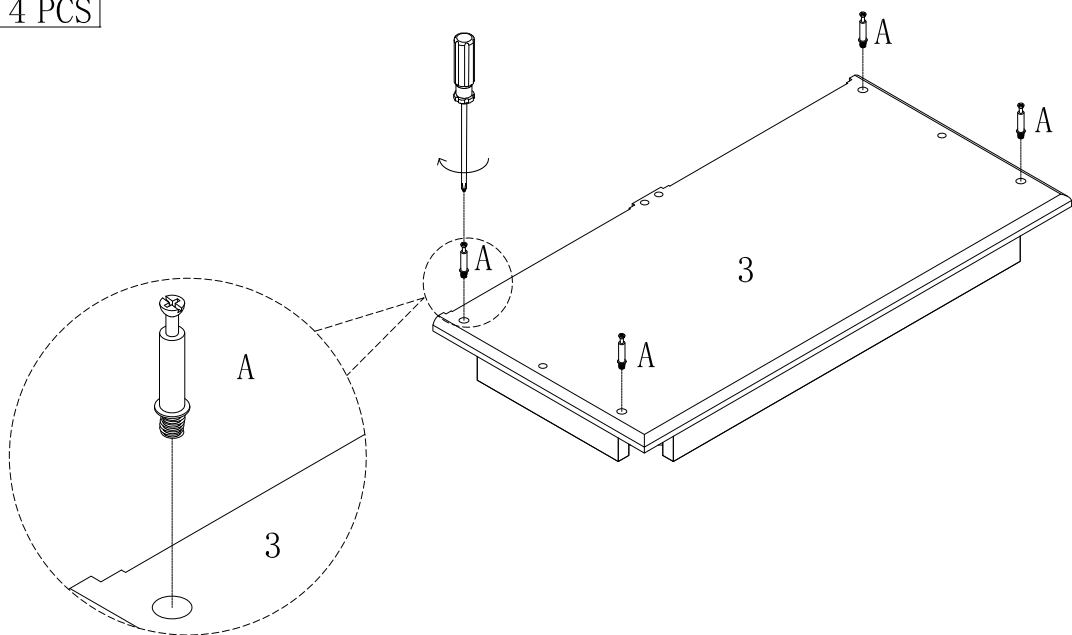
STEP 1

A:		4 PCS
I:		1 PC
J:		2 PCS
N:		2 PCS
O:		1 PC





STEP 2

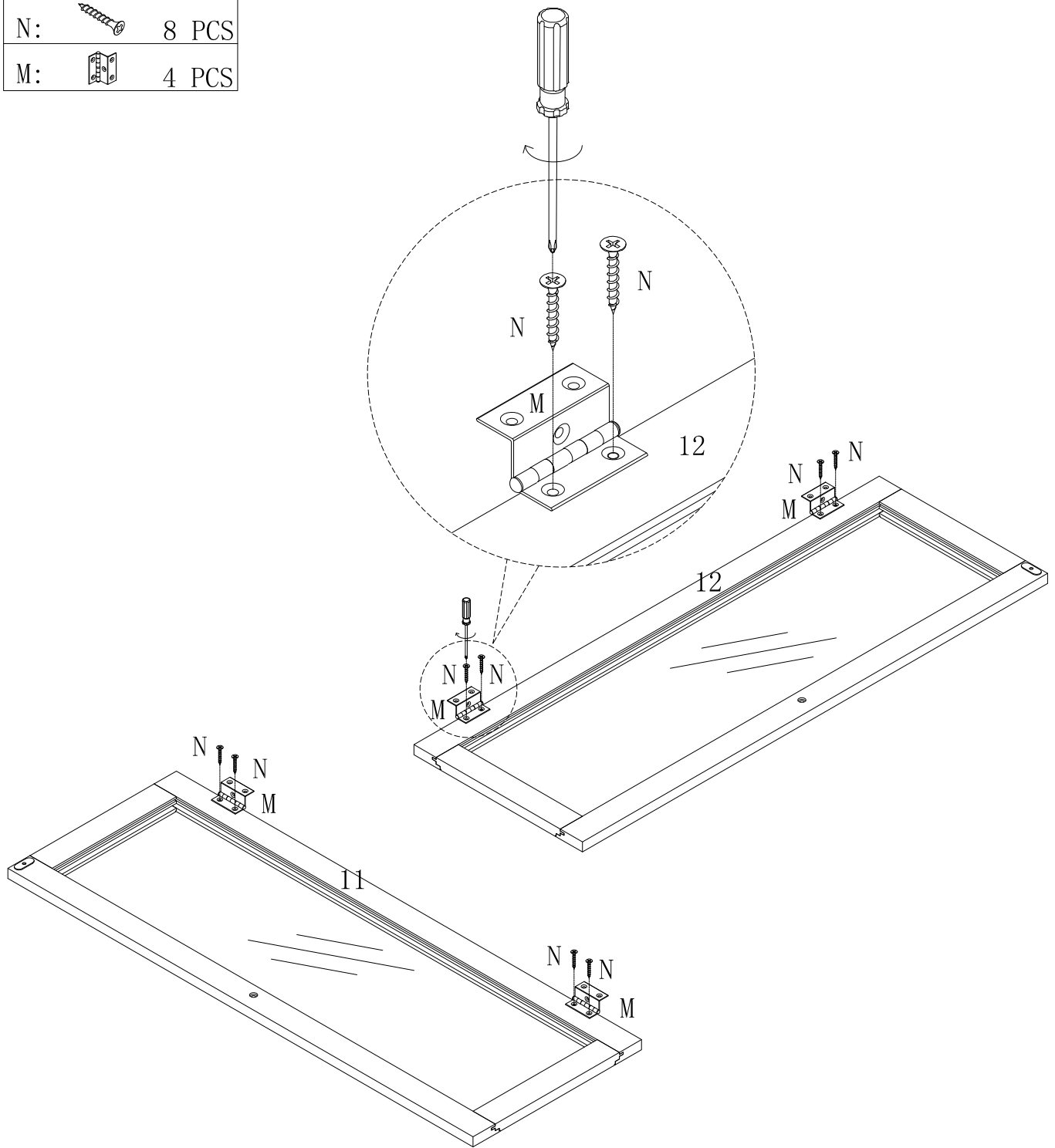
A:		4 PCS
----	---	-------



ASSEMBLY INSTRUCTION





STEP 3

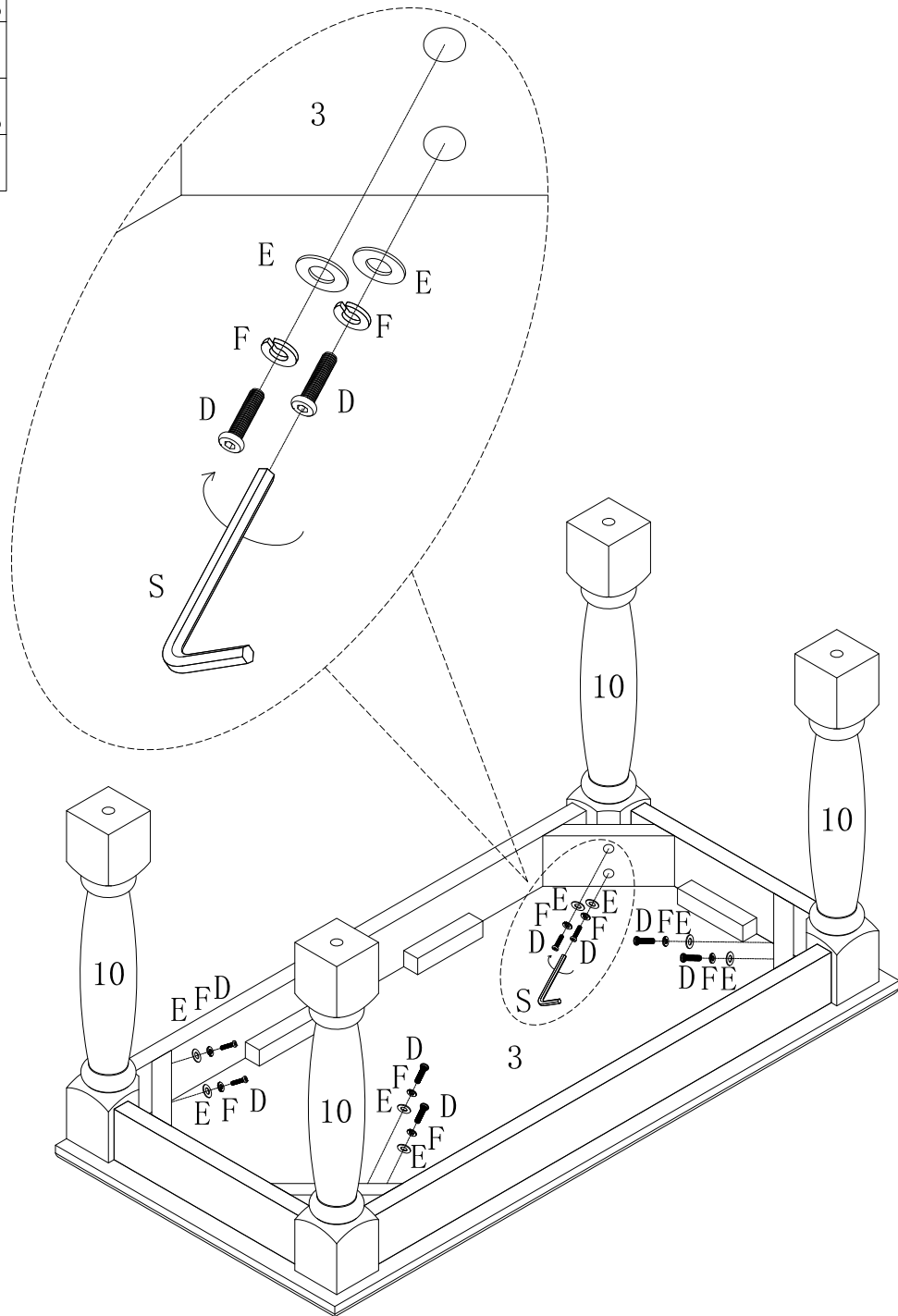
N:		8 PCS
M:		4 PCS



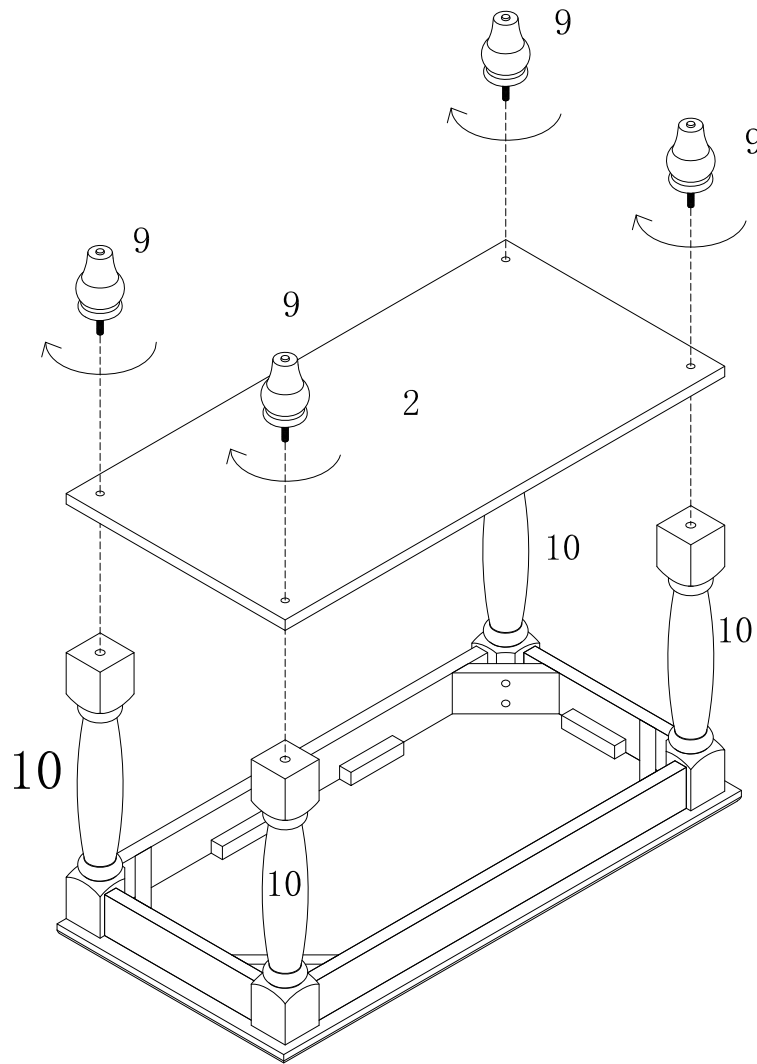
ASSEMBLY INSTRUCTION

STEP 4

D:		8 PCS
E:		8 PCS
F:		8 PCS
S:		1 PC





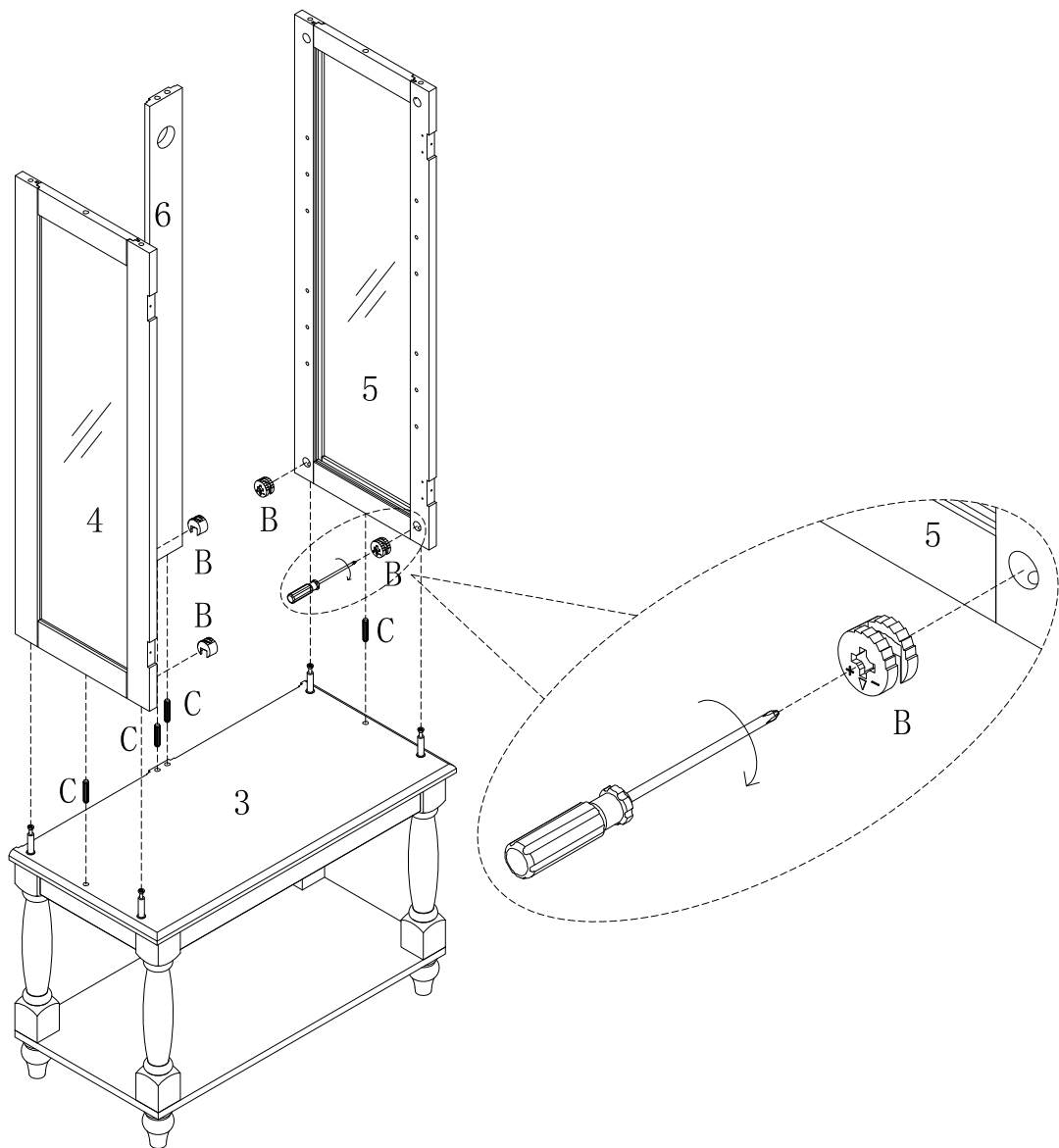
STEP 5



ASSEMBLY INSTRUCTION



STEP 6

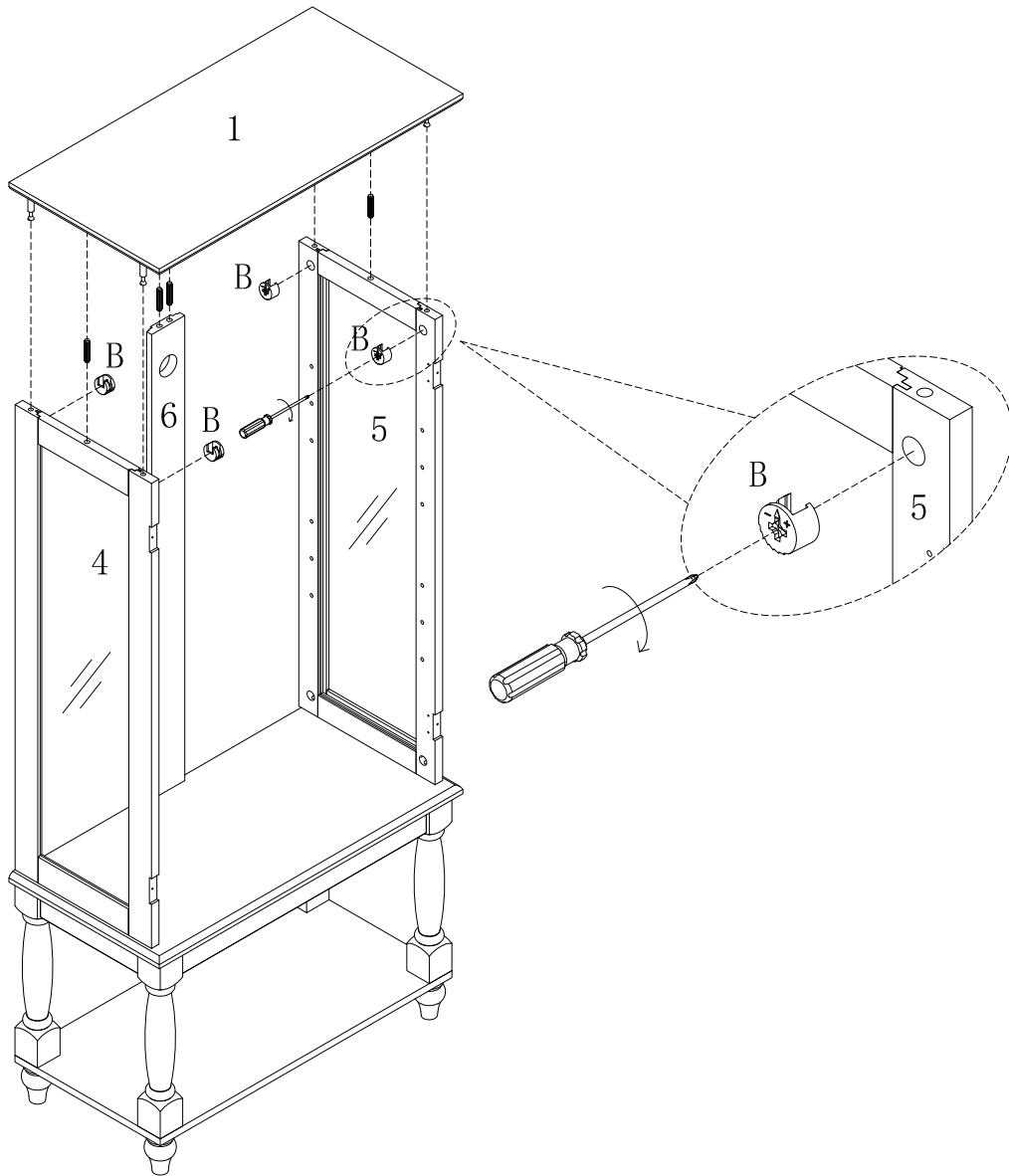
B:		4 PCS
C:		4 PCS



ASSEMBLY INSTRUCTION



STEP 7

B:		4 PCS
C:		4 PCS

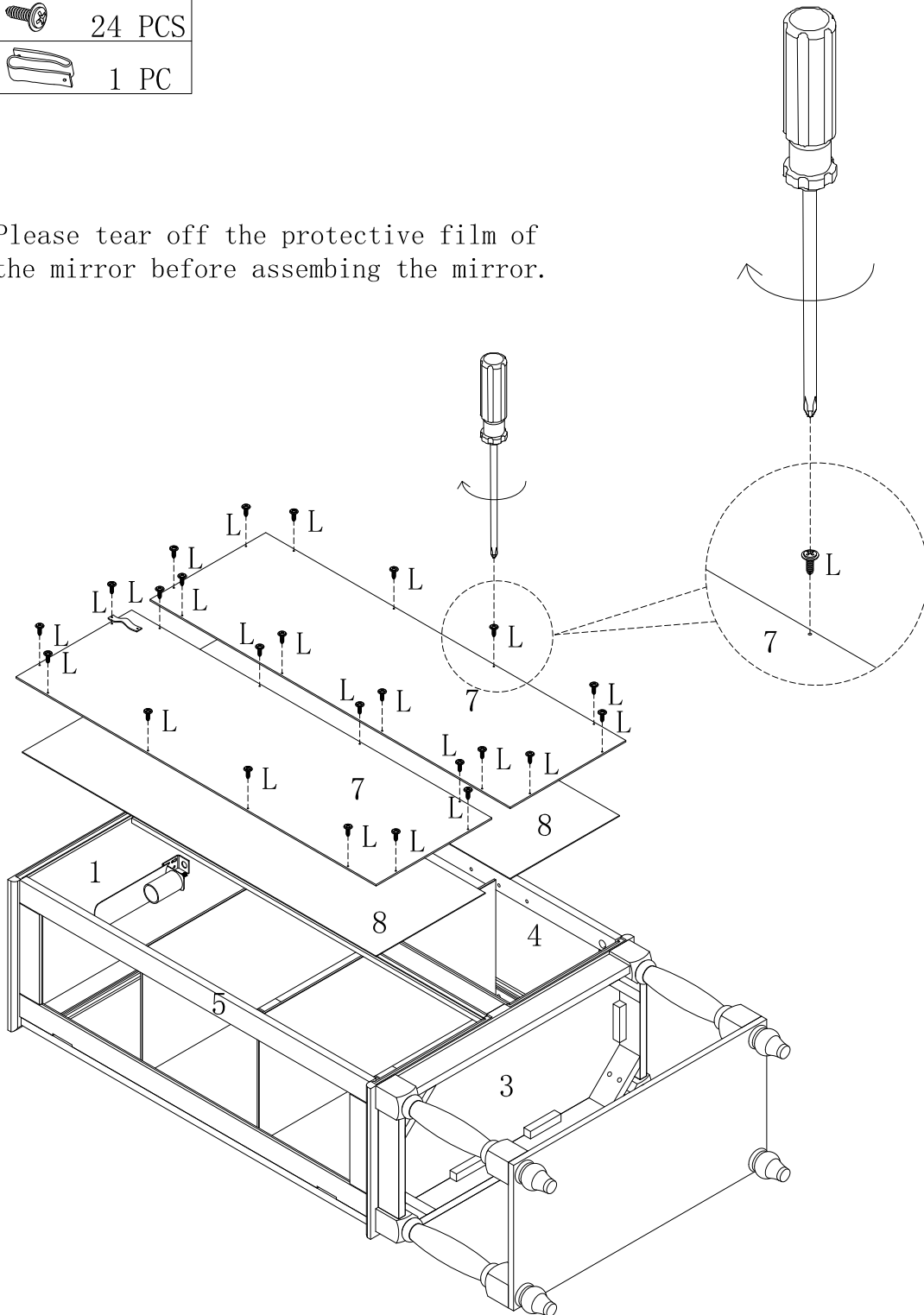


ASSEMBLY INSTRUCTION

STEP 8




L:		24 PCS
P:		1 PC

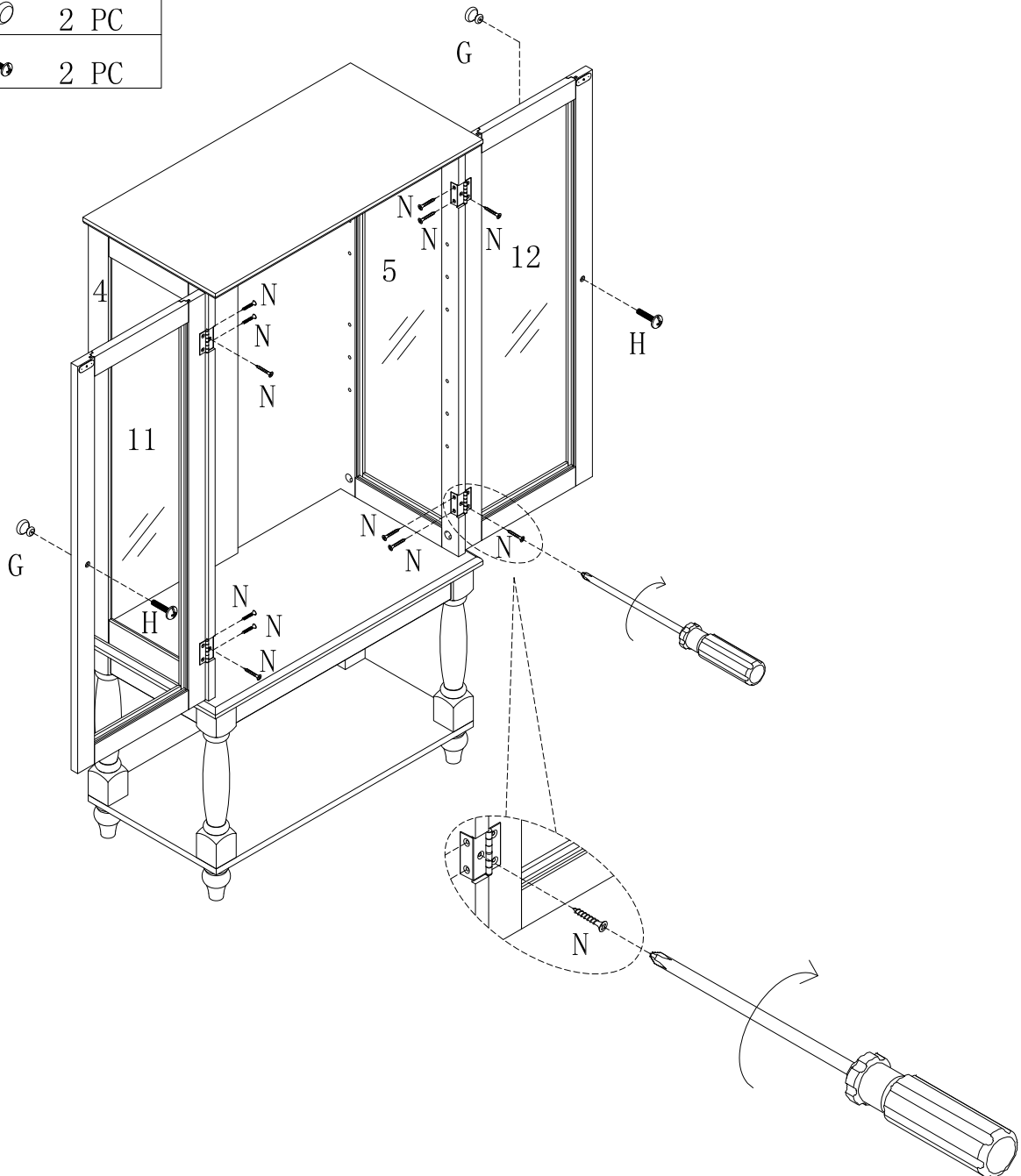
Please tear off the protective film of the mirror before assembling the mirror.



ASSEMBLY INSTRUCTION


STEP 9

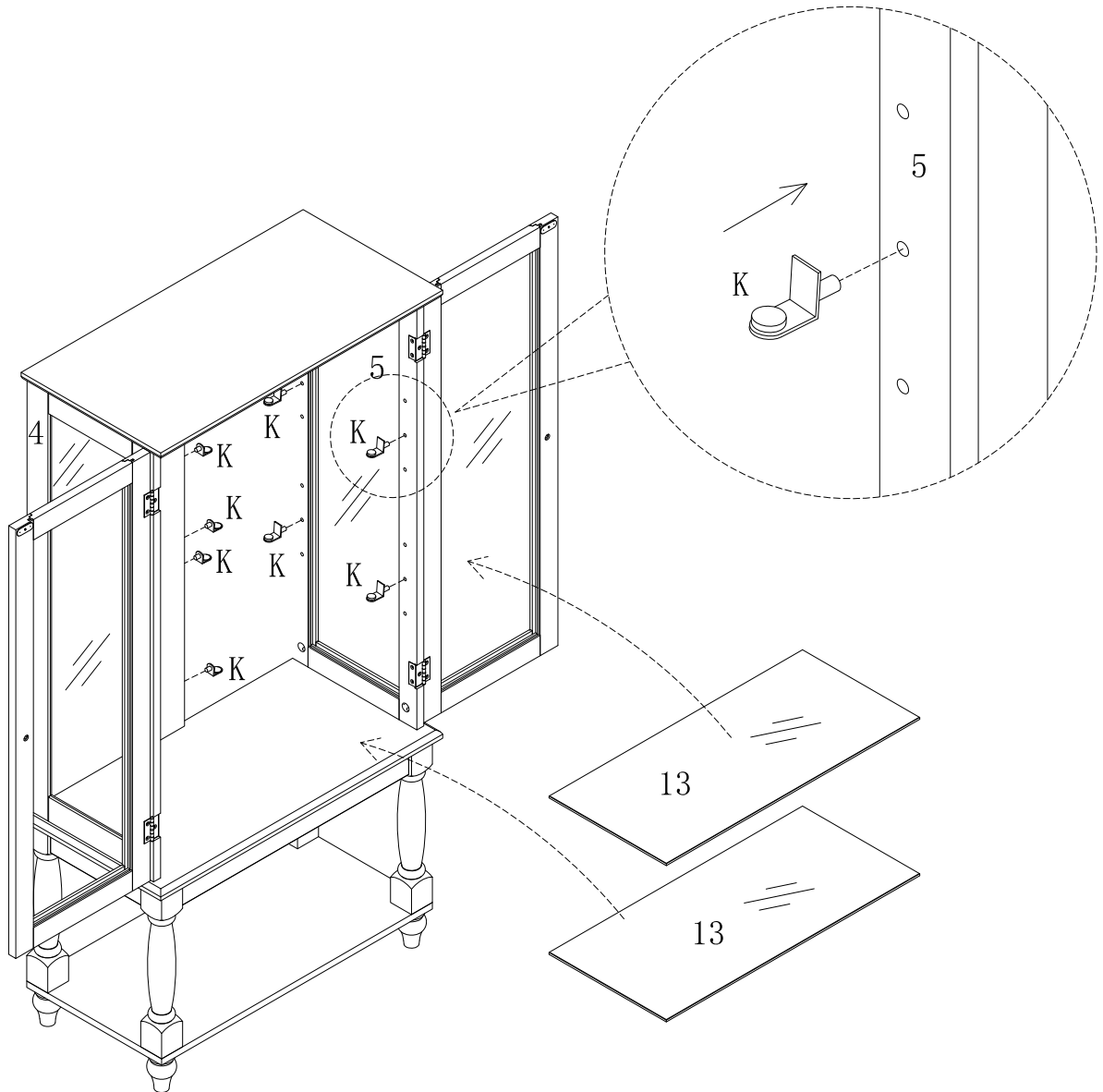
N:		12 PCS
G:		2 PC
H:		2 PC






ASSEMBLY INSTRUCTION

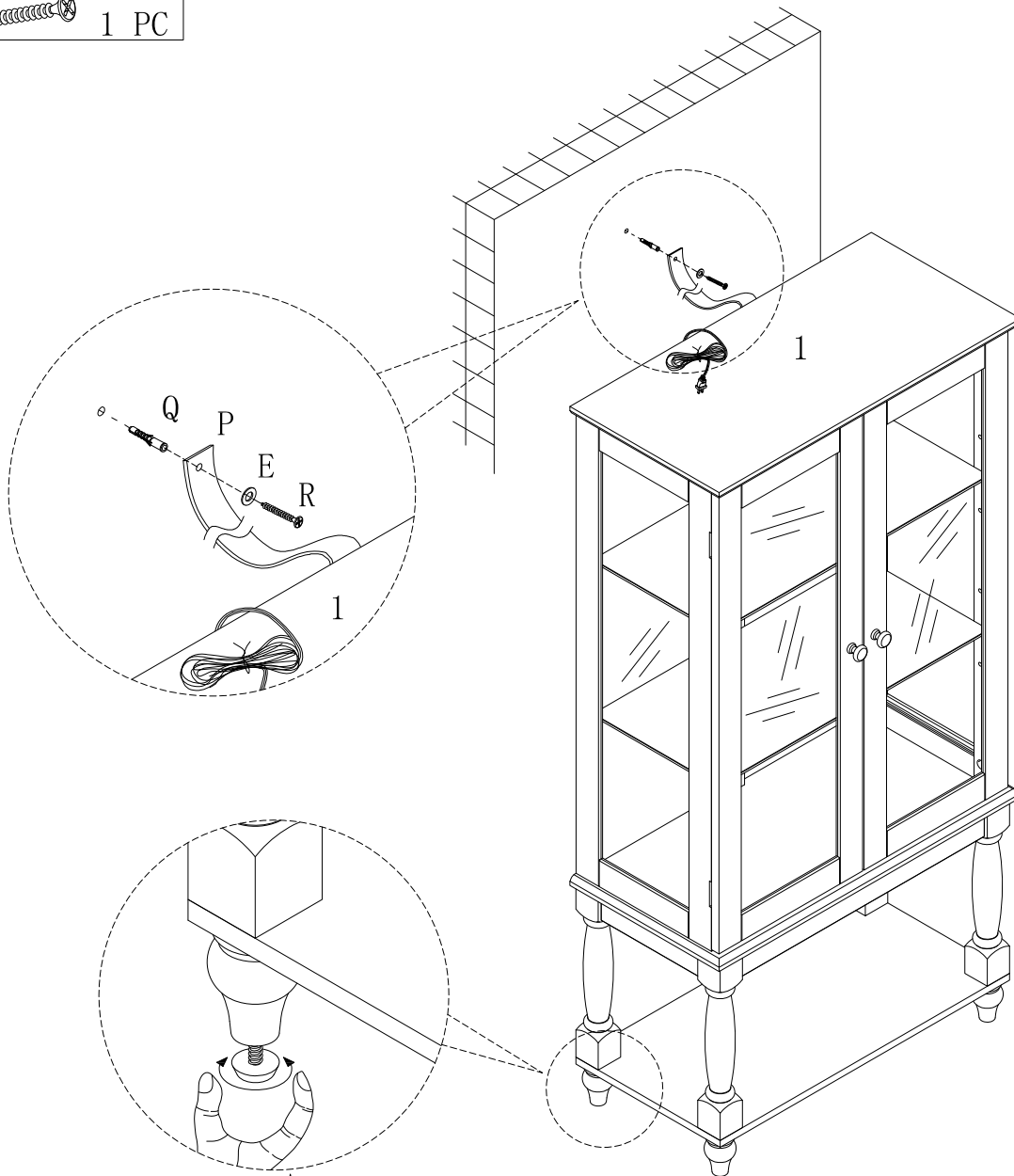
STEP 10

K:  8 PCS



STEP 11

E:		1 PC
Q:		1 PC
R:		1 PC



After installation, adjust the adjustable foot to keep the cabinet balanced and align the door.