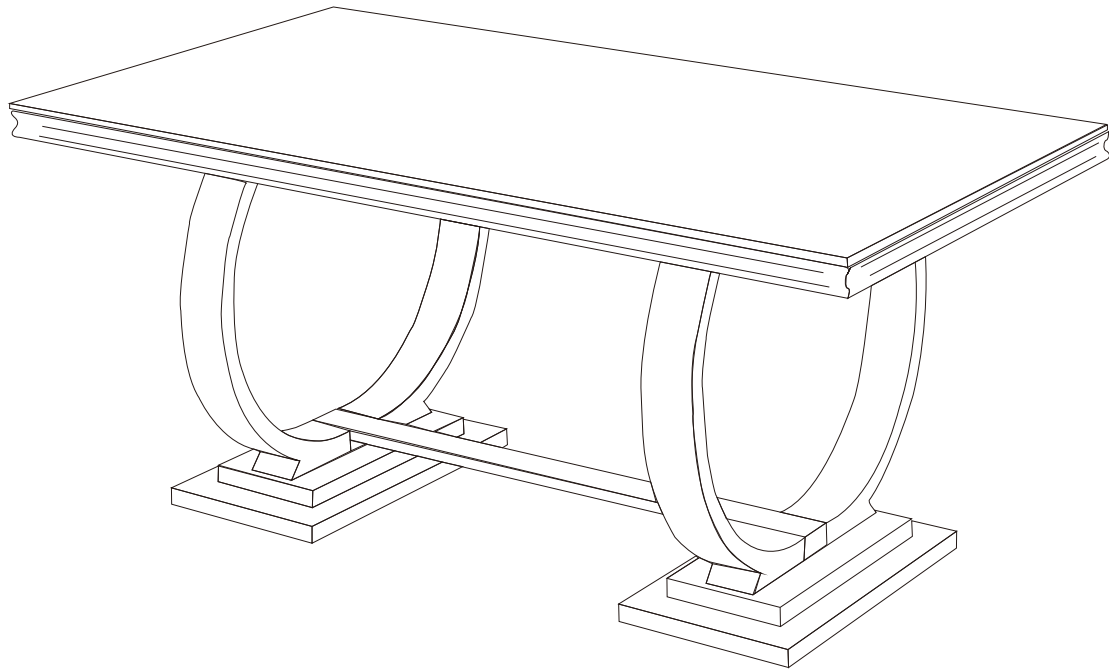


Assembly Instructions

Caution:Pls read the AI before you proceed.



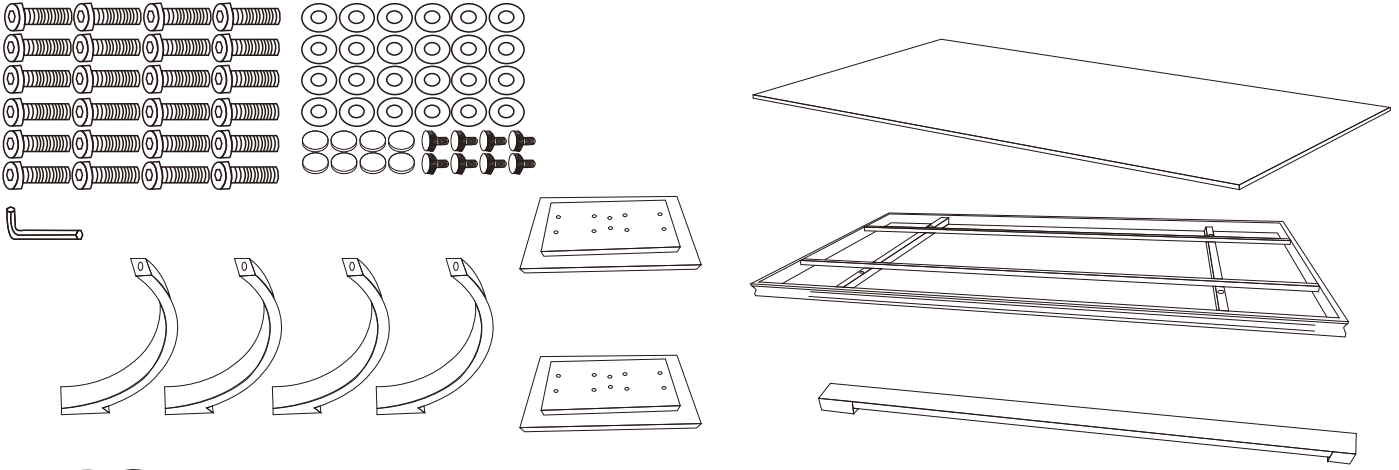
CAUTION:

Pls follow up the AI,when assemble the table leave your child away
Parts List

NO.	Picture	Description	Qty
A		Marble or glass	1
B		TOP Frame	1
C		Legs	4
D		Bass Plate	1
E		Bass Plate	2
F		Allen Key	1
G1	8X60mm	Screw	20
G2	8X50mm	Screw	4
H	10X18mm	Gasket	24
I	10X16mm	Adjusting Foot	8
J		Gasket	8

Assembly Preparation

Before Beginning Assembly



- Read instructions, cover to cover-



- Have 2 adults on hand for assembly-



- Do not assemble on flooring or carpet-

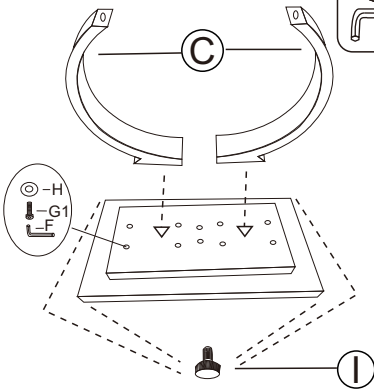
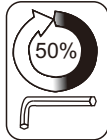


- Assemble on a clean non-marring surface (packing foam)-



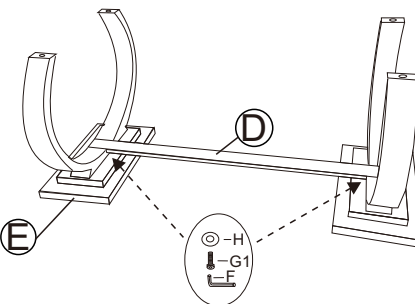
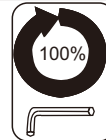
- Save all packaging until finished-

Step 1



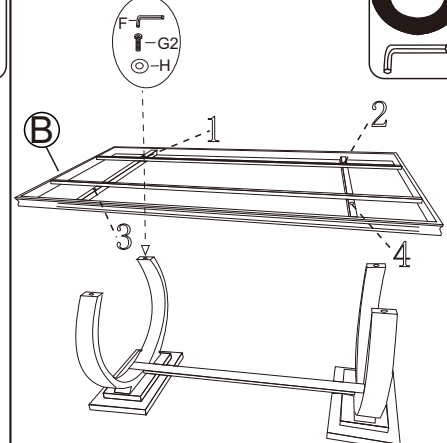
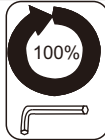
Install adjusting feet and legs

Step 2



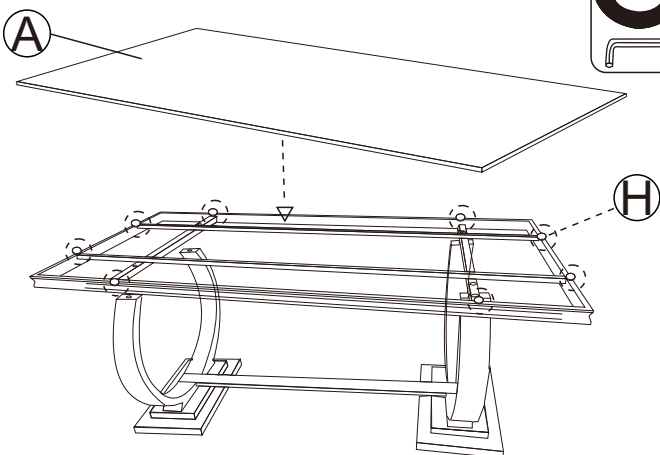
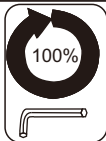
Assemble the base and tighten the screws

Step 3



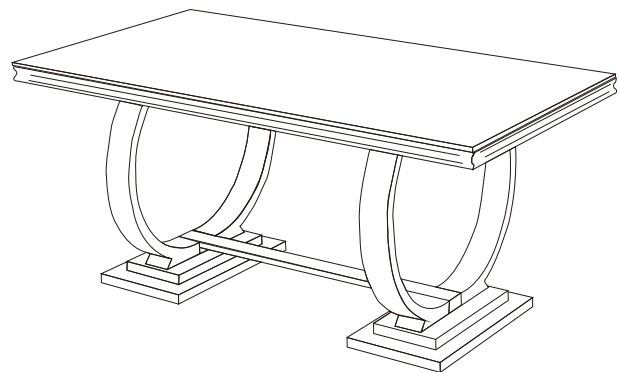
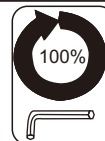
Repeat step 1 to install 1,2,3 and 4

Step 4



Place the glass on the shelf where it has been installed

Step 5



To accomplish