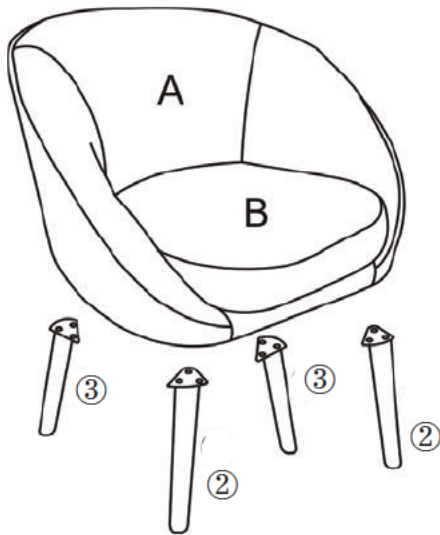


ASSEMBLY INSTRUCTIONS



②		x2
③		x2
E		X12
F		X1

Step 1: Place front legs under seat, affix bolts and washers semi tight.

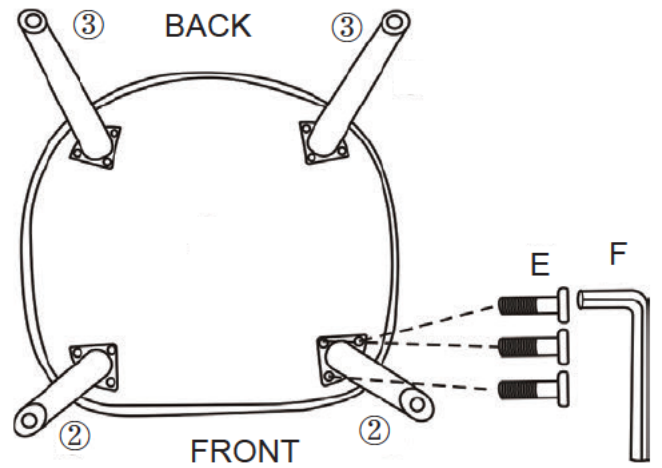
Step 2: Affix back bolts and washers semi tight.

Step 3: Place chair upright and sit on to level leg positions.

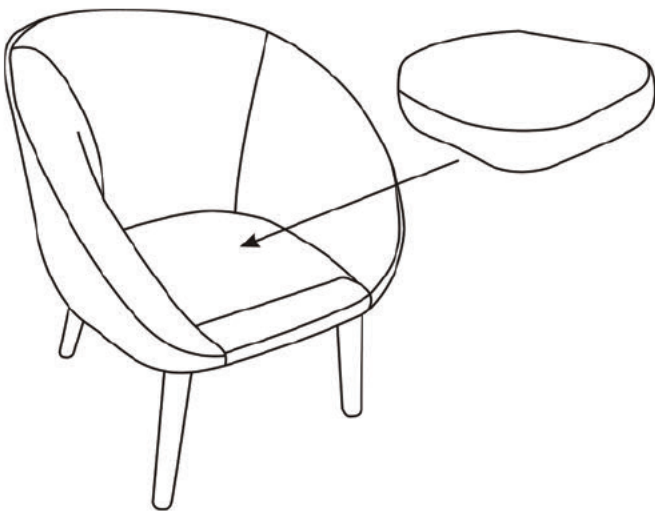
Step 4: Return to upturned position and proceed to tighten bolts securely.

1

②		x2
③		x2
E		X12
F		X1



2



3

