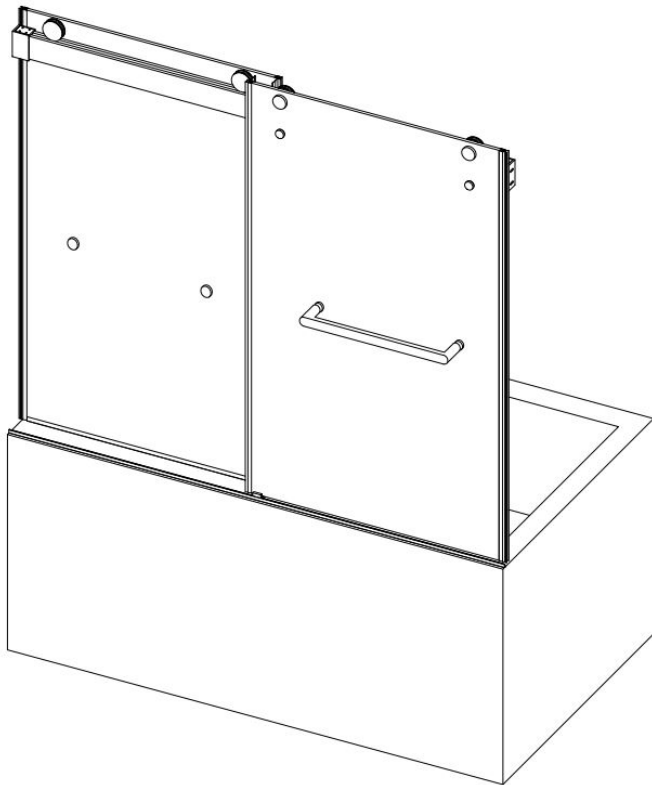


# Assembly Instruction

(The instruction is only for installation schematic, subject to the actual products)

## Available with 60"x60"H MG03 Double Sliding Tub Shower door

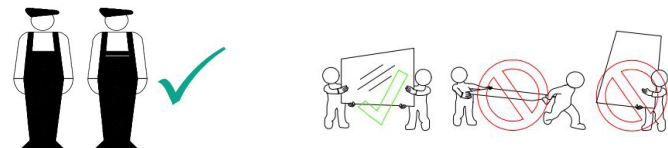


## SAFETY INFORMATION CAUTION:

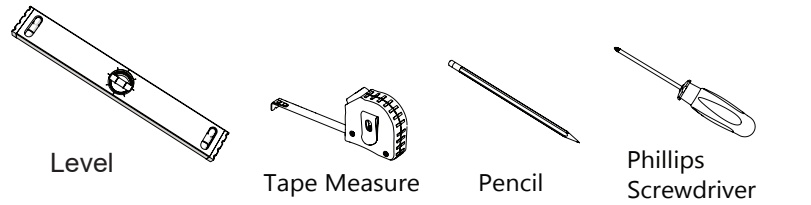
Please carefully read the following important safety information before handling or installing this shower door. There are risks of serious injury while handling this product. To minimize these risks. Please note:

- \* Always wear safety glasses and gloves while handling.
- \* Always follow the installation instructions.
- \* Do NOT cut or modify the tempered glass as it will shatter if cut.
- \* Inspect glass for damage before installation.
- \* Make sure to have a gaskets(we offered) in either side of the glass door, to make sure the metal is not touching the tempered glass.
- \* Extreme caution should be taken while handling the glass during installation as the tempered glass may shatter if in contact with a hard surface.
- \* Carefully remove product from packaging and keep packaging until installations complete.
- \* Inspect all parts for damage or missing; if there is any damage or part missing to the unit prior to installation, please contact customer service.
- \* Cover the drain with tape to prevent the loss of small parts. The shower base and finished walls should be installed before beginning the shower door installation.
- \* During the installation, protect the shower floor with a drop cloth to avoid damage.
- \* This product should be installed by two people who are familiar with construction requirements. Professional installation is recommended.

**NOTE:** Two professional people should perform this installation



Suggest to keep this installation for future reference.

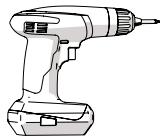


Level

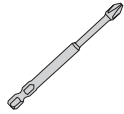
Tape Measure

Pencil

Phillips Screwdriver



Screw Gun or Impact Driver



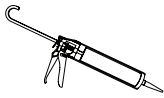
Extended #2 Driver Bit



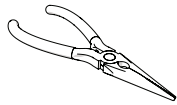
Drill



Safety Glasses



Caulk gun with clear, mold-resistant Silicone



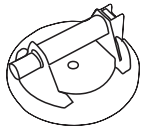
Needle Nose Pliers



Drill Bit (6mm)



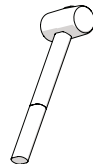
Drill Bit (8mm)



Professional-grade Glass suction cup



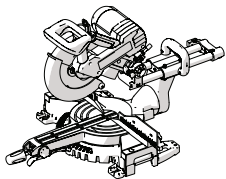
Crescent Wrench



Rubber Mallet



Metal File



Compound Miter Saw with Blade for Cutting Metal



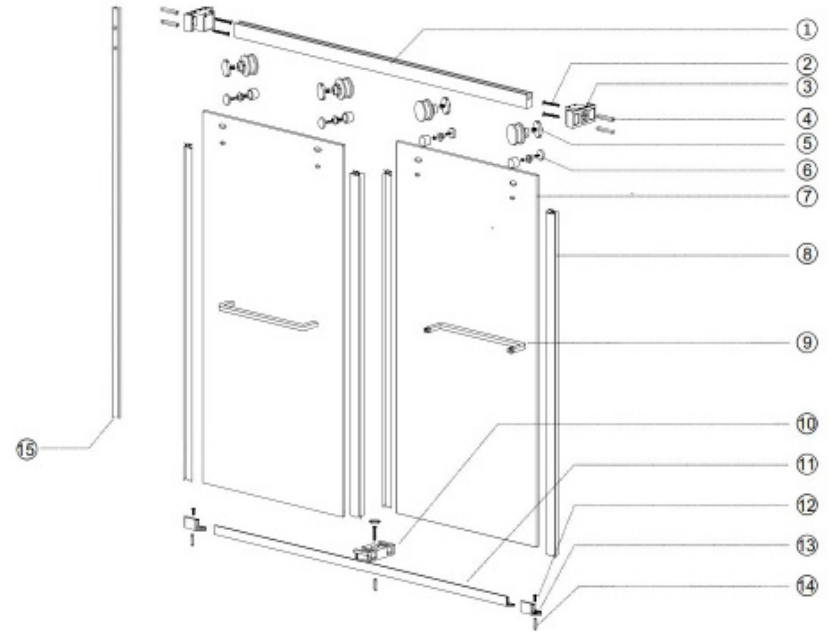
Razor Knife



Work Gloves

## Tools

## Parts breakdown



NO.	Name	Picture	Qty	NO.	Name	Picture	Qty	NO.	Name	Picture	Qty
1	Top rail		1	7	Glass door		2	13	Fastening fittings		2
2	ST5X50		4	8	Water Block Vinyl		4	14	Ø 6 Wall anchor		4
3	Fixed sleeve		2	9	Handle		2	12	ST4X30		4
4	Ø 8 Wall anchor		4	10	Lower slider		1	15	Locator		1
5	Roller		4	11	Bottom rail		1				
6	Off prevention device		4								

### Attention Please:

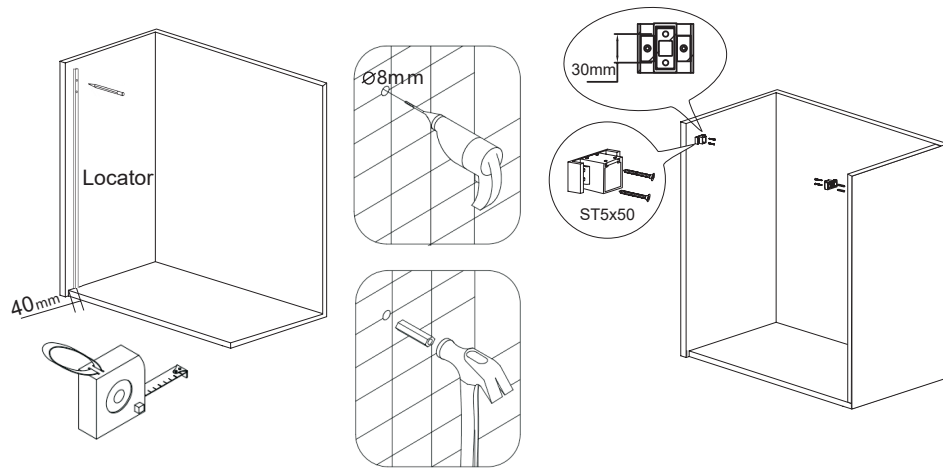
Our product supports an adjustment within 4"width (Whether 60" or 48") (for example: if you bought 60" width, then support any size of 56-60")

You only need to cut off the Top rail and Bottom rail accordingly.

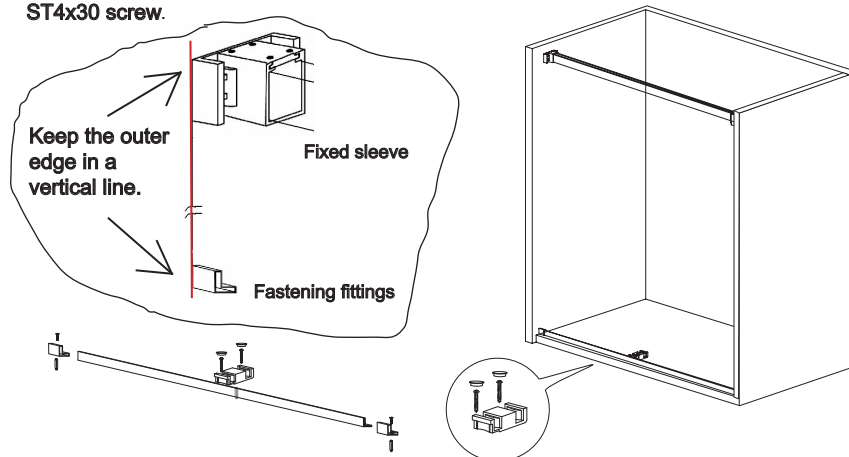
(for example: the standard is 60", your width of shower room is 58", then directly cut off the Top rail and Bottom rail by 2")

**A Determine the position you want to install the shower door, usually we recommend 40mm inward from the outermost edge of the bathtub to the center of the locator.**

1. Use the **Locator** to locate the position of the holes. Mark them with a pencil.
2. Drill 8mm hole and inject **8mm Wall anchor**.
3. Install the **Fixed sleeve** on the wall with **ST5x50 screw**.  
Please note the upward-facing TAG on the **Fixed sleeve**.



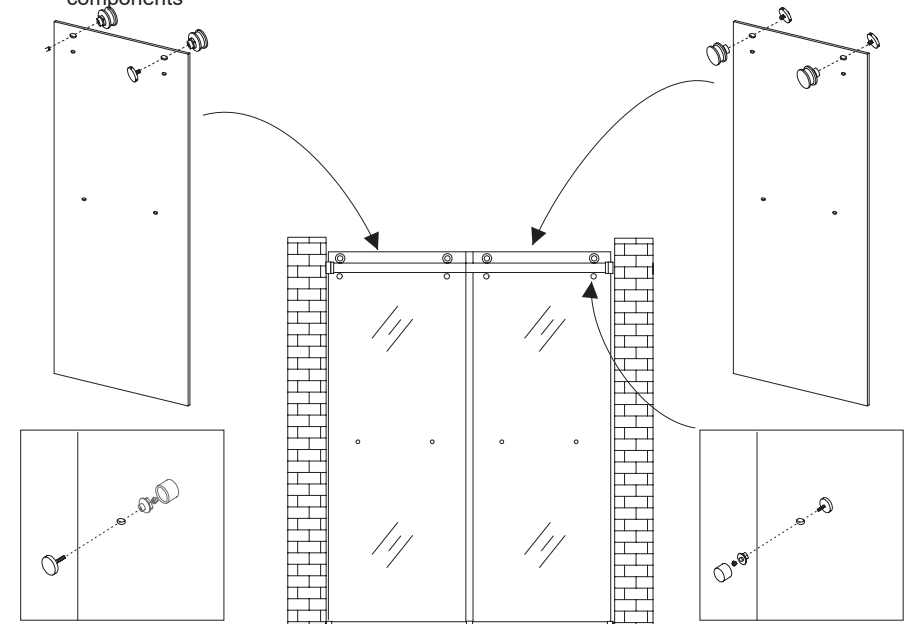
- B**
1. Put the **Top rail** into the **Fixed sleeve** on both sides and tighten it with the screws. Please note the side with track on the Top rail is facing UP.
  2. Locate the outer edge of the **Fastening fittings** according to the installed **Fixed sleeve**, with the outer edge coming down vertically.
  3. Then locate the **Bottom rail** according to the **Fastening fittings**, and then locate the **Lower slider** according to the position of the **Bottom rail**, the horizontal position of the **Lower slider** is in the center.
  4. Mark with a pencil according to the above position, Drill 6mm hole and inject **6mm Wall anchor**.
  5. Assemble the **Bottom rail**, **Fastening fittings**, **Lower slider** in order and lock tightly with **ST4x30 screw**.



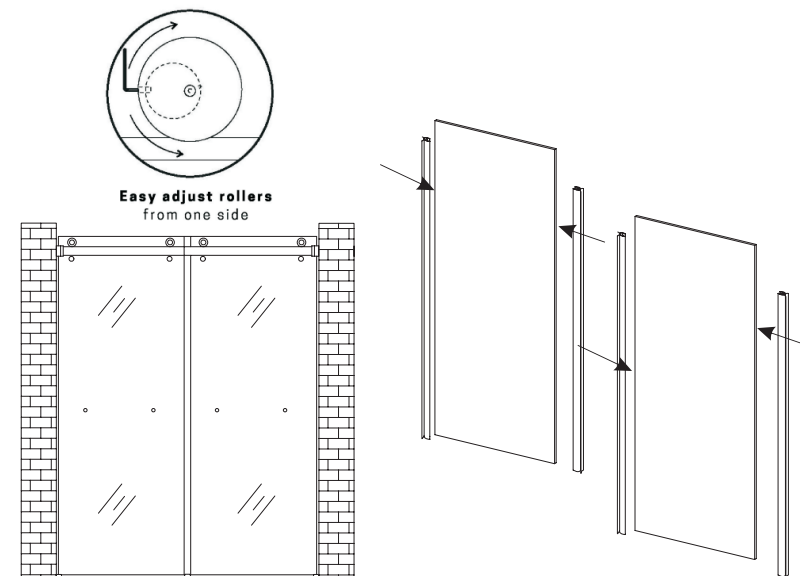
05

V02RB20250103

- C**
1. Install the **Rollers** on the **Glass door**.
  2. Hang the **Glass doors** on the **Top rail**.
  3. Install **Off prevention devices** on the **Glass doors** that prevent glass detachment components



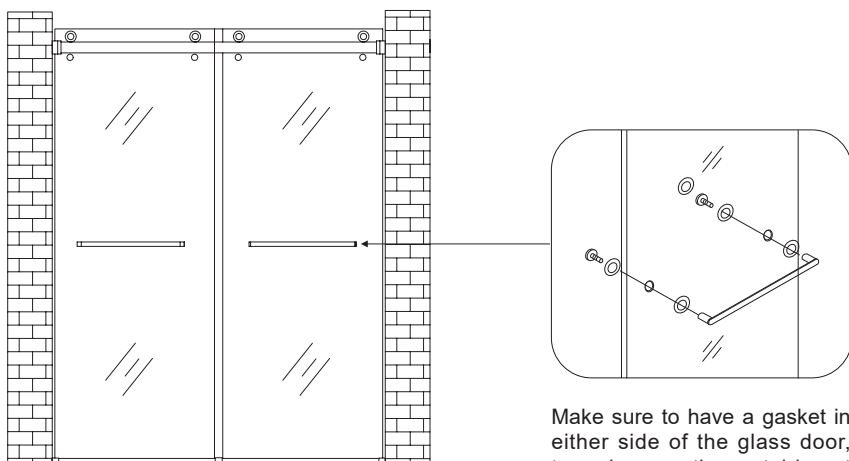
- D**
1. Install the **Water block vinyls** on the **Glass doors**.
  2. Adjusting the **Roller**: Loosen the screws, then rotate the fixing parts, adjust the height of the roller, adjust the height lock, and tighten the screws.



06

V02RB20250103

**E** 1. Install the **Handles** properly.

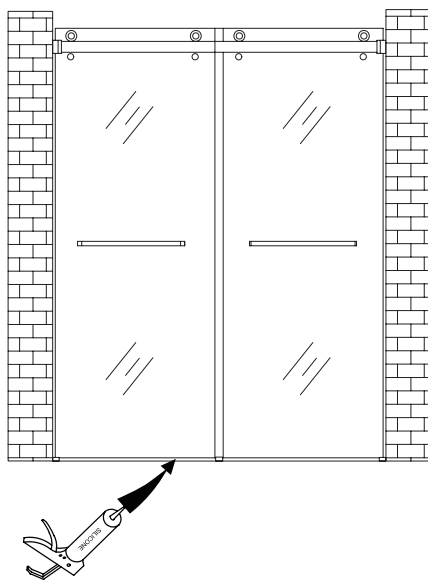


Make sure to have a gasket in either side of the glass door, to make sure the metal is not touching the tempered glass.

**F**



Please allow 24 hours for the silicone to fully cure before using the shower.



## Usage and Maintenance

### I. How to use and maintain the pulley of shower room

1. Avoid colliding the shower room active door energetically, to avoid activity door falling off; When the pulley does not turn or activity door does not move, the pulley needs replacing, it can't be energetically pushed or pulled, so as not to crush the glass loss.

2. Regularly clean slippery course, pulley of the shower room, fill lubricant (lubricating oil and lubricating wax);

3. When active door of the shower room is closed, there is seam above or below:

4. Check whether verticality deviation occurs, if any, install and adjustment.

### II. The maintenance of toughened glass of shower room

1. Don't use sharp blow or hit shower room glass surface, so as to avoid breakage;

2. Do not use corrosive liquid such as banana oil to wipe the glass shower room surface, so as not to damage the surface luster;

3. Don't use coarse material to wipe the glass surface of the shower room to avoid scratch.

4. The glass is cleaned with cotton cloth or soft cloth after being wetted.

### III. The maintenance of the aluminum alloy frame of the shower room

Oxidation coloring products, (silver, silver, brushed silver surface coloring class): This kind of products is not easy to fade compared to electrostatic coating products, but the surface can neither be wiped with coarse material, the surface can't be depicted with sharp object. If the shower room aluminum surface besmirch, please use neutral detergent dissolved in water before cleaning.

### IV. The maintenance of the hardware fittings

1. The cleaning of furniture hardware fittings, wet cloth is used to wipe or the wet cloth is dipped into neutral detergent or cleaner processing, finally water stains are dried.

2. When the surface has serious besmirch or scratches, fireworks burn, a sandpaper (2000) can be used to grind the surface, with a microfiber cloth to wipe.

3. Don't use sharp and hard goods to scrape the surface of metal accessories, to avoid contacting with the materials such as hydrochloric acid, salt, bittern.

4. Keep clean, there are water stains on the surface during use, wipe dry after use, keep the surface dry and cleaning regularly.

**We sincerely wish you a wonderful experience !  
Thank you!**