

ASSEMBLY INSTRUCTION

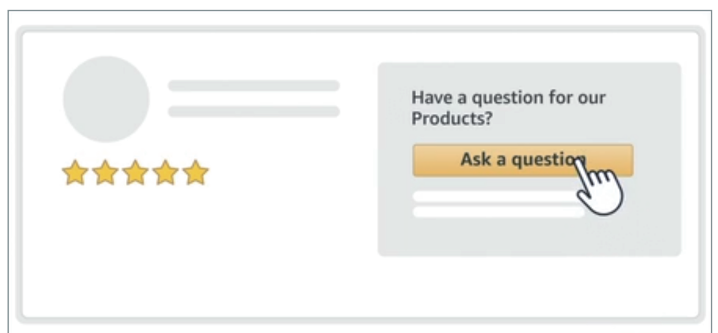
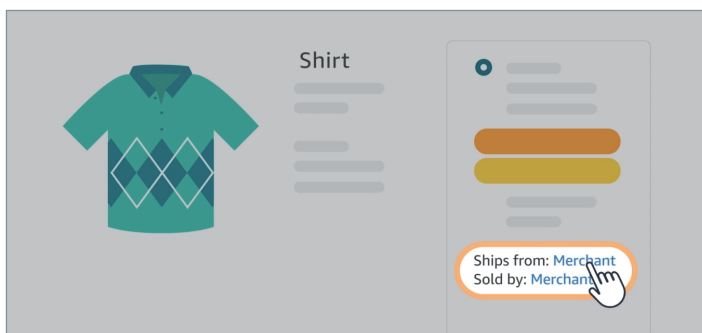
Wall Shelf

If you have any questions about the installation, please just feel free to contact us via email at:

mvdaily002@gmail.com

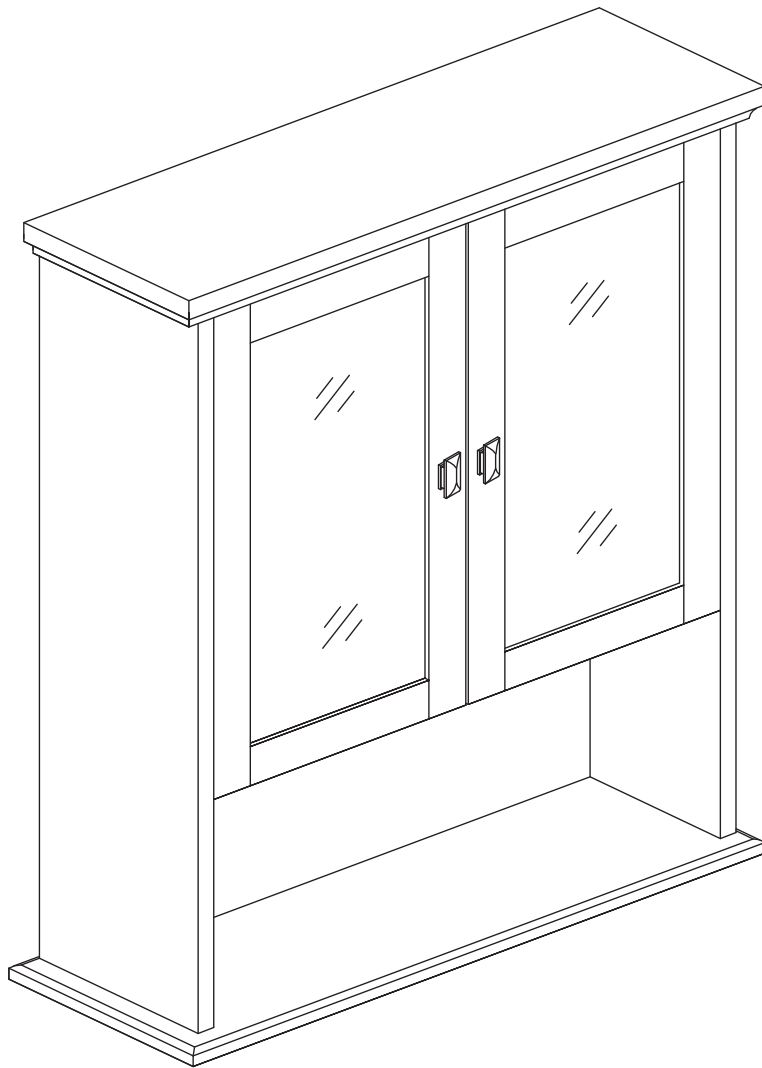
The alternative method to contact us (Amazon.com orders only)

1. Log in to Your Amazon Account.
2. Go to **"Your Orders"**.
3. Find your order in the list.
4. Select **"Problem with order"**.
5. Choose your topic from list displayed.
6. Select **"Contact seller"**.





Model: WAC310





Notice:

1. Follow the installation instruction. Please confirm all accessories are presented before installation.
2. Do not fully tighten the screws during initial assembly. Fully tighten screws only once all pieces which are correctly assembled.
3. If you encounter any problems during installation, please contact our customer service.

Item no.	Reference Image	Qty.
①		x1
②		x1
③		x1
④		x1
⑤		x1
⑥		x1

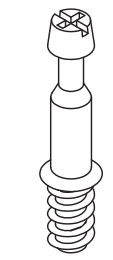
Item no.	Reference Image	Qty.
⑦		x1
⑧		x1
⑨		x1
⑩		x2
⑪		x1



Hardware Usage Guide

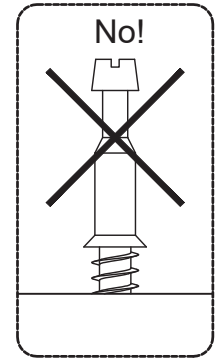
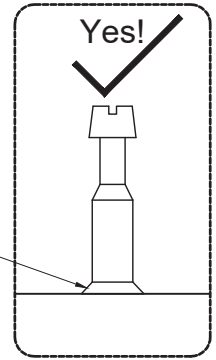
HOW TO USE A CAM LOCK & CAM BOLT OR CAM DOWEL?

1. NOTE: CAM BOLT or a CAM LOCK may be used.

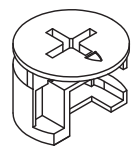


CAM BOLT

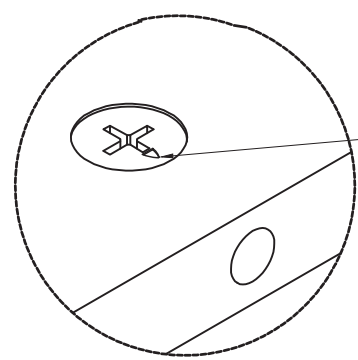
Turn the CAM BOLT until the shoulder is against the surface of the part.



2.

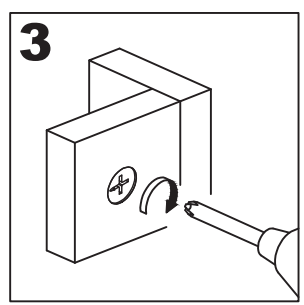
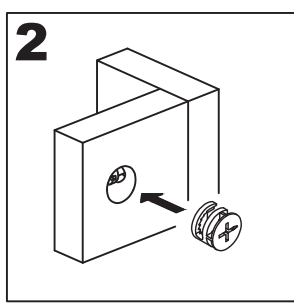
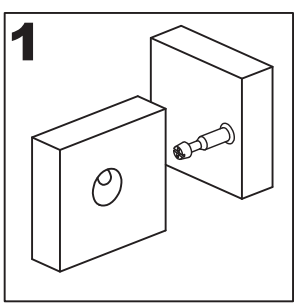


CAM LOCK

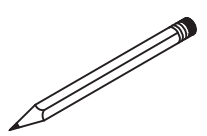


Push a CAM LOCK into the part. The arrow in the CAM LOCK must point toward the hole in the edge of the board.

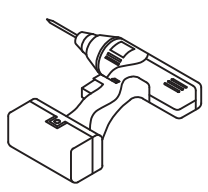
3. Insert the CAM BOLT into the CAM LOCK. Tighten the CAM LOCK.



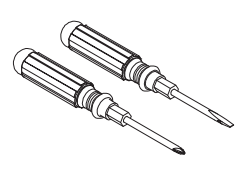
TOOLS REQUIRED



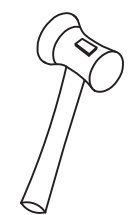
PENCIL



POWER DRILL



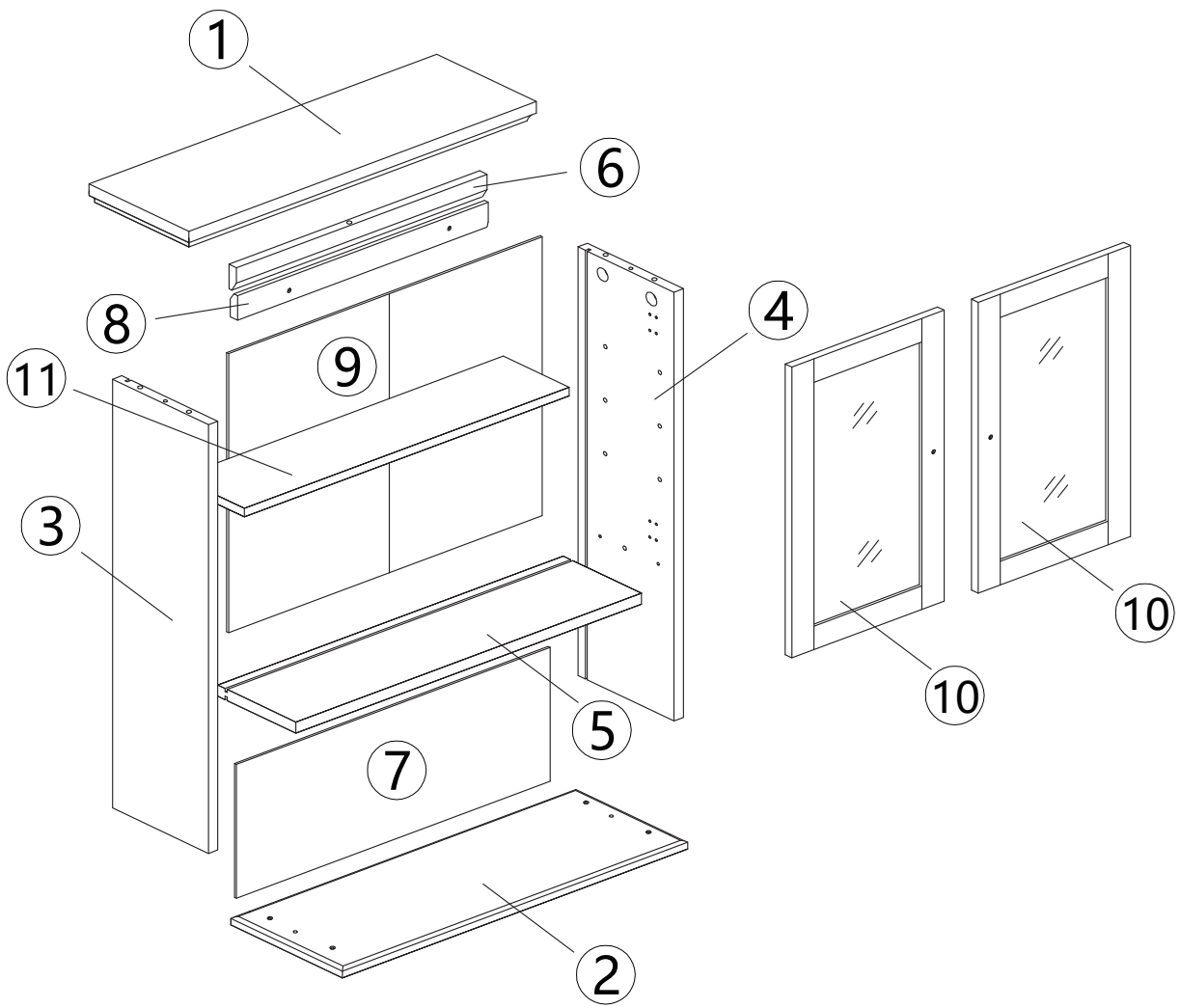
FLAT&PHILIPS SCREWDRIVER



HAMMER HEAD

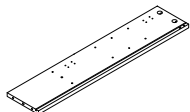


Explosion Diagram

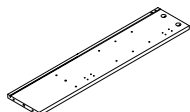




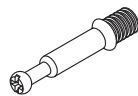
1



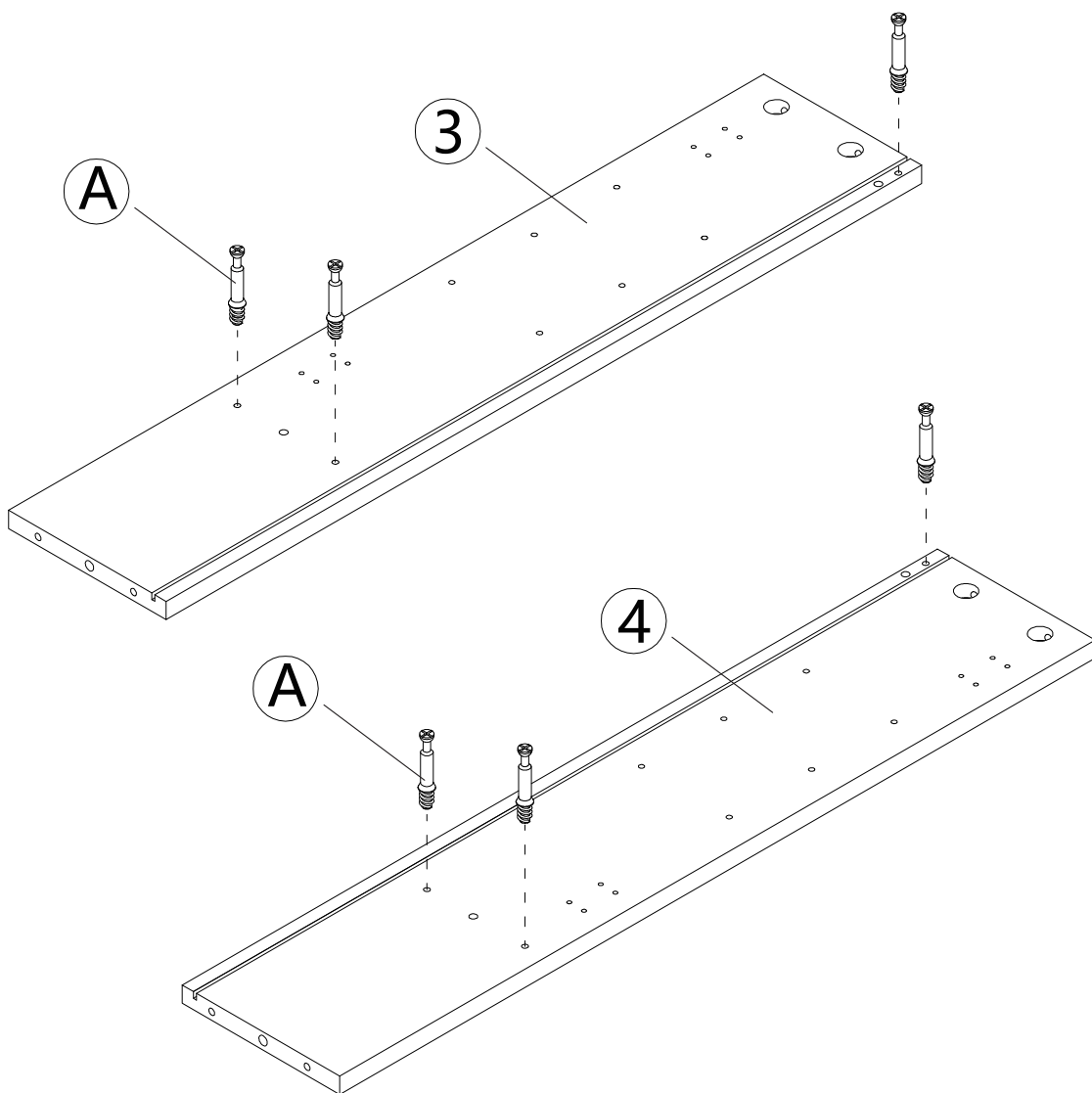
③ 1PC



④ 1PC

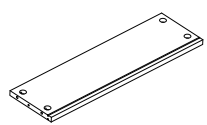


Ⓐ 6PCS

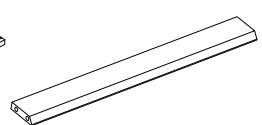




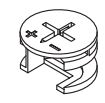
2



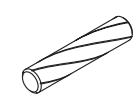
⑤ 1PC



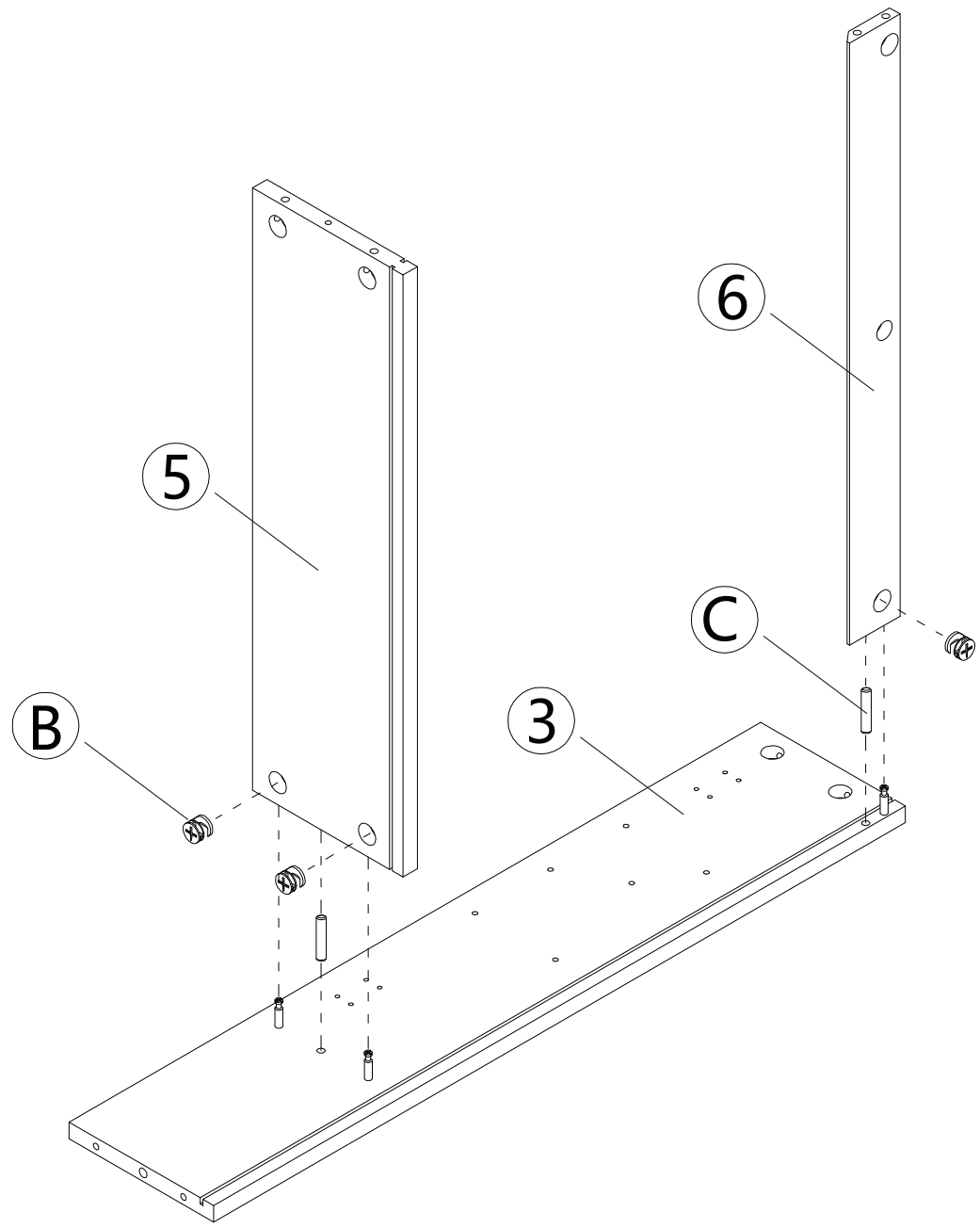
⑥ 1PC



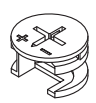
Ⓑ 3PCS



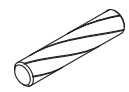
Ⓒ 2PCS



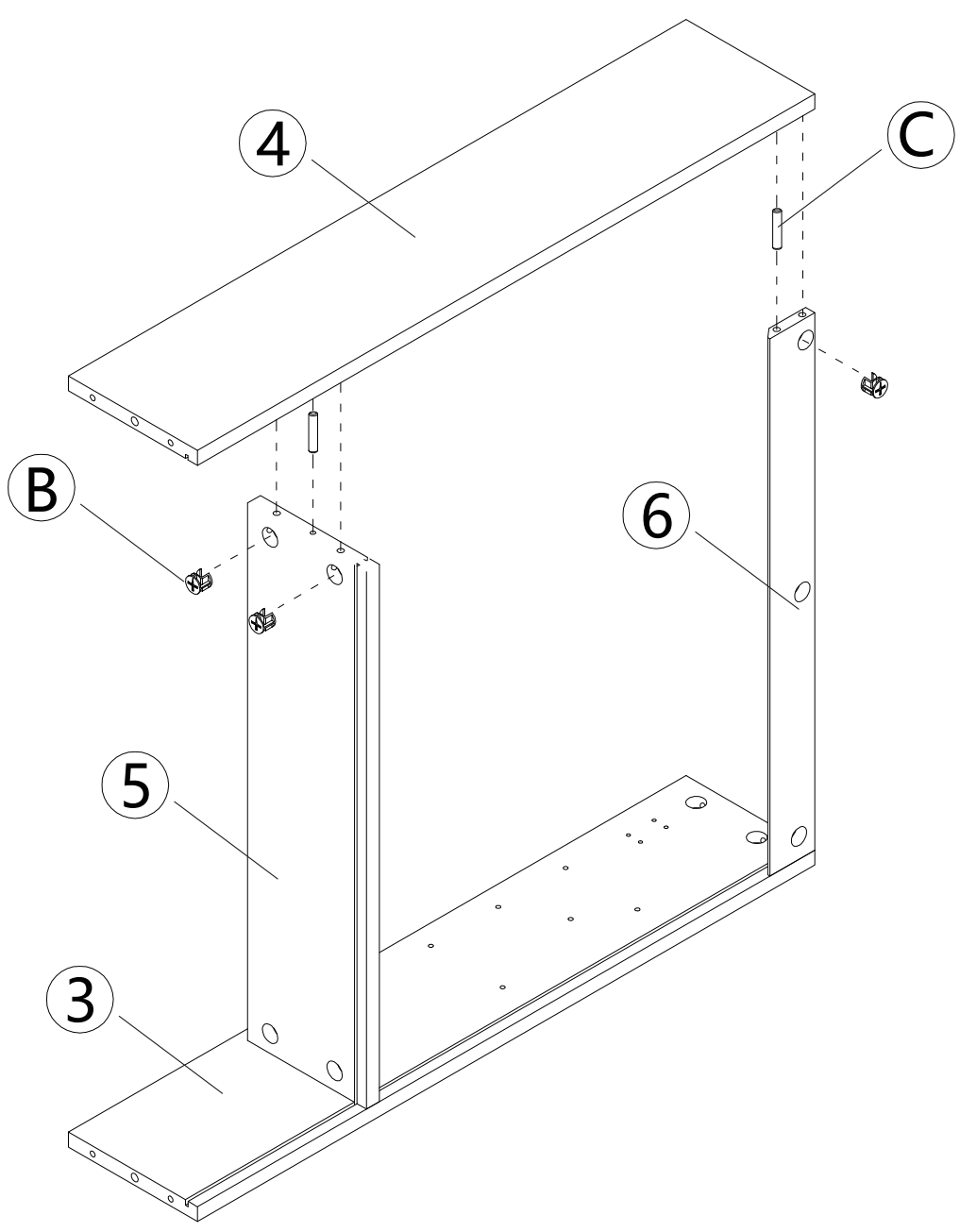
3



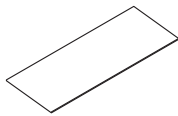
B 3PCS



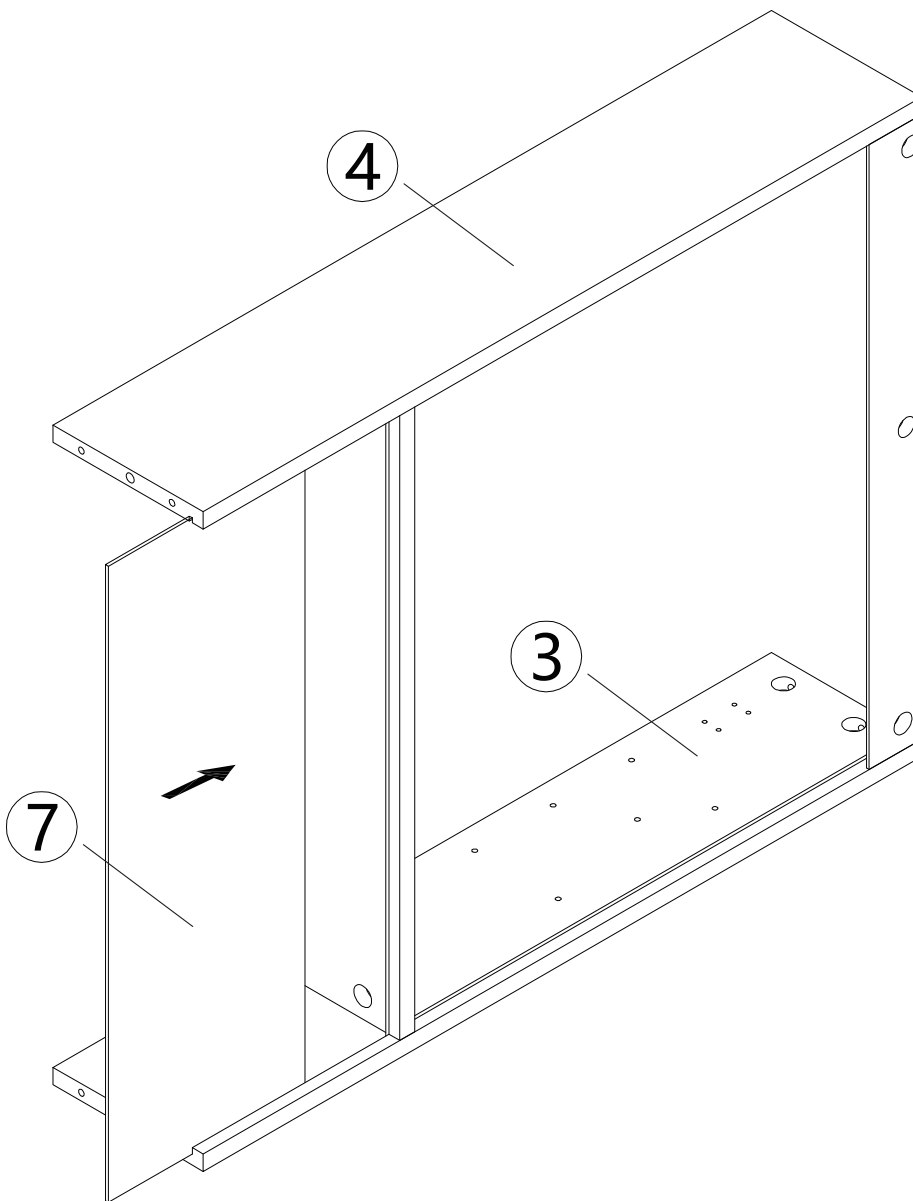
C 2PCS



4

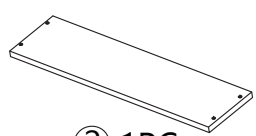


⑦ 1PC

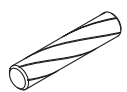




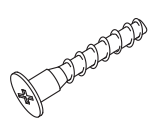
5



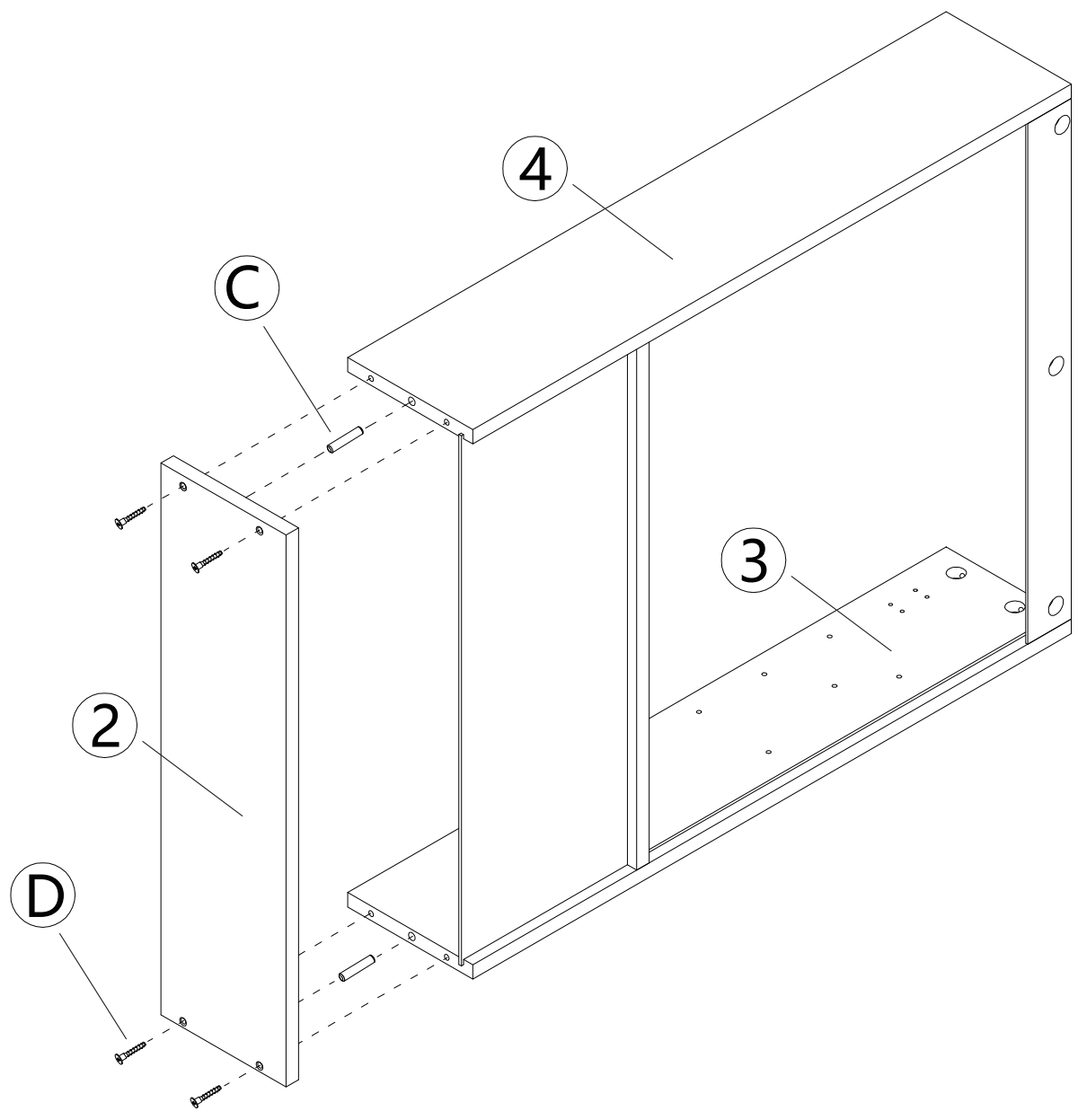
② 1PC



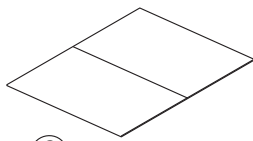
③ 2PCS



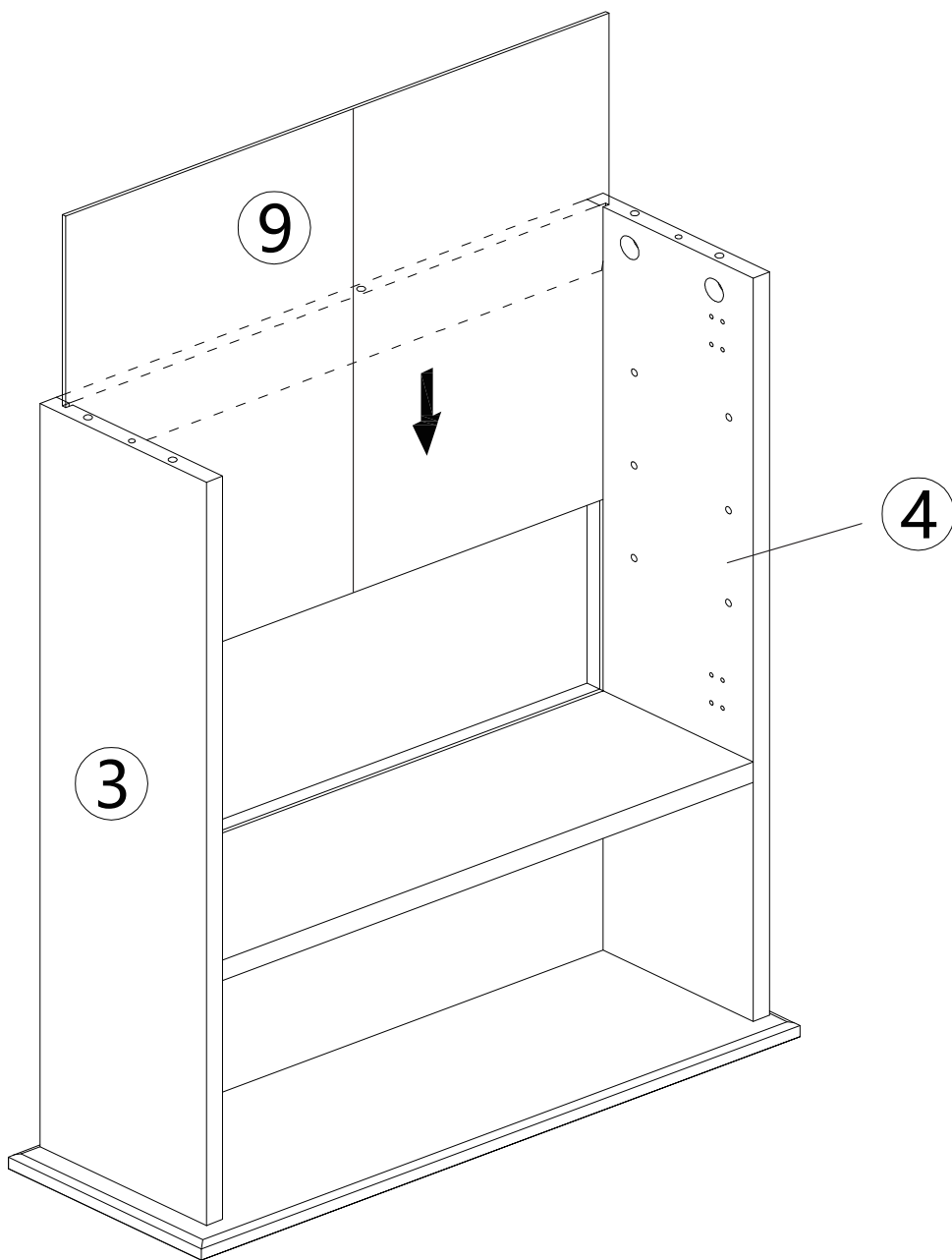
④ 4PCS



6

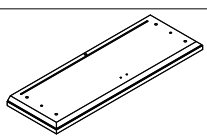


⑨ 1PC

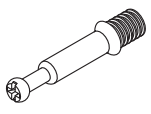




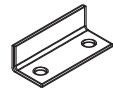
7



① 1PC



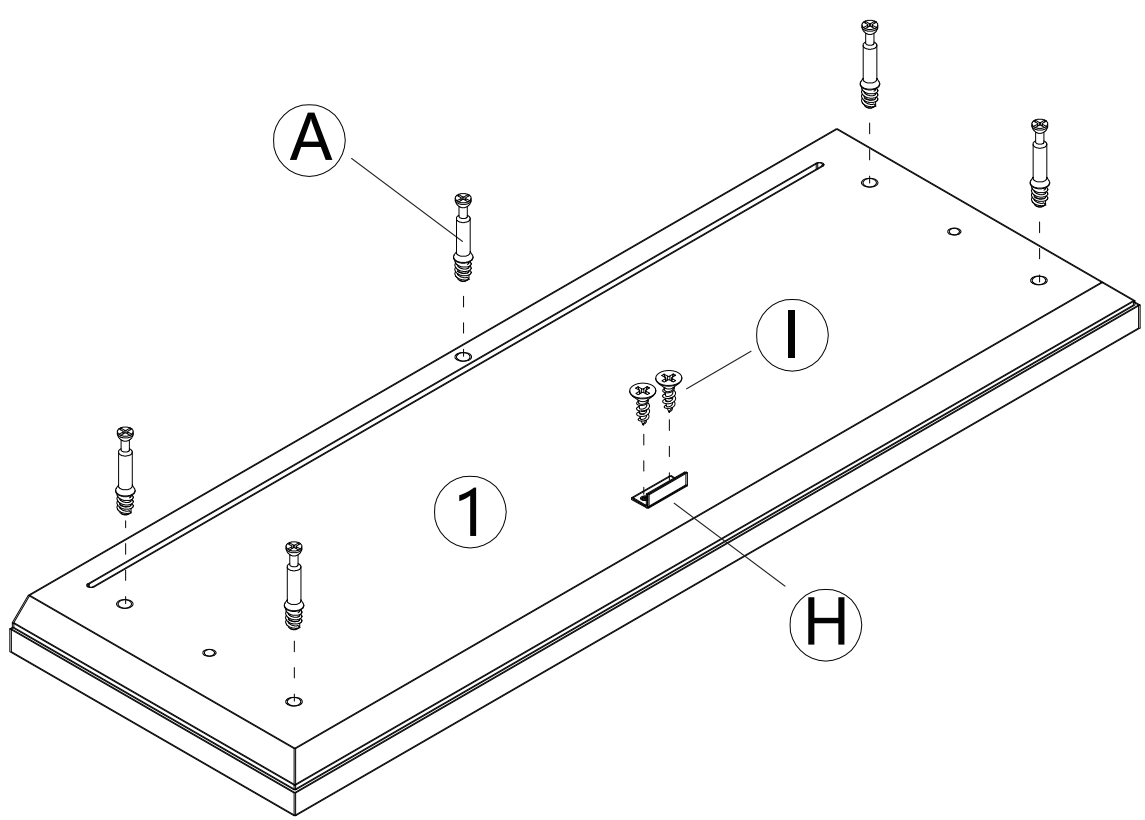
Ⓐ 5PCS



Ⓗ 1PC



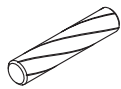
Ⓘ 2PCS



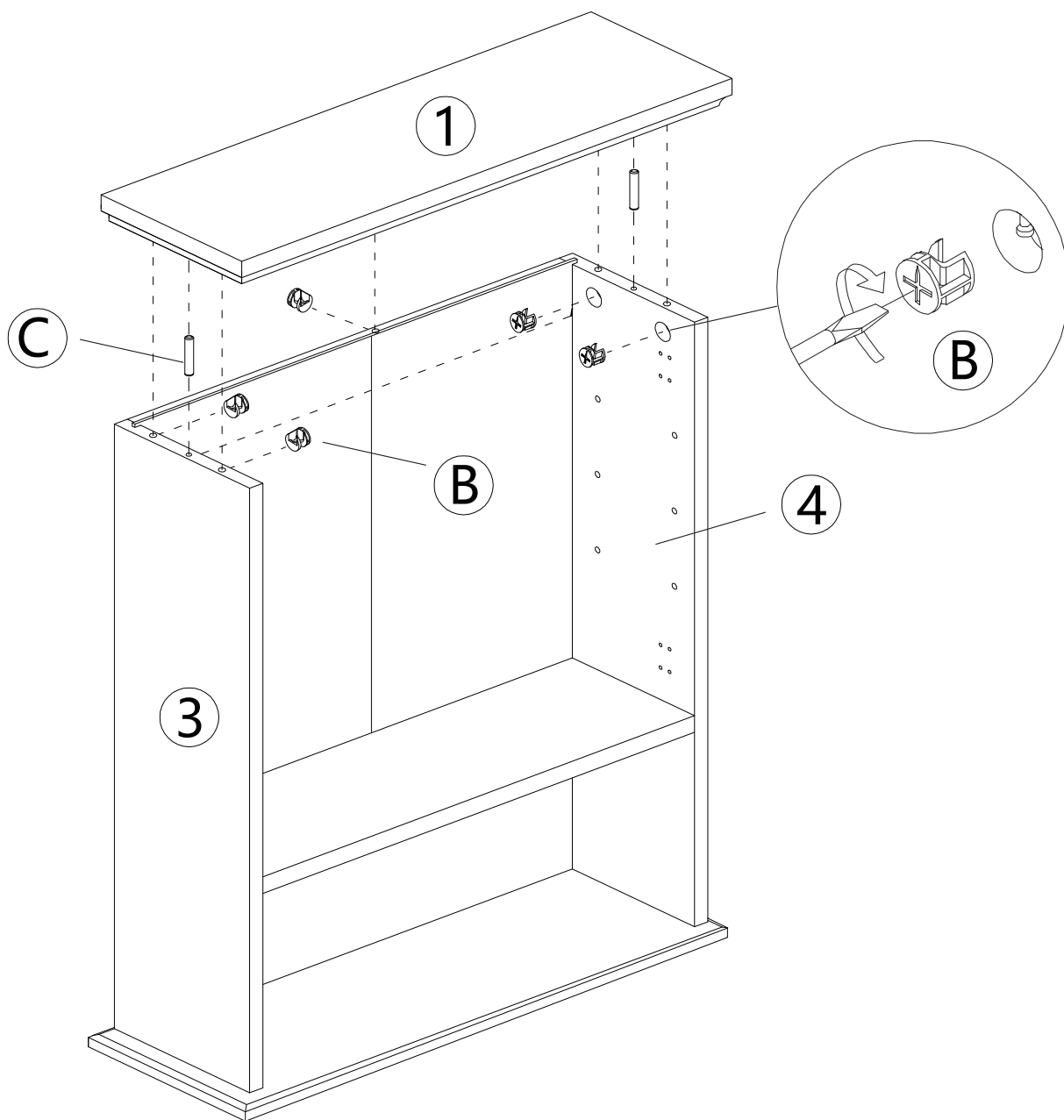
8



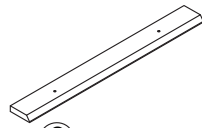
B 5PCS



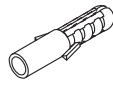
C 2PCS



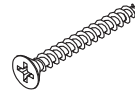
9



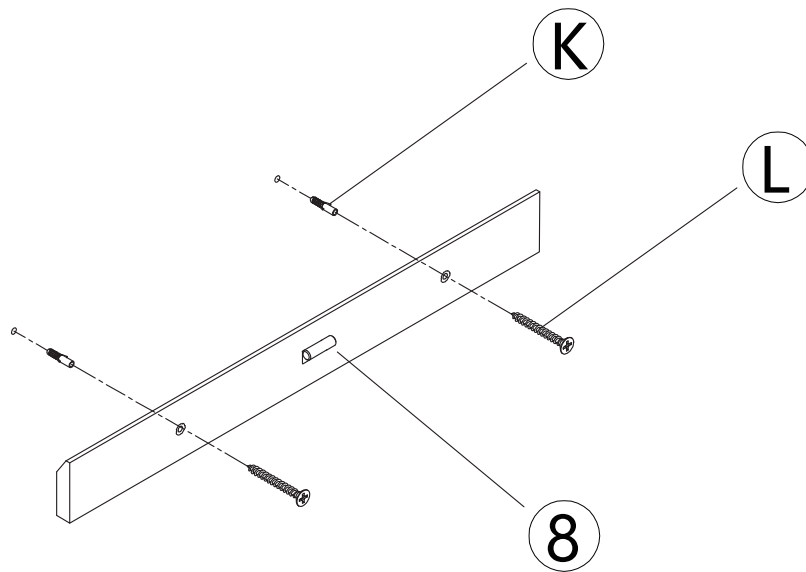
⑧ 1PC



Ⓚ 2PCS

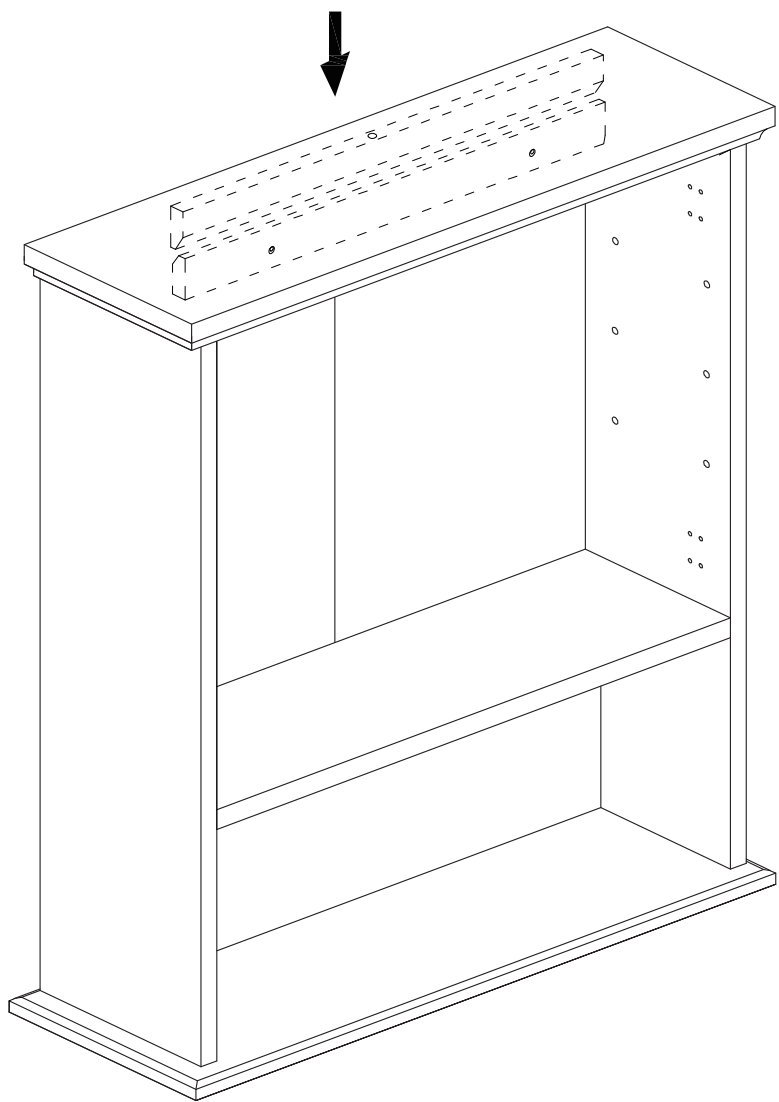


Ⓛ 2PCS



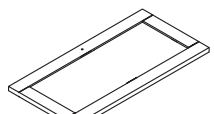
- Level the cleat in the desired location
- Use the provided screws and wall anchors to fasten the cleat to the wall

10





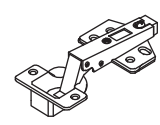
11



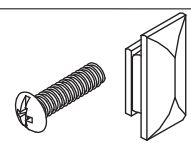
⑩ 2PCS



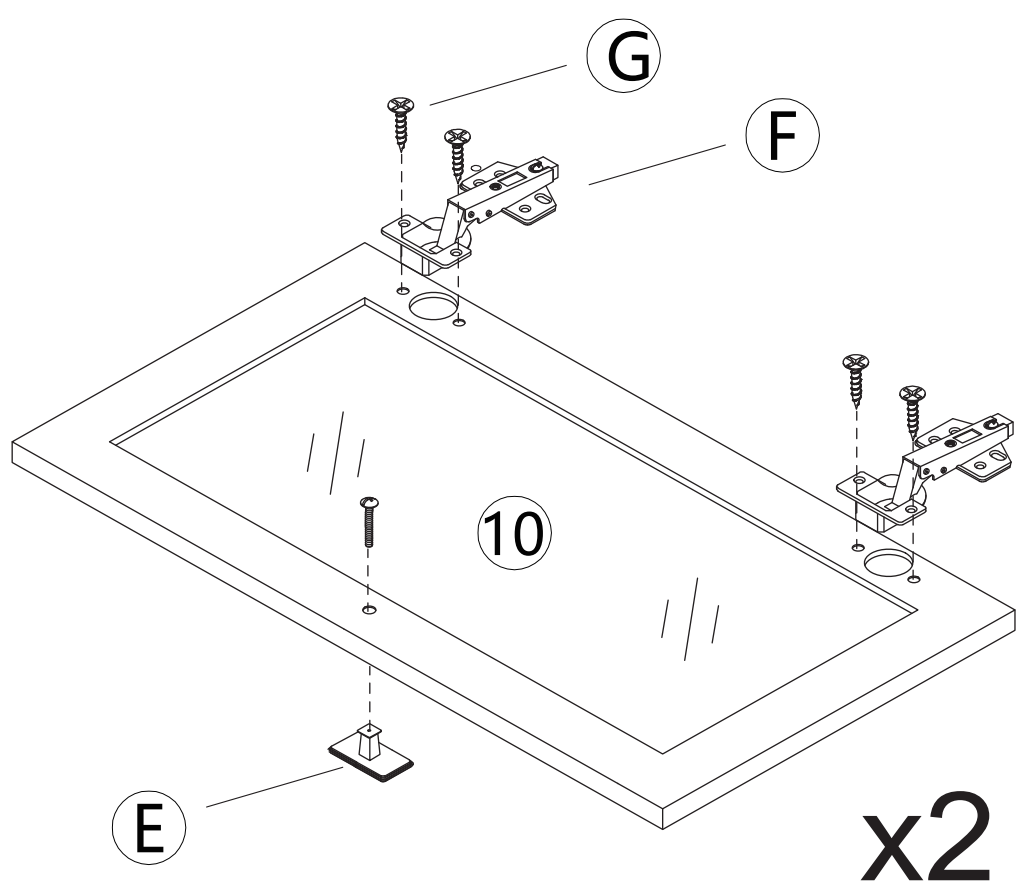
Ⓒ 8PCS



Ⓕ 4PCS

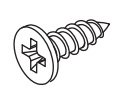


Ⓔ 2PCS

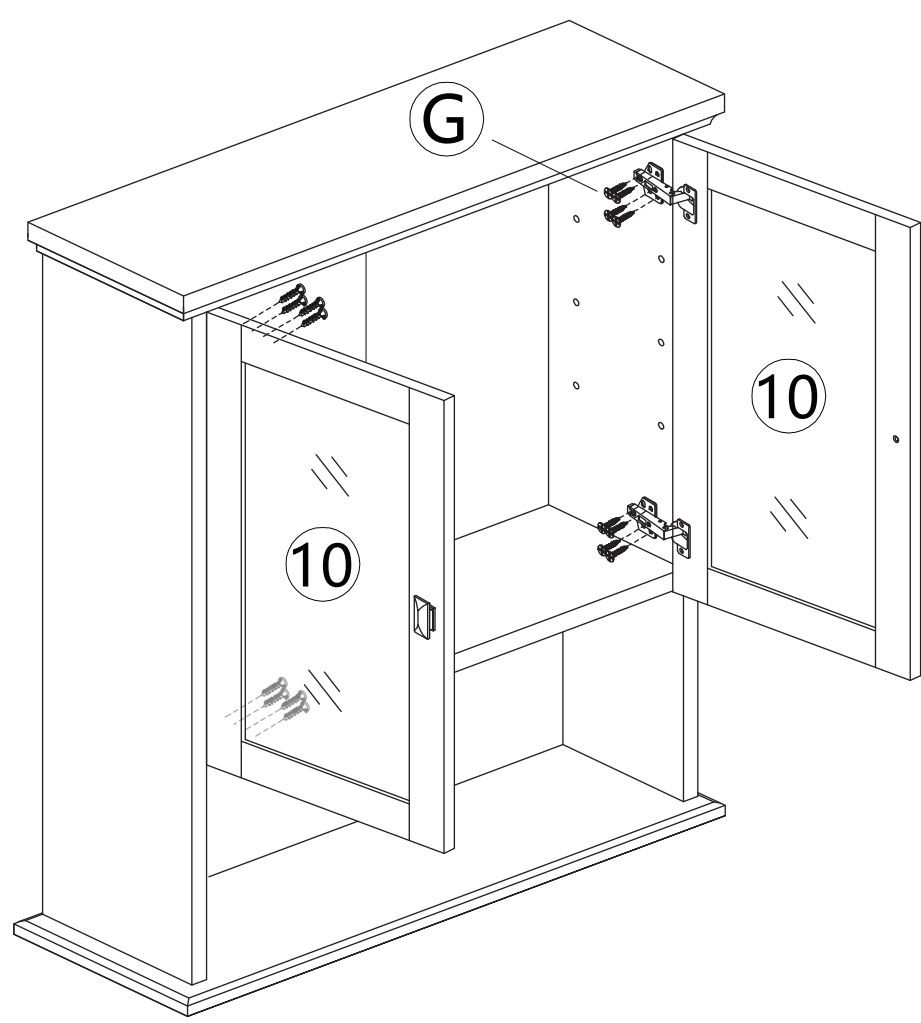




12

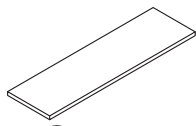


G 16PCS

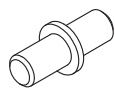




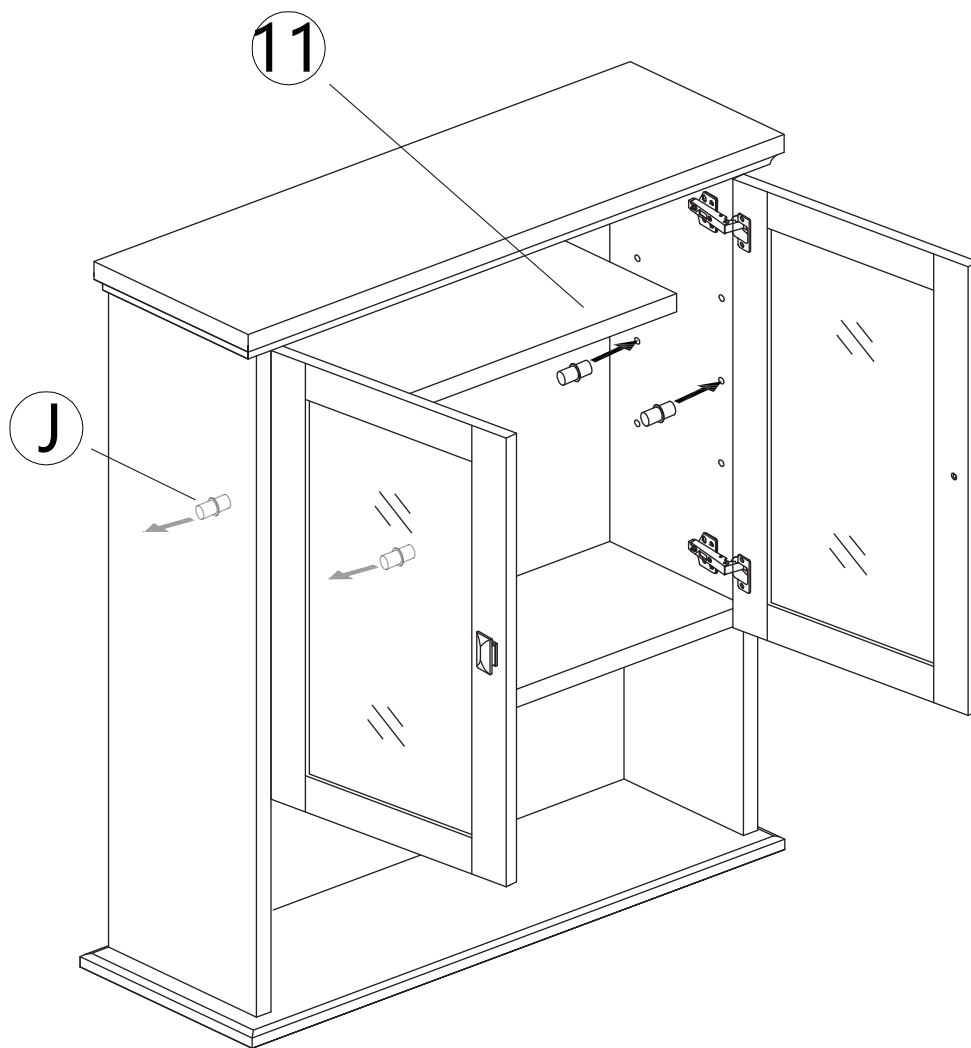
13



⑪ 1PC

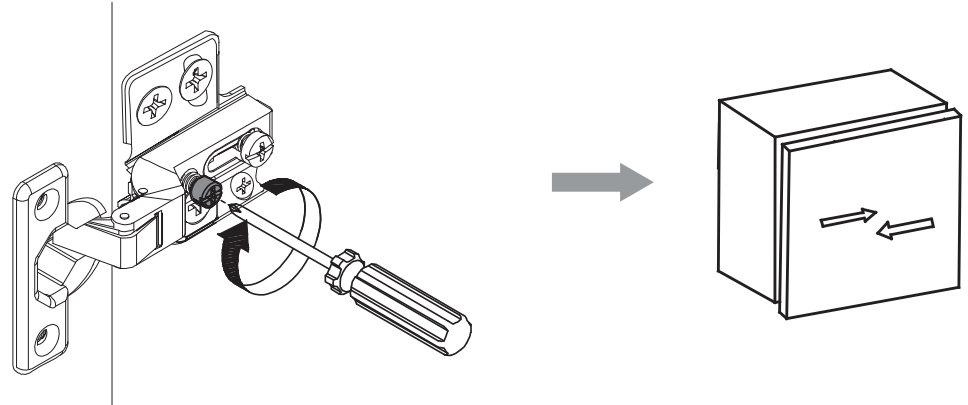


ⓐ 4PCS

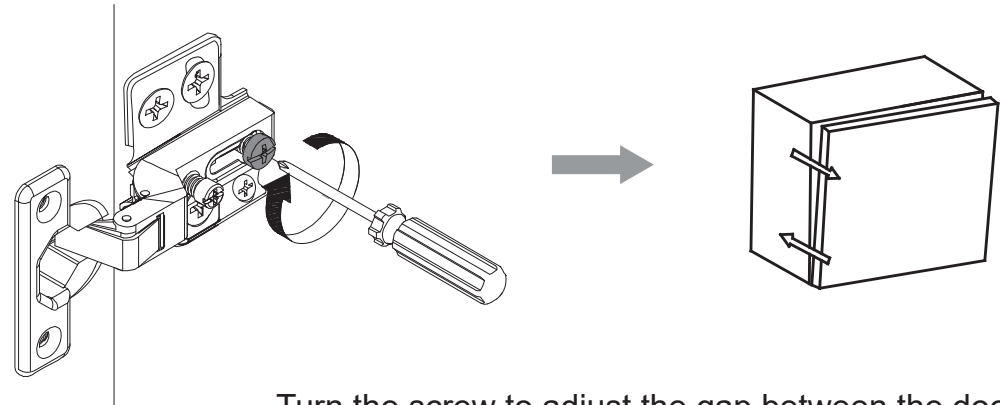




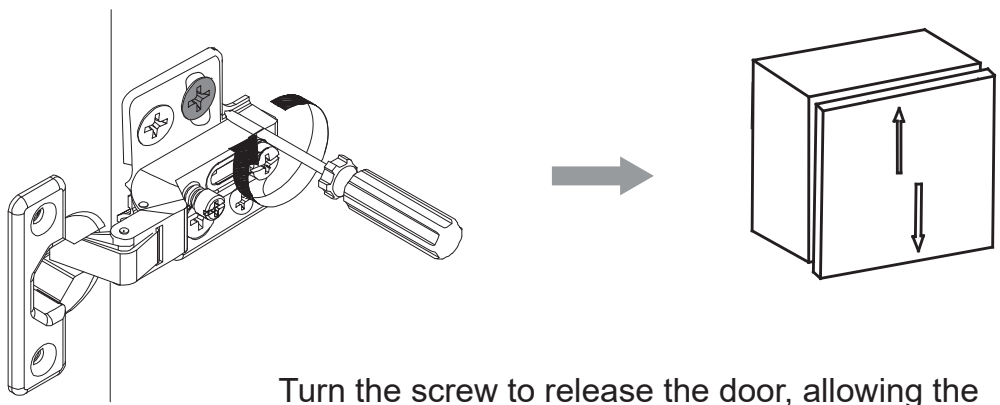
OPTIONAL DOOR ADJUSTMENT



Turn the screw to adjust the depth of the door overlay.



Turn the screw to adjust the gap between the door and cabinet.



Turn the screw to release the door, allowing the door to be moved up and down.

After-Sales Support!

If there are any damages or scratches,
please contact us immediately at:

mvdaily002@gmail.com

Thank you for choosing our product!