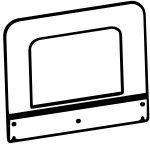

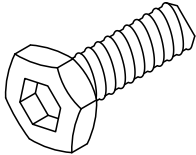
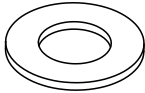



Assembly Instructions

Please read this before you proceed.

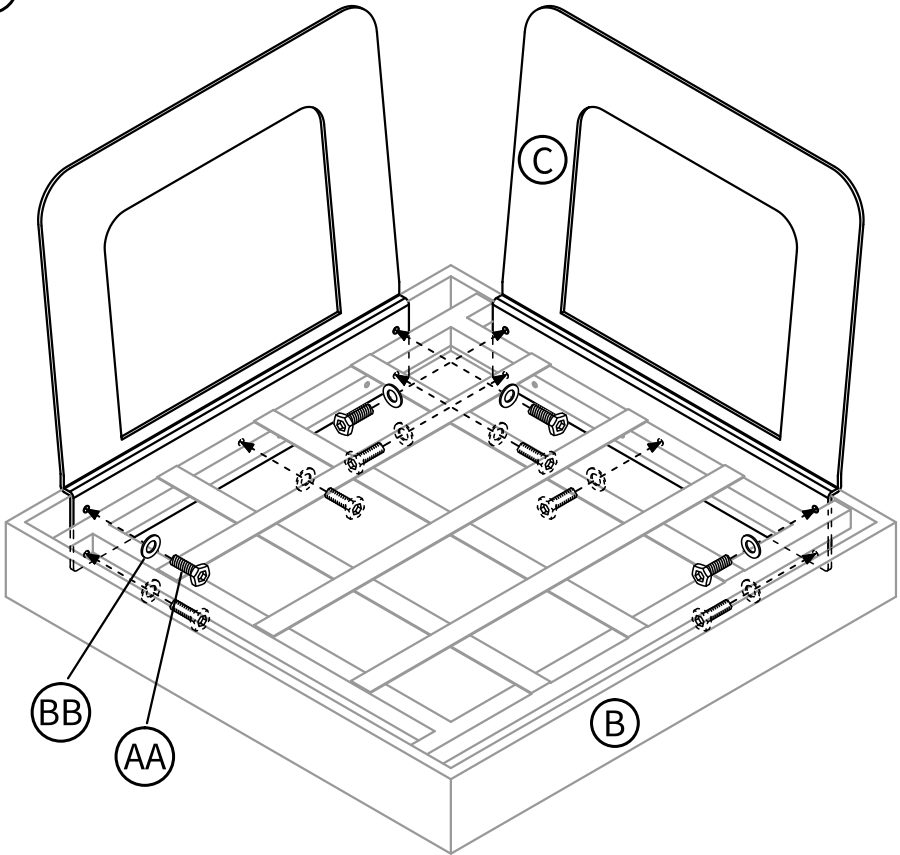
NUMBER	COMPONENT	QUANTITY
C	 Aluminum Backrest Panel	2PCS
F	 Armrest Cushion	2PCS

Assembly Instructions

NUMBER	COMPONENT	QUANTITY
AA	 <p data-bbox="676 475 840 507">Bolt M6*20</p>	10+2PCS
BB	 <p data-bbox="613 683 840 715">M6 Flat washer</p>	10+2PCS
CC	 <p data-bbox="650 885 840 917">M6 Allen Key</p>	1PC

Assembly Instructions

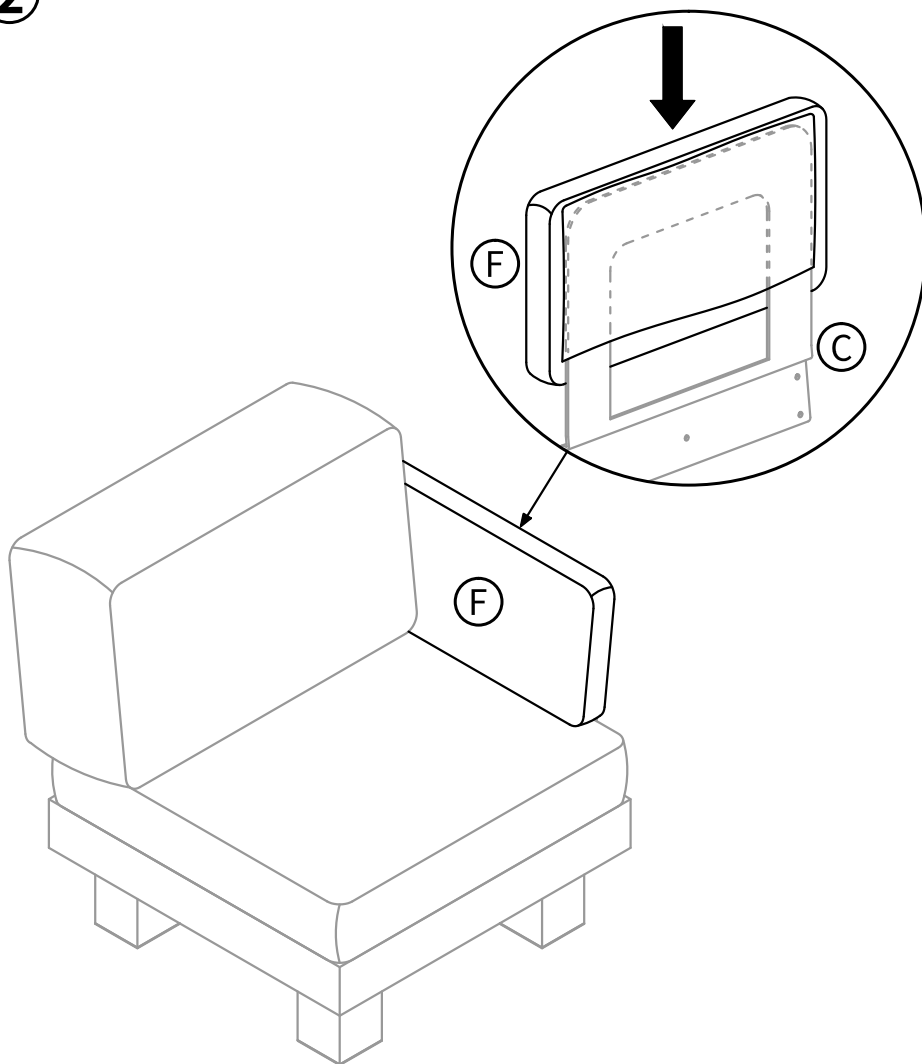
①



Place the Sofa Seat (B) on the surface with the seat support straps facing up. Attach one (1) Aluminum Backrest Panel (C) to a side of the Sofa Seat (B) using two (2) M6*20 Bolts (AA) and two (2) M6 Flat Washers (BB) on each end. Add one (1) more M6*20 Bolt (AA) with one (1) M6 Flat Washer (BB) in the center. Place one (1) Aluminum Backrest Panel (C) on the side of the Sofa Seat (B) next to the first one and secure using five (5) M6*20 Bolts (AA) and five (5) M6 Flat Washers (BB) in the same pattern.

Assembly Instructions

②



Place the Armrest Cushion (F) against the other Aluminum Backrest Panel (C).