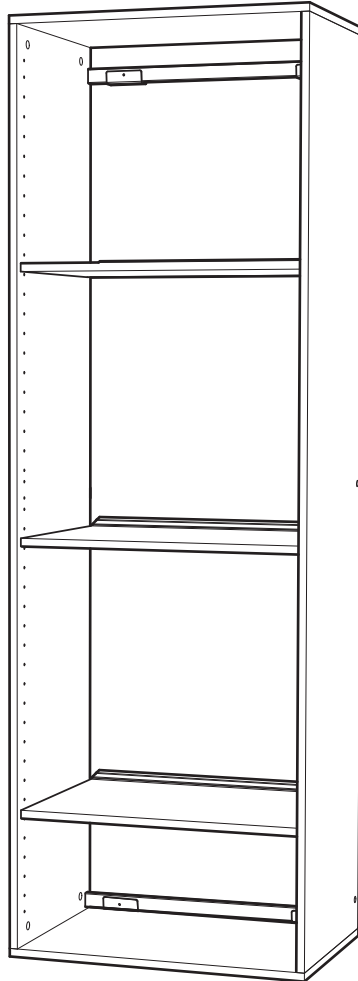


[www.FlowWall.com](http://www.FlowWall.com)



model number:

# FWC-C01-G

Tall Cabinet Body

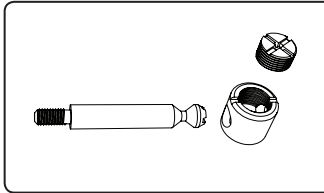
Distributed by:



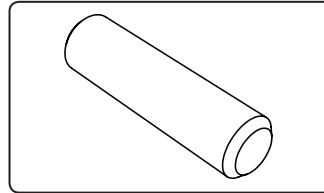
RST Brands / 1775 West 2300 South / Salt Lake City, Utah 84119  
Ph: 877.924.2090 / [www.rstbrands.com](http://www.rstbrands.com)  
Flow Wall is a registered trademark of Red Star Traders, LLC

**Step 1.**

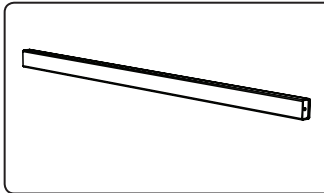
**Parts List** - Review this parts list and reference for future assembly steps. If you find any parts are missing, please contact Flow Wall via phone or email.



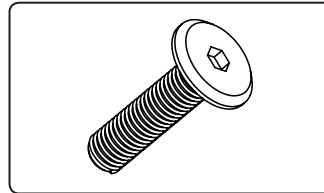
**A** Cam & Post  
**x8**



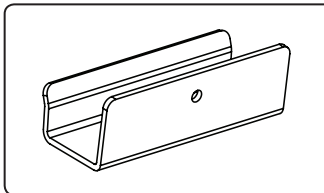
**B** Wood Dowel  
**x8**



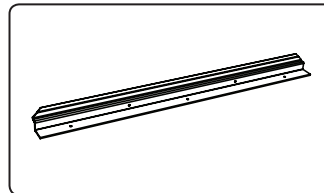
**C** Steel Spanner  
**x2**



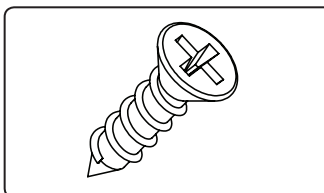
**D** Spanner Screw  
**x4**



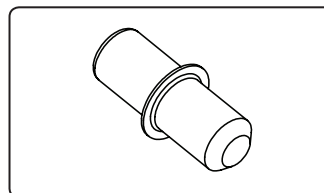
**E** Spanner Bracket  
**x4**



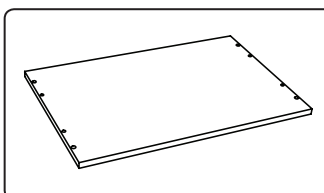
**F** Shelf Bracket  
**x3**



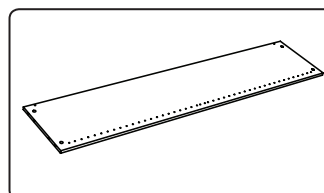
**G** Shelf Screws  
**x15**



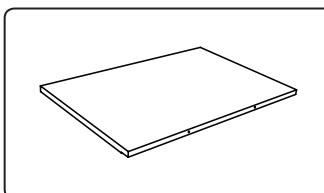
**H** Shelf Pin  
**x6**



**I** Top / Bottom  
**x2**



**J** Side Panel  
**x2**

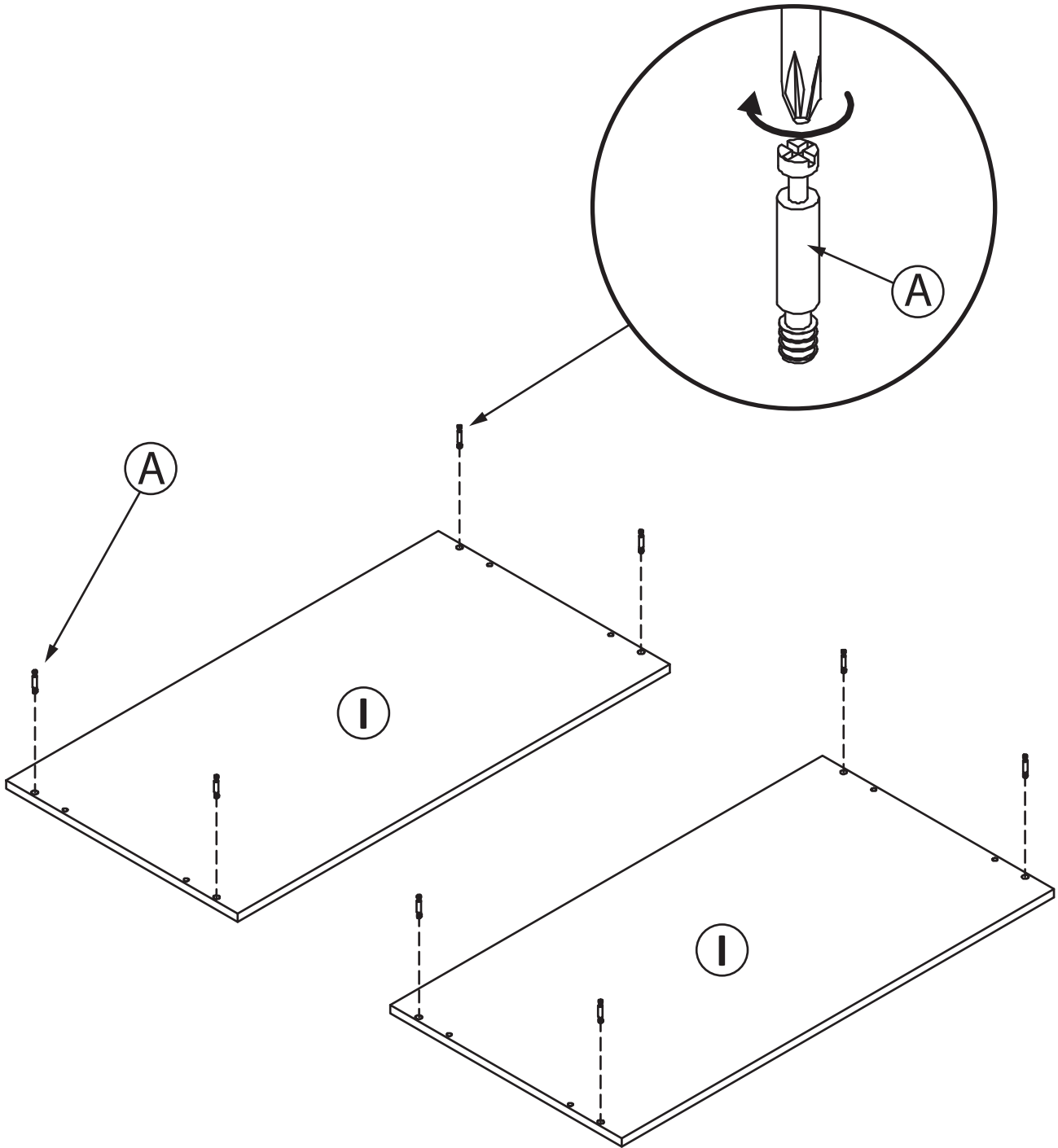


**K** Shelf  
**x3**



**Step 2.**

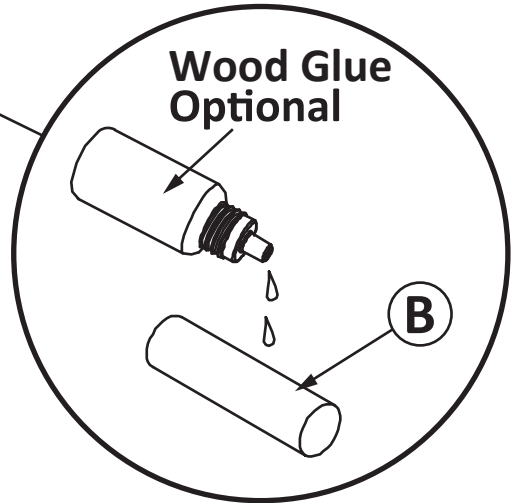
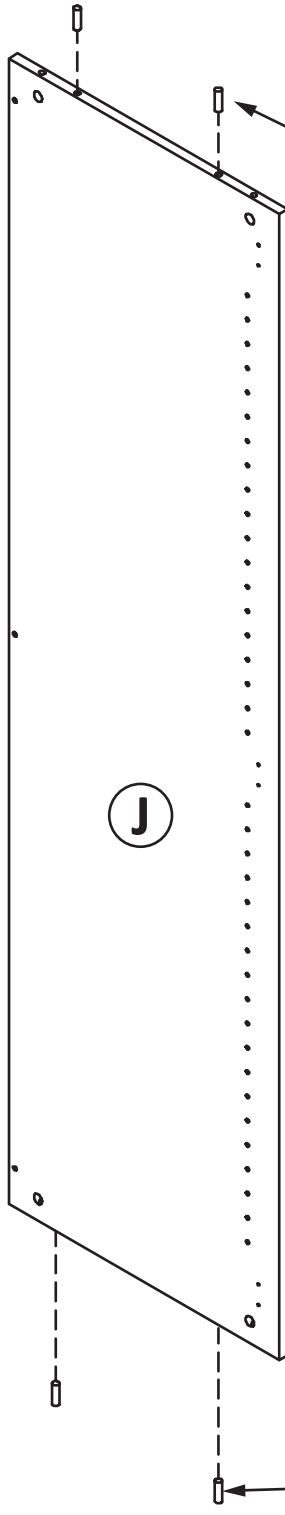
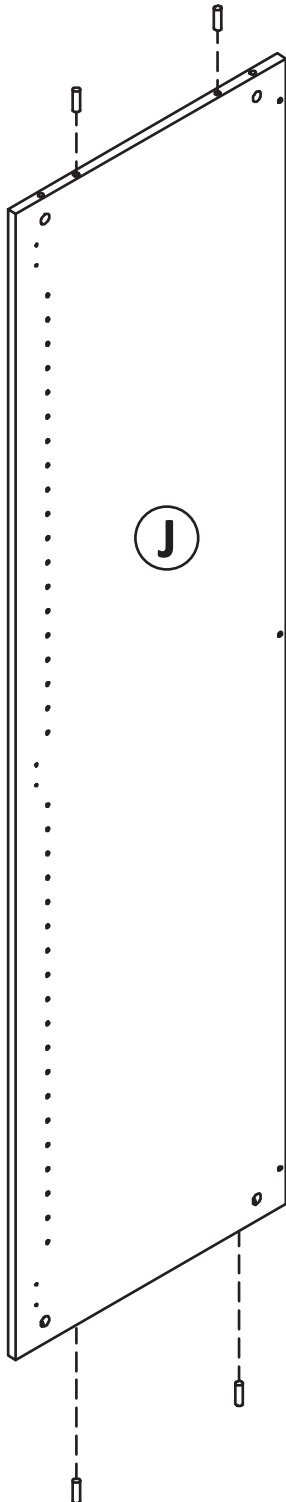
Mount Posts - Scew post into reciever holes on Top & Bottom Panel.





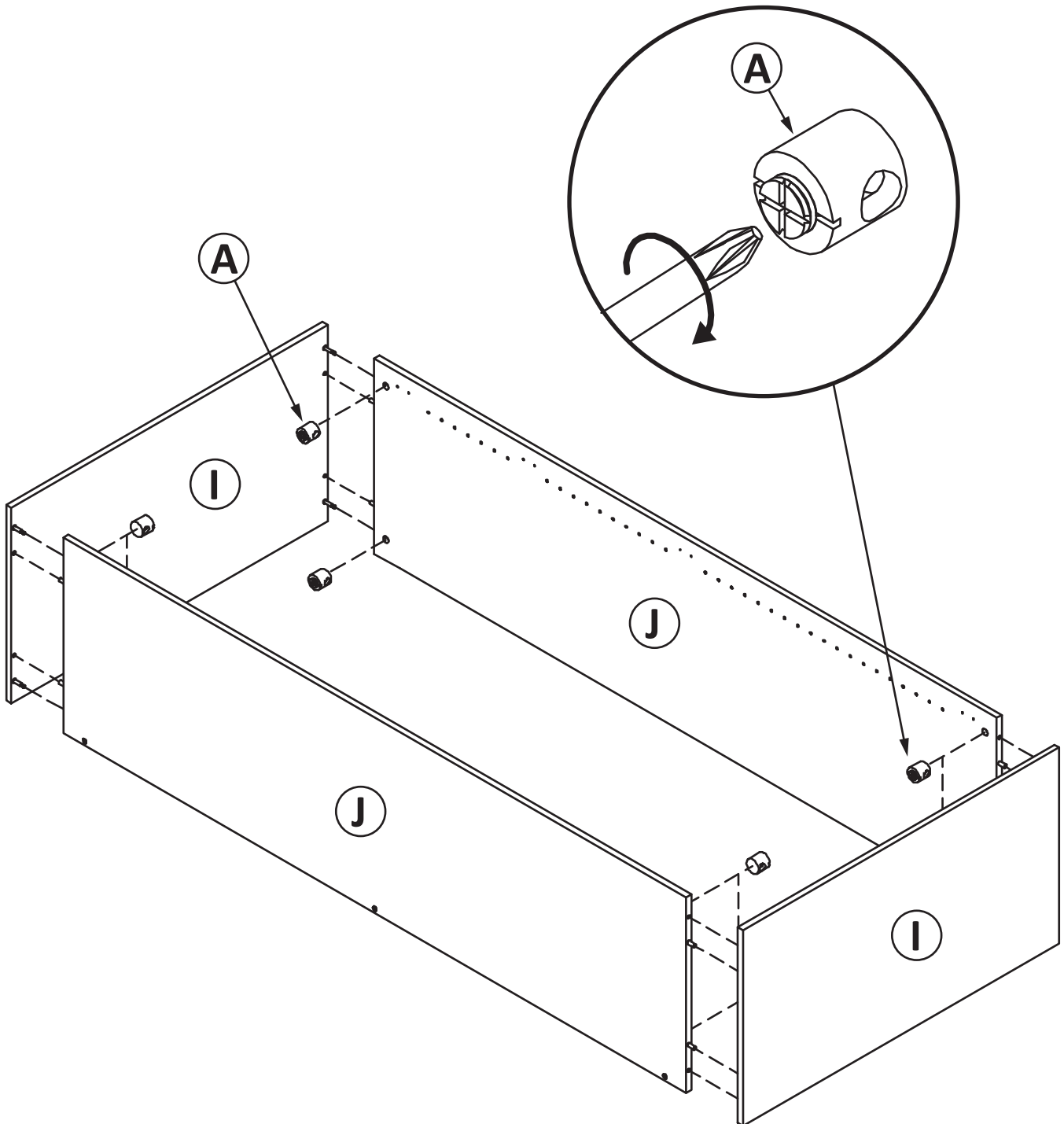
**Step 3.**

Side Panel - Glue and insert dowels into side panel.



**Step 4.**

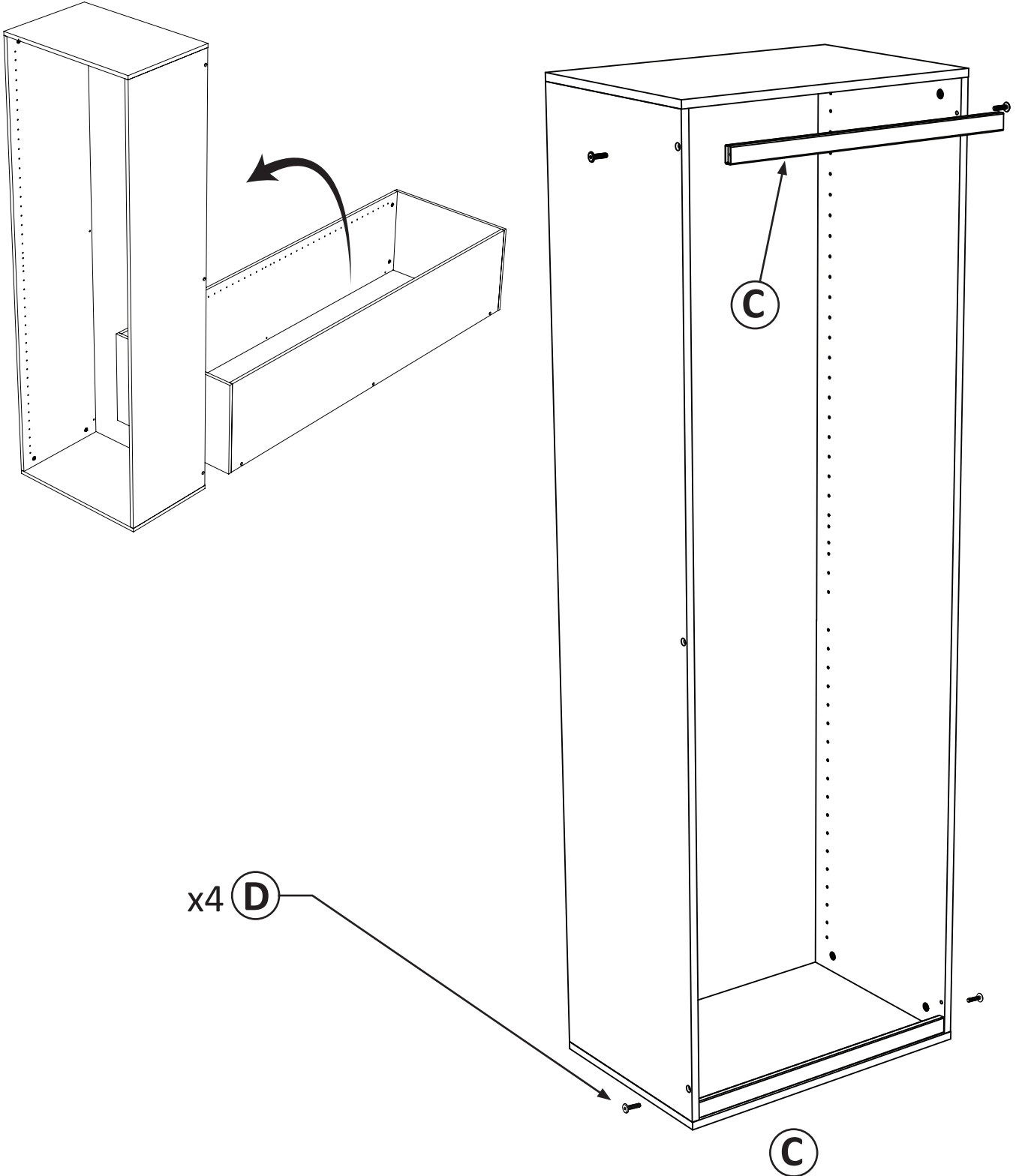
**Assemble Cabinet Body** - Use the top and bottom from Step 2 and assemble side panels. Assemble the box on its back as shown.





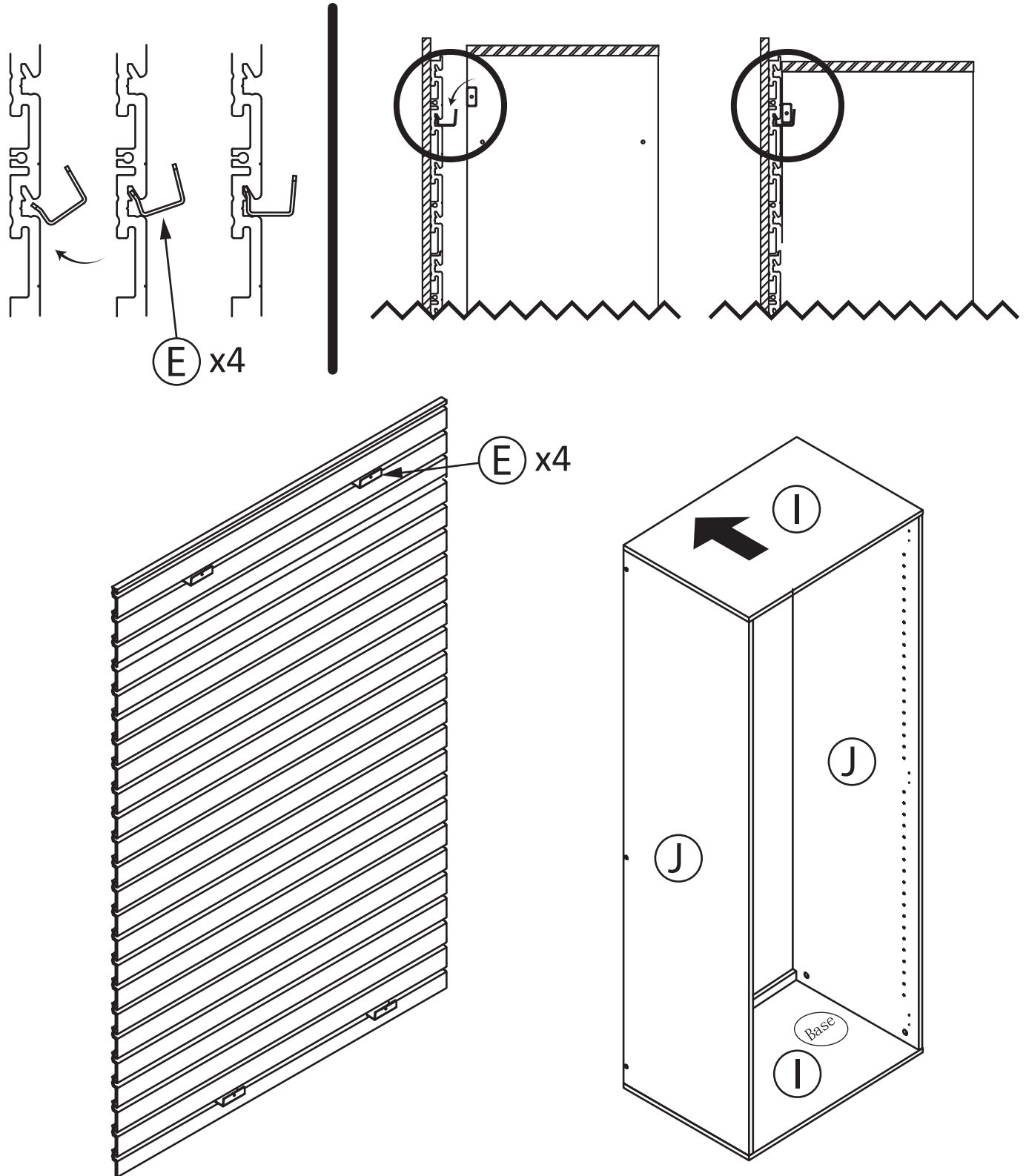
**Step 5.**

**Add Metal Spanners - Flip the cabinet body up. Add metal spanner to the back side.**



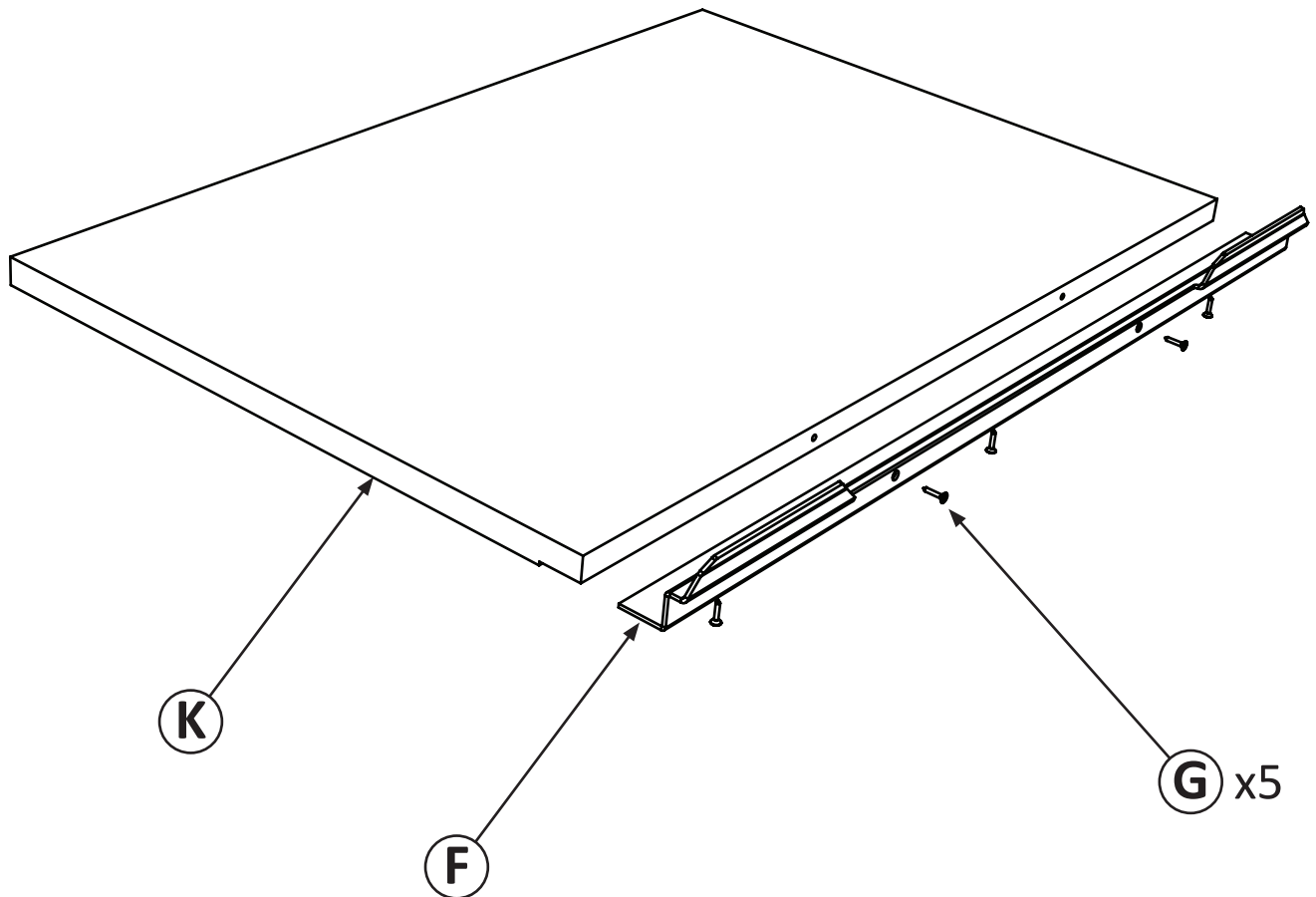
**Step 6.**

**Hang the Cabinet** - Hang the cabinet on the spanner brackets. After hanging, the cabinet can be adjusted side to side by sliding shell and brackets.



**Step 7.**

**Assemble Shelf** - Screw shelf bracket to the shelf using 5 screws.



**3X**



**Step 8.**

**Insert Shelves** - Hang the shelves from any slat on your wall in the back and then rest the front on the appropriate shelf pin.

