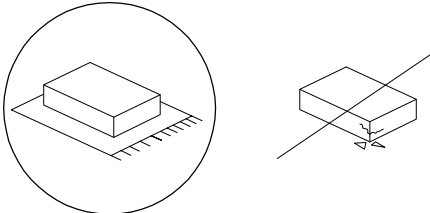
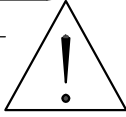
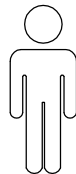
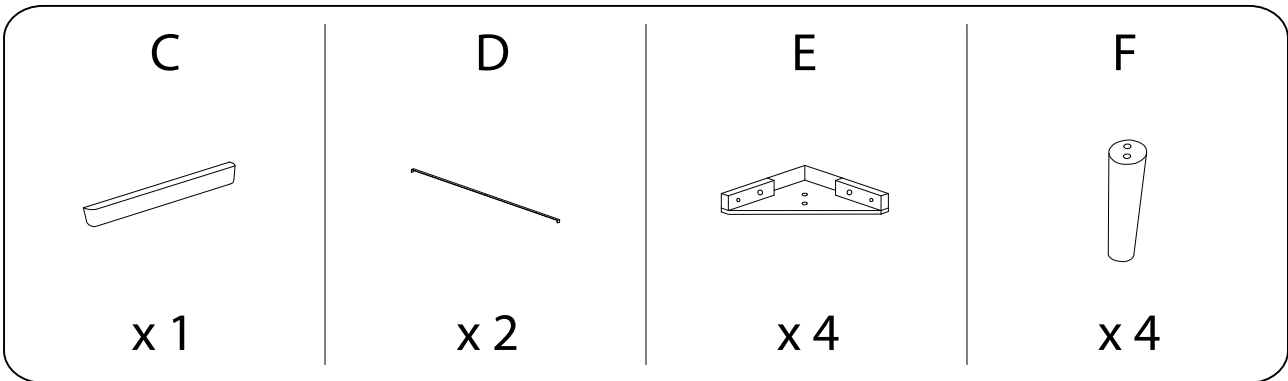
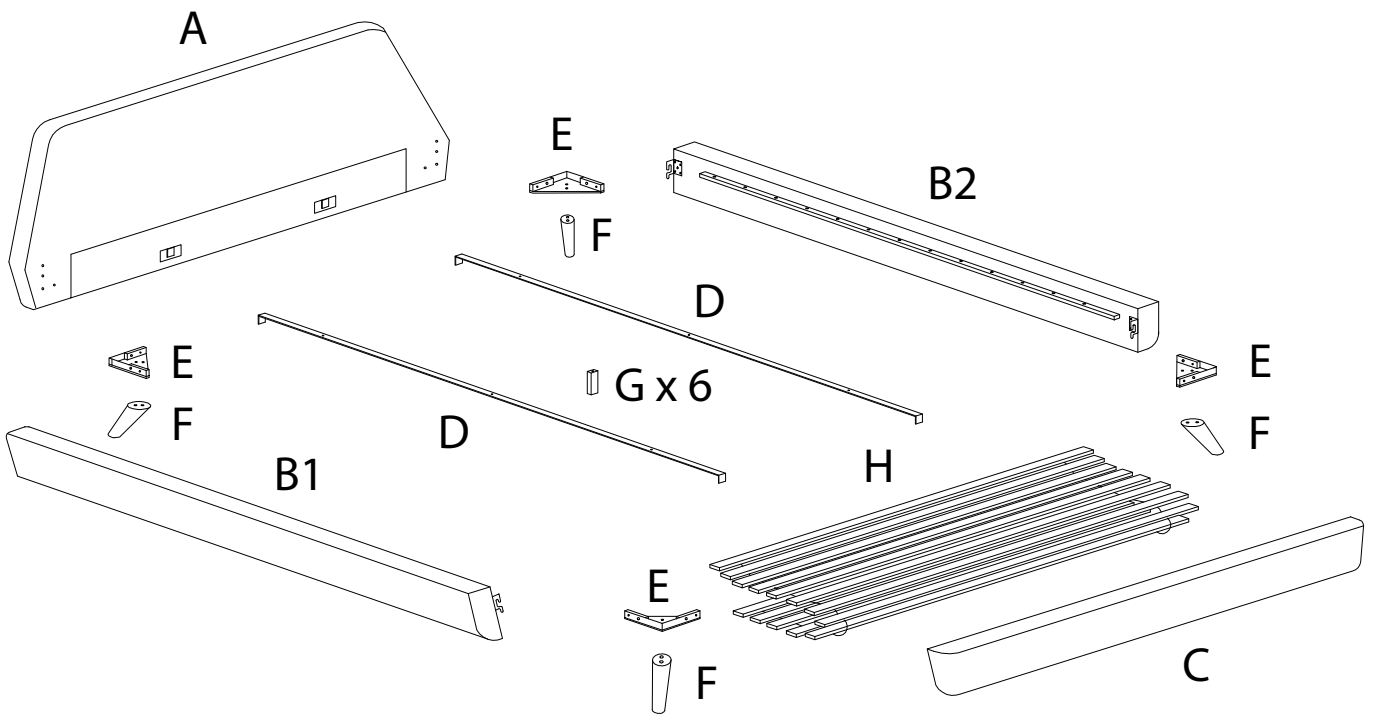
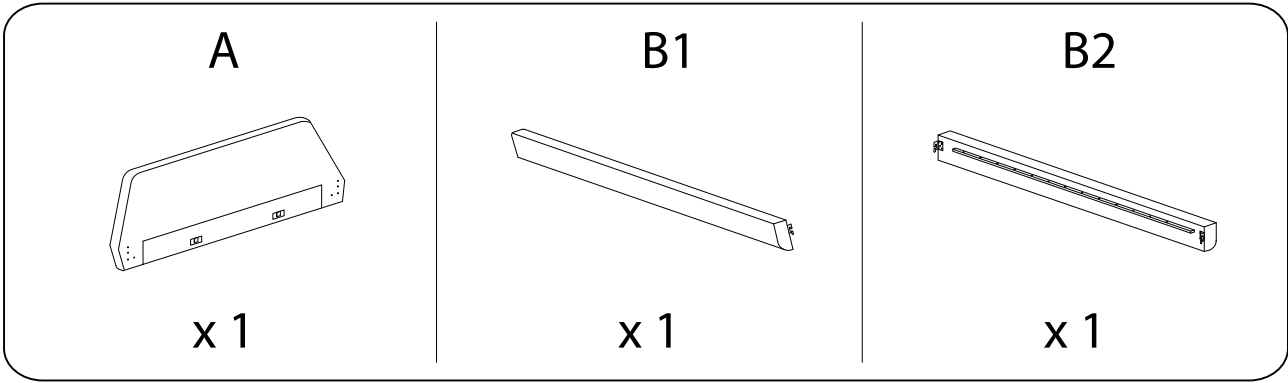

		<p>60'</p>
		
		<p>2</p>



G



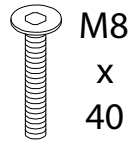
x 6

H



x 1

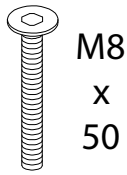
I



M8
x
40

x 8

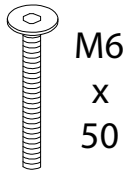
J



M8
x
50

x 8

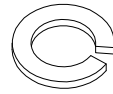
K



M6
x
50

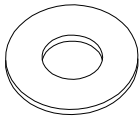
x 28

L



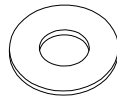
x 44

M



x 32

N



x 12

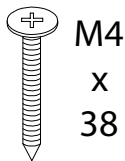
O



M4
x
30

x 46

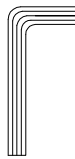
P



M4
x
38

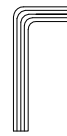
x 16

Q



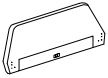
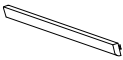





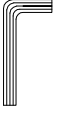
x 1

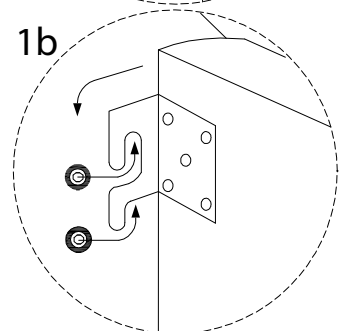
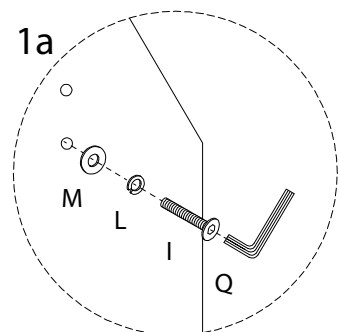
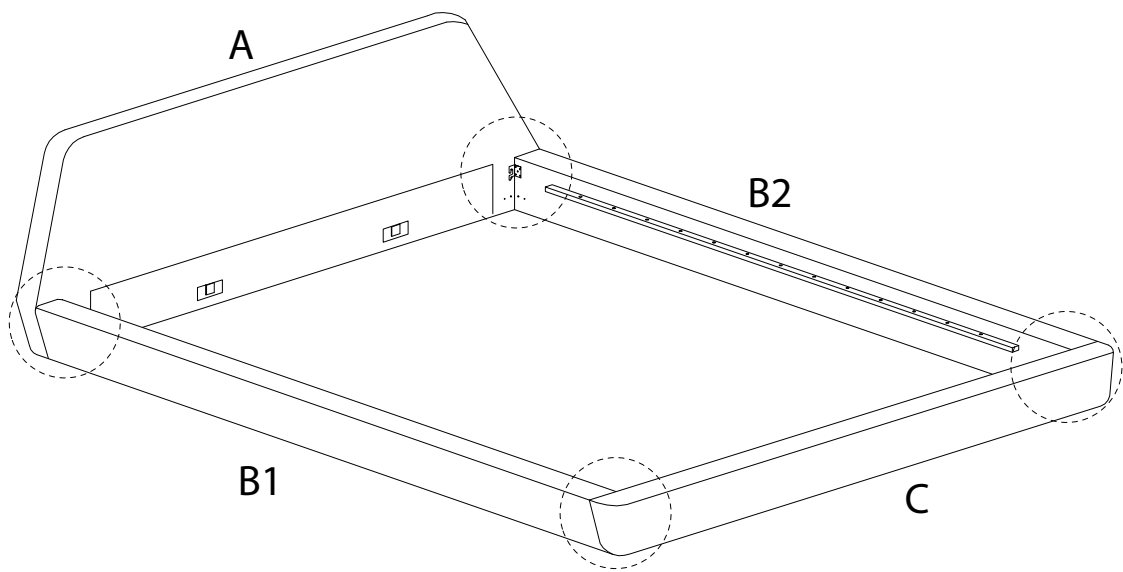
R



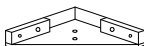
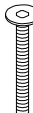

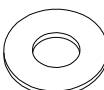
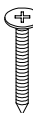
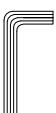
x 1

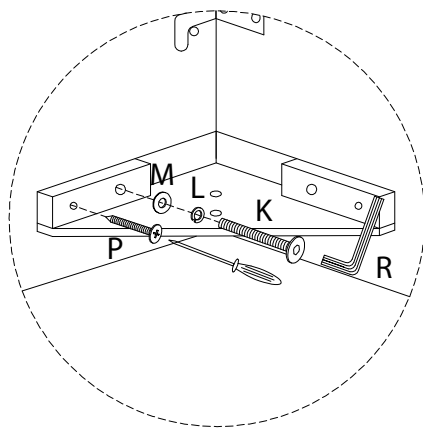
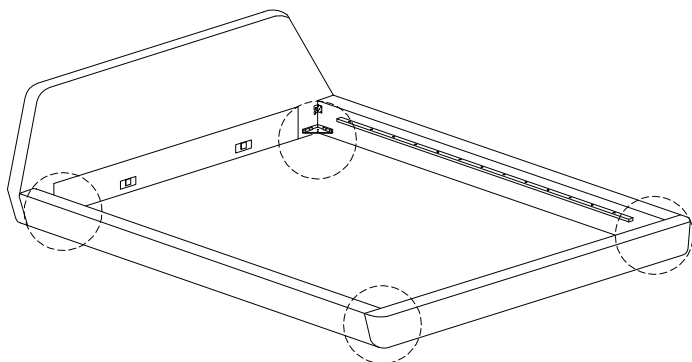
1

A  x 1	B1  x 1	B2  x 1	C  x 1
I  M8 x 40 x 8	L  x 8	M  x 8	Q  x 1




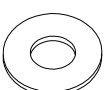



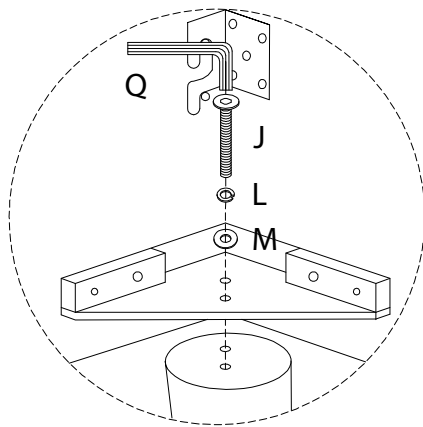
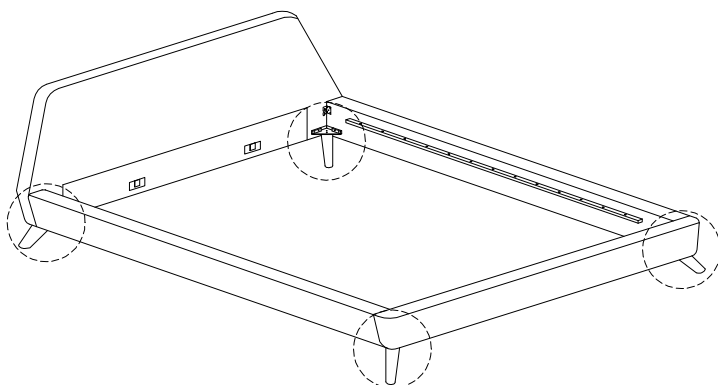
2

E  x 4	K  M6 x 50 x 16	L  x 16	M  x 16	P  M4 x 38 x 16	R  x 1
--	--	---	--	--	--

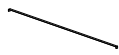

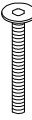
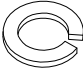

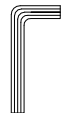


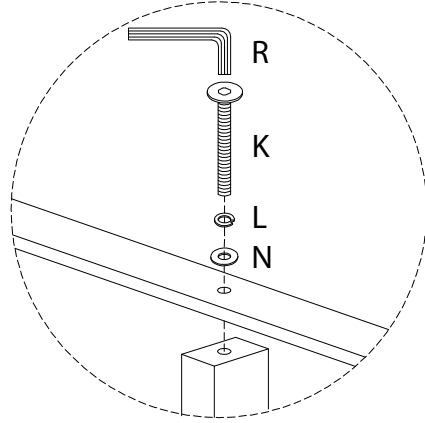
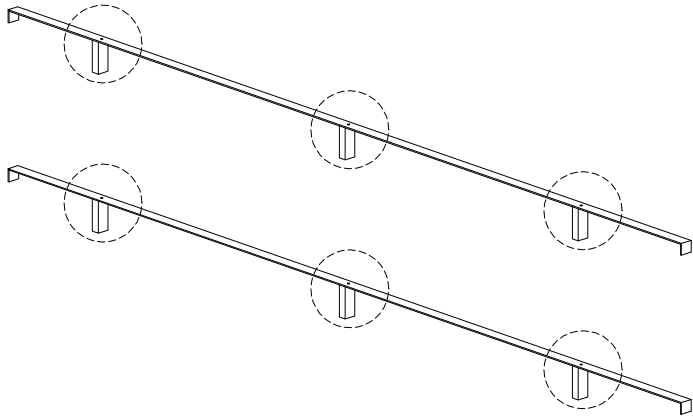
3

F  x 4	J  M8 x 50 x 8	L  x 8	M  x 8	Q  x 1
--	---	--	--	--

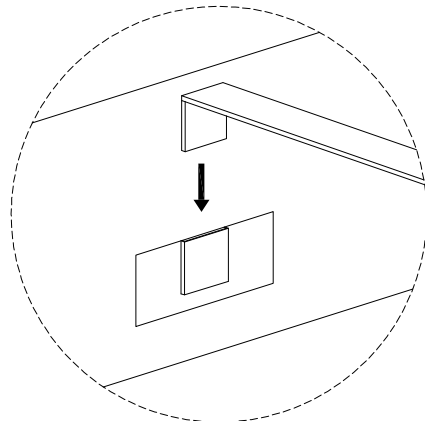
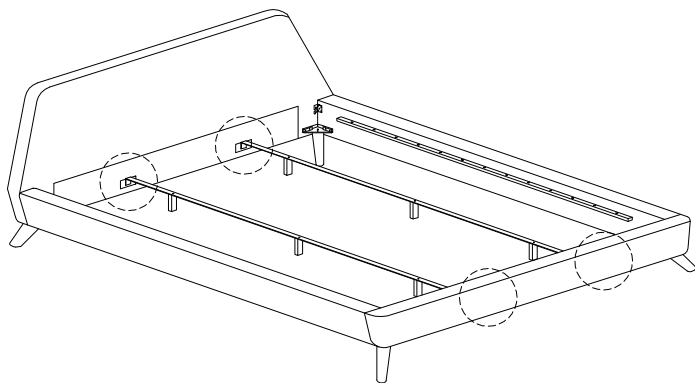


4

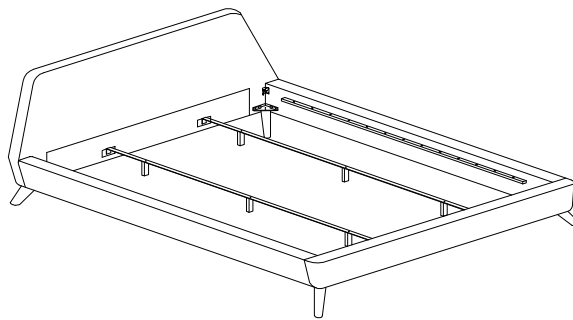
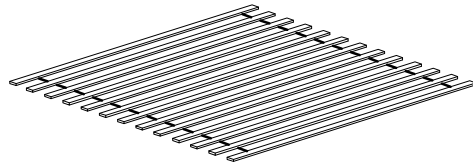
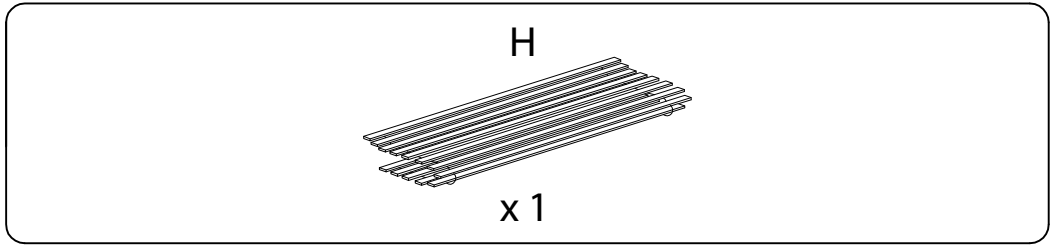
D  x 2	G  x 6	K  M6 x 50 x 6	L  x 6	N  x 6	R  x 1
--	--	---	---	--	--



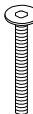


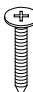
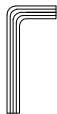
5



6



7

K  M6 x 50 x 6	L  x 6	N  x 6	O  M4 x 30 x 46	R  x 1
---	--	--	--	--

